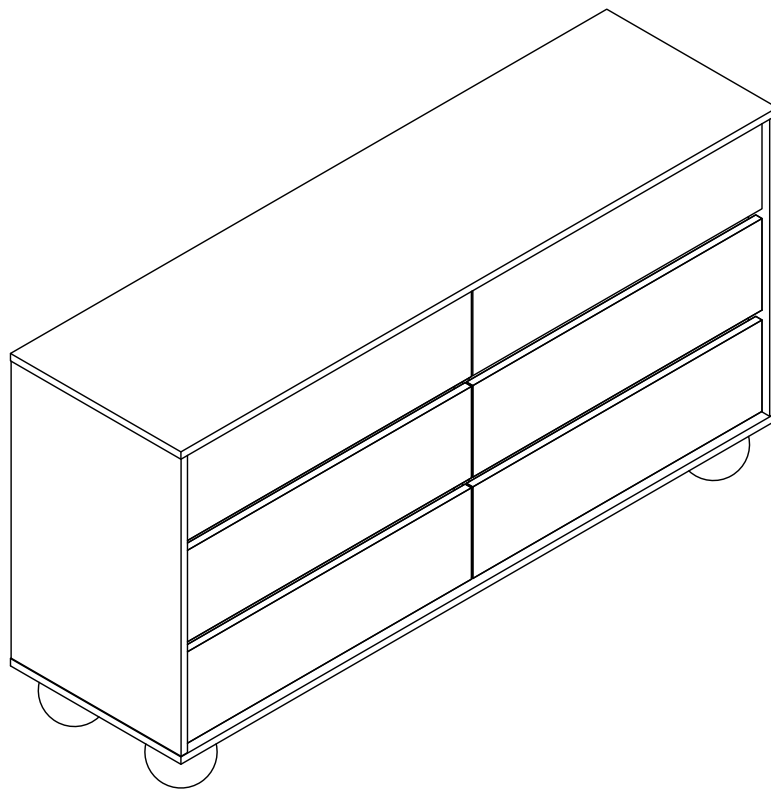


# Assembly Instructions

## Ballico Series



# Lifely\*

### Product Code

BLC-6COD-WNT 6 Chest of Drawers

### Dimensions(W x D x H)

1400x400x750mm

---

### Important

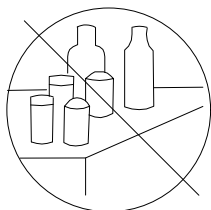
Please read through instruction carefully  
Before assembly and keep for future reference.

For our full catalogue of assembly instructions,  
Visit: [lifely.com.au/assembly](http://lifely.com.au/assembly).

## Important Tips and Maintenance



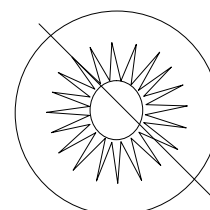
1. Keep children and animals away from working area as smaller parts may cause choking if swallowed.



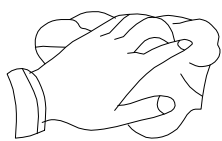
2. Never place liquids or anything damp upon furniture as it will mark. Ensure a coaster or running is beneath.



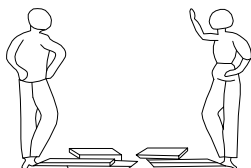
3. Never use ammonia based cleaning products as it will damage the finish.



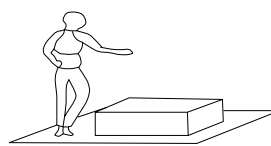
4. To avoid fading, keep furniture out of direct sunlight.



5. Use a soft or dry cloth when wiping or cleaning surfaces.



6. Two person are required.



7. Lay a soft matt down to protect the furniture piece before and during assembly.

So your relationship is strong. But is it flat-pack furniture strong? Unless you're an aerospace engineer, assembling furniture can be slightly stressful. We recommend meditating quietly, pouring yourself a herbal tea (or slightly less herbal wine) and tackling things one step at a time. If you feel a passive aggressive remark coming on, try a compliment instead. E.g. "You're so good looking"

This 14-step assembly should take around 70 minutes with an Allen Key - or 50 minutes with an electric drill. Godspeed.

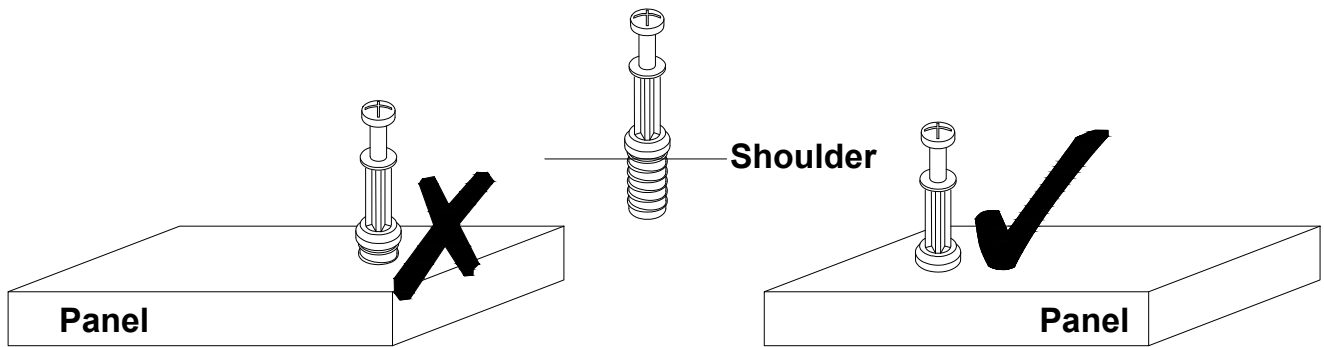
Designed for everyday

# Before Assembly

## Tips Before Your Start:

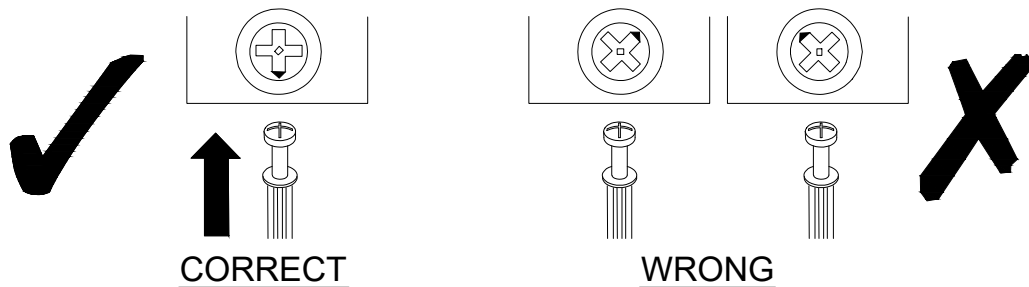
- Remove all wrapping material, including staples & packing straps before you start to assemble.
- DO NOT tighten all screws and bolts until completely assembled.
- Keep all hardware parts out of reach of children.

## QUICKFIT



Tighten quickfit until shoulder is flush with panel. Do not overtighten or undertighten.

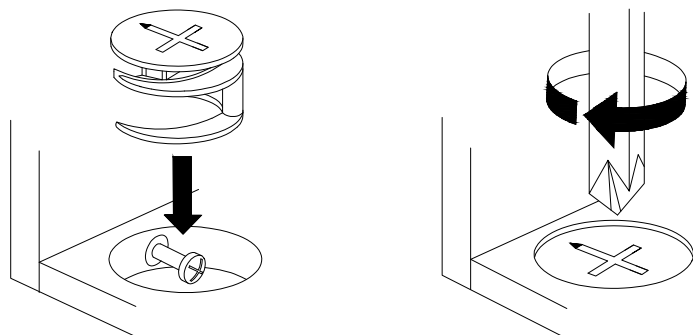
## CAM LOCK



When fitting cam lock, ensure starting position is correct before you insert connecting quickfit.

Quickfit head should be in the centre of the cam lock when the two panels are joined.

Cam lock should be inserted before quickfit.

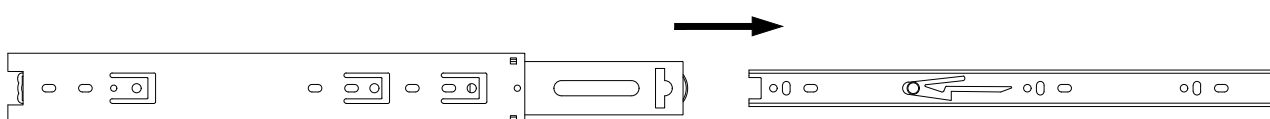
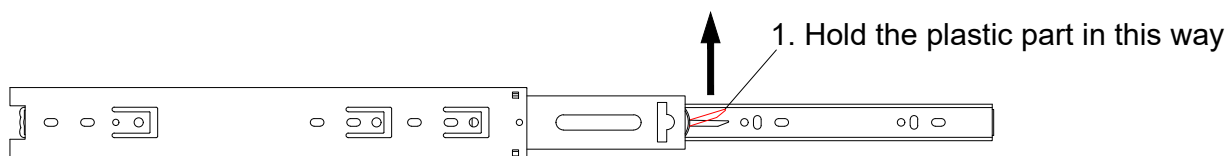


Turn cam lock clockwise to tighten.

# Before Assembly

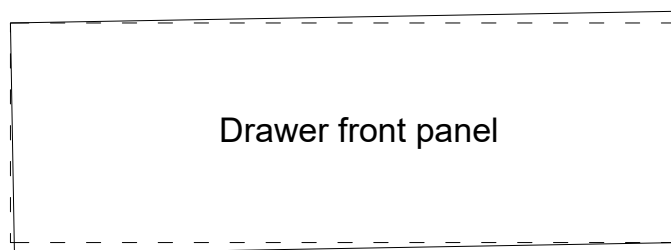
## Tips Before Your Start

### How to separate the drawer slider:

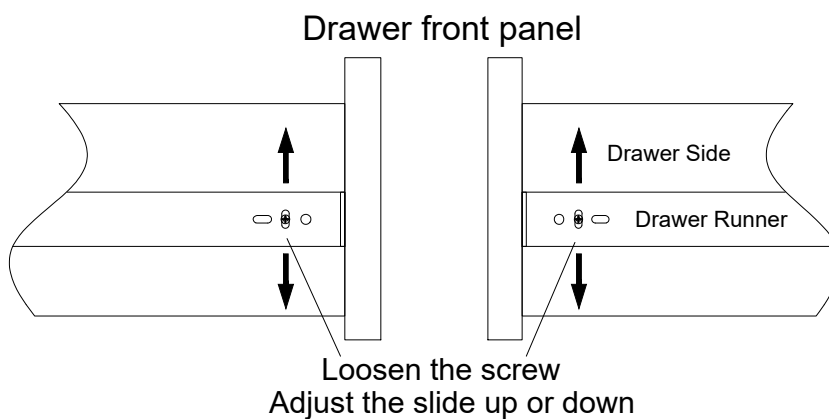


2. Pull out the inner slider for drawer box fixing

## Drawer Front Alignment



If the drawer front panel is NOT level after being assembled, then...



## Hardware is in box 1

Please check you have all the fittings part or tools are listed in below.

### No. A

Quantity:68Pcs  
Cam Lock Dowel  
8\*28mm



### No. B

Quantity:24Pcs  
Dowel  
8\*30mm



### No. C

Quantity:68Pcs  
Cam  
φ15



### No. D

Quantity:4Pcs  
Screw  
M8\*40



### No. E

Quantity:1Pc  
Adjustable foot pad  
M6



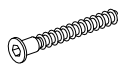
### No. F

Quantity:4 Pcs  
Screw  
4\*25mm



### No. G

Quantity:10Pcs  
Screw  
M6\*50



### No. H

Quantity:1 Pc  
Allen Key  
4#



### No. I

Quantity:1 Pc  
Allen Key  
5#



### No. J

Quantity:68 Pcs  
Sticker



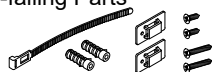
### No. K

Quantity:4 Pcs  
Foot Pad  
φ25



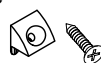
### No. L

Quantity:2Sets  
Anti-falling Parts



### No. M

Quantity:8 Pcs  
Plastic Wedge  
3.5\*15mm



### No. N

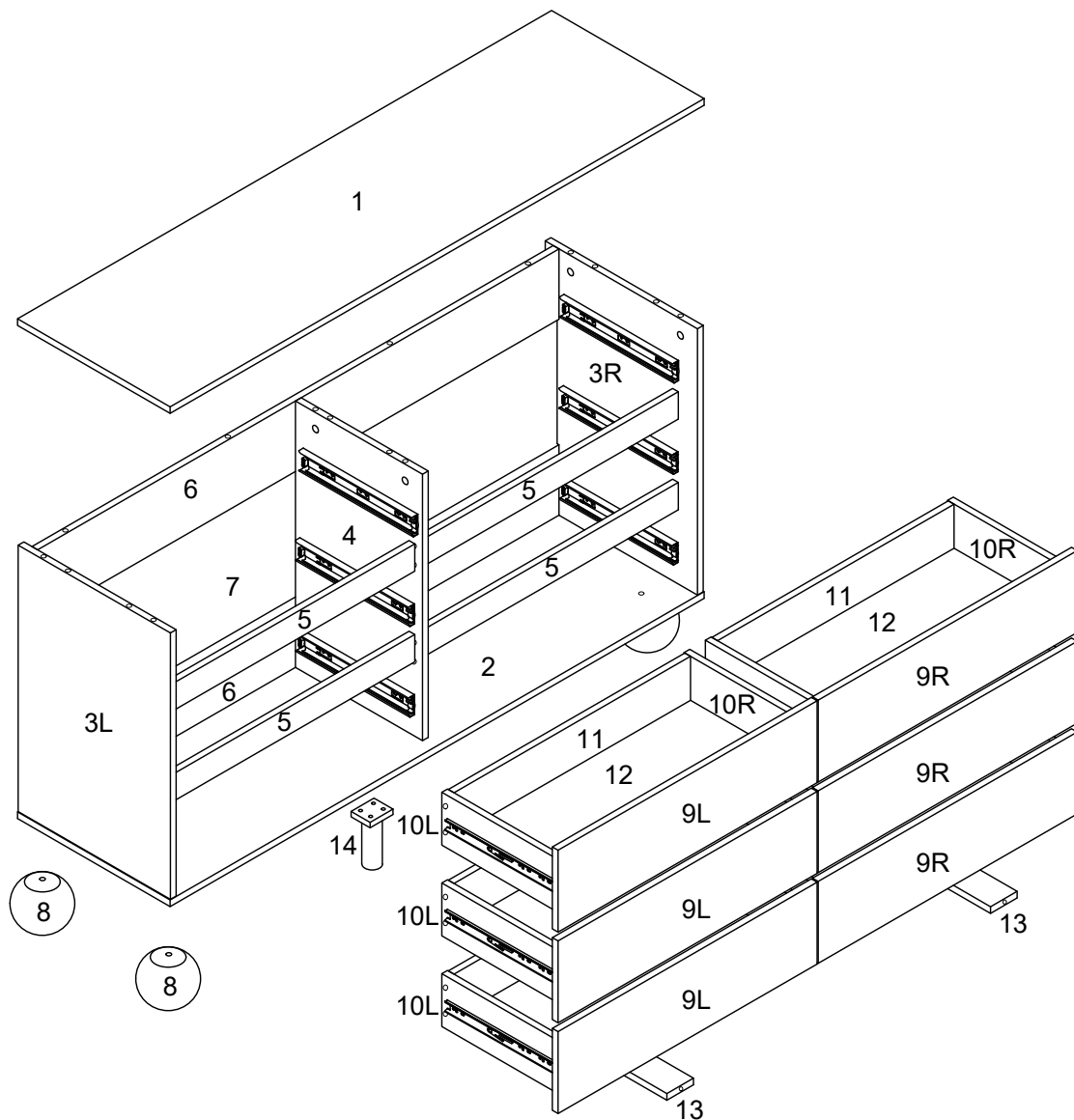
Quantity:36 Pcs  
Screw  
4\*35mm



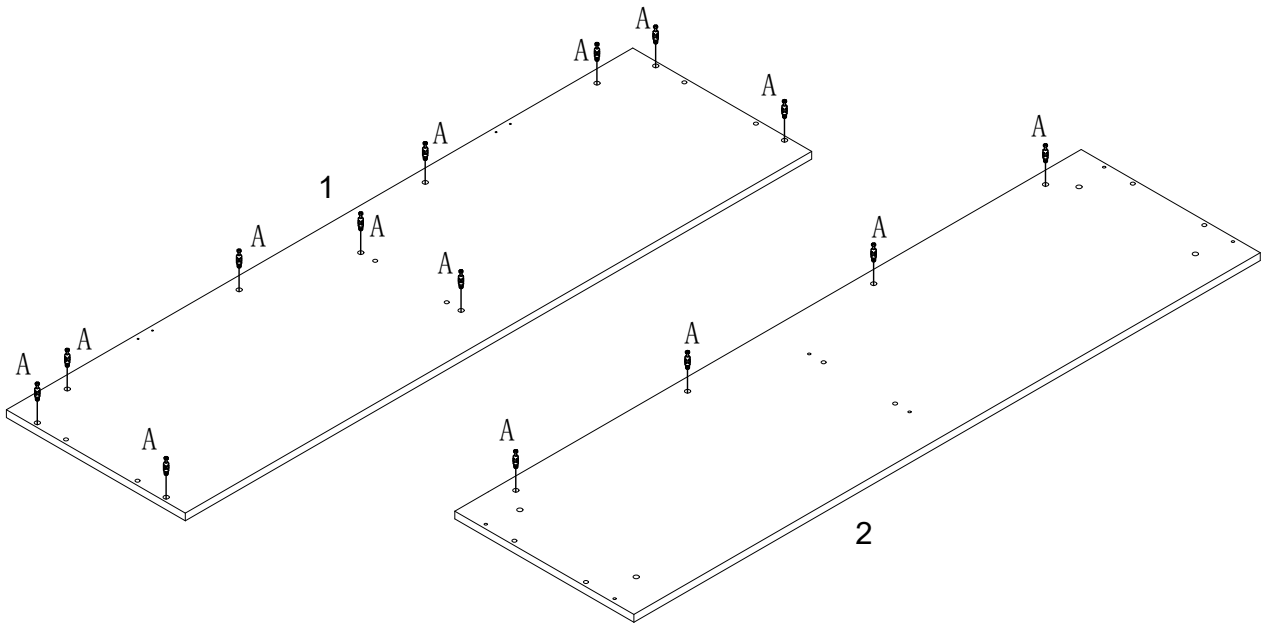
## Component Panels & part List

Please check you have all the panels are listed below.

- |                              |            |                               |                    |
|------------------------------|------------|-------------------------------|--------------------|
| 1. TOP PANEL .....           | x1 CTN 2/3 | 9L. LEFT DOOR PANEL .....     | x3 CTN 1/3=1 2/3=2 |
| 2. BOTTOM PANEL .....        | x1 CTN 1/3 | 9R. RIGHT DOOR PANEL .....    | x3 CTN 1/3=1 2/3=2 |
| 3L. SIDE PANEL-LEFT .....    | x1 CTN 2/3 | 10L. DRAWER SIDE_LEFT .....   | x6 CTN 2/3         |
| 3R. SIDE PANEL-RIGHT .....   | x1 CTN 2/3 | 10R. DRAWER SIDE_RIGHT .....  | x6 CTN 2/3         |
| 4. CENTRE PANEL_MIDDLE ..... | x1 CTN 1/3 | 11. DRAWER BACK PANEL .....   | x6 CTN 1/3=4 2/3=2 |
| 5. SHIRT PANEL .....         | x4 CTN 2/3 | 12. DRAWER BOTTOM PANEL ..... | x6 CTN 1/3         |
| 6. BACK PANEL .....          | x2 CTN 2/3 | 13. DRAWER BRACE .....        | x6 CTN 1/3=4 2/3=2 |
| 7. BACK PANEL .....          | x1 CTN 1/3 | 14. MIDDLE LEG .....          | x1 CTN 3/3         |
| 8. LEG .....                 | x4 CTN 2/3 |                               |                    |



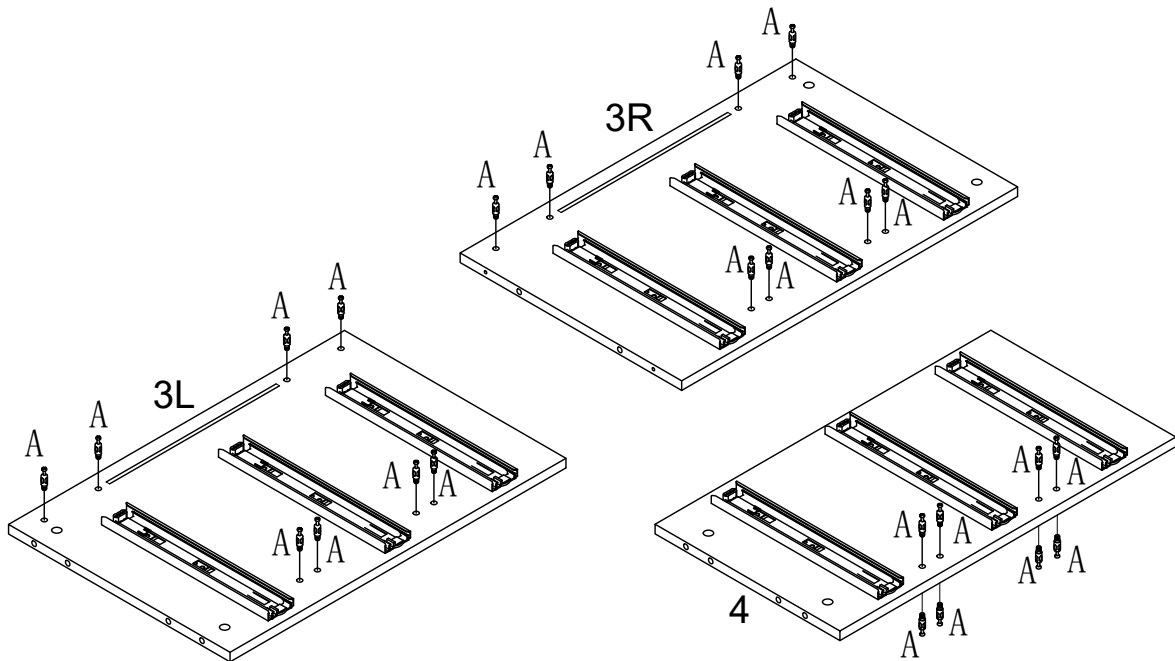
# STEP 1



No. A  
Quantity: 14Pcs  
Cam Lock Dowel  
8\*28mm



# STEP 2

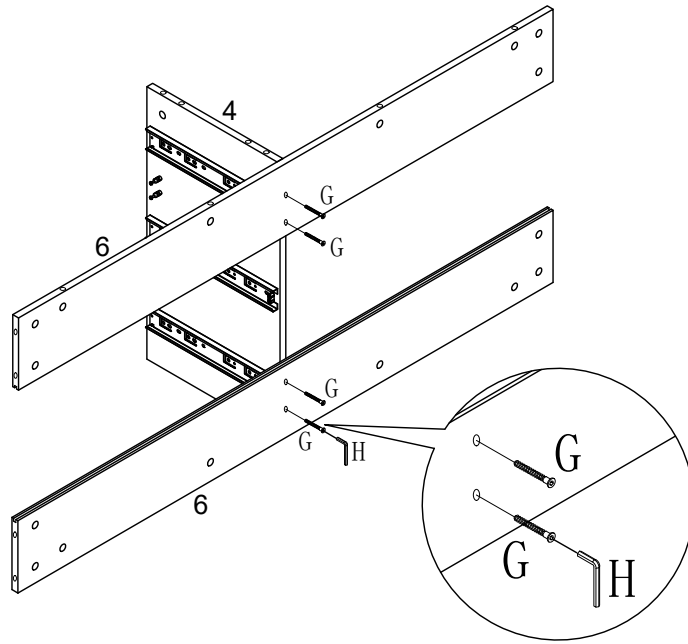


No. A  
Quantity: 24Pcs  
Cam Lock Dowel  
8\*28mm

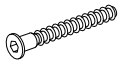




### STEP 3



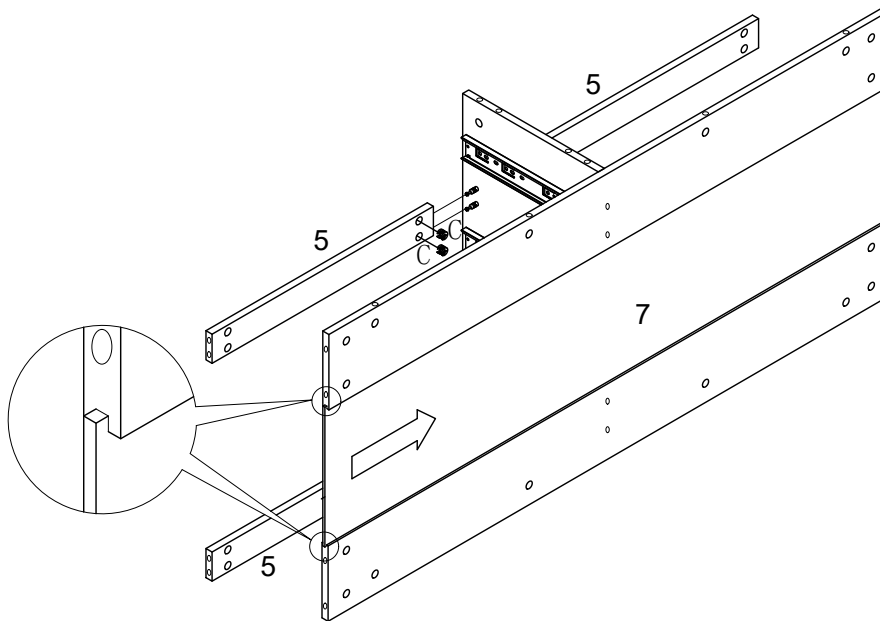
No. G  
Quantity:4Pcs  
Screw  
M6\*50



No. H  
Quantity:1 Pc  
Allen Key  
4#



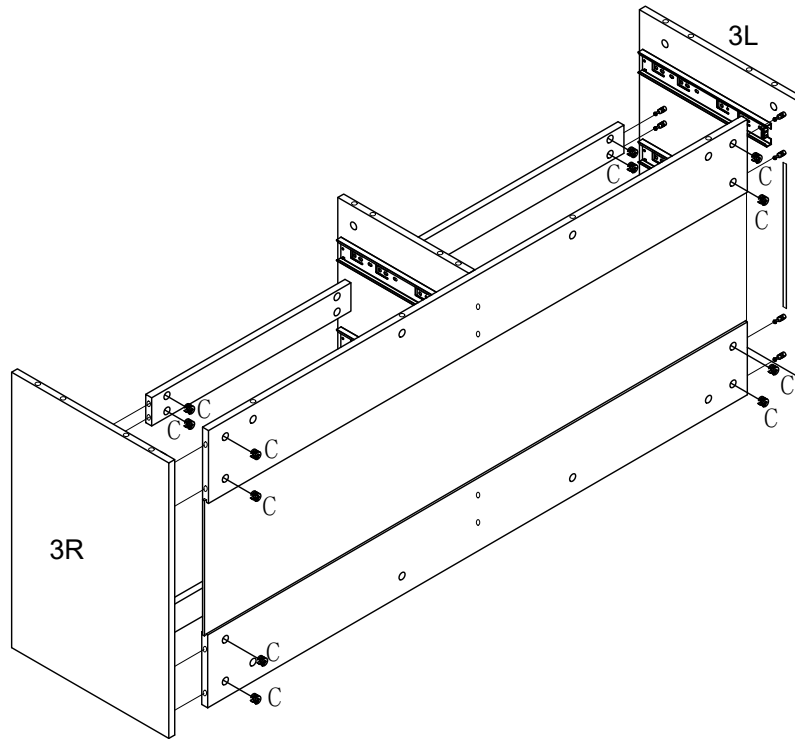
### STEP 4



No. C  
Quantity:8Pcs  
Cam  
 $\phi 15$



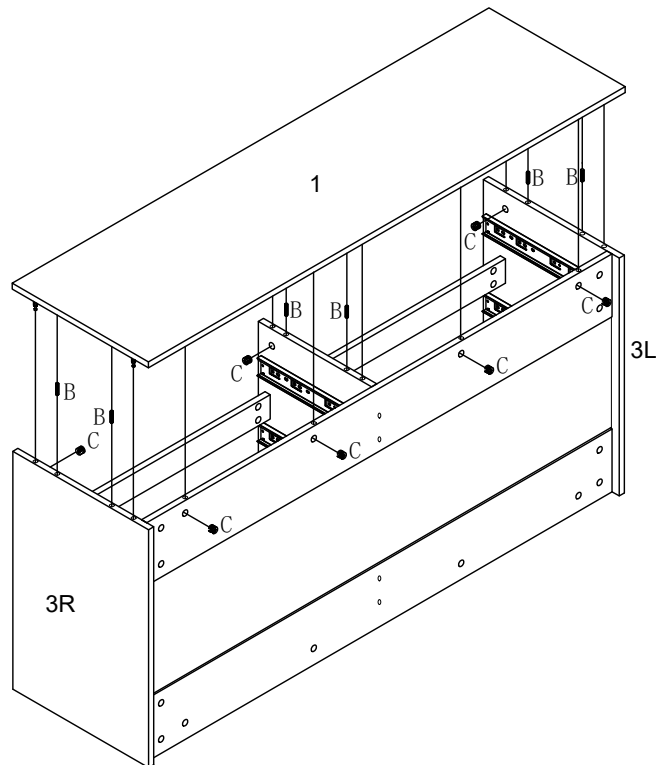
## STEP 5



No. C  
Quantity: 16Pcs  
Cam  
 $\phi 15$



## STEP 6



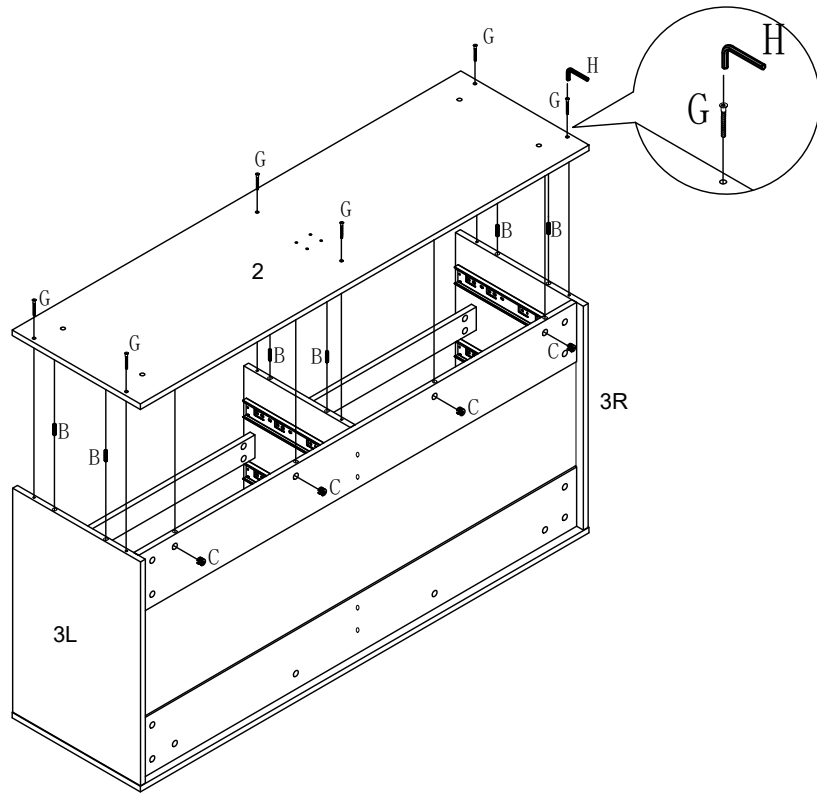
No. B  
Quantity: 6Pcs  
Dowel  
8\*30mm



No. C  
Quantity: 10Pcs  
Cam  
 $\phi 15$



# STEP 7



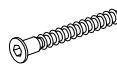
**No. B**  
Quantity: 6Pcs  
Dowel  
8\*30mm



**No. C**  
Quantity: 4Pcs  
Cam  
φ15



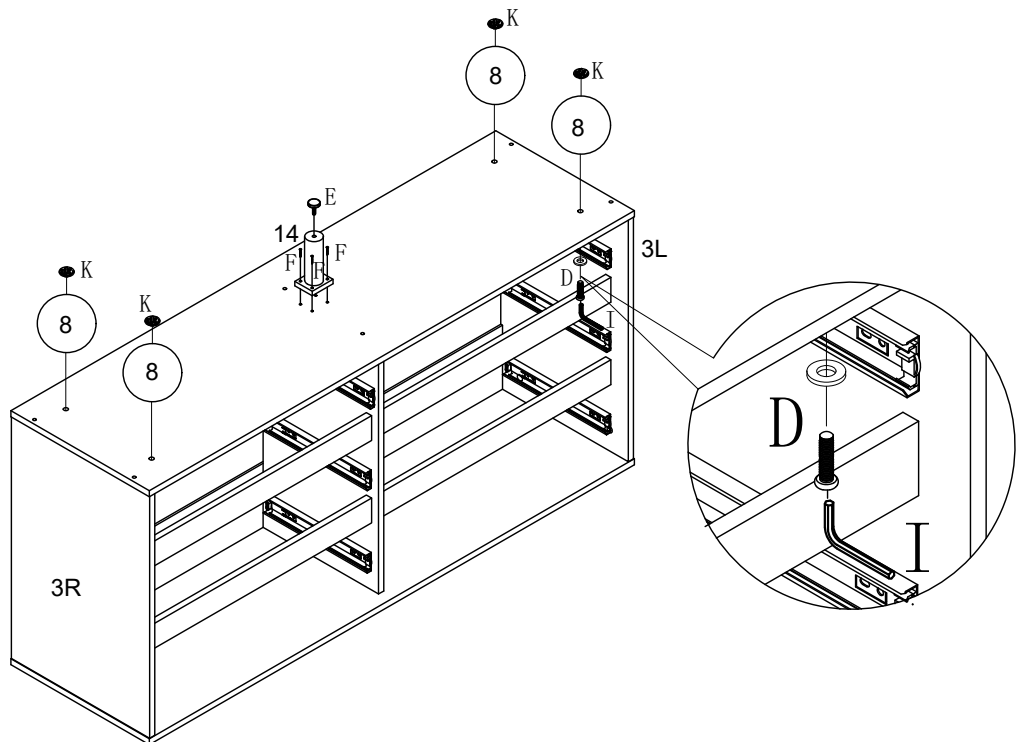
**No. G**  
Quantity: 6Pcs  
Screw  
M6\*50



**No. H**  
Quantity: 1 Pc  
Allen Key  
4#



# STEP 8



**No. D**  
Quantity: 4Pcs  
Screw  
M8\*40



**No. E**  
Quantity: 1 Pc  
Adjustable foot pad  
M6



**No. F**  
Quantity: 4 Pcs  
Screw  
4\*25mm



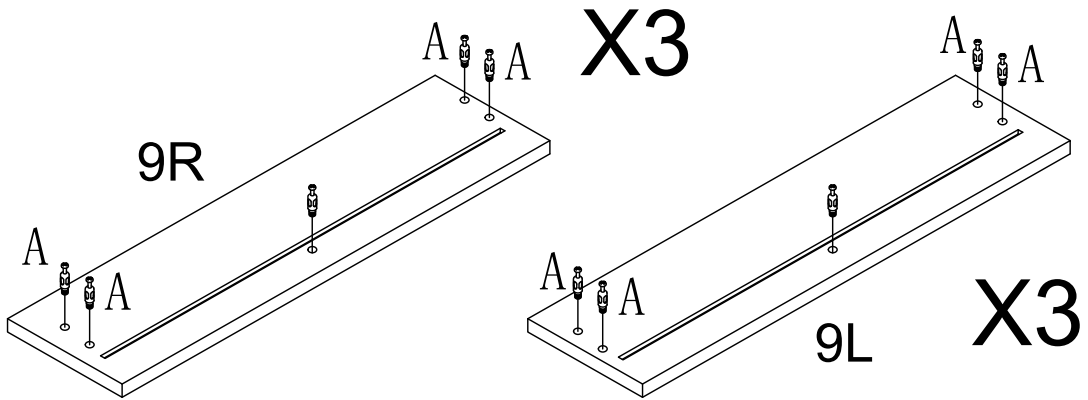
**No. I**  
Quantity: 1 Pc  
Allen Key  
5#



**No. K**  
Quantity: 4 Pcs  
Foot Pad  
φ25



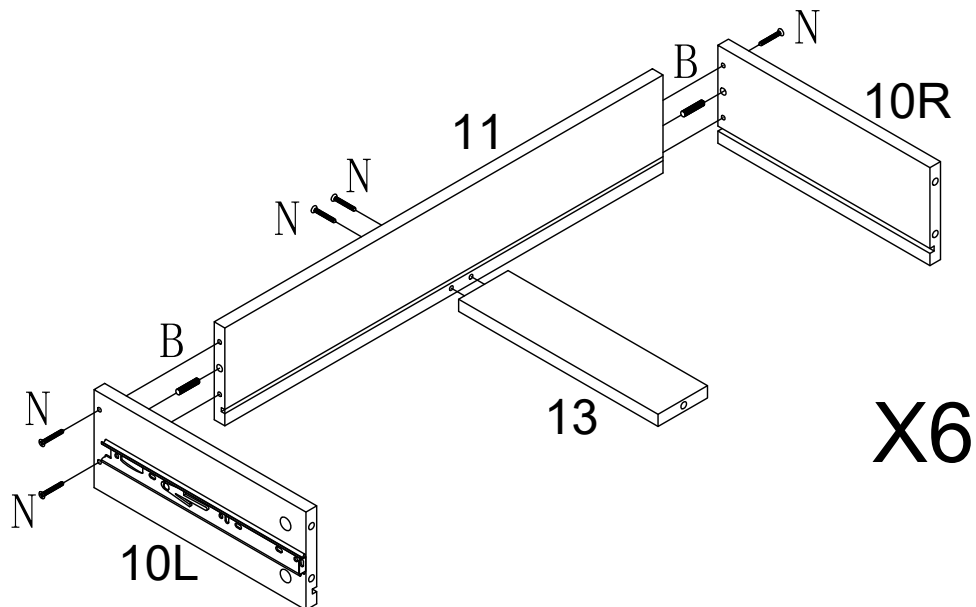
# STEP 9



No. A  
Quantity:30Pcs  
Cam Lock Dowel  
8\*28mm



# STEP 10



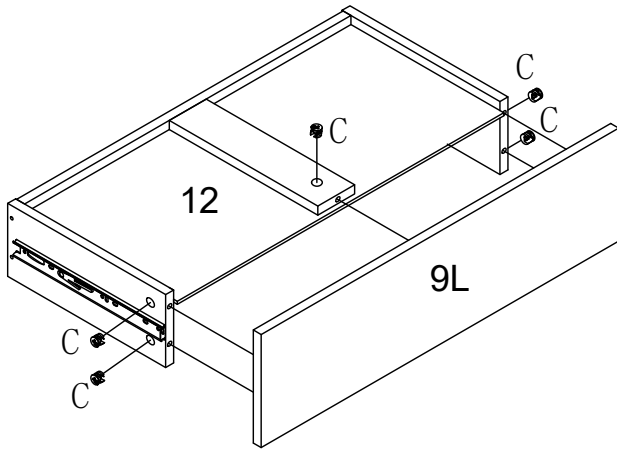
No. N  
Quantity:36 Pcs  
Screw  
4\*35mm



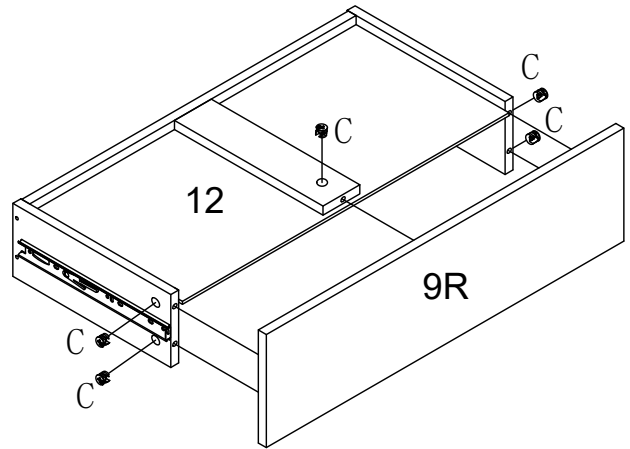
No. B  
Quantity:12Pcs  
Dowel  
8\*30mm



# STEP 11



X3

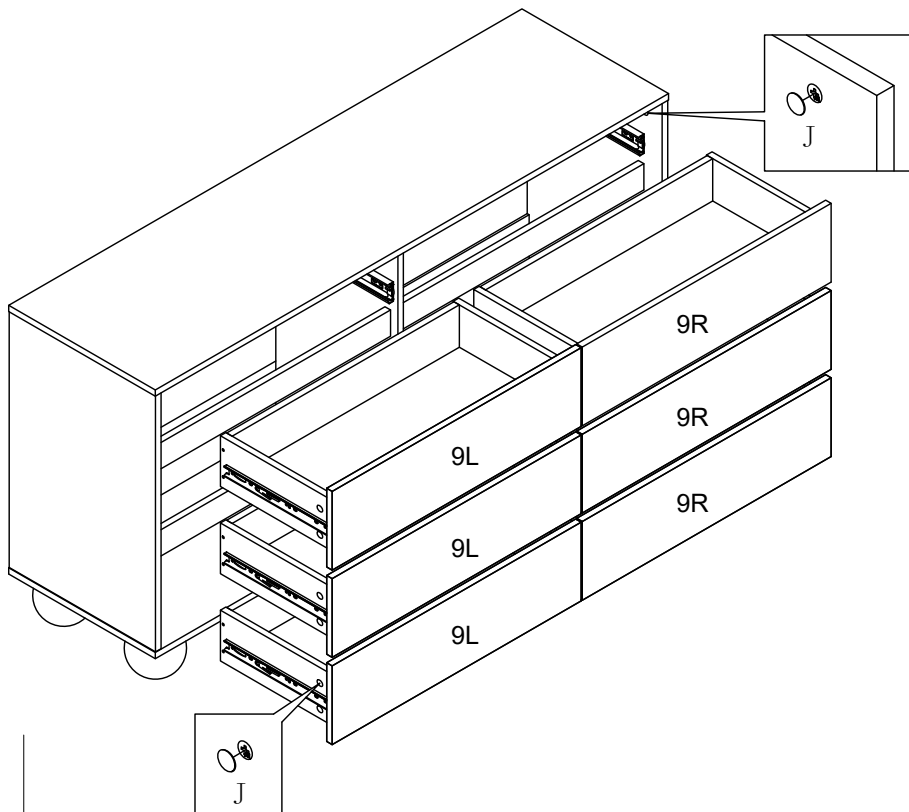


X3

No. C  
Quantity:30Pcs  
Cam  
φ15



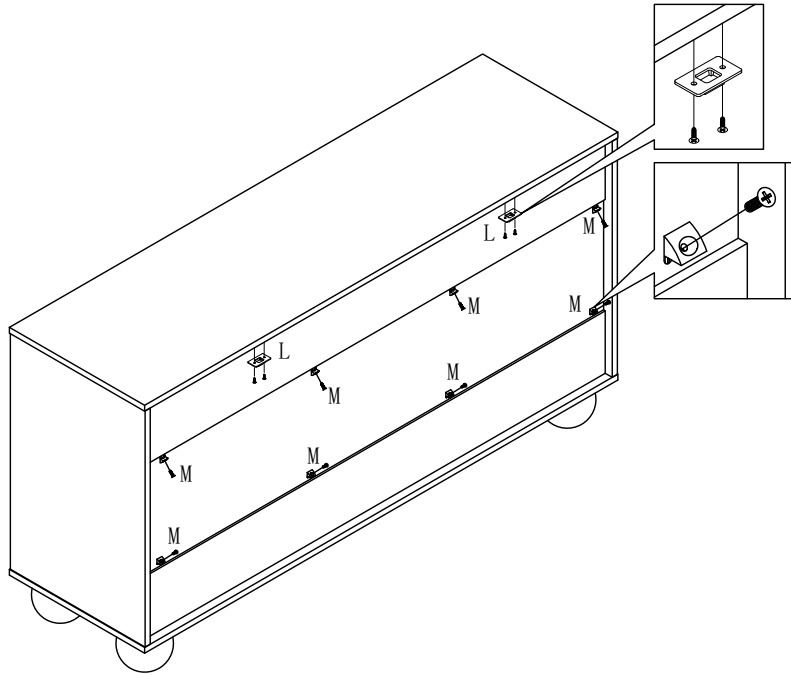
# STEP 12



No. J  
Quantity:68 Pcs  
Sticker

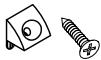


# STEP 13



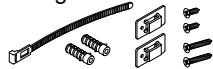
No. M

Quantity: 8 Pcs  
Plastic Wedge  
3.5\*15mm

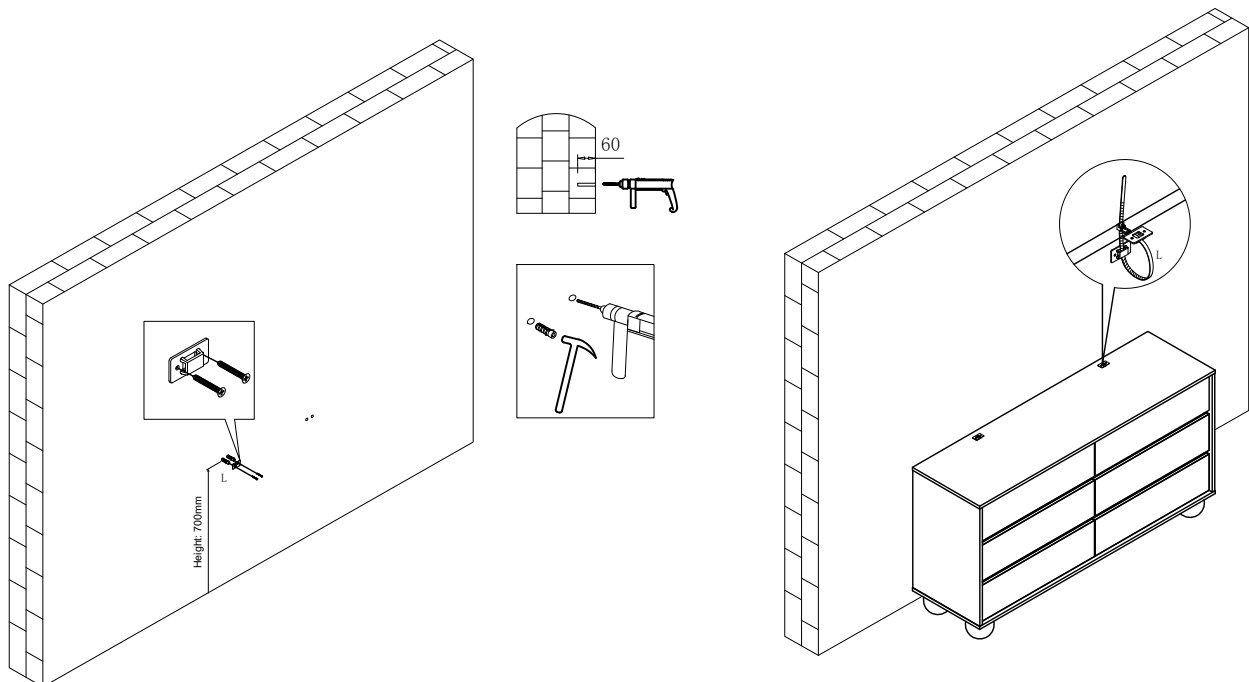


No. L

Quantity: 2 Sets  
Anti-falling Parts



# STEP 14



lifely.com.au

Great job. You're done!

Don't forget to share how it looks in  
your space and tag us on Instagram.  
@lifelyhome#homewithlifely!