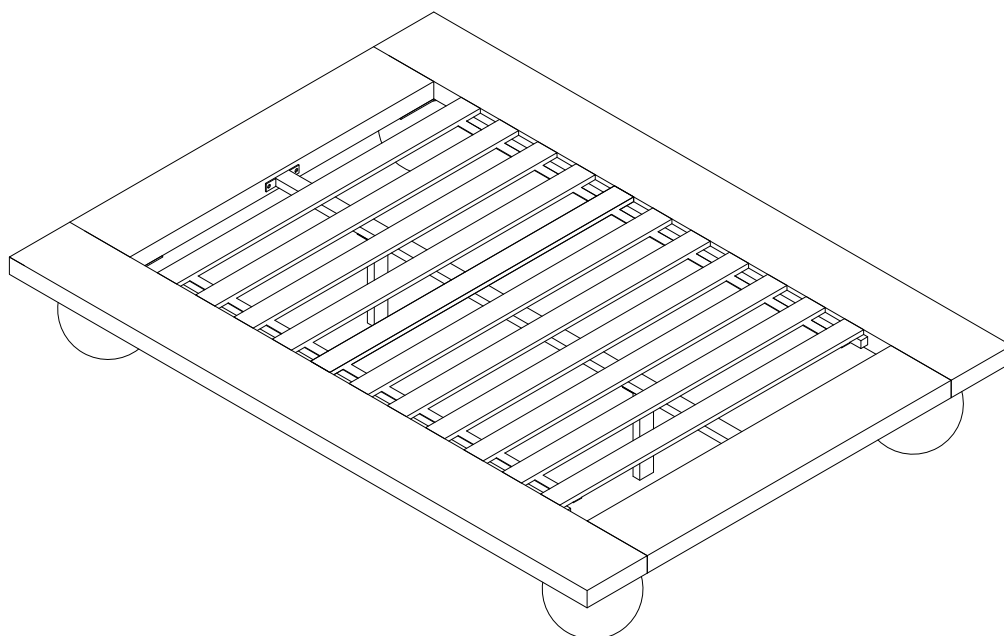


Assembly Instructions

Ballico Series



Lifely*

Product Code

BLC-BBK-OAK Ballico Bed Base King

BLC-BBQ-OAK Ballico Bed Base Queen

Dimensions(W x D x H)

1870x2070x325mm

1570x2060x305mm

Important

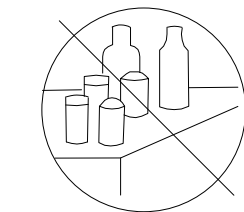
Please read through instruction carefully
Before assembly and keep for future reference.

For our full catalogue of assembly instructions,
Visit: lifely.com.au/assembly.

Important Tips and Maintenance



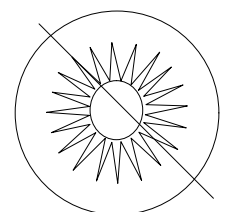
1. Keep children and animals away from working area as smaller parts may cause choking if swallowed.



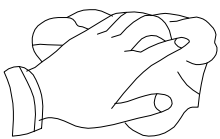
2. Never place liquids or anything damp upon furniture as it will mark. Ensure a coaster or running is beneath.



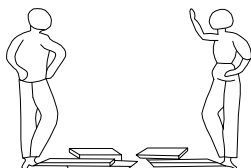
3. Never use ammonia based cleaning products as it will damage the finish.



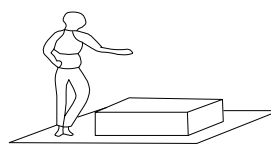
4. To avoid fading, keep furniture out of direct sunlight.



5. Use a soft or damp cloth (dry cloth) when wiping or cleaning surfaces.



6. Two person are required.



7. Lay a soft matt down to protect the furniture piece before and during assembly.

So your relationship is strong. But is it flat-pack furniture strong? Unless you're an aerospace engineer, assembling furniture can be slightly stressful. We recommend meditating quietly, pouring yourself a herbal tea(or slightly less herbal wine) and tackling things one step at a time. If you feel a passive aggressive remark coming on, try a compliment instead.E.g. "You're so good looking"

This 8-step assembly should take around 2.5 hour with an Allen Key - or 1.5 hour with and electric drill. Godspeed.

Designed for everyday

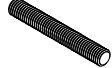
Component Hardware

Please check you have all the fittings part or tools are listed in below.

No. A
Quantity:8Pcs
Dowel
M10*40mm



No. B
Quantity:8Pcs
Full Thread Screw
M8*130mm



No. C
Quantity:16Pcs
Half-moon part



No. D
Quantity:16Pcs
Hexagon Nuts M8
M8



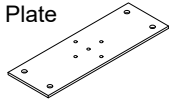
No. E
Quantity:4Pcs
Spanner



No. F
Quantity:24 Pcs
Screw
M8*25mm



No. G
Quantity:4Pcs
Metal Plate



No. H
Quantity:24Pcs
Screw
φ22



No. I
Quantity:2 Pcs
Allen Key
5#



No. J
Quantity:4 Pcs
Foot Pad
φ25



No. K
Quantity:20 Pcs
Screw
4*25mm



No. L
Quantity:22Pcs
Screw
4*30mm



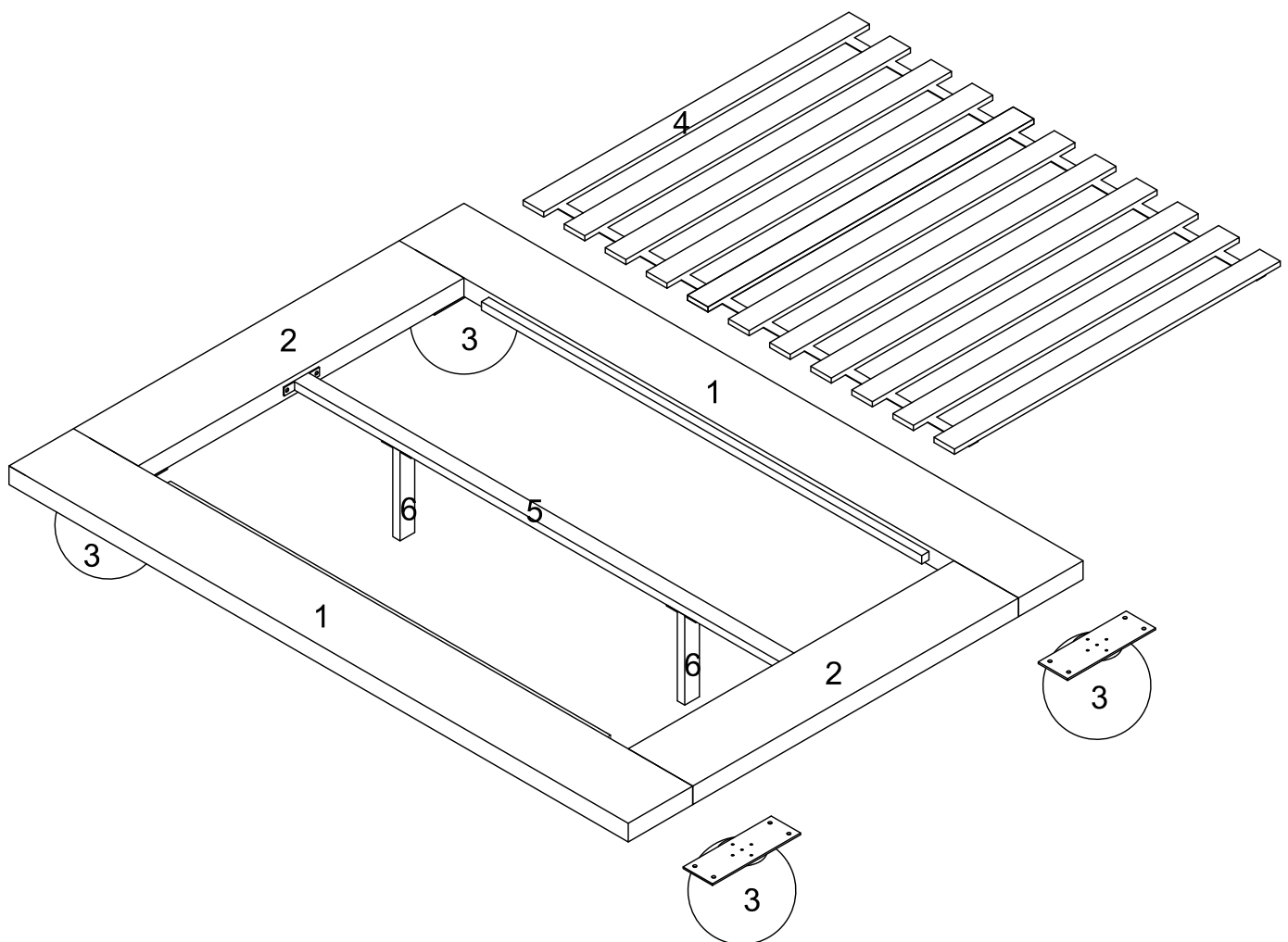
No. M
Quantity:8Pcs
Shim
φ50



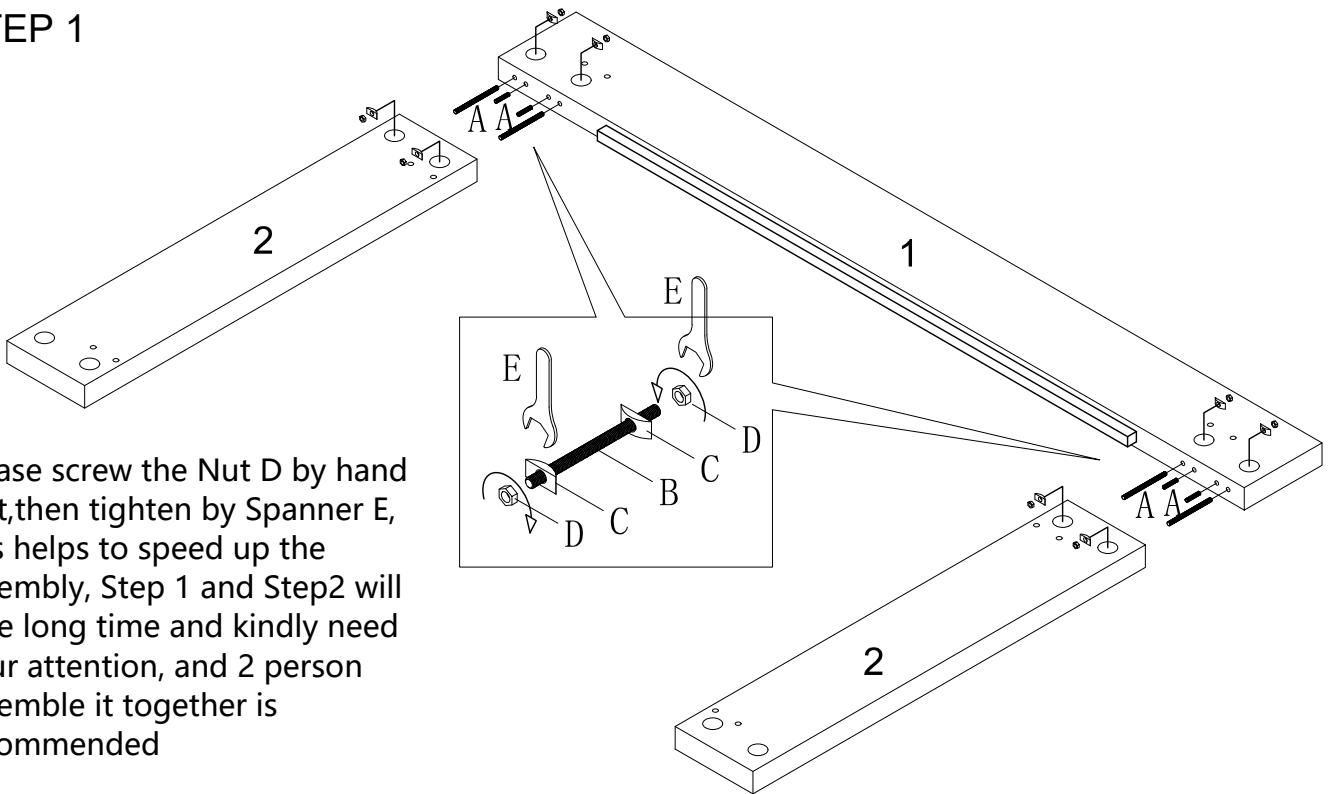
Component Panels & part List

Please check you have all the panels are listed below.

1. SIDE RAIL x2 CTN 2/3
2. BED END x2 CTN 1/3
3. LEG x4 CTN 3/3
4. BED SLATS x11 CTN 1/3
5. MIDDLE SUPPORT TUBE x1 CTN 2/3
6. MIDDLE SUPPORT LEG x2 CTN 1/3



STEP 1



please screw the Nut D by hand first, then tighten by Spanner E, this helps to speed up the assembly, Step 1 and Step 2 will take long time and kindly need your attention, and 2 person assemble it together is recommended

No. A
Quantity: 4Pcs
Dowel
M10*40mm



No. B
Quantity: 4Pcs
Full Thread Screw
M8*130mm



No. C
Quantity: 8Pcs
Half-moon part



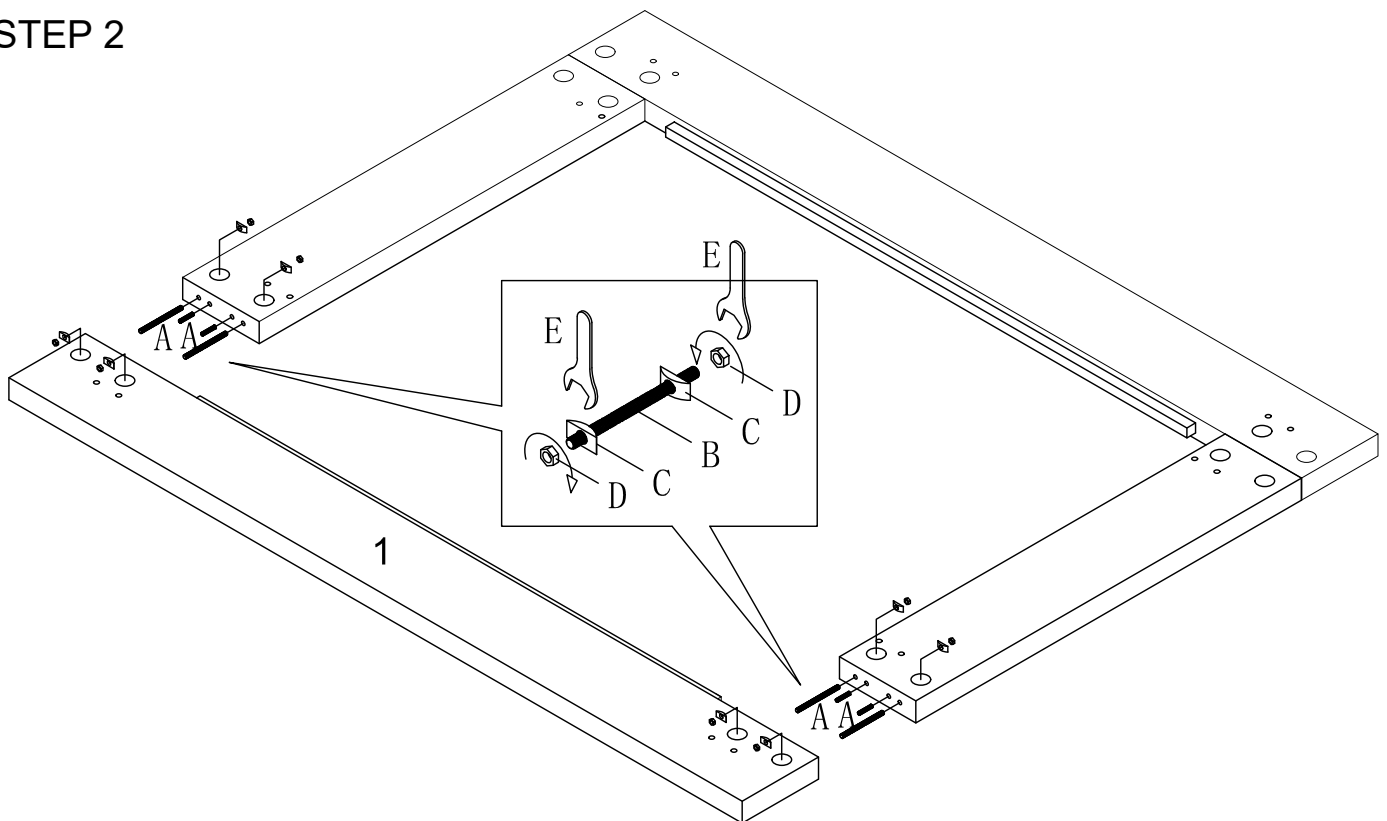
No. D
Quantity: 8Pcs
Hexagon Nuts M8
M8



No. E
Quantity: 2Pcs
Spanner



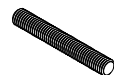
STEP 2



No. A
Quantity: 4Pcs
Dowel
M10*40mm



No. B
Quantity: 4Pcs
Full Thread Screw
M8*130mm



No. C
Quantity: 8Pcs
Half-moon part



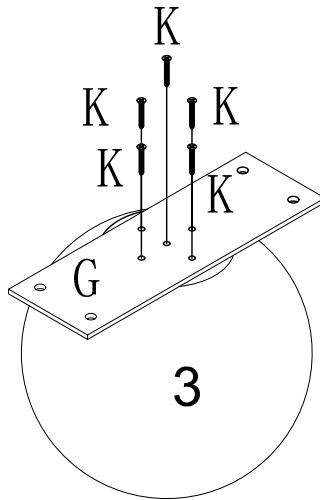
No. D
Quantity: 8Pcs
Hexagon Nuts M8
M8



No. E
Quantity: 2Pcs
Spanner

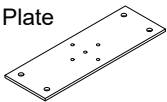


STEP 3



X4

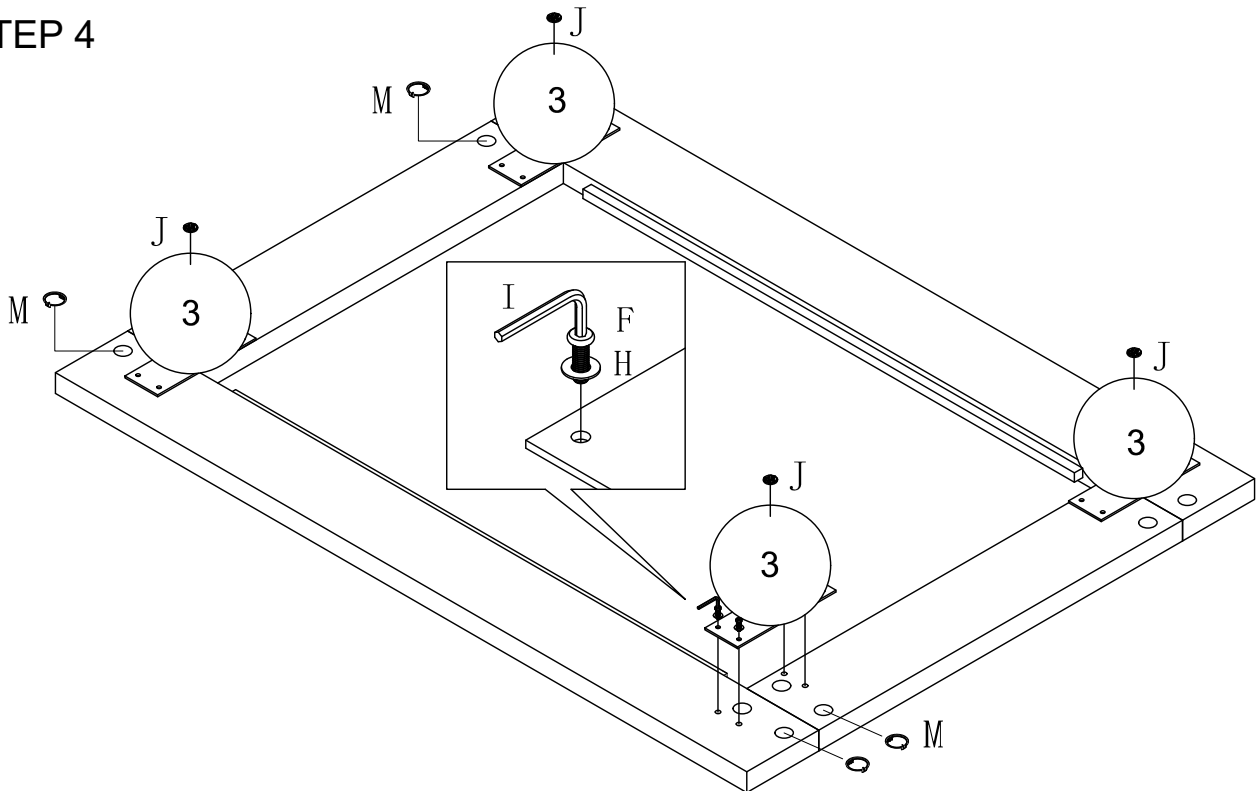
No. G
Quantity:4Pcs
Metal Plate



No. K
Quantity:20 Pcs
Screw
4*25mm



STEP 4



No. F
Quantity:16 Pcs
Screw
M8*25mm



No. H
Quantity:16Pcs
Screw
φ22



No. I
Quantity:1 Pcs
Allen Key
5#



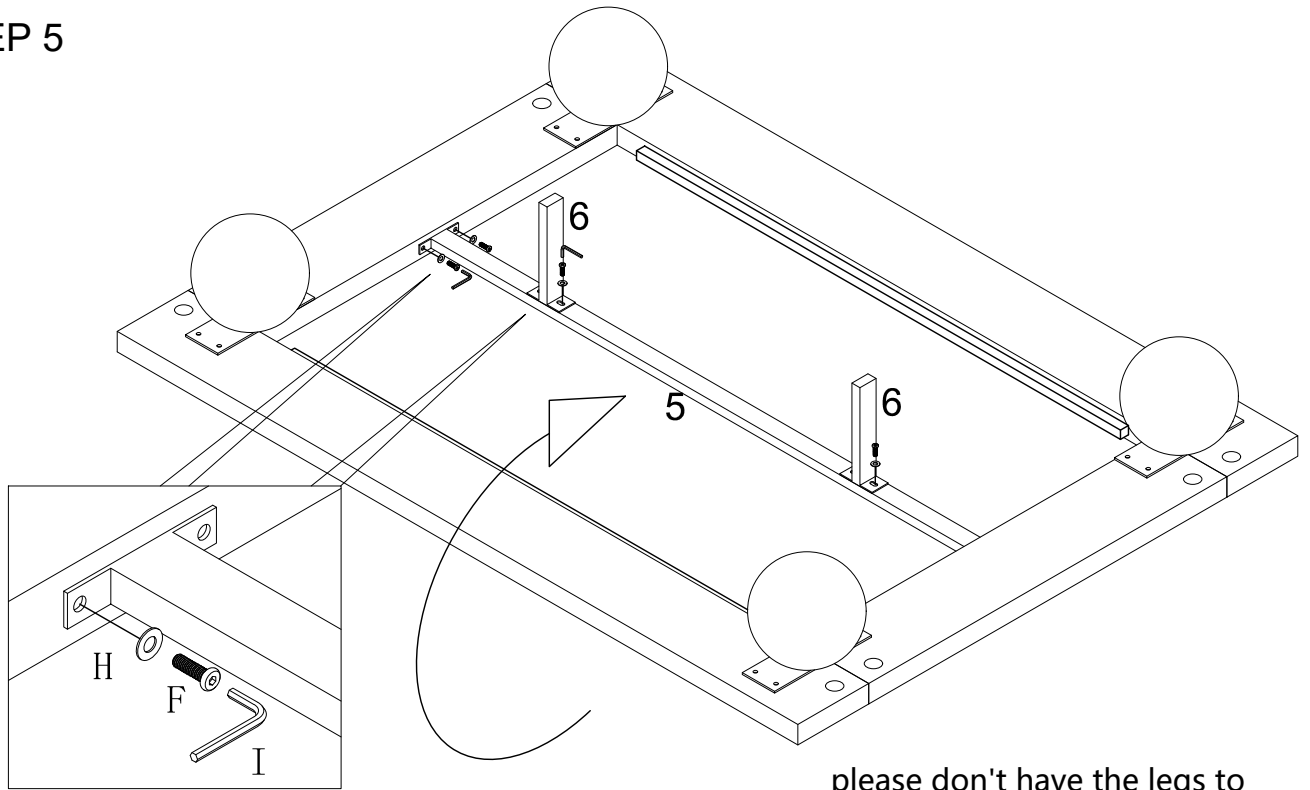
No. J
Quantity:4 Pcs
Foot Pad
φ25



No. M
Quantity:8Pcs
Shim
φ50



STEP 5



No. F
Quantity:8 Pcs
Screw
M8*25mm



No. H
Quantity:8 Pcs
Screw
φ22



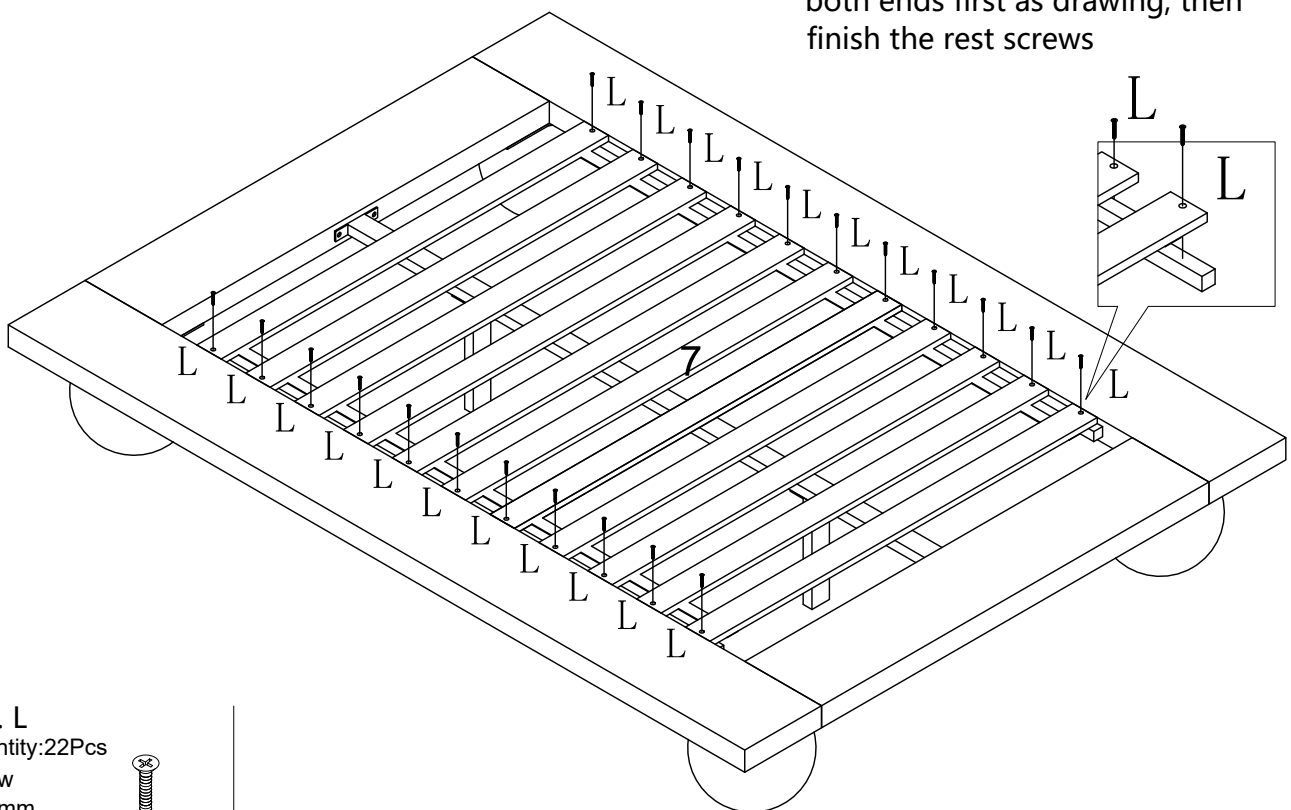
No. I
Quantity:1 Pcs
Allen Key
5#



please don't have the legs to stand on floor only when turn the bed frame as the weight of the product may damage the legs

STEP 6

Put the slats on the support bar, fix the screws on the bed slats at both ends first as drawing, then finish the rest screws



No. L
Quantity:22Pcs
Screw
4*30mm



lifely.com.au

Great job. You're done!

Don't forget to share how it looks in
your space and tag us on Instagram.
@lifelyhome#homewithlifely!