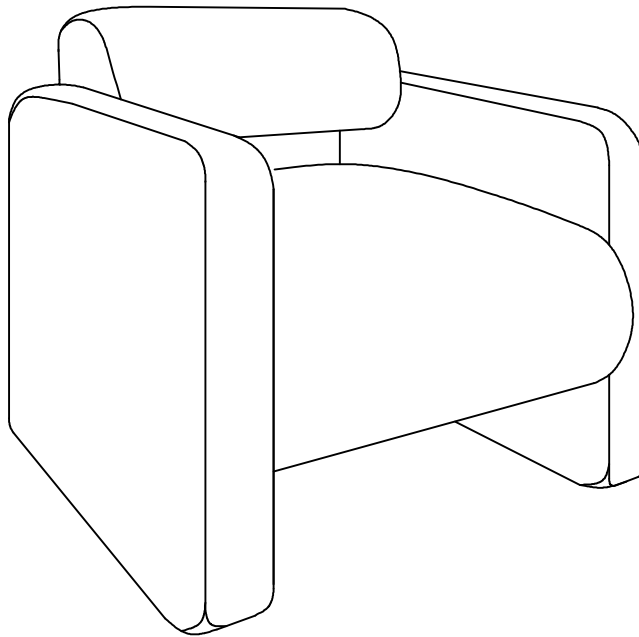


Assembly Instructions

Lorraine Series



Lifely*

Product Code

LORA-AC-ORG
LORA-AC-SND
LORA-AC-GRN
LORA-AC-WHT

Dimensions(WxDx H)

795x820x750mm

Important

Please read through instruction carefully
Before assembly and keep for future reference.

For our full catalogue of assembly instructions,
Visit: lifely.com.au/assembly.

Important Tips and Maintenance



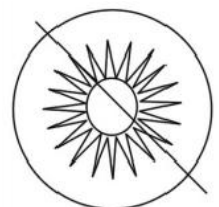
1.
Keep children and animals away from working area as smaller parts may cause choking if swallowed.



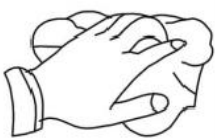
2.
Never place liquids or anything damp upon furniture as it will mark. Ensure a coaster or running is beneath.



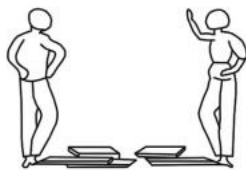
3.
Never use ammonia based cleaning products as it will damage the finish.



4.
To avoid fading, keep furniture out of direct sunlight.



5.
Use a soft or damp cloth (dry cloth) when wiping or cleaning surfaces.



6.
Two person are required.



7.
Lay a soft mat down to protect the furniture piece before and during assembly.

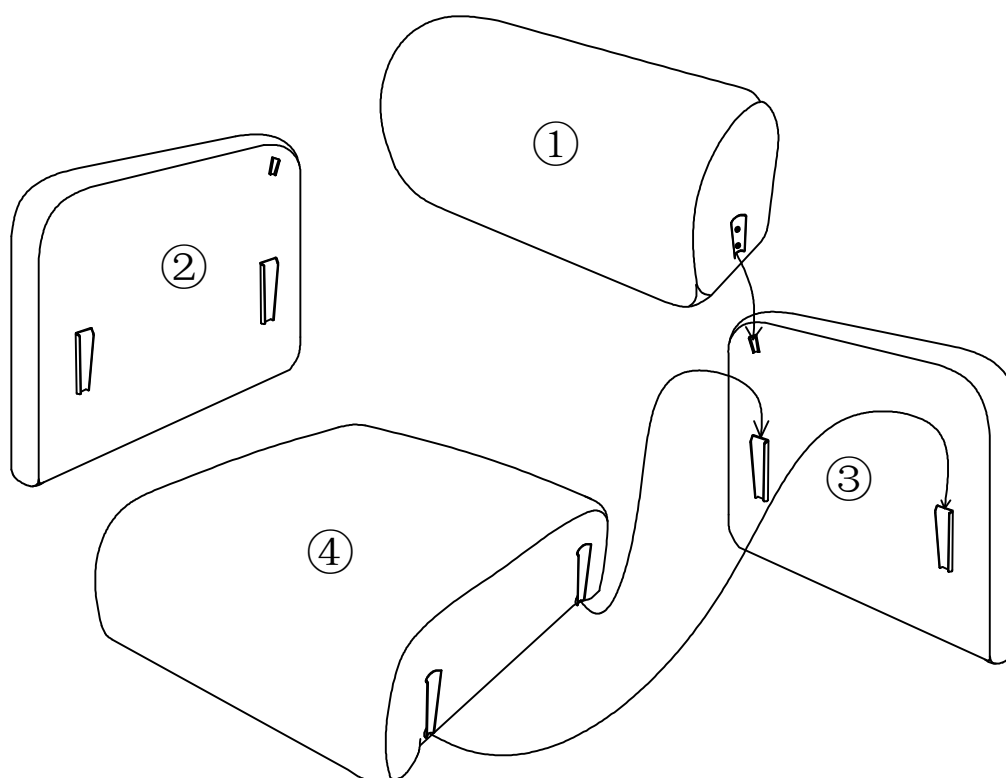
So your relationship is strong. But is it flat-pack furniture strong? Unless you're an aerospace engineer, assembling furniture can be slightly stressful. We recommend meditating quietly, pouring yourself a herbal tea (or slightly less herbal wine) and tackling things one step at a time. If you feel a passive aggressive remark coming on, try a compliment instead .E.g. "You're so good looking".

This 3-Step assembly should take around 5 minutes.

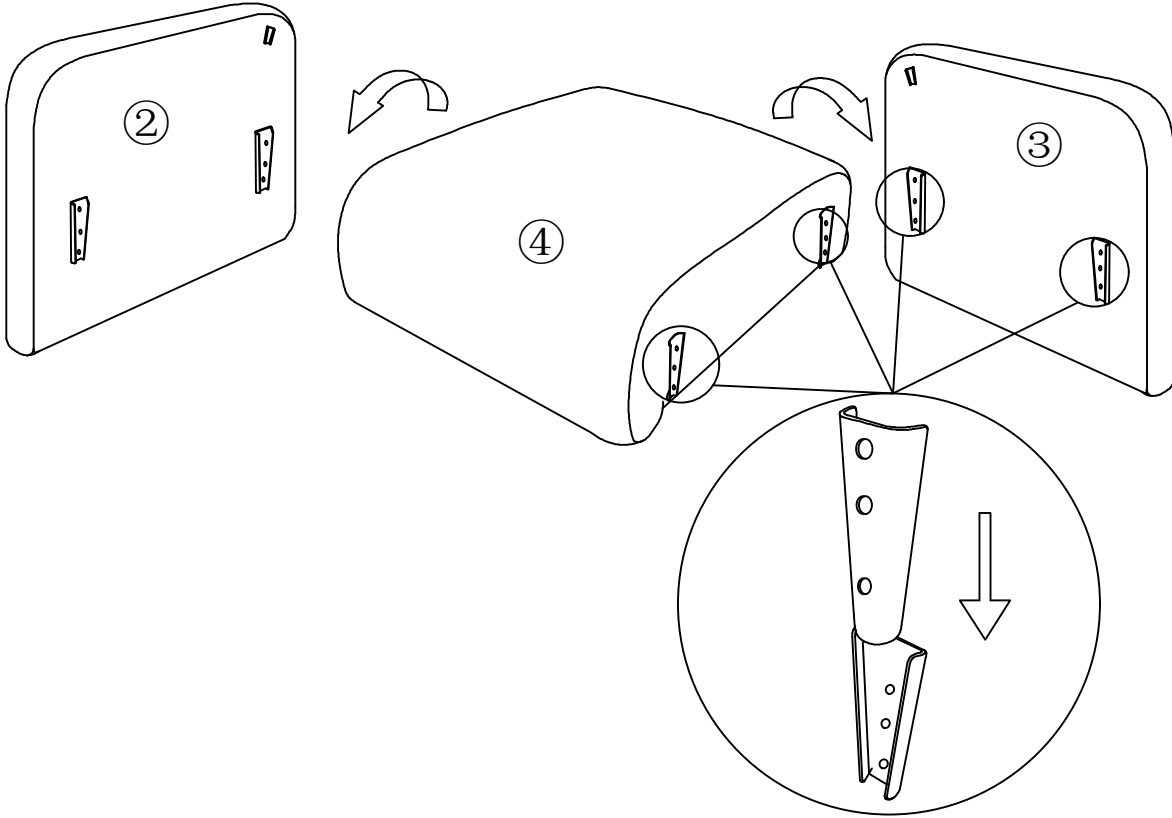
Component Panels & part List

Please check you have all the panels
are listed below.

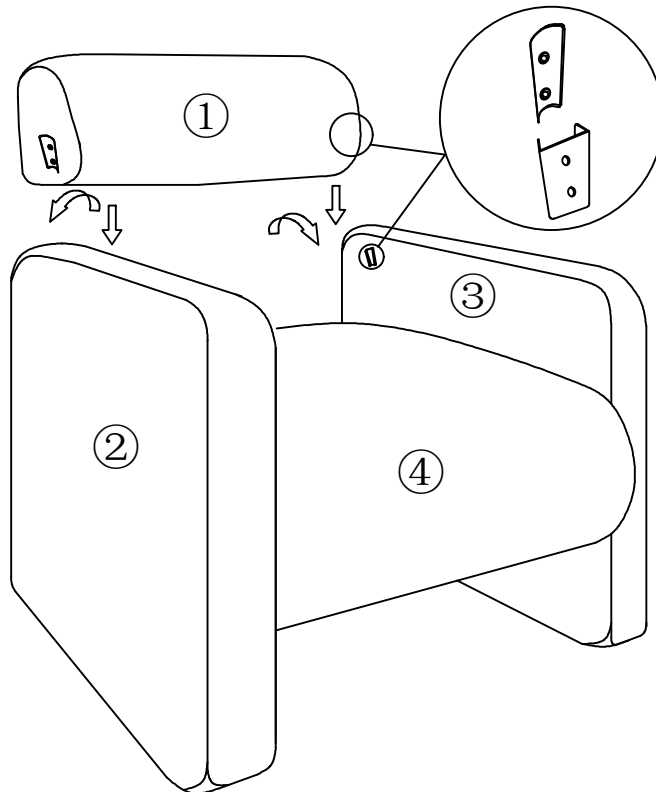
1. Backrest x1
2. Armrest-Left x1
3. Armrest-Right x1
4. Seat x1



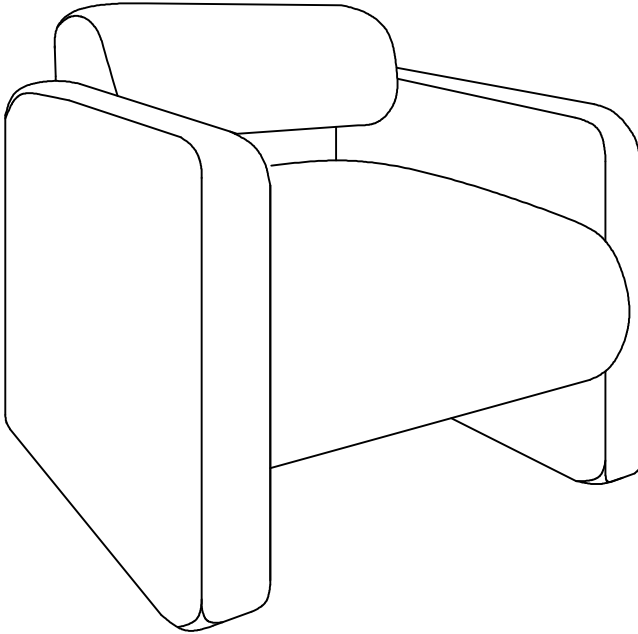
STEP 1



STEP 2



STEP 3



lifely.com.au

Great job. You're done!

Don't forget to share how it looks in
your space and tag us on Instagram.
[@lifelyhome](https://www.instagram.com/lifelyhome)#homewithlifely!