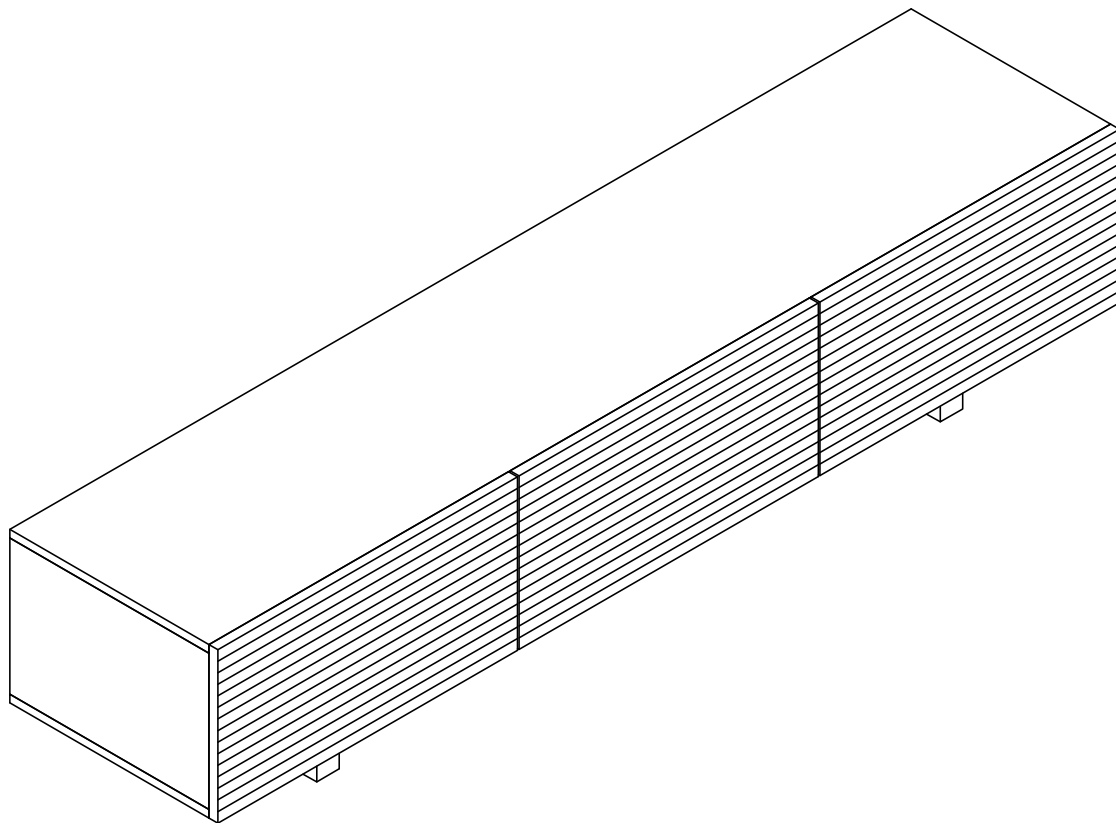


Assembly Instructions

Lucia Series



Lifely*

Product Code

LCIA-TV-180 TV STAND

Dimensions(W x D x H)

1800*416*385

Important

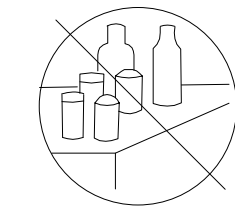
Please read through instruction carefully
Before assembly and keep for future reference.

For our full catalogue of assembly instructions,
Visit: lifely.com.au/assembly.

Important Tips and Maintenance



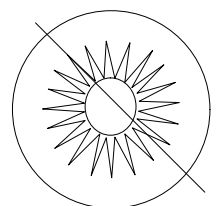
1. Keep children and animals away from working area as smaller parts may cause choking if swallowed.



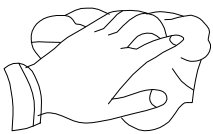
2. Never place liquids or anything damp upon furniture as it will mark. Ensure a coaster or running is beneath.



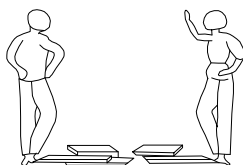
3. Never use ammonia based cleaning products as it will damage the finish.



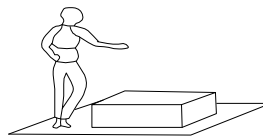
4. To avoid fading, keep furniture out of direct sunlight.



5. Use a soft or damp cloth (dry cloth) when wiping or cleaning surfaces.



6. Two person are required.



7. Lay a soft matt down to protect the furniture piece before and

So your relationship is strong. But is it flat-pack furniture strong? Unless you're an aerospace engineer, assembling furniture can be slightly stressful. We recommend meditating quietly, pouring yourself a herbal tea (or slightly less herbal wine) and tackling things one step at a time. If you feel a passive aggressive remark coming on, try a compliment instead. E.g. "You're so good looking"

This 18-step assembly should take around 1.5 hours with an Allen Key - or 75 minutes with an electric drill. Godspeed.

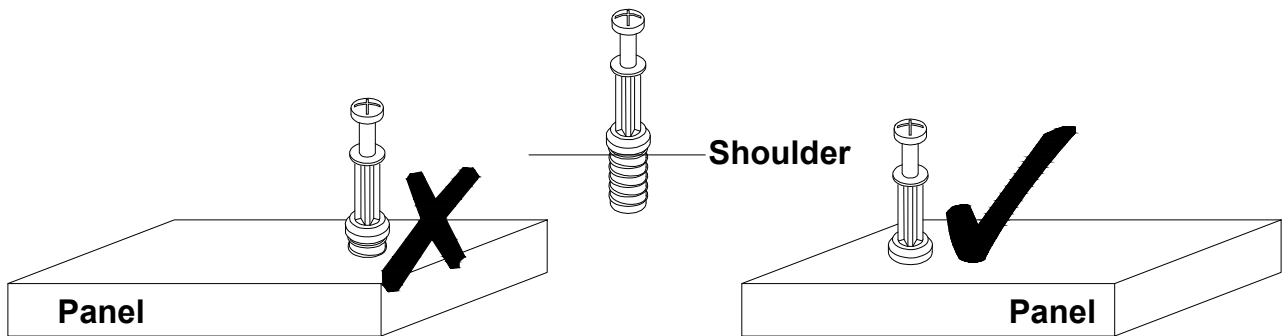
Designed for everyday

Before Assembly

Tips Before Your Start:

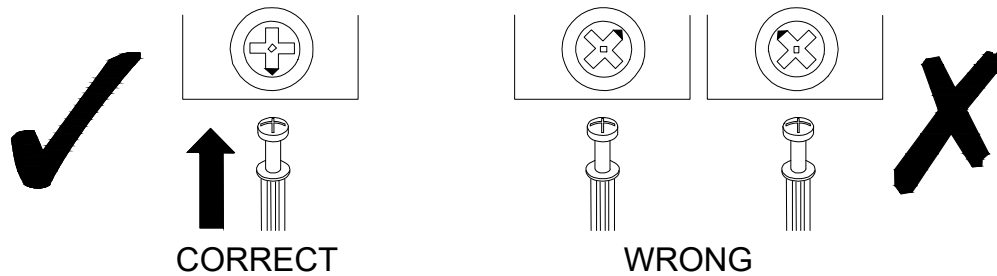
- Remove all wrapping material, including staples & packing straps before you start to assemble.
- DO NOT tighten all screws and bolts until completely assembled.
- Keep all hardware parts out of reach of children.

QUICKFIT



Tighten quickfit until shoulder is flush with panel. Do not overtighten or undertighten.

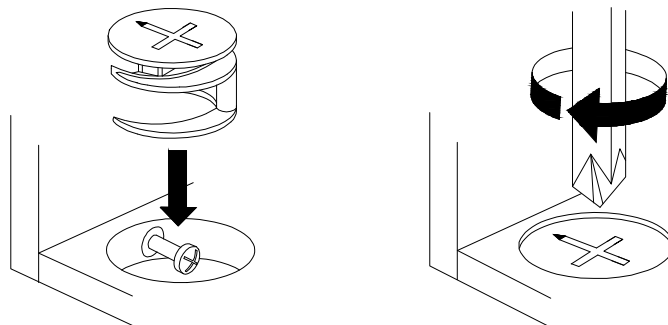
CAM LOCK



When fitting cam lock, ensure starting position is correct before you insert connecting quickfit.

Quickfit head should be in the centre of the cam lock when the two panels are joined.

Cam lock should be inserted before quickfit.

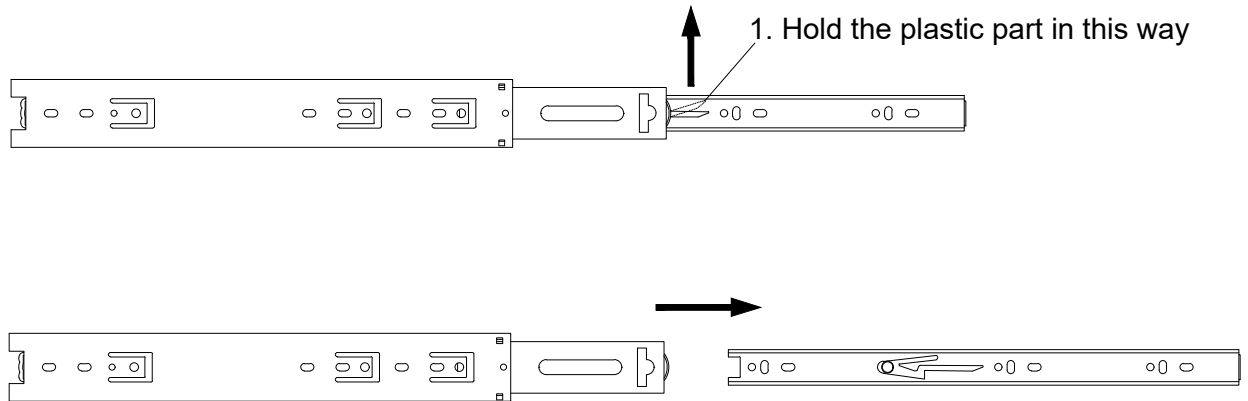


Turn cam lock clockwise to tighten.

Before Assembly

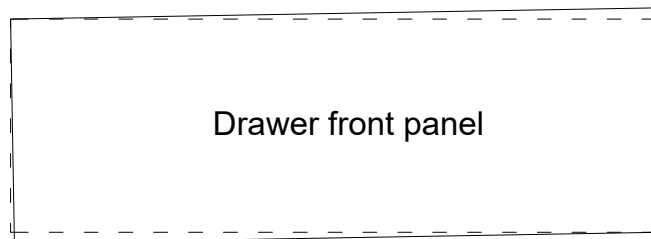
Tips Before Your Start

How to separate the drawer slider:

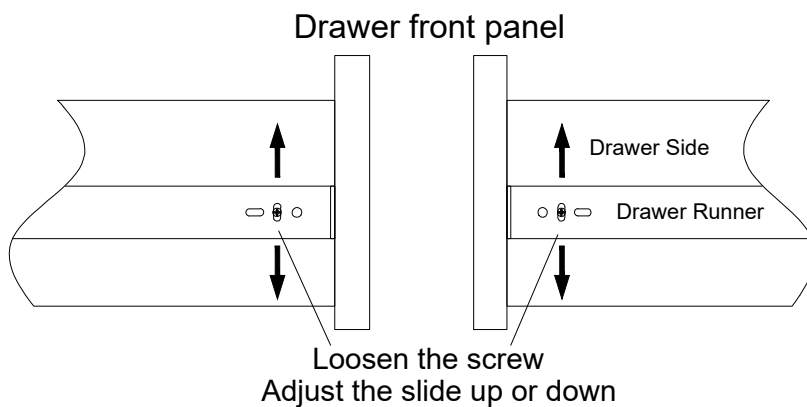


2. Pull out the inner slider for drawer box fixing

Drawer Front Alignment



If the drawer front panel is NOT level after being assembled, then...



Component Hardware

Please check you have all the fittings part or tools are listed in below.

No. A
Quantity:30Pcs
Cam Lock Dowel
8*28mm



No. B
Quantity:28Pcs
Dowel
8*30mm



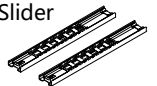
No. C
Quantity:30Pcs
Cam
φ15



No. D
Quantity:24Pcs
Screw
4*14mm



No. E
Quantity: 2Sets
Drawer Slider
10"



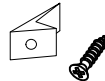
No. F
Quantity:10Pcs
Screw
M6*50mm



No. G
Quantity:1Pc
Allen Key
4#



No. H
Quantity:8Pcs
Plastic Wedge



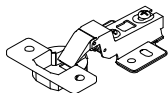
No. I
Quantity:8Pcs
Shelf Support



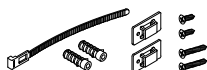
No. J
Quantity:8Pcs
Screw
4*14mm



No. K
Quantity:2Pcs
Hinge



No. L
Quantity:2Sets
Anti-falling Parts



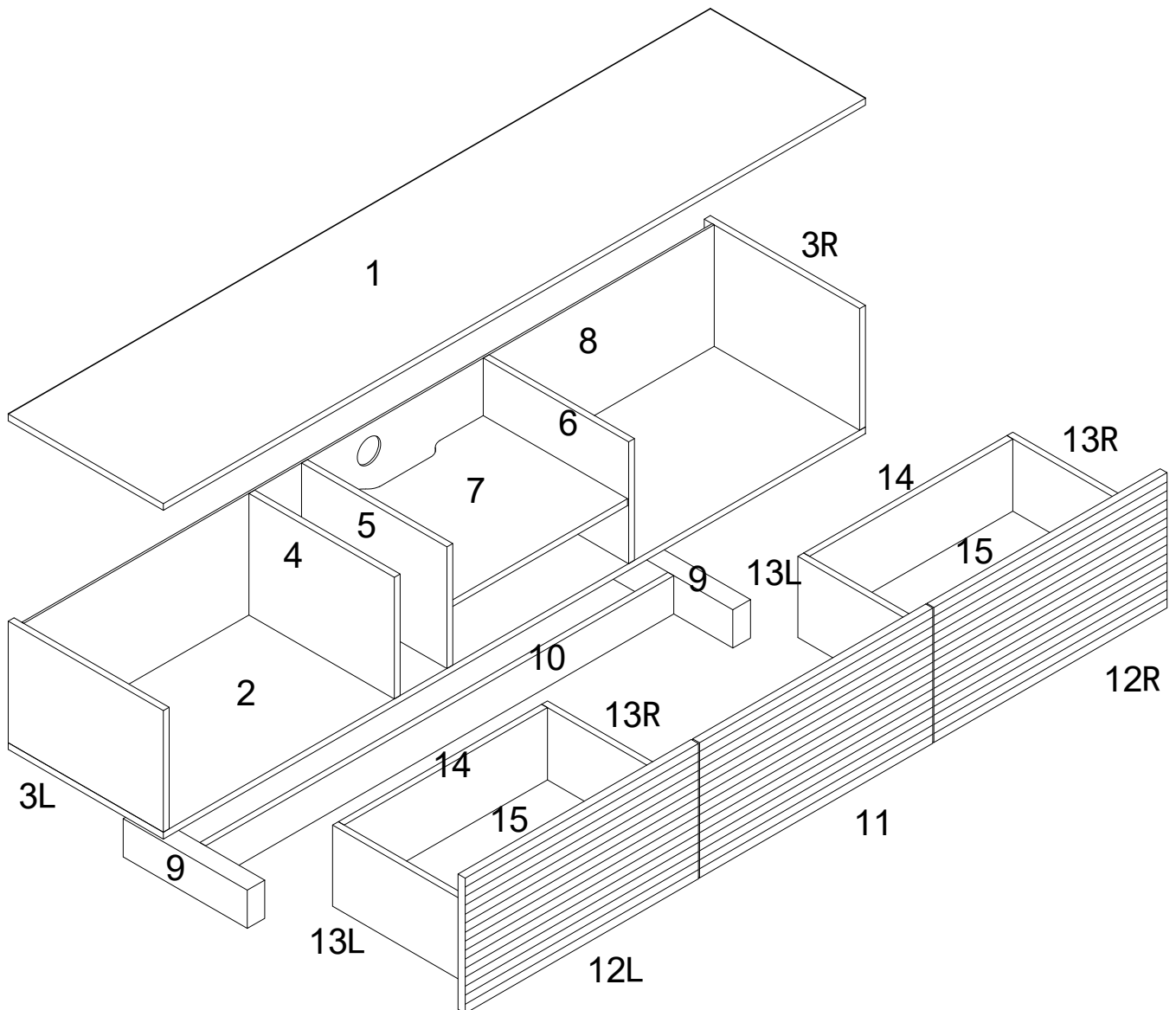
No. M
Quantity:4Pcs
Foot Pad
40*40



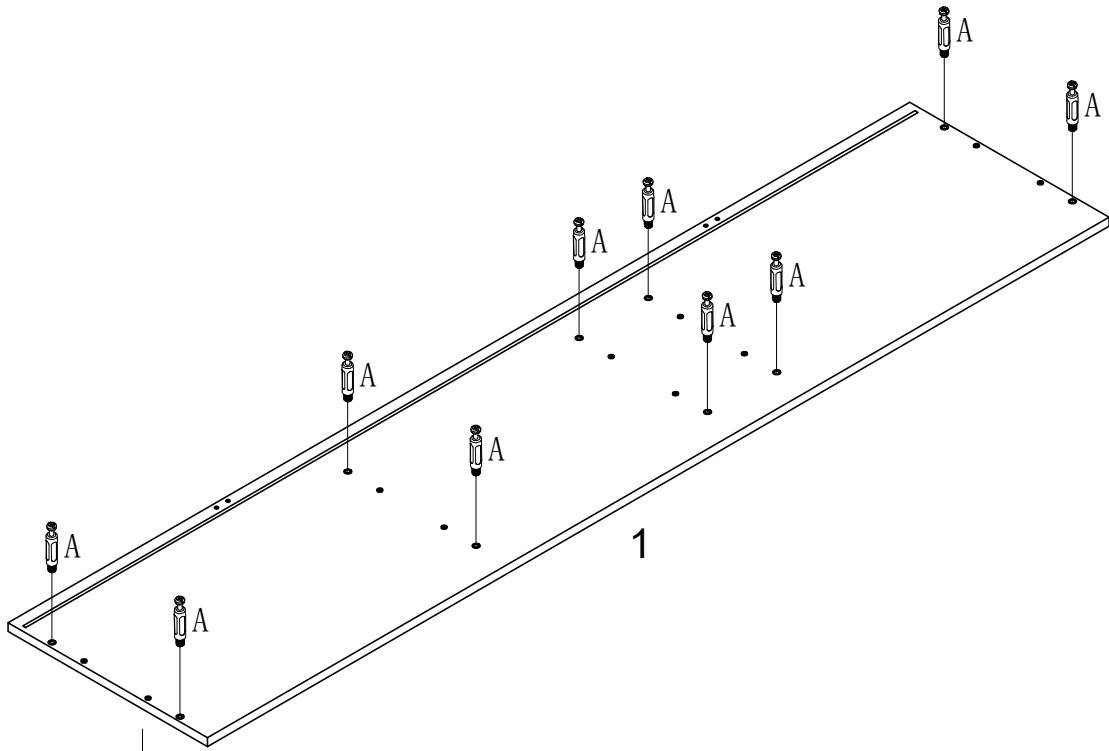
Component Panels & part List

Please check you have all the panels are listed below.

- | | | | | | | | | | |
|-----|---------------------|-------|----|--------|------|---------------------|-------|----|--------|
| 1. | TOP PANEL | ————— | x1 | CTN2/2 | 10. | BASE BRACE | ————— | x1 | CTN2/2 |
| 2. | BOTTOM PANEL | ————— | x1 | CTN2/2 | 11. | MIDDLE DOOR PANEL | ————— | x1 | CTN2/2 |
| 3L. | SIDE PANEL_LEFT | ————— | x1 | CTN1/2 | 12L. | LEFT DOOR PANEL | ————— | x1 | CTN2/2 |
| 3R. | SIDE PANEL_RIGHT | ————— | x1 | CTN1/2 | 12R. | RIGHT DOOR PANEL | ————— | x1 | CTN2/2 |
| 4. | CENTRE PANEL_LEFT | ————— | x1 | CTN1/2 | 13L. | DRAWER SIDE_LEFT | ————— | x1 | CTN1/2 |
| 5. | CENTRE PANEL_MIDDLE | ————— | x1 | CTN1/2 | 13R. | DRAWER SIDE_RIGHT | ————— | x1 | CTN1/2 |
| 6. | CENTRE PANEL_RIGHT | ————— | x2 | CTN1/2 | 14. | DRAWER BACK PANEL | ————— | x2 | CTN1/2 |
| 7. | SHELF PANEL | ————— | x1 | CTN1/2 | 15. | DRAWER BOTTOM PANEL | ————— | x1 | CTN1/2 |
| 8. | BACK PANEL | ————— | x1 | CTN2/2 | | | | | |
| 9. | SIDE LEG | ————— | x1 | CTN1/2 | | | | | |



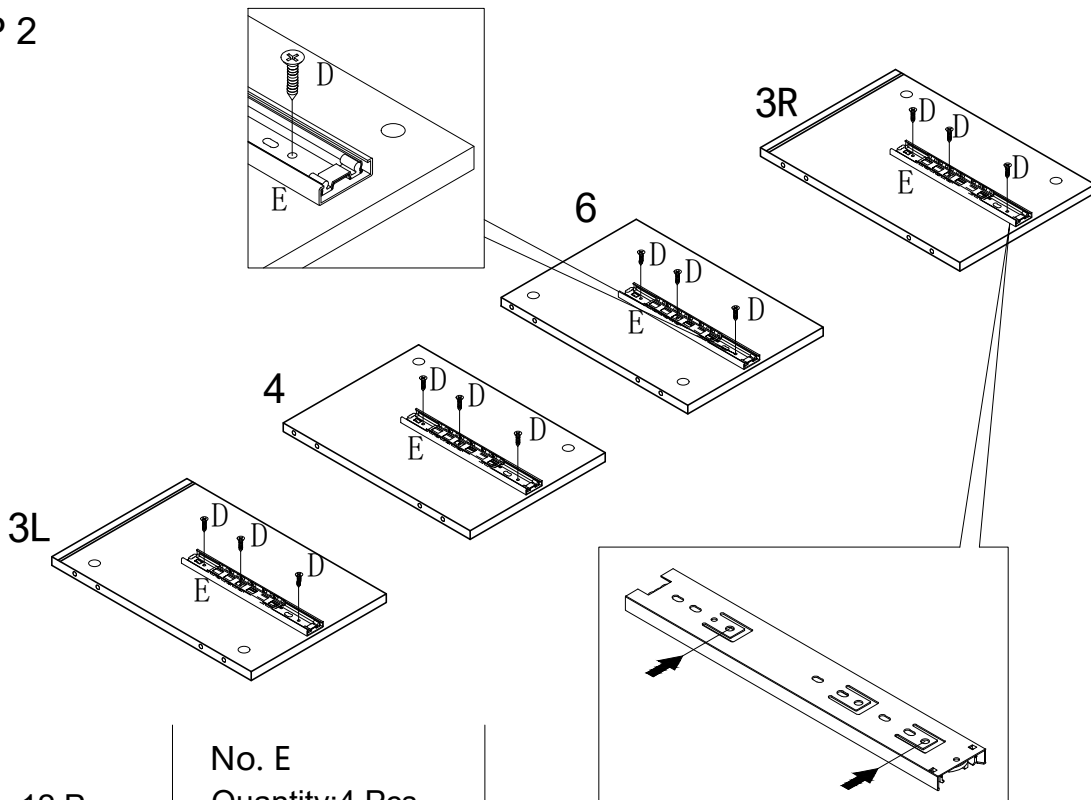
STEP 1



No. A
Quantity: 10 Pcs
Cam Lock Dowel
8*28 mm



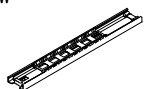
STEP 2



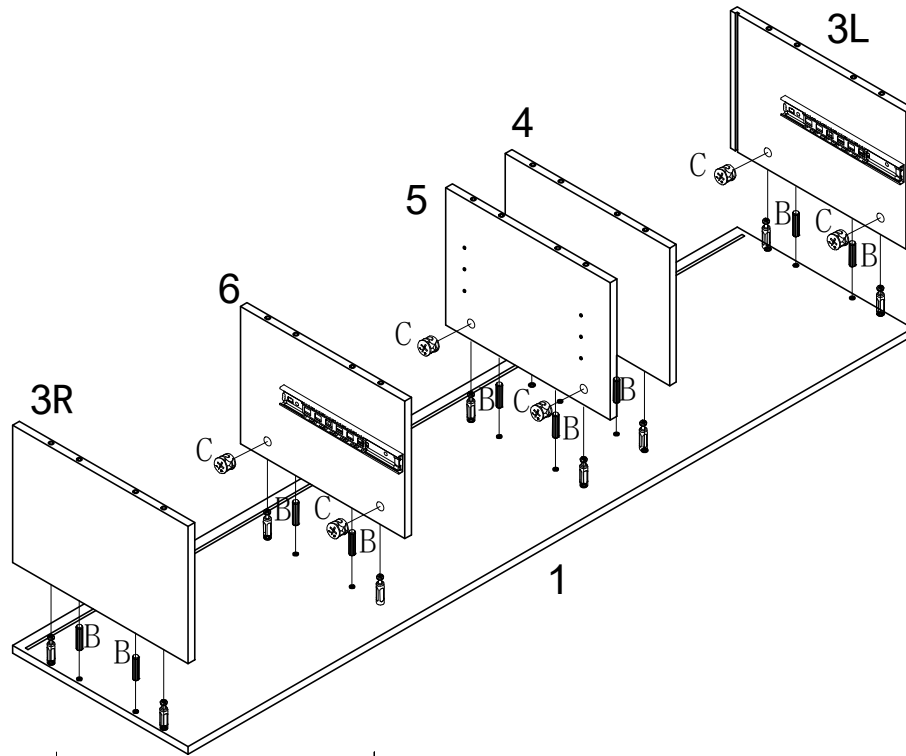
No. D
Quantity: 12 Pcs
Screw
4*14mm



No. E
Quantity: 4 Pcs
Drawer Slider
10"



STEP 3



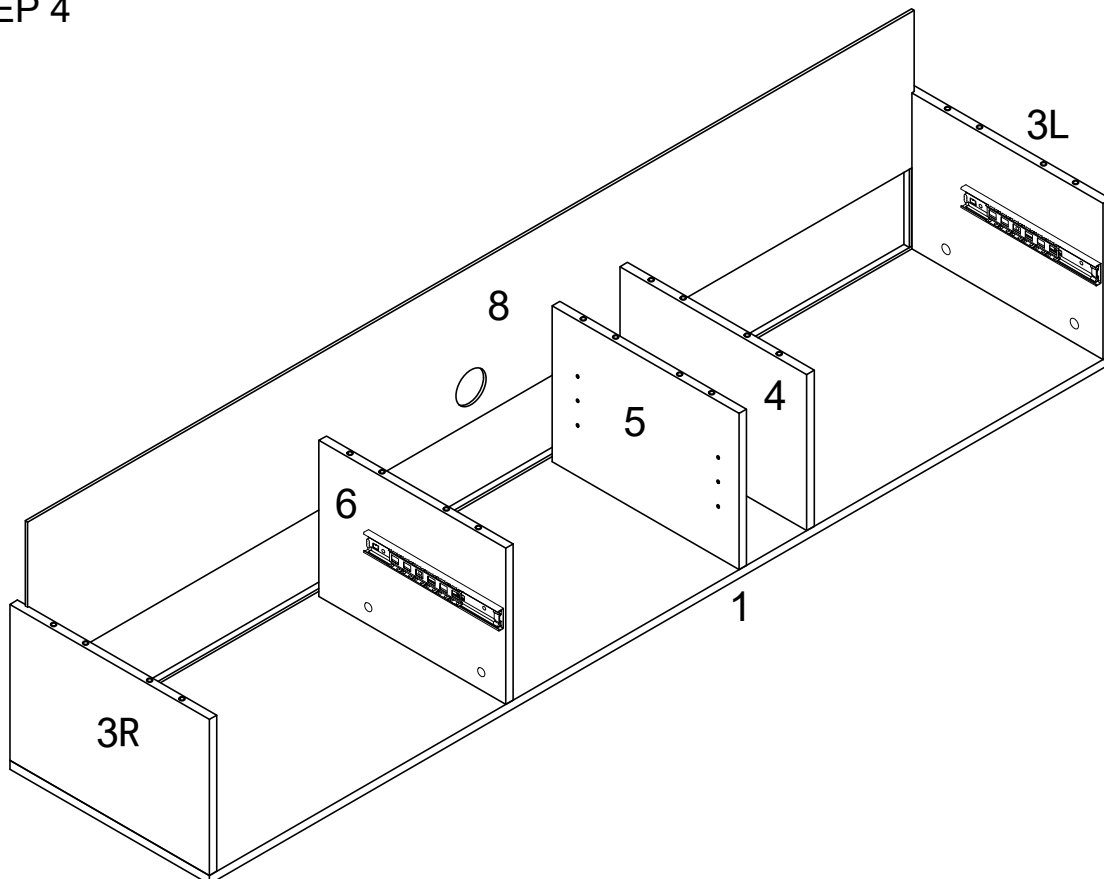
No. C
Quantity: 10 Pcs
Cam Lock
φ15mm



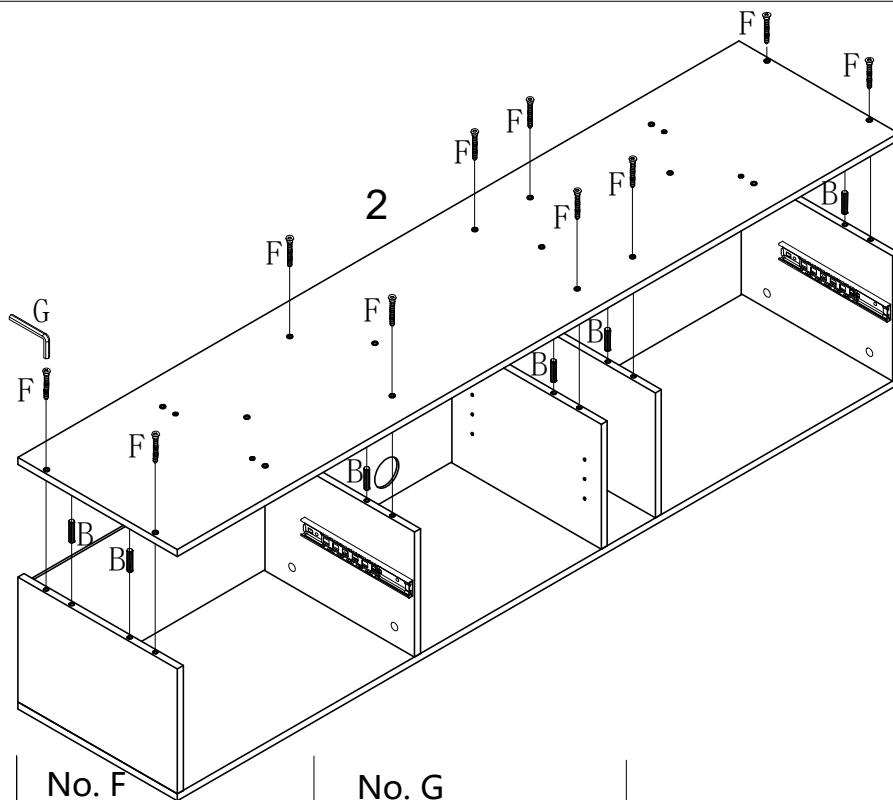
No. B
Quantity: 10 Pcs
Dowel
8*30mm



STEP 4



STEP 5



No. B
Quantity: 10 Pcs
Dowel
8*30mm



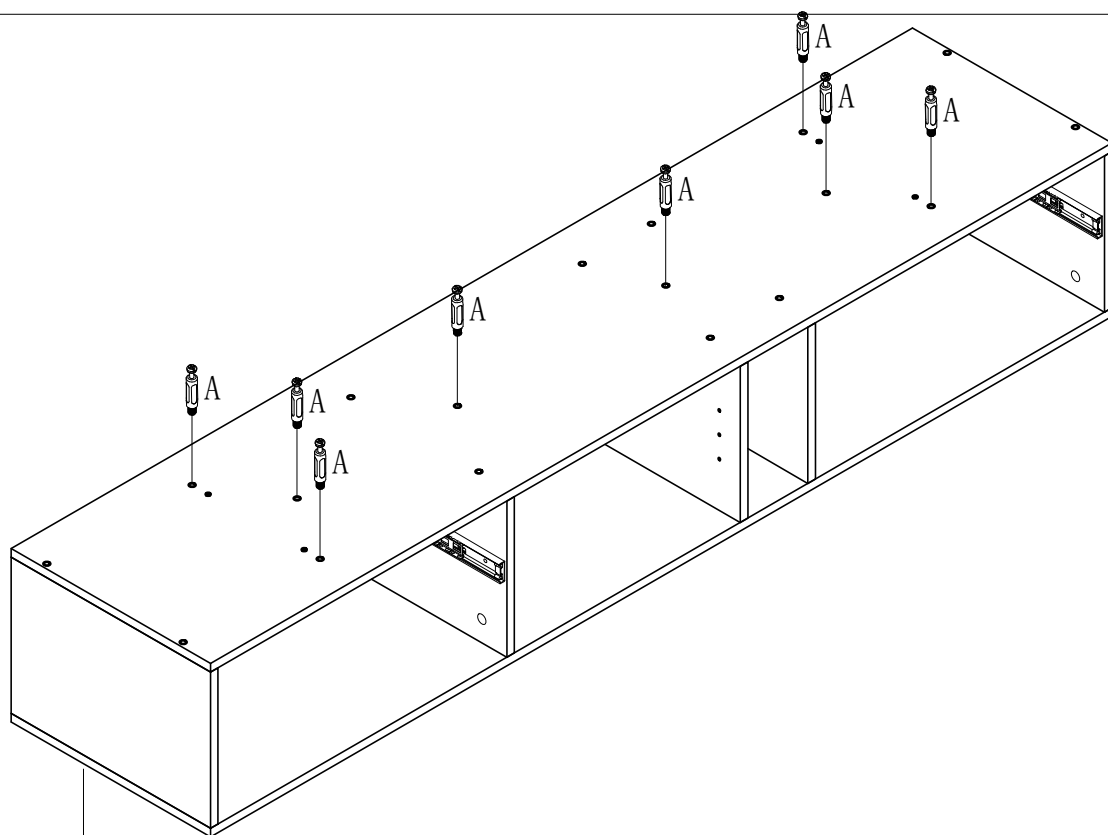
No. F
Quantity: 10 Pcs
Screw
M6*50mm



No. G
Quantity: 1Pc
Allen Key
4#



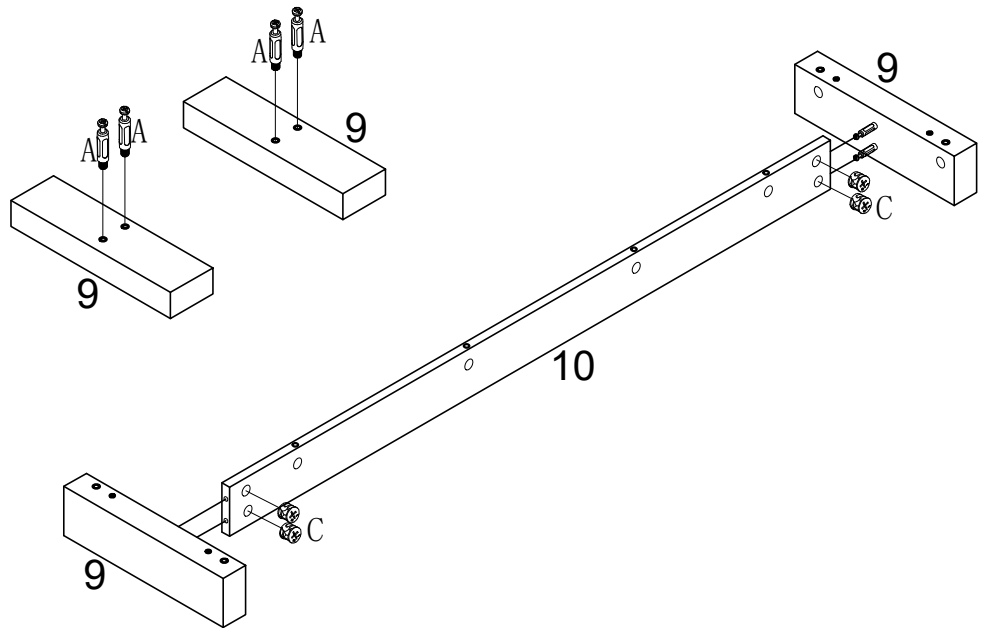
STEP 6




No. A
Quantity: 8 Pcs
Cam Lock Dowel
8*28 mm



STEP 7



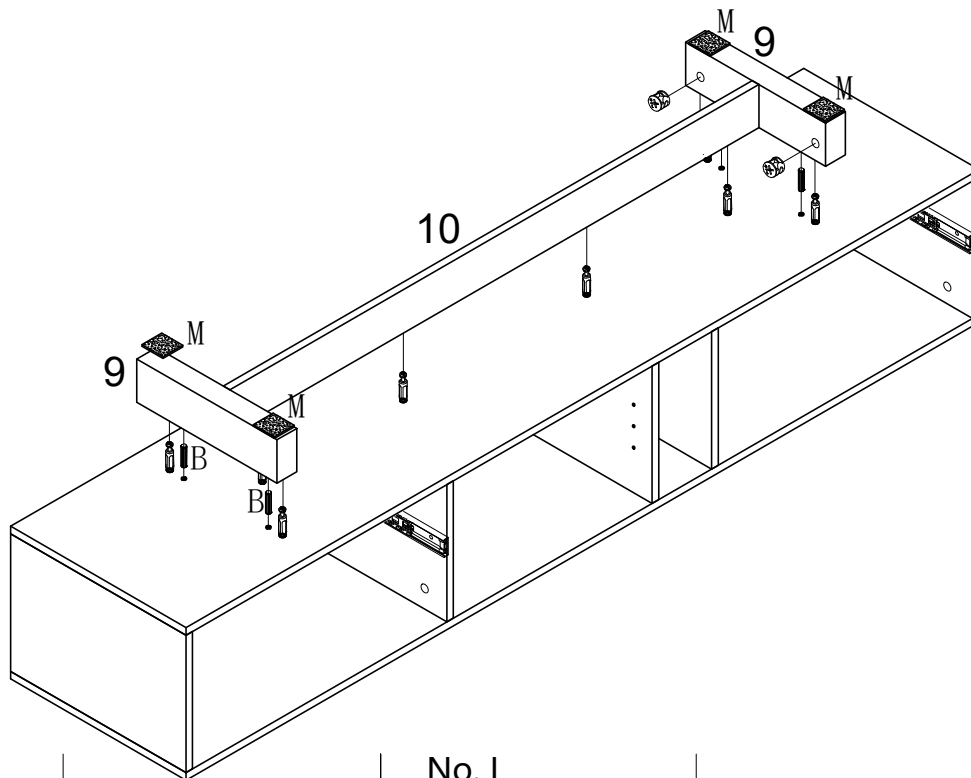
No. A
 Quantity: 4 Pcs
 Cam Lock Dowel
 8*28 mm



No. C
 Quantity: 4 Pcs
 Cam Lock
 φ15mm




STEP 8




No. C
 Quantity: 8 Pcs
 Cam Lock
 φ15mm



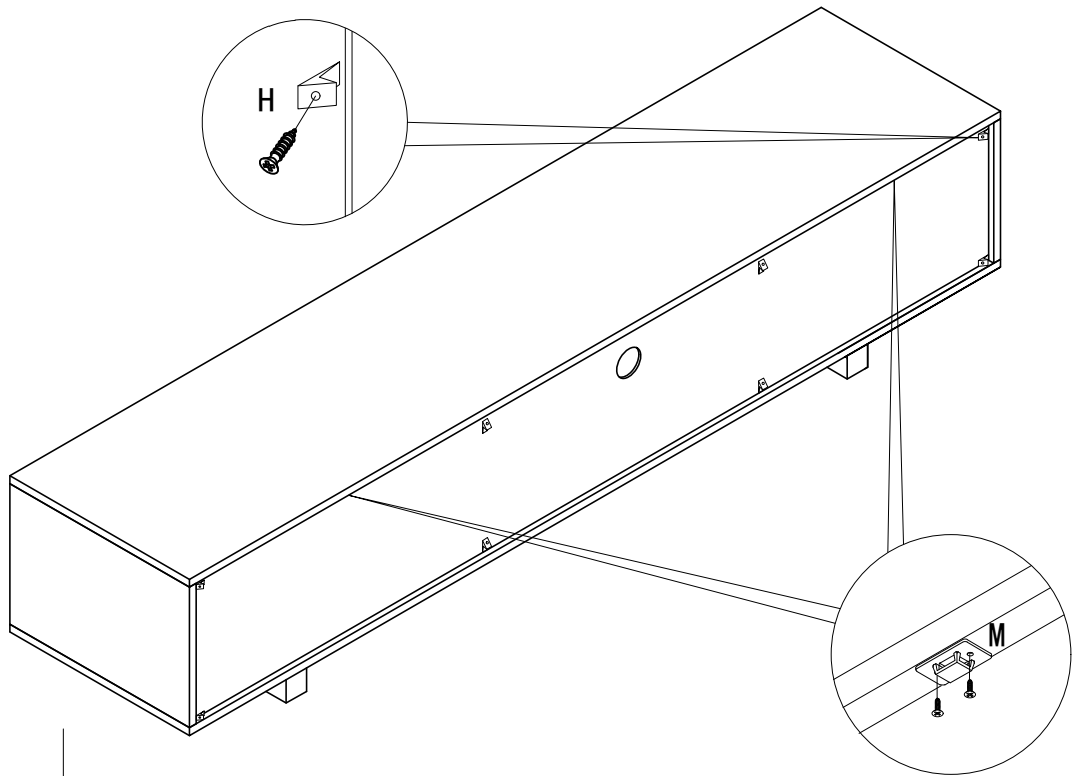
No. B
 Quantity: 4 Pcs
 Dowel
 8*30mm



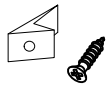
No. L
 Quantity: 4 Pcs
 Foot Pad
 40*40



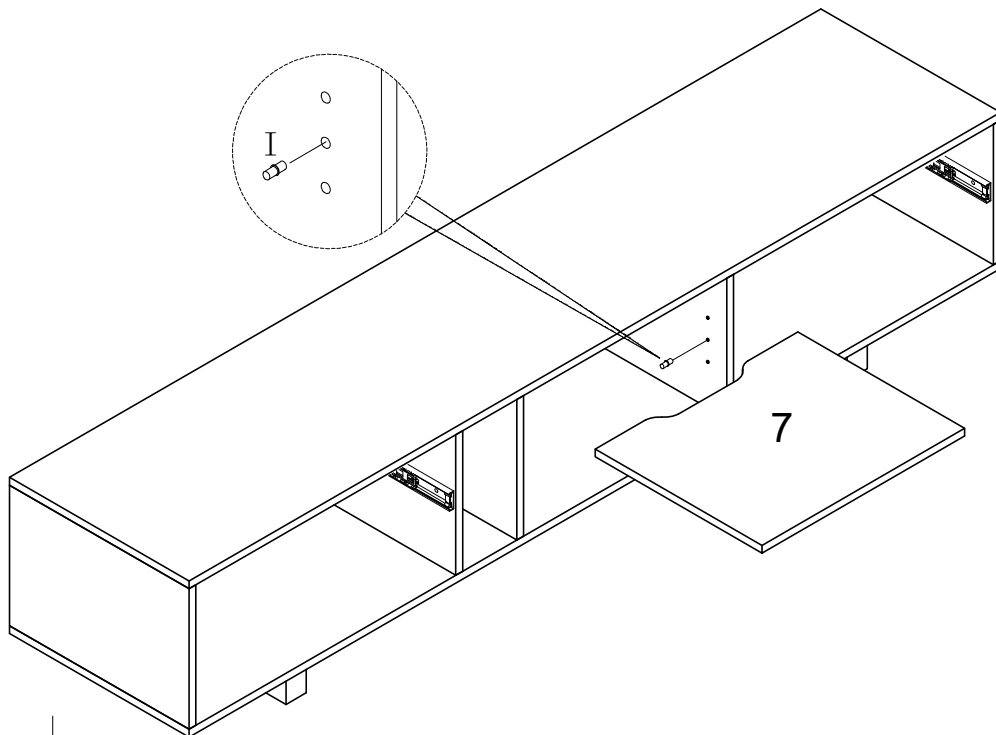
STEP 9



No. H
Quantity: 8 Pcs
Plastic Wedge



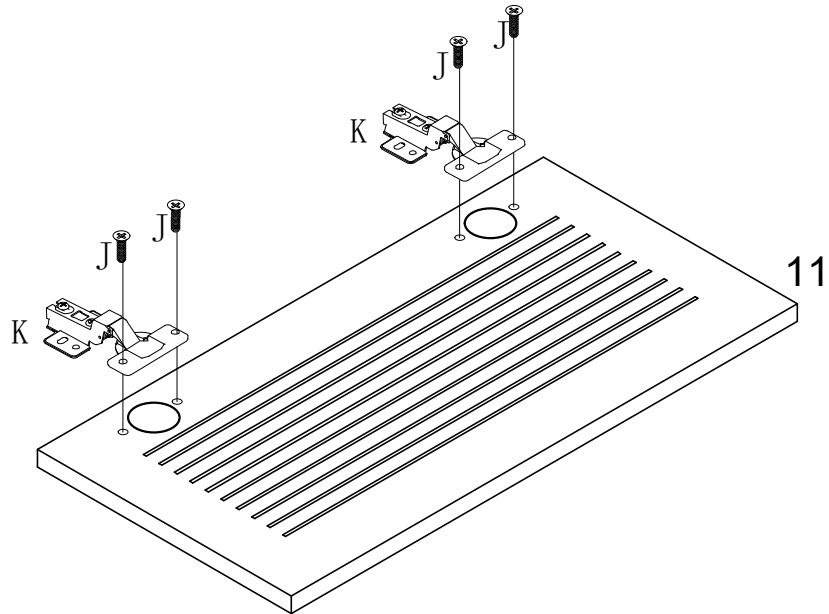
STEP 10



No. K
Quantity: 4 Pcs
Shelf Support
M6*12mm



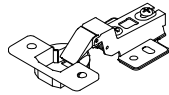
STEP 11



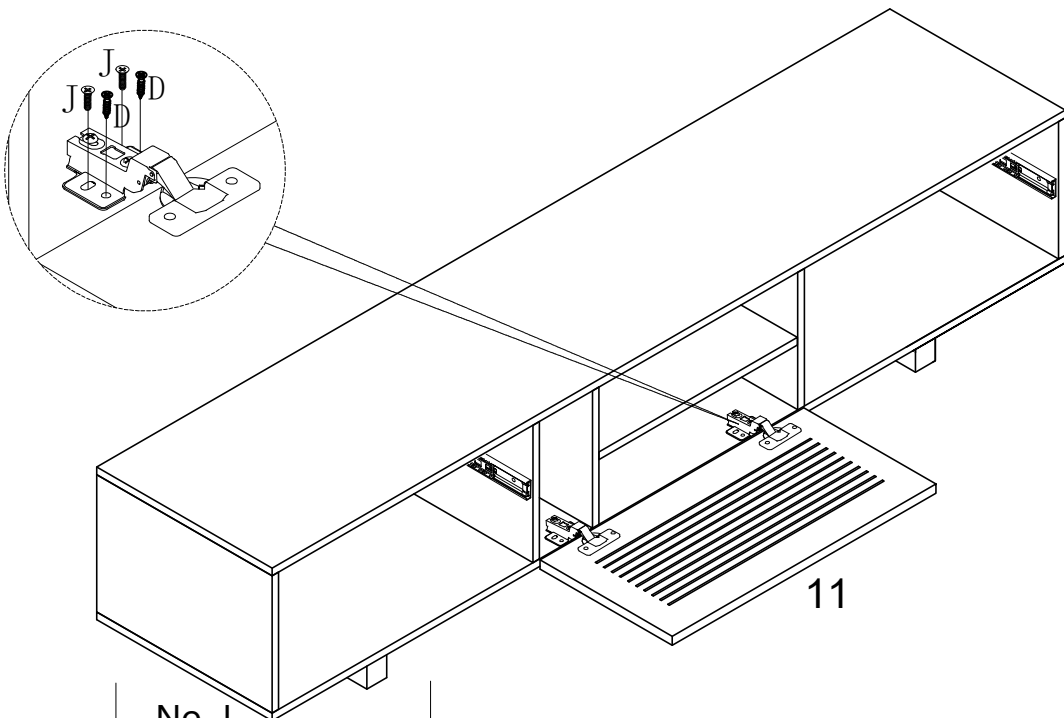
No. J
Quantity: 4 Pcs
Screw
4*16mm



No. K
Quantity: 2 Pcs
Hinge



STEP 12



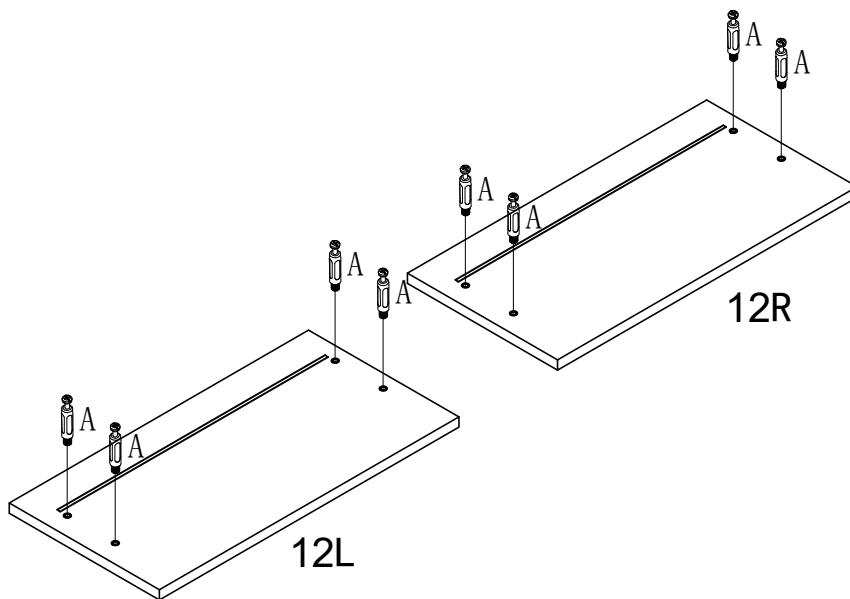
No. D
Quantity: 4 Pcs
Screw
4*14mm



No. J
Quantity: 4 Pcs
Screw
4*16mm



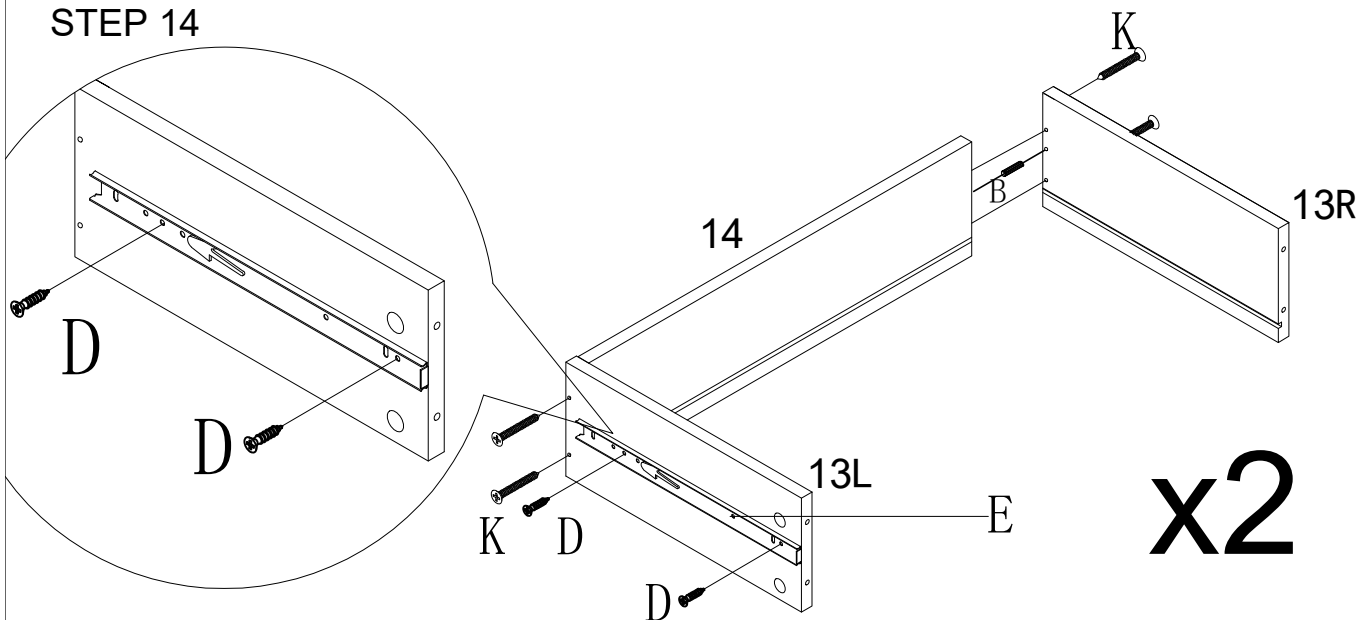
STEP 13



No. A
Quantity: 8 Pcs
Cam Lock Dowel
8*28 mm



STEP 14



No. D
Quantity: 8 Pcs
Screw
4*14mm



No. E
Quantity: 2 Sets
Drawer Slider
12"



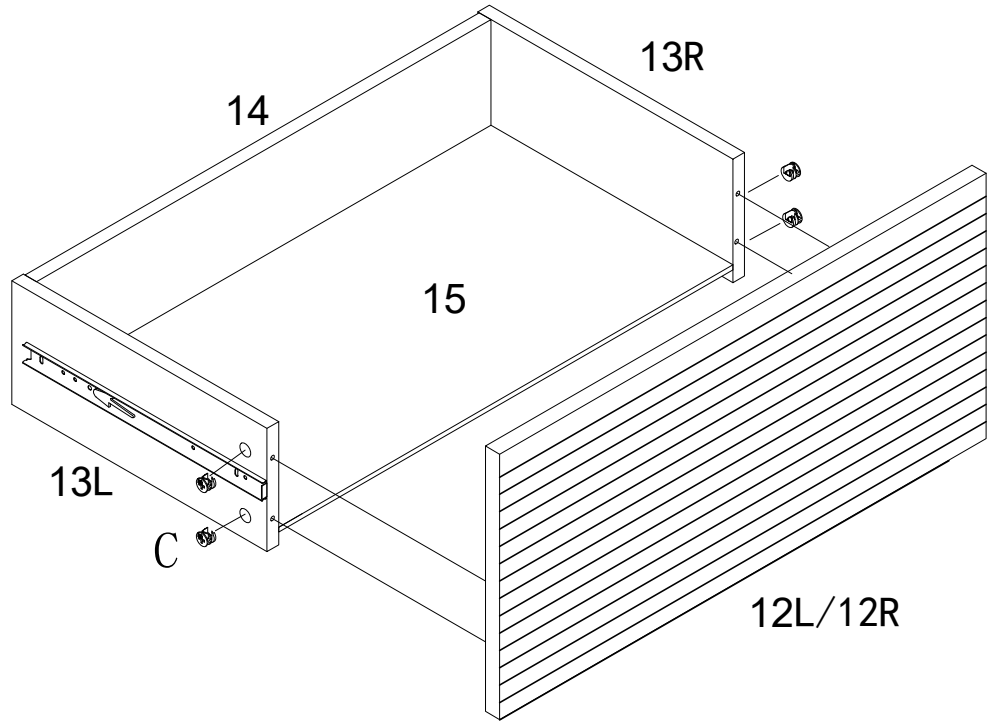
No. K
Quantity: 8 Pcs
Screw
4*30mm



No. B
Quantity: 4 Pcs
Dowel
8*30mm



STEP 15

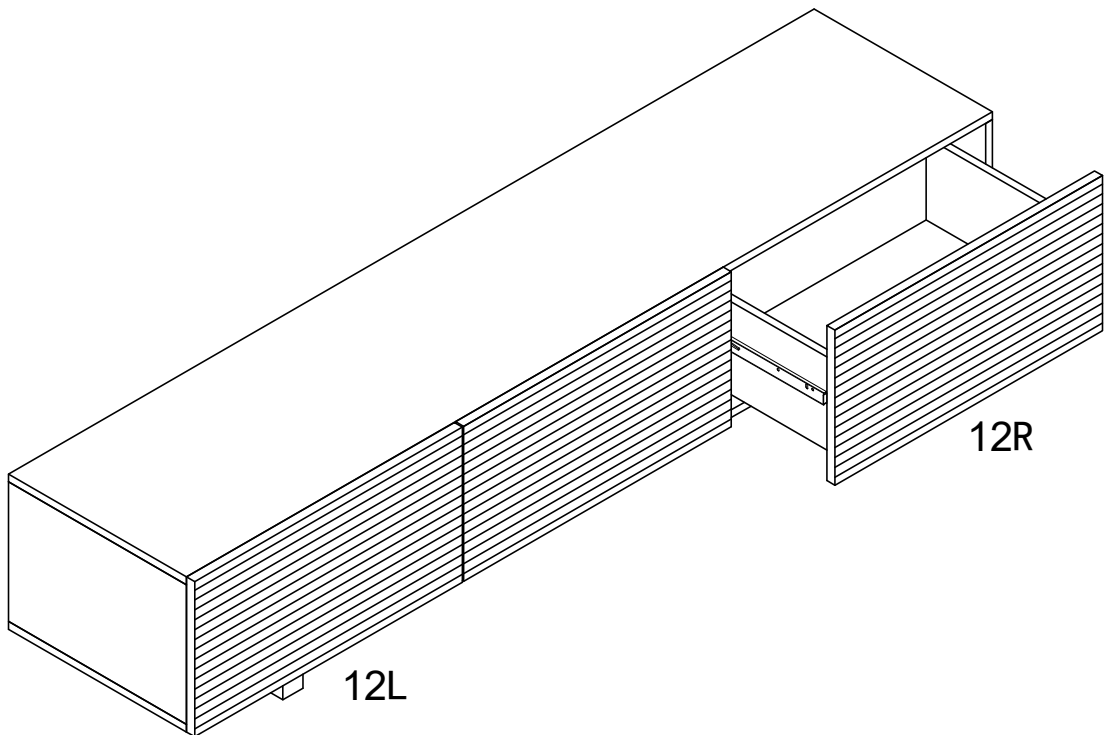


No. C
Quantity: 8 Pcs
Cam Lock

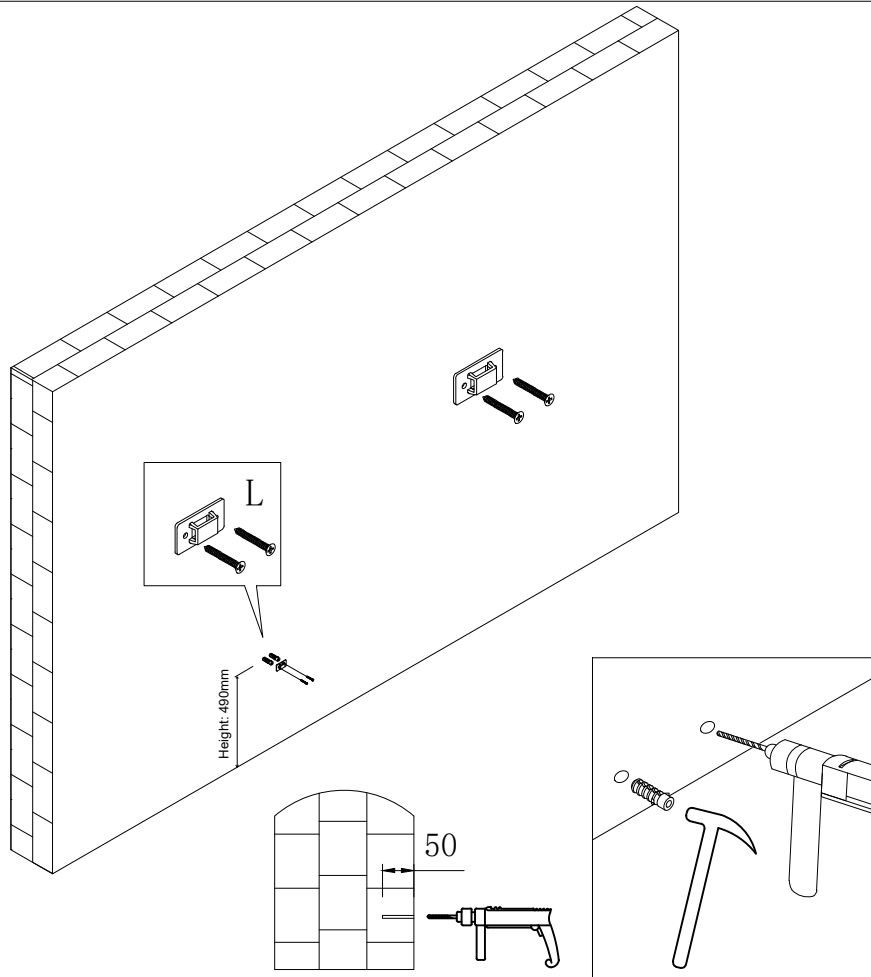


x2

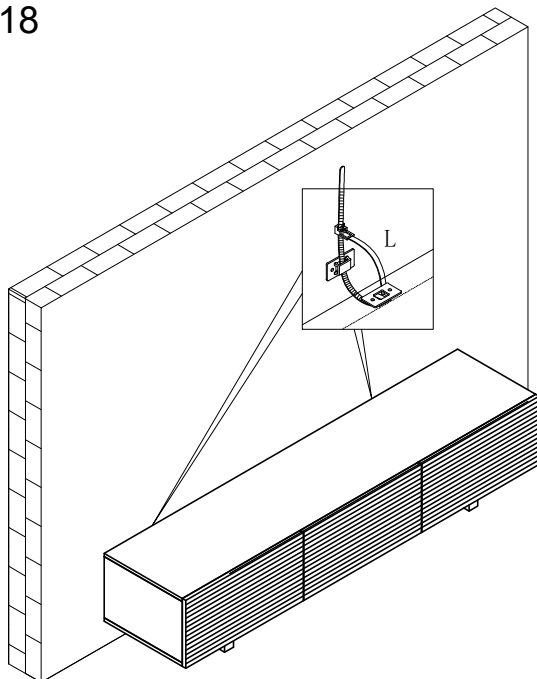
STEP 16



STEP 17



STEP 18



TOPPLING FURNITURE WARNING:

- It is strongly recommended that this product is permanently fixed to the wall.
- Please seek professional advice if you are in doubt of what fixing device to use.
- Regularly check that anchors are securely maintained.
- Stability of tall items may be affected by thick pile carpet or uneven floors .
- Do not place unanchored televisions on furniture .

CAUTION: for your safety when attaching the anchor fixings, please note the following:

- Check any electrical wires or plumbing inside the wall before drilling any holes (if you are unsure please seek professional advice from a qualified tradesperson).



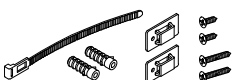
WARNING: PLEASE SECURE YOUR FURNITURE WITH THE SUPPLIED WALL FIXING. SCAN THE CODE FOR MORE INFORMATION.



No. L

Quantity: 2 Set

Anti-falling Parts



Note:

Please lift up the furniture by two people when moving is needed. Dragging may cause the legs failure.

lifely.com.au

Great job. You're done!

Don't forget to share how it looks in
your space and tag us on Instagram.
[@lifelyhome](#)[#homewithlifely!](#)