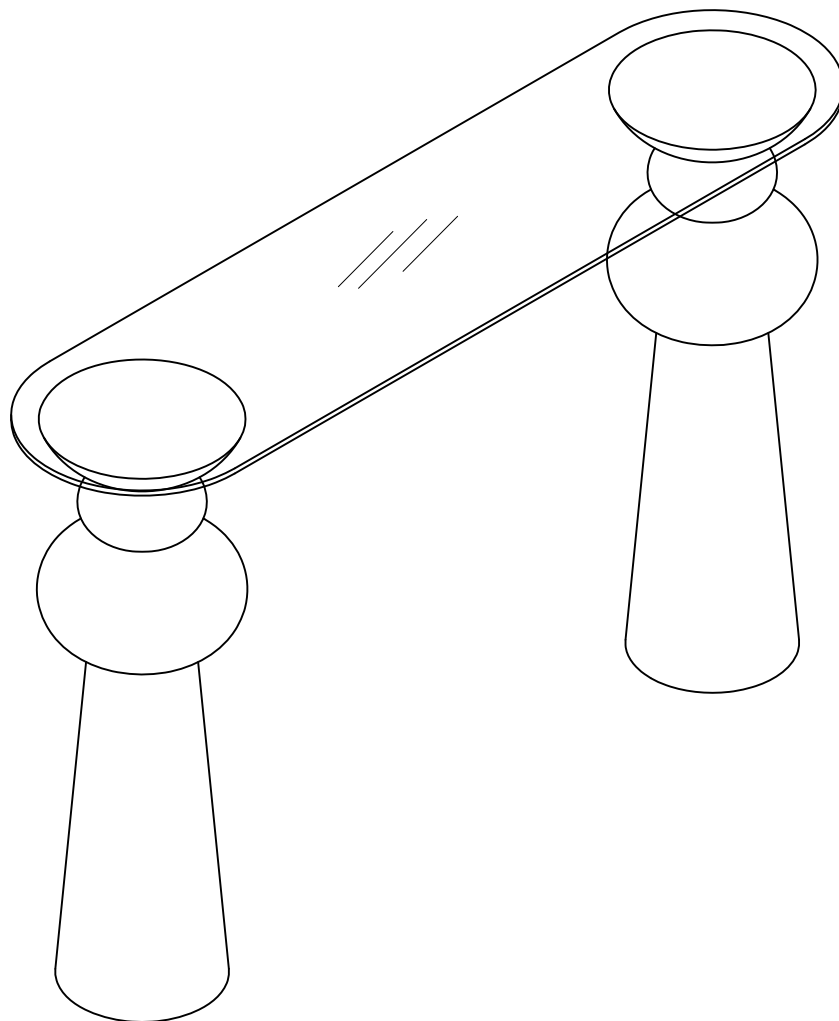


# Assembly Instructions

## Knight Series



# Lifely\*

### Product Code

KNT-CST-WHT Knight Console Table

### Dimensions (W x D x H)

1346\*330\*861mm

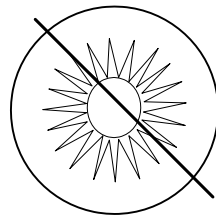
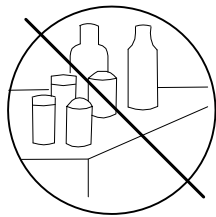
---

### Important

Please read through instruction carefully  
Before assembly and keep for future reference.

For our full catalogue of assembly instructions,  
Visit: [lifely.com.au/assembly](http://lifely.com.au/assembly).

## Important Tips and Maintenance

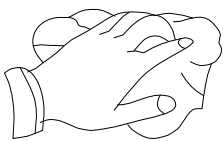


1. Keep children and animals away from working area as smaller parts may cause choking if swallowed.

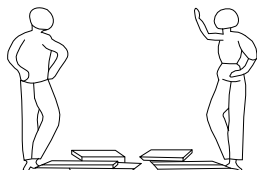
2. Never place liquids or anything damp upon furniture as it will mark. Ensure a coaster or running is beneath.

3. Never use ammonia based cleaning products as it will damage the finish.

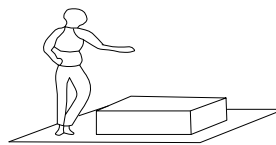
4. To avoid fading, keep furniture out of direct sunlight.



5. Use a soft or damp cloth(dry cloth)when wiping or cleaning surfaces.



6. Two person are required.



7. Lay a soft matt down to protect the furniture piece before and during assembly.

So your relationship is strong. But is it flat-pack furniture strong? Unless you're an aerospace engineer, assembling furniture can be slightly stressful. We recommend meditating quietly, pouring yourself a herbal tea (or slightly less herbal wine) and tackling things one step at a time. If you feel a passive aggressive remark coming on, try a compliment instead. E.g. "You're so good looking."

This 4-step assembly should take around 15 minutes with an Allen key - or 10 minutes with an electric drill.

Designed for everyday

## Component Hardware

Please check you have all the fittings  
part or tools are listed in below.

### No. A

Quantity:6 Pcs  
3M Glue  
 $\phi$  50mm

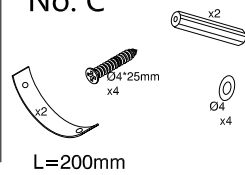


### No. B

Quantity:1 Pc  
Key  
5mm



### No. C



### No. D

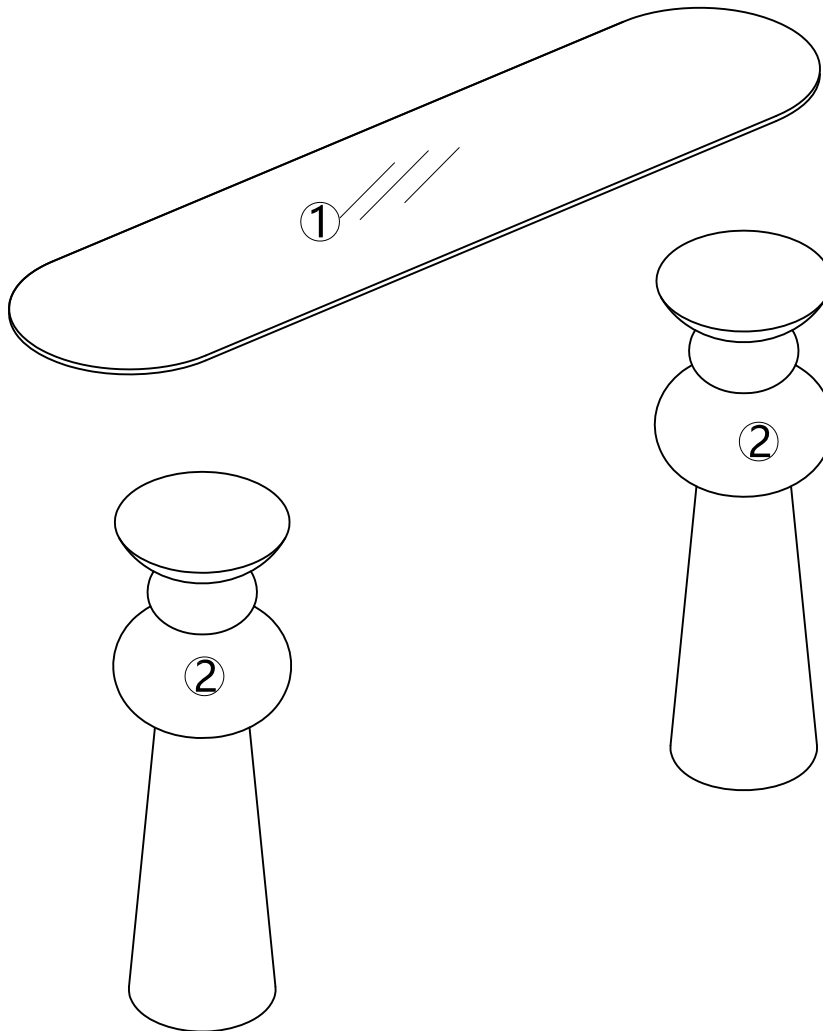
Quantity:1 Pair  
Gloves



## Component Panels & part List

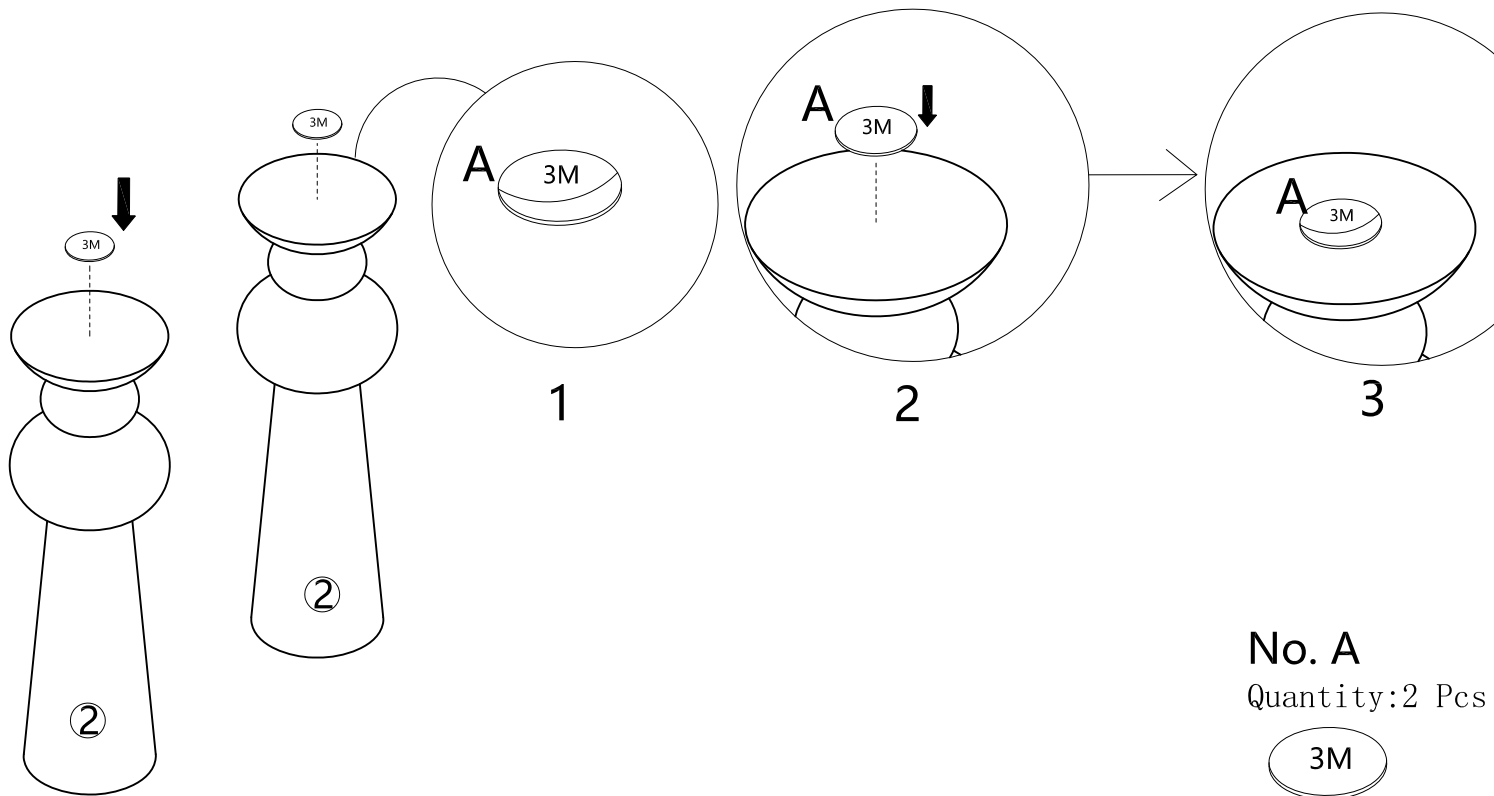
Please check you have all the panels  
are listed below.

1. Top Glass-----x1 CTN 2/2
2. Leg -----x2 CTN 1/2

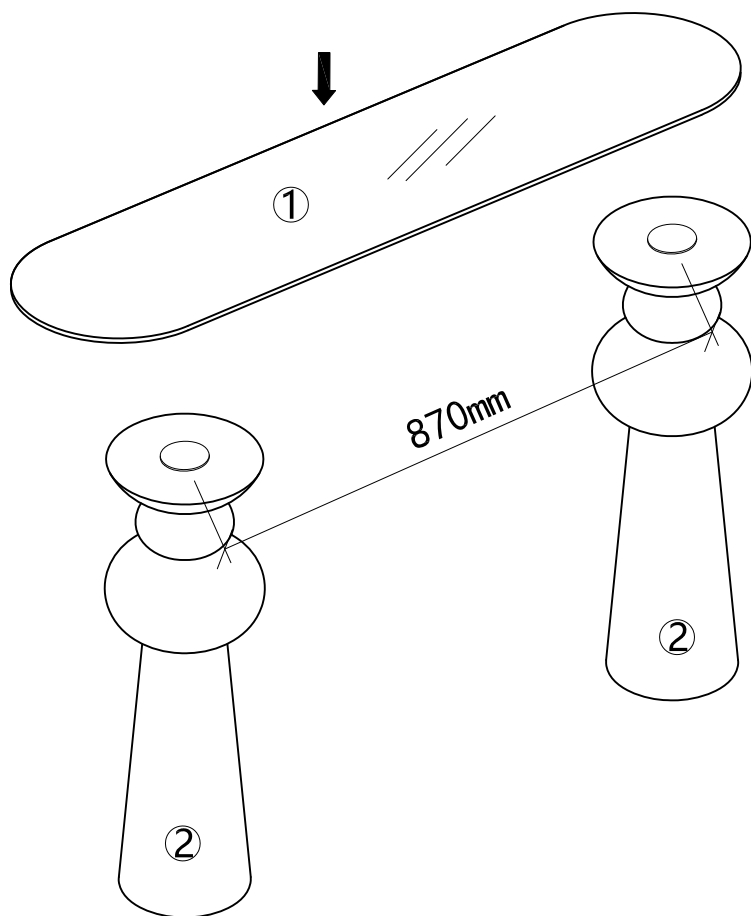


## STEP 1

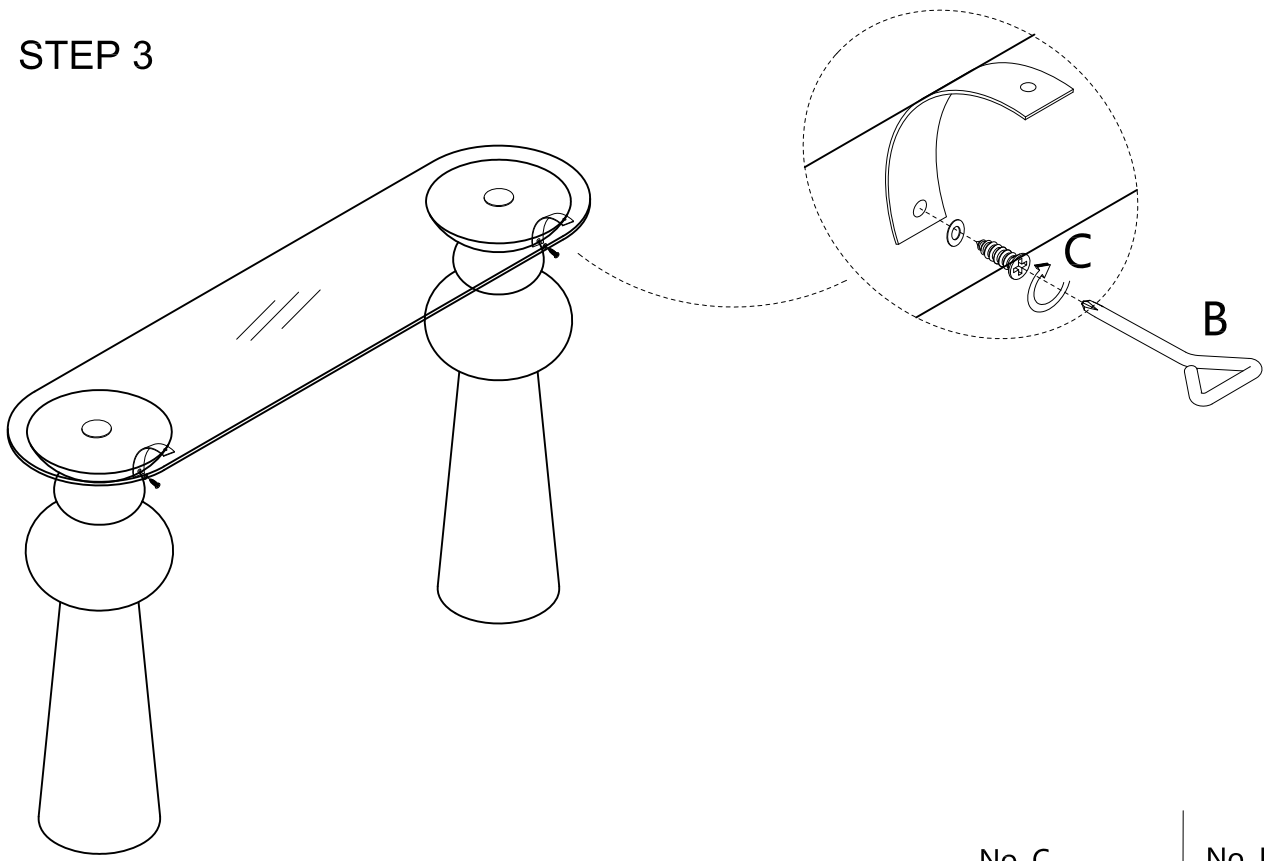
Remove the one side of the protective film of 3M carefully, then stick it on the top of the base, then remove the other side of the protective film of 3M carefully.



**STEP 2** Please note the uneven ground will impact the stability of the product, suggest have the product on the even ground and press the glass to glue with the base strongly.



### STEP 3

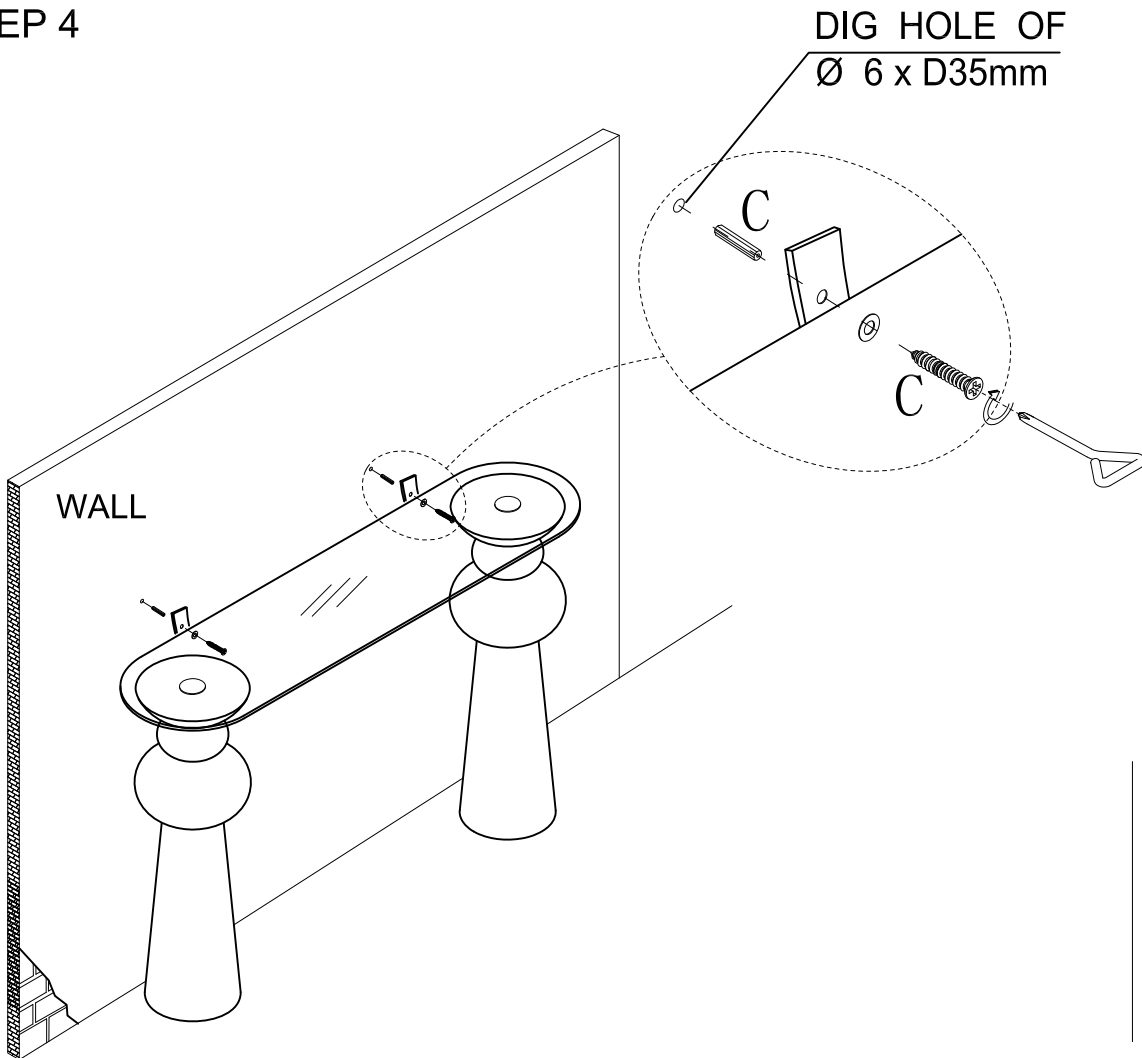


No. C  
Quantity: 2 Pcs

No. B  
Quantity: 1 Pc



### STEP 4



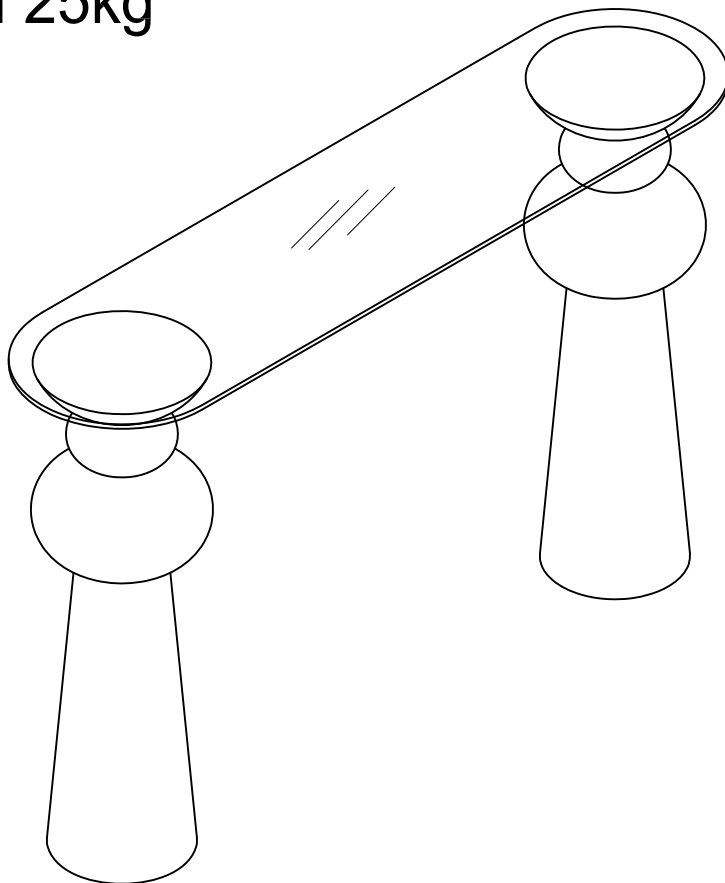
DIG HOLE OF  
Ø 6 x D35mm

WALL

No. C  
Quantity: 2 Pcs



Max load 25kg



**TOPPLING FURNITURE WARNING:**

- **It is strongly recommended that this product is permanently fixed to the wall.**
- **Please seek professional advice if you are in doubt of what fixing device to use.**
- **Regularly check that anchors are securely maintained.**
- **Stability of tall items may be affected by thick pile carpet or uneven floors .**
- **Do not place unanchored televisions on furniture .**

**CAUTION:** for your safety when attaching the anchor fixings, please note the following:

- **Check any electrical wires or plumbing inside the wall before drilling any holes (if you are unsure please seek professional advice from a qualified tradesperson).**



**WARNING: PLEASE SECURE YOUR FURNITURE WITH THE SUPPLIED WALL FIXING. SCAN THE CODE FOR MORE INFORMATION.**





Great job. You're done!

Don't forget to share how it looks in  
your space and tag us on Instagram.

@lifelyhome #homewithlifely!