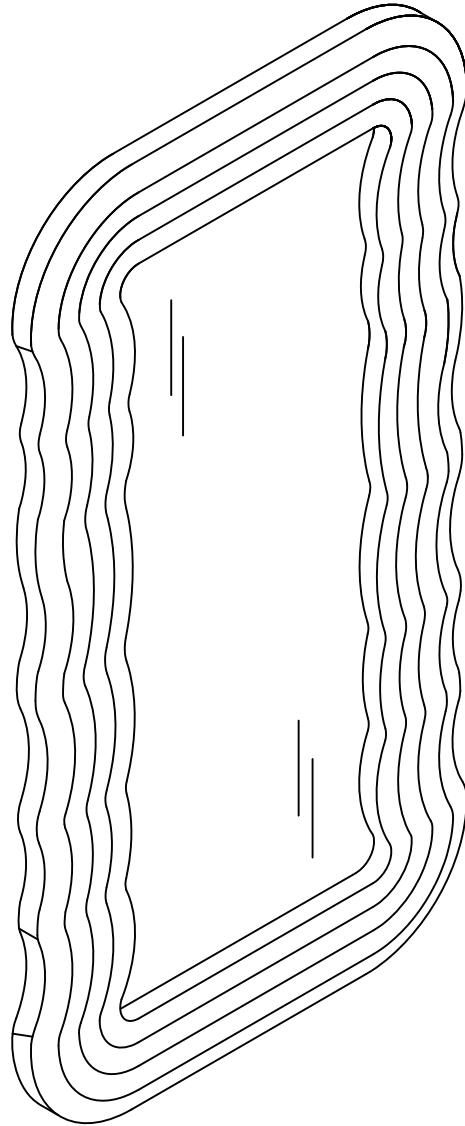


# Assembly Instructions

## Klaudia Series



### Product Code

KLDA-MR-WHT Klaudia Mirror

### Dimensions(W x D x H)

960\*50\*1790mm

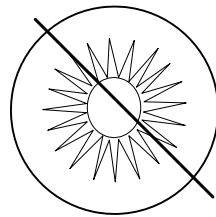
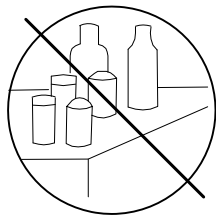
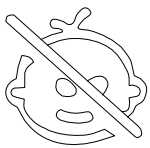
---

### Important

Please read through instruction carefully  
Before assembly and keep for future reference.

For our full catalogue of assembly instructions,  
Visit: [lifely.com.au/assembly](http://lifely.com.au/assembly).

## Important Tips and Maintenance

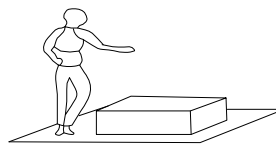
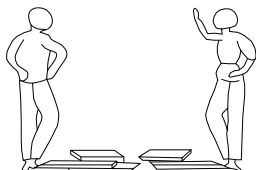
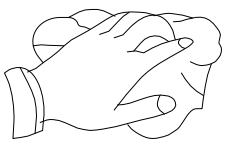


1. Keep children and animals away from working area as smaller parts may cause choking if swallowed.

2. Never place liquids or anything damp upon furniture as it will mark. Ensure a coaster or running is beneath.

3. Never use ammonia based cleaning products as it will damage the finish.

4. To avoid fading, keep furniture out of direct sunlight.



5. Use a soft or damp cloth when wiping or cleaning surfaces.

6. Two person are required.

7. Lay a soft matt down to protect the furniture piece before and during assembly.

So your relationship is strong. But is it flat-pack furniture strong? Unless you're an aerospace engineer, assembling furniture can be slightly stressful. We recommend meditating quietly, pouring yourself a herbal tea (or slightly less herbal wine) and tackling things one step at a time. If you feel a passive aggressive remark coming on, try a compliment instead. E.g. "You're so good looking."

This 3-step assembly should take around 20 minutes with an Allen key - or 10 minutes with an electric drill.

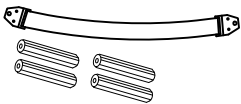
Designed for everyday

## Component Hardware

Please check you have all the fittings  
part or tools are listed in below.

No. A

Quantity:1 Set  
Anti - dumping  
L=250mm



No. B

Quantity:6 Sets  
Screw  
 $\phi 4 \times 25\text{mm}$



No. C

Quantity:1 Pc  
Key  
5mm



No. D

Quantity:2 Pcs  
Angle iron



No. E

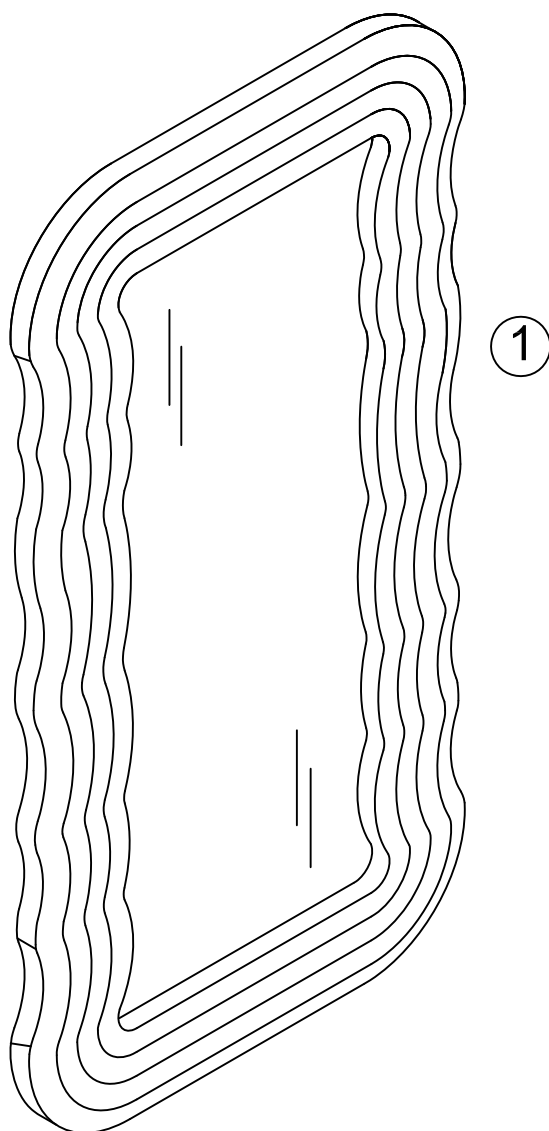
Quantity:1 Pair  
Gloves



## Component Panels & Part List

Please check you have all the panels  
are listed below.

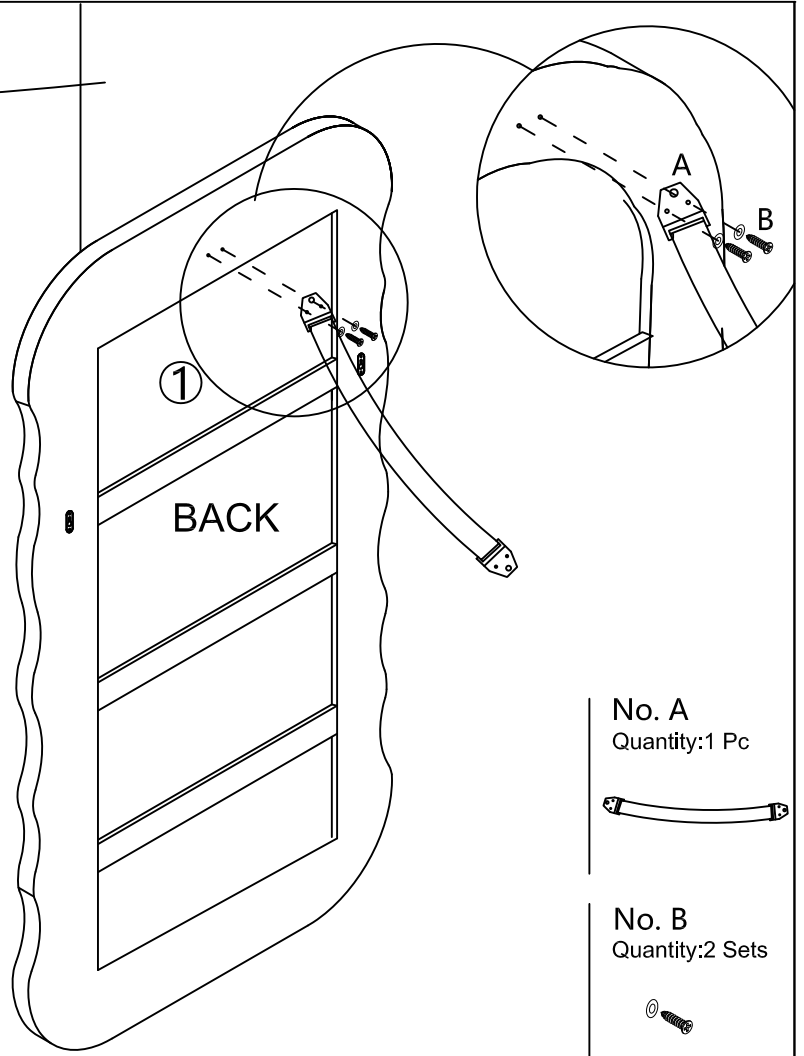
1. Mirror - - - - - x1



# OPTION 1:

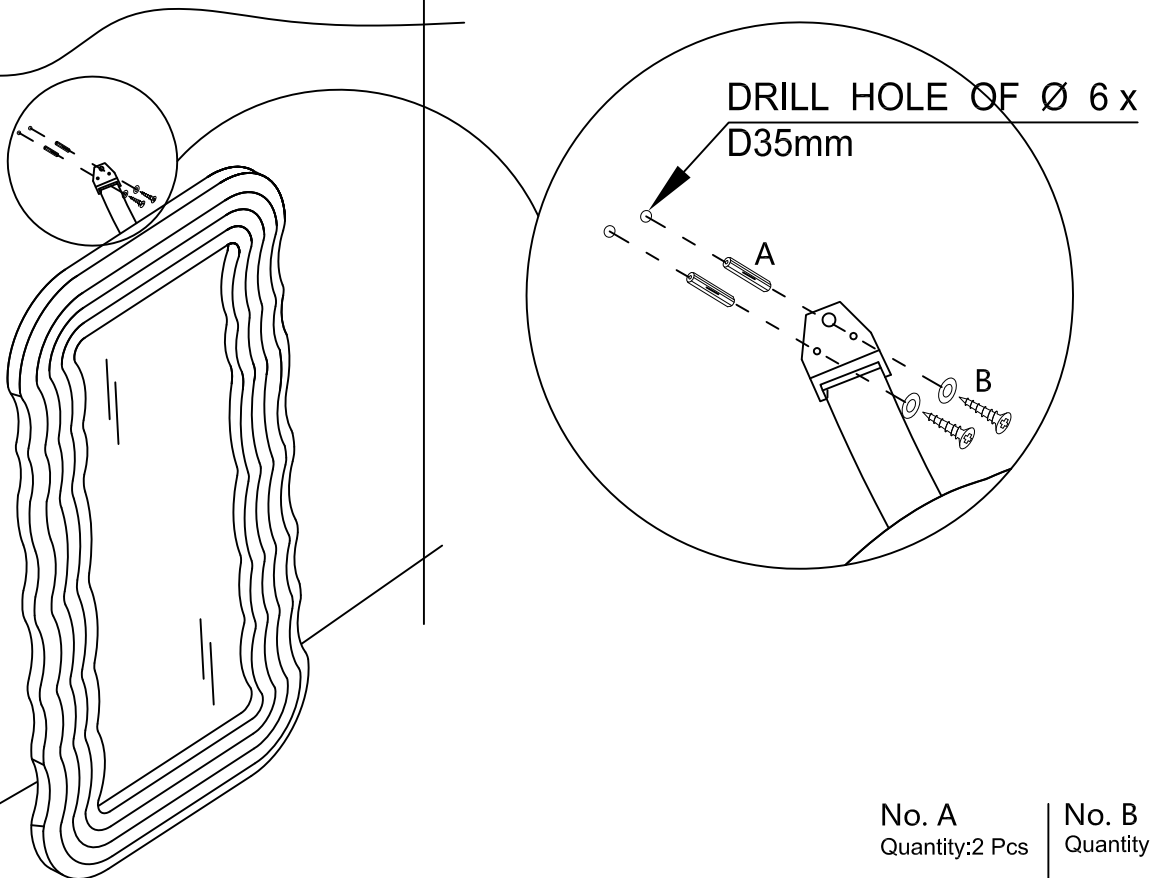
## STEP 1

WALL



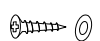
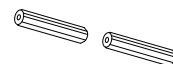
## STEP 2

WALL



No. A  
Quantity:2 Pcs

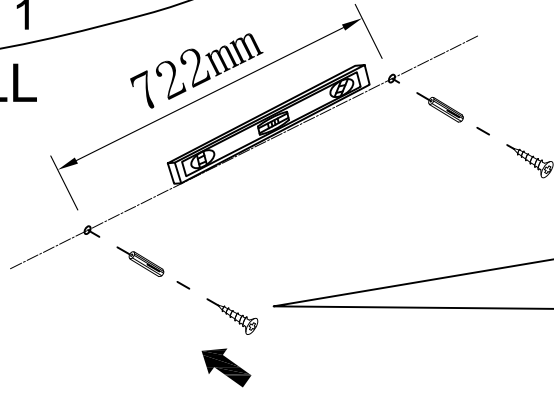
No. B  
Quantity:2 Sets



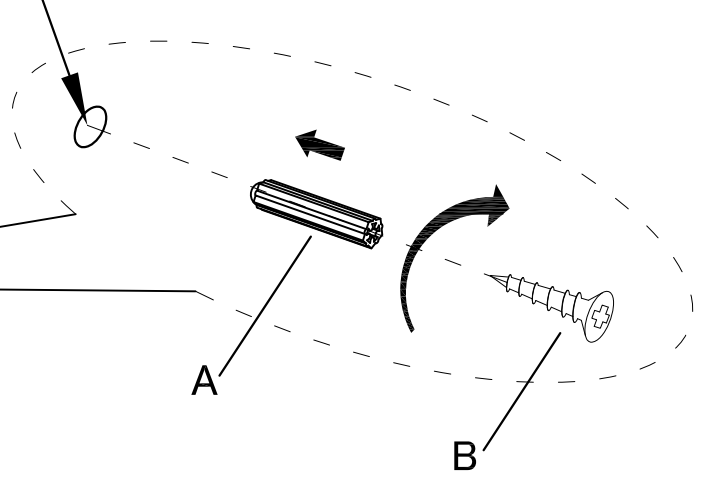
# OPTION 2:

## STEP 1

WALL

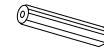


DRILL HOLES OF  $\varnothing 6 \times D35\text{mm}$



No. A

Quantity: 2 Pcs



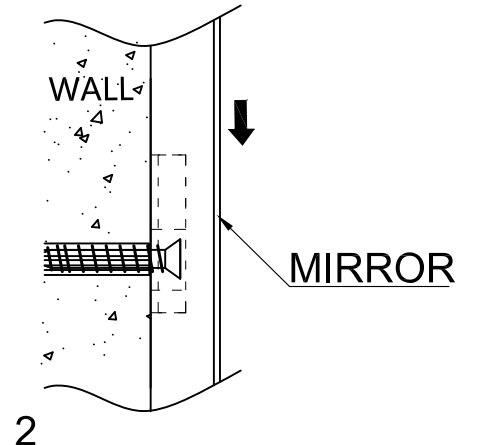
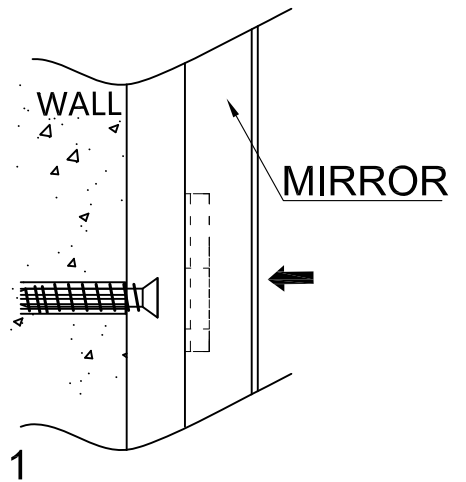
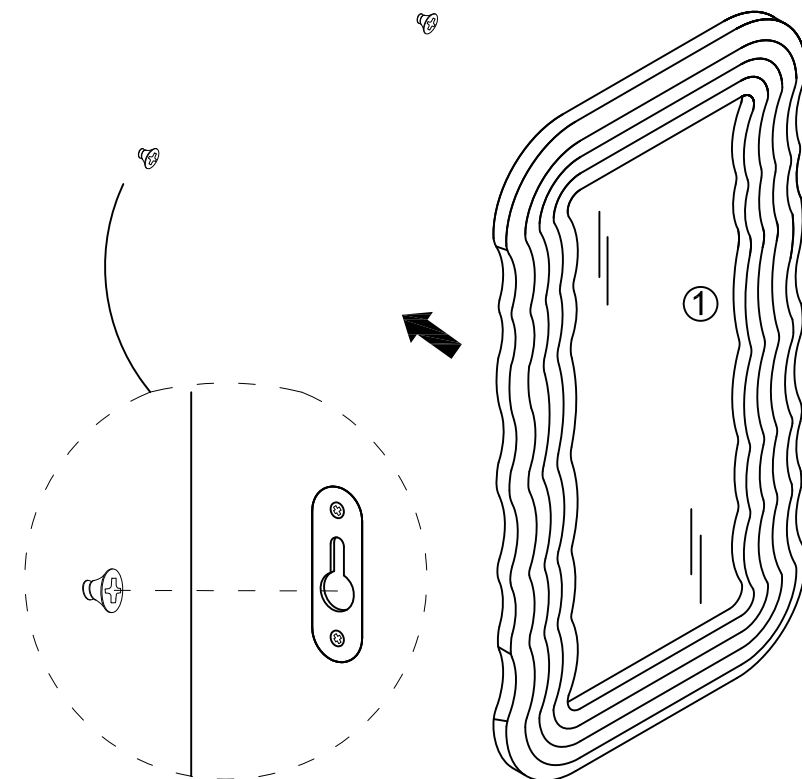
No. B

Quantity: 2 Pcs



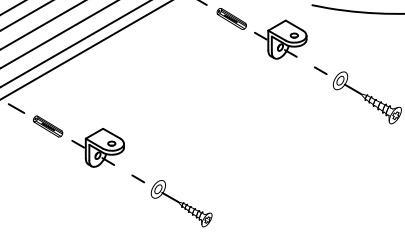
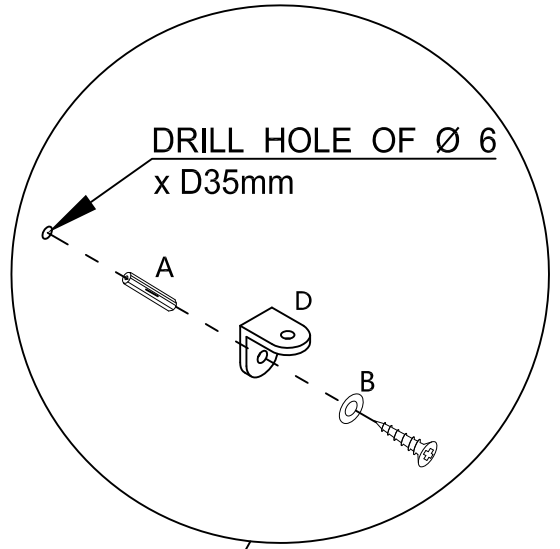
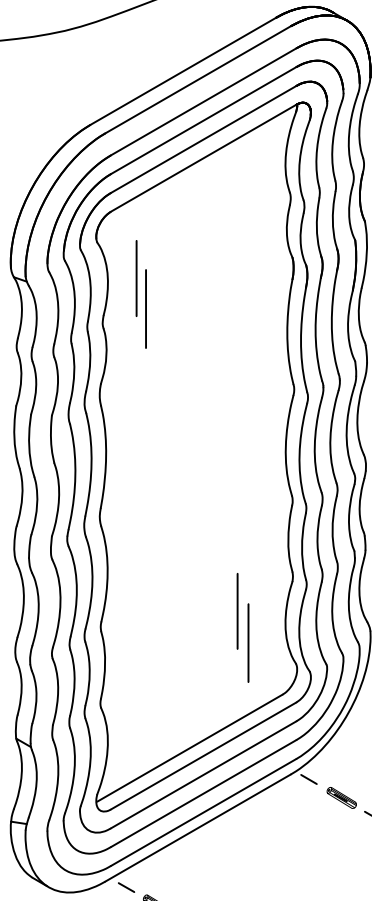
## STEP 2

WALL



# STEP 3

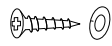
## WALL



No. A  
Quantity: 2 Pcs



No. B  
Quantity: 2 Sets



No. D  
Quantity: 2 Pcs





[lifely.com.au](https://lifely.com.au)

Great job. You're done!

Don't forget to share how it looks in  
your space and tag us on Instagram.

@lifelyhome #homewithlifely!