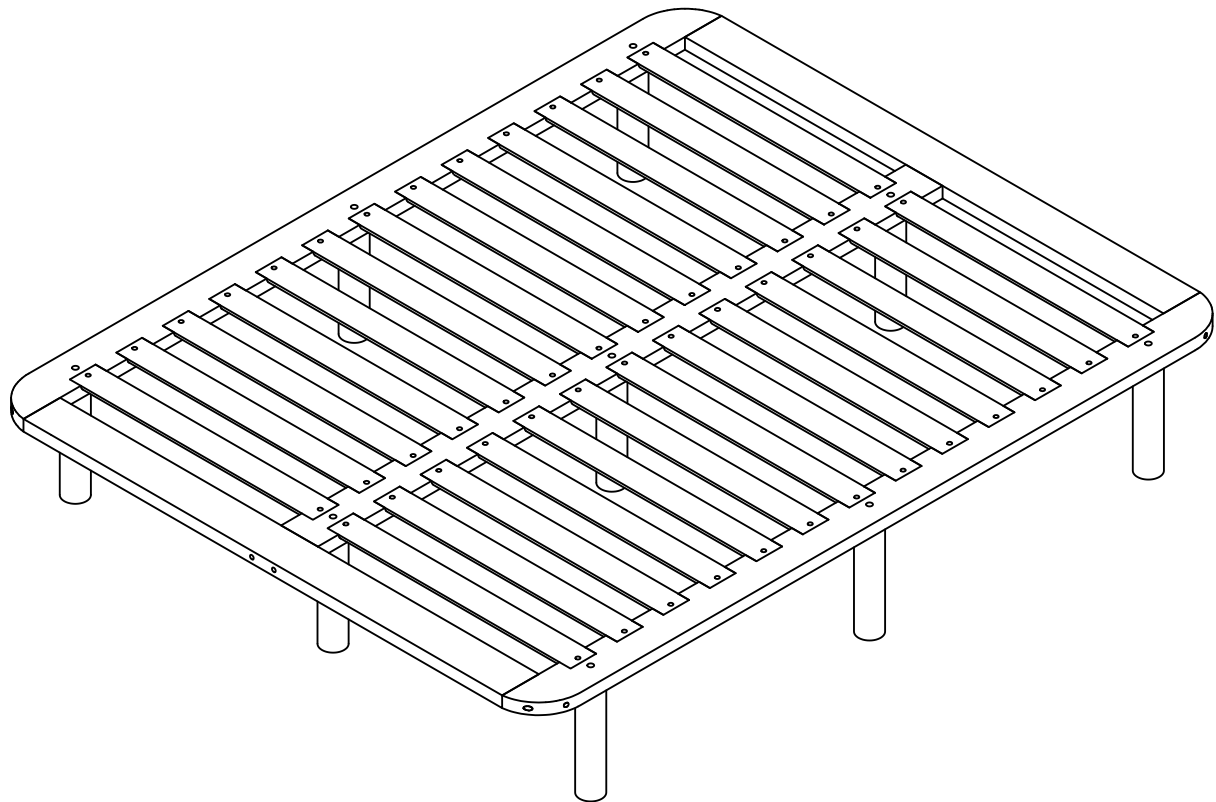


Assembly Instructions

Cali Series



Lifely*

Product Code

CL-WB117-KS-WNT	Cali Wooden Bed Base
CL-WB147-D-WNT	Cali Wooden Bed Base
CL-WB163-Q-WNT	Cali Wooden Bed Base
CL-WB193-K-WNT	Cali Wooden Bed Base

Dimensions(W x D x H)

117x203x30cm
147x193x30cm
163x208x30cm
193x208x30cm

Important

Please read through instruction carefully
Before assembly and keep for future reference.
For our full catalogue of assembly instructions,
Visit: lifely.com.au/assembly.

Important Tips and Maintenance



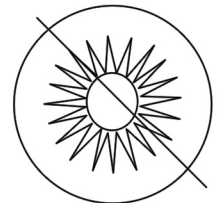
1. Keep children and animals away from working area as smaller parts may cause choking if swallowed.



2. Never place liquids or anything damp upon furniture as it will mark. Ensure a coaster or running is beneath.



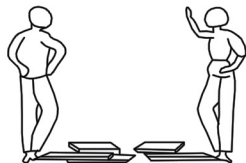
3. Never use ammonia based cleaning products as it will damage the finish.



4. To avoid fading, keep furniture out of direct sunlight.



5. Use a soft or damp cloth (dry cloth) when wiping or cleaning surfaces.



6. Two person are required.



7. Lay a soft mat down to protect the furniture piece before and during assembly.

So your relationship is strong. But is it flat-pack furniture strong? Unless you're an aerospace engineer, assembling furniture can be slightly stressful. We recommend meditating quietly, pouring yourself a herbal tea (or slightly less herbal wine) and tackling things one step at a time. If you feel a passive aggressive remark coming on, try a compliment instead .E.g."You're so good looking".

This 4-Step assembly should take around 40 minutes with an Allen Key-or 25minutes with an electric drill. Godspeed.

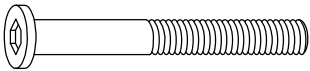
Designed for everyday

Component Hardware

Please check you have all the fittings
part or tools are listed in below.

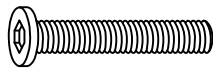
No. A

Quantity: 8Pcs
Screw M8x120mm



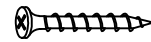
No. B

Quantity: 4Pcs
Screw M8x70mm



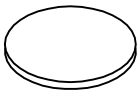
No.C

Quantity: 52Pcs
Screw M4x25mm



No. D

Quantity: 9Pcs
Felt



No. E

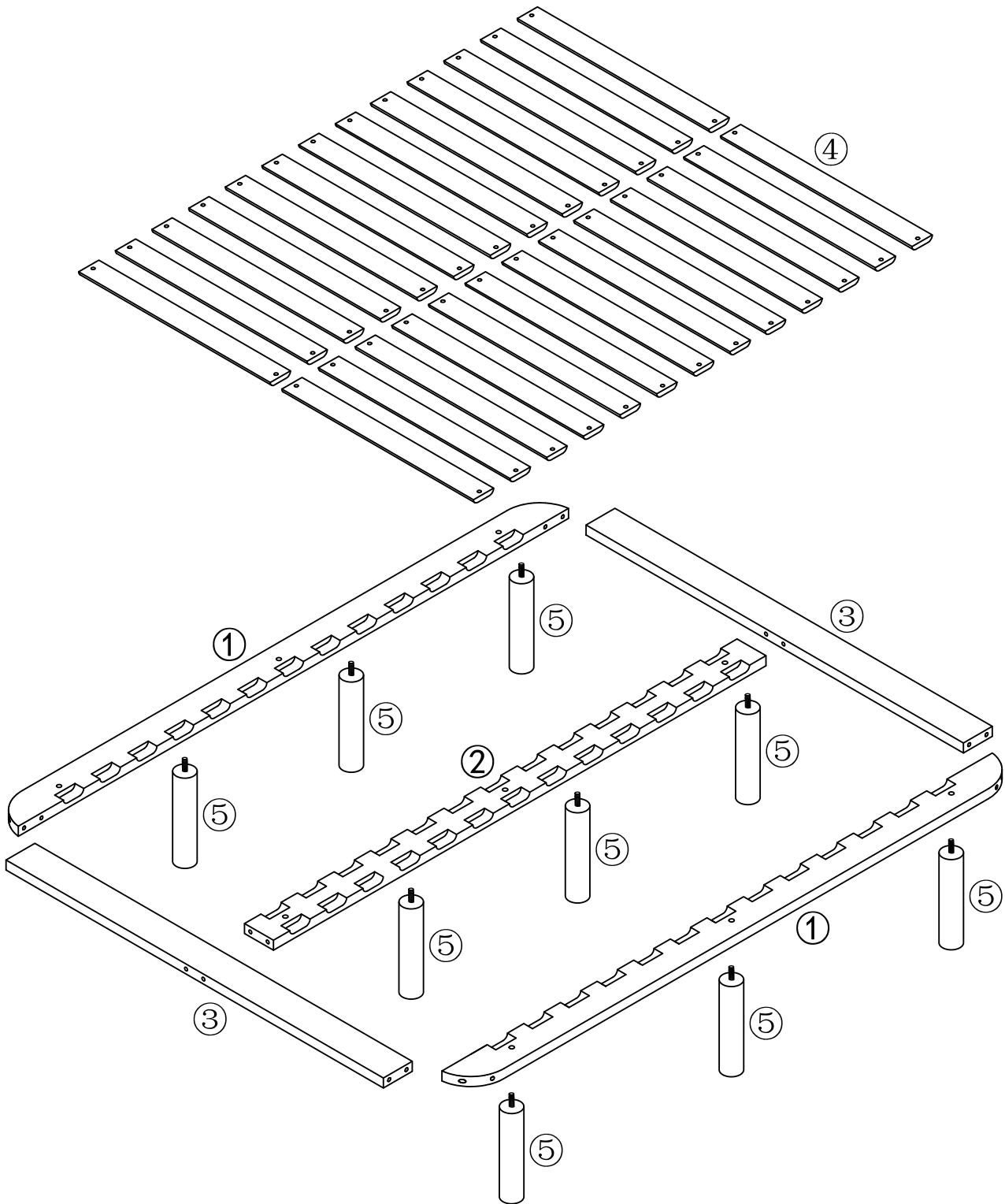
Quantity: 1Pc
Allen Key N5



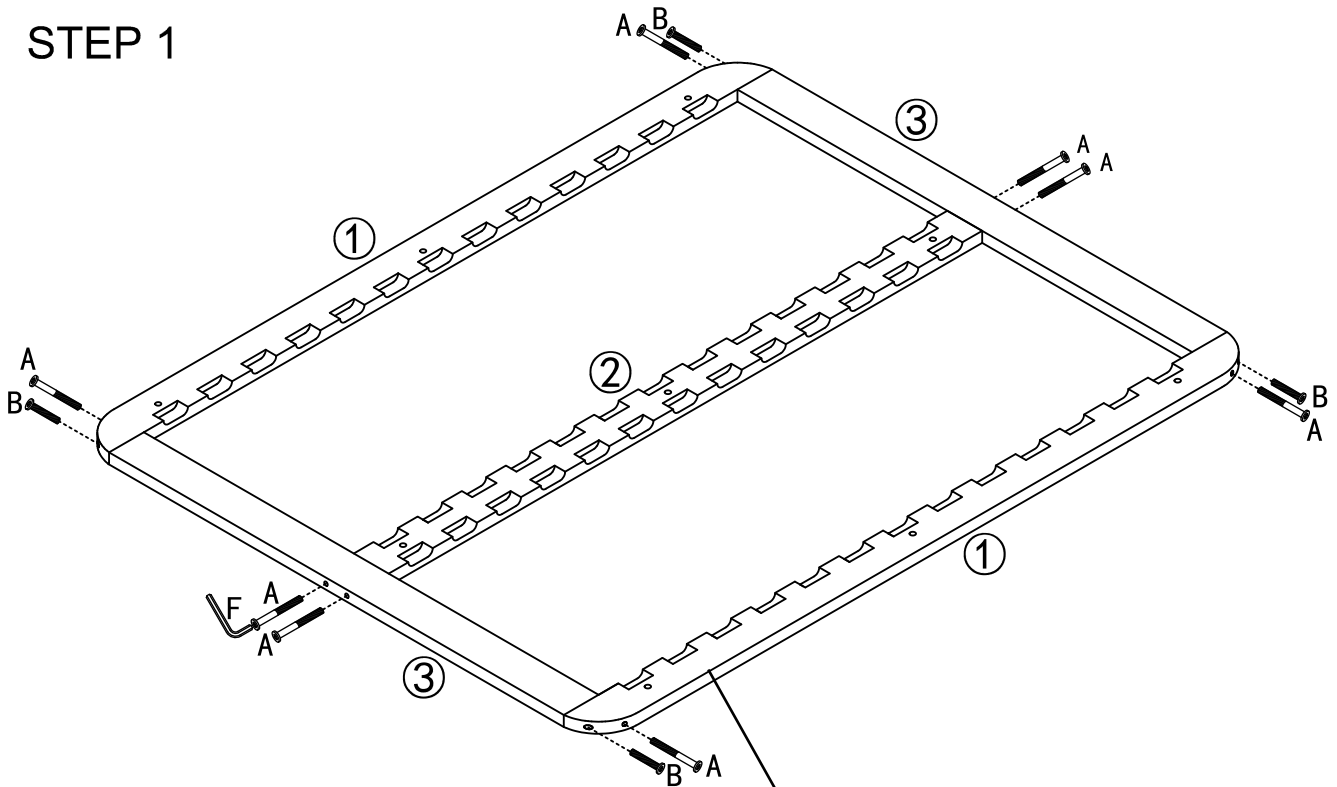
Component Part List

Please check you have all the parts are listed below.

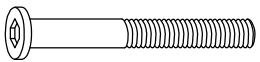
- 1. Side rail -----x2
- 2. Center rail -----x1
- 3. End/Front rail -----x2
- 4. Bed slats -----x26
- 5. Bed legs -----x9



STEP 1



No. A
Quantity: 8Pcs
Screw M8x120mm



No. B
Quantity: 4Pcs
Screw M8x70mm

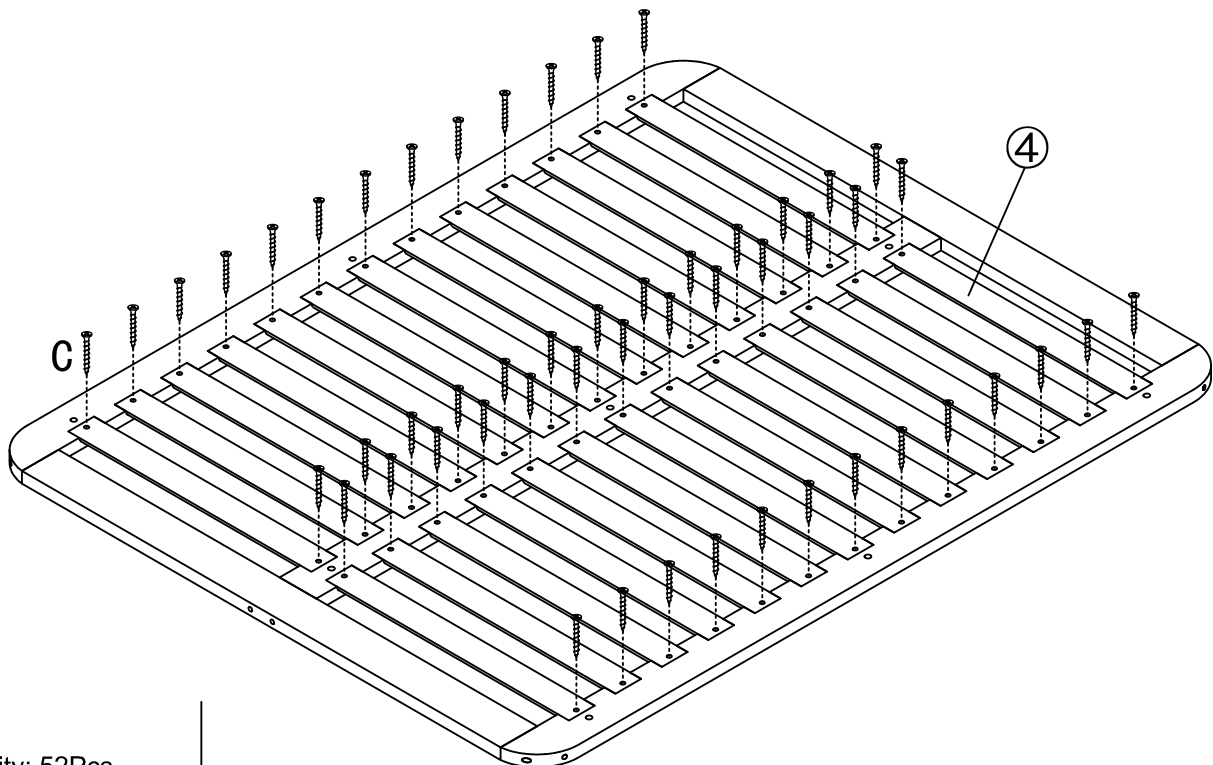


No. E
Quantity: 1Pc
Allen Key N5

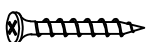


Warning:
This side with the slots is facing up.

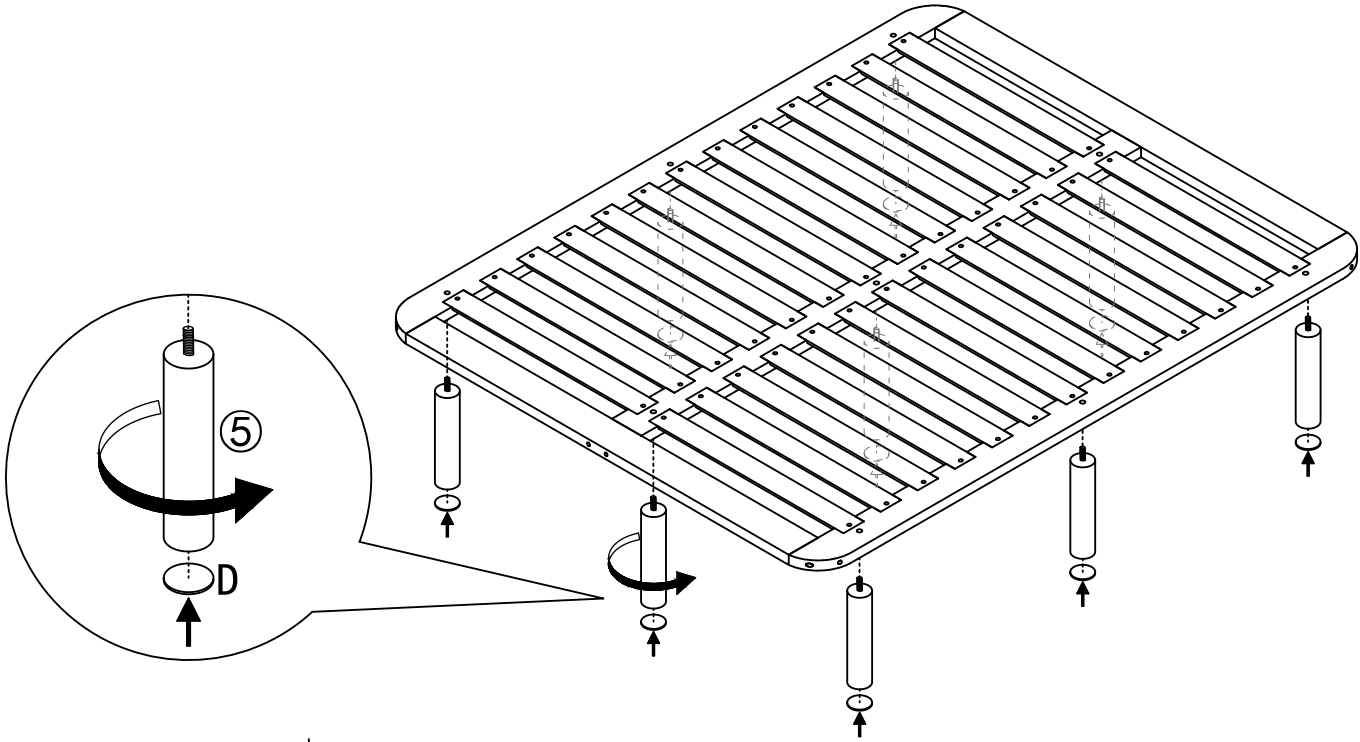
STEP 2



No. C
Quantity: 52Pcs
Screw M4x25mm



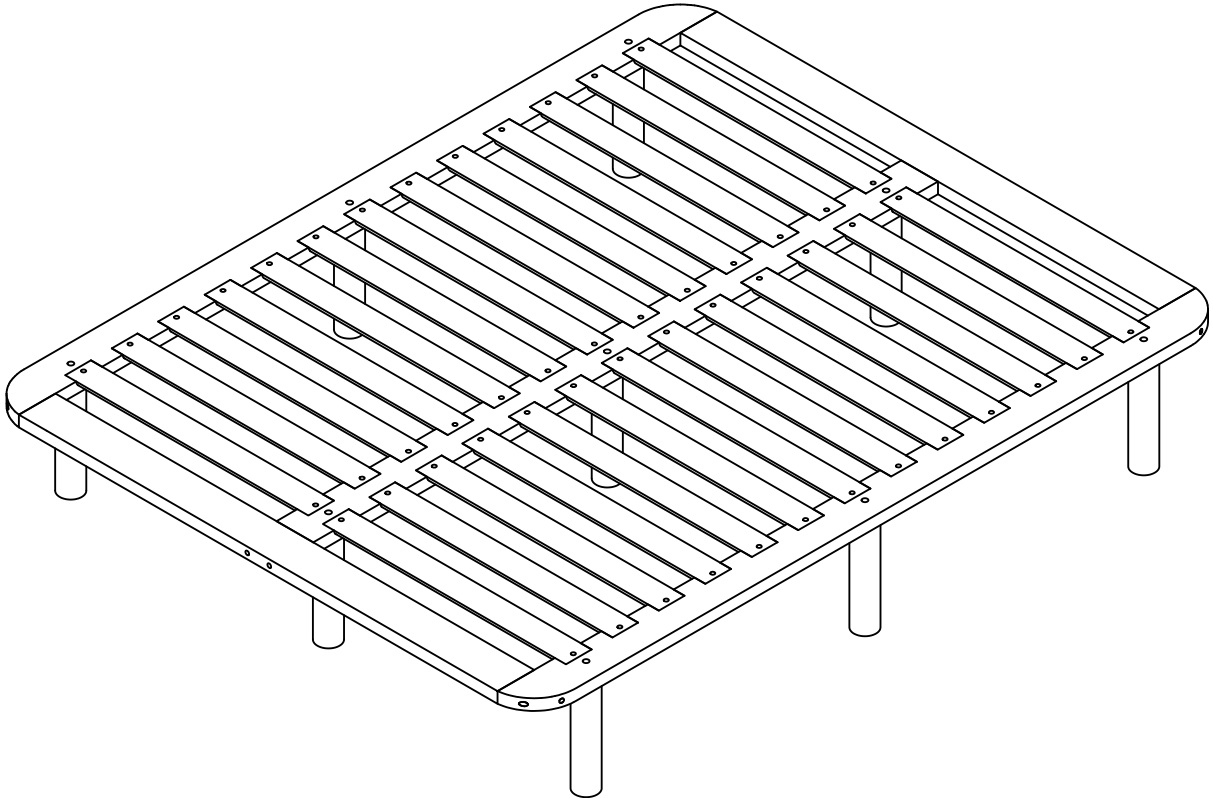
STEP 3



No. D
Quantity: 9Pcs
Felt



STEP 4



Great job. You're done!

Don't forget to share how it looks in
your space and tag us on Instagram.

@lifelyhome#homewithlifely!