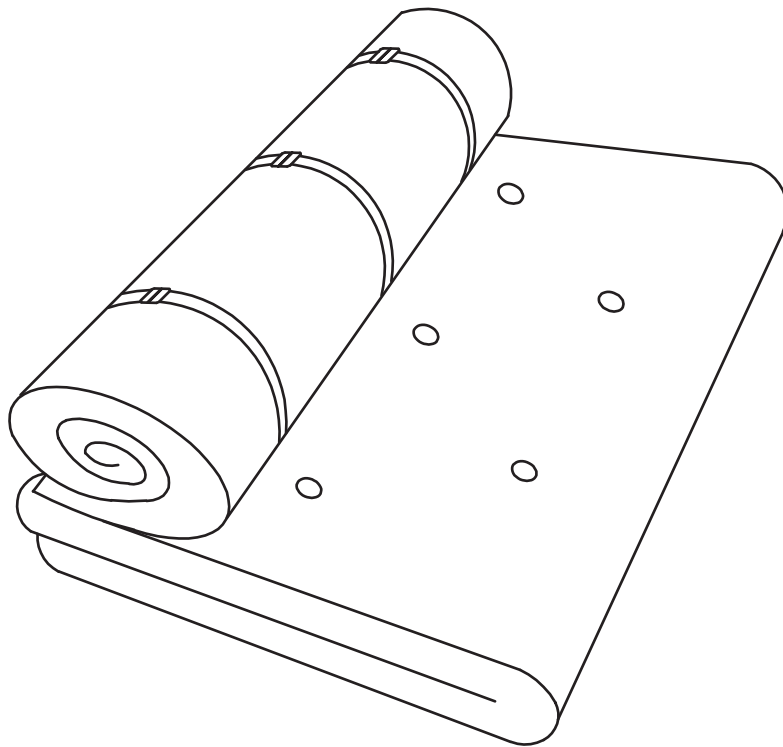


Assembly Instructions

Rollie Buckle-Up Sofa Bed



Lifely*

Product Code

Rollie Buckle-up Sofa Bed

Dimensions(W x D x H)

1390*930*565mm

Important

Please read through instruction carefully
Before assembly and keep for future reference.

For our full catalogue of assembly instructions.
Visit:lifely.com.au/assembly.

Important Tips and Maintenance



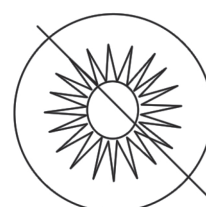
1. Keep children and animals away from working area as smaller parts may cause choking if swallowed.



2. Never place liquids or anything damp upon furniture as it will mark. Ensure a coaster or running is beneath.



3. Never use ammonia based cleaning products as it will damage the finish.



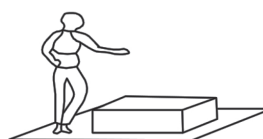
4. To avoid fading, keep furniture out of direct sunlight.



5. Use a soft or damp cloth (dry cloth) when wiping or cleaning surfaces.



6. Two person are required.



7. Lay a soft mat down to protect the furniture piece before and during assembly.

So your relationship is strong. But is it flat-pack furniture strong? Unless you're an aerospace engineer, assembling furniture can be slightly stressful. We recommend meditating quietly, pouring yourself a herbal tea (or slightly less herbal wine) and tackling things one step at a time. If you feel a passive aggressive remark coming on, try a compliment instead. E.g. " You're so good looking ".

This 5-Step assembly should take around 25 minutes.

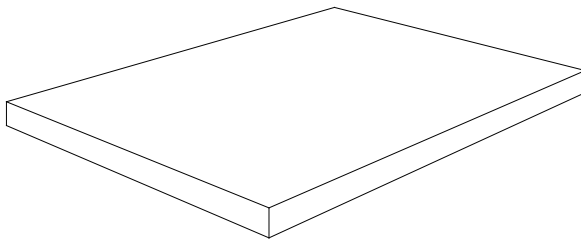
Designed for everyday

Component Hardware

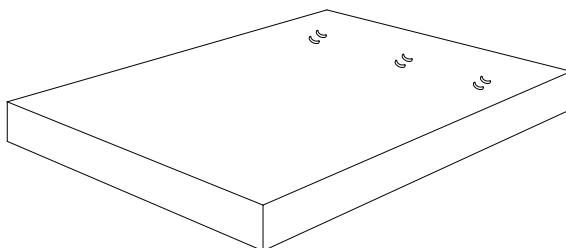
Please check you have all the fittings
part or tools are listed in below.



x 3



x 1



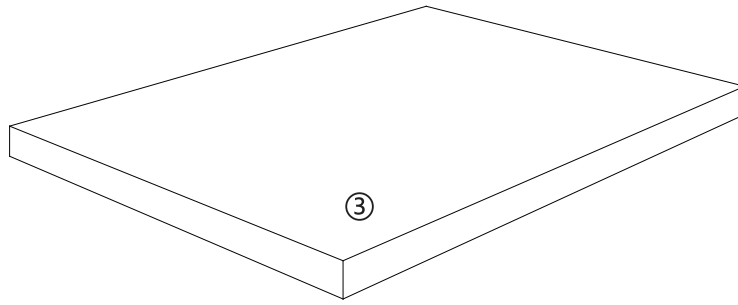
x 1

Component Panels & part List

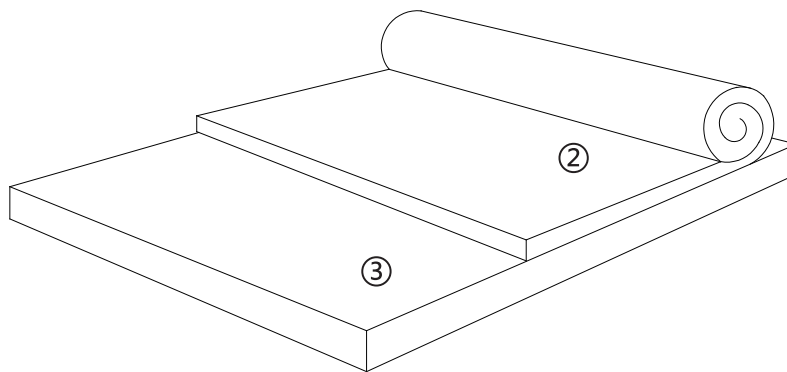
Please check you have all the panels
are listed below.

- 1. Belt ————— x3 Carton 1/2
- 2. Topper ————— x1 Carton 1/2
- 3. Base ————— x1 Carton 2/2

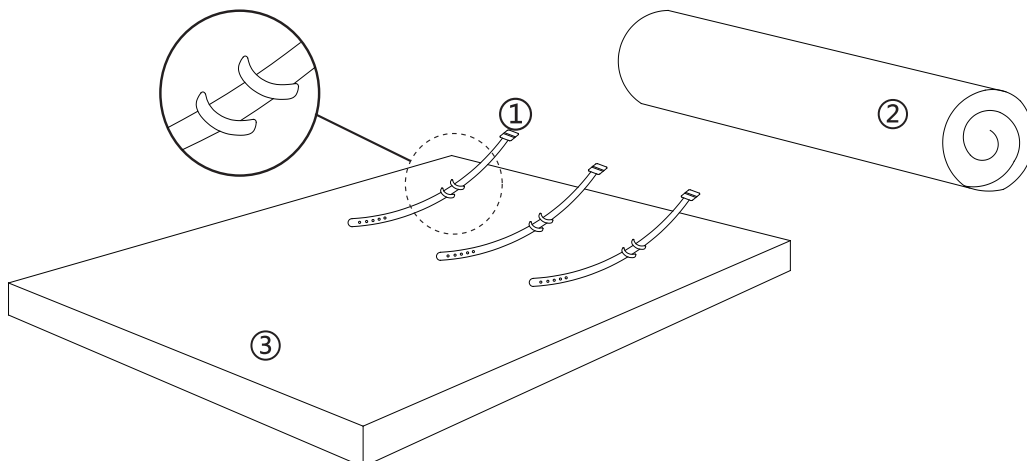
STEP 1



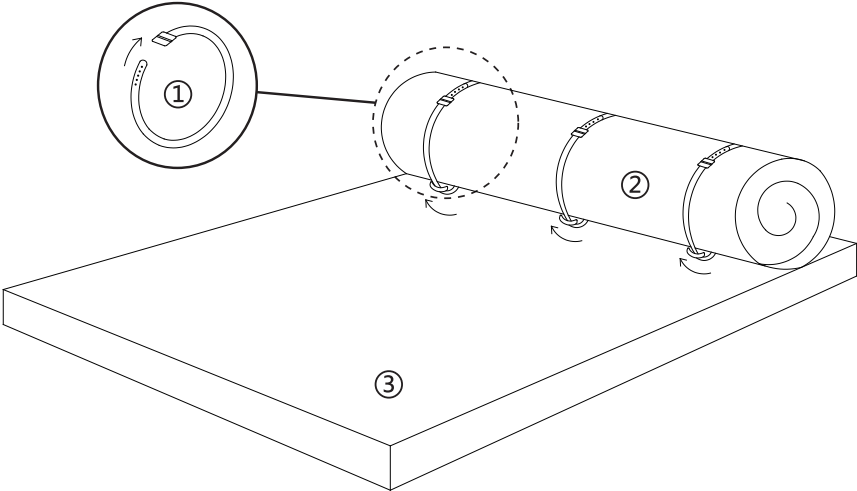
STEP 2



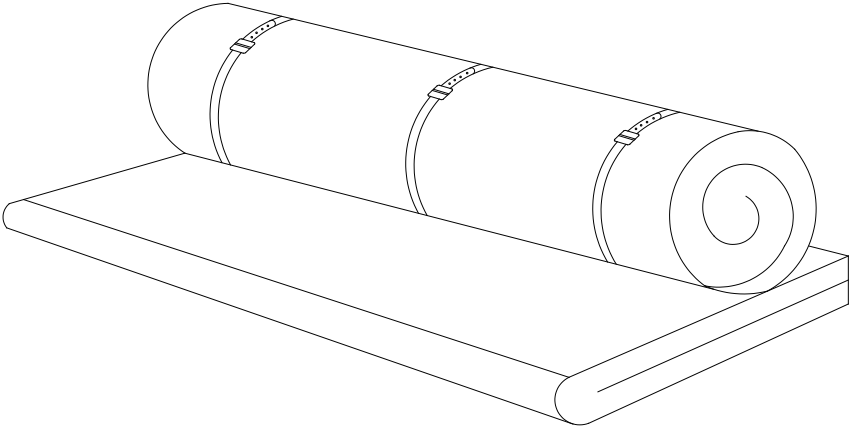
STEP 3



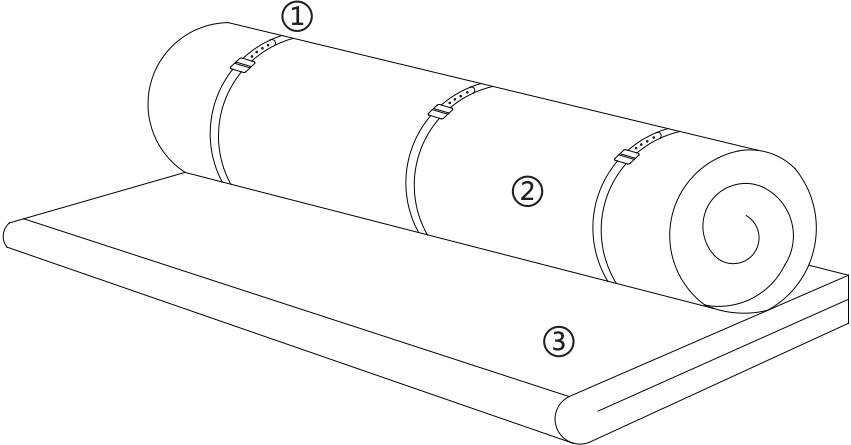
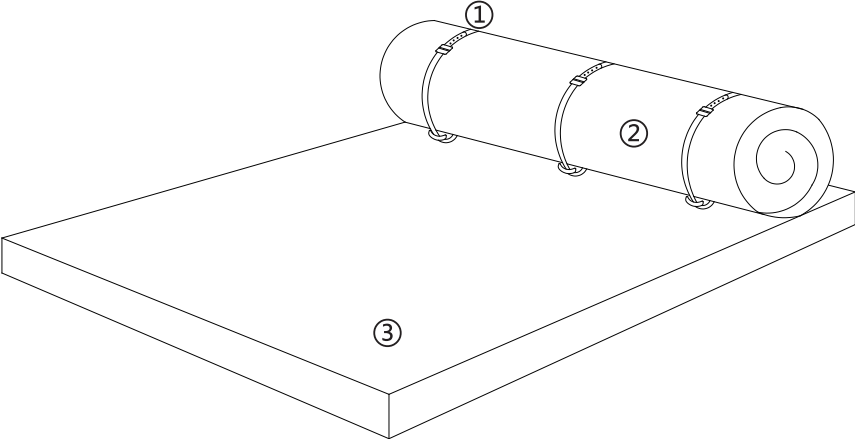
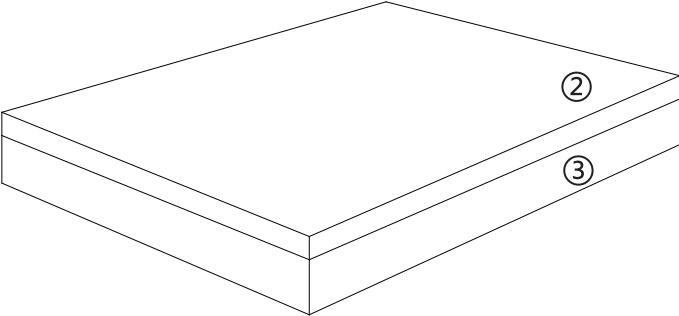
STEP 4



STEP 5



Except the sofa, you can enjoy changing it to lounge and bed when you need.



lifely.com.au

Great job. You' re done!

Don' t forget to share how it looks in
you space and tag us on Instagram.

[@lifelyhome](#)[#homewithlifely!](#)