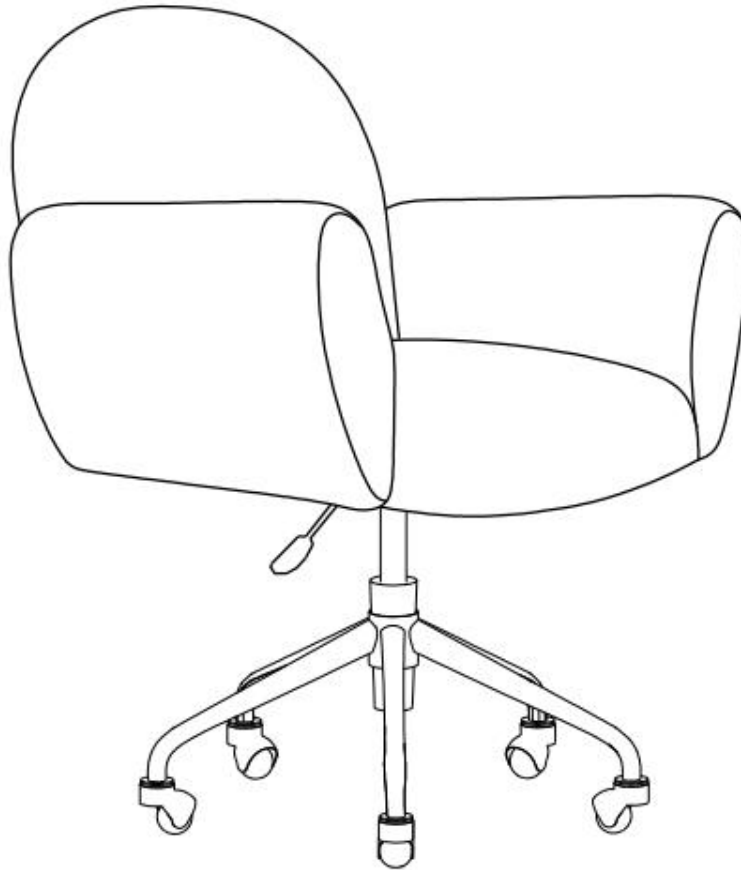


Assembly Instructions

Layla Office Chair



Lifely*

Product Code

LLA-OC Layla Office Chair

Dimensions(WxDxH)

720x735x930mm

Important

Please read through instruction carefully
Before assembly and keep for future reference.

For our full catalogue of assembly instructions
Visit: lifely.com.au/assembly.

Important Tips and Maintenance



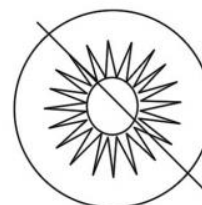
1. Keep children and animals away from working area as smaller parts may cause choking if swallowed.



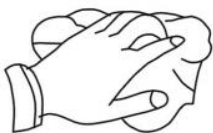
2. Never place liquids or anything damp upon furniture as it will mark. Ensure a coaster or running is beneath.



3. Never use ammonia based cleaning products as it will damage the finish.



4. To avoid fading, keep furniture out of direct sunlight.



5. Use a soft or damp cloth (dry cloth) when wiping or cleaning surfaces.



6. Two person are required.



7. Lay a soft matt down to protect the furniture piece before and during assembly.

So your relationship is strong. But is it flat-pack furniture strong? Unless you're an aerospace engineer assembling furniture can be slightly stressful. We recommend meditating quietly, pouring yourself a herbal tea(or slightly less herbal wine) and tackling things one step at a time. If you feel a passive aggressive remark coming on,try a compliment instead .E.g. "You're so good looking"

This 4-Step assembly should take around 30minutes with an Allen Key or 20 minutes with an electric drill. Godspeed.

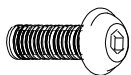
Designed for everyday

Component Hardware

Please check you have all the fittings
part or tools are listed in below.

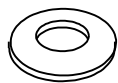
NO.A

Quantity: 4 pcs
Screw M6x25mm



NO.B

Quantity: 4 pcs
Washer 1mm



NO.C

Quantity: 1 pc
Allen Key M5



NO.D

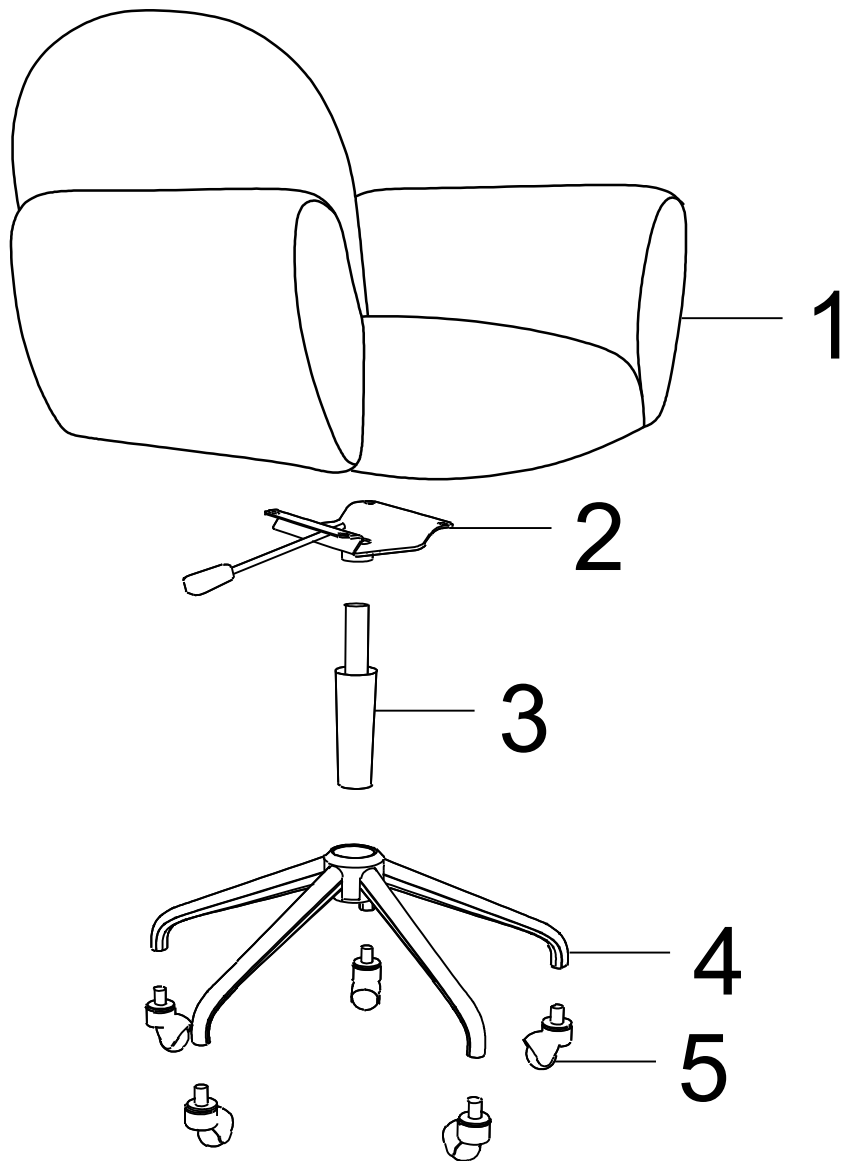
Quantity: 2 pcs
Washer 5mm



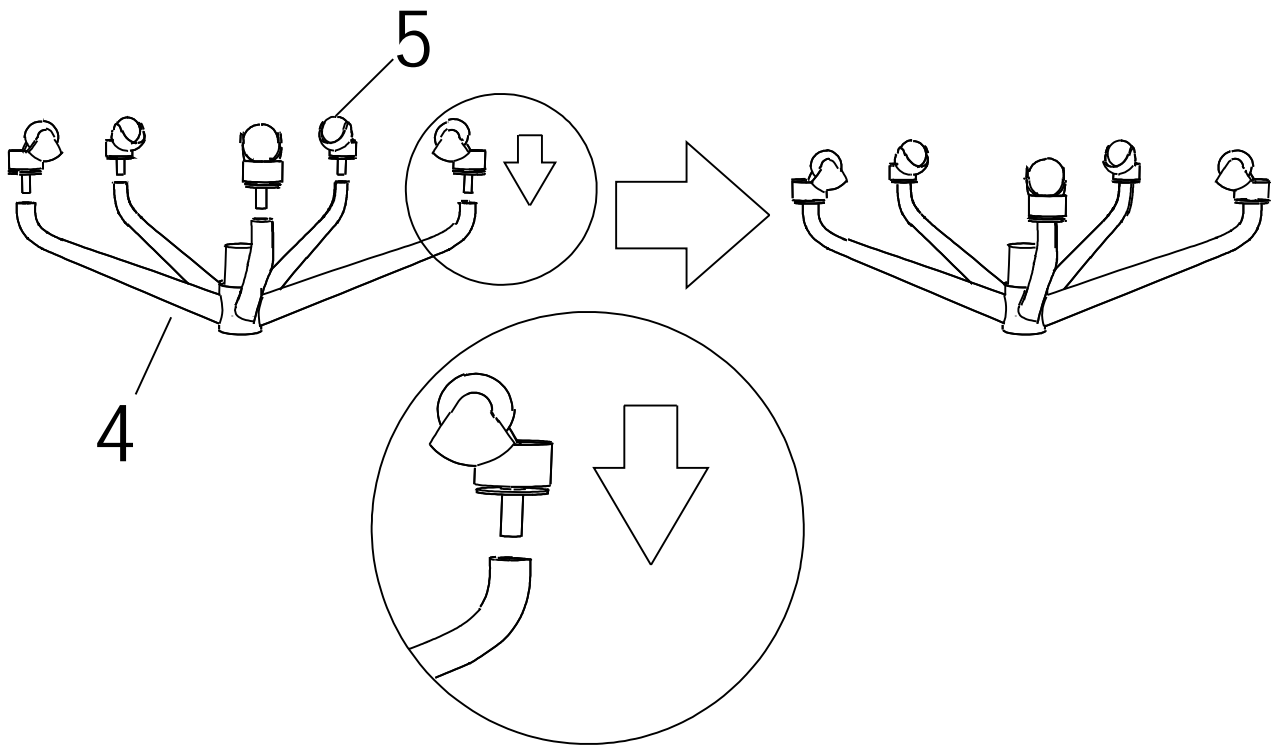
Component Panels & part List

Please check you have all the panels are listed below.

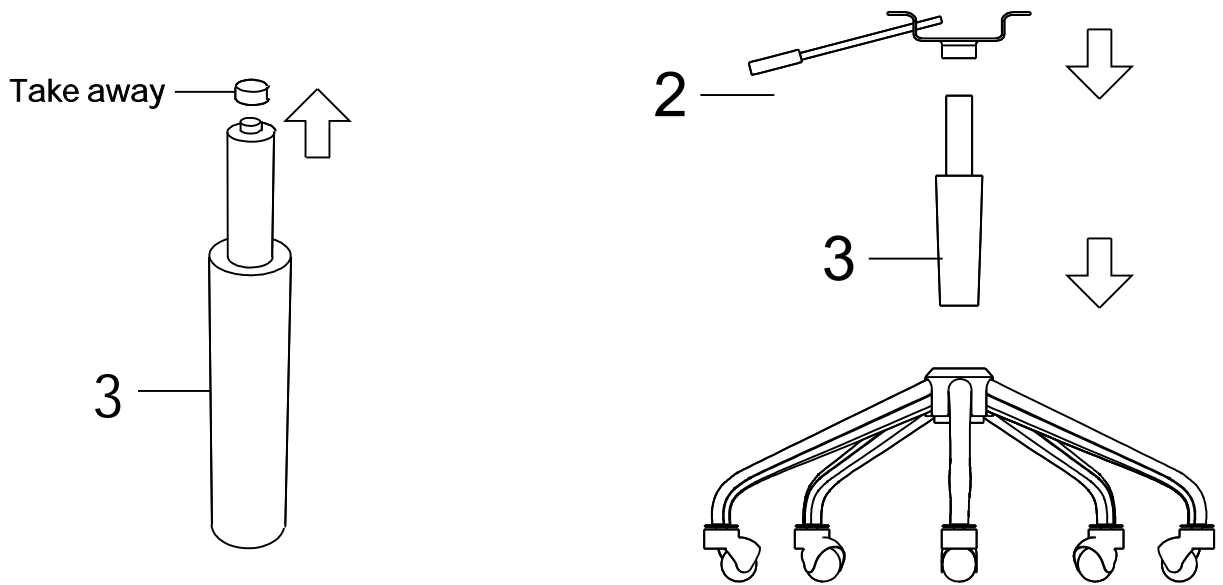
- 1. Body x1
- 2. Metal Plate x1
- 3. Gas Cylinder x1
- 4. Base x1
- 5. Wheel x5



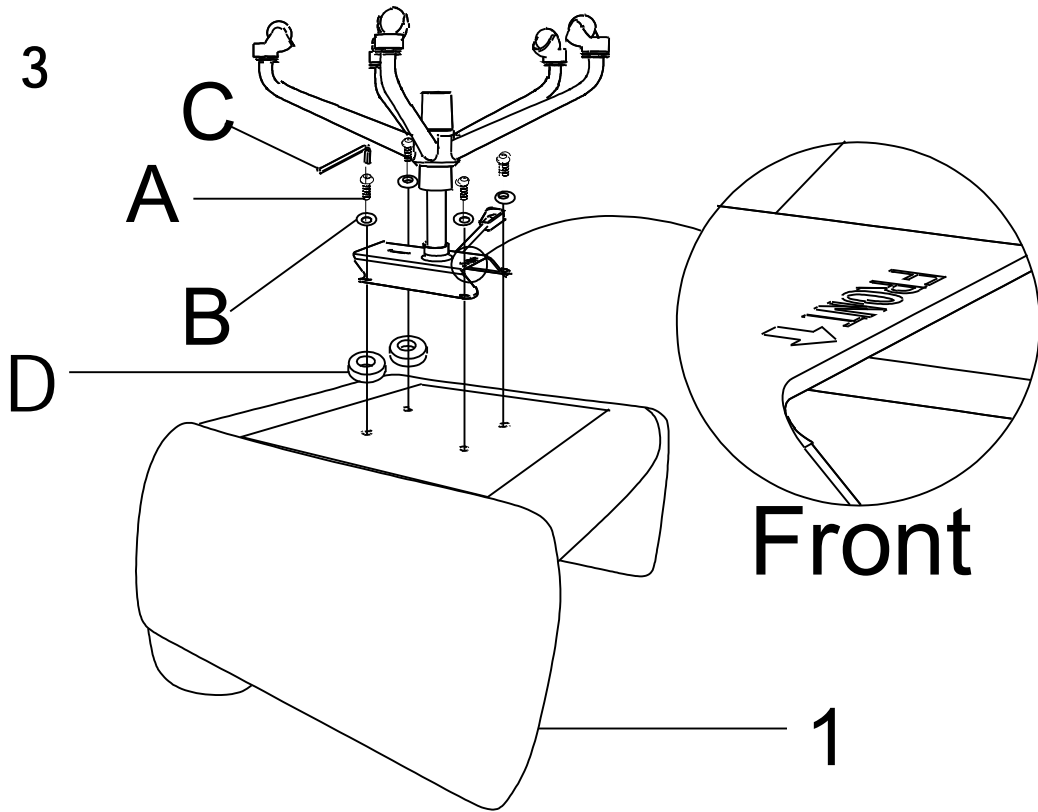
STEP 1



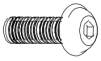
STEP 2



STEP 3



NO.A
Quantity: 4 pcs
Screw M6x25mm



NO.B
Quantity: 4 pcs
Washer 1mm



NO.C
Quantity: 1 pc
Allen Key M5



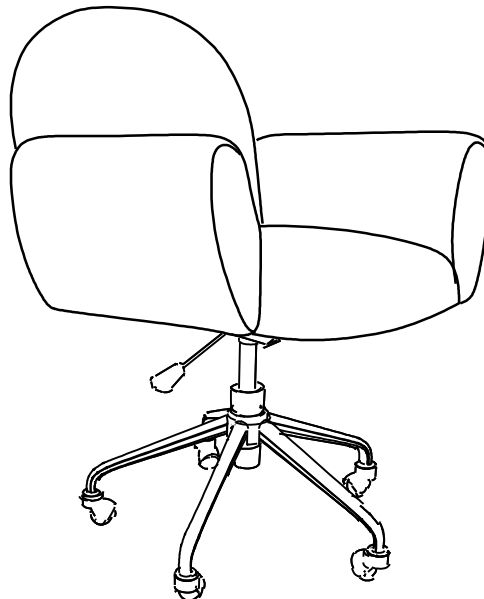
NO.D
Quantity: 2 pcs
Washer 5mm



Marked the "FRONT" word on the steel plate of the base.

Please ensure the direction of the base towards seat front.

STEP 4



lifely.com.au

Great job. You're done!

**Don't forget to share how it looks in
your space and tag us on Instagram.
[@lifelyhome#homewithlifely!](#)**