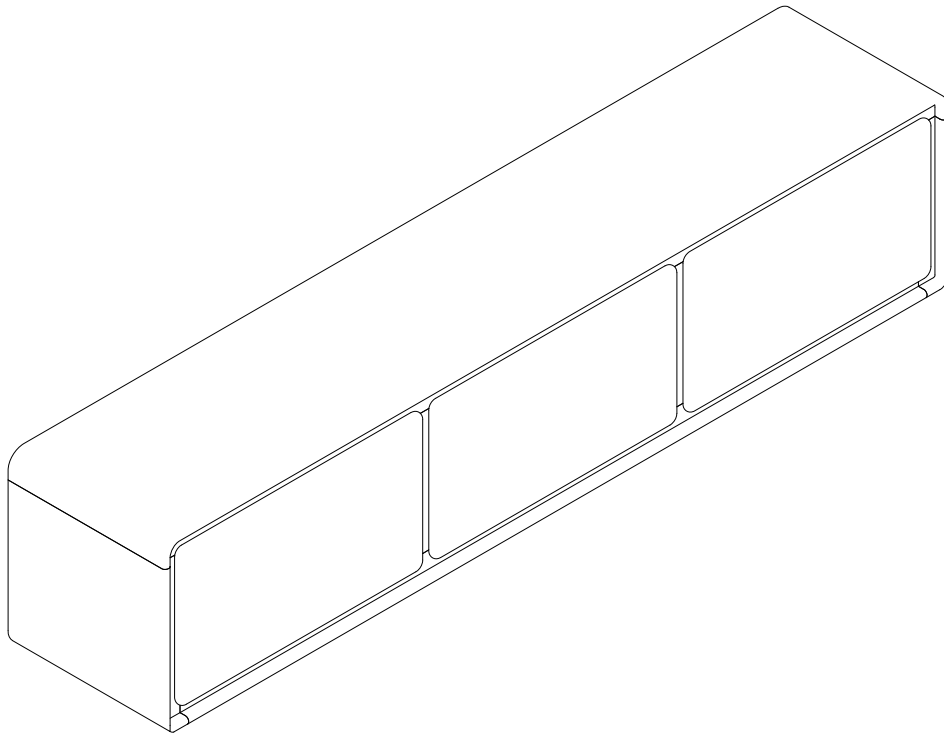


Assembly Instructions

Adelin Series



Lifely*

Product Code

ADLN-TV200-WHT Adelin TV Unit

Dimensions (W x D x H)

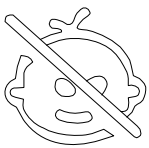
2000*400*450mm

Important

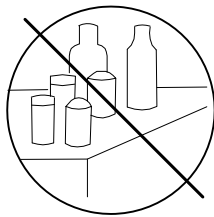
Please read through instruction carefully
Before assembly and keep for future reference.

For our full catalogue of assembly instructions,
Visit: lifely.com.au/assembly.

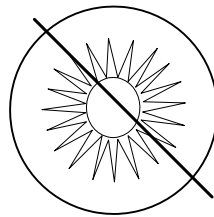
Important Tips and Maintenance



1. Keep children and animals away from working area as smaller parts may cause choking if swallowed.



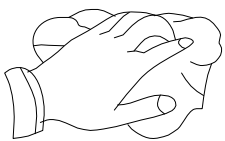
2. Never place liquids or anything damp upon furniture as it will mark. Ensure a coaster or running is beneath.



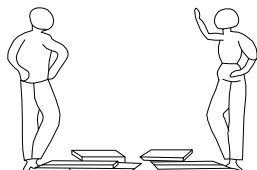
3. Never use ammonia based cleaning products as it will damage the finish.



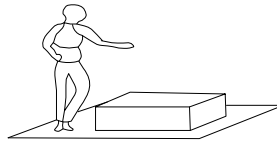
4. To avoid fading, keep furniture out of direct sunlight.



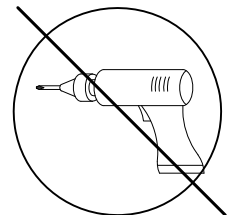
5. Use a soft or damp cloth (dry cloth) when wiping or cleaning surfaces.



6. Two person are required.



7. Lay a soft matt down to protect the furniture piece before and during assembly.



8. NO POWER TOOLS

So your relationship is strong. But is it flat-pack furniture strong? Unless you're an aerospace engineer, assembling furniture can be slightly stressful. We recommend meditating quietly, pouring yourself a herbal tea (or slightly less herbal wine) and tackling things one step at a time. If you feel a passive aggressive remark coming on, try a compliment instead. E.g. "You're so good looking."

This 11-step assembly should take around 70 minutes with an Allen key - or 55 minutes with an electric drill.

Designed for everyday

Component Hardware

Please check you have all the fittings
part or tools are listed in below.

No. A
Quantity:32 Pcs
Cam
 ϕ 15*12mm



No. B
Quantity:32 Pcs
Cam Lock Dowel
 ϕ 7*25



No. C
Quantity:12 PCS
Screw
 ϕ 4*35mm



No. D
Quantity:16 Pcs
Screw
 ϕ 4*25mm



No. E
Quantity:36 Pcs
Screw
 ϕ 3.5*14mm



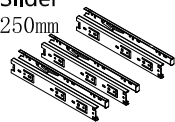
No. F
Quantity:16Pcs
Wood Dowel
 ϕ 8*30mm



No. G
Quantity:6 Pcs
Screw
M6*25mm



No. H
Quantity:3 Set
Slider
250mm



No. I
Quantity:32Pc
Cover
 ϕ 22mm



No. J
Quantity:1 Pc
Key
5mm



No. K
Quantity:1 Pair
Gloves



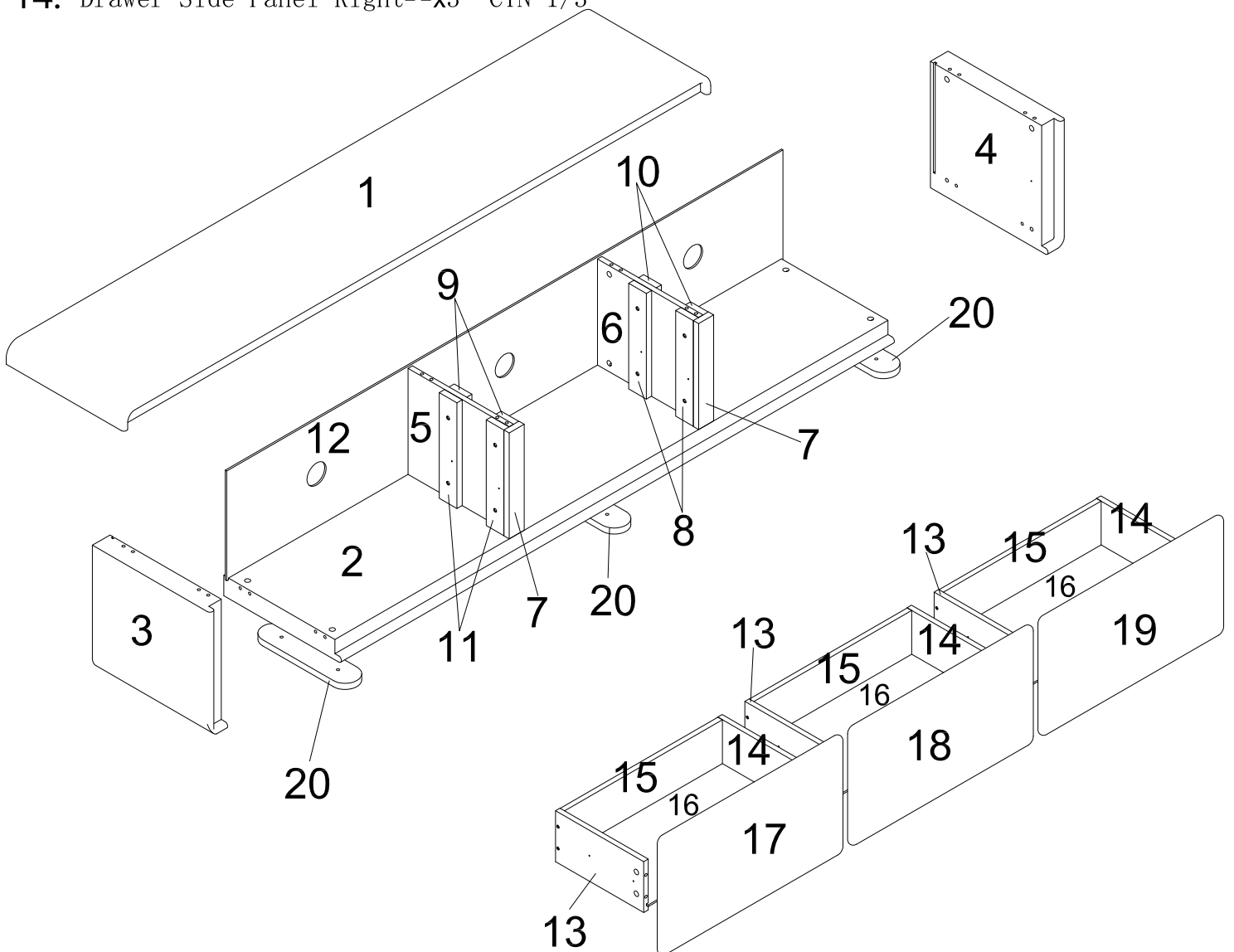
No. L
Quantity:4 Pcs
Angle plastic
 ϕ 3*18mm



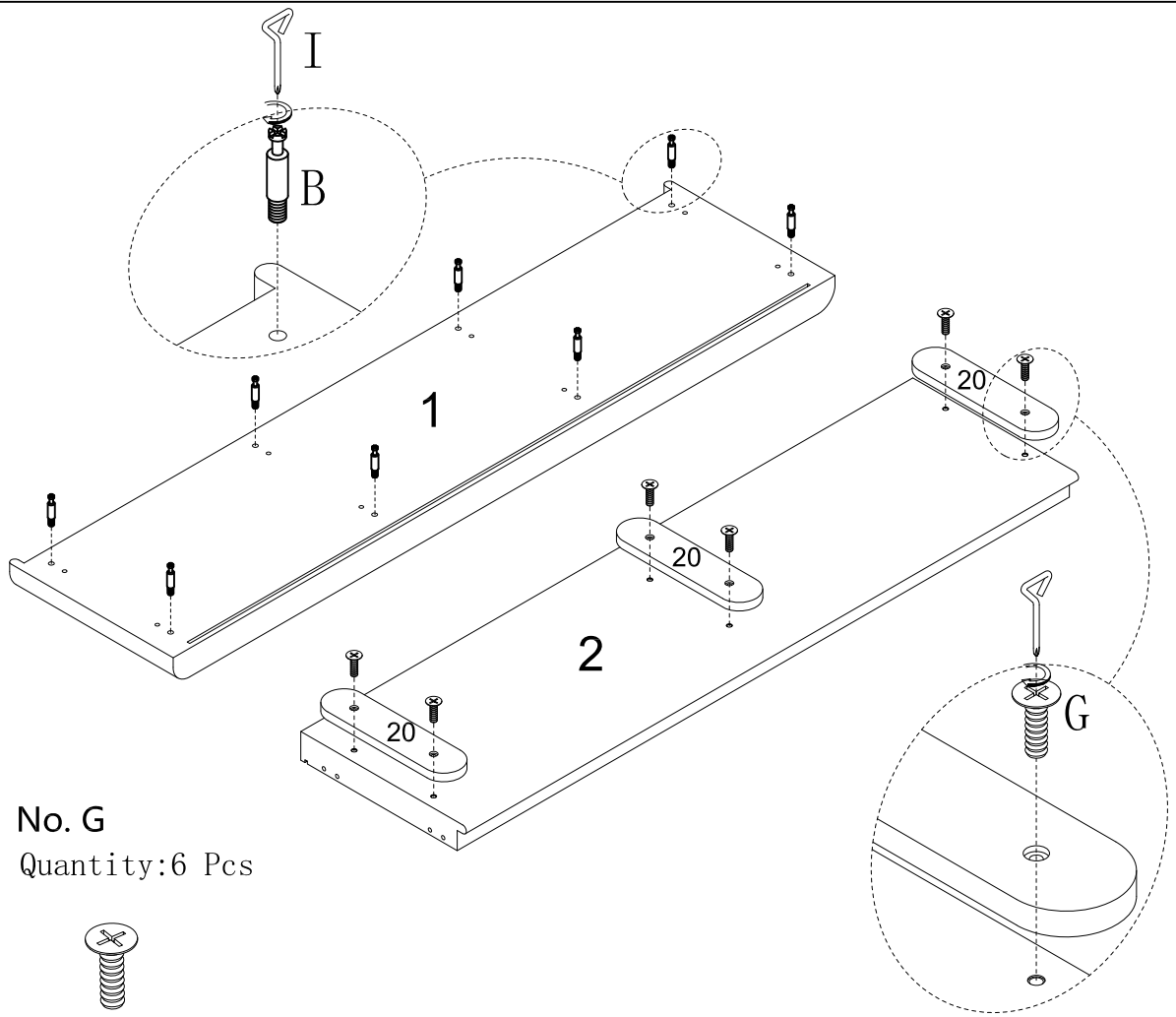
Component Panels & part List

Please check you have all the panels are listed below.

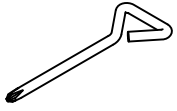
- | | | | |
|---------------------------------|---------|-----------------------------------|---------|
| 1. Top Panel-----x1 | CTN 3/3 | 15. Drawer Back Panel-----x3 | CTN 1/3 |
| 2. Bottom Panel-----x1 | CTN 3/3 | 16. Drawer Bottom Panel-----x3 | CTN 1/3 |
| 3. Side Panel-Left-----x1 | CTN 2/3 | 17. Drawer Front Panel-Left----x1 | CTN 1/3 |
| 4. Side Panel-Right-----x1 | CTN 2/3 | 18. Drawer Front Panel-Middle--x1 | CTN 1/3 |
| 5. Side Panel-Middle Left---x1 | CTN 1/3 | 19. Drawer Front Panel-Right---x1 | CTN 1/3 |
| 6. Side Panel-Middle Right--x1 | CTN 1/3 | 20. Foot Panel-----x3 | CTN 1/3 |
| 7. Support Panel-----x2 | CTN 1/3 | | |
| 8. Runner panel-Right-----x2 | CTN 1/3 | | |
| 9. Runner panel-Left-----x2 | CTN 1/3 | | |
| 10. Runner side panel-Right--x2 | CTN 1/3 | | |
| 11. Runner side panel-Left---x2 | CTN 1/3 | | |
| 12. Back Panel-----x1 | CTN 3/3 | | |
| 13. Drawer Side Panel-Left---x3 | CTN 1/3 | | |
| 14. Drawer Side Panel-Right--x3 | CTN 1/3 | | |



STEP 1



No. I
Quantity:1 Pc



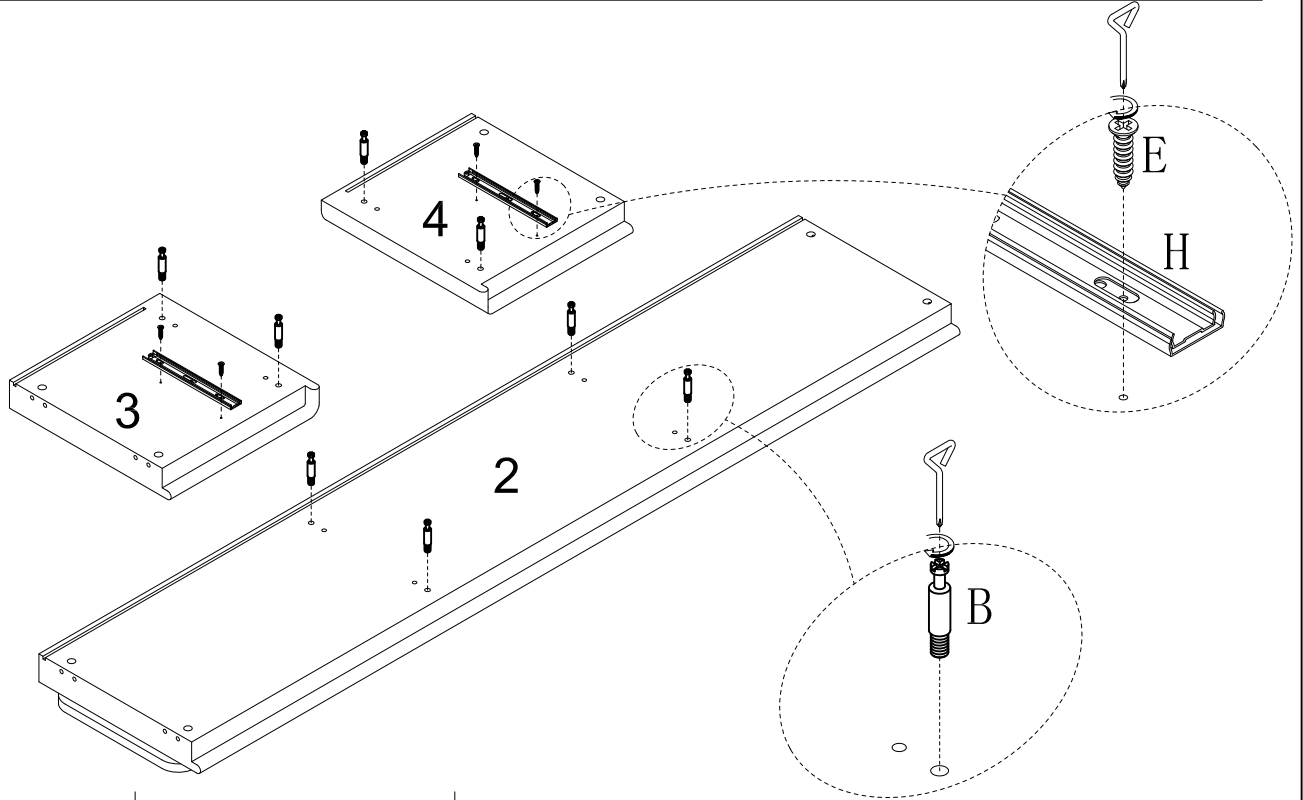
No. B
Quantity:8 Pcs



No. G
Quantity:6 Pcs



STEP 2



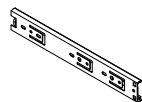
No. B
Quantity:8 Pcs



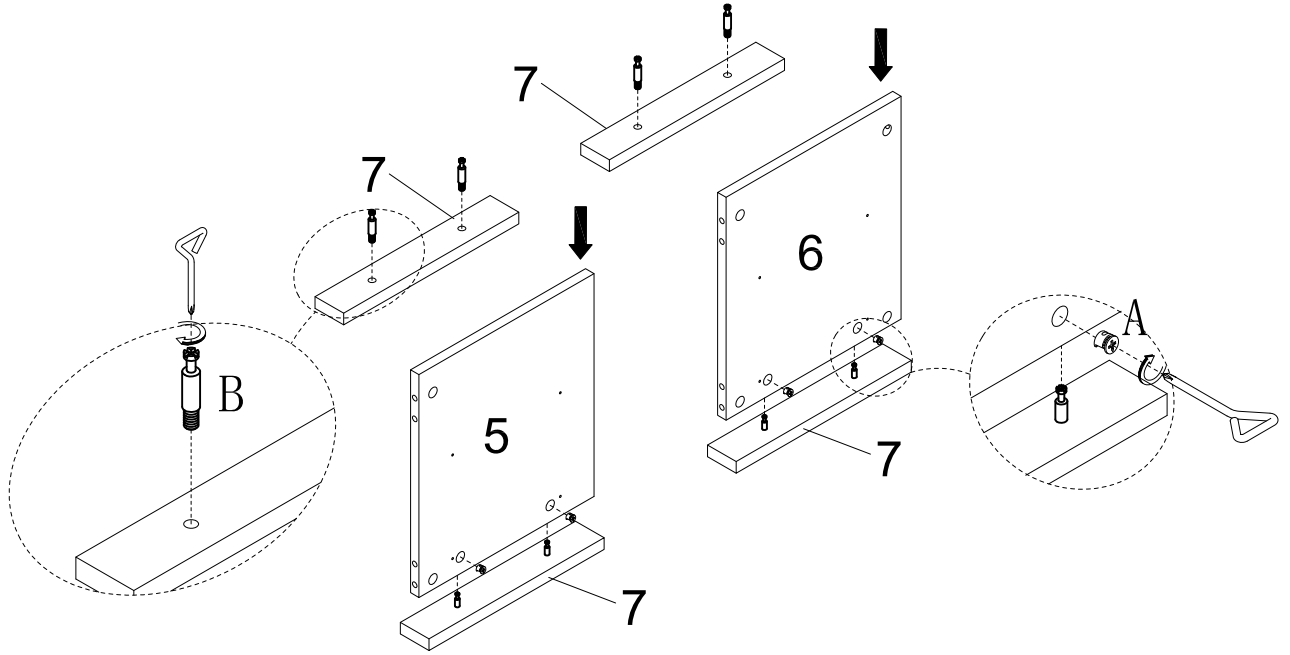
No. E
Quantity:4 Pcs



No. B
Scrw:2 PCS



STEP 3



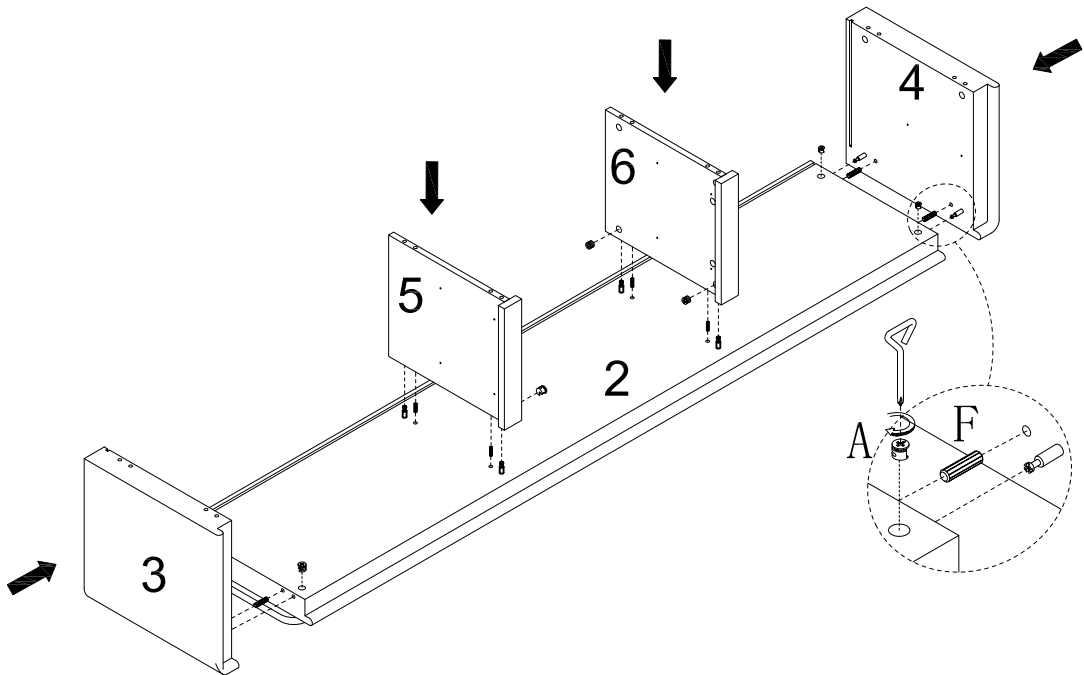
No. A
Quantity:4 Pcs



No. B
Quantity:4 Pcs



STEP 4



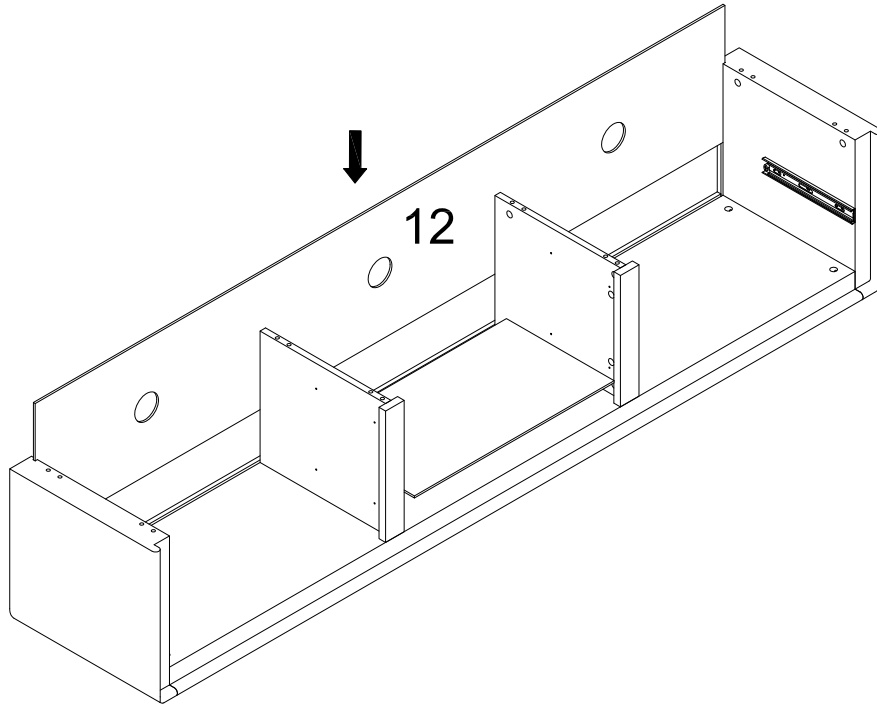
No. A
Quantity:8 Pcs



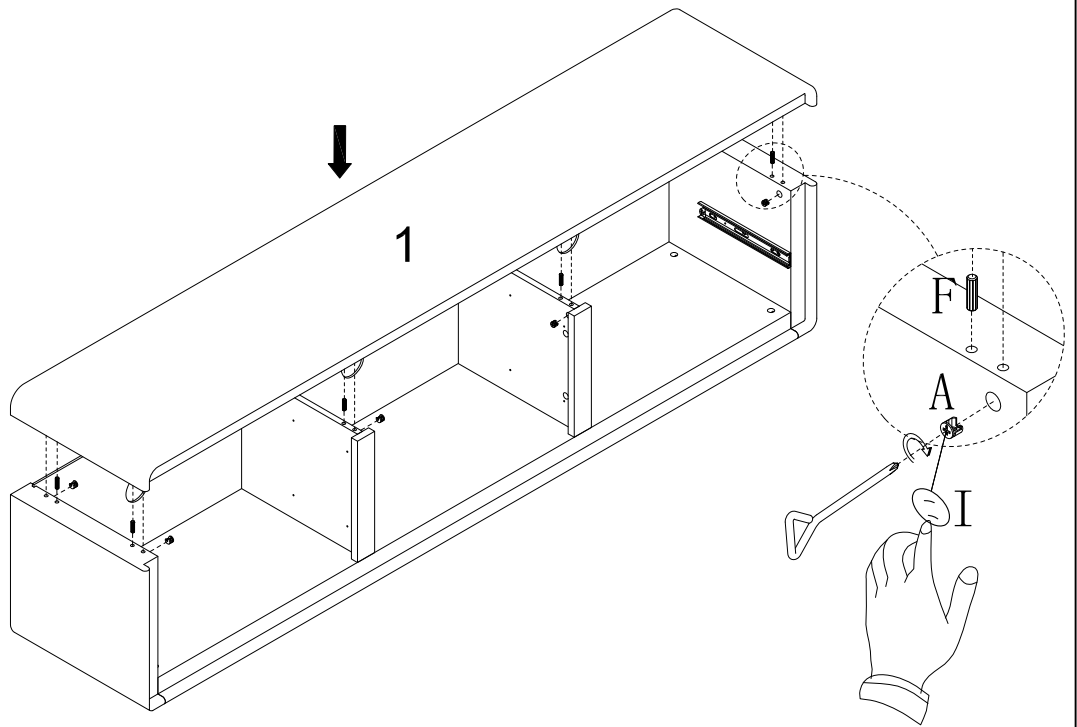
No. F
Quantity:8 Pcs



STEP 5



STEP 6



No. I
Quantity: 32 Pcs



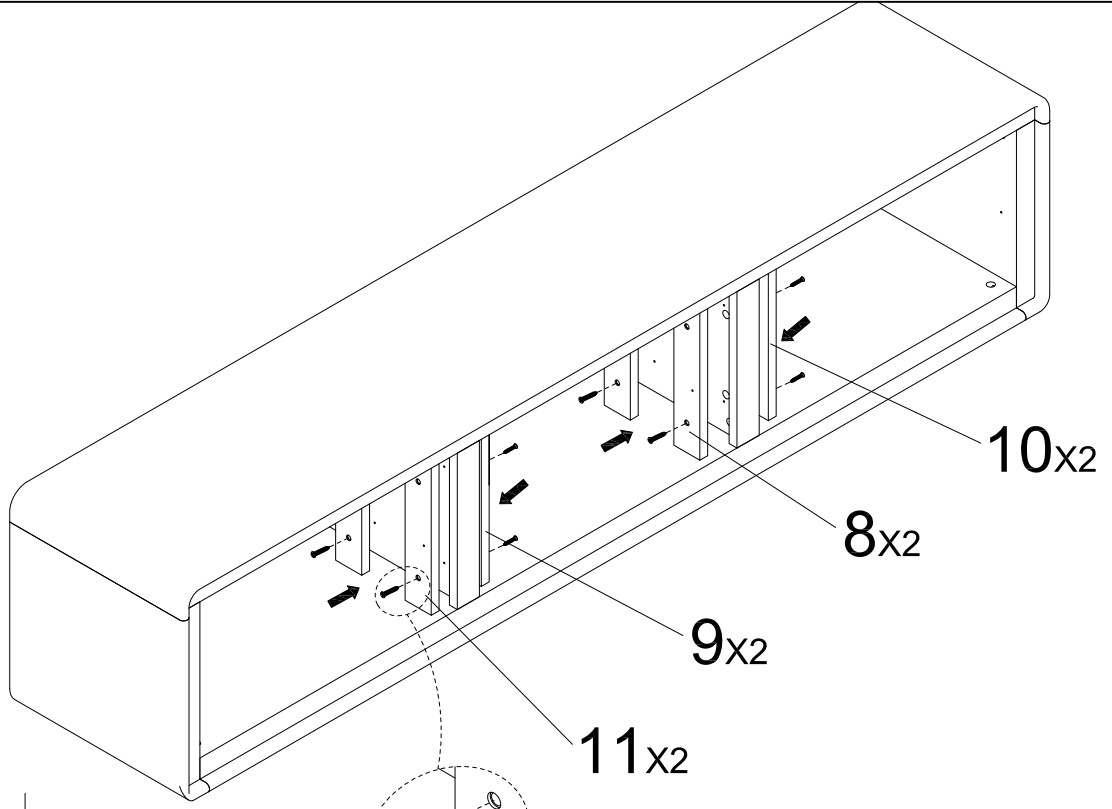
No. A
Quantity: 8 Pcs



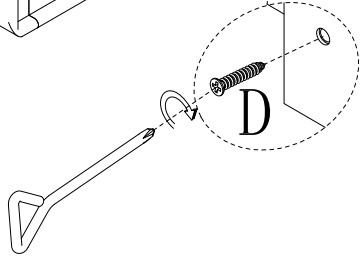
No. F
Quantity: 8 Pcs



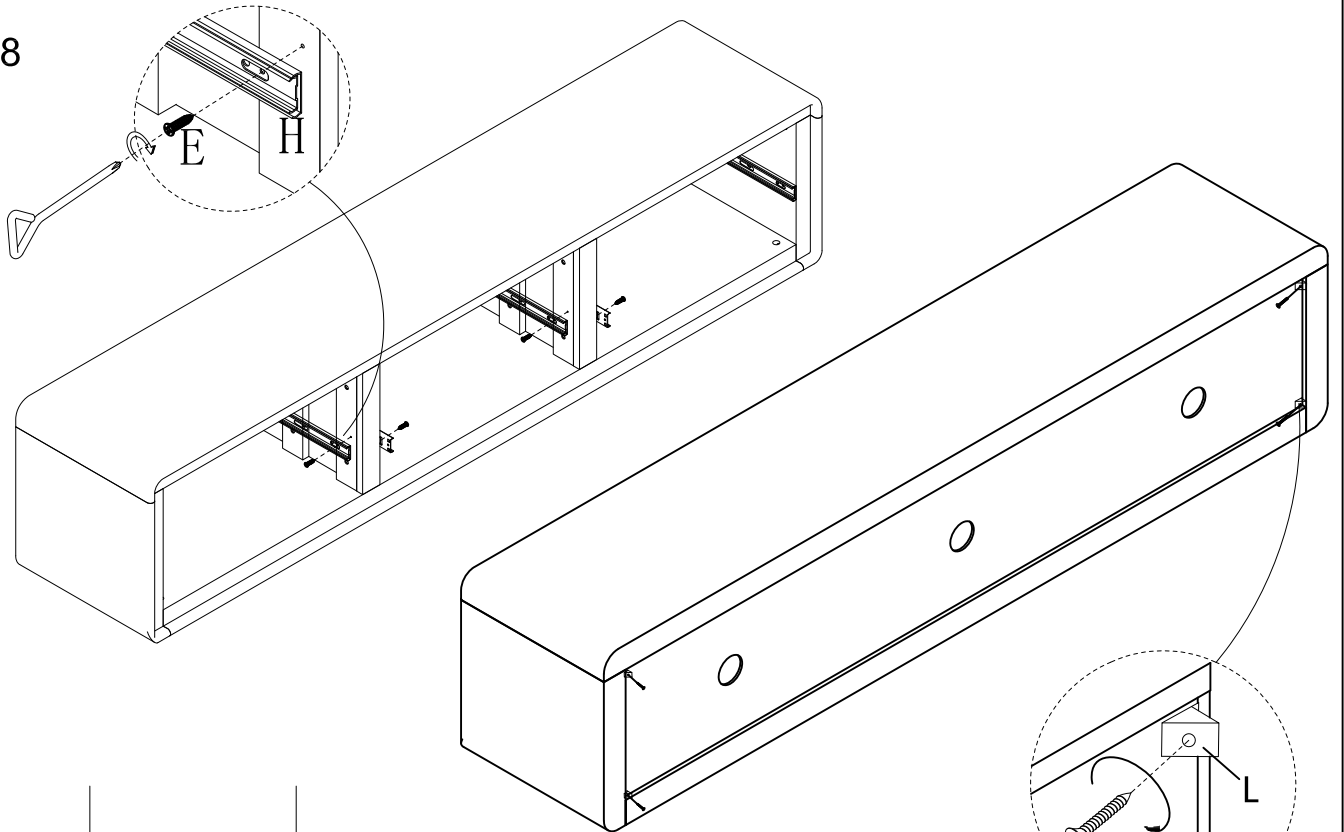
STEP 7



No. D
Quantity:16 Pcs



STEP 8



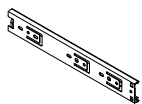
No. E

Quantity:12 Pcs



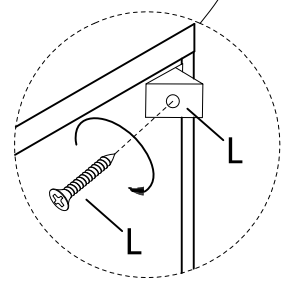
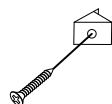
No. H

Quantity:4 PCS

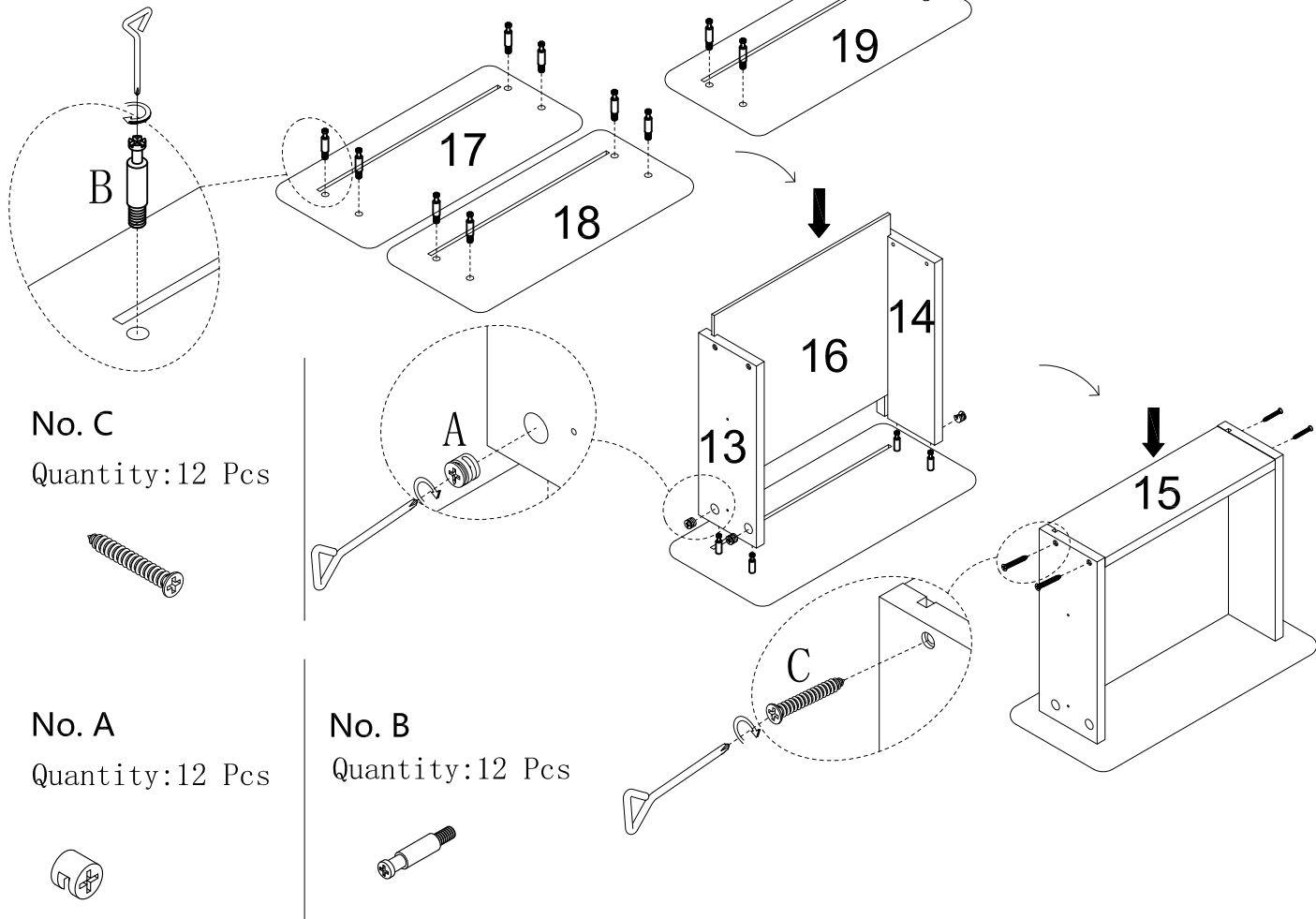


No. L

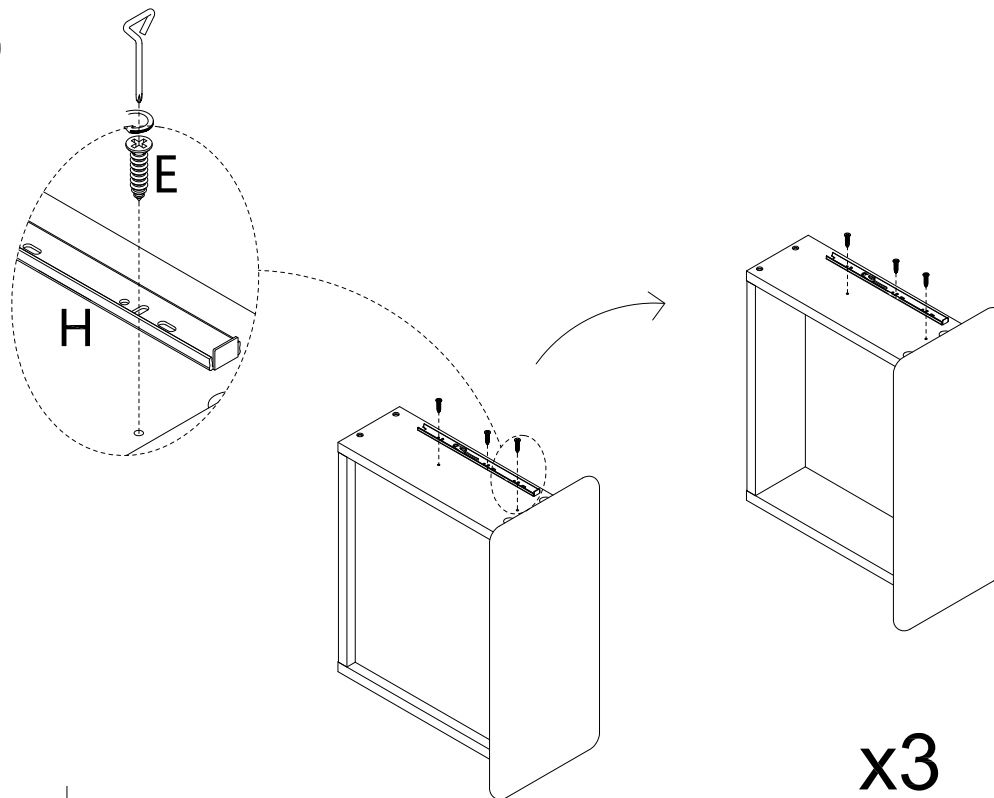
Quantity:4 Pcs



STEP 9

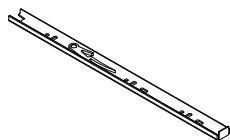


STEP 10

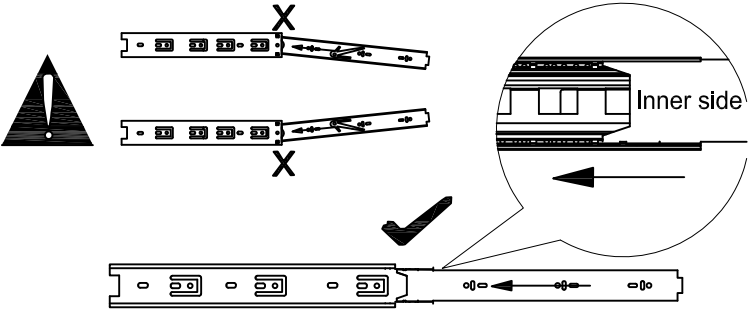
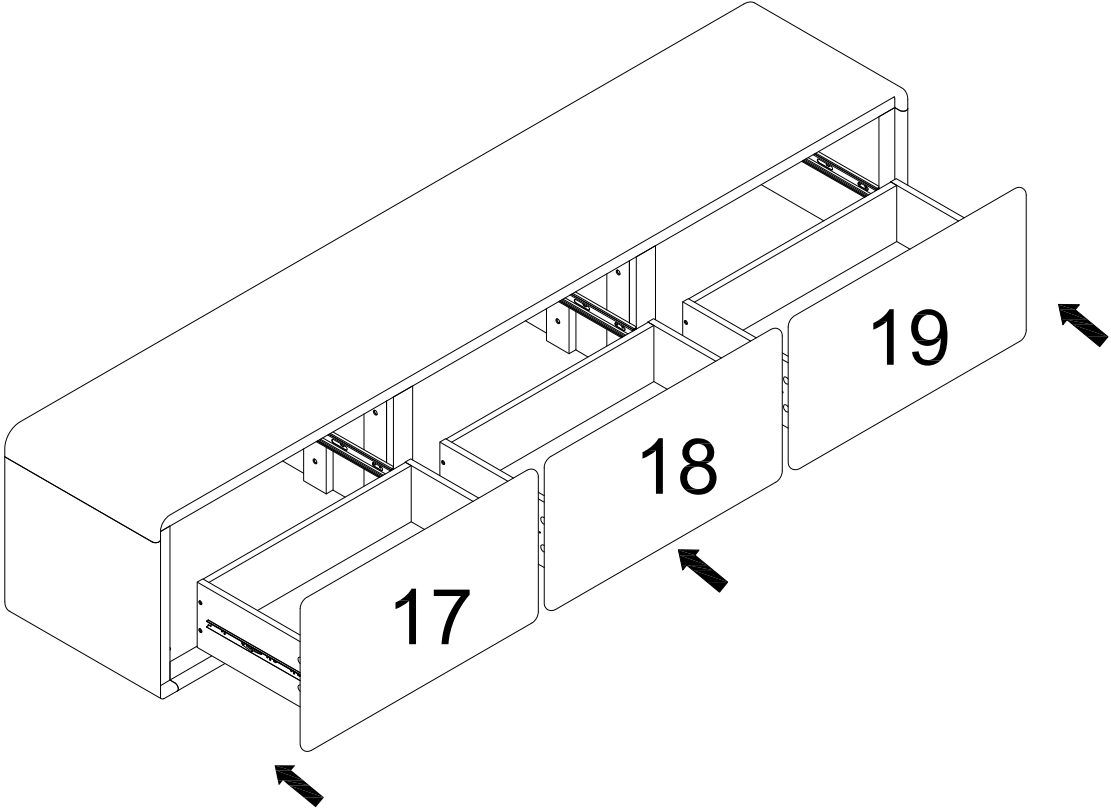


No. E
Scrw: 18 PCS

No. H
Scrw: 6 PCS



STEP 11



lifely.com.au

Great job. You're done!

Don't forget to share how it looks in
your space and tag us on Instagram.

@lifelyhome #homewithlifely!