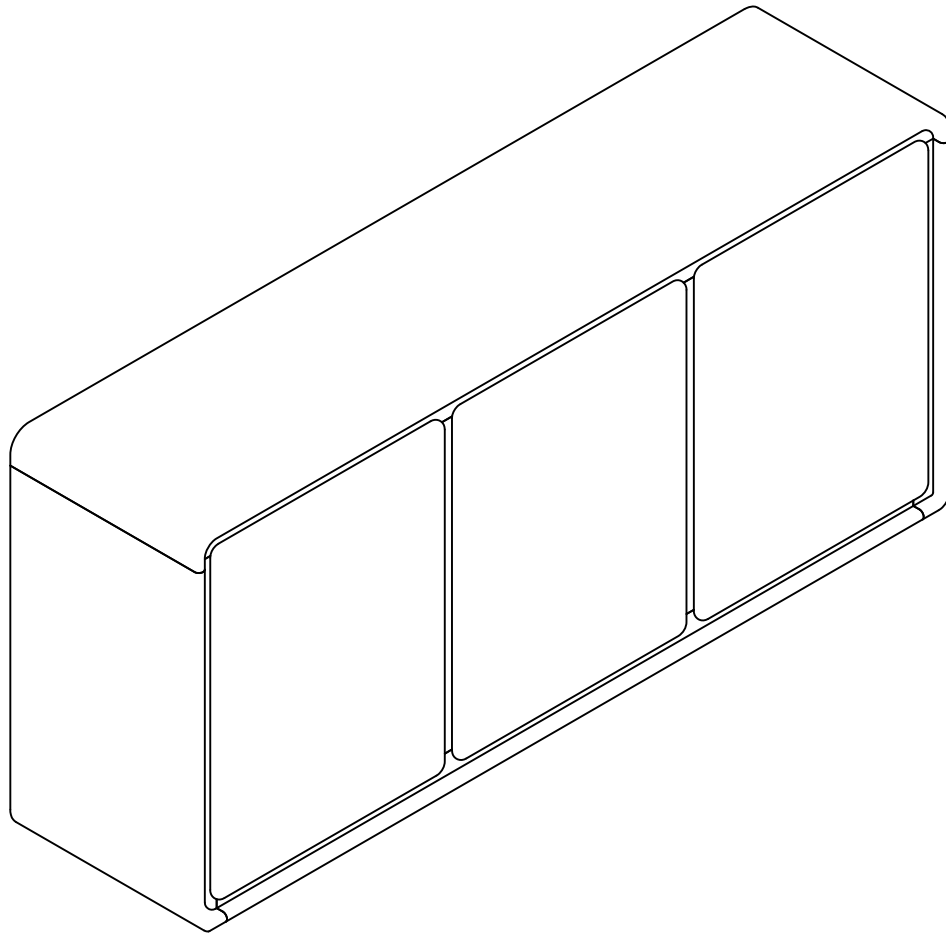


Assembly Instructions

Adelin Series



Lifely*

Product Code

ADLN-SB160-WHT Adelin Sideboard

Dimensions (W x D x H)

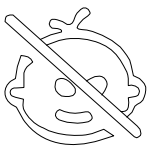
1598*400*750mm

Important

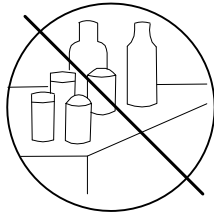
Please read through instruction carefully
Before assembly and keep for future reference.

For our full catalogue of assembly instructions,
Visit: lifely.com.au/assembly.

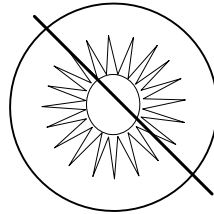
Important Tips and Maintenance



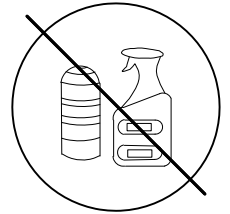
1. Keep children and animals away from working area as smaller parts may cause choking if swallowed.



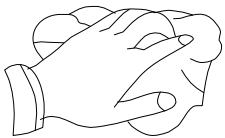
2. Never place liquids or anything damp upon furniture as it will mark. Ensure a coaster or running is beneath.



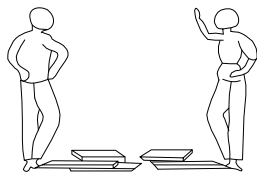
3. Never use ammonia based cleaning products as it will damage the finish.



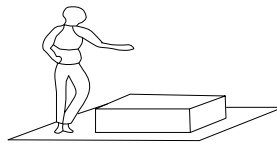
4. To avoid fading, keep furniture out of direct sunlight.



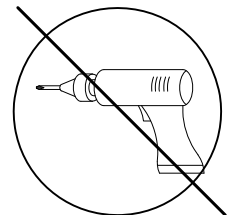
5. Use a soft or damp cloth (dry cloth) when wiping or cleaning surfaces.



6. Two person are required.



7. Lay a soft matt down to protect the furniture piece before and during assembly.



8. NO POWER TOOLS

So your relationship is strong. But is it flat-pack furniture strong? Unless you're an aerospace engineer, assembling furniture can be slightly stressful. We recommend meditating quietly, pouring yourself a herbal tea (or slightly less herbal wine) and tackling things one step at a time. If you feel a passive aggressive remark coming on, try a compliment instead. E.g. "You're so good looking."

This 11-step assembly should take around 60 minutes with an Allen key - or 45 minutes with an electric drill.

Designed for everyday

Component Hardware

Please check you have all the fittings
part or tools are listed in below.

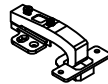
No. A
Quantity:22 Pcs
Cam
 ϕ 15*12mm



No. B
Quantity:22 Pcs
Cam Lock Dowel
 ϕ 7*25



No. C
Quantity:6 PCS
Spring Hinge
 ϕ 35mm



No. D
Quantity:36 Pcs
Screw
 ϕ 3.5*14mm



No. E
Quantity:12 Pcs



No. F
Quantity:16Pcs
Wood Dowel
 ϕ 8*30mm



No. G
Quantity:6 Pcs
Screw
M6*25mm



No. H
Quantity:22Pc
Cover
 ϕ 22mm



No. I
Quantity:1 Pc
Key
5mm



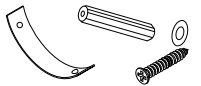
No. J
Quantity:1 Pair
Gloves



No. K
Quantity:8 Pcs
Angle plastic
 ϕ 3*18mm



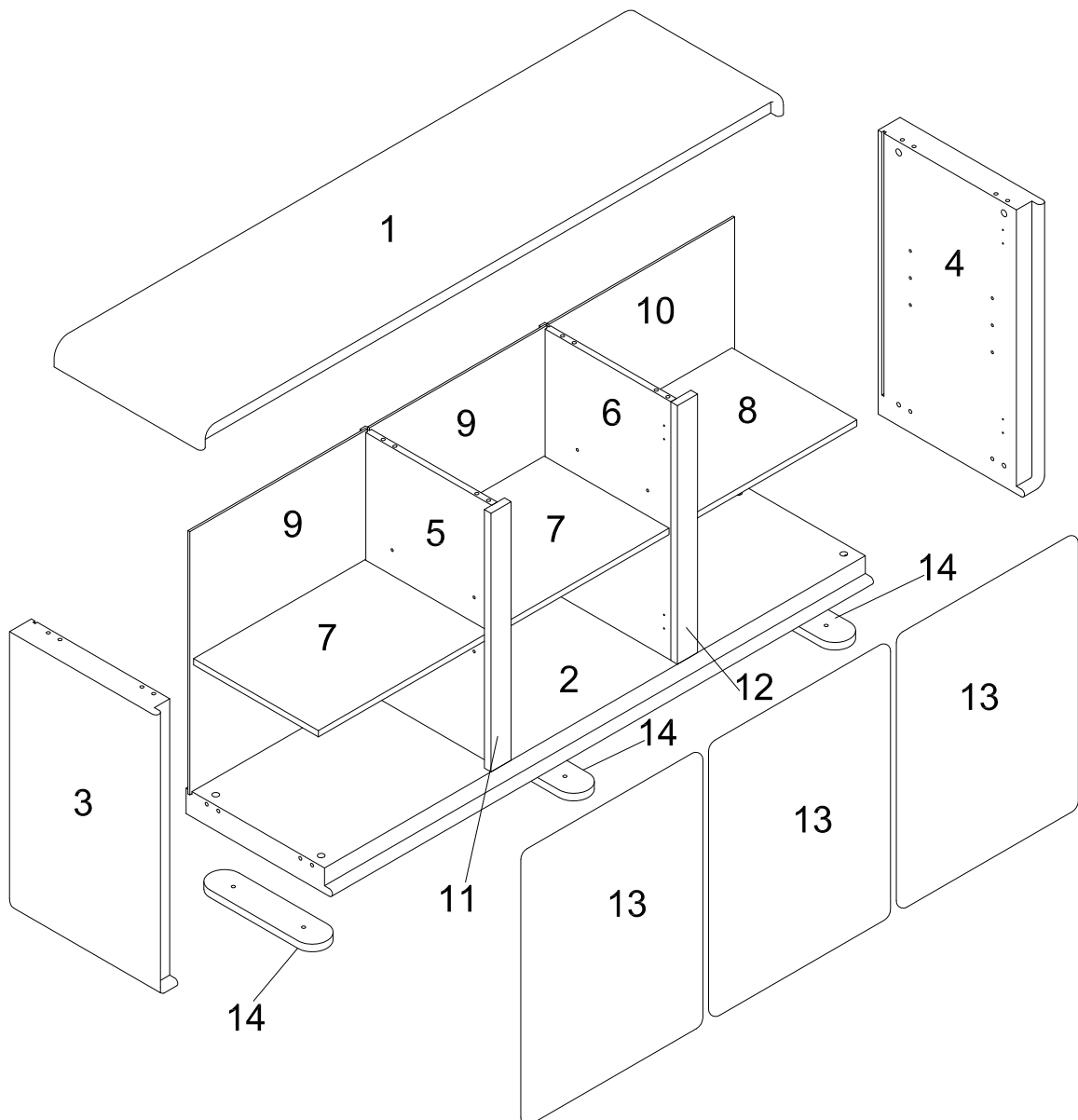
No. L
L=200mm X2
 ϕ 4*25mm x4
 ϕ 4 x4



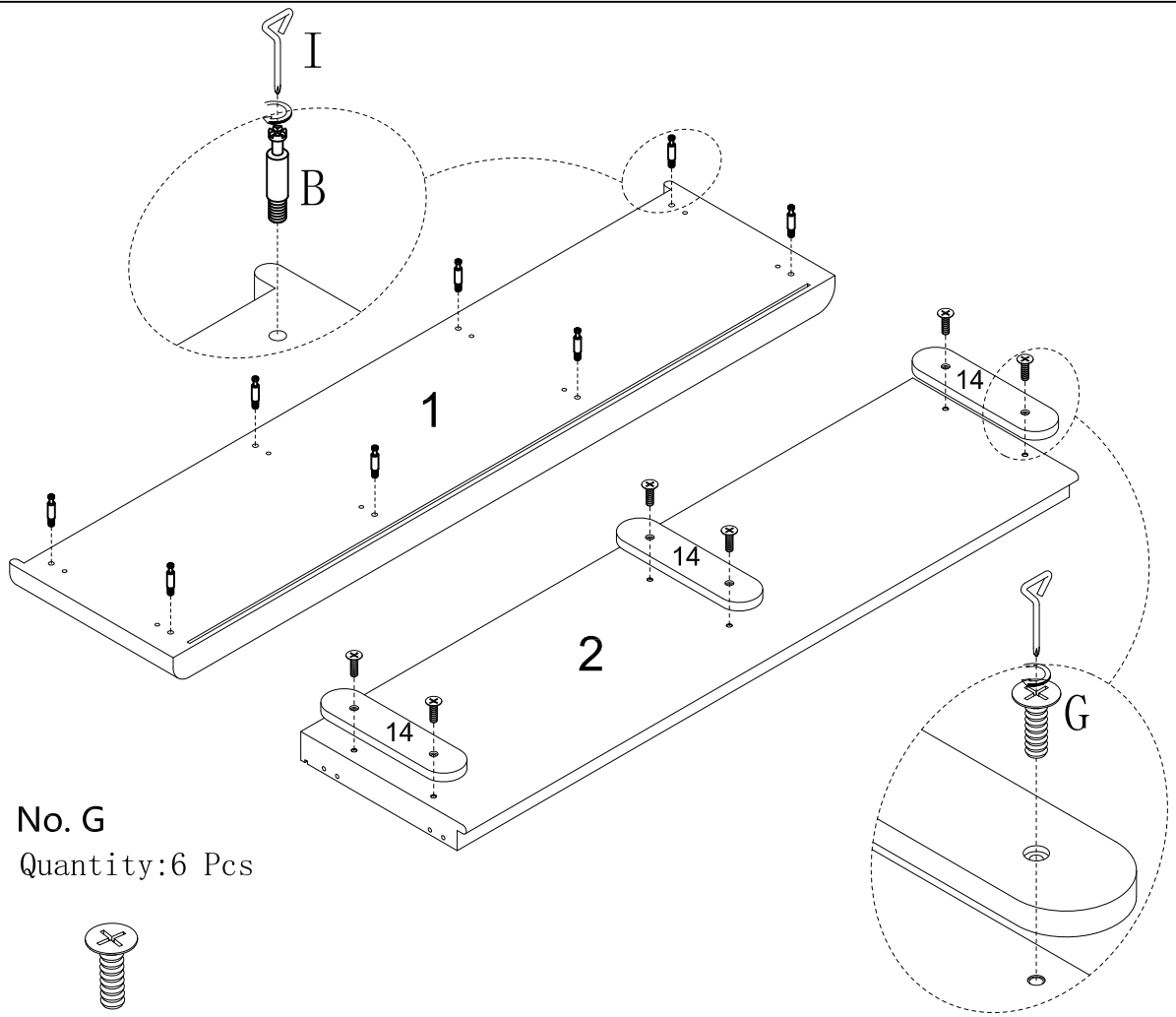
Component Panels & part List

Please check you have all the panels are listed below.

- | | | | |
|---------------------------------------|---------|------------------------------|---------|
| 1. Top Panel -----x1 | CTN 3/3 | 13. Door Panel-----x3 | CTN 2/3 |
| 2. Bottom Panel-----x1 | CTN 3/3 | 14. Foot Panel-----x3 | CTN 2/3 |
| 3. Side Panel-Left-----x1 | CTN 1/3 | | |
| 4. Side Panel-Right-----x1 | CTN 1/3 | | |
| 5. Side Panel-Middle Left--x1 | CTN 2/3 | | |
| 6. Side Panel-Middle Right-x1 | CTN 2/3 | | |
| 7. Shelf Panel-Left-----x2 | CTN 2/3 | | |
| 8. Shelf Panel-Right-----x1 | CTN 2/3 | | |
| 9. Back Panel-Left-----x2 | CTN 2/3 | | |
| 10. Back Panel-Right-----x1 | CTN 2/3 | | |
| 11. Support Panel-Left-----x1 | CTN 2/3 | | |
| 12. Support Panel-Right-----x1 | CTN 2/3 | | |



STEP 1



No. I
Quantity:1 Pc



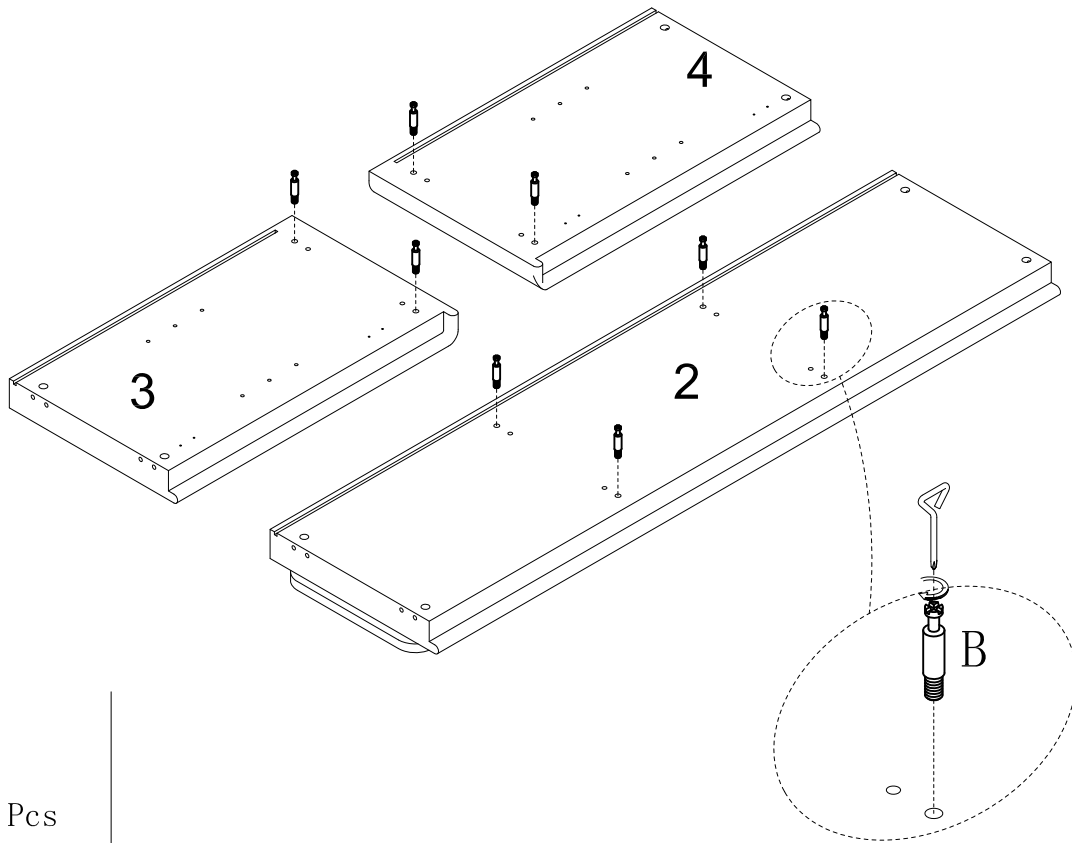
No. B
Quantity:8 Pcs



No. G
Quantity:6 Pcs



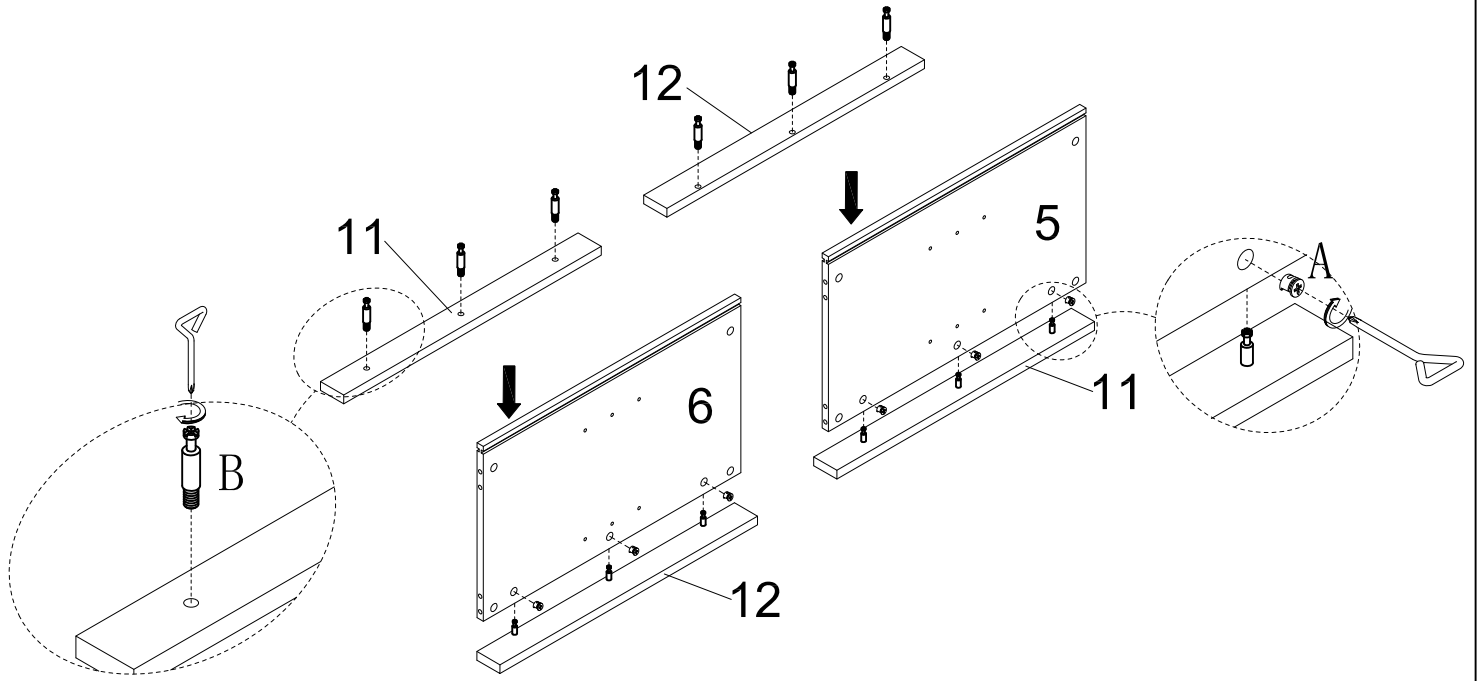
STEP 2



No. B
Quantity:8 Pcs



STEP 3



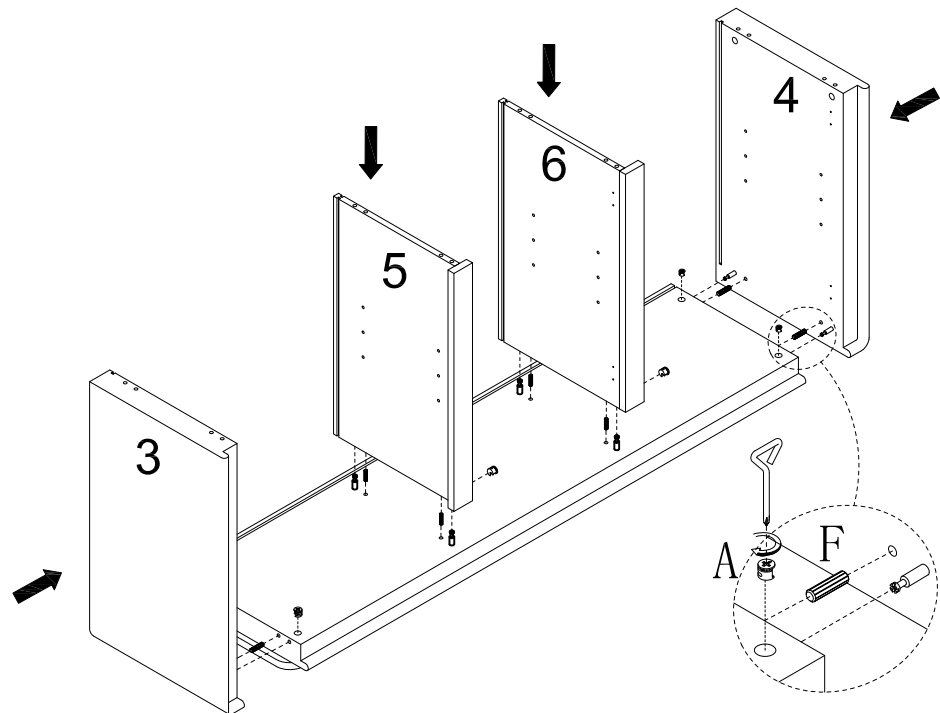
No. A
Quantity:6 Pcs



No. B
Quantity:6 Pcs



STEP 4



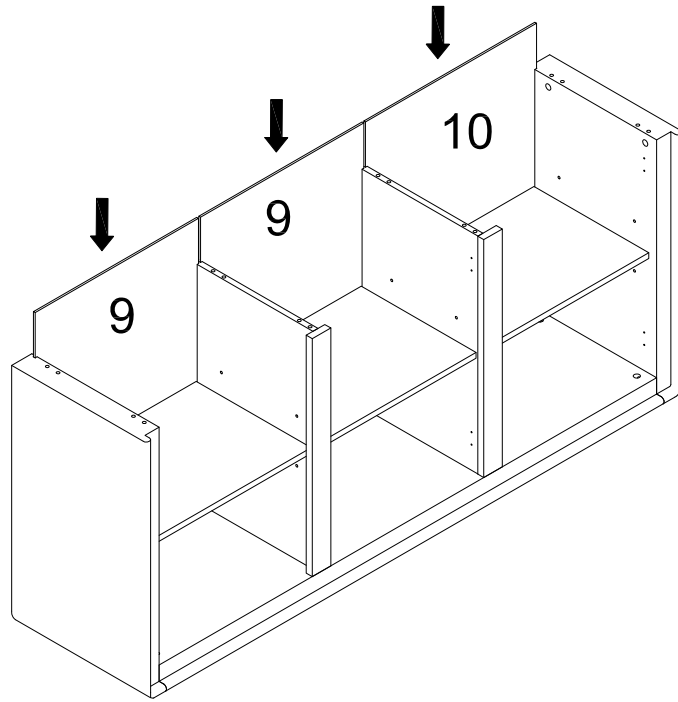
No. A
Quantity:8 Pcs



No. F
Quantity:8 Pcs



STEP 5



STEP 6

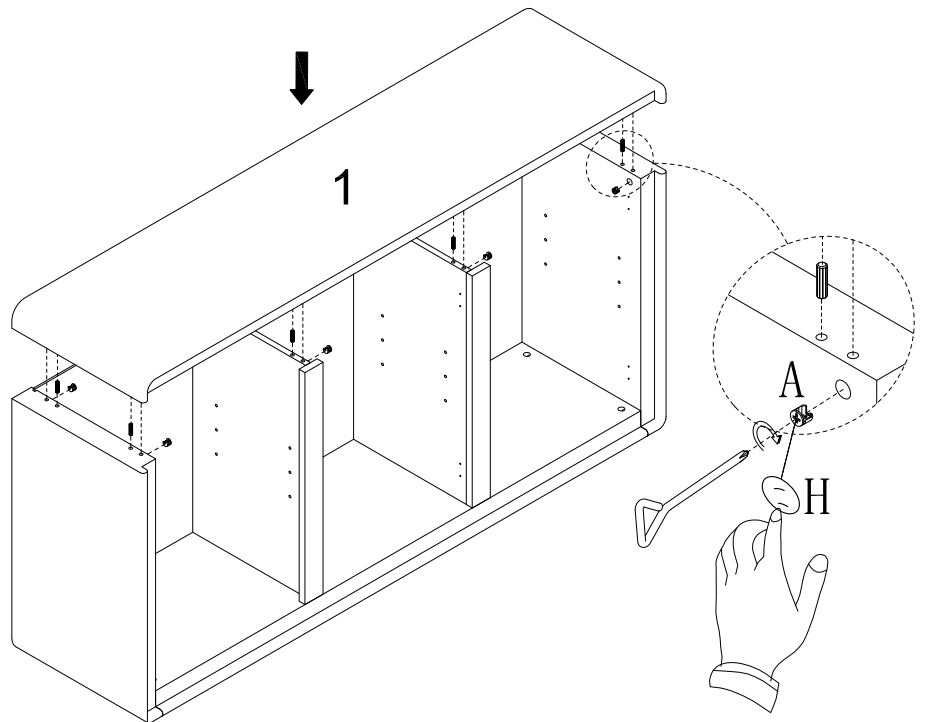
No. H
Quantity: 22 Pcs



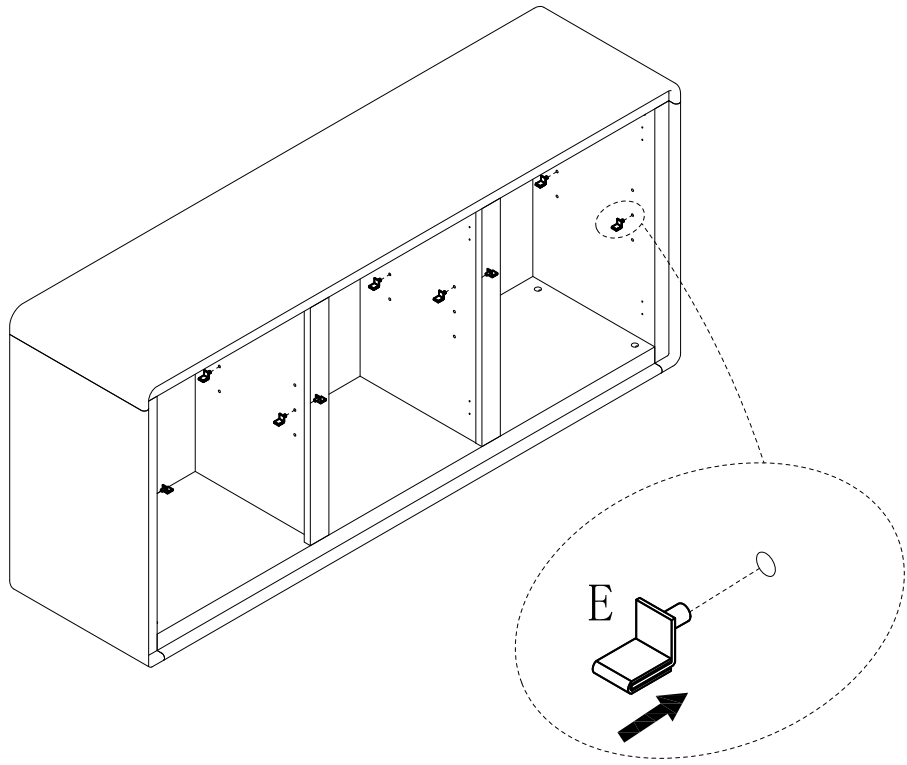
No. A
Quantity: 8 Pcs



No. F
Quantity: 8 Pcs



STEP 7

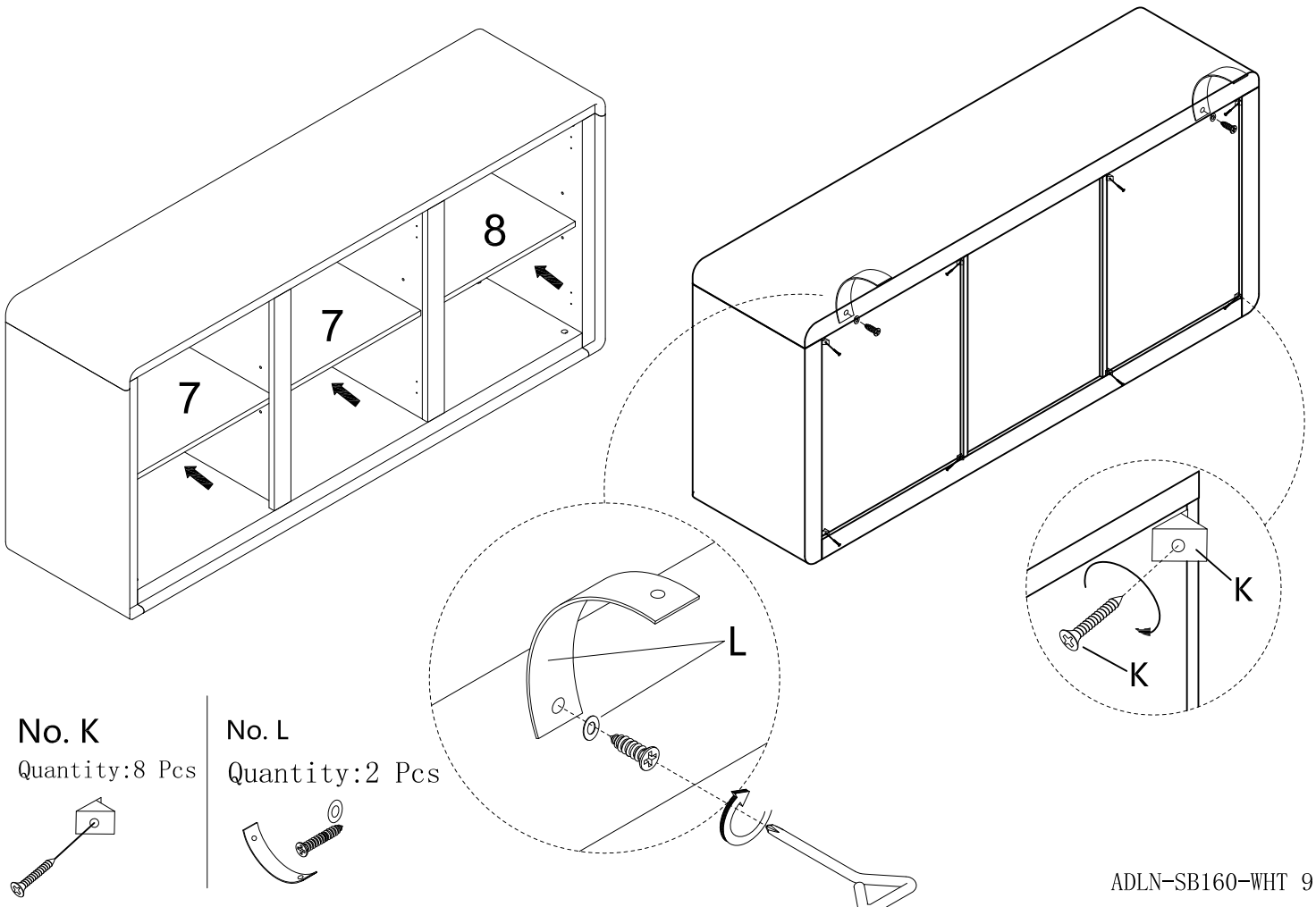


No. E

Quantity:12 Pcs

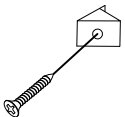


STEP 8



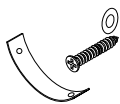
No. K

Quantity:8 Pcs

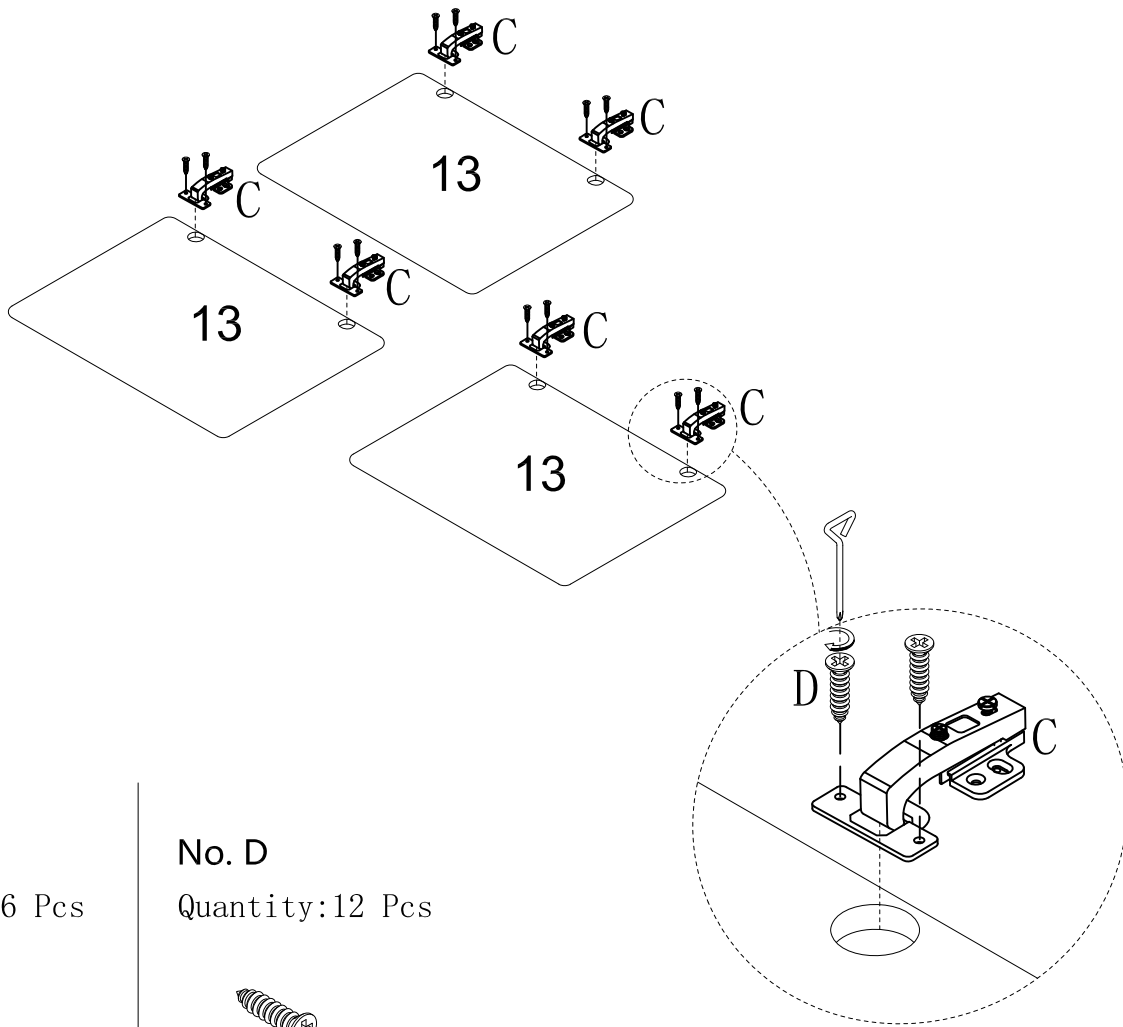


No. L

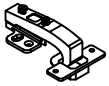
Quantity:2 Pcs



STEP 9



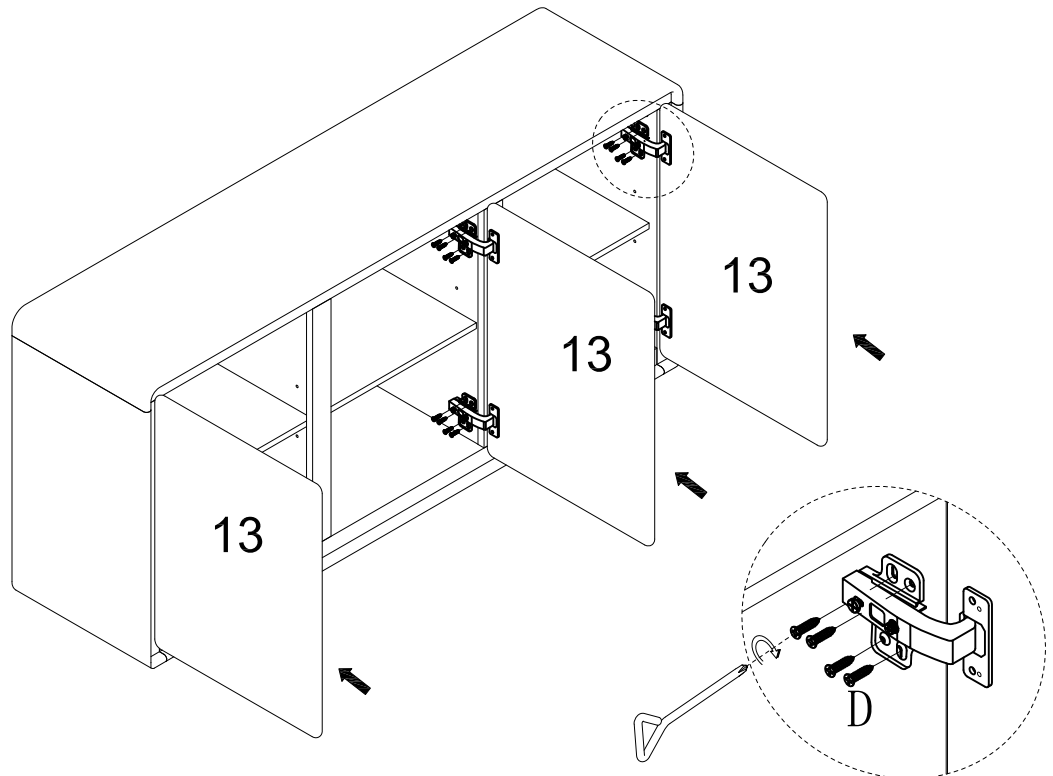
No. C
Quantity: 6 Pcs



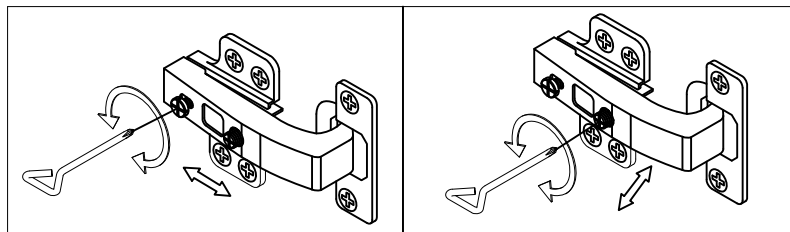
No. D
Quantity: 12 Pcs



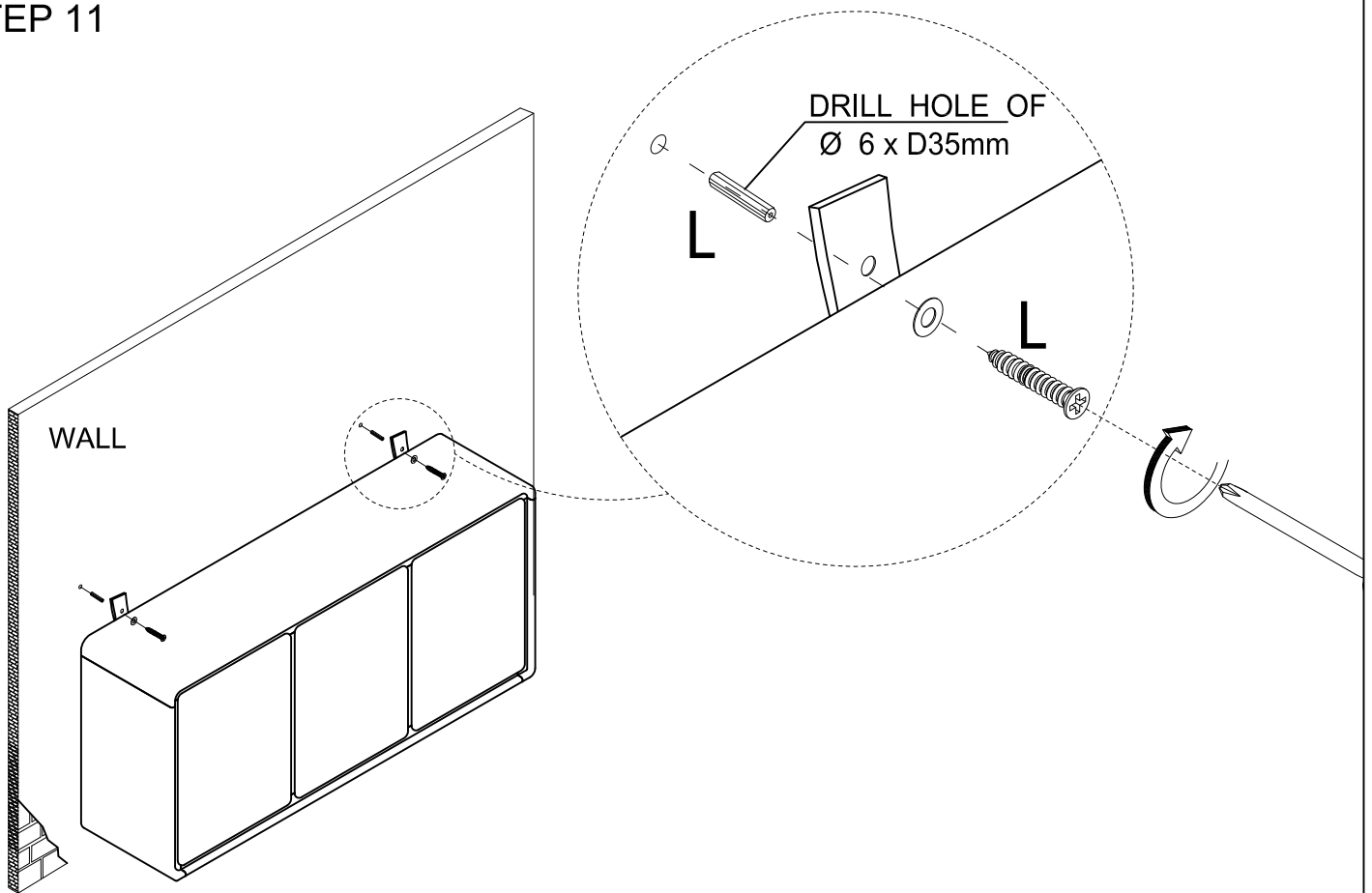
STEP 10



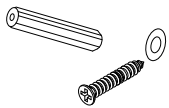
No. D
Quantity: 24 Pcs



STEP 11



No. L
Quantity: 2 Pcs



TOPPLING FURNITURE WARNING:

- It is strongly recommended that this product is permanently fixed to the wall.
- Please seek professional advice if you are in doubt of what fixing device to use.
- Regularly check that anchors are securely maintained.
- Stability of tall items may be affected by thick pile carpet or uneven floors .
- Do not place unanchored televisions on furniture .

CAUTION: for your safety when attaching the anchor fixings, please note the following:

- Check any electrical wires or plumbing inside the wall before drilling any holes (if you are unsure please seek professional advice from a qualified tradesperson).



WARNING: PLEASE SECURE YOUR FURNITURE WITH THE SUPPLIED WALL FIXING. SCAN THE CODE FOR MORE INFORMATION.



lifely.com.au

Great job. You're done!

Don't forget to share how it looks in
your space and tag us on Instagram.

@lifelyhome #homewithlifely!