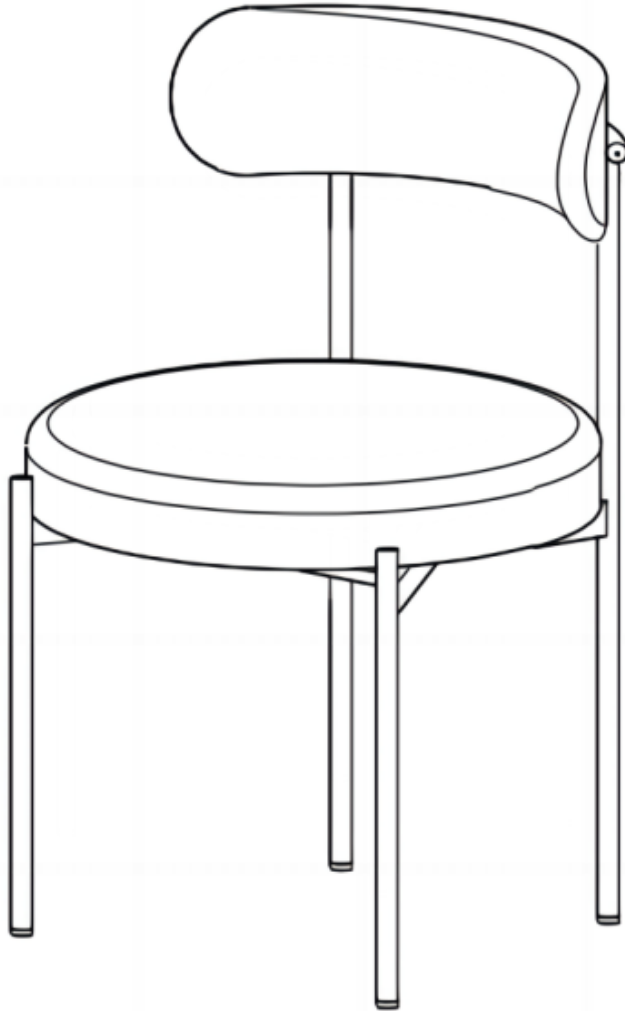


Assembly Instructions

Amber Dining Chair



Lifely*

Product Code

AMBR-DC-WHT Amber Dining Chair

Dimensions (W x D x H)

530x530x775mm

Important

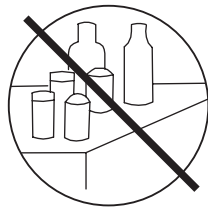
Please read through instruction carefully before assembly and keep for future reference.

For our full catalogue of assembly instructions, visit: lifely.com.au/assembly.

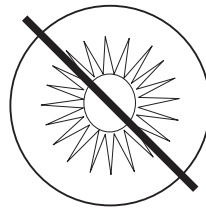
Important Tips and Maintenance



1. Keep children and animals away from working area as smaller parts may cause choking if swallowed.



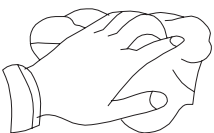
2. Never place liquids or anything damp upon furniture as it will mark. Ensure a coaster or running is beneath.



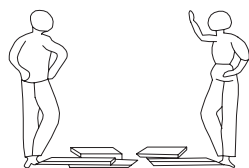
3. Never use ammonia based cleaning products as it will damage the finish.



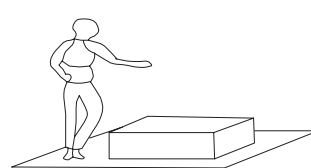
4. To avoid fading, keep furniture out of direct sunlight.



5. Use a soft or damp cloth (dry cloth) when wiping or cleaning surfaces.



6. Two person are required.



7. Lay a soft matt down to protect the furniture piece before and during assembly.

So your relationship is strong. But is it flat-pack furniture strong? Unless you're an aerospace engineer assembling furniture can be slightly stressful. We recommend meditating quietly, pouring yourself a herbal tea (or slightly less herbal wine) and tackling things one step at a time. If you feel a passive aggressive remark coming on, try a compliment instead. E.g. "You're so good looking."

This 4-Step assembly should take around 16 minutes with an Allen Key or 12 minutes with an electric drill. Godspeed.

Component Hardware

Please check you have all the fittings part or tools are listed in below.

No. A
Quantity: 2 Pcs

Screw
M6x30mm



No. B
Quantity: 4 Pcs

Screw
M6x25mm



No. C
Quantity: 6 Pcs

Allen Key



No. D
Quantity: 1 Pc

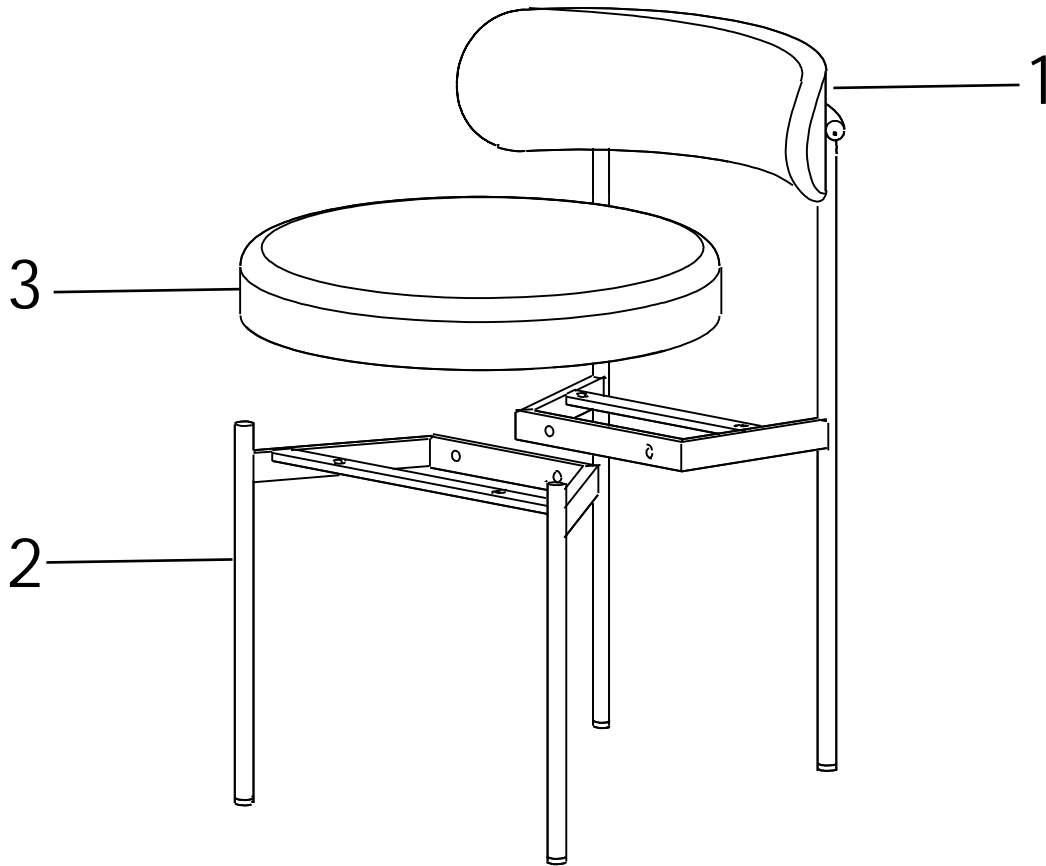
Allen Key



Component Panels & Part List

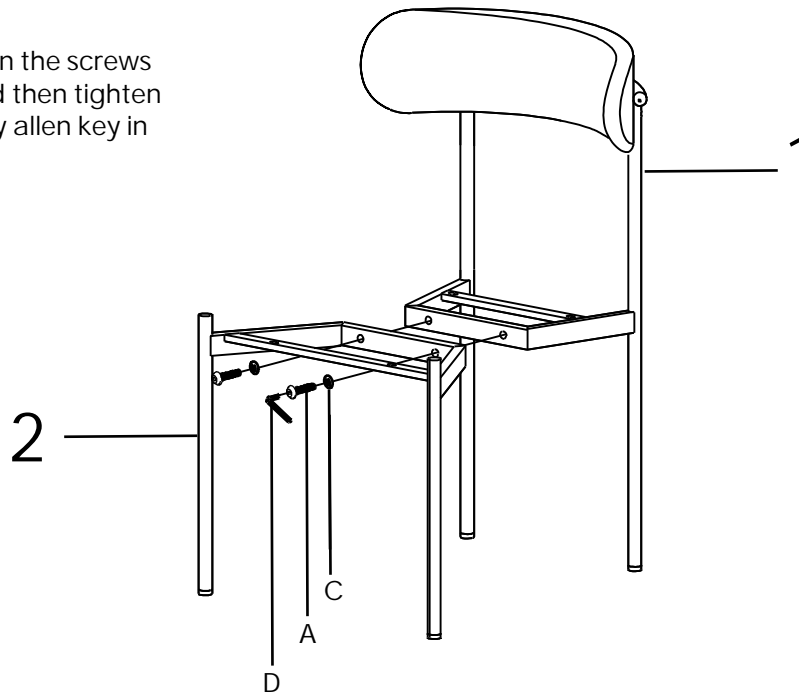
Please check you have all the panels are listed below.

- 1.Back frame with backrest.....x1/1
- 2.Front frame.....x1/1
- 3.Seat.....x1/1



STEP 1

Please fasten the screws 80% by hand then tighten them fully by allen key in STEP 2.



No. A
Quantity: 2 Pcs
Screw
M6x30mm



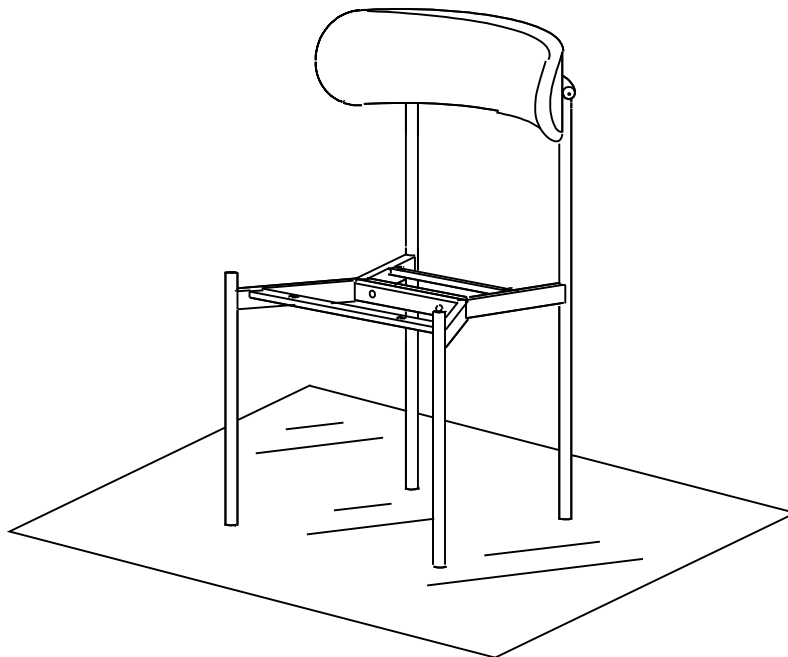
No. C
Quantity: 2 Pcs
Washer



No. D
Quantity: 1 Pc
Allen Key

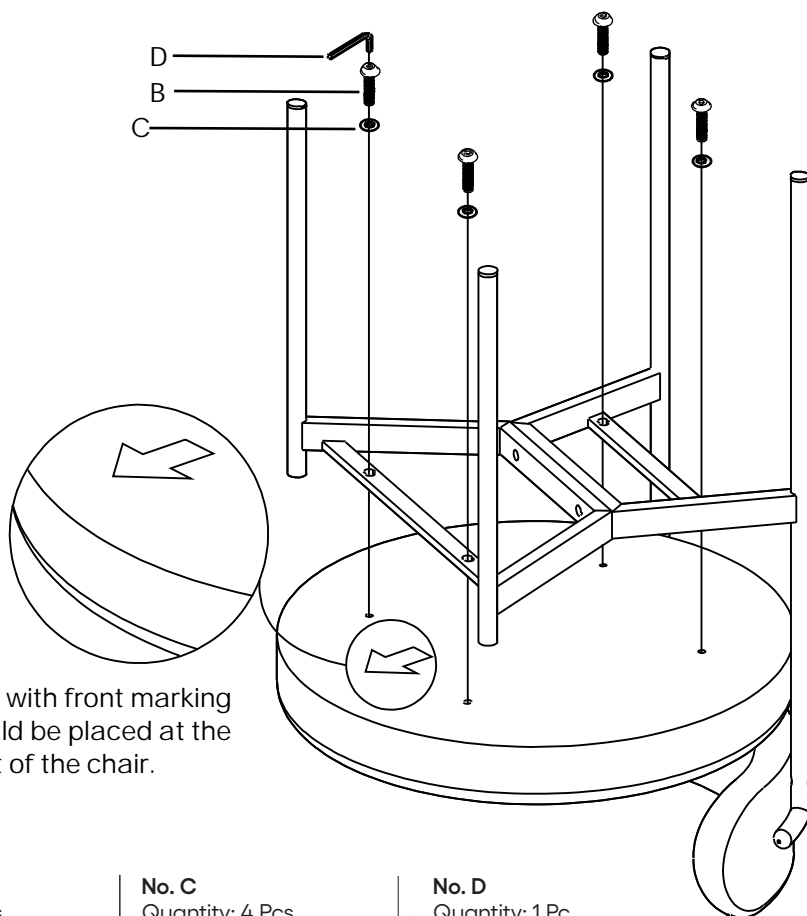


STEP 2



Adjust the feet to the horizon line, and then please tighten screws 100% with Allen key.

STEP 3



Seat with front marking should be placed at the front of the chair.

Please fasten the screws 80% by hand then tighten them fully by Allen key.

No. B
Quantity: 4 Pcs

Screw
M6x25mm



No. C
Quantity: 4 Pcs

Washer

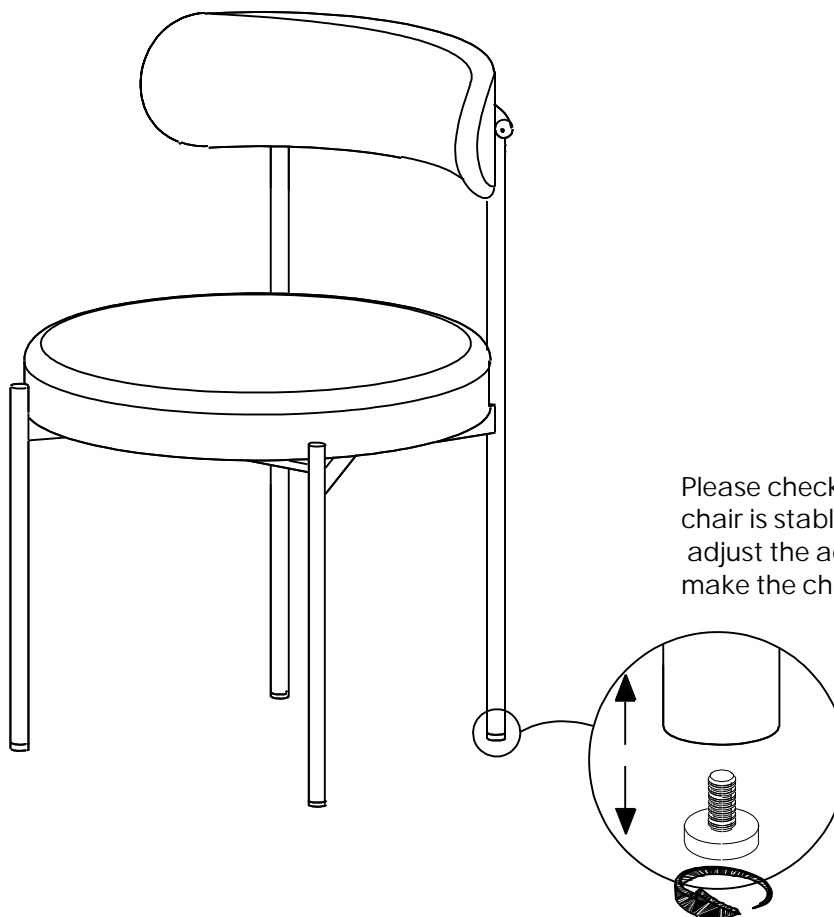


No. D
Quantity: 1 Pc

Allen Key



STEP 4



Please check whether the chair is stable. If not, please adjust the adjusting feet to make the chair stable.

Great job. You're done!

Don't forget to share how it looks in your space and tag us on Instagram.

@lifelyhome #homewithlifely!