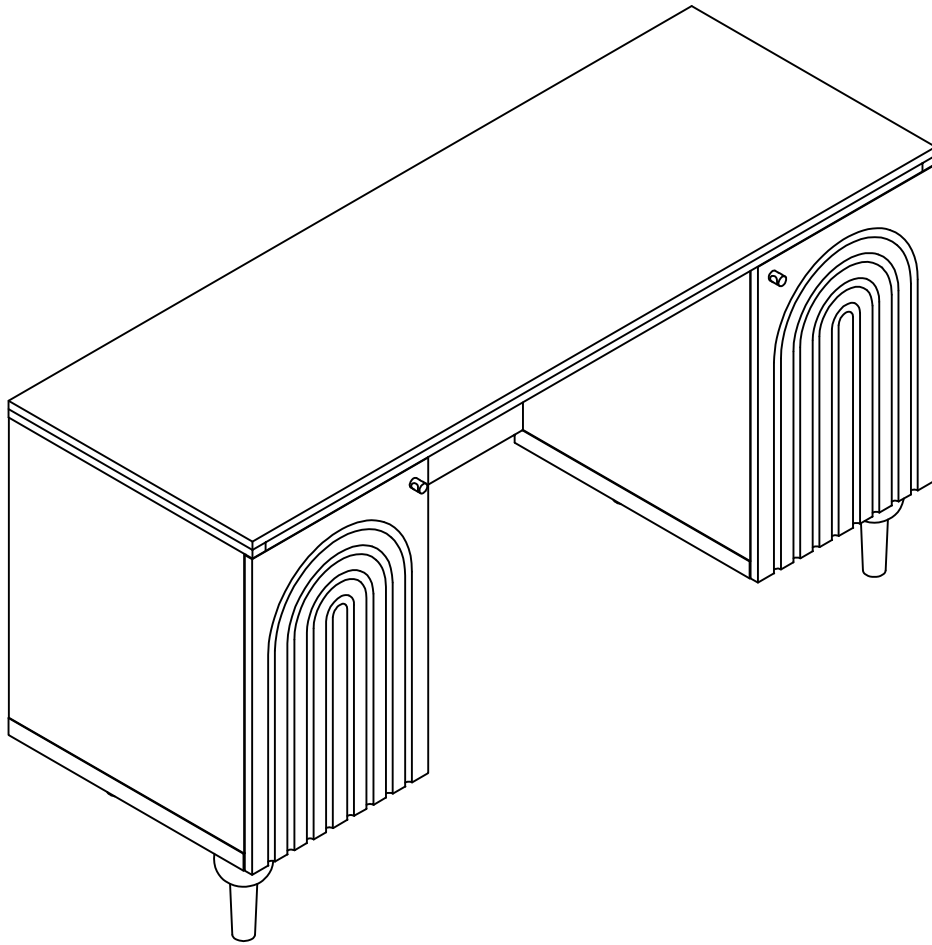


# Assembly Instructions

## Marco Series



# Lifely\*

Product Code  
MACO-D140-NAL

Dimensions(W x D x H)  
1400\*500\*755mm

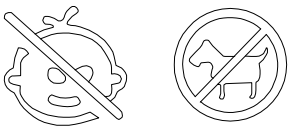
---

### Important

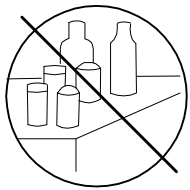
Please read through instruction carefully  
Before assembly and keep for future reference.

For our full catalogue of assembly instructions,  
Visit: [lifely.com.au/assembly](http://lifely.com.au/assembly).

## Important Tips and Maintenance



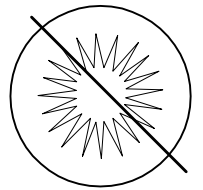
1. Keep children and animals away from working area as smaller parts may cause choking if swallowed.



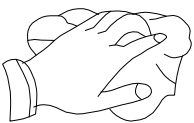
2. Never place liquids or anything damp upon furniture as it will mark. Ensure a coaster or running is beneath.



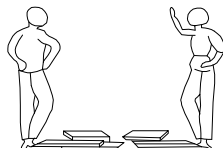
3. Never use ammonia based cleaning products as it will damage the finish.



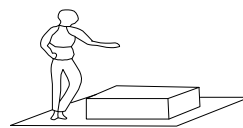
4. To avoid fading, keep furniture out of direct sunlight.



5. Use a soft or damp cloth (dry cloth) when wiping or cleaning surfaces.



6. Two person are required.



7. Lay a soft matt down to protect the furniture piece before and during assembly.

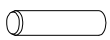
So your relationship is strong. But is it flat-pack furniture strong? Unless you're an aerospace engineer, assembling furniture can be slightly stressful. We recommend meditating quietly, pouring yourself a herbal tea (or slightly less herbal wine) and tackling things one step at a time. If you feel a passive aggressive remark coming on, try a compliment instead. E.g. "You're so good looking".

This 16-step assembly should take around 55 minutes with an Allen key – or 45 minutes with an electric drill. Godspeed.

## Component Hardware

Please check you have all the fittings  
part or tools are listed in below.

No. A  
Quantity:24Pcs  
Dowel  
8\*30mm



No.B  
Quantity:25Pcs  
Cam Bolt  
φ5\*35



No. C  
Quantity:12Pcs  
Bolt  
M6\*50



No. D  
Quantity:25Pcs  
Disc sticker  
φ30



No. E  
Quantity:8Pcs  
Shelf Support Pin  
φ5\*17



No. F  
Quantity:25Pcs  
Canm Nut  
φ15\*11



No. G  
Quantity:4Pcs  
Iron sheet  
140\*50



No. H  
Quantity:16Pcs  
Plastic cover  
φ8\*6



No. I  
Quantity:1Pc  
Allen key



No. J  
Quantity:10Pcs  
Screw  
3\*12



No. K  
Quantity:8Pcs  
Screw  
M6\*12



No. L  
Quantity:24Pcs  
Screw  
3.5\*14



No. M  
Quantity:4Pcs  
Stand-bend page



No. N  
Quantity:2Pcs  
Hold hands



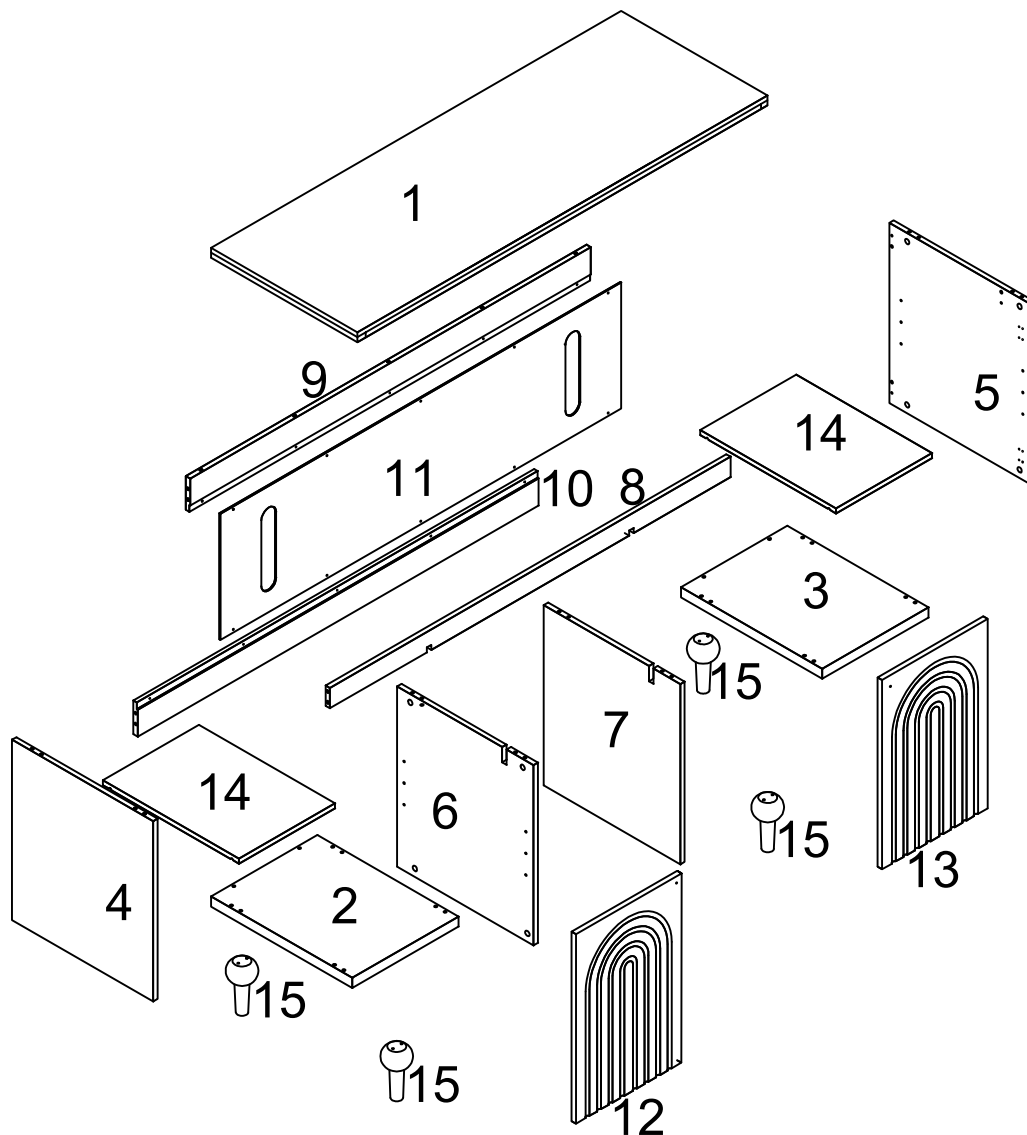
No. O  
Quantity:2Pcs  
Screw  
M4\*19



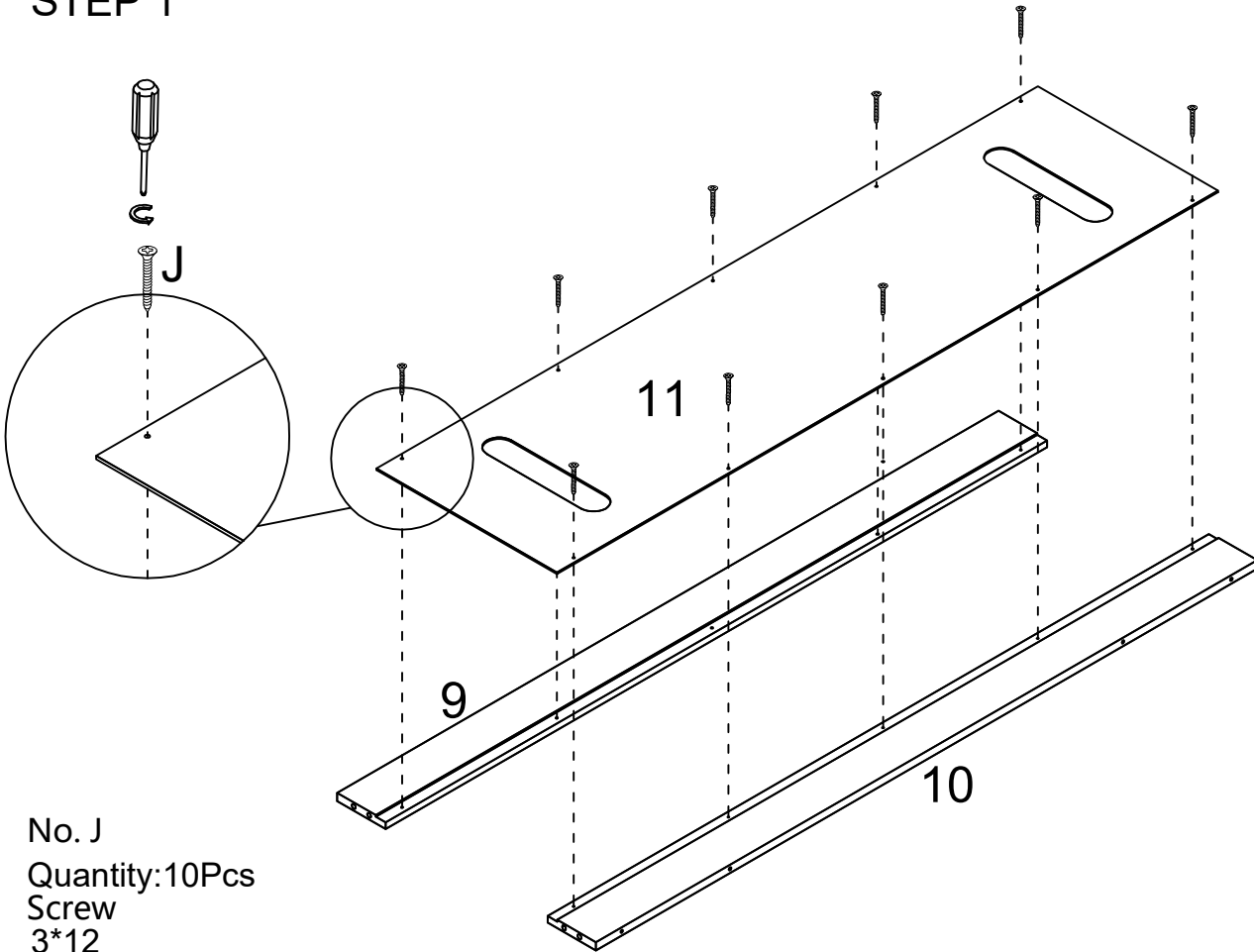
# Component Panels & part List

Please check you have all the panels are listed below.

- |                          |           |                      |           |
|--------------------------|-----------|----------------------|-----------|
| 1. Top panel             | x1 Ctn2/2 | 10. Lower back strip | x1 Ctn22  |
| 2. Left bottom plate     | x2 Ctn1/2 | 11. Back board       | x1 Ctn2/2 |
| 3. Right bottom plate    | x2 Ctn1/2 | 12. Left door panel  | x1 Ctn1/2 |
| 4. Side panel-left       | x1 Ctn2/2 | 13. Right door panel | x1 Ctn1/2 |
| 5. Side panel-right      | x1 Ctn2/2 | 14. Movable laminate | x2 Ctn2/2 |
| 6. Left neutral plate    | x1 Ctn2/2 | 15. Leg              | x4 Ctn1/2 |
| 7. Right neutral plate   | x1 Ctn2/2 |                      |           |
| 8. Support panel         | x1 Ctn2/2 |                      |           |
| 9. Upper backboard strip | x1 Ctn2/2 |                      |           |



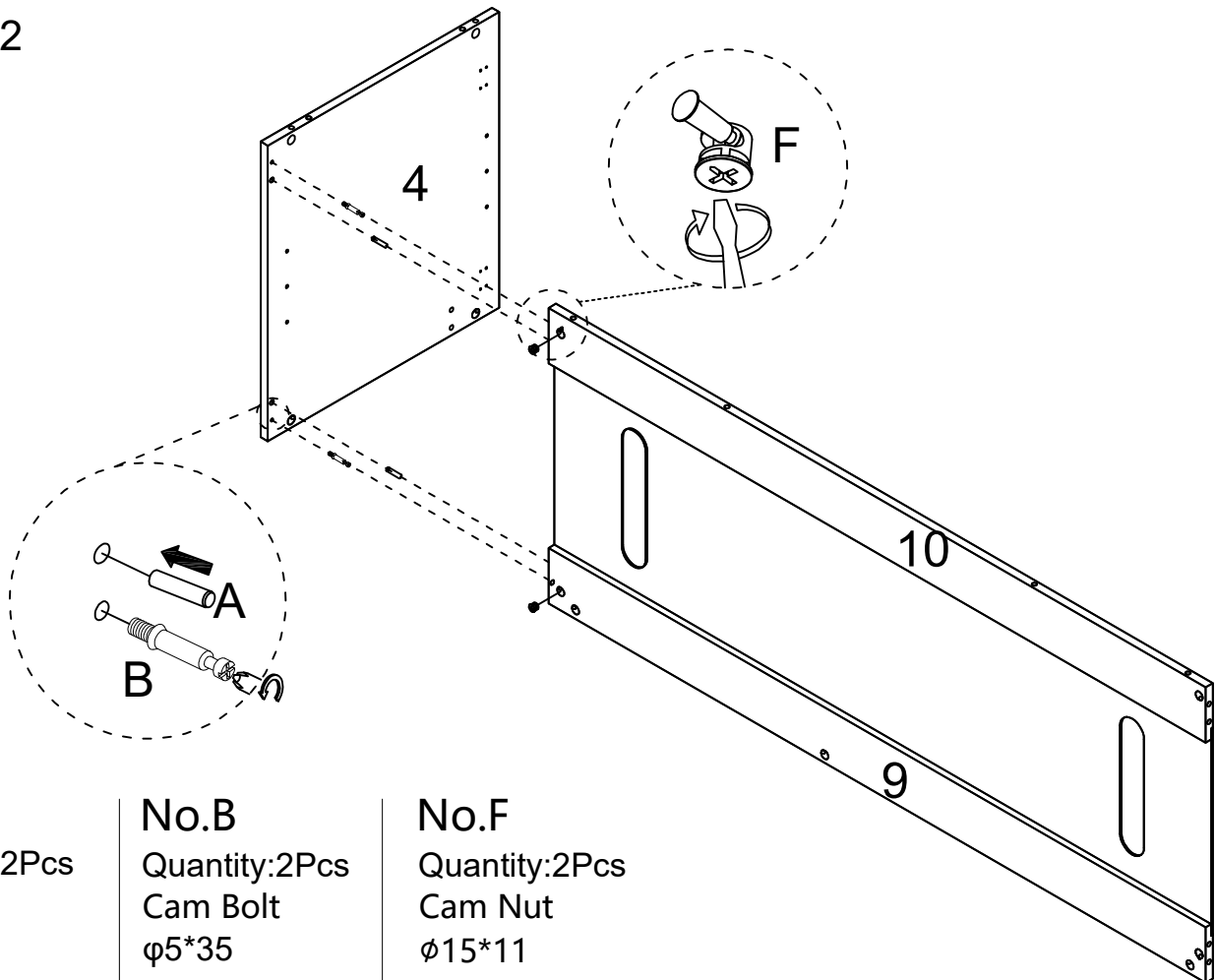
## STEP 1



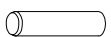
No. J  
Quantity: 10Pcs  
Screw  
3\*12



## STEP 2



No. A  
Quantity: 2Pcs  
Dowel  
8\*30mm



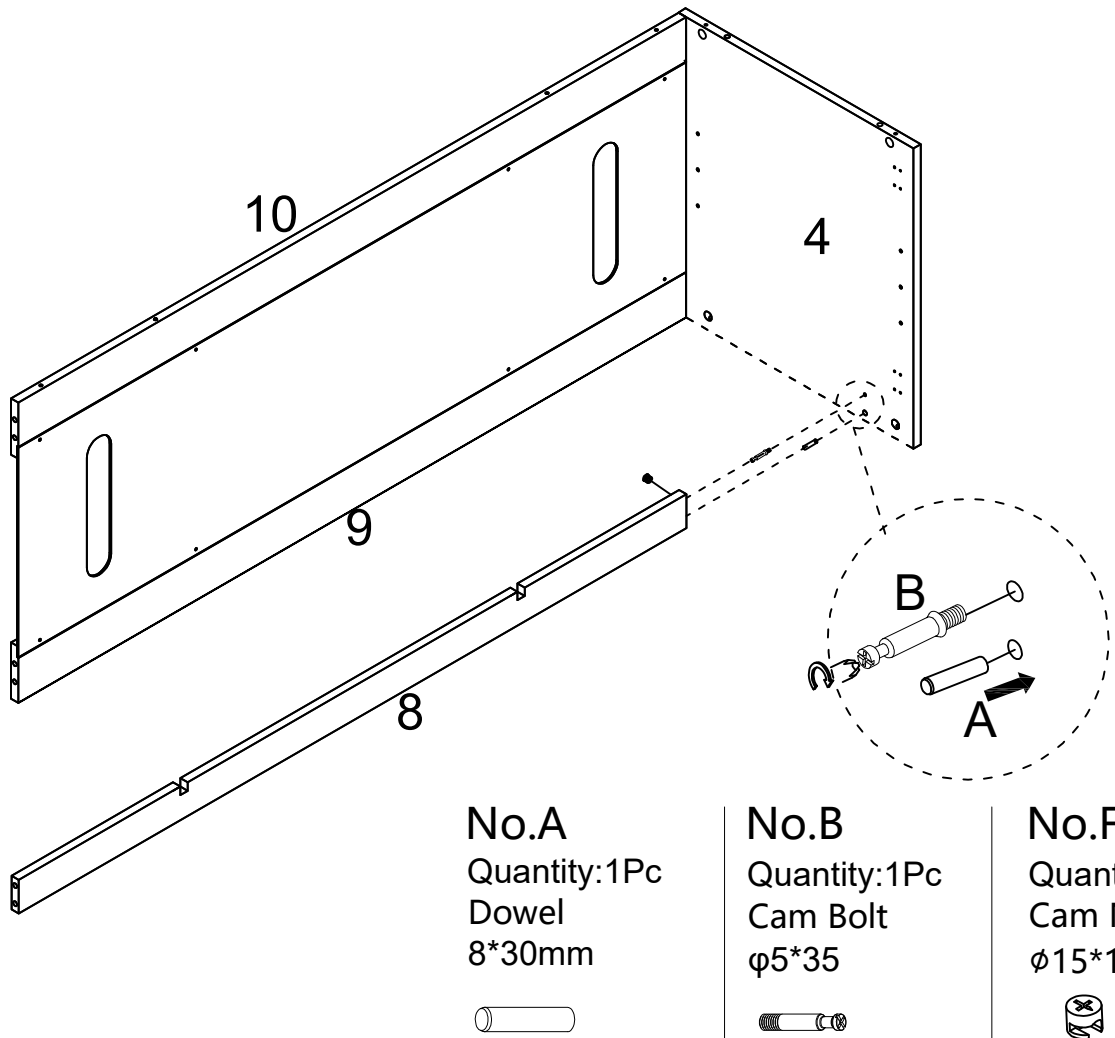
No. B  
Quantity: 2Pcs  
Cam Bolt  
φ5\*35



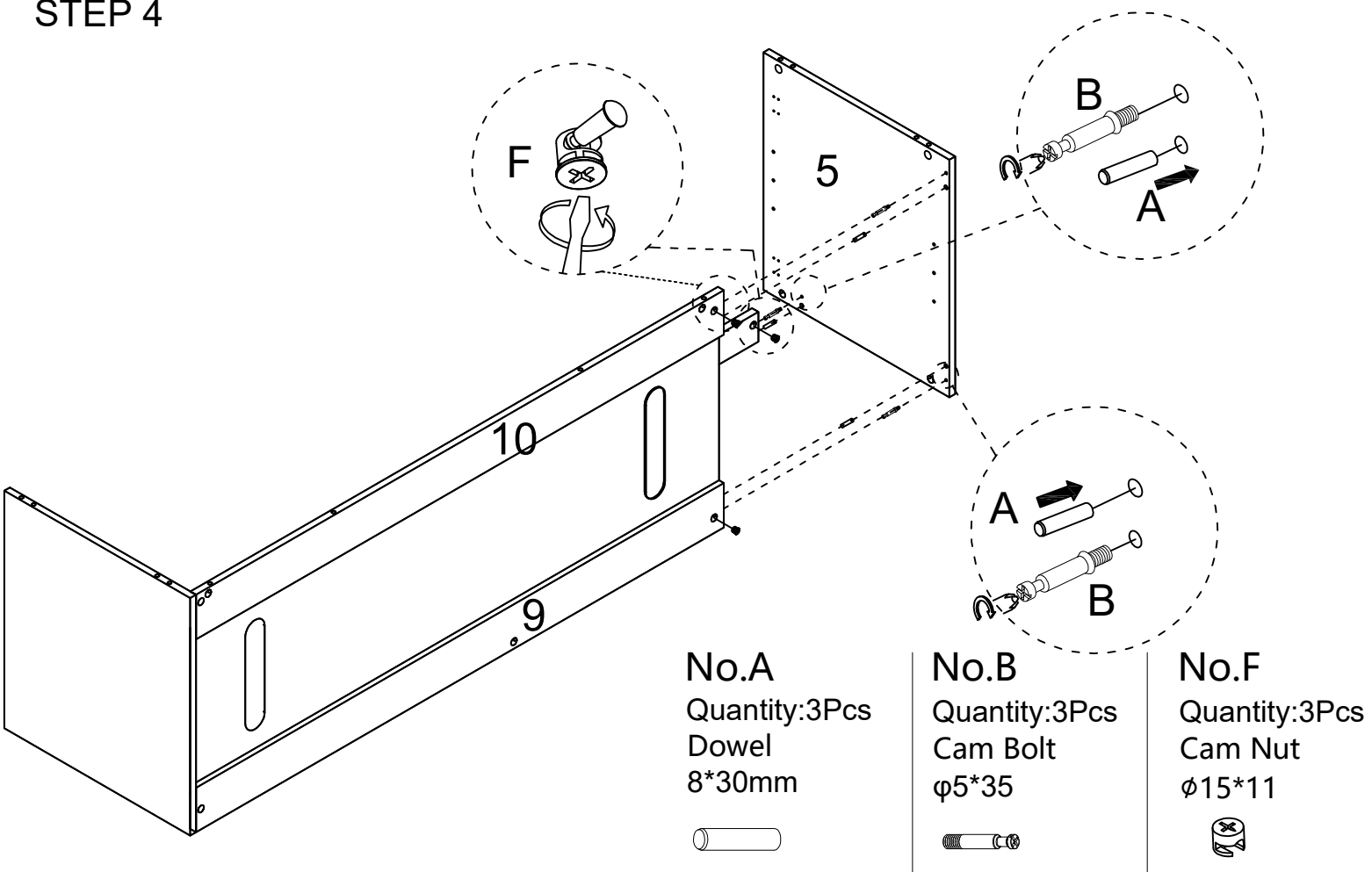
No. F  
Quantity: 2Pcs  
Cam Nut  
φ15\*11



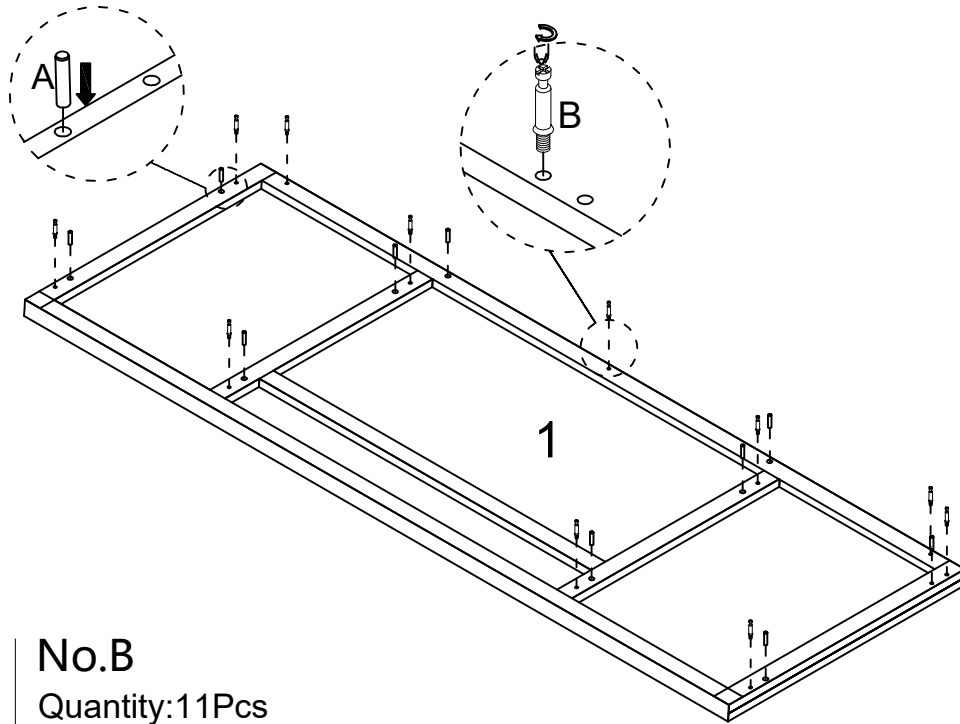
### STEP 3



### STEP 4



## STEP 5



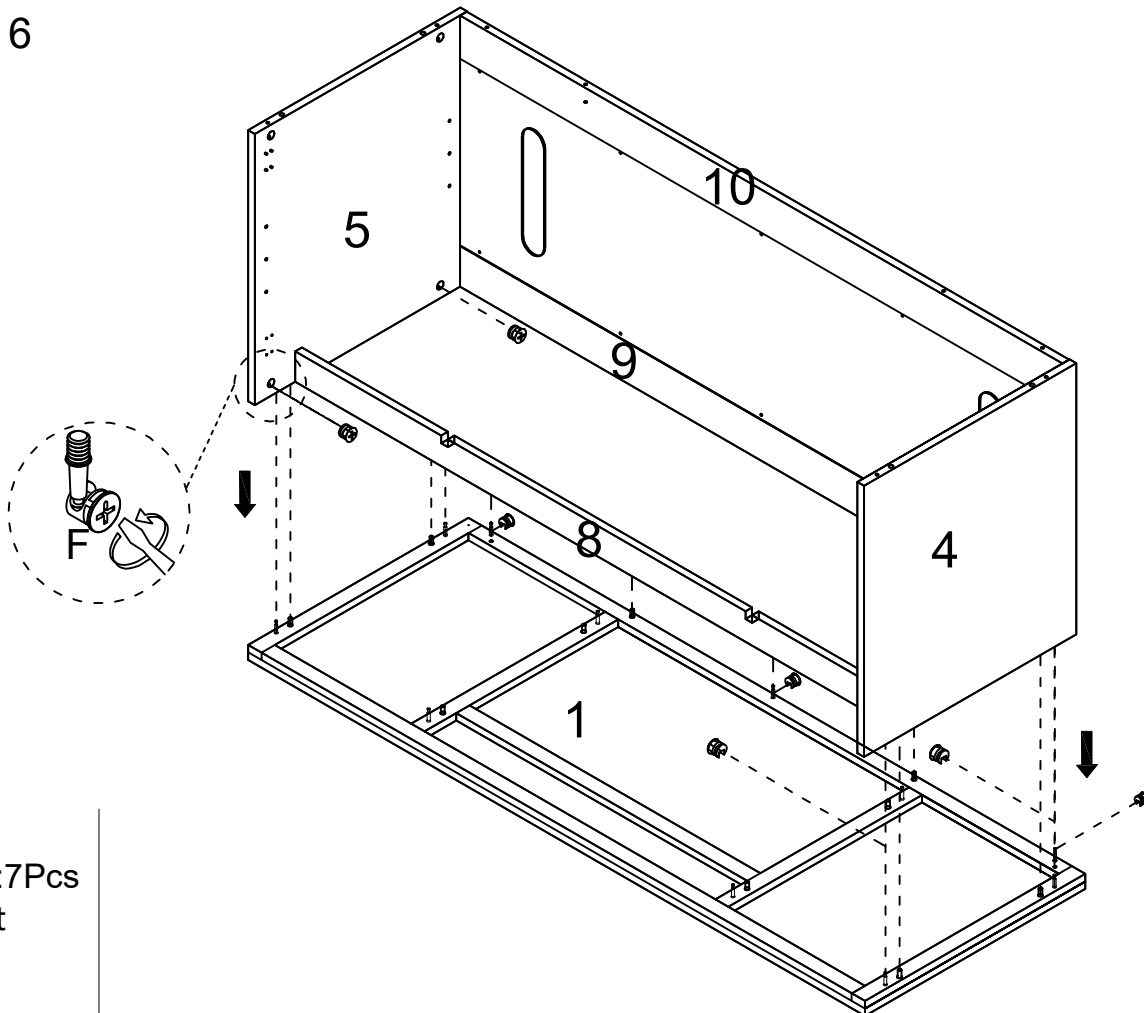
**No.A**  
Quantity:10Pcs  
Dowel  
8\*30mm



**No.B**  
Quantity:11Pcs  
Cam Bolt  
 $\phi 5 \times 35$



## STEP 6

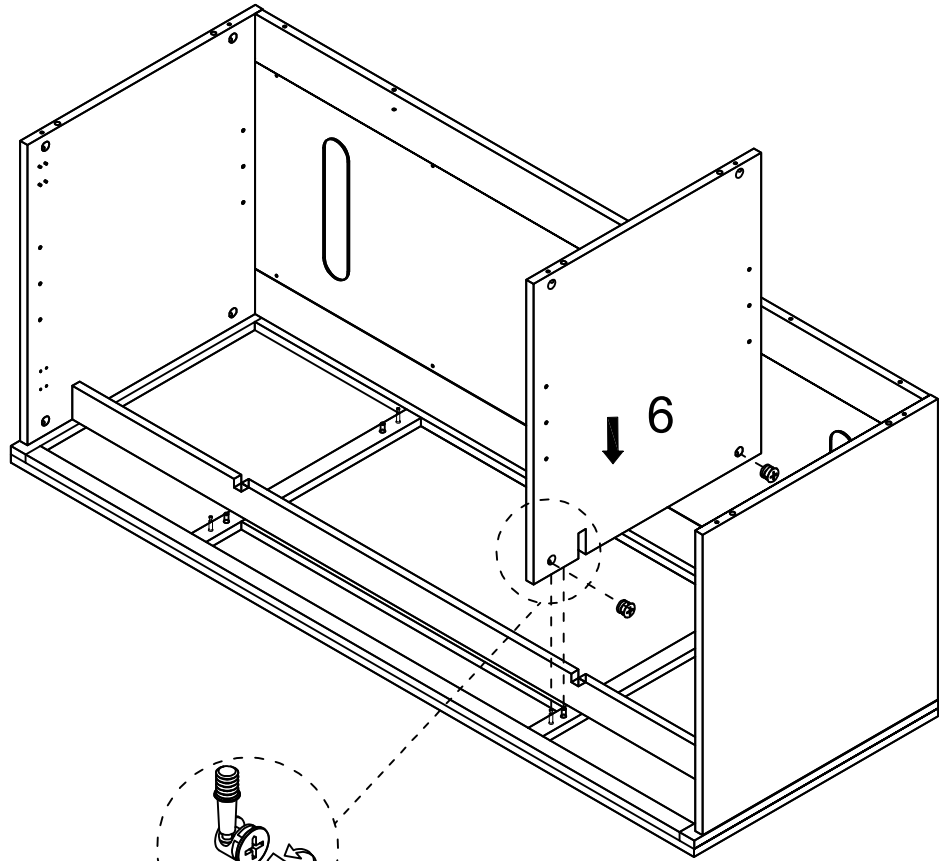


**No.F**  
Quantity:7Pcs  
Cam Nut  
 $\phi 15 \times 11$

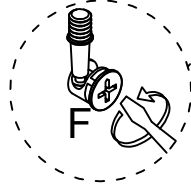




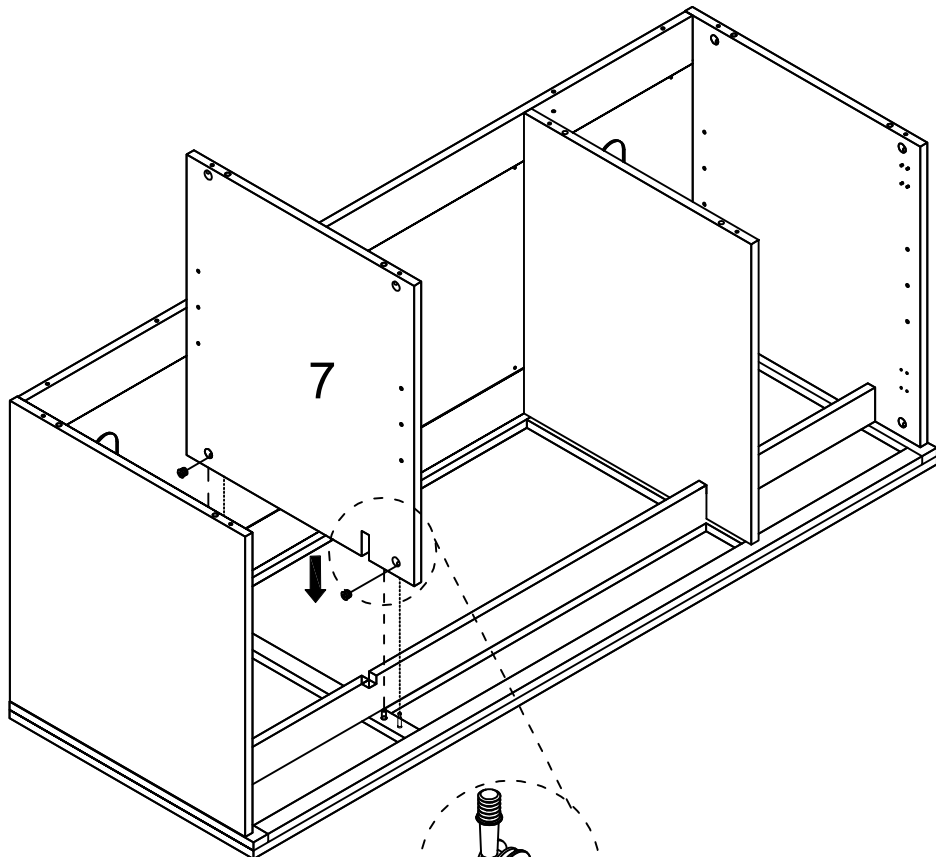
## STEP 7



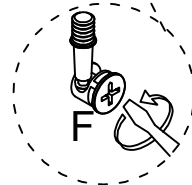
No.F  
Quantity:2Pcs  
Cam Nut  
Ø15\*11



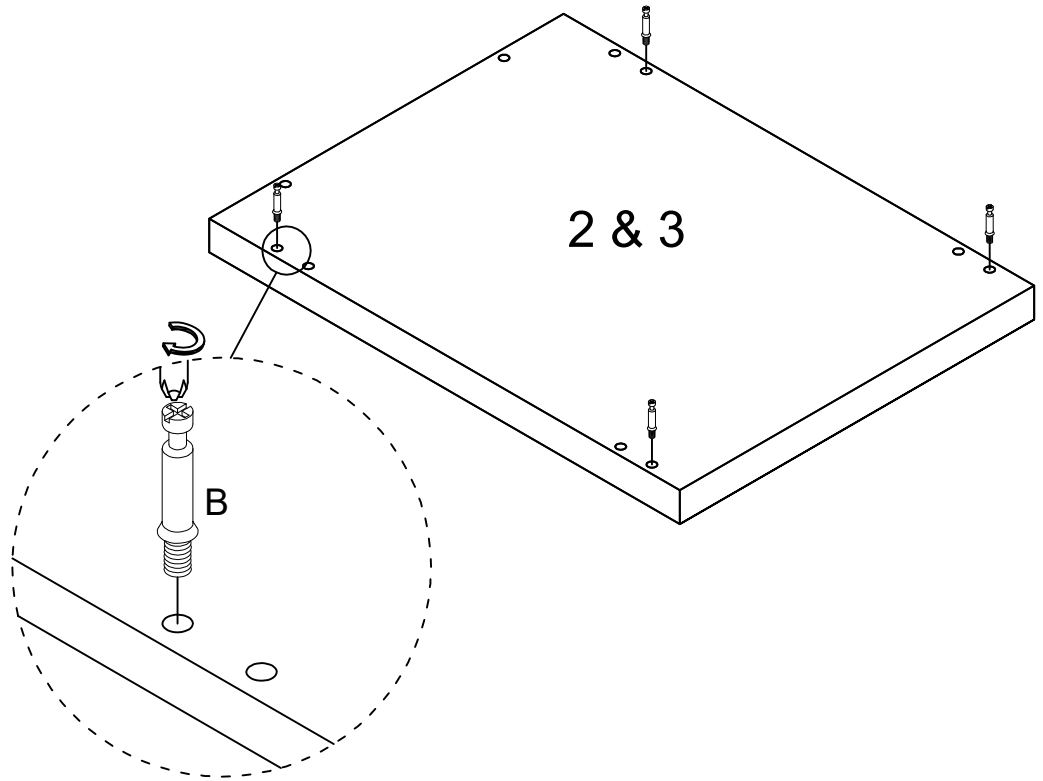
## STEP 8



No.F  
Quantity:2Pcs  
Cam Nut  
Ø15\*11



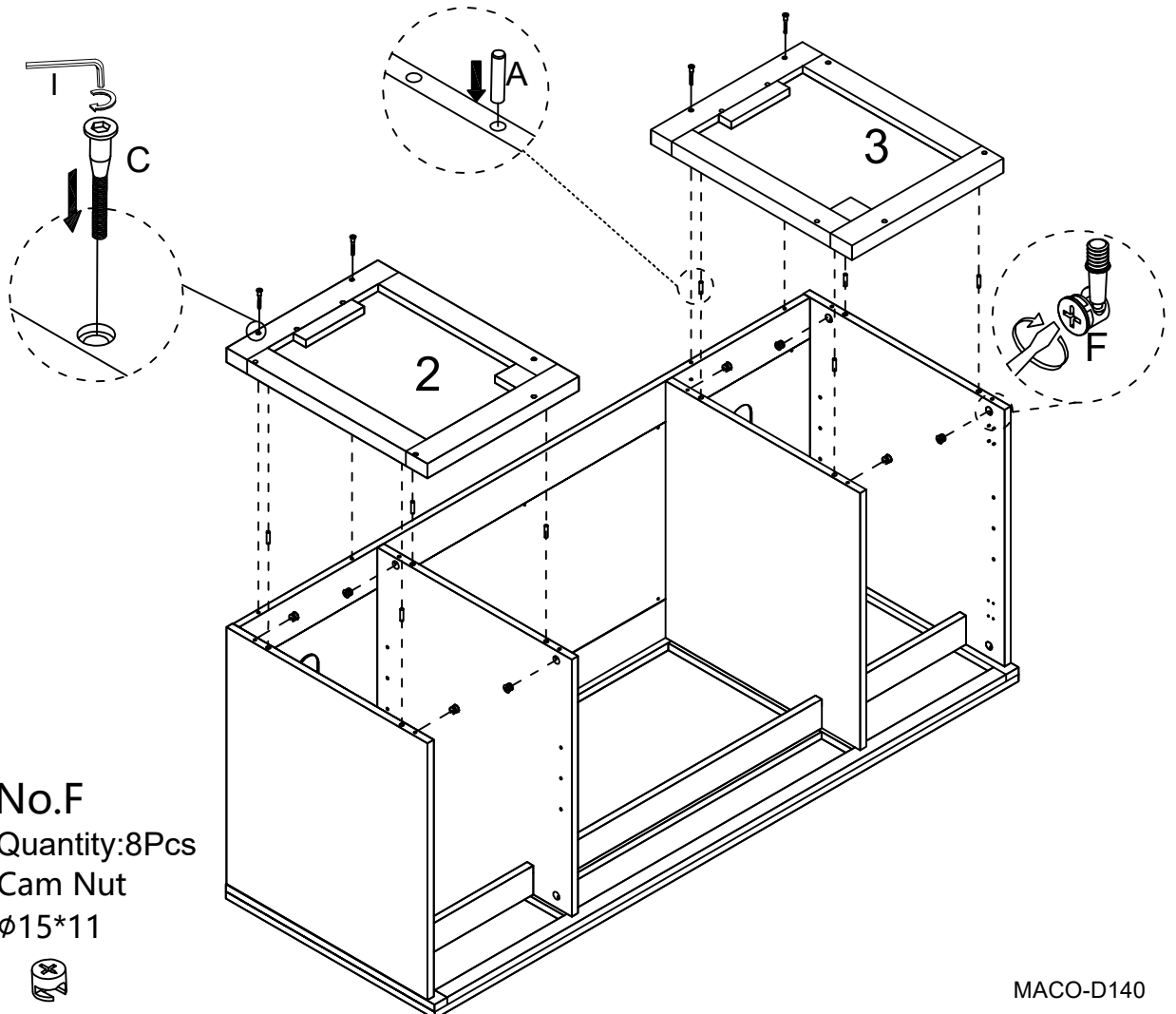
# STEP 9



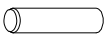
**No.B**  
Quantity:8Pcs  
Cam Bolt  
φ5\*35



# STEP 10



**No.A**  
Quantity:8Pcs  
Dowel  
8\*30mm



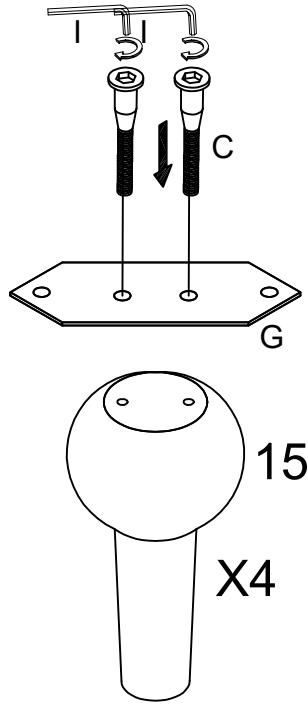
**No.C**  
Quantity:4Pcs  
Bolt  
M6\*50



**No.F**  
Quantity:8Pcs  
Cam Nut  
φ15\*11



# STEP 11

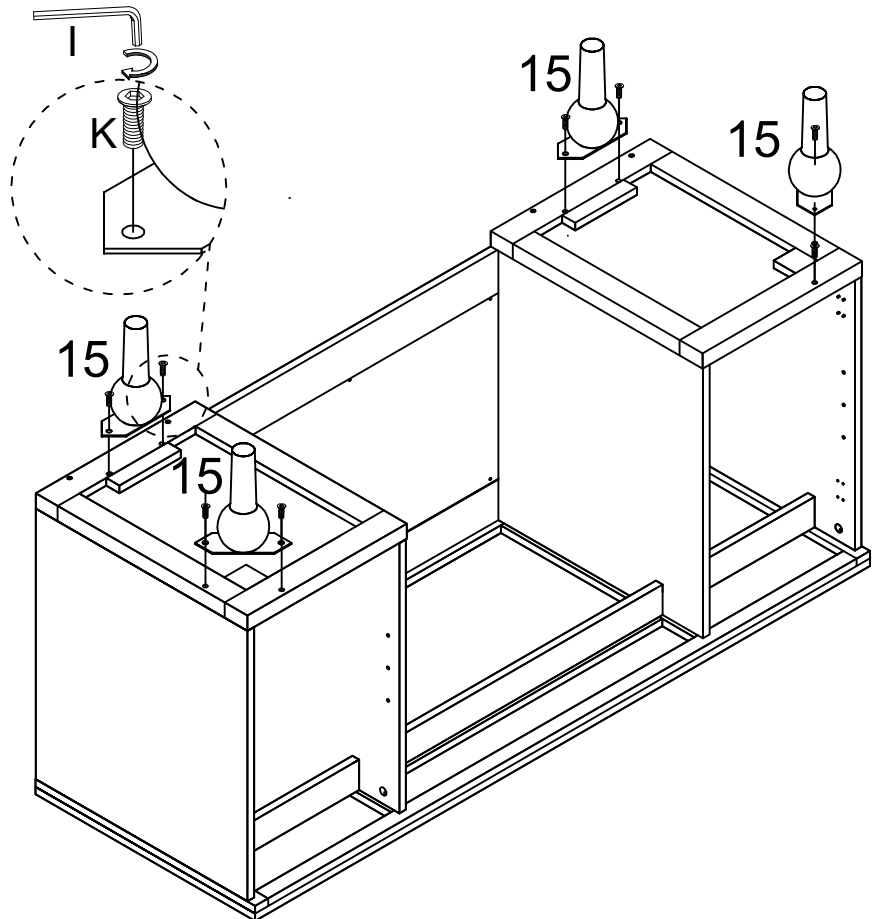


**No.G**  
Quantity:4Pcs  
Iron sheet  
140\*50

**No.C**  
Quantity:8Pcs  
Bolt  
M6\*50



# STEP 12

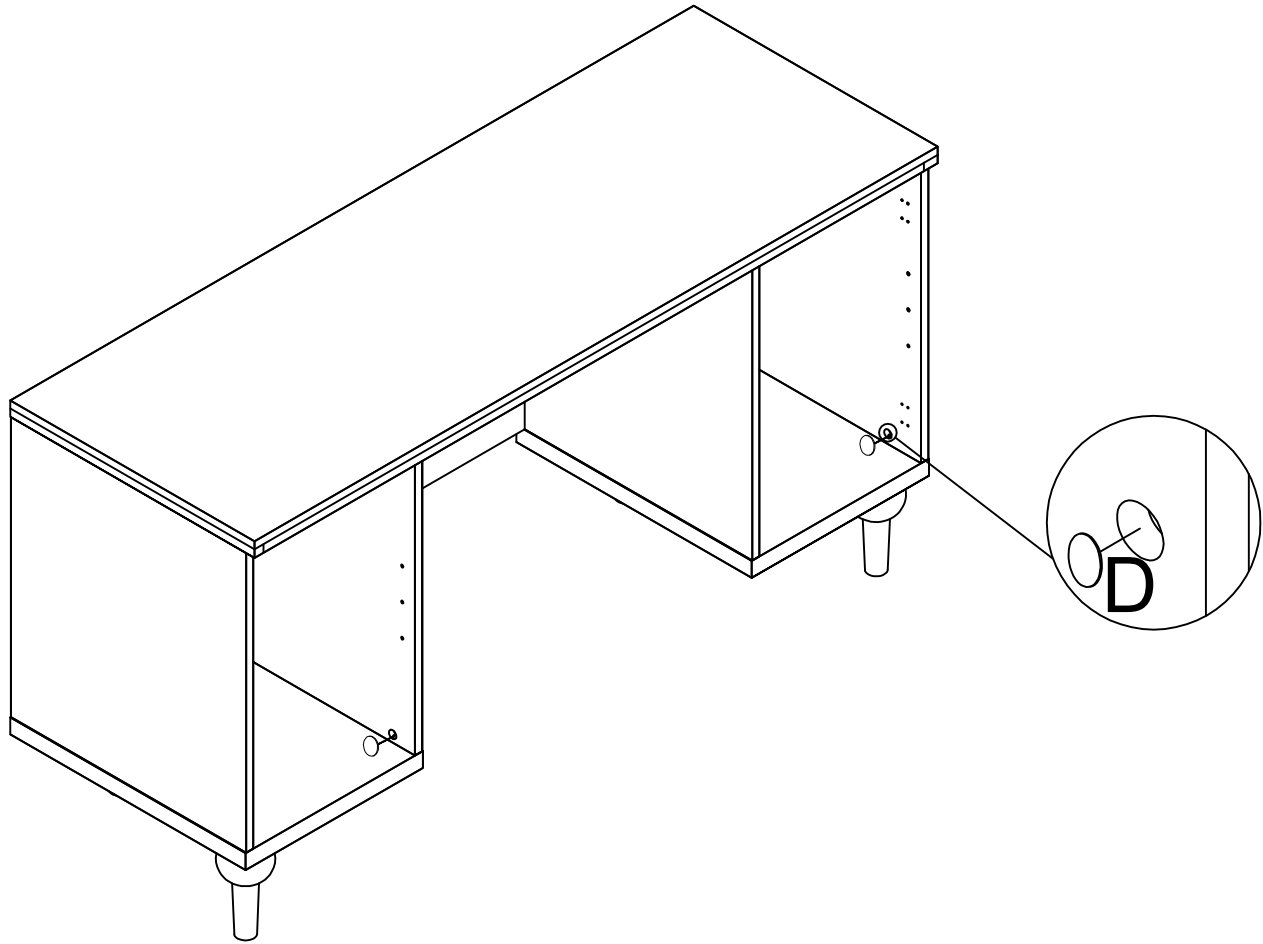


**No.K**  
Quantity:8Pcs  
Screw  
M6\*12

**No.I**  
Quantity:1Pc  
Allen key



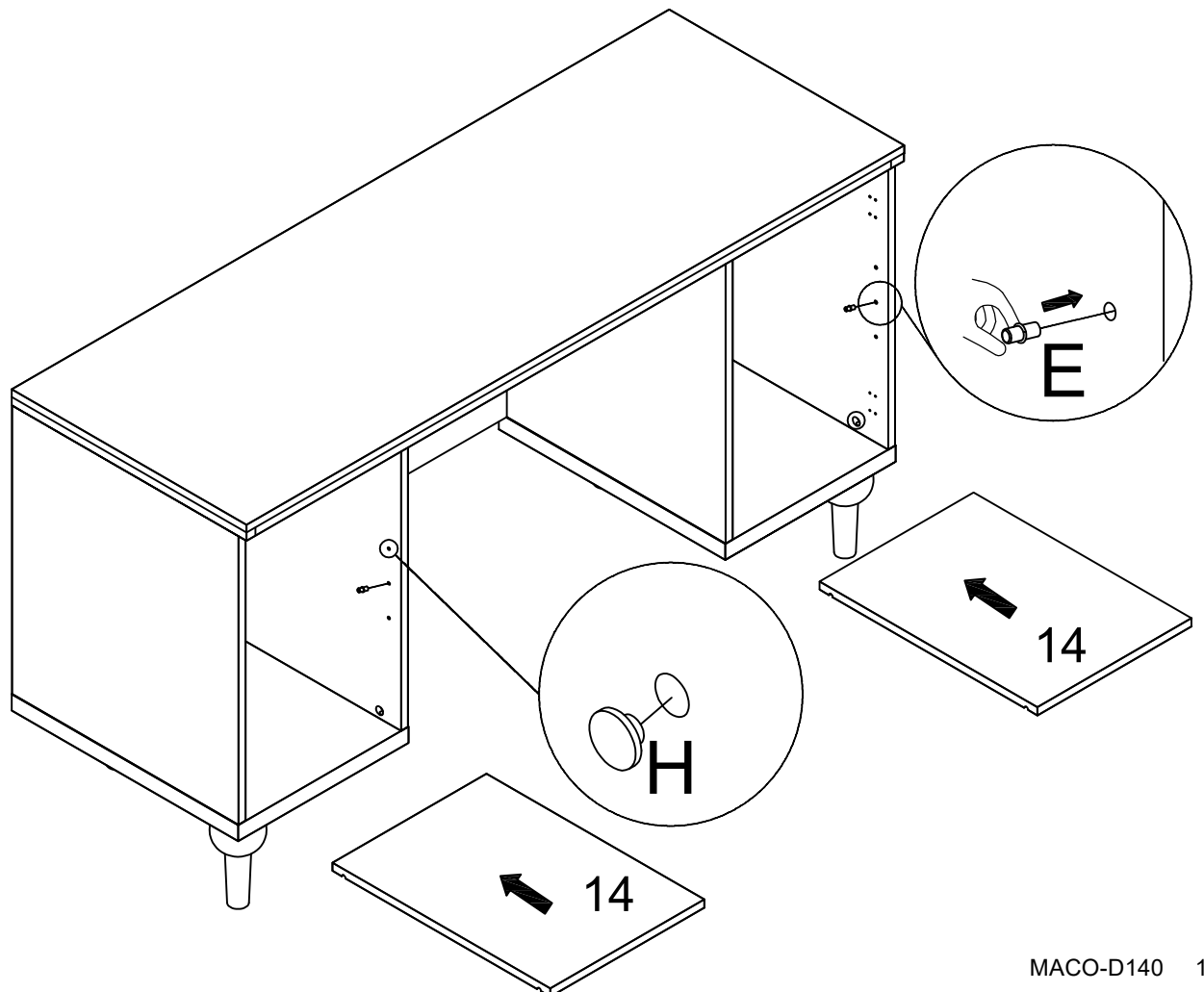
## STEP 13



No.D  
Quantity:25Pcs  
Disc sticker  
φ30



## STEP 14



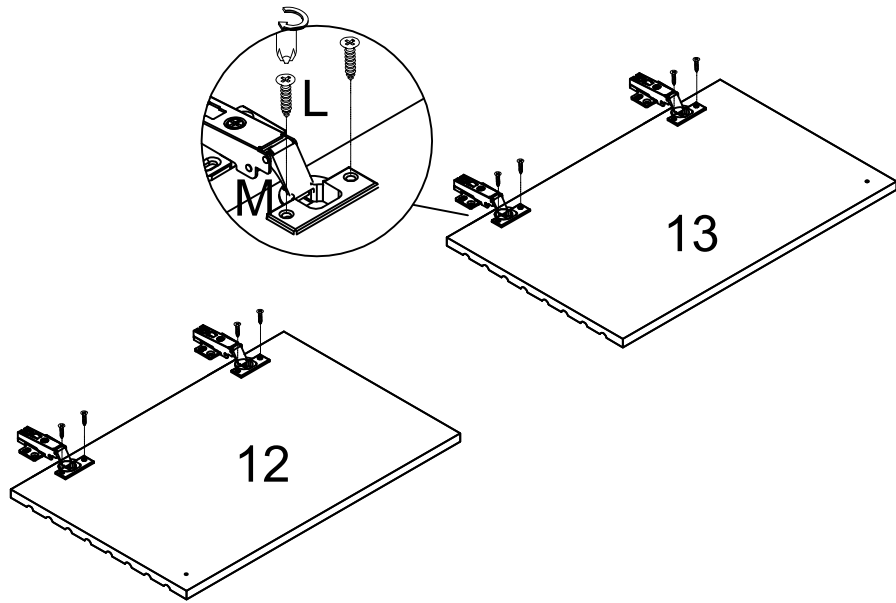
No.E  
Quantity:8Pcs  
Shelf Support Pin  
φ5\*17



No.H  
Quantity:16Pcs  
Plastic cover  
φ8\*6



# STEP 15



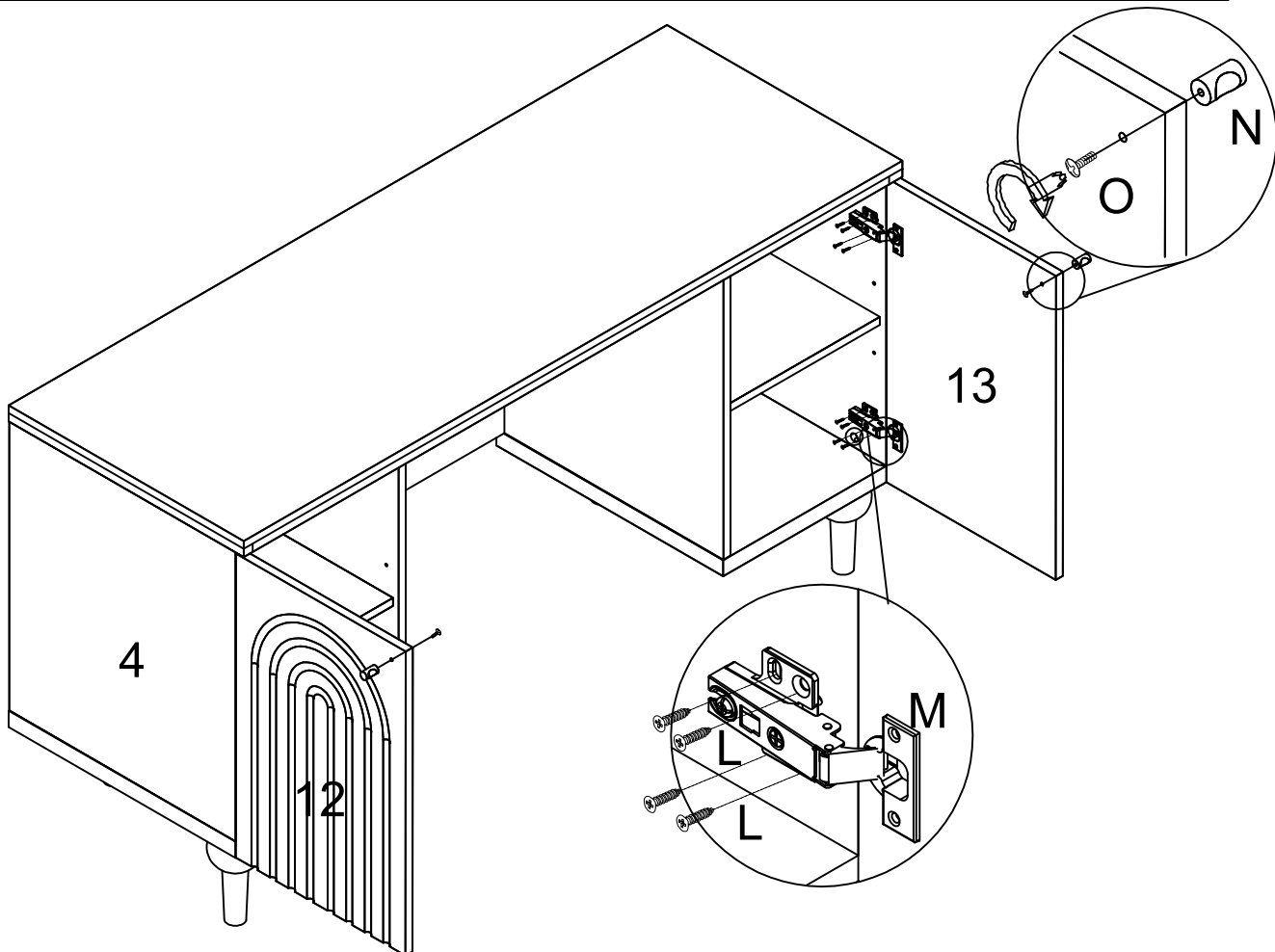
**No.L**  
Quantity:8Pcs  
Screw  
Ø3.5\*14



**No.M**  
Quantity:4Pcs  
Stand-bend page



# STEP 16



**No.L**  
Quantity:16Pcs  
Screw  
Ø3.5\*14



**No.N**  
Quantity:2Pcs  
Hold hands



**No.O**  
Quantity:2Pcs  
Screw  
M4\*19



Great job. You're done!

Don't forget to share how it looks in  
your space and tag us on Instagram.  
@lifelyhome#homewithlifely!