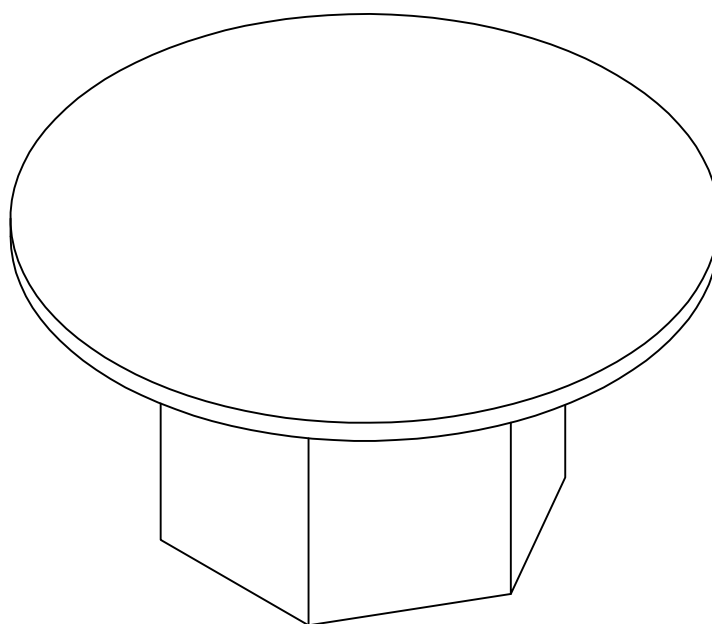


Assembly Instructions

Adrian Series



Lifely*

Product Code
ADRN-CT-ROND COFFEE TABLE

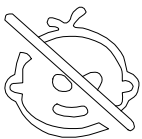
Dimensions(W x D x H)
800*800*400mm

Important

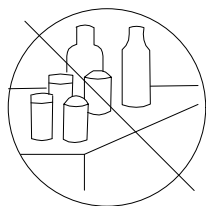
Please read through instruction carefully
Before assembly and keep for future reference.

For our full catalogue of assembly instructions,
Visit: lifely.com.au/assembly.

Important Tips and Maintenance



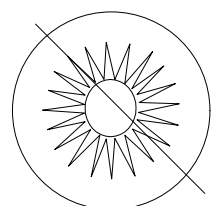
1. Keep children and animals away from working area as smaller parts may cause choking if swallowed.



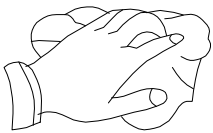
2. Never place liquids or anything damp upon furniture as it will mark. Ensure a coaster or running is beneath.



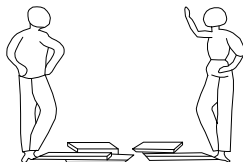
3. Never use ammonia based cleaning products as it will damage the finish.



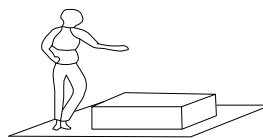
4. To avoid fading, keep furniture out of direct sunlight.



5. Use a soft or damp cloth (dry cloth) when wiping or cleaning surfaces.



6. Two person are required.



7. Lay a soft matt down to protect the furniture piece before and during assembly.

Max load: 30kgs

Please do not allow child climb on the top of the product to avoid hurt by tipping.

So your relationship is strong. But is it flat-pack furniture strong? Unless you're an aerospace engineer, assembling furniture can be slightly stressful. We recommend meditating quietly, pouring yourself a herbal tea (or slightly less herbal wine) and tackling things one step at a time. If you feel a passive aggressive remark coming on, try a compliment instead. E.g. "You're so good looking"

This 3-step assembly should take around 45 minutes with an Allen Key - or 30 minutes with an electric drill. Godspeed.

Designed for everyday

Component Hardware

Please check you have all the fittings
part or tools are listed in below.

No. A
Quantity:8Pcs
Screw
M6*20mm



No. B
Quantity:8Pcs
Screw
4*25mm



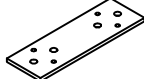
No. C
Quantity:1Pc
Allen Key
4#



No. D
Quantity:4Pcs
Foot Pad
φ60



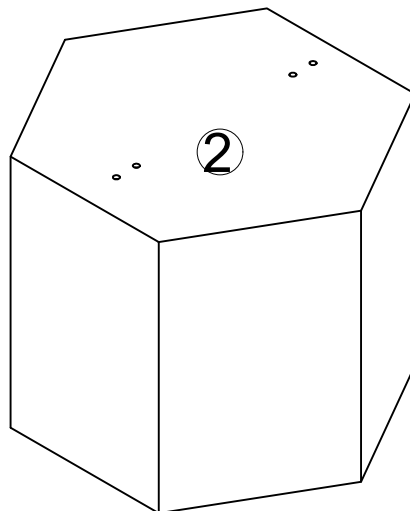
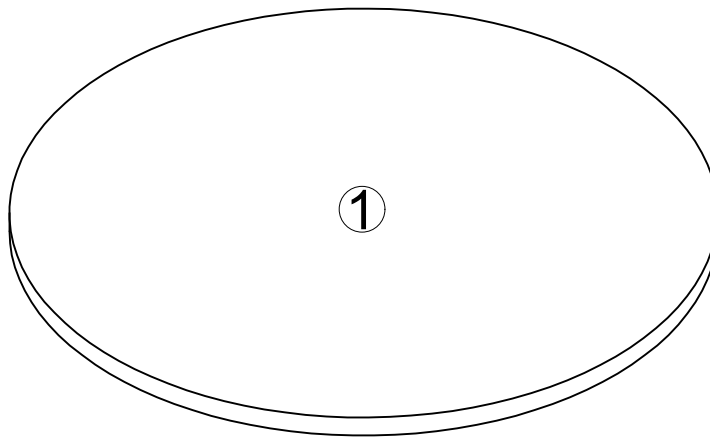
No. E
Quantity:2Pcs
Metal Plate
160*50*5



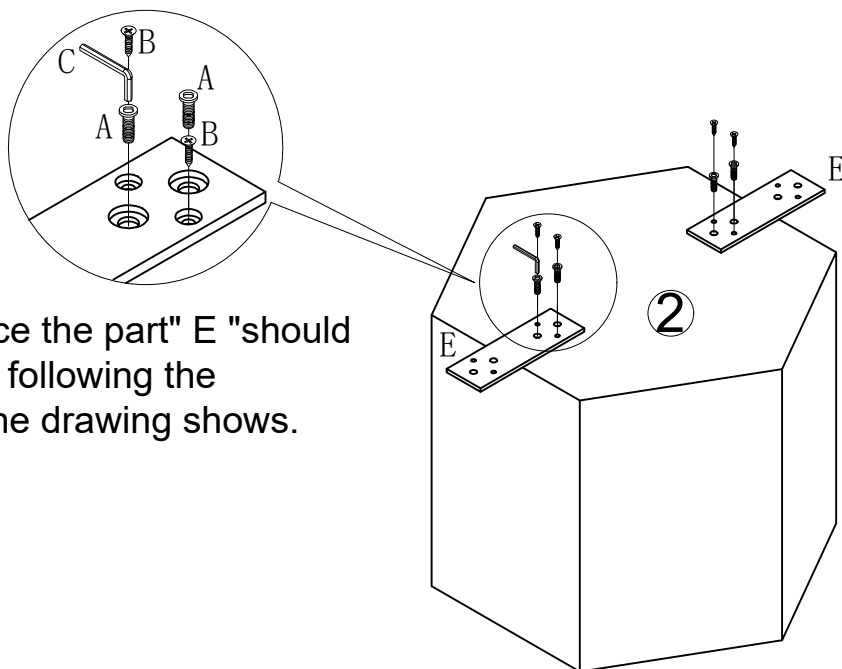
Component Panels & part List

Please check you have all the panels
are listed below.

1. Table Top ————— x1 CTN 1/2
2. Table Leg ————— x1 CTN 2/2



STEP 1



Please notice the part " E "should
screwed by following the
directions the drawing shows.

No. A

Quantity:4 Pcs

Screw
M6*20mm



No. B

Quantity:4Pcs

Screw
4*25mm



No. C

Quantity:1 Pc

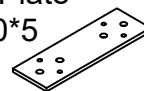
Allen Key
4#



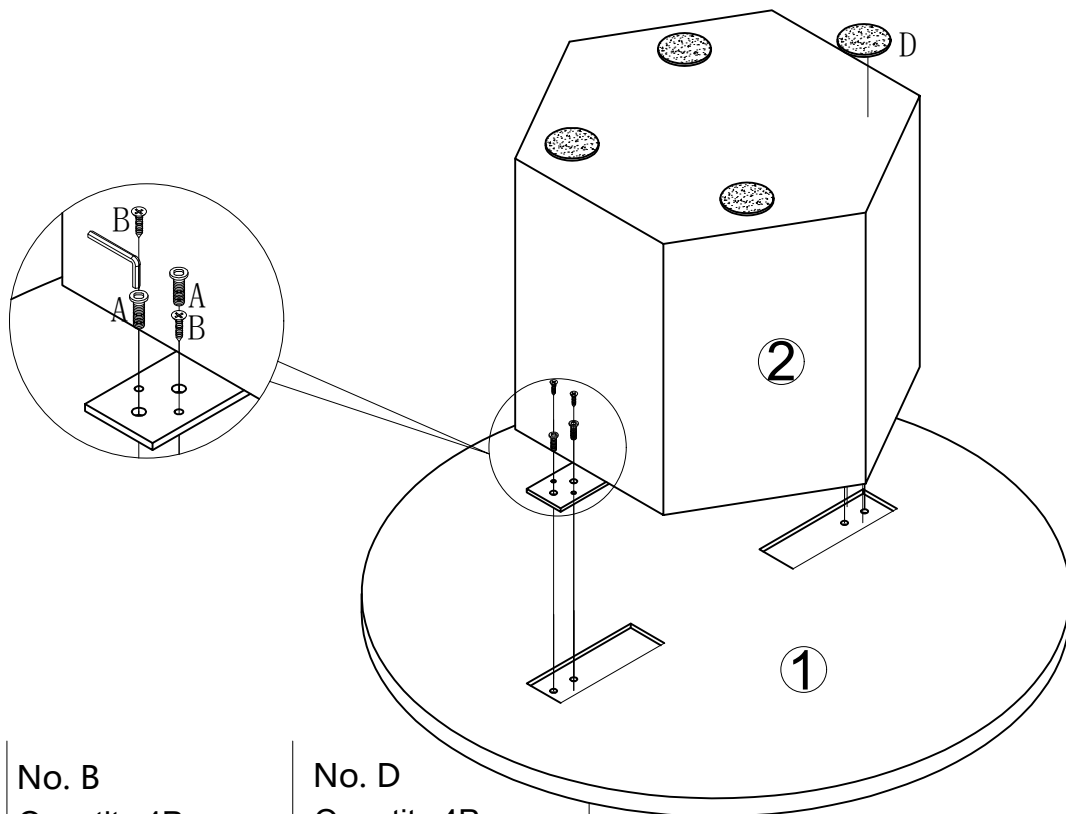
No. E

Quantity:2Pcs

Metal Plate
160*50*5



STEP 2



No. A

Quantity:4 Pcs

Screw
M6*20mm



No. B

Quantity:4Pcs

Screw
4*25mm



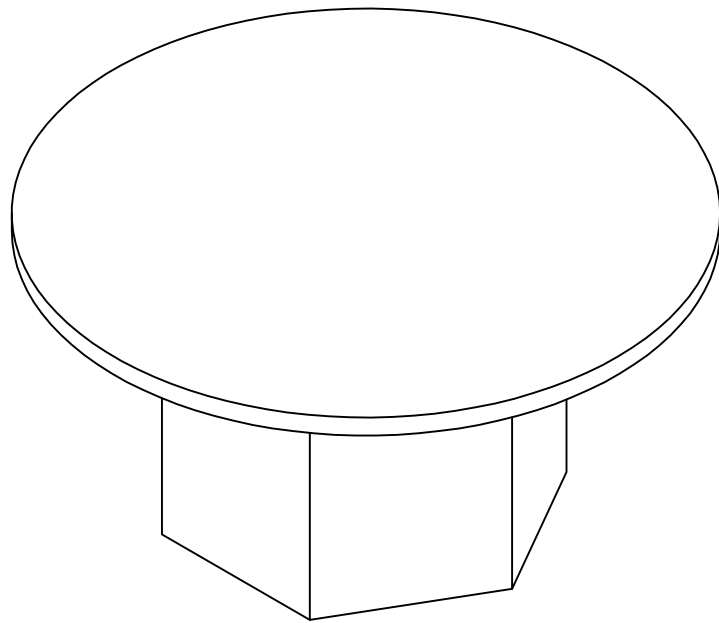
No. D

Quantity:4Pcs

Foot Pad
60mm



STEP 3



lifely.com.au

Great job. You're done!

Don't forget to share how it looks in
your space and tag us on Instagram.
[@lifelyhome](#) [#homewithlifely!](#)