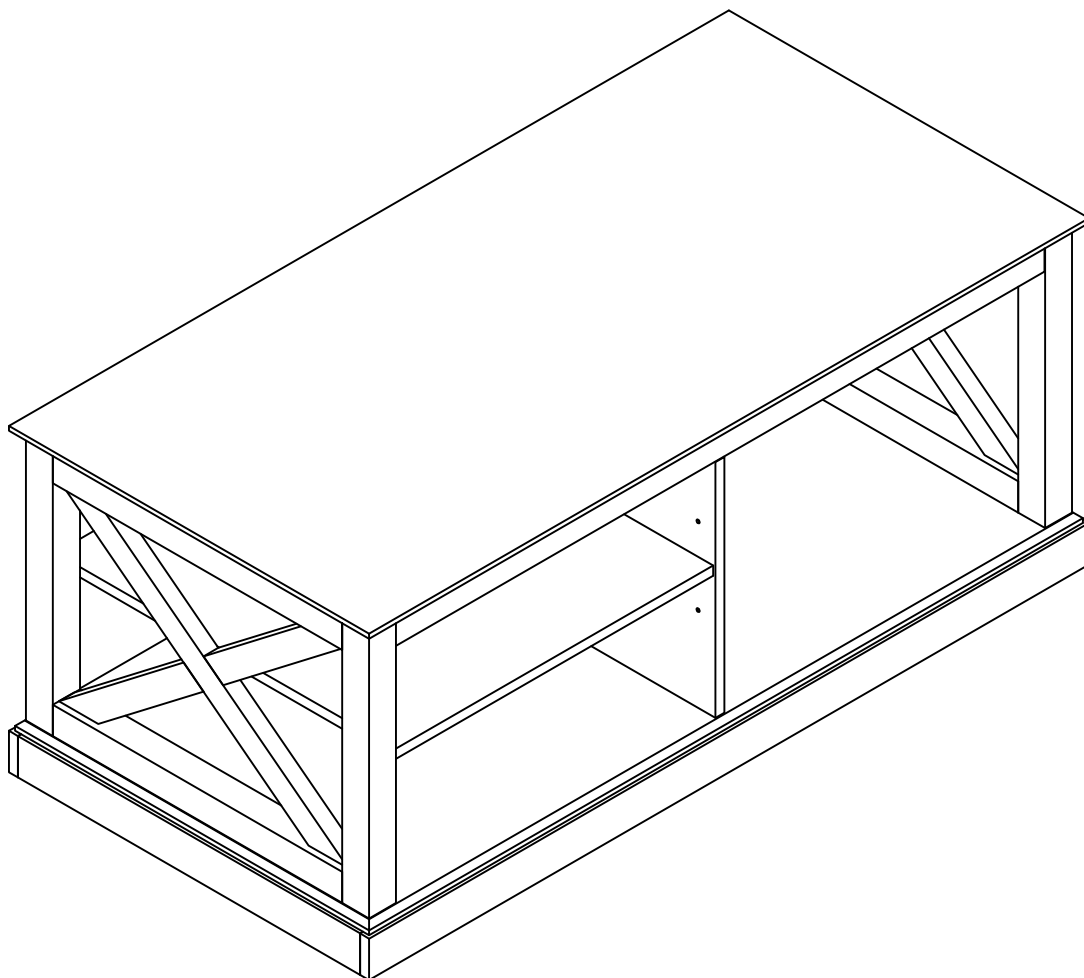


# Assembly Instructions

## Coria Series



# Lifely\*

### Product Code

CORA-CT Coria Coffee Table

### Dimensions(W x D x H)

1200\*600\*500mm

---

### Important

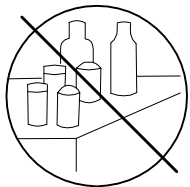
Please read through instruction carefully  
Before assembly and keep for future reference.

For our full catalogue of assembly instructions,  
Visit: [lifely.com.au/assembly](http://lifely.com.au/assembly).

## Important Tips and Maintenance



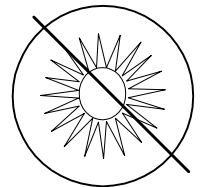
1. Keep children and animals away from working area as smaller parts may cause choking if swallowed.



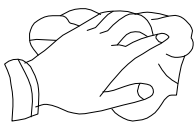
2. Never place liquids or anything damp upon furniture as it will mark. Ensure a coaster or running is beneath.



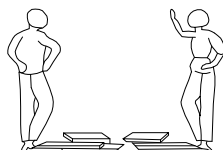
3. Never use ammonia based cleaning products as it will damage the finish.



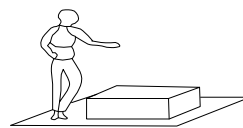
4. To avoid fading, keep furniture out of direct sunlight.



5. Use a soft or damp cloth (dry cloth) when wiping or cleaning surfaces.



6. Two person are required.



7. Lay a soft matt down to protect the furniture piece before and during assembly.

So your relationship is strong. But is it flat-pack furniture strong? Unless you're an aerospace engineer, assembling furniture can be slightly stressful. We recommend meditating quietly, pouring yourself a herbal tea (or slightly less herbal wine) and tackling things one step at a time. If you feel a passive aggressive remark coming on, try a compliment instead. E.g. "You're so good looking".

This 7-step assembly should take around 30 minutes with an Allen key – or 20 minutes with an electric drill. Godspeed.

## Component Hardware

Please check you have all the fittings  
part or tools are listed in below.

No. A  
Quantity:24Pcs  
Dowel  
8\*30mm



No.B  
Quantity:24Pcs  
Cam Bolt  
φ5\*35



No. C  
Quantity:6Pcs  
Bolt  
M6\*50



No. D  
Quantity:24Pcs  
Disc sticker  
φ30



No. E  
Quantity:4Pcs  
Shelf Support Pin  
φ5\*17



No. F  
Quantity:8Pcs  
Plastic cover  
φ8\*6



No. G  
Quantity:24Pcs  
Screw  
3\*12



No.H  
Quantity:1Pc  
Allen key



No.I  
Quantity:12Pc  
Angle code



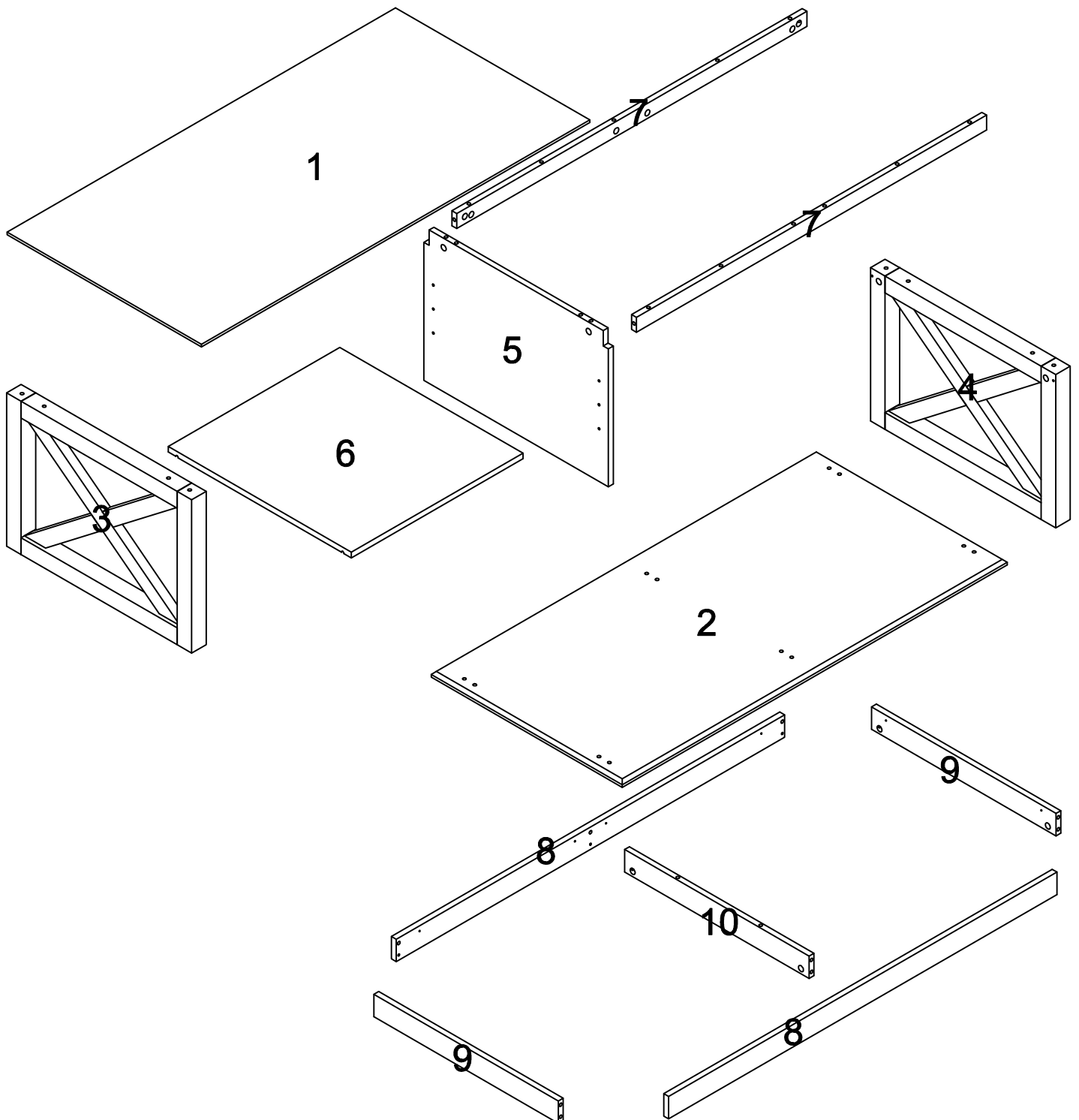
No. J  
Quantity:24Pcs  
Canm Nut  
φ15\*10



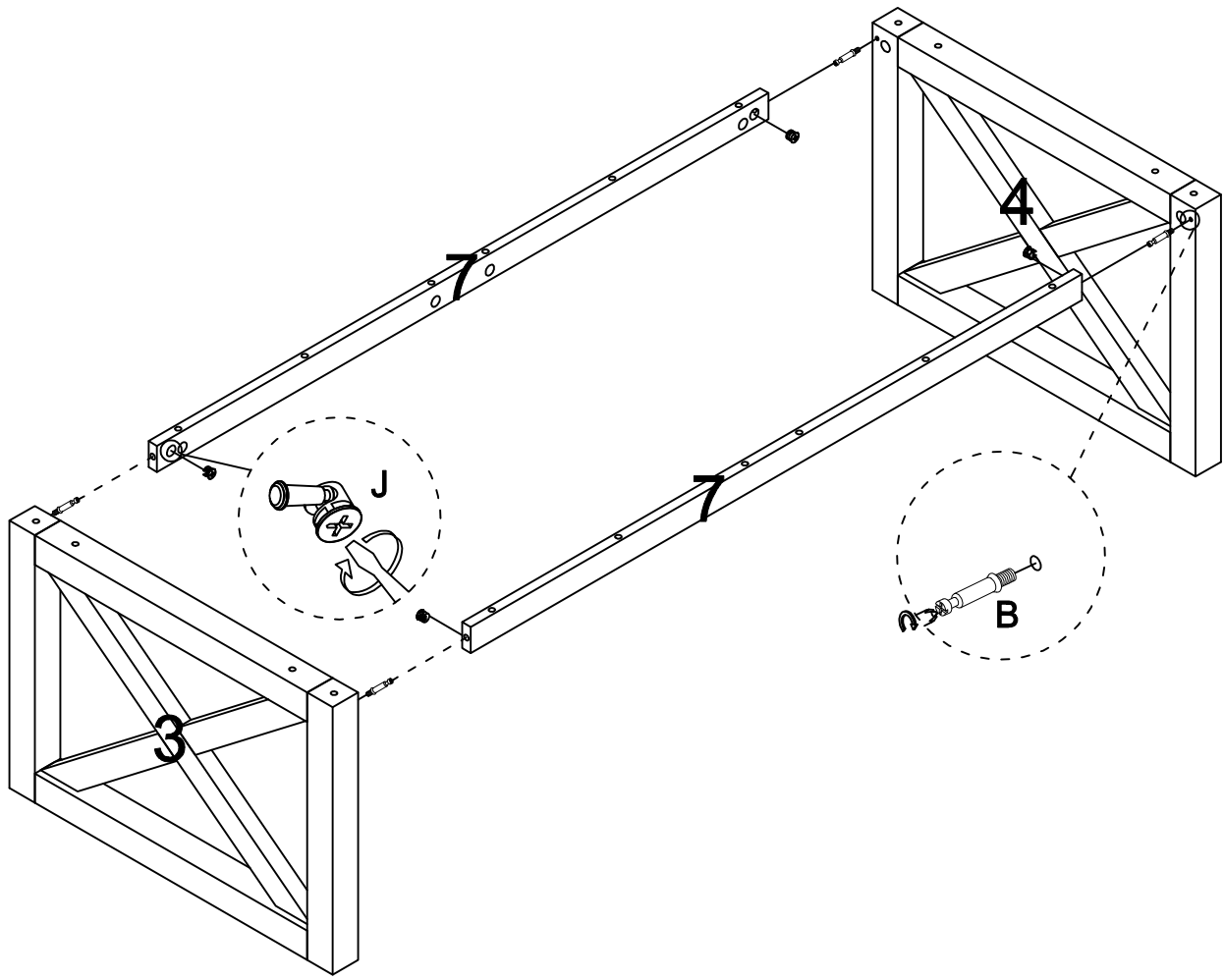
# Component Panels & part List

Please check you have all the panels  
are listed below.

- |                              |                               |
|------------------------------|-------------------------------|
| 1. Top panel _____x1         | 6. Active layer board _____x1 |
| 2. Bottom panel _____x1      | 7. Trim _____x2               |
| 3. Side panel-left _____x1   | 8. Before the water _____x1   |
| 4. Side panel-right _____x1  | 9. Lateral water _____x1      |
| 5. Side panel-middle _____x1 | 10. Mid-side _____x1          |



# STEP 1



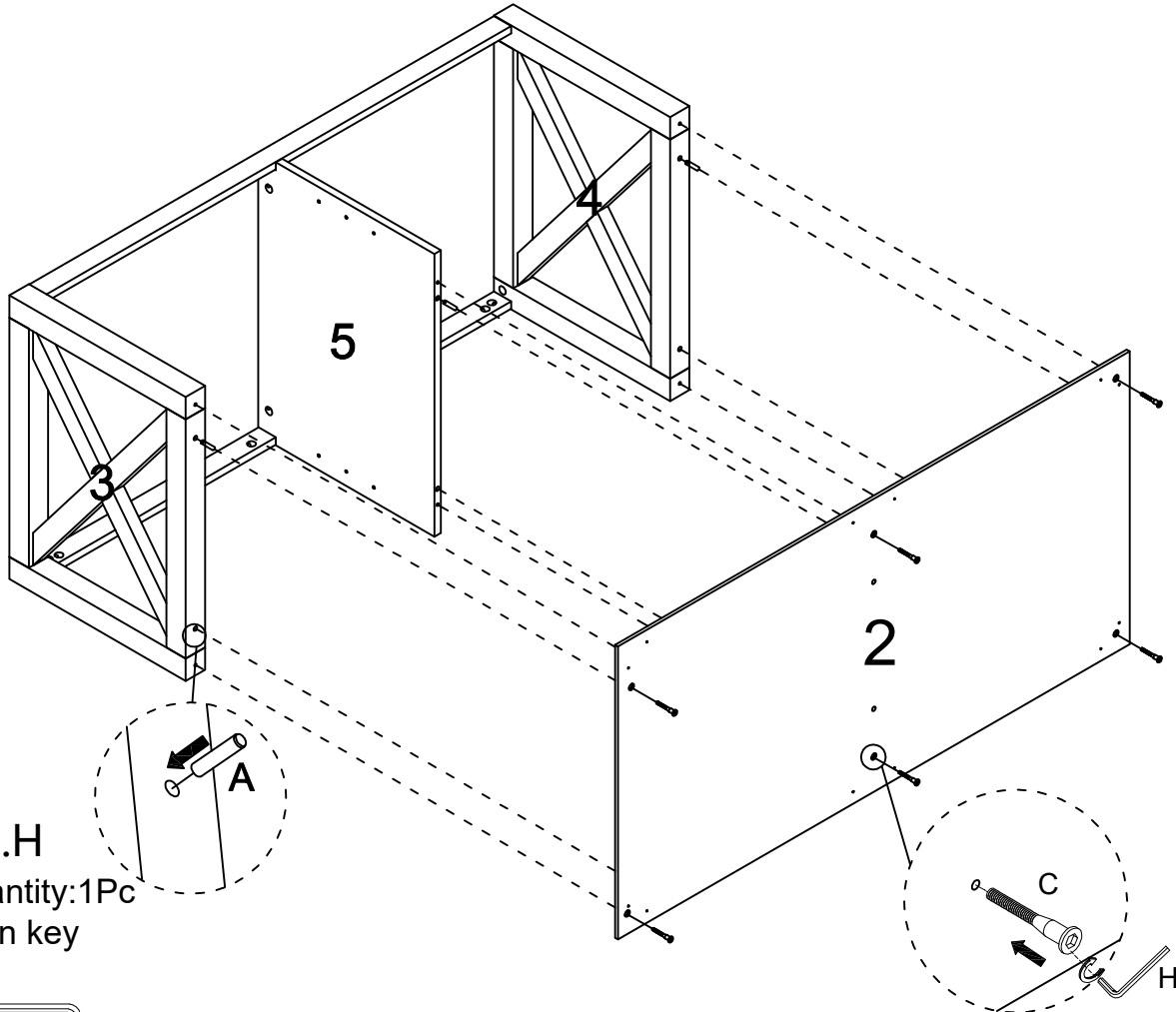
No.J  
Quantity:4Pcs  
Cam Nut  
φ15\*10



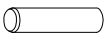
No.B  
Quantity:4Pcs  
Cam Bolt  
φ5\*35



# STEP 2



No.A  
Quantity:6Pcs  
Dowel  
8\*30mm



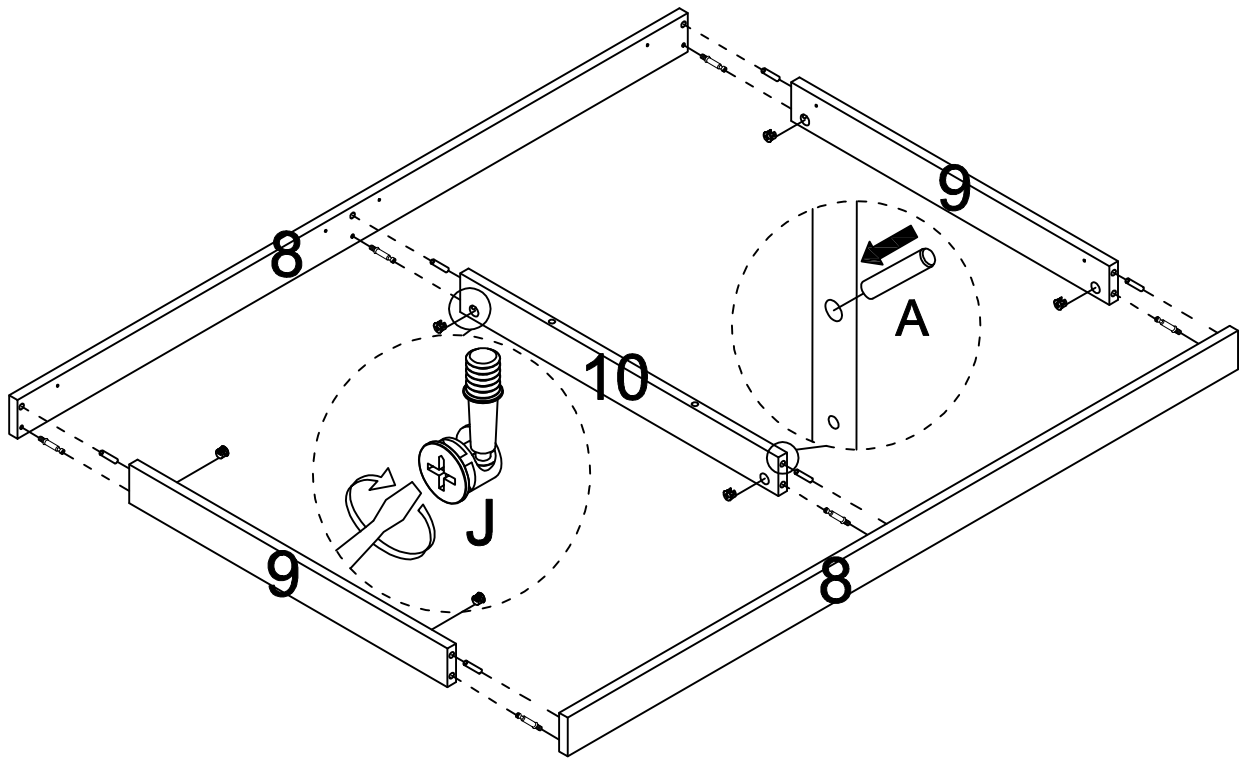
No.C  
Quantity:6Pcs  
Bolt  
M6\*50



No.H  
Quantity:1Pc  
Allen key



### STEP 3



**No.J**  
Quantity:6Pcs  
Cam Nut  
φ15\*10



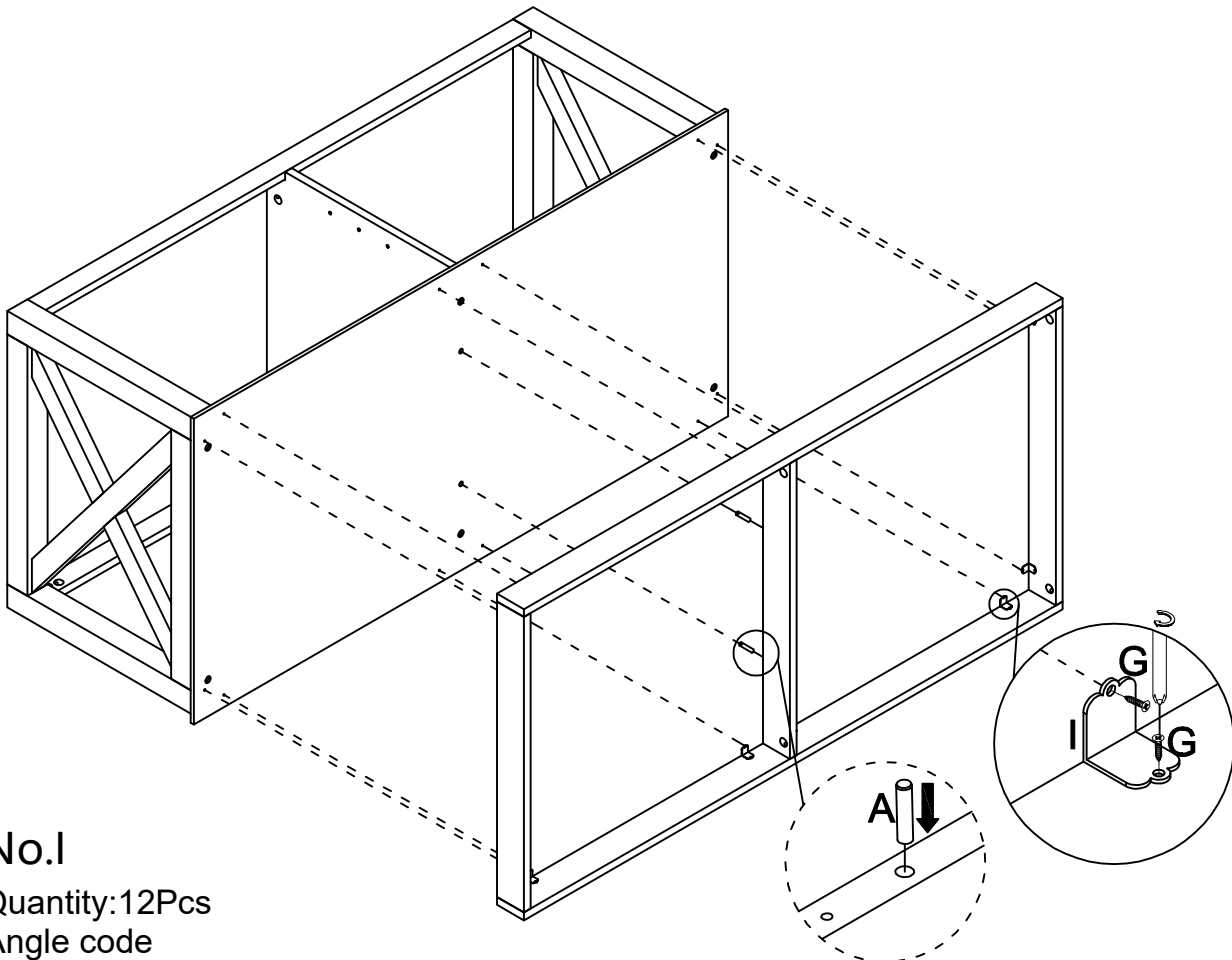
**No.A**  
Quantity:6Pcs  
Dowel  
8\*30mm



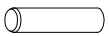
**No.B**  
Quantity:6Pcs  
Cam Bolt  
φ5\*35



### STEP 4



**No.A**  
Quantity:2Pcs  
Dowel  
8\*30mm



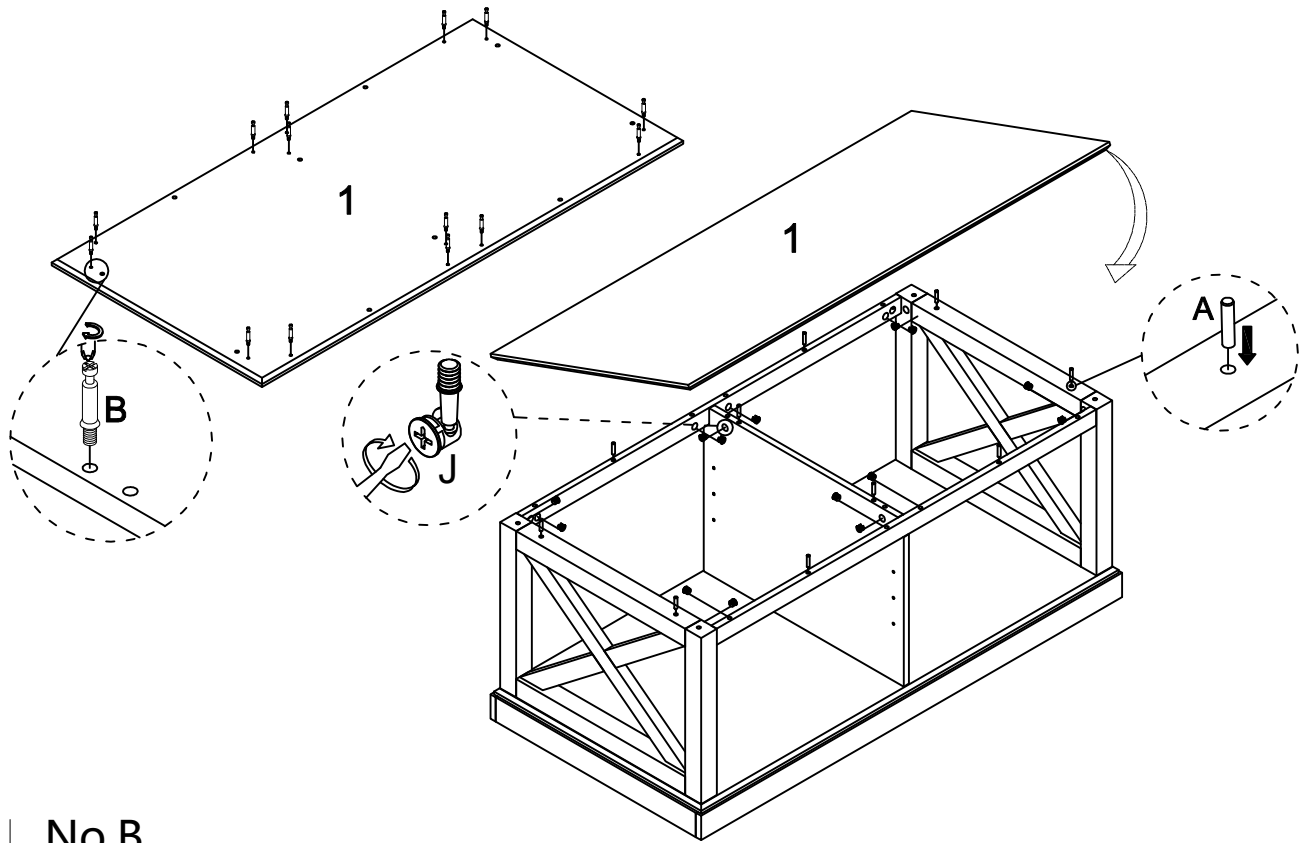
**No.G**  
Quantity:24Pcs  
Screw  
φ3.5\*12



**No.I**  
Quantity:12Pcs  
Angle code



## STEP 5



No.J

Quantity:14Pcs  
Cam Nut  
φ15\*10



No.A

Quantity:10Pcs  
Dowel  
8\*30mm

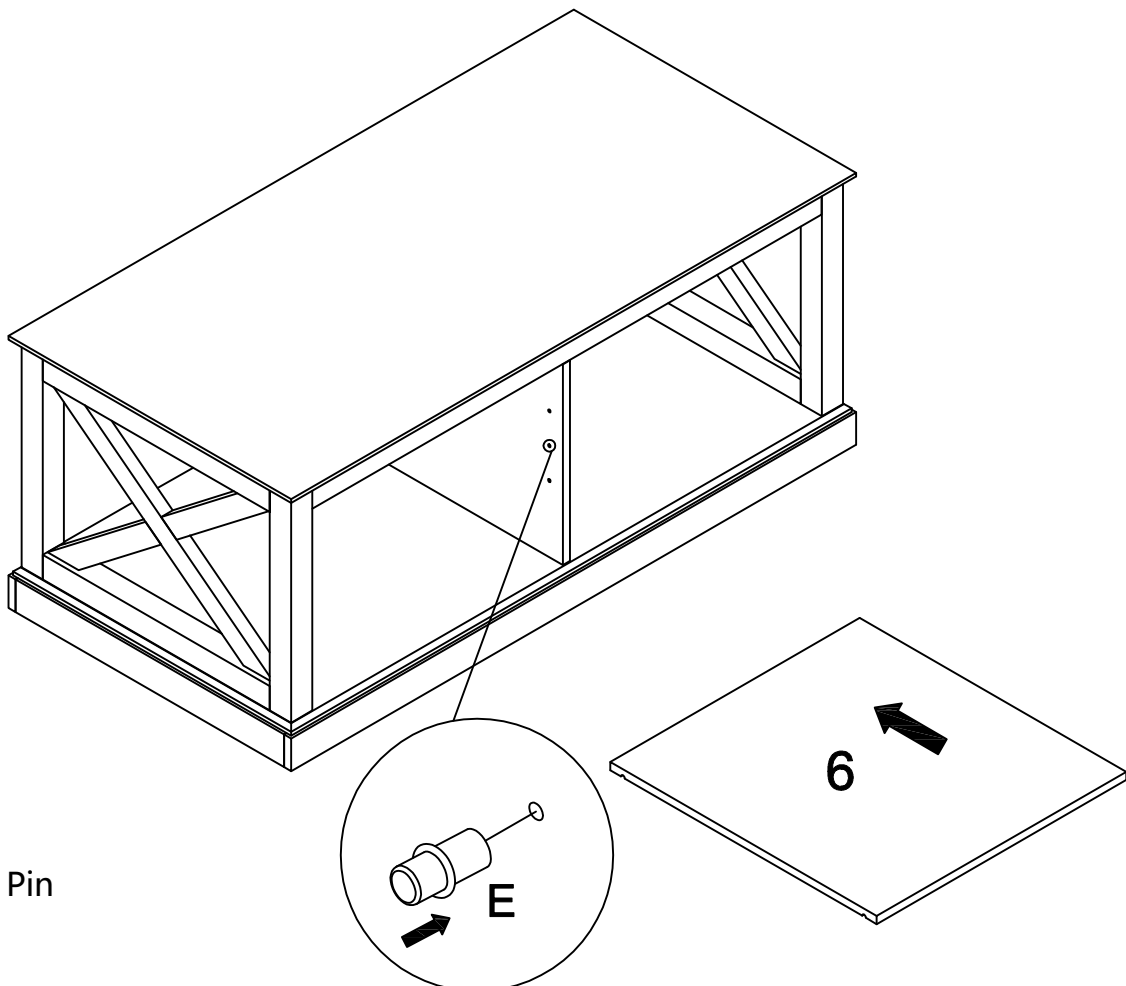


No.B

Quantity:14Pcs  
Cam Bolt  
φ5\*35



## STEP 6



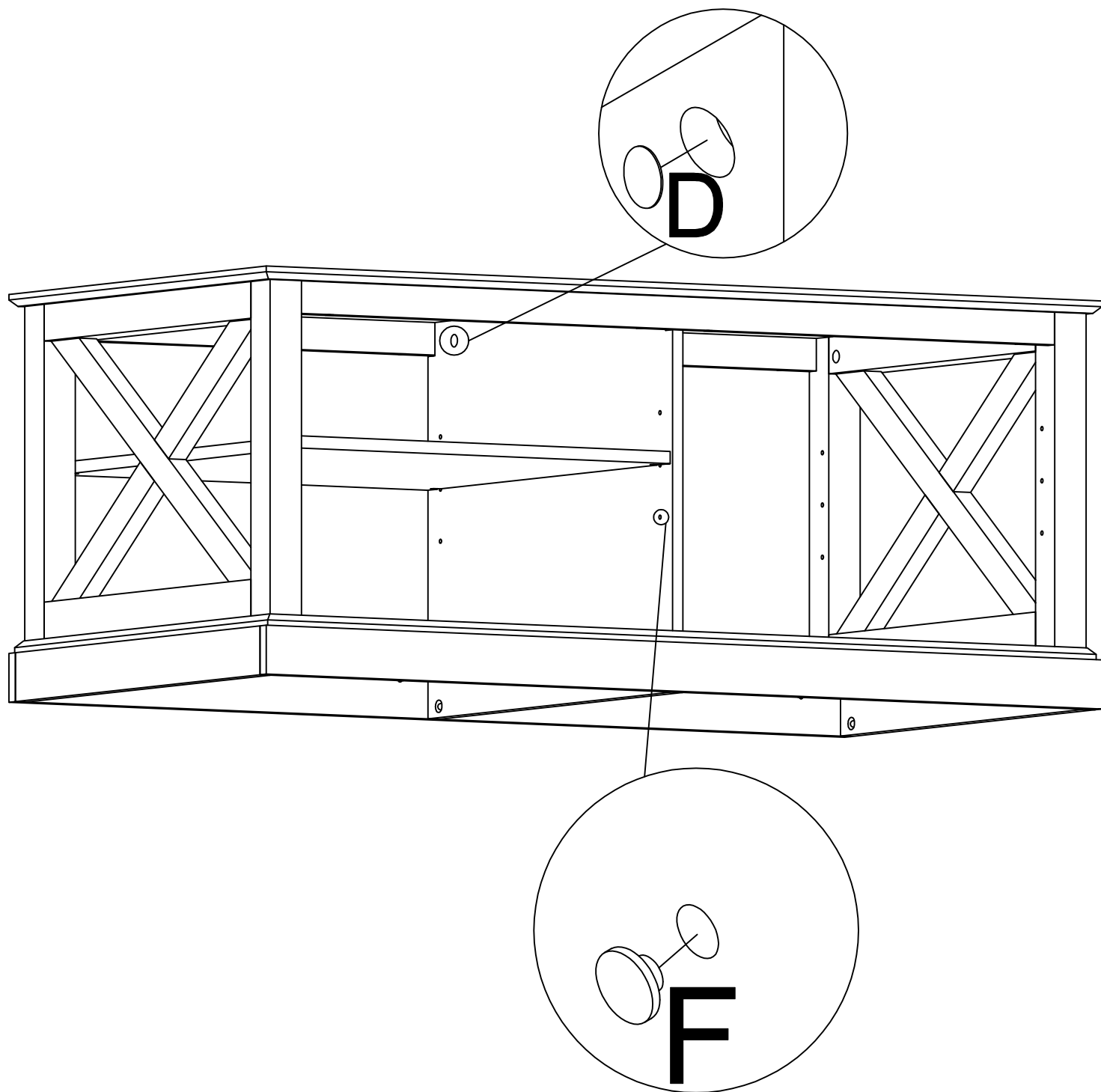
No.E

Quantity:4Pcs  
Shelf Support Pin  
φ5\*17





# STEP 7



No.D

Quantity:24Pcs  
Disc sticker  
φ30



No.F

Quantity:8Pcs  
Plastic cover  
φ8\*6



Great job. You're done!

Don't forget to share how it looks in  
your space and tag us on Instagram.  
@lifelyhome#homewithlifely!