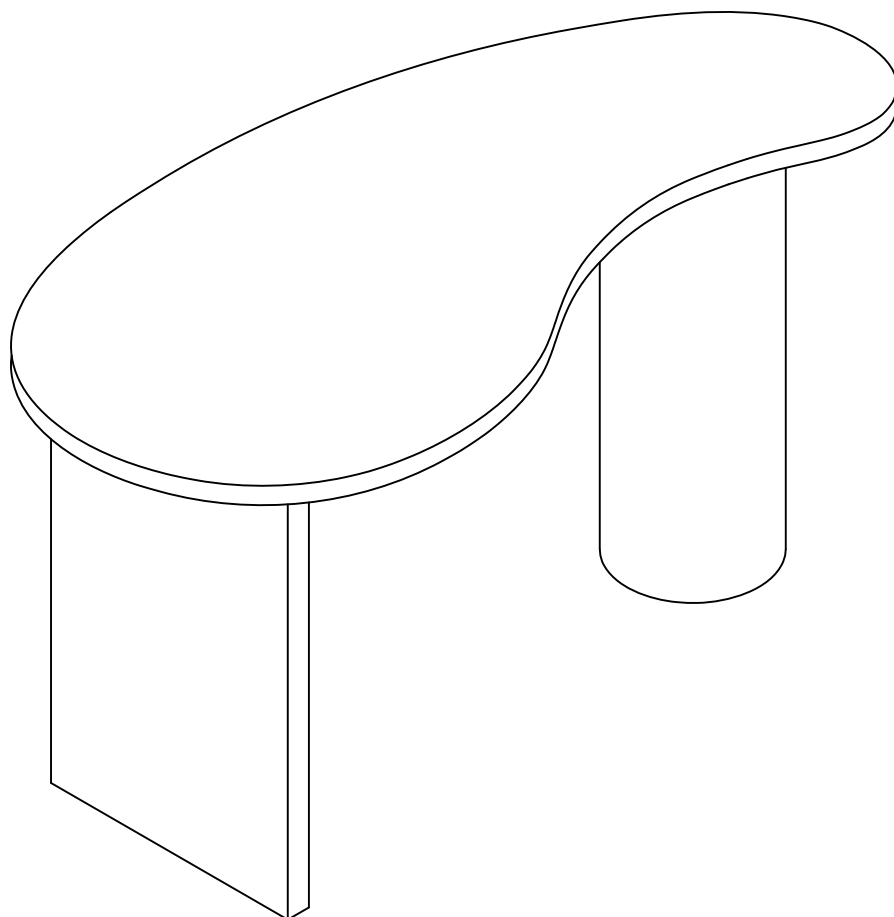


Assembly Instructions

Pebble Series



Lifely*

Product Code

PBLE-D140-WHT Pebble Desk

Dimensions (W x D x H)

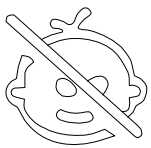
1400*700*750mm

Important

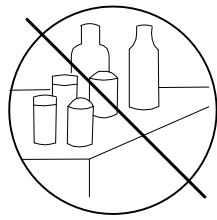
Please read through instruction carefully
Before assembly and keep for future reference.

For our full catalogue of assembly instructions,
Visit: lifely.com.au/assembly.

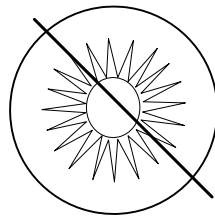
Important Tips and Maintenance



1. Keep children and animals away from working area as smaller parts may cause choking if swallowed.



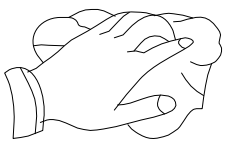
2. Never place liquids or anything damp upon furniture as it will mark. Ensure a coaster or running is beneath.



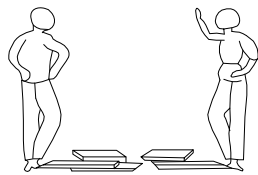
3. Never use ammonia based cleaning products as it will damage the finish.



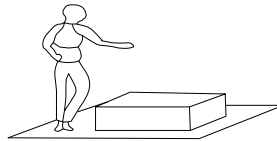
4. To avoid fading, keep furniture out of direct sunlight.



5. Use a soft or damp cloth (dry cloth) when wiping or cleaning surfaces.



6. Two person are required.



7. Lay a soft matt down to protect the furniture piece before and during assembly.

So your relationship is strong. But is it flat-pack furniture strong? Unless you're an aerospace engineer, assembling furniture can be slightly stressful. We recommend meditating quietly, pouring yourself a herbal tea (or slightly less herbal wine) and tackling things one step at a time. If you feel a passive aggressive remark coming on, try a compliment instead. E.g. "You're so good looking."

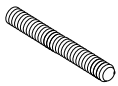
This 5-step assembly should take around 30 minutes with an Allen key - or 20 minutes with an electric drill.

Designed for everyday

Component Hardware

Please check you have all the fittings
part or tools are listed in below.

No. A
Quantity:2 Pcs
Screw Bolt
M8*70mm



No. B
Quantity:2 Pcs
Nut
M8



No. C
Quantity:2 PCS
Half Fasten
Φ 8mm



No. D
Quantity:2 Pcs
Cover
Φ 50mm



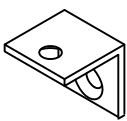
No. E
Quantity:3 Pcs
Metal Support



No. F
Quantity:2Pcs
Wood Dowel
Ø10*40mm



No. G
Quantity:4 Pcs
Angle Iron



No. H
Quantity:20 Pcs
Screw
M6*18mm



No. I
Quantity:10Pcs
Cover
Φ 20mm



No. J
Quantity:6Pcs
EVA Pad
Φ 25mm



No. K
Quantity:1 Pc
Key
4mm



No. L
Quantity:1 Pair
Gloves



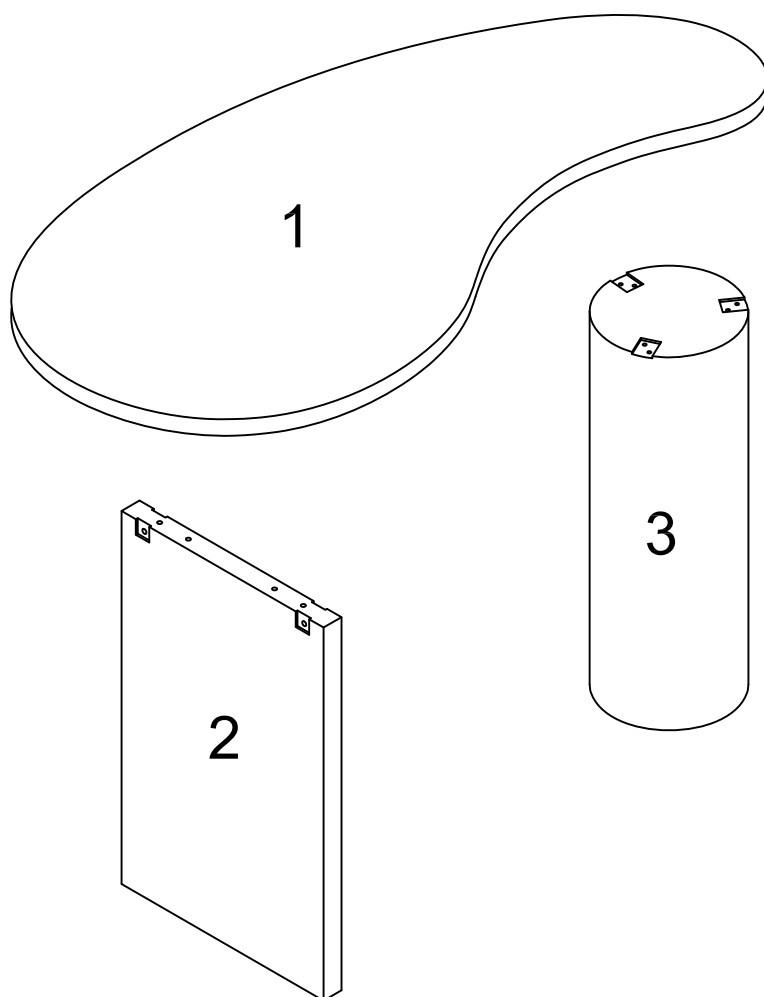
No. M
Quantity:1 Pc
Spanner
14mm



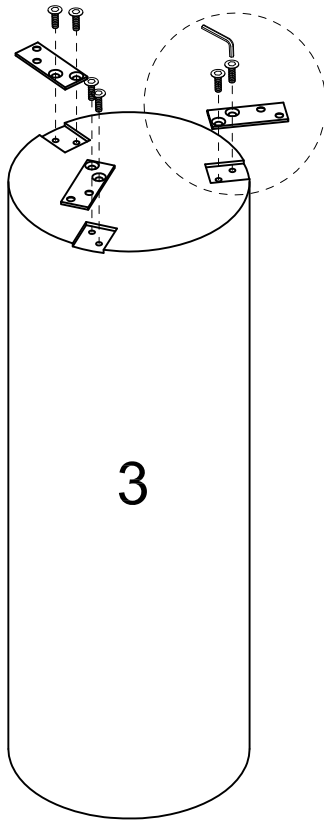
Component Panels & part List

Please check you have all the panels
are listed below.

1. Top Panel-----x1 CTN 1/2
2. Sideboard-Left-----x1 CTN 1/2
3. Column-Right-----x1 CTN 2/2



STEP 1



Please notice the part " E " should be screwed by following the direction as the drawing shows.
the side stick the letter "E" should be upside when assemble the part "E".

No. H
Quantity:6 Pcs



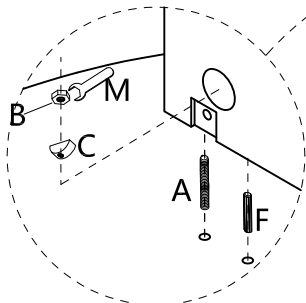
No. K
Quantity:1 Pc



No. E
Quantity:3 Pcs



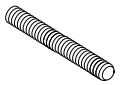
STEP 2



No. B
Quantity:2 Pcs



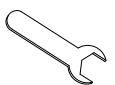
No. A
Quantity:2 Pcs



No. F
Quantity:2Pcs



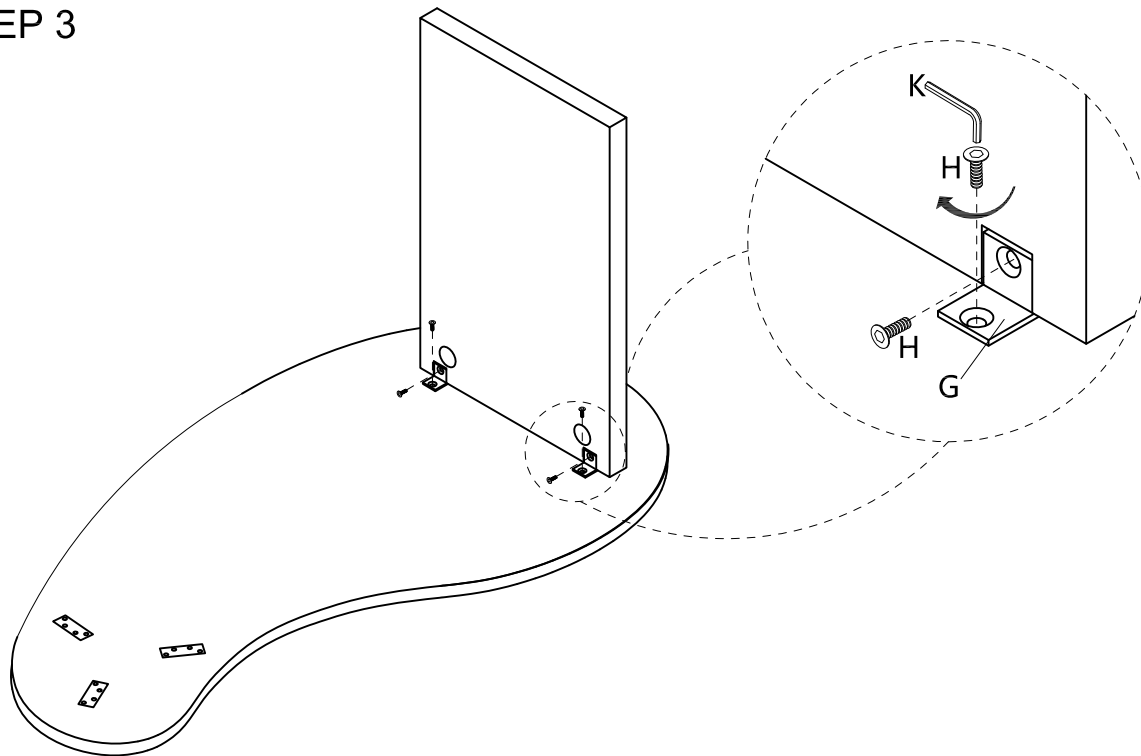
No. M
Quantity:1 Pcs



No. C
Quantity:2 PCS
Half Fasten



STEP 3



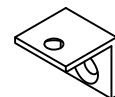
No. H
Quantity:8 Pcs



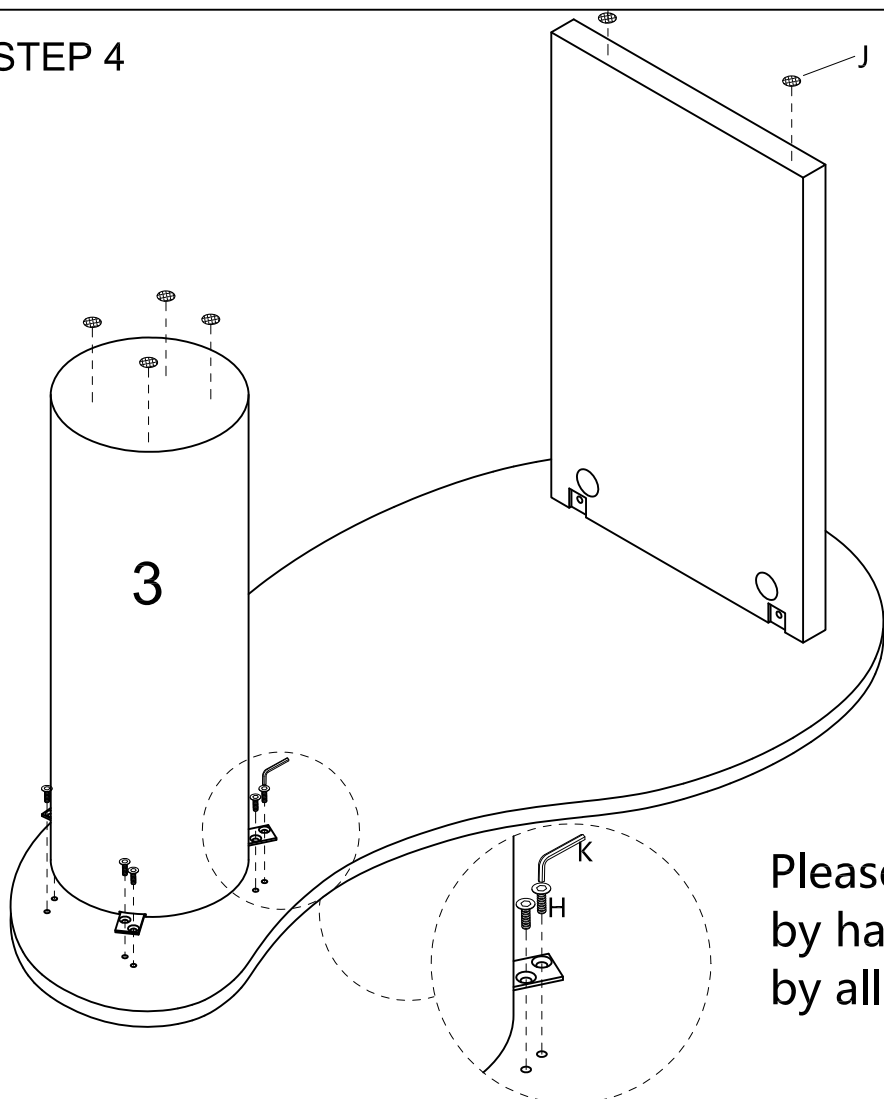
No. K
Quantity:1 Pc



No. G
Quantity:4 Pcs



STEP 4



No. J
Quantity:6Pcs



No. K
Quantity:1 Pc

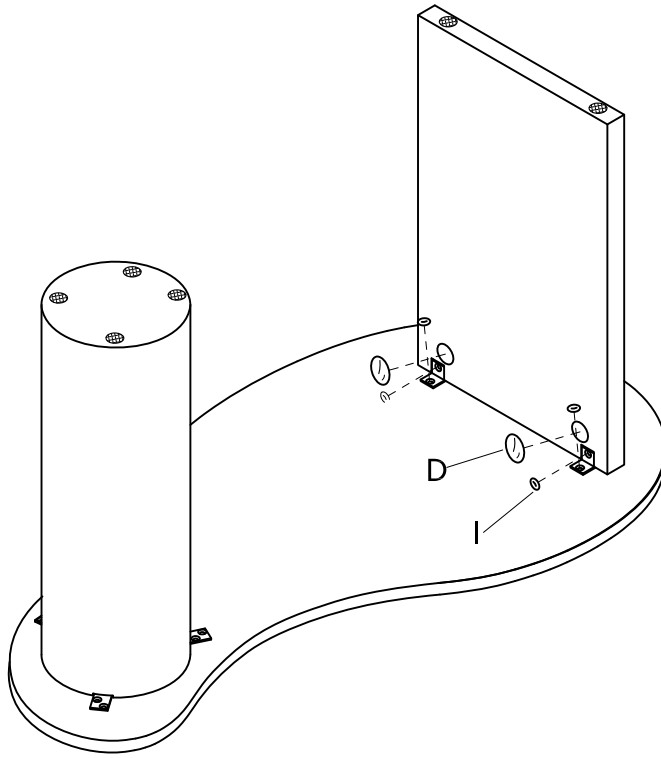


No. H
Quantity:6 Pcs



Please tighten all the screw "H" by hand first, then tighten fully by allen key.

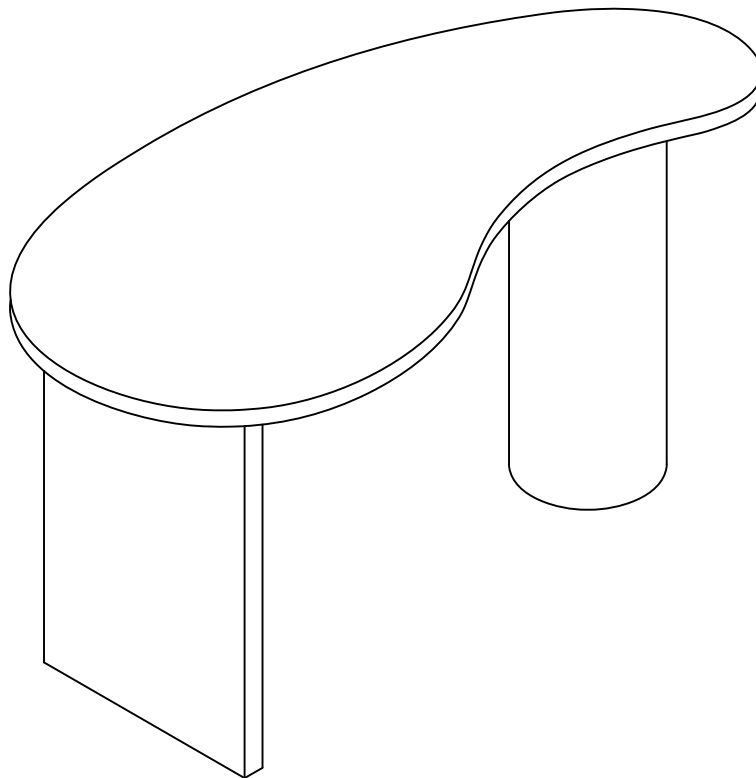
STEP 5



No. I
Quantity: 10Pcs



No. D
Quantity: 2 Pcs



Great job. You're done!

Don't forget to share how it looks in
your space and tag us on Instagram.

@lifelyhome #homewithlifely!