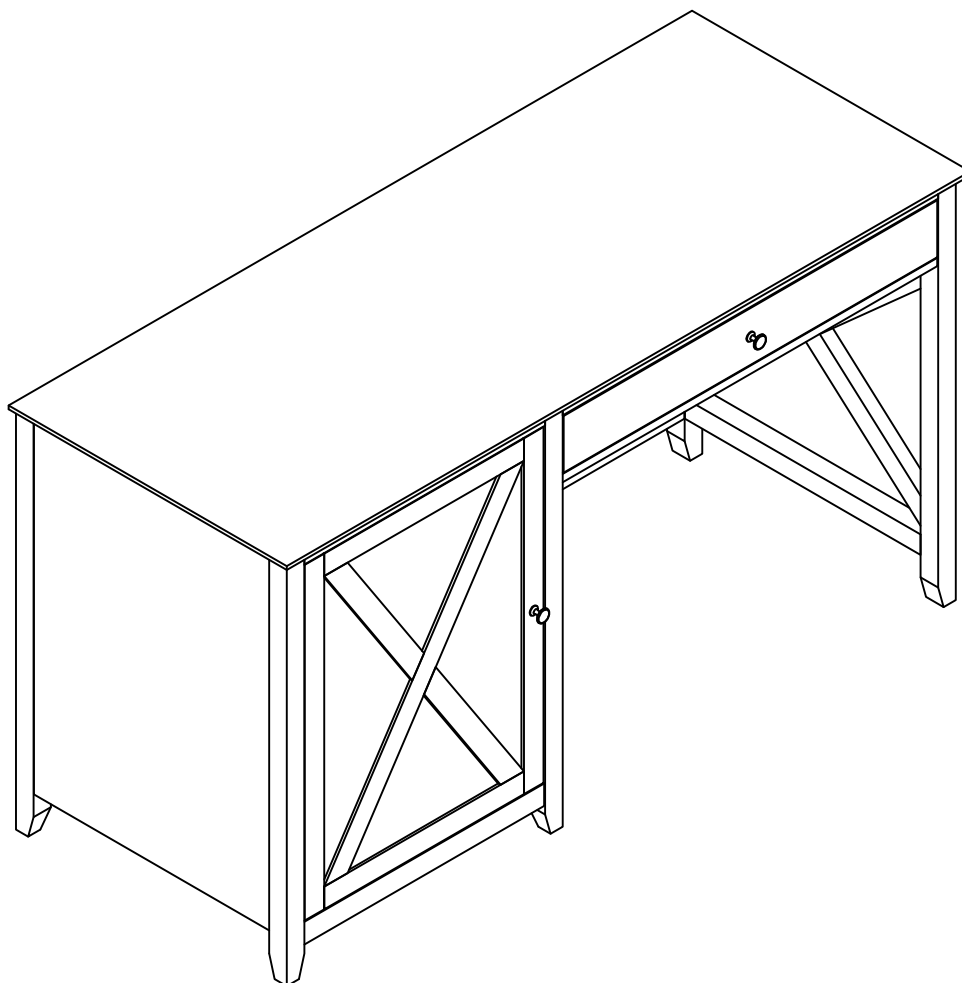


Assembly Instructions

Coria Series



Lifely*

Product Code

CORA-D140 Coria Desk

Dimensions(W x D x H)

1400*570*760mm

Important

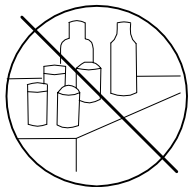
Please read through instruction carefully
Before assembly and keep for future reference.

For our full catalogue of assembly instructions,
Visit: lifely.com.au/assembly.

Important Tips and Maintenance



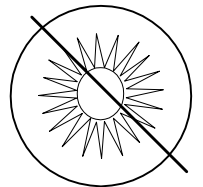
1. Keep children and animals away from working area as smaller parts may cause choking if swallowed.



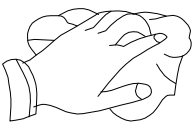
2. Never place liquids or anything damp upon furniture as it will mark. Ensure a coaster or running is beneath.



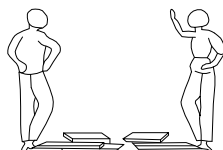
3. Never use ammonia based cleaning products as it will damage the finish.



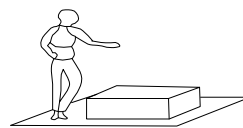
4. To avoid fading, keep furniture out of direct sunlight.



5. Use a soft or damp cloth (dry cloth) when wiping or cleaning surfaces.



6. Two person are required.



7. Lay a soft matt down to protect the furniture piece before and during assembly.

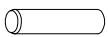
So your relationship is strong. But is it flat-pack furniture strong? Unless you're an aerospace engineer, assembling furniture can be slightly stressful. We recommend meditating quietly, pouring yourself a herbal tea (or slightly less herbal wine) and tackling things one step at a time. If you feel a passive aggressive remark coming on, try a compliment instead. E.g. "You're so good looking".

This 16-step assembly should take around 40 minutes with an Allen key – or 30 minutes with an electric drill. Godspeed.

Component Hardware

Please check you have all the fittings
part or tools are listed in below.

No. A
Quantity:30Pcs
Dowel
8*30mm



No.B
Quantity:49Pcs
Cam Bolt+Canm Nut



No. C
Quantity:5Pcs
Screw
Ø4*32



No. D
Quantity:49Pcs
Disc sticker
φ30



No. E
Quantity:4Pcs
Shelf Support Pin
φ5*17



No. F
Quantity:1set
Slider



No. G
Quantity:8Pcs
Plastic Corner Block



No.H
Quantity:8Pcs
Screw
3*17



No. I
Quantity:12Pcs
Screw
3*14



No. J
Quantity:12Pcs
Screw
3*12



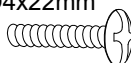
No. K
Quantity:5Pcs
Screw
Ø4*25



No. L
Quantity:2Pcs
handle



No. M
Quantity:2Pcs
Screw
Ø4x22mm



No. N
Quantity:2Pcs
Hinges



No. O
Quantity:8Pcs
Plastic cover
φ8*6

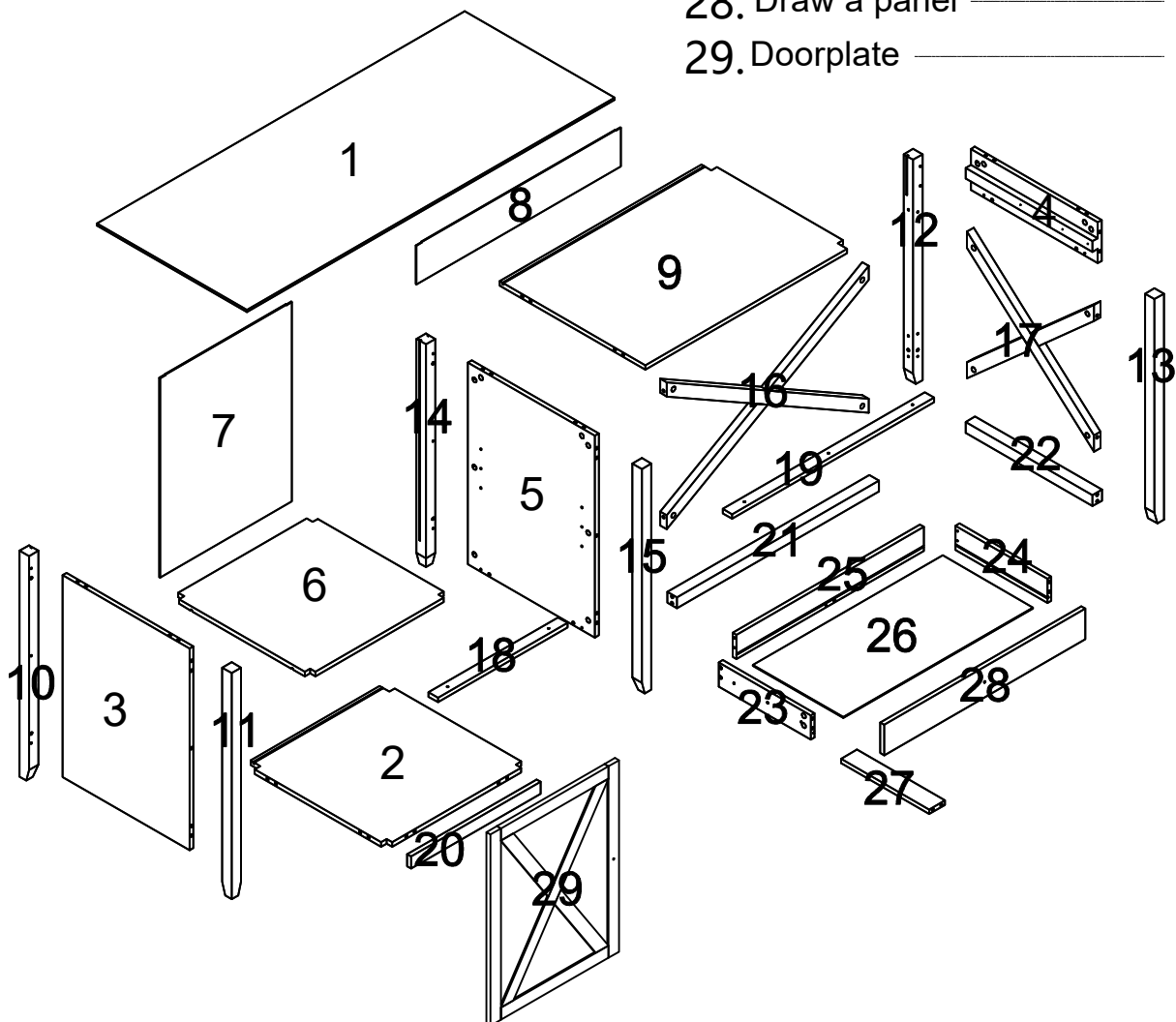


drawer rail F in carton 2, others hardware in carton 1.

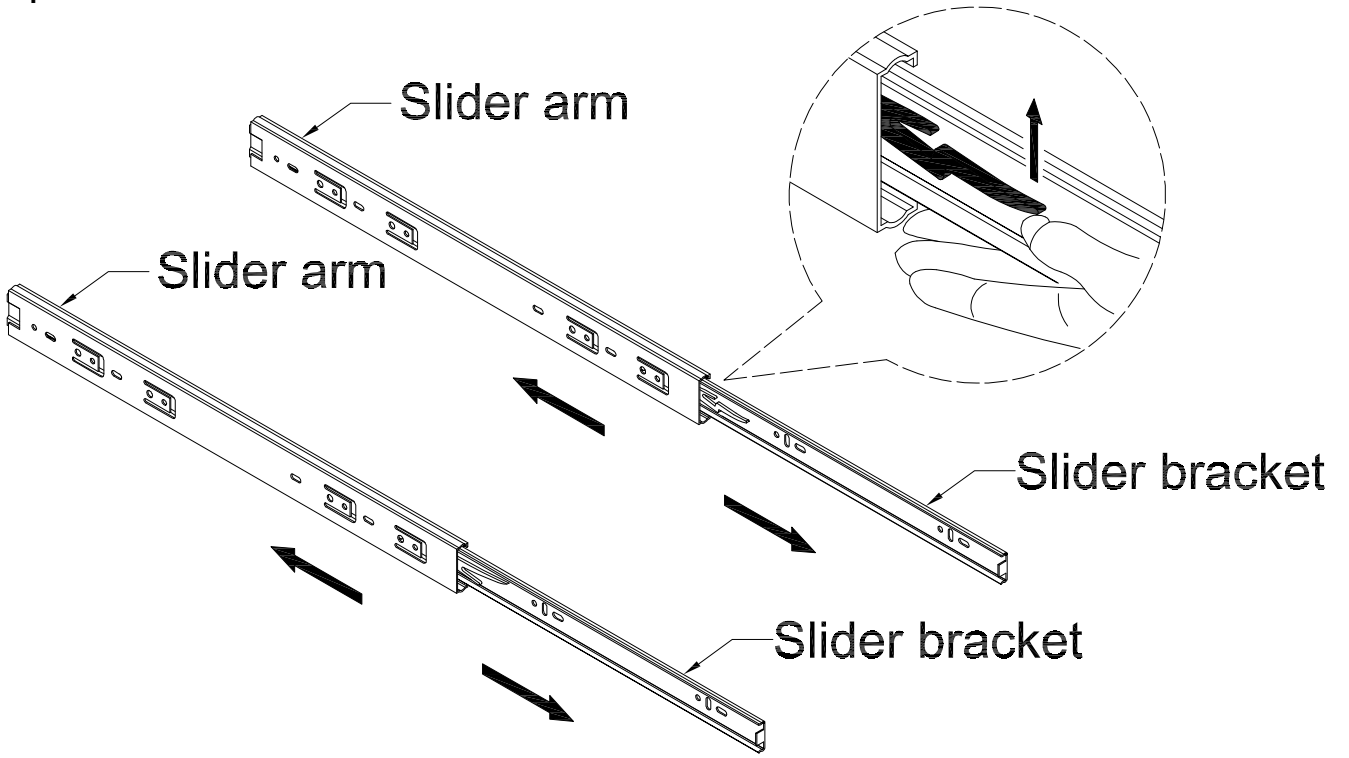
Component Panels & part List

Please check you have all the panels are listed below.

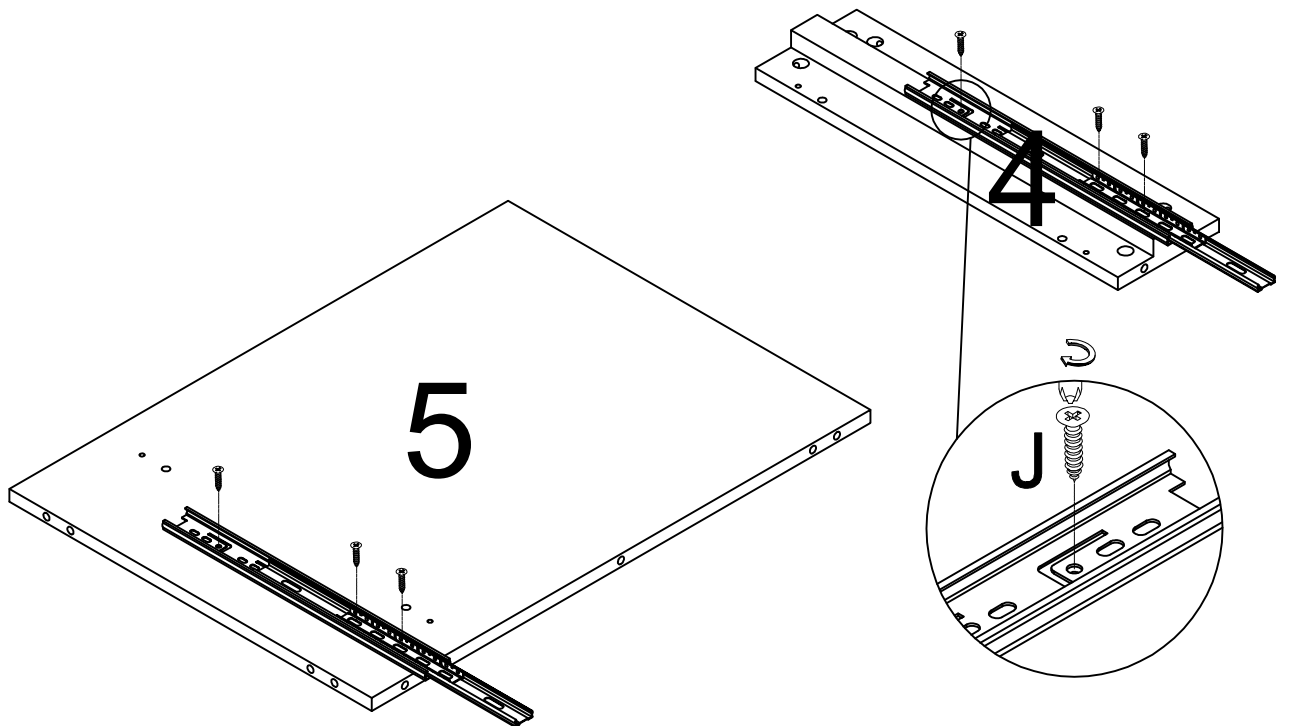
- | | | | | | |
|----------------------|-------|-----------|-------------------------------|-------|-----------|
| 1. Top panel | _____ | x1 Ctn2/2 | 13. Leg pillars | _____ | x1 Ctn1/2 |
| 2. Bottom panel | _____ | x1 Ctn2/2 | 14. Leg pillars | _____ | x1 Ctn1/2 |
| 3. Side panel-left | _____ | x1 Ctn1/2 | 15. Leg pillars | _____ | x1 Ctn1/2 |
| 4. Side panel-right | _____ | x1 Ctn1/2 | 16. Crossed column | _____ | x1 Ctn2/2 |
| 5. Side panel-middle | _____ | x1 Ctn1/2 | 17. Crossed column | _____ | x1 Ctn2/2 |
| 6. Corss shelf | _____ | x1 Ctn2/2 | 18. Left decorative strip | _____ | x1 Ctn2/2 |
| 7. Back panel | _____ | x1 Ctn2/2 | 19. Right decorative bar | _____ | x1 Ctn1/2 |
| 8. Back panel | _____ | x1 Ctn2/2 | 20. Lower left standing water | _____ | x1 Ctn2/2 |
| 9. Right upper layer | _____ | x1 Ctn1/2 | 21. zipper | _____ | x1 Ctn1/2 |
| 10. Leg pillars | _____ | x1 Ctn1/2 | 22. zipper | _____ | x1 Ctn1/2 |
| 11. Leg pillars | _____ | x1 Ctn1/2 | 23. Left side panel | _____ | x1 Ctn2/2 |
| 12. Leg pillars | _____ | x1 Ctn1/2 | 24. Right side panel | _____ | x1 Ctn2/2 |
| | | | 25. Tail plate | _____ | x1 Ctn2/2 |
| | | | 26. Draw bottom plate | _____ | x1 Ctn2/2 |
| | | | 27. Bottom strip | _____ | x1 Ctn2/2 |
| | | | 28. Draw a panel | _____ | x1 Ctn1/2 |
| | | | 29. Doorplate | _____ | x1 Ctn2/2 |



STEP 1



STEP 2



No.J
Quantity:6Pcs
Screw
φ3*12



No.F
Quantity:1set
Slider



STEP 3

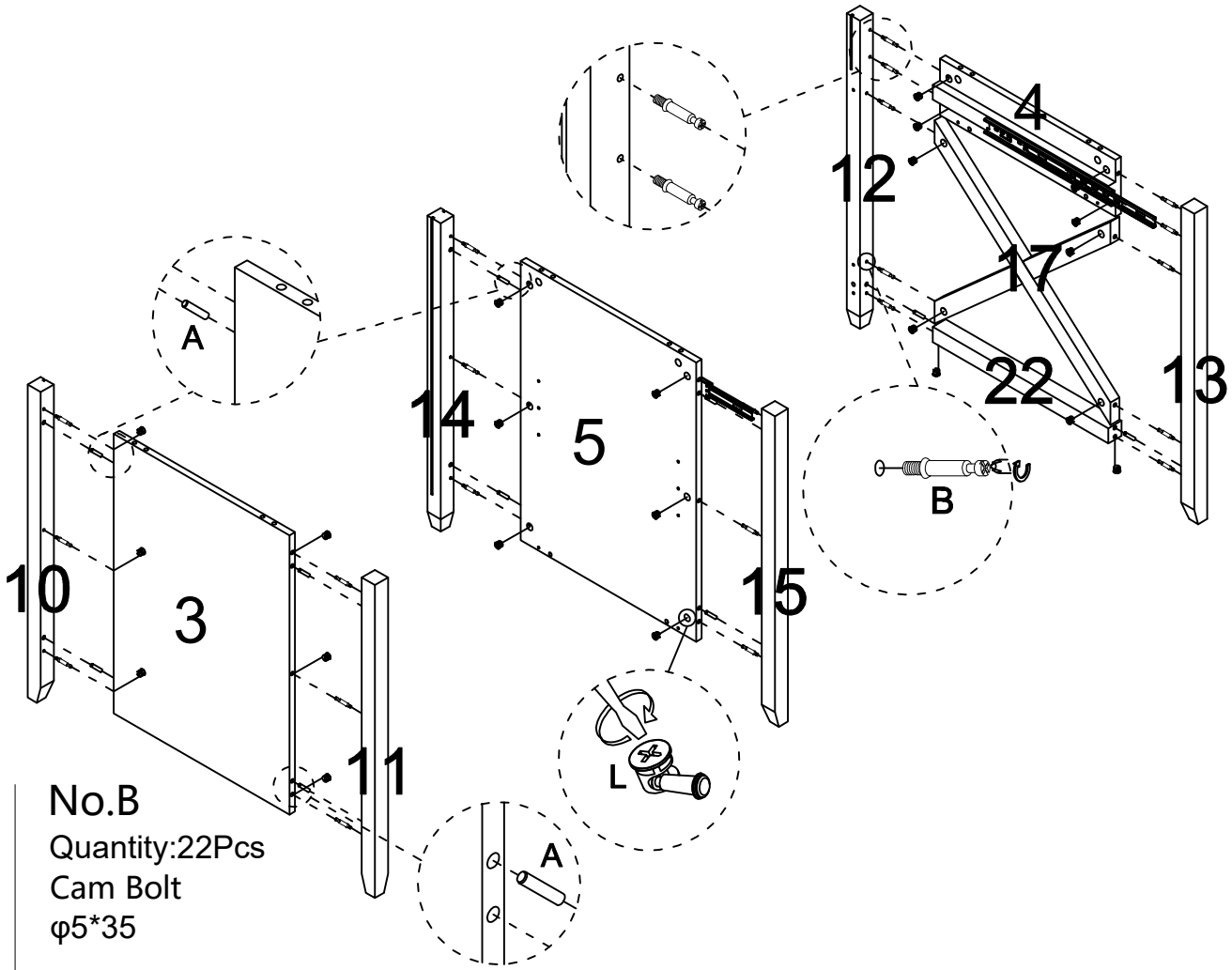
No.B
Quantity:22Pcs
Cam Nut
φ15*10



No.A
Quantity:10Pcs
Dowel
8*30mm



No.B
Quantity:22Pcs
Cam Bolt
φ5*35



STEP 4

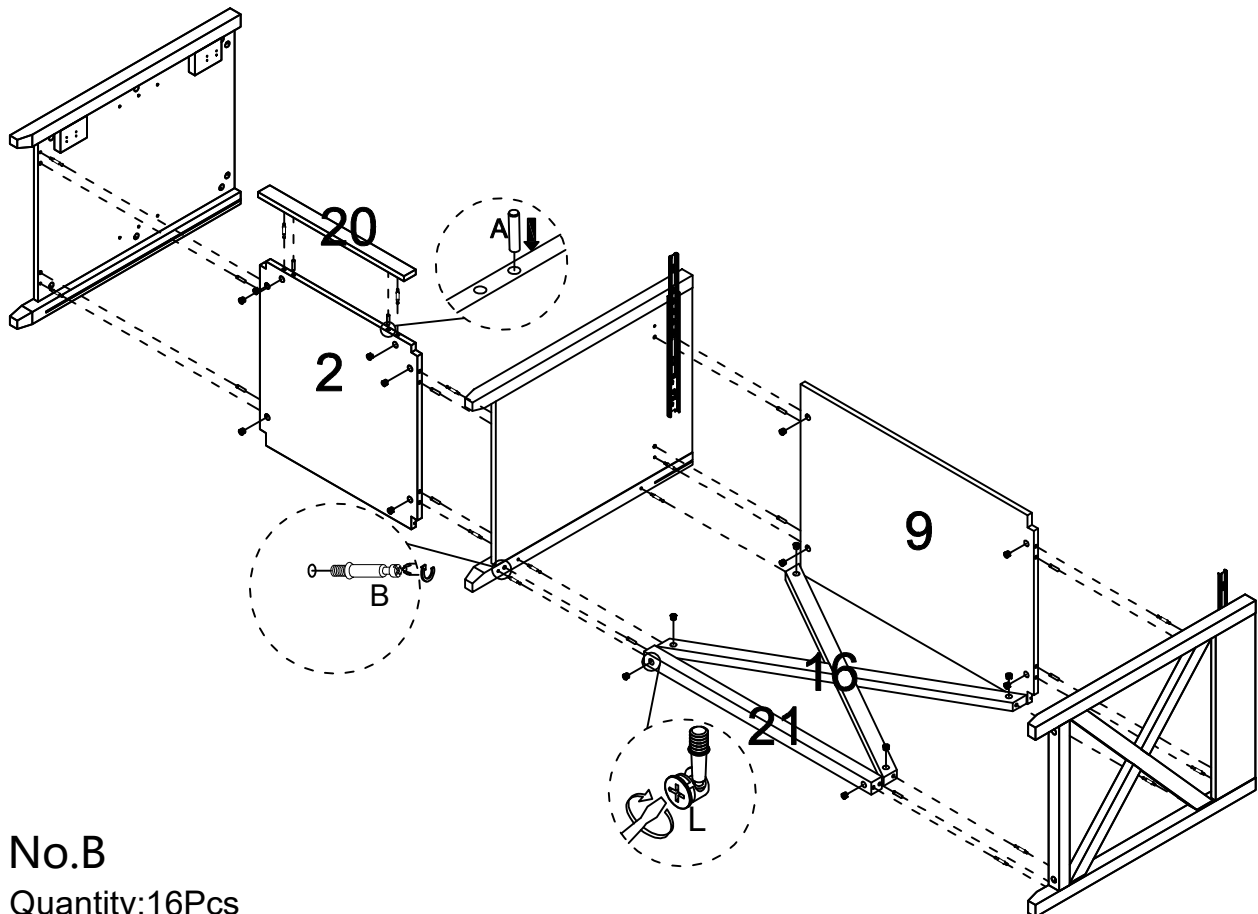
No.B
Quantity:16Pcs
Cam Nut
φ15*10



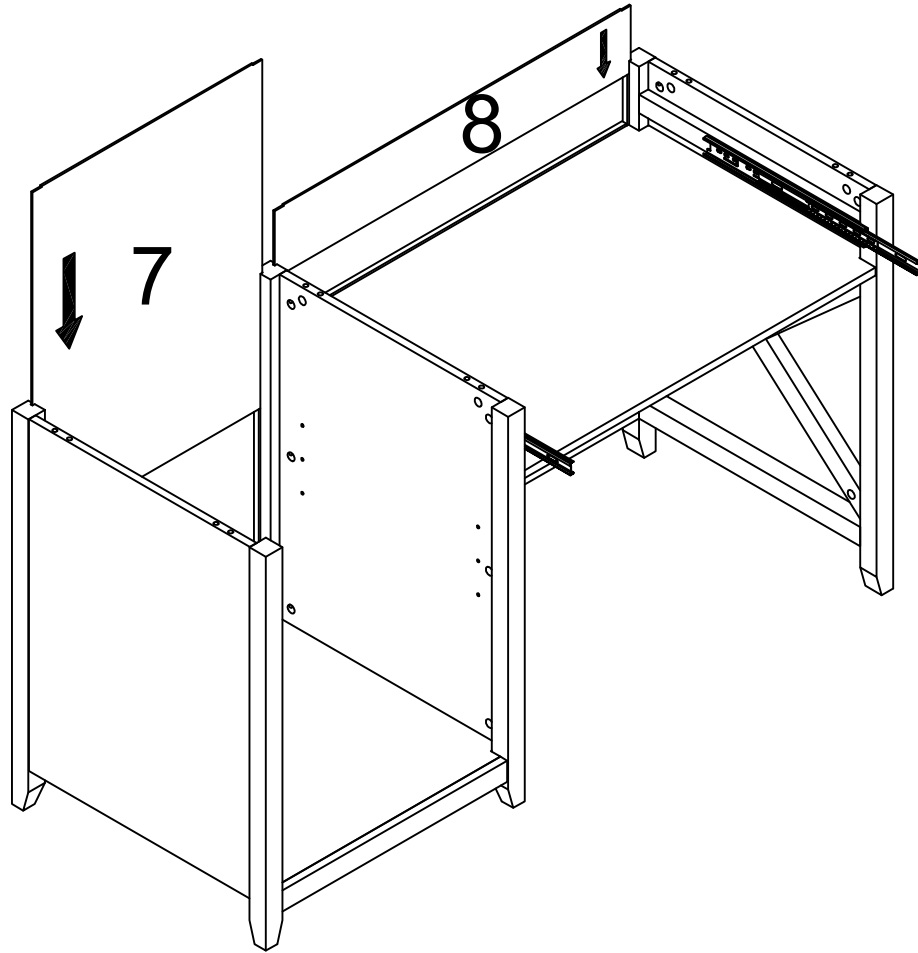
No.A
Quantity:12Pcs
Dowel
8*30mm



No.B
Quantity:16Pcs
Cam Bolt
φ5*35



STEP 5



STEP 6

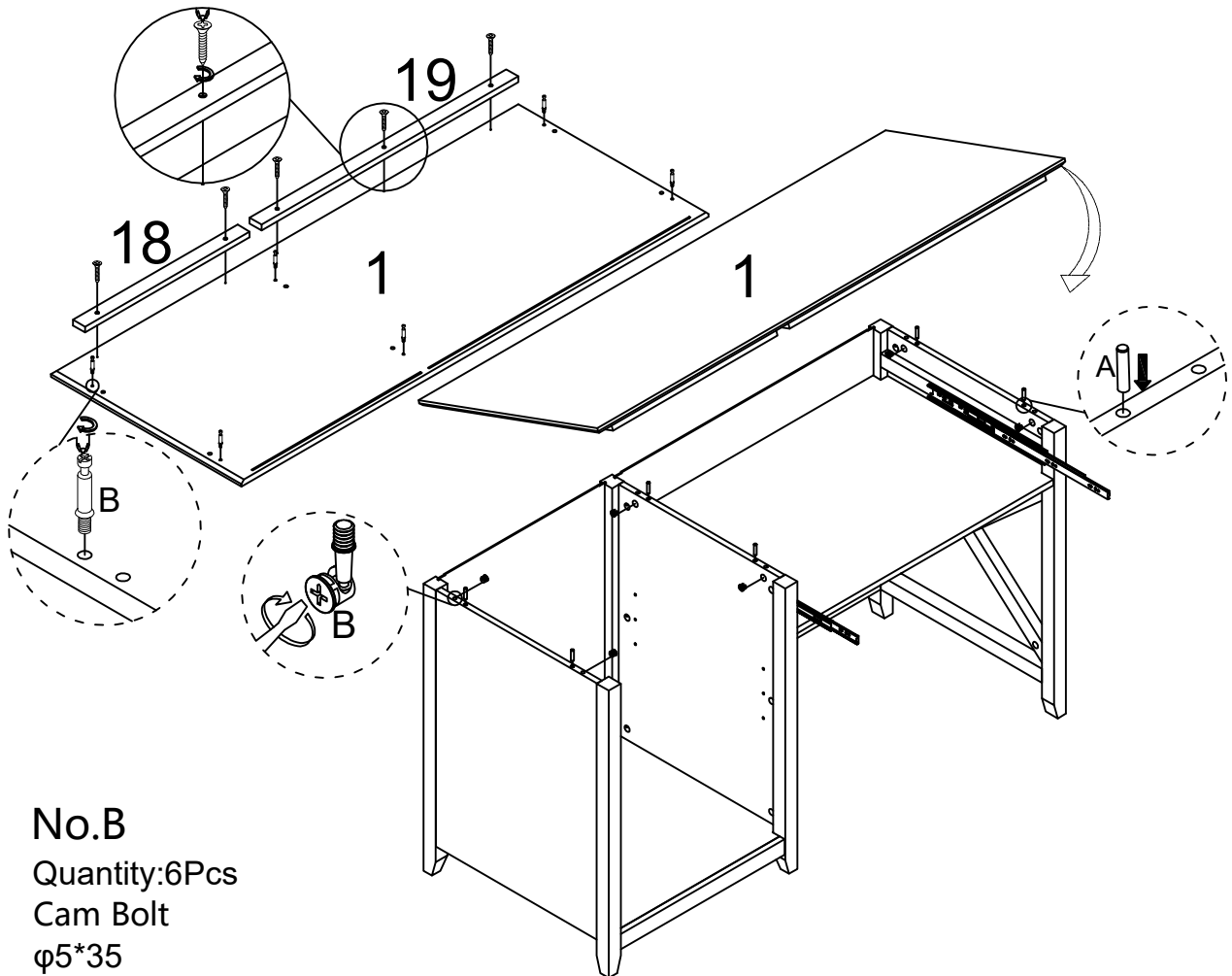
No.K
Quantity:5Pcs
Screw
Ø4*25



No.B
Quantity:6Pcs
Cam Nut
φ15*10



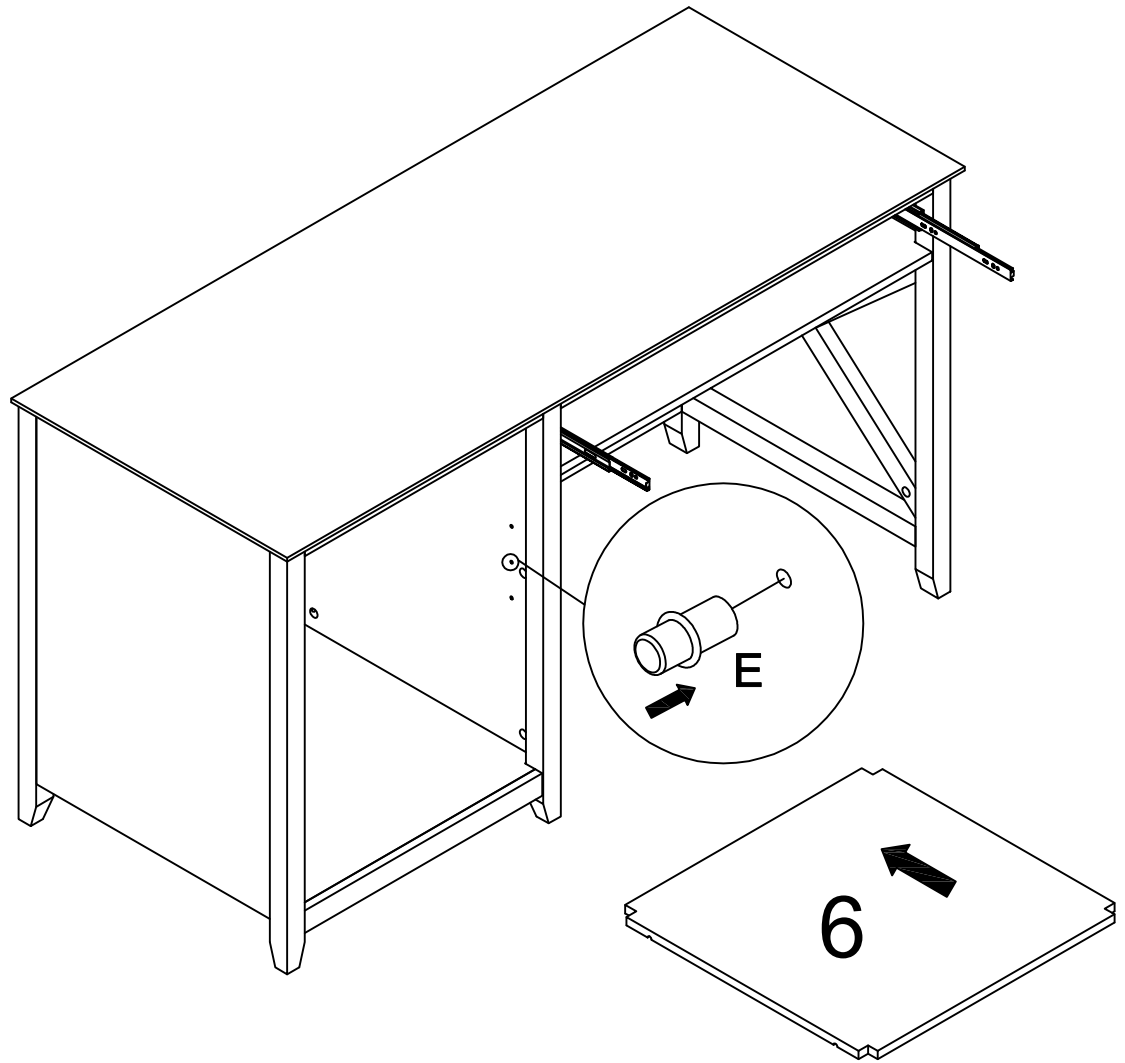
No.A
Quantity:6Pcs
Dowel
8*30mm



No.B
Quantity:6Pcs
Cam Bolt
φ5*35



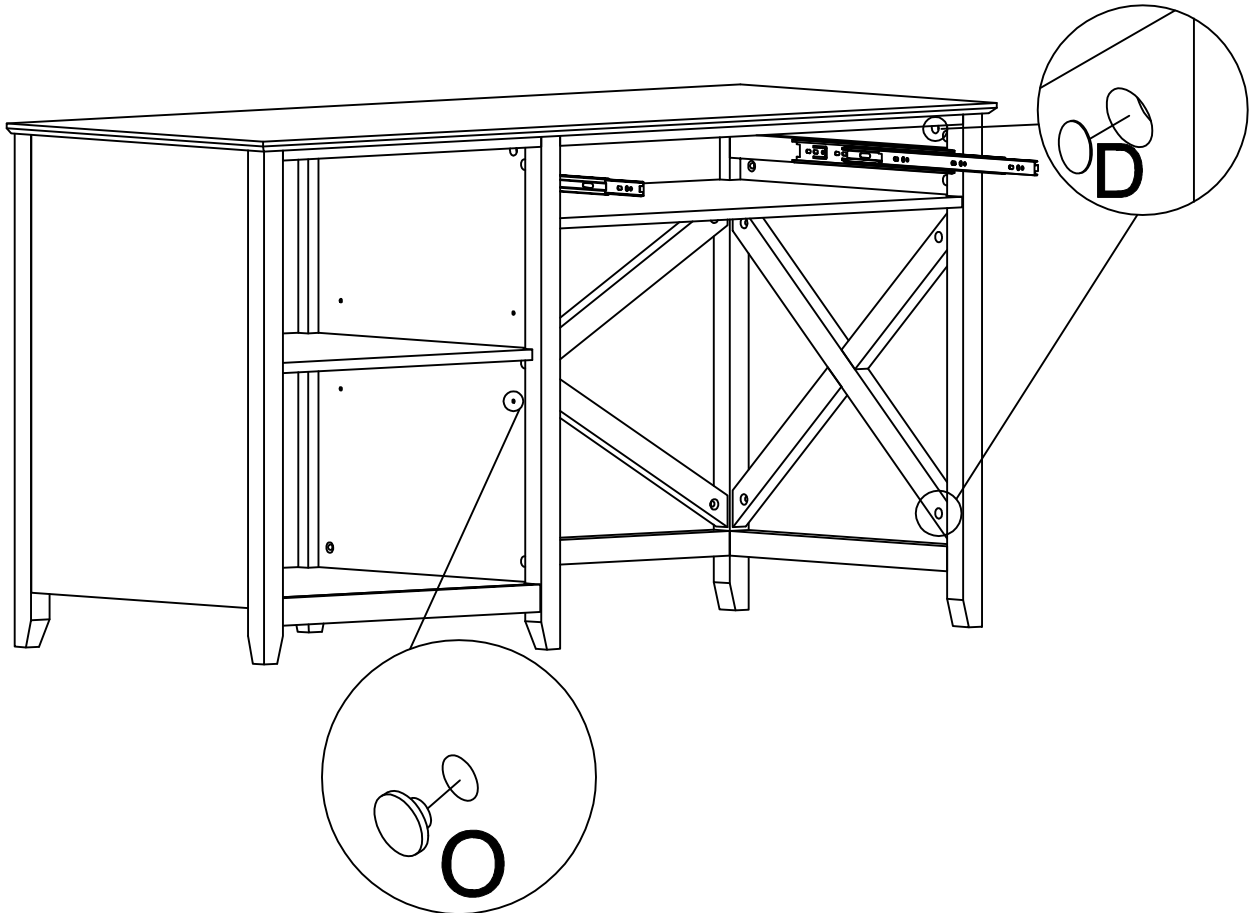
STEP 7



No.E
Quantity:4Pcs
Shelf Support Pin
φ5*17



STEP 8



No.O
Quantity:8Pcs
Plastic cover
φ8*6



No.D
Quantity:44Pcs
Disc sticker
φ30



STEP 9

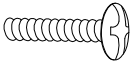
No.I
Quantity:4Pcs
Screw



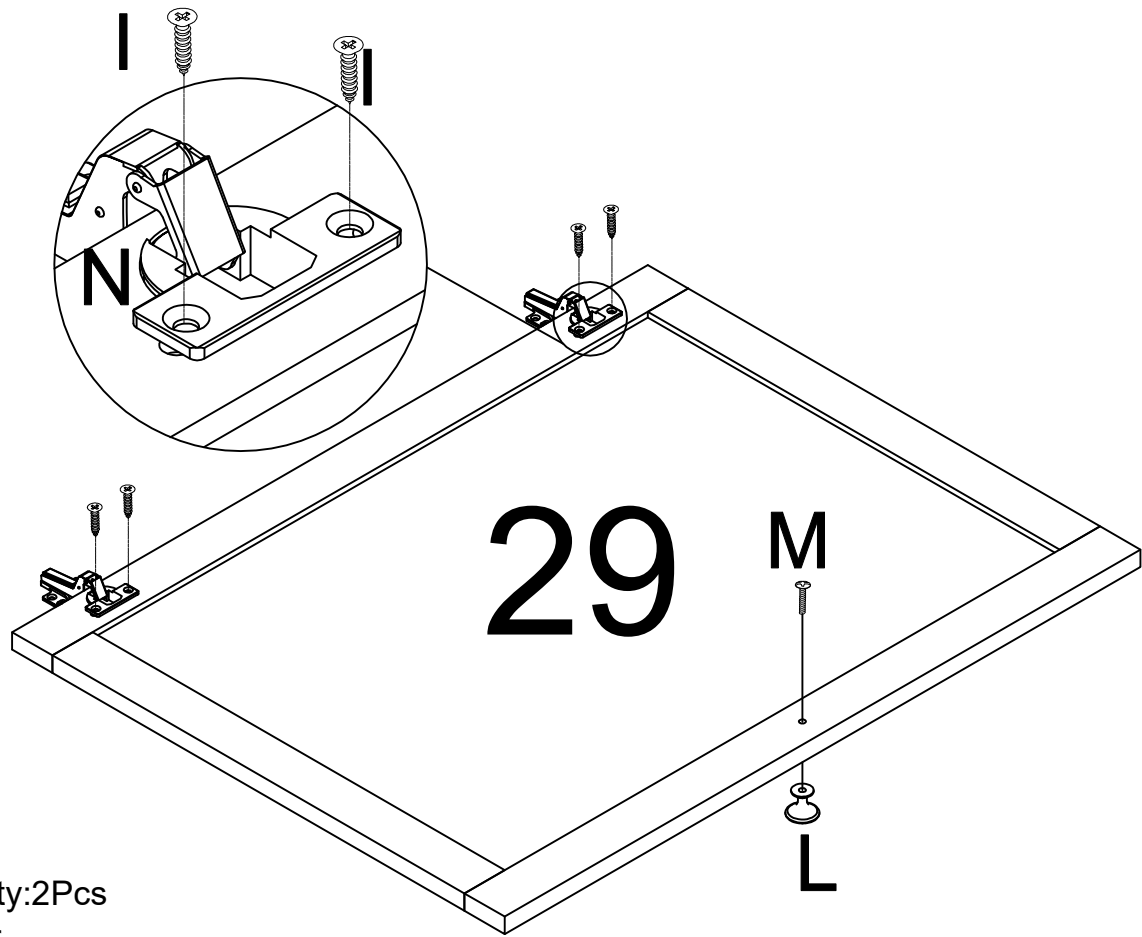
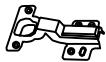
No.L
Quantity:1Pcs
handle



No.M
Quantity:1Pcs
Screw
Ø4x22mm

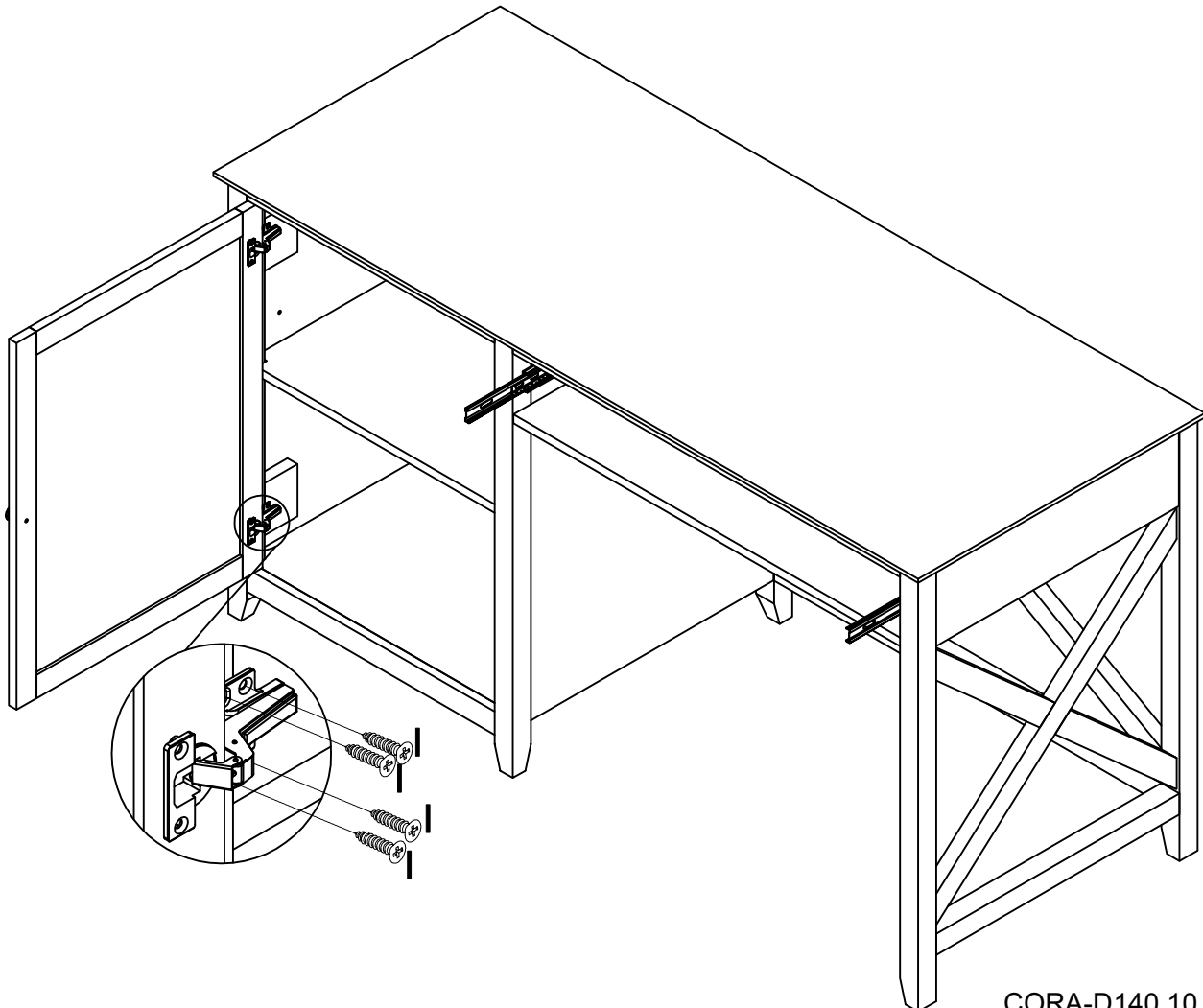


No.N
Quantity:2Pcs
Hinges



STEP 10

No.I
Quantity:8Pcs
Screw



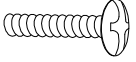
STEP 11

No.M

Quantity:1Pcs

Screw

Ø4x22mm



No.B

Quantity:5Pcs

Cam Nut

φ15*10



No.A

Quantity:1Pcs

Dowel

8*30mm



No.B

Quantity:5Pcs

Cam Bolt

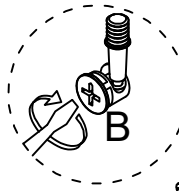
φ5*35



No.L

Quantity:1Pcs

handle

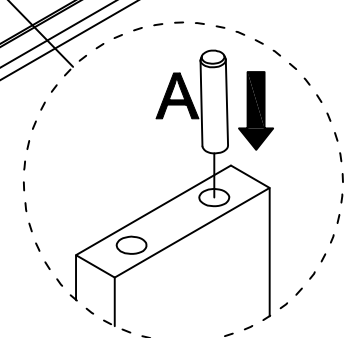
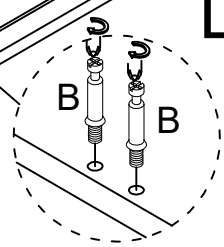


24

27

23

28



STEP 12

26

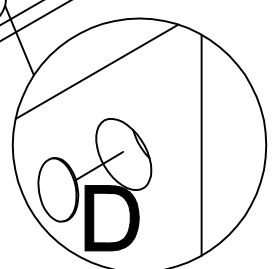


No.D

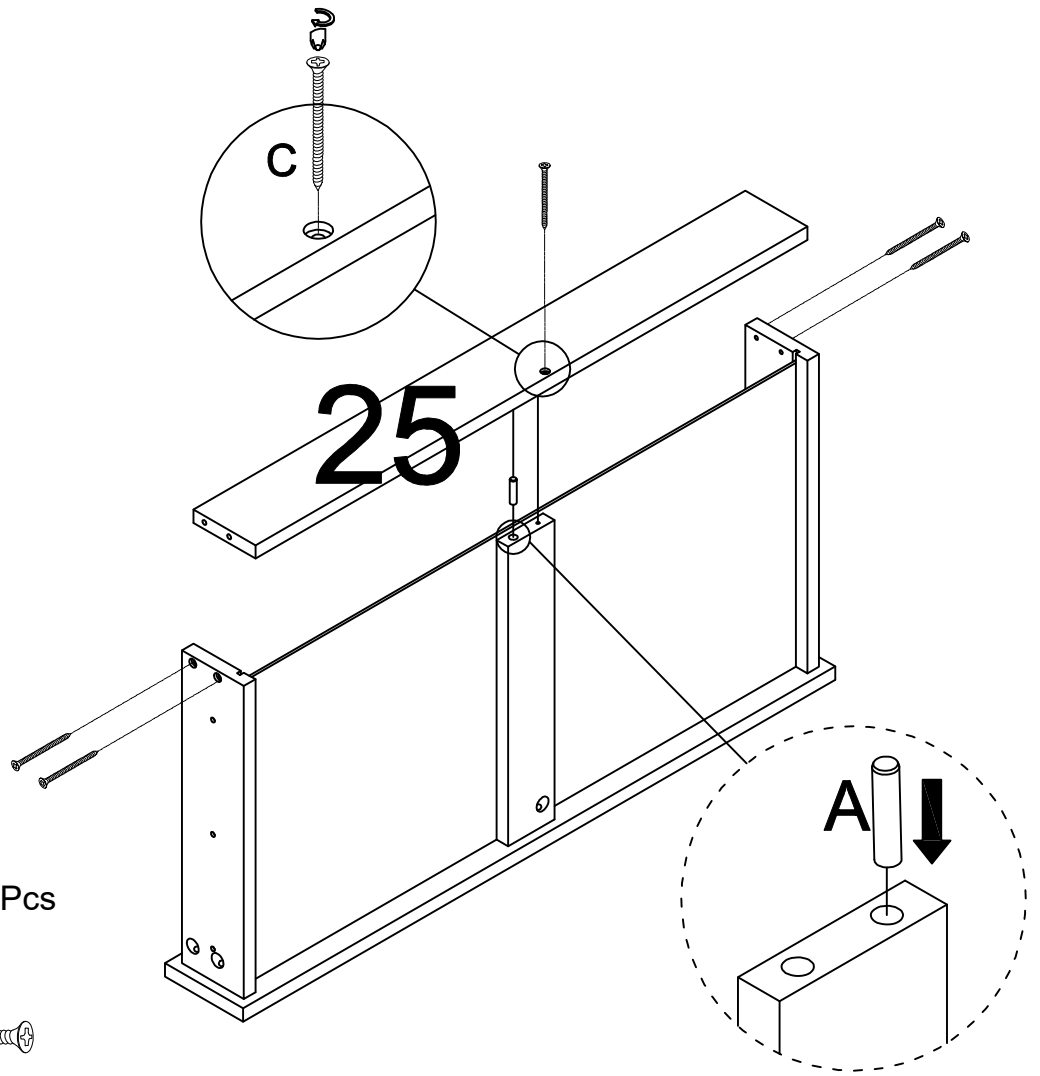
Quantity:5Pcs

Disc sticker

φ30



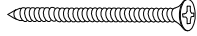
STEP 13



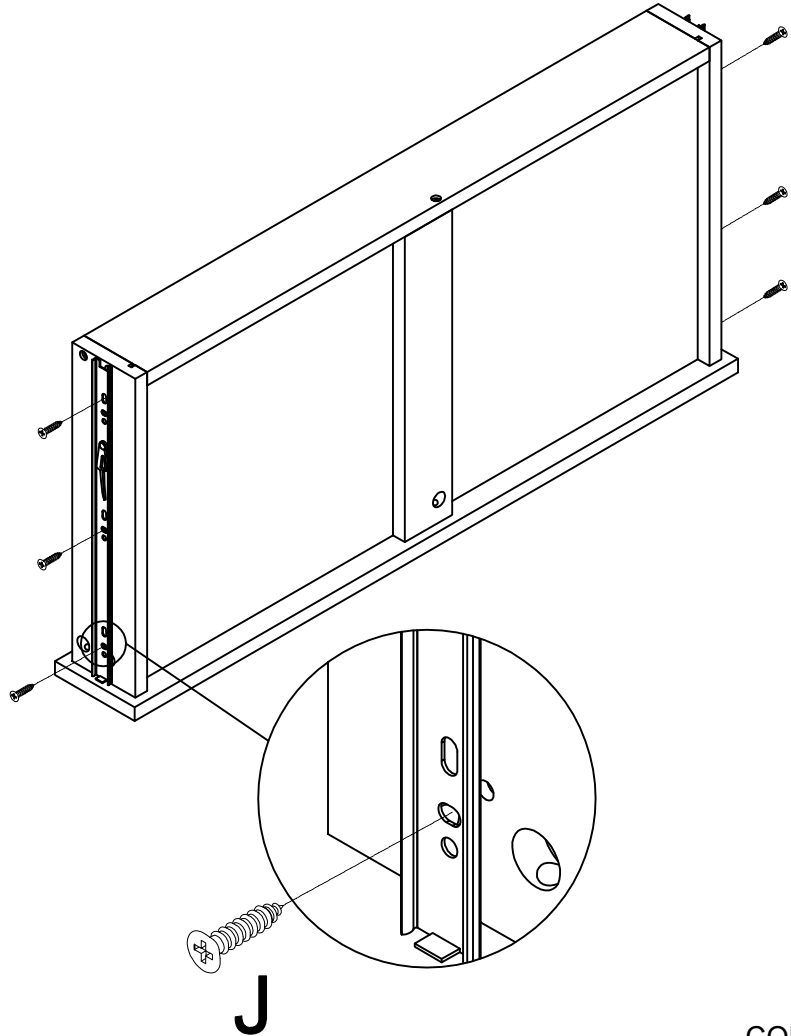
No.A
Quantity:1Pcs
Dowel
8*30mm



No.C
Quantity:5Pcs
Screw
Ø4*32



STEP 14



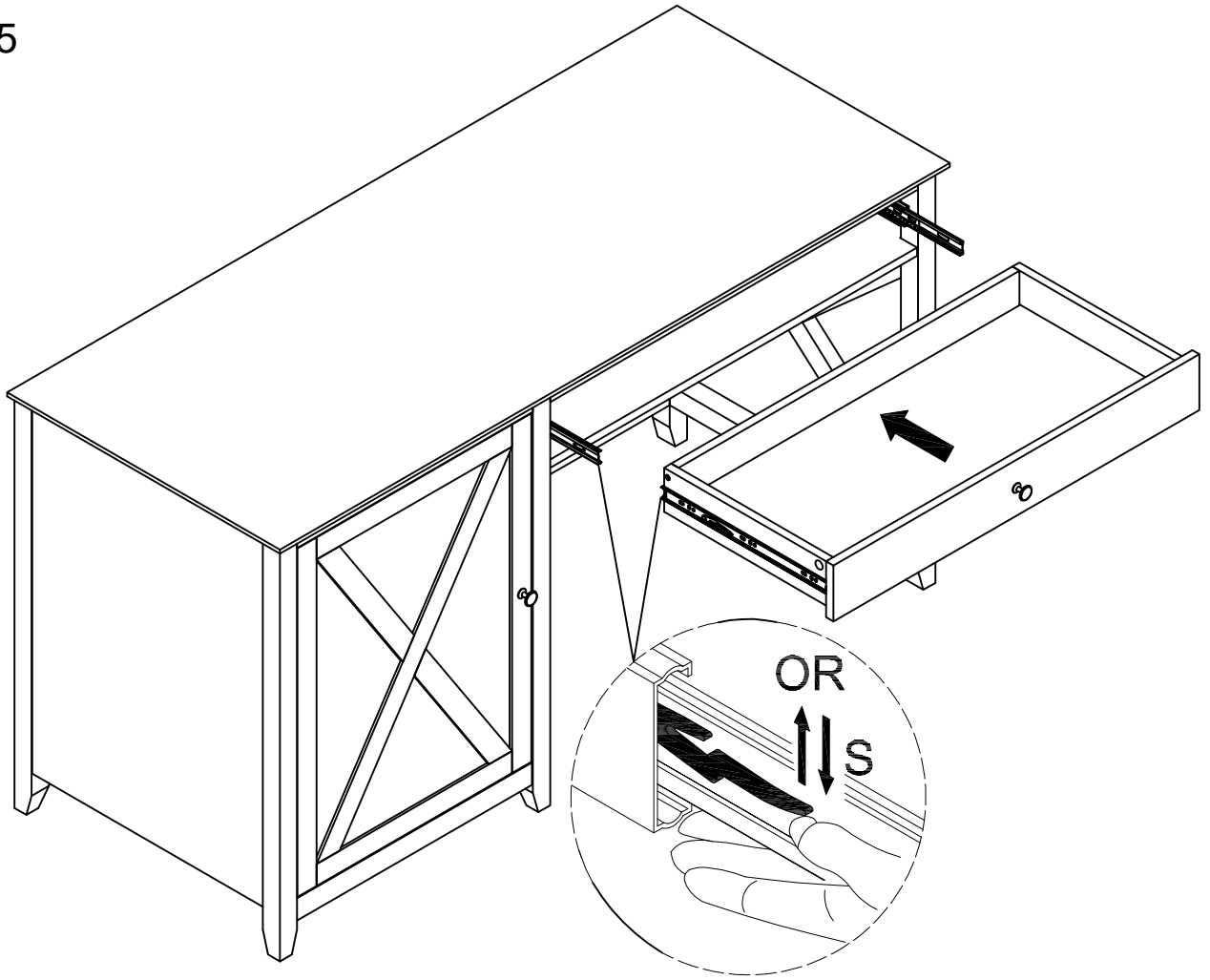
No.J
Quantity:6Pcs
Screw
Ø3*12



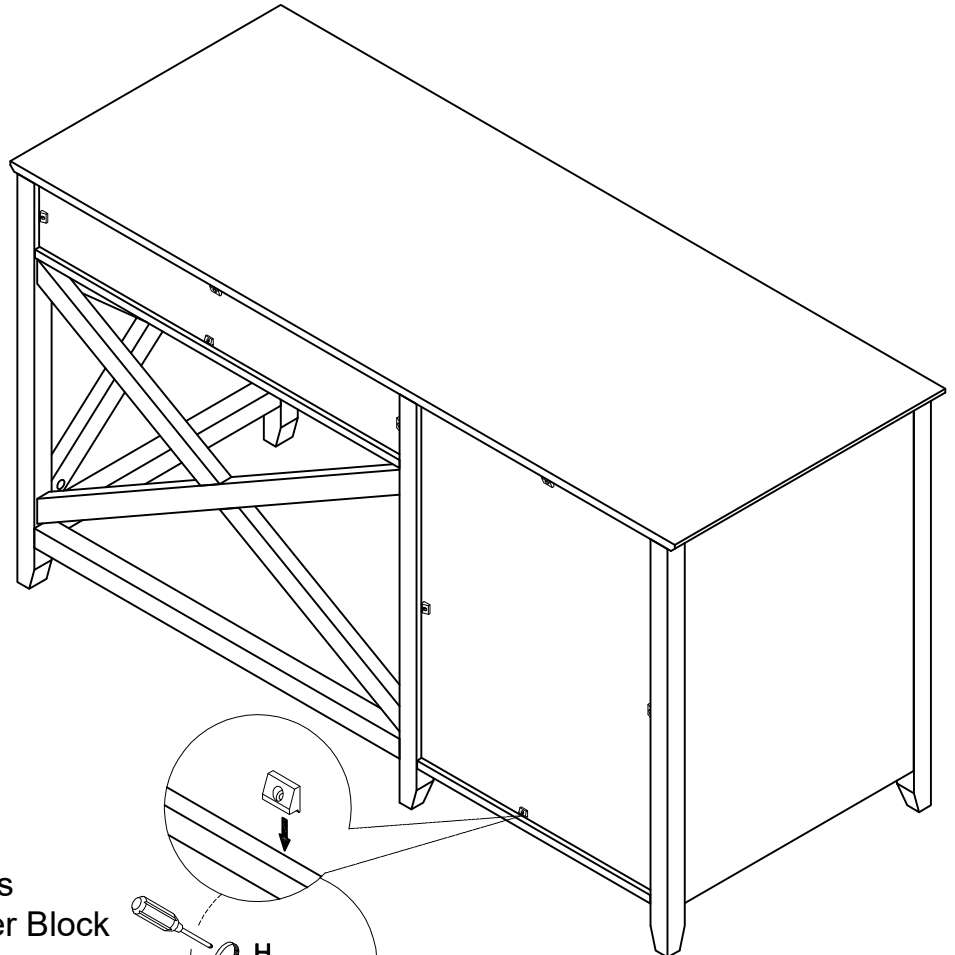
No.F
Quantity:1set
Slider



STEP 15



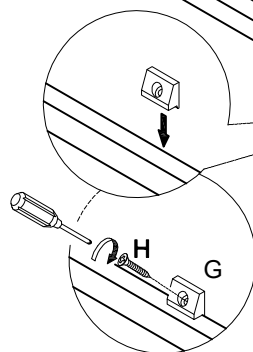
STEP 16



No.H
Quantity: 8Pcs
Screw
Ø3*17



No.G
Quantity: 8Pcs
Plastic Corner Block



Great job. You're done!

Don't forget to share how it looks in your space and tag us on Instagram.
@lifelyhome#homewithlifely!