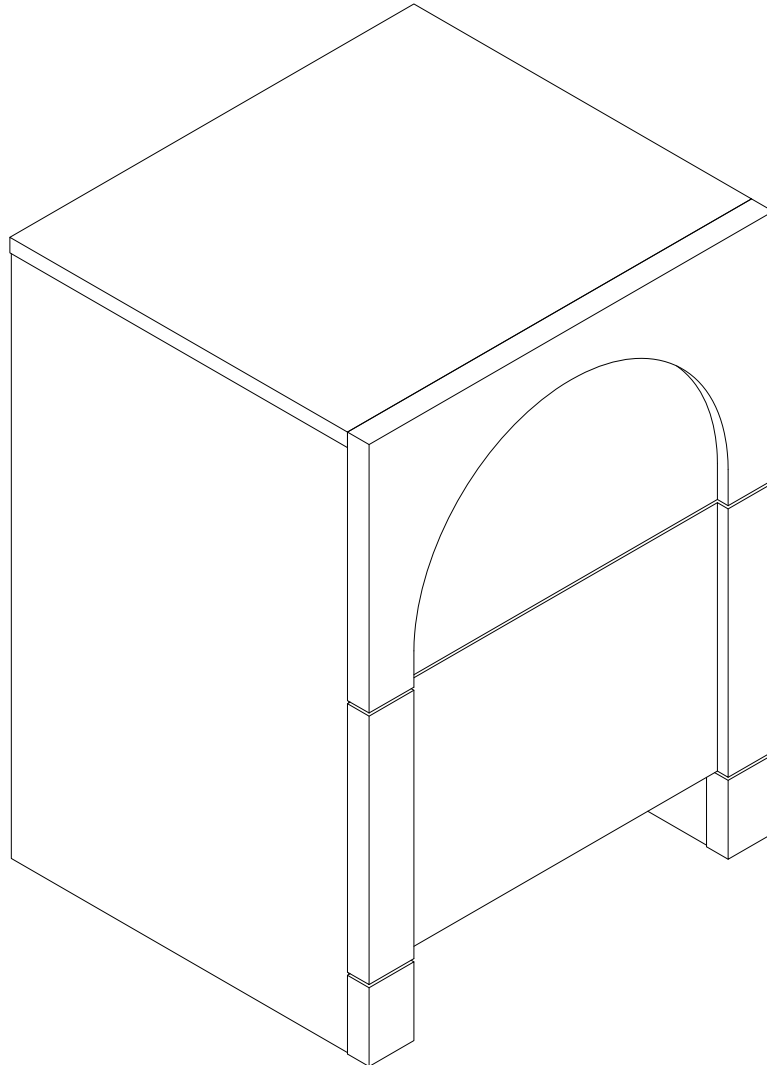


Assembly Instructions

Arch Series



Lifely*

Product Code

ARH-BS-WHT Arch Bedside Table

Dimensions(W x D x H)

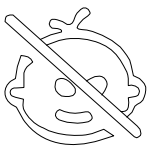
450*400*600mm

Important

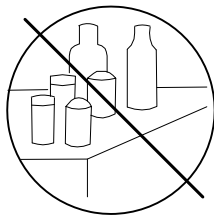
Please read through instruction carefully
Before assembly and keep for future reference.

For our full catalogue of assembly instructions,
Visit: lifely.com.au/assembly.

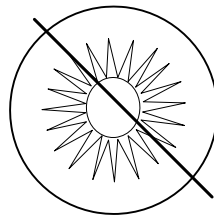
Important Tips and Maintenance



1. Keep children and animals away from working area as smaller parts may cause choking if swallowed.



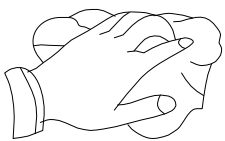
2. Never place liquids or anything damp upon furniture as it will mark. Ensure a coaster or running is beneath.



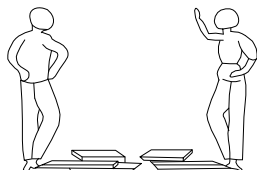
3. To avoid fading, keep furniture out of direct sunlight.



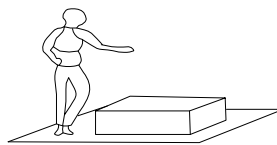
4. Never use ammonia based cleaning products as it will damage the finish.



5. Use a soft or dry cloth when wiping or cleaning surfaces.



6. Two person are required.



7. Lay a soft matt down to protect the furniture piece before and during assembly.

So your relationship is strong. But is it flat-pack furniture strong? Unless you're an aerospace engineer, assembling furniture can be slightly stressful. We recommend meditating quietly, pouring yourself a herbal tea (or slightly less herbal wine) and tackling things one step at a time. If you feel a passive aggressive remark coming on, try a compliment instead. E.g. "You're so good looking."

This 10-step assembly should take around 39 minutes with an Allen key-or 25 minutes with an electric drill.

Designed for everyday

Component Hardware

Please check you have all the fittings
part or tools are listed in below.

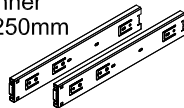
No. A
Quantity:28 Pcs
Cam
 $\phi 15 \times 12 \text{mm}$



No. B
Quantity:28 Pcs
Cam Lock Dowel
 $\phi 7 \times 25$



No. C
Quantity:2 Sets
Runner
L=250mm



No. D
Quantity:8 Pcs
Screw
 $\phi 3.5 \times 35 \text{mm}$



No. E
Quantity:14Pcs
Wooden Dowel
 $\text{Ø}8 \times 30 \text{mm}$



No. F
Quantity:28 Pcs
Screw
 $\phi 3.5 \times 14 \text{mm}$



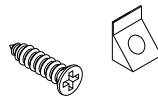
No. G
Quantity:28Pcs
Cover
 $\phi 20 \text{mm}$



No. H
Quantity:1 Pair
Gloves



No. I
Quantity:4 Pcs



$\phi 3 \times 18 \text{mm}$

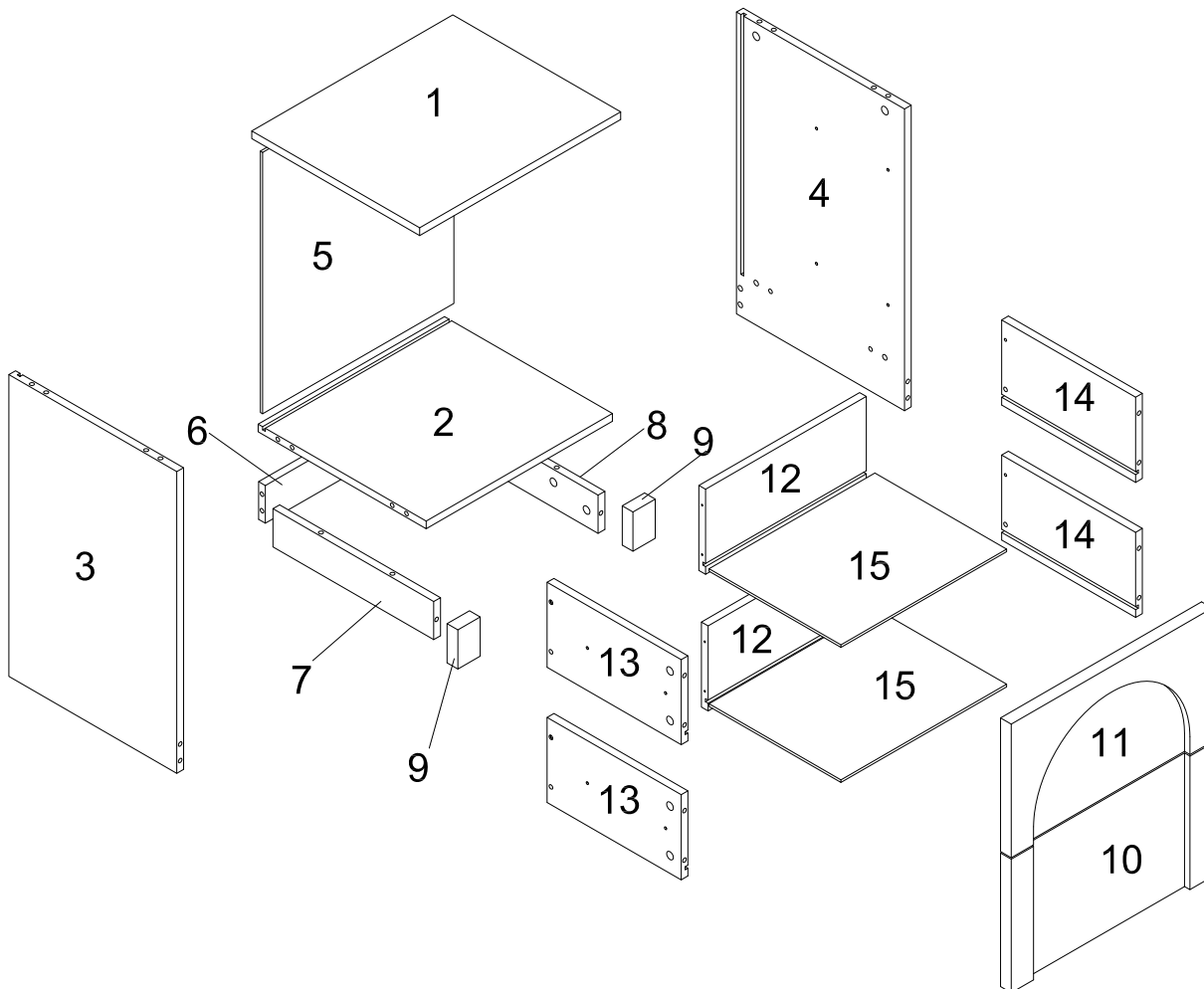
No. J
Quantity:1 Pc
Key
5mm



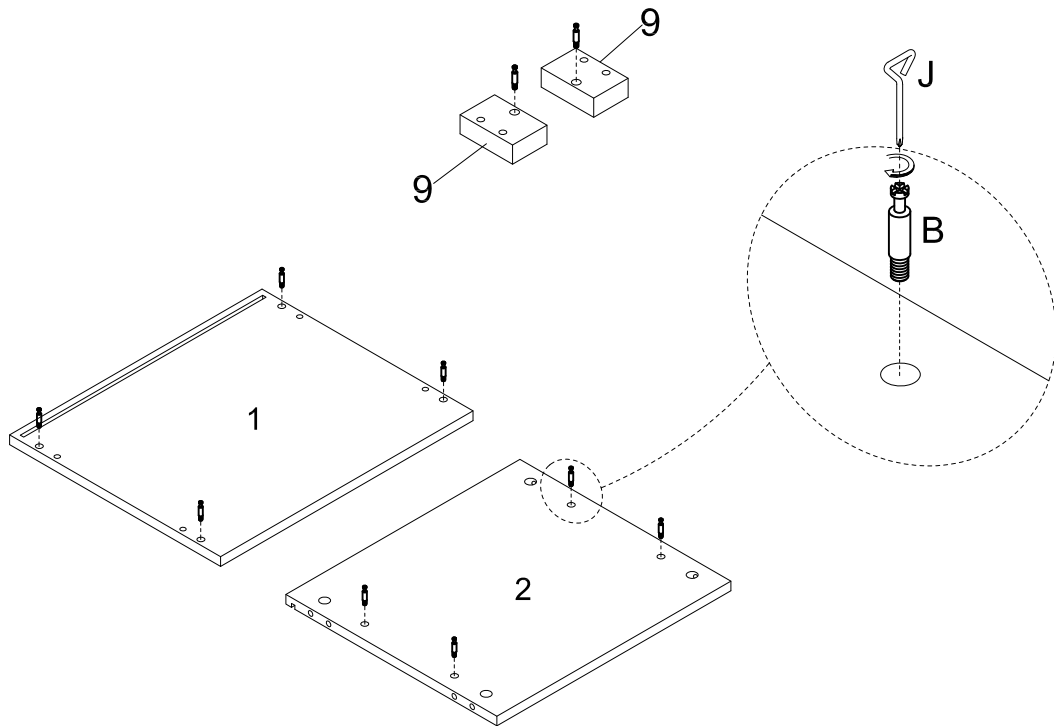
Component Panels & part List

Please check you have all the panels are listed below.

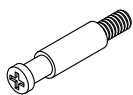
1. Top Panel-----x1
2. Bottom-----x1
3. Side Panel-Left-----x1
4. Side Panel-Right-----x1
5. Back Panel-----x1
6. Back Baseboard-----x1
7. Bottom support-Left-----x1
8. Baseboard-Right-----x1
9. Decorative Panel-Front-----x2
10. Drawer Panel-Down-----x1
11. Drawer Panel-Upper-----x1
12. Drawer Back Panel-----x2
13. Drawer Side Panel-Left-----x2
14. Drawer Side Panel-Right-----x2
15. Drawer Bottom Panel-----x2



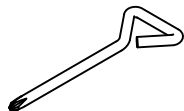
STEP 1



No. B
Quantity:10 Pcs

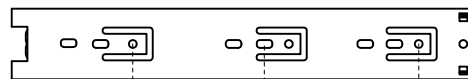
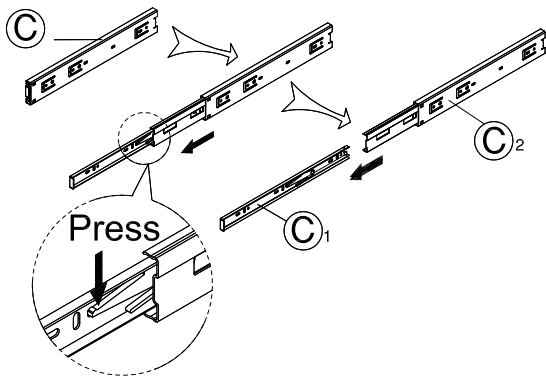


No. J
Quantity:1 Pc



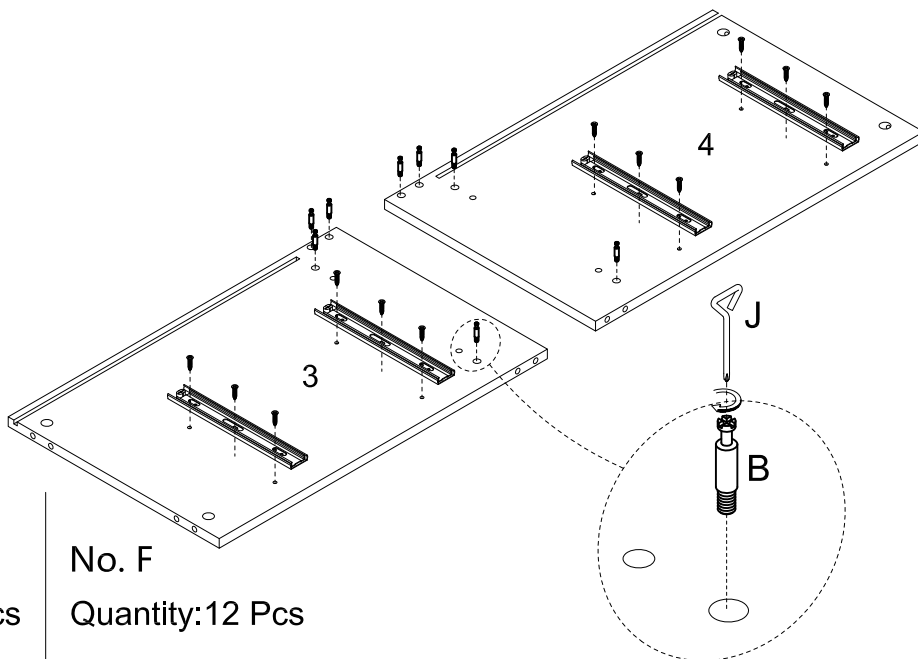
STEP 2

NOTE:Please through the hole in the center.

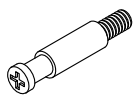


Last Third Hole

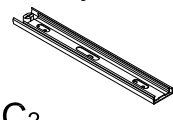
Second Hole



No. B
Quantity:8 Pcs



No. C
Quantity:4 Pcs

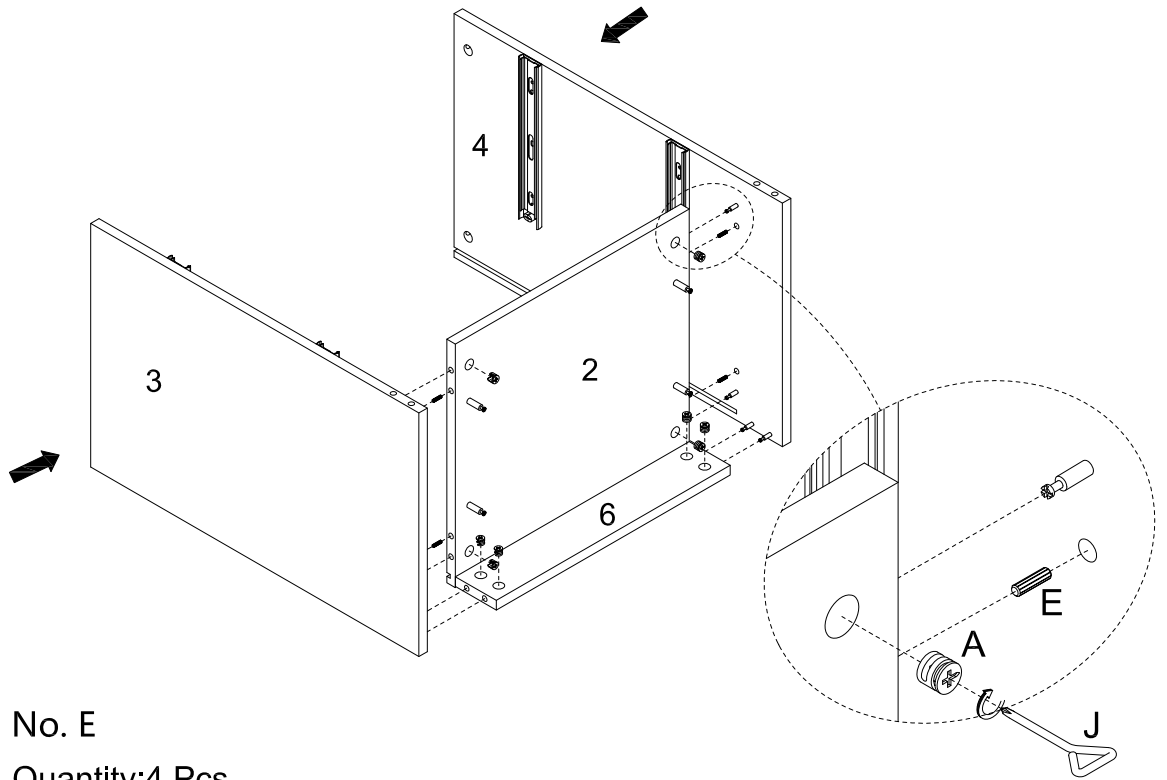


C₂

No. F
Quantity:12 Pcs



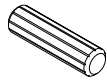
STEP 3



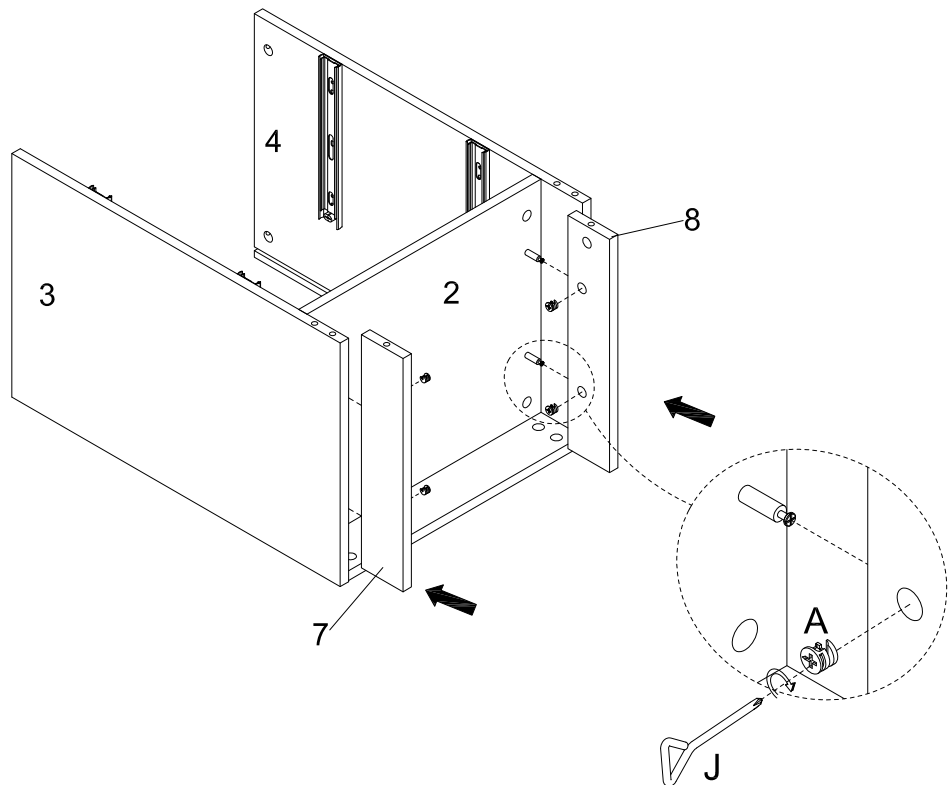
No. A
Quantity:8 Pcs



No. E
Quantity:4 Pcs



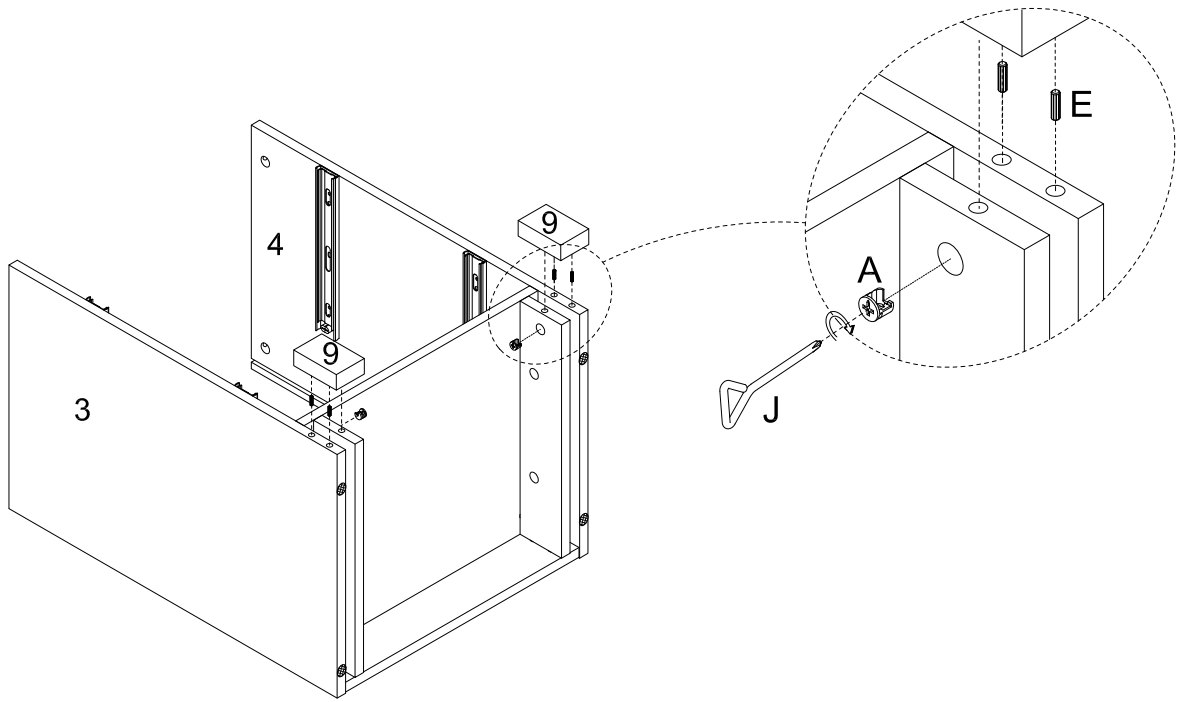
STEP 4



No. A
Quantity:4 Pcs



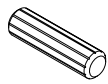
STEP 5



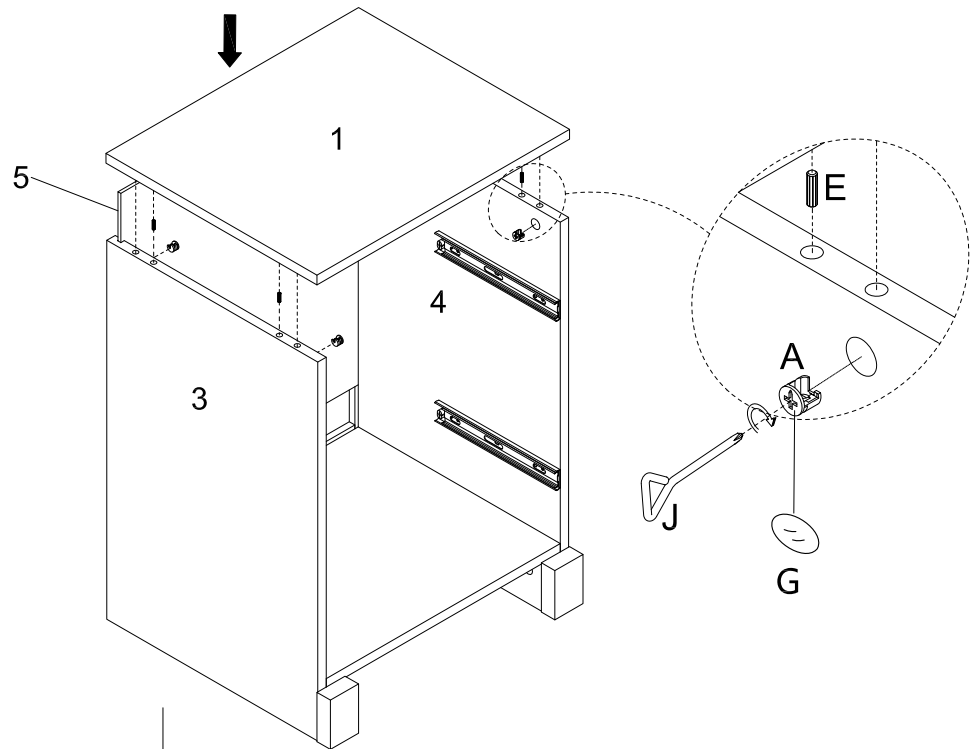
No. A
Quantity:2 Pcs



No. E
Quantity:4 Pcs



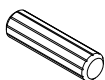
STEP 6



No. A
Quantity:4 Pcs



No. E
Quantity:4 Pcs

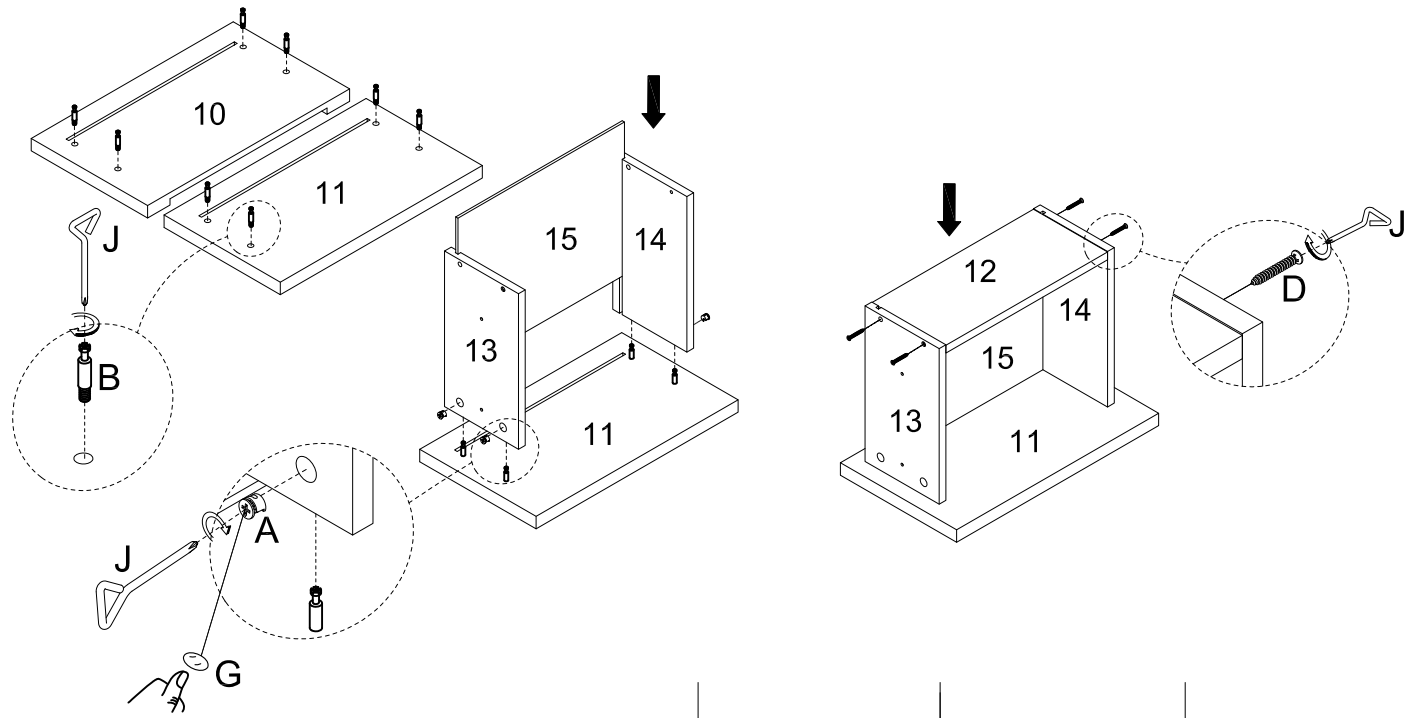


No. G
Quantity:18 Pcs



STEP 7

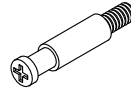
All drawers in the same way for installing drawer box.



No. A
Quantity:8 Pcs



No. B
Quantity:8 Pcs



No. D
Quantity:8 Pcs



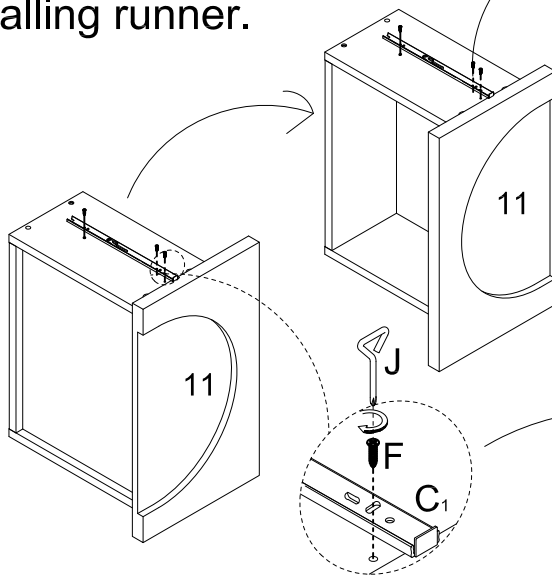
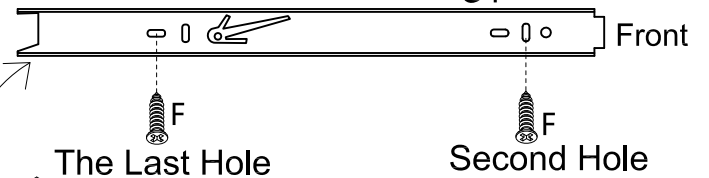
No. G
Quantity:8 Pcs



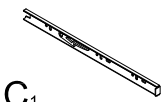
STEP 8

All drawers in the same way for installing runner.

NOTE:Please through the hole in the center.



No. C
Quantity:4 Pcs



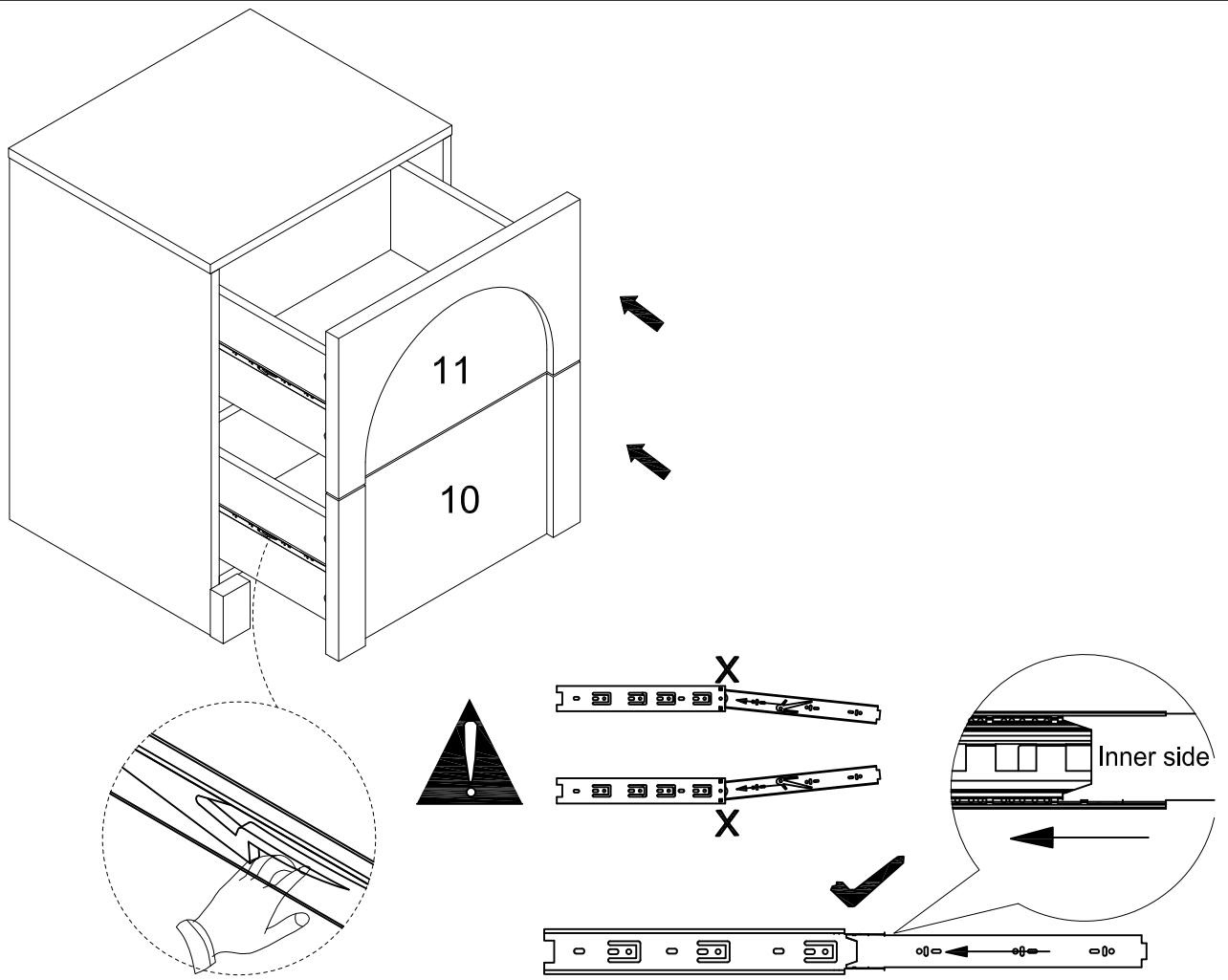
C₁

No. F
Quantity:12 Pcs

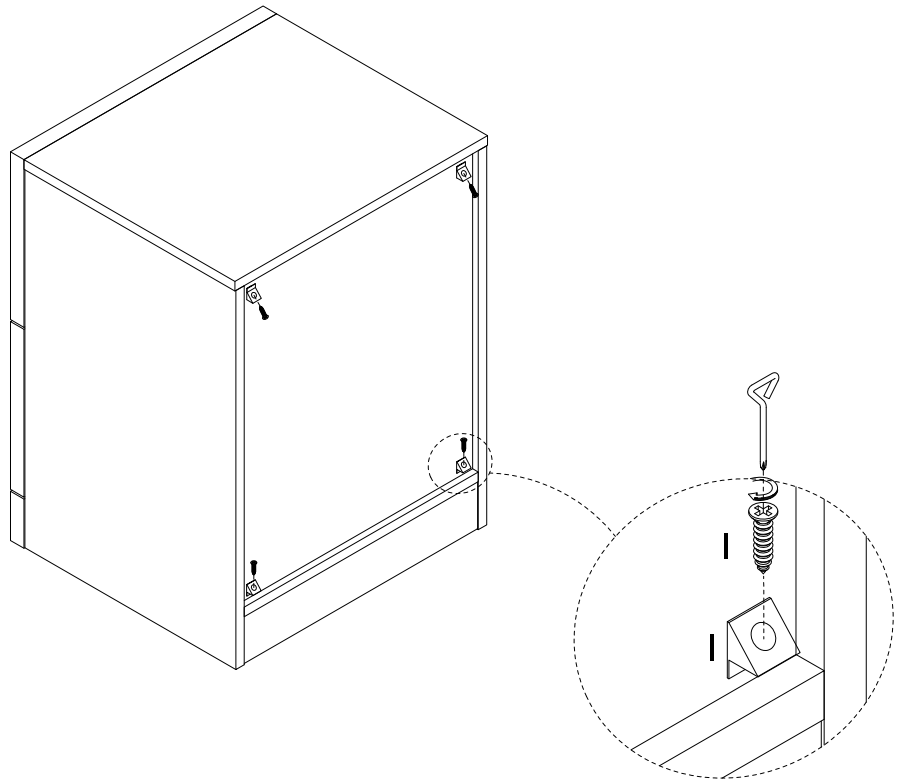


This screw can adjust the gap between the higher and lower, the position of screw remains the same, just loosen the slide rail up and down.

STEP 9



STEP 10



No. 1
Quantity: 4 Pcs



lifely.com.au

Great job. You're done!

Don't forget to share how it looks in
your space and tag us on Instagram.

@lifelyhome #homewithlifely!