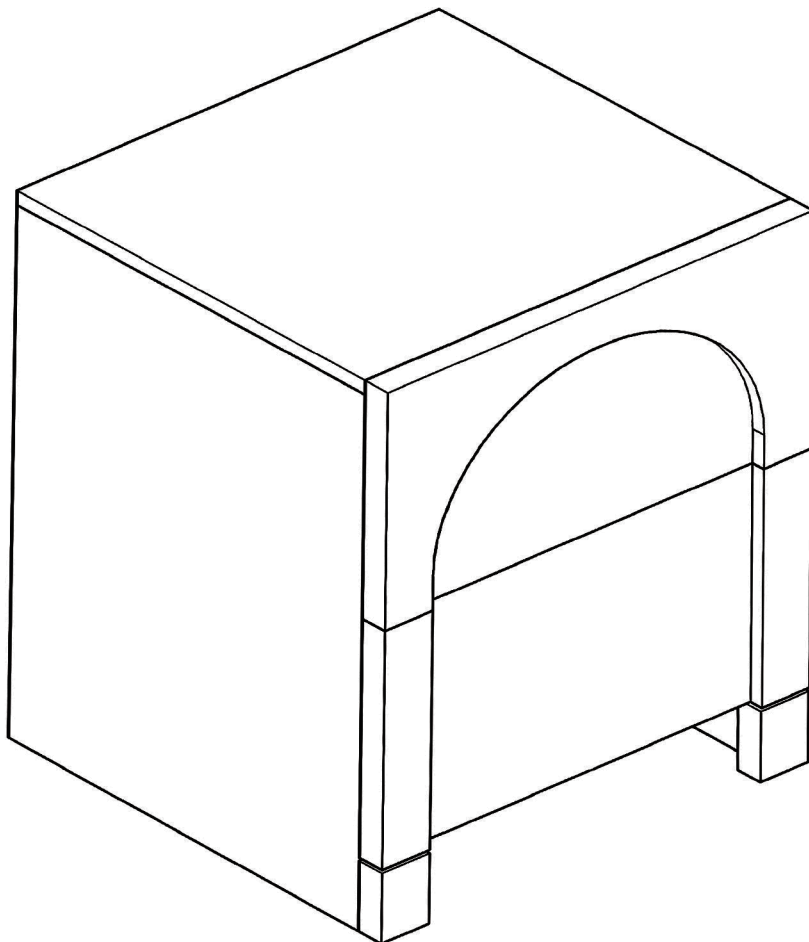


Assembly Instructions

ARCH SERIES



Lifely*

Product Code
ARH-BS-WHT
Arch Bedside Table

Dimensions (W x D x H)
450x400x600mm

Important

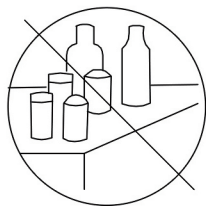
Please read through instruction carefully
Before assembly and keep for future reference.

For our full catalogue of assembly instructions,
Visit: lifely.com.au/assembly.

Important Tips and Maintenance



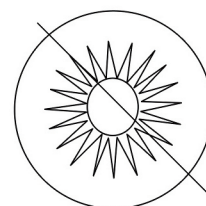
1. Keep children and animals away from working area as smaller parts may cause choking if swallowed.



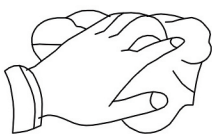
2. Never place liquids or anything damp upon furniture as it will mark. Ensure a coaster or running is beneath.



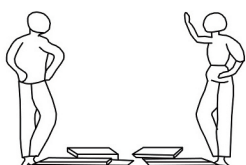
3. Never use ammonia based cleaning products as it will damage the finish.



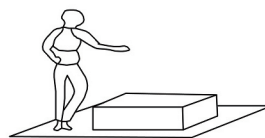
4. To avoid fading, keep furniture out of direct sunlight.



5. Use a soft or damp cloth (dry cloth) when wiping or cleaning surfaces.



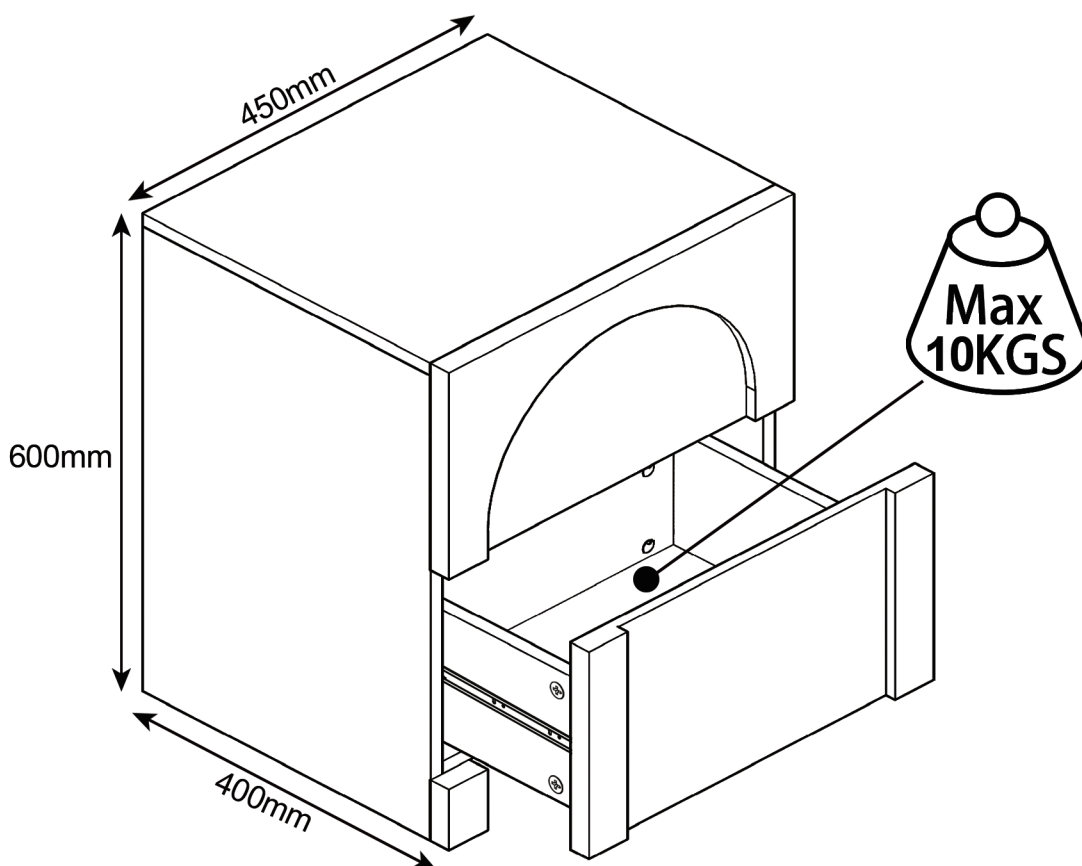
6. Two person are required.



7. Lay a soft matt down to protect the furniture piece before and during assembly.



8. SET-UP TIME: 40 MINUTE



So your relationship is strong. But is it flat-pack furniture strong? Unless you're an aerospace engineer, assembling furniture can be slightly stressful. We recommend meditating quietly, pouring yourself a herbal tea (or slightly less herbal wine) and tackling things one step at a time. If you feel a passive aggressive remark coming on, try a compliment instead. E.g. "You're so good looking".

This 14 -Step assembly should take around 40 minutes with an Allen Key-or 30 minutes with an electric drill. Godspeed.

Designed for everyday

Component Hardware

Please check you have all the fittings
part or tools are listed in below.

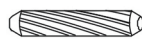
No. A
Quantity: 38Pcs
Cam Bolt



No. B
Quantity: 38Pcs
Cam Nut



No. C
Quantity: 20Pcs
Dowel 8*40mm



No. D
Quantity: 28Pcs
Screw 4*16mm



No. E
Quantity: 4Pcs
Guide



No. F
Quantity: 4Pcs
Sticker



No. G
Quantity: 4Pcs
Buckle



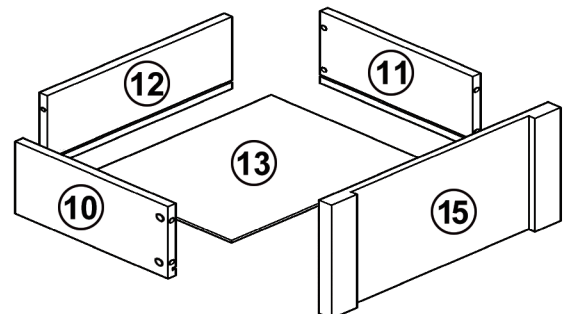
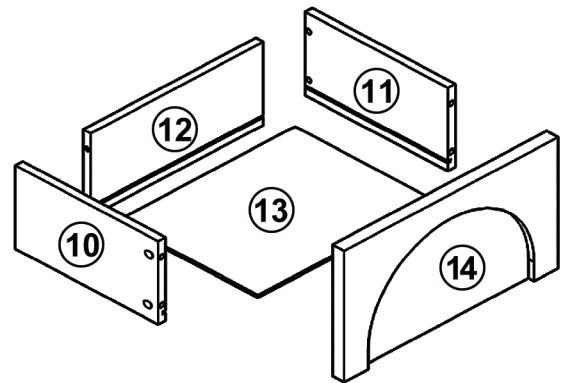
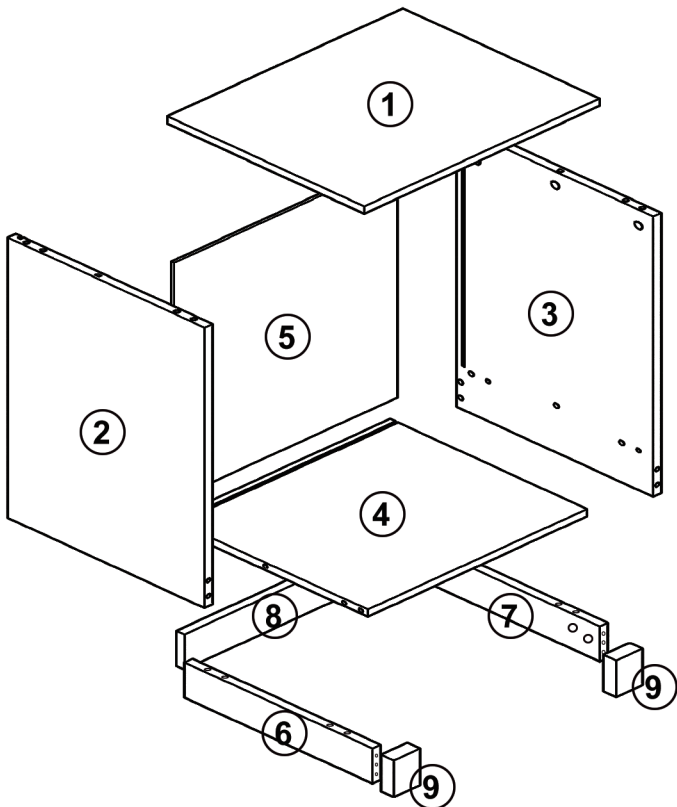
No. H
Quantity: 1Pc
Allen Key



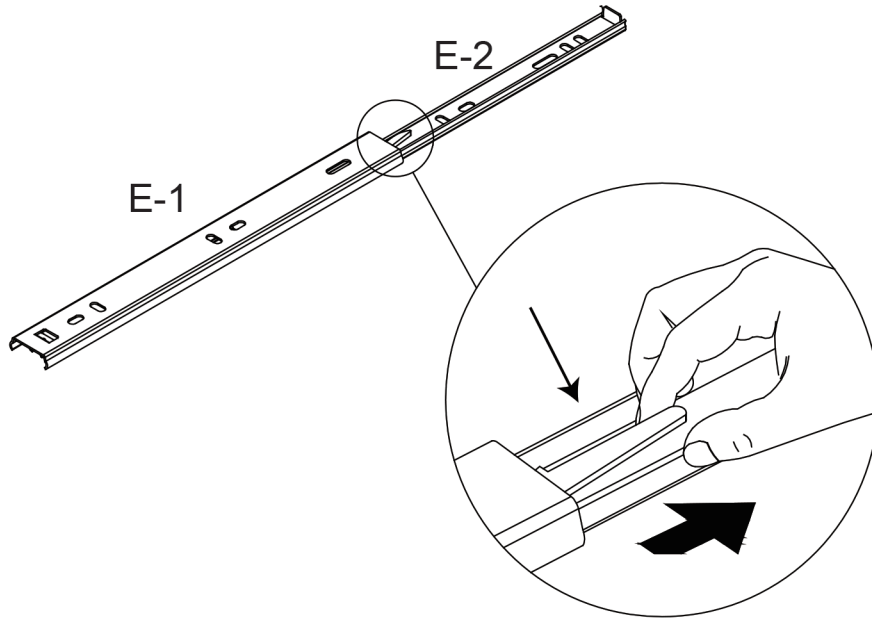
Component Panels & part List

Please check you have all the panels
are listed below.

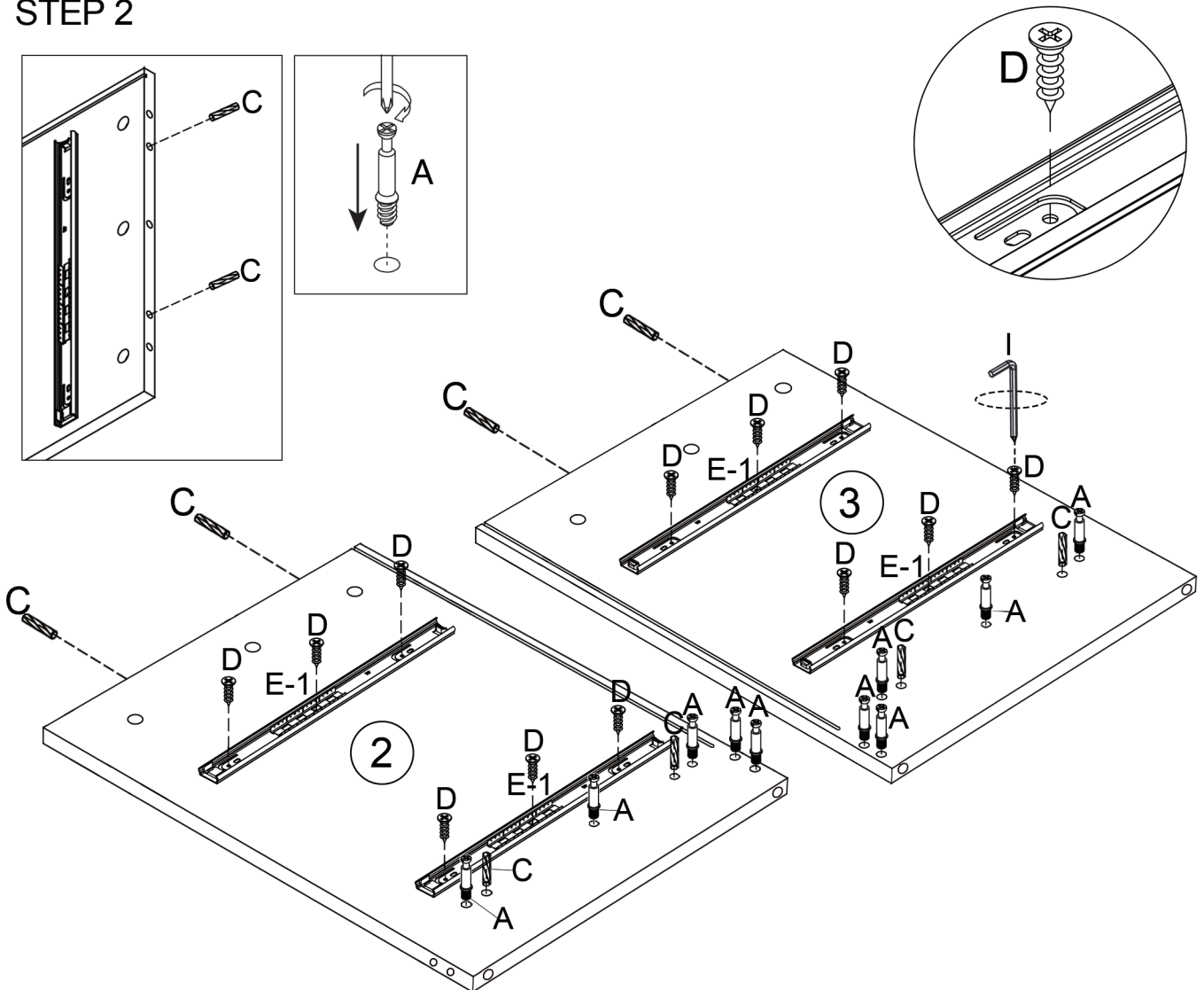
1. TOP PANEL ----- x1
2. LEFT SIDE PANEL ----- x1
3. RIGHT SIDE PANEL ----- x1
4. BOTTOM PANEL ----- x1
5. BACK PANEL ----- x1
6. BASE LEFT PANEL ----- x1
7. BASE RIGHT PANEL ----- x1
8. BASE PANEL ----- x1
9. SUPPORT LEG ----- x2
10. DRAWER LEFT SIDES PANEL ----- x2
11. DRAWER RIGHT SIDES PANEL ----- x2
12. DRAWER BACK PANEL ----- x2
13. DRAWER BOTTOM PANEL ----- x2
14. FRONT DRAWER PANEL ----- x1
15. BOTTOM DRAWER PANEL ----- x1



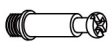
STEP 1



STEP 2



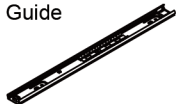
No. A
Quantity: 10Pcs
Cam Bolt



No. D
Quantity: 12Pcs
Screw 4*16mm



No. E-1
Quantity: 4Pcs
Guide



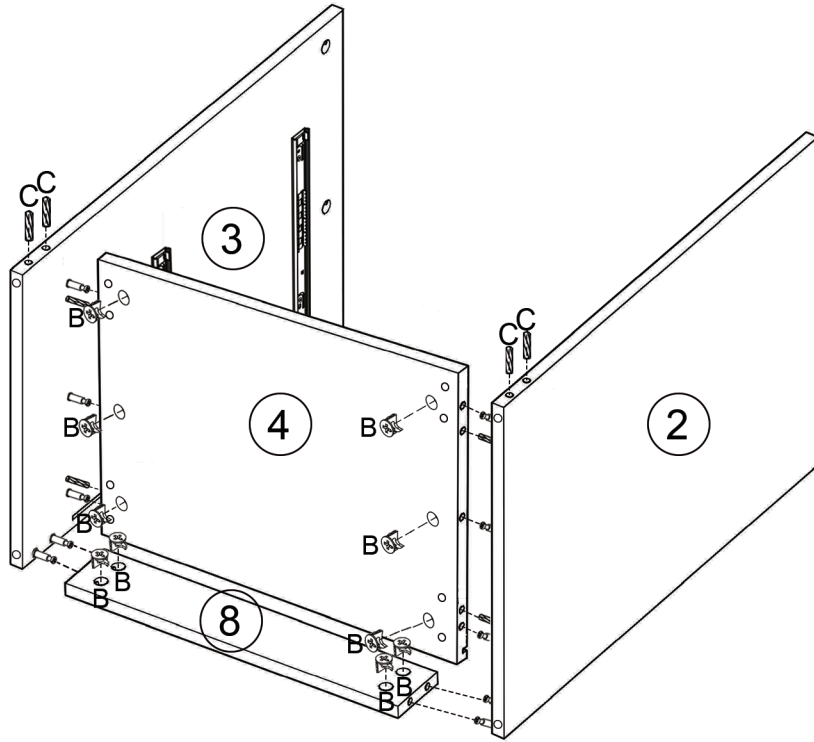
No. C
Quantity: 8Pcs
Dowel 8*40mm



No. H
Quantity: 1Pc
Allen Key



STEP 3



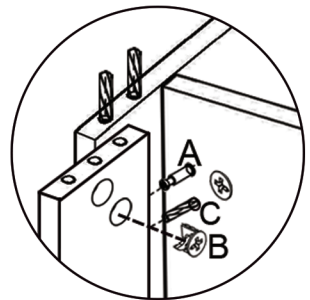
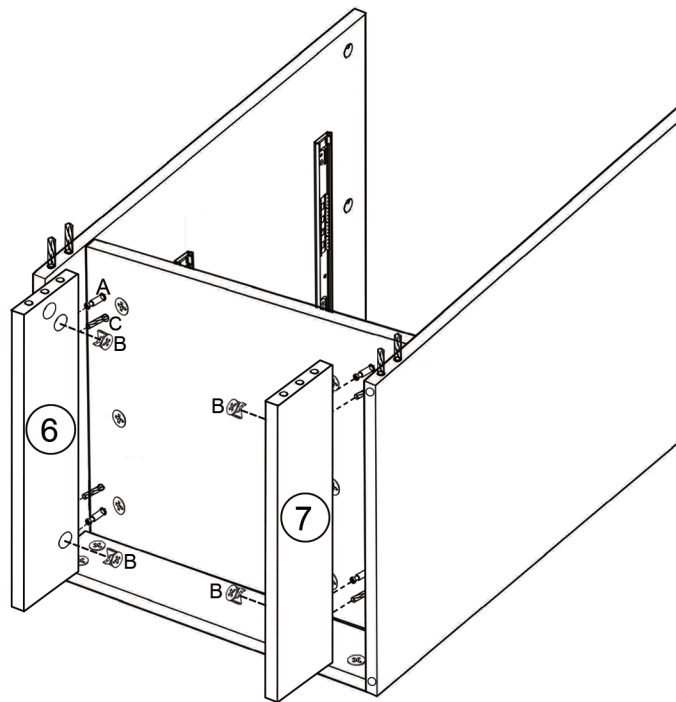
No. B
Quantity: 10Pcs
Cam Nut



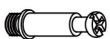
No. C
Quantity: 4Pcs
Dowel 8*40mm



STEP 4



No. A
Quantity: 4Pcs
Cam Bolt



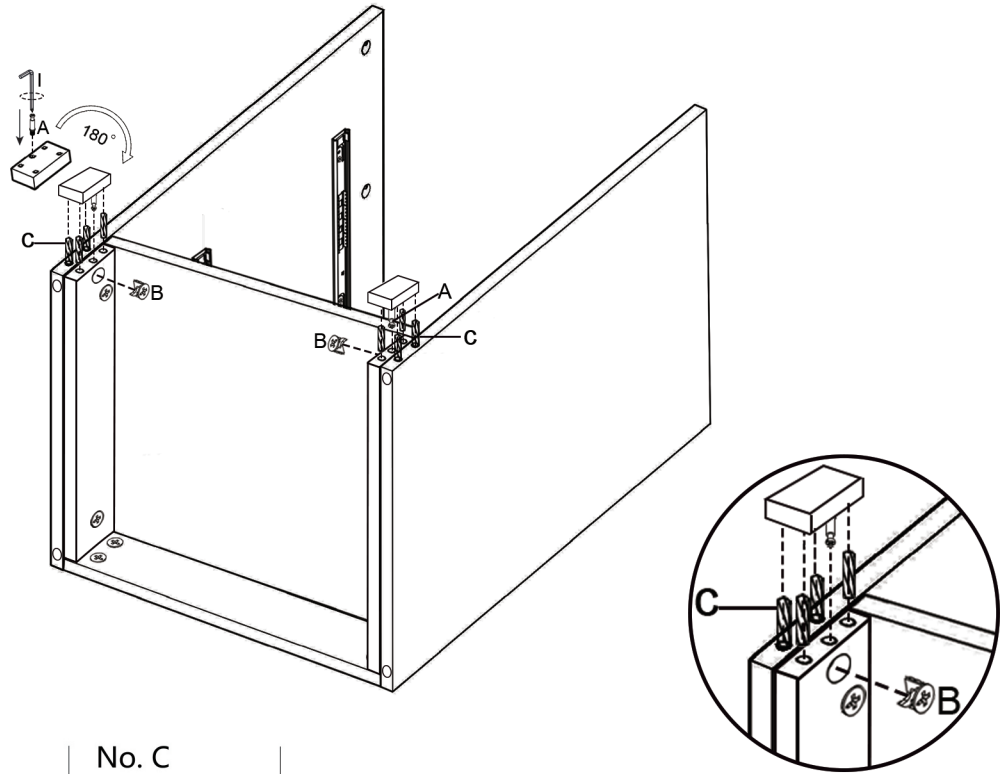
No. B
Quantity: 4Pcs
Cam Nut



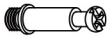
No. C
Quantity: 4Pcs
Dowel 8*40mm



STEP 5



No. A
Quantity: 2Pcs
Cam Bolt



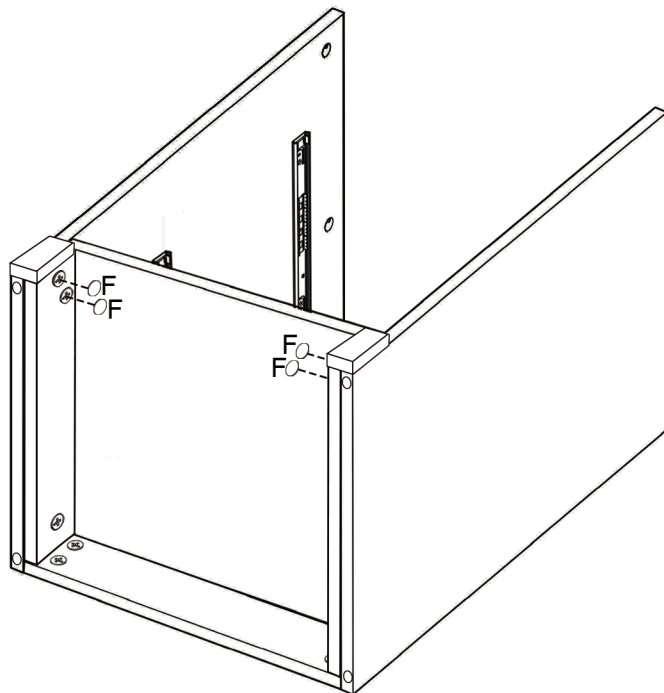
No. B
Quantity: 2Pcs
Cam Nut



No. C
Quantity: 4Pcs
Dowel 8*40mm



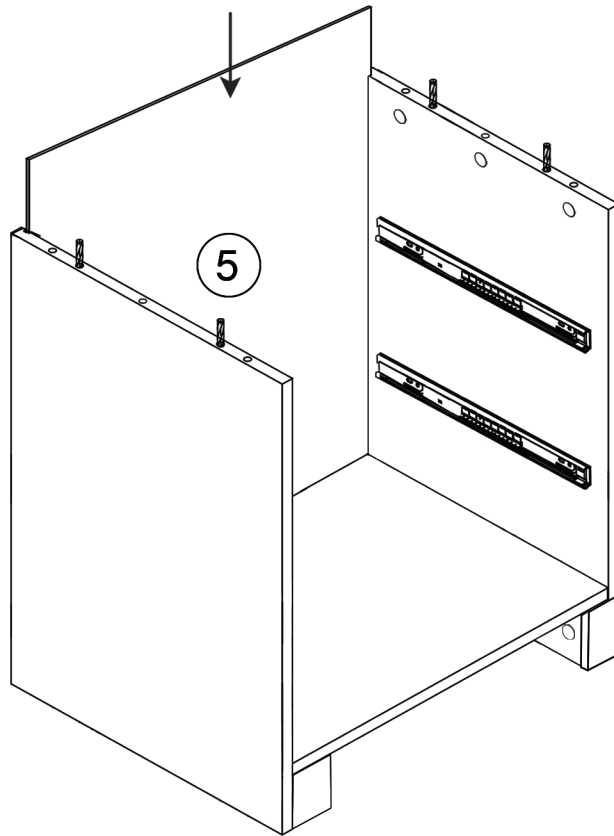
STEP 6



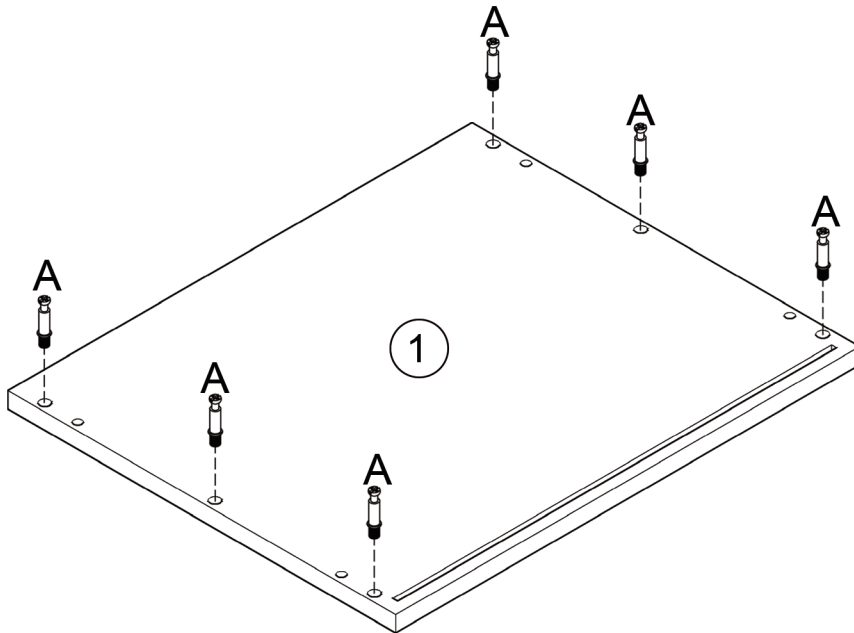
No. F
Quantity: 4Pcs
Sticker



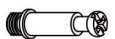
STEP 7



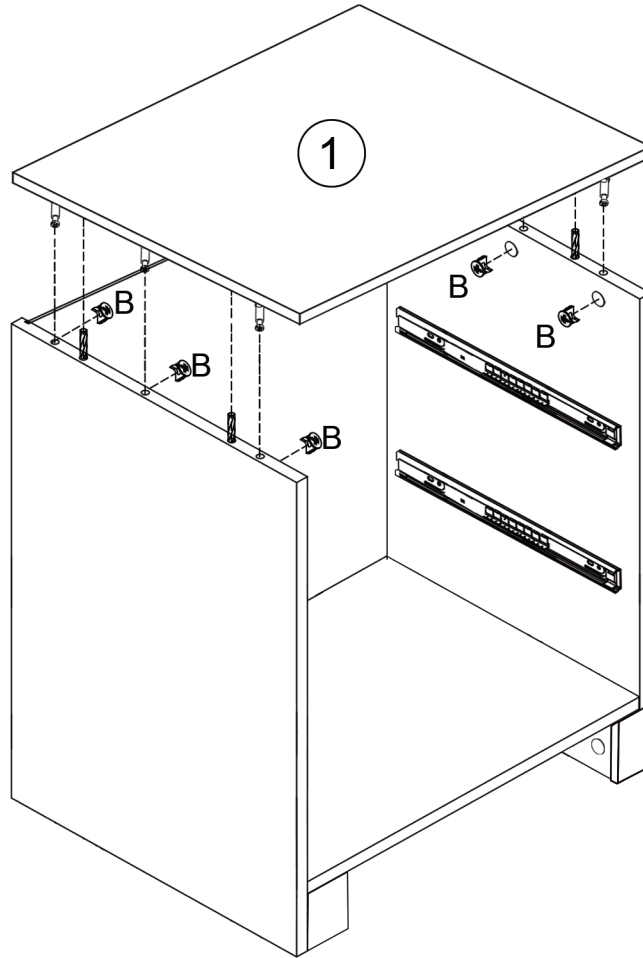
STEP 8



No. A
Quantity: 6Pcs
Cam Bolt



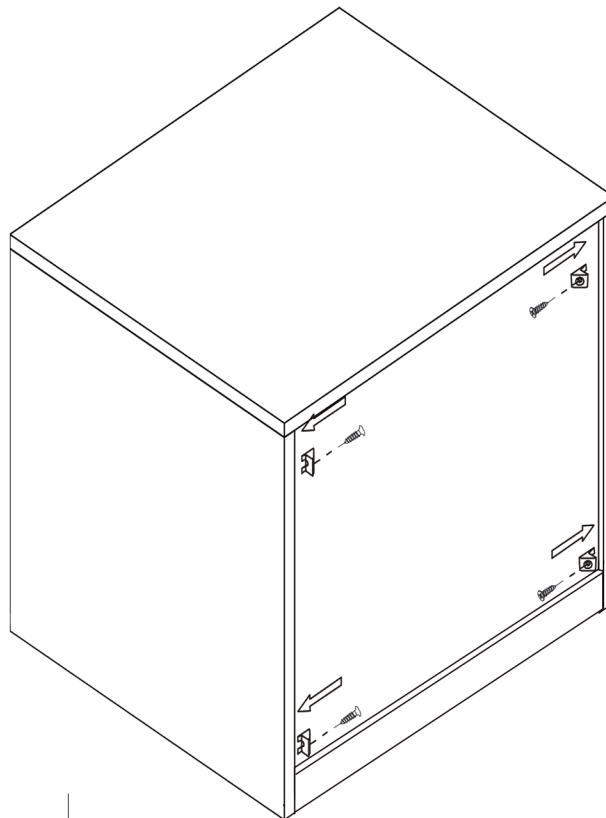
STEP 9



No. B
Quantity: 6Pcs
Cam Nut



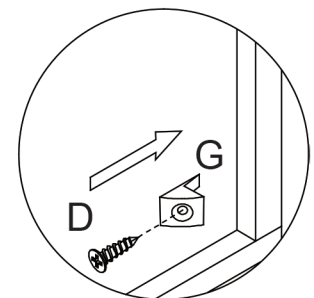
STEP 10



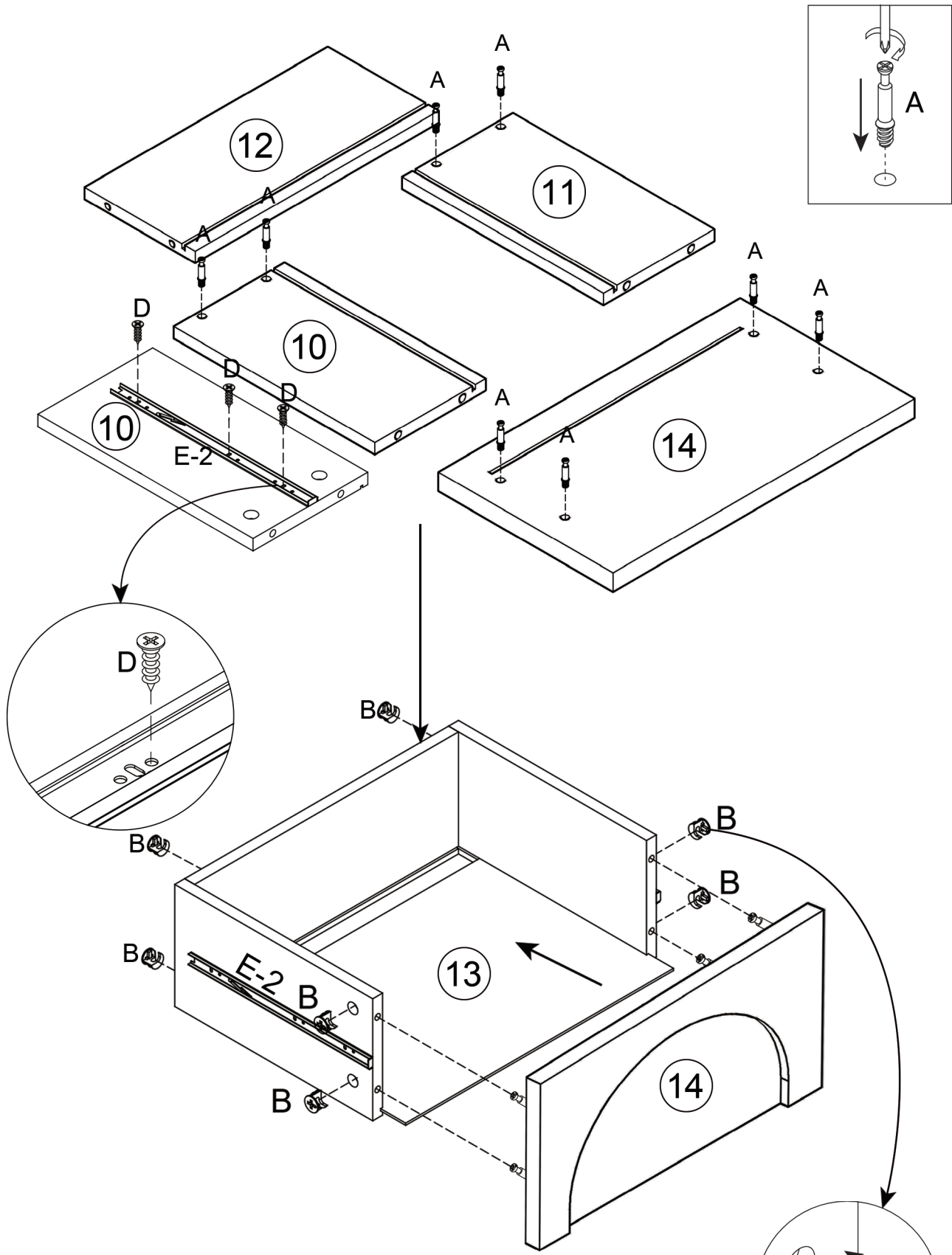
No. D
Quantity: 4Pcs
Screw 4*16mm



No. G
Quantity: 4Pcs
Buckle



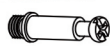
STEP 11



No. E-2
Quantity: 2Pcs
Guide



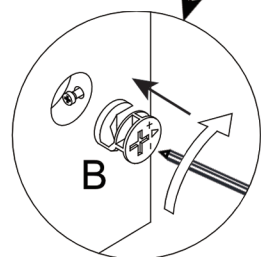
No. A
Quantity: 8Pcs
Cam Bolt



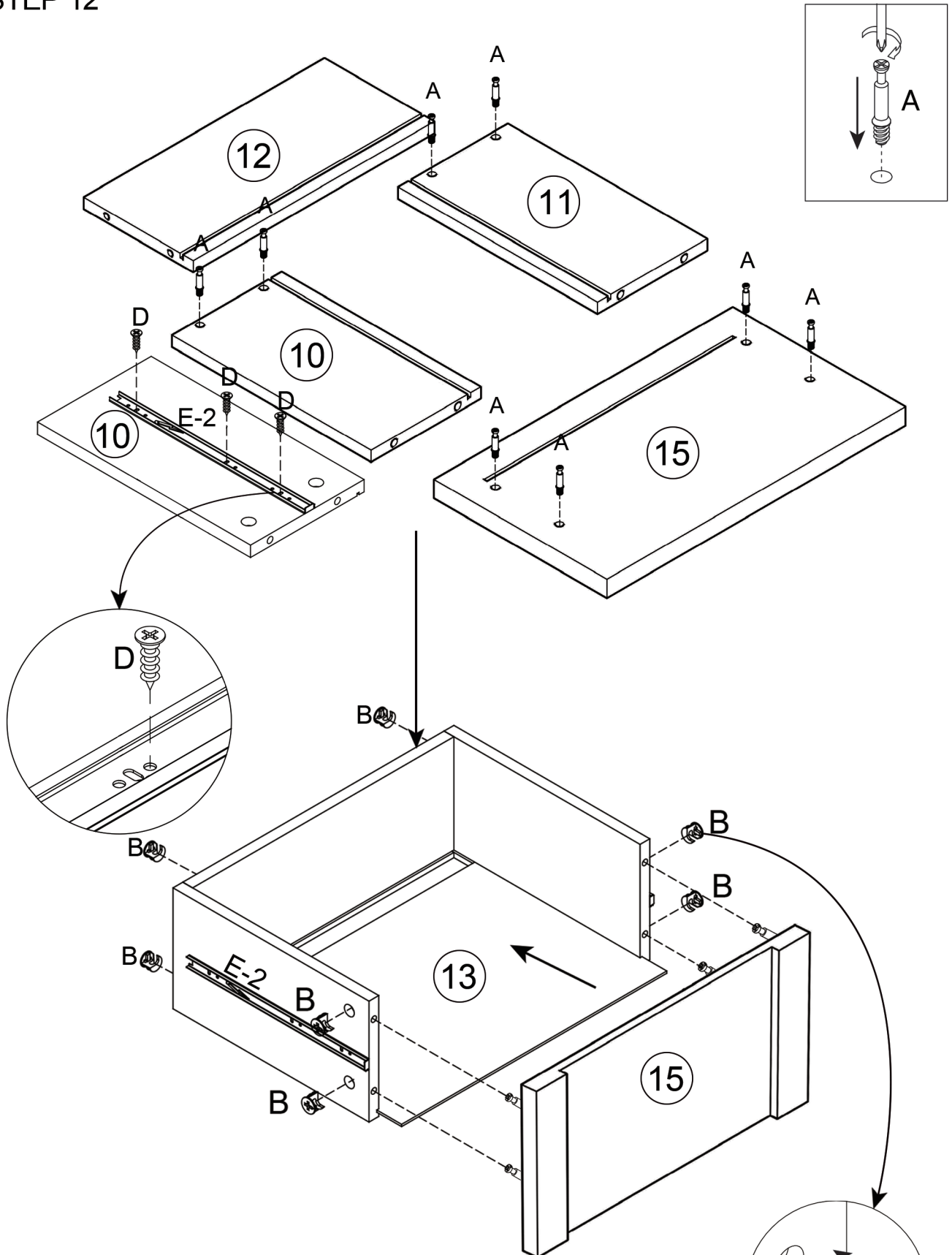
No. D
Quantity: 6Pcs
Screw 4*16mm



No. B
Quantity: 8Pcs
Cam Nut



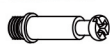
STEP 12



No. E-2
Quantity: 2Pcs
Guide



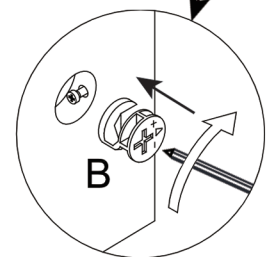
No. A
Quantity: 8Pcs
Cam Bolt



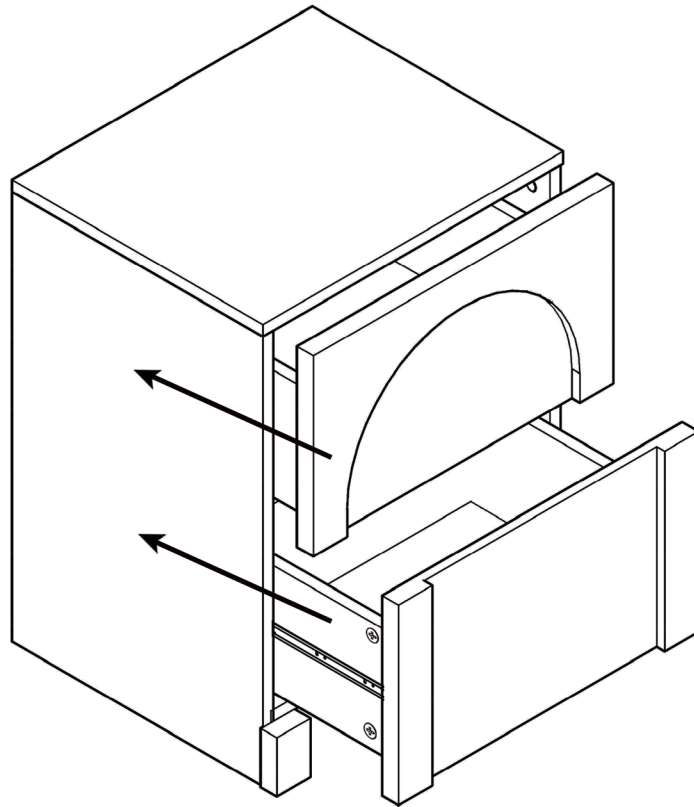
No. D
Quantity: 6Pcs
Screw 4*16mm



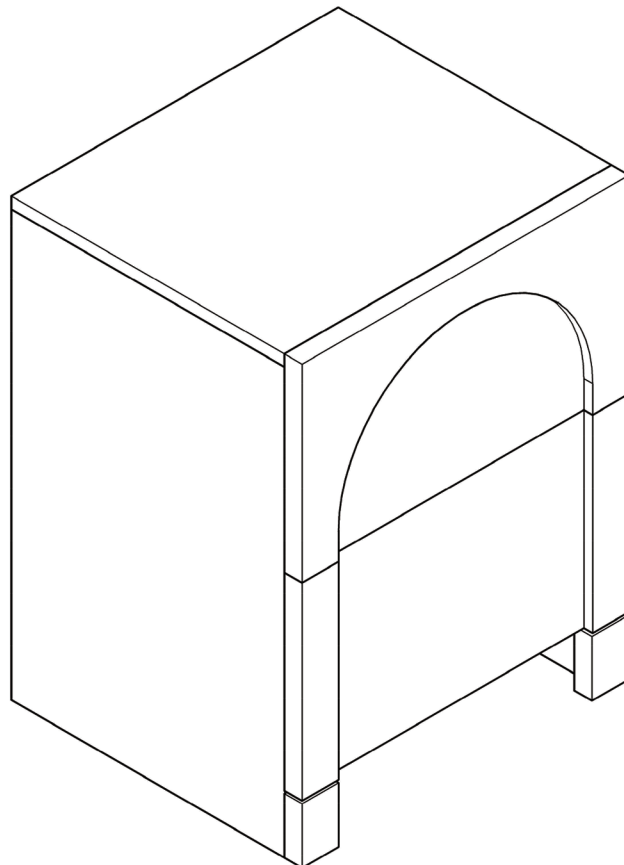
No. B
Quantity: 8Pcs
Cam Nut



STEP 13



STEP 14



lifely.com.au

Great job. You're done!

Don't forget to share how it looks in
your space and tag us on Instagram.

@lifelyhome#homewithlifely!