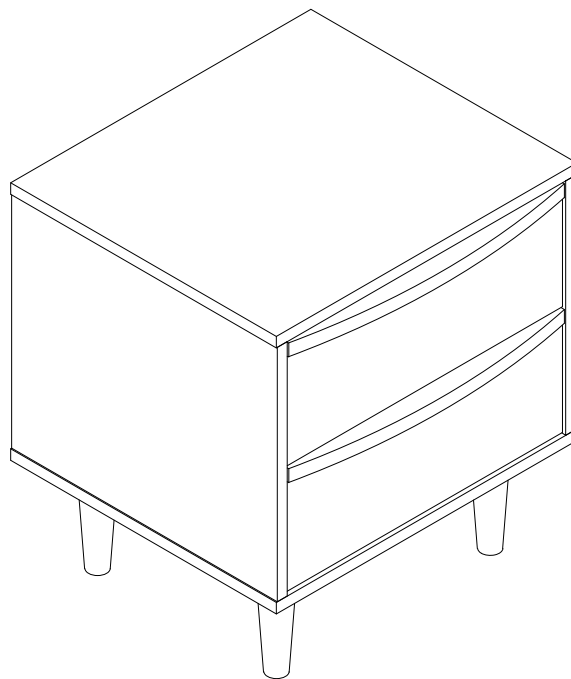


Assembly Instructions

Pam Series



Lifely*

Product Code

PAM-BT-WNT Pam Bedside Table

Dimensions(W x D x H)

450*398*500mm

Important

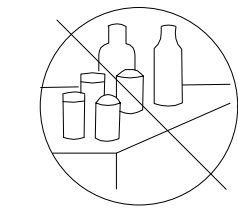
Please read through instruction carefully
Before assembly and keep for future reference.

For our full catalogue of assembly instructions,
Visit: lifely.com.au/assembly.

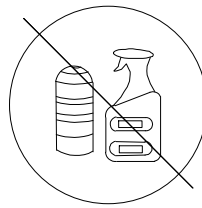
Important Tips and Maintenance



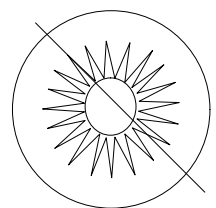
1. Keep children and animals away from working area as smaller parts may cause choking if swallowed.



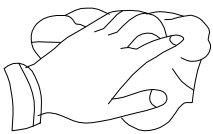
2. Never place liquids or anything damp upon furniture as it will mark. Ensure a coaster or running is beneath.



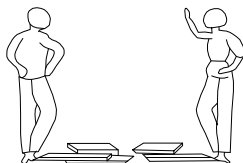
3. Never use ammonia based cleaning products as it will damage the finish.



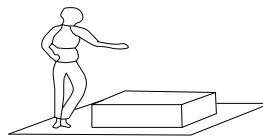
4. To avoid fading, keep furniture out of direct sunlight.



5. Use a soft or damp cloth (dry cloth) when wiping or cleaning surfaces.



6. Two person are required.



7. Lay a soft matt down to protect the furniture piece before and during assembly.

So your relationship is strong. But is it flat-pack furniture strong? Unless you're an aerospace engineer, assembling furniture can be slightly stressful. We recommend meditating quietly, pouring yourself a herbal tea (or slightly less herbal wine) and tackling things one step at a time. If you feel a passive aggressive remark coming on, try a compliment instead. E.g. "You're so good looking"

This 16-step assembly should take around 50 minutes with an Allen Key - or 30 minutes with an electric drill. Godspeed.

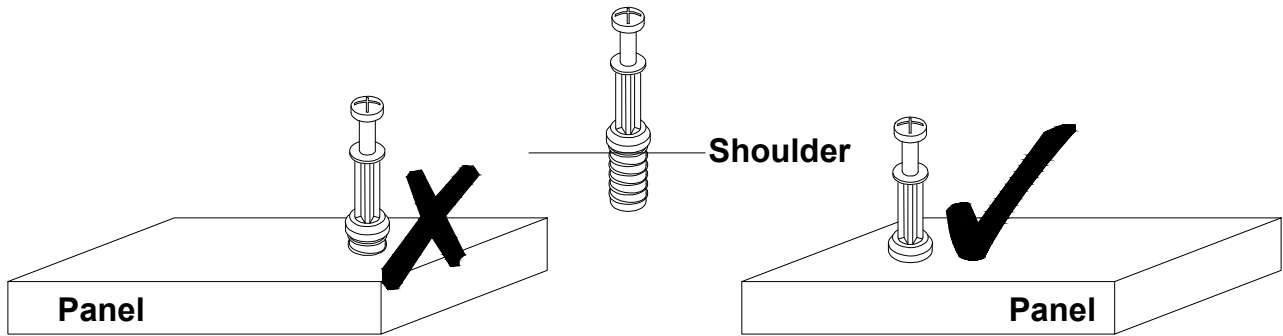
Designed for everyday

Before Assembly

Tips Before Your Start:

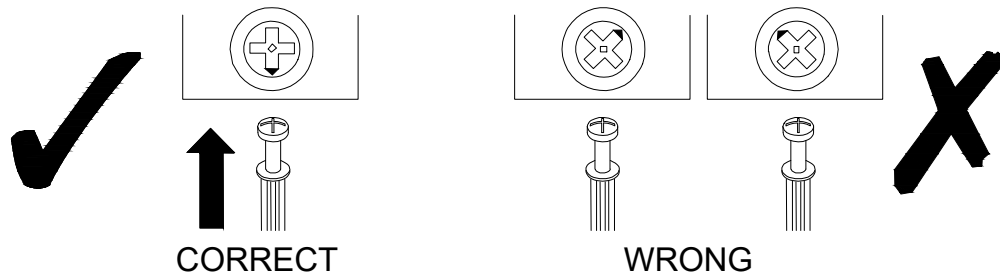
- Remove all wrapping material, including staples & packing straps before you start to assemble.
- DO NOT tighten all screws and bolts until completely assembled.
- Keep all hardware parts out of reach of children.

QUICKFIT



Tighten quickfit until shoulder is flush with panel. Do not overtighten or undertighten.

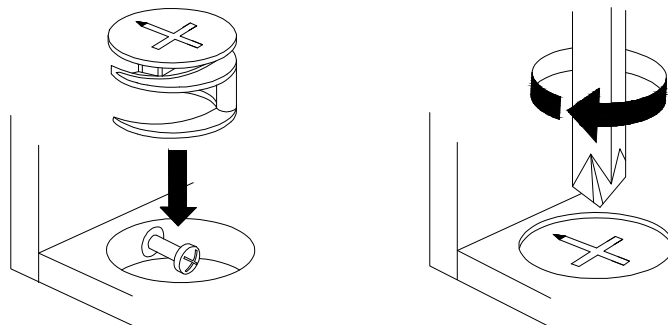
CAM LOCK



When fitting cam lock, ensure starting position is correct before you insert connecting quickfit.

Quickfit head should be in the centre of the cam lock when the two panels are joined.

Cam lock should be inserted before quickfit.



Turn cam lock clockwise to tighten.

Component Hardware

Please check you have all the fittings part or tools are listed in below.

No. A
Quantity:16Pcs
Cam Lock Dowel
8*28mm



No. B
Quantity:12Pcs
Dowel
8*30mm



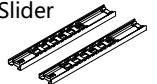
No. C
Quantity:16Pcs
Cam
φ15



No. D
Quantity:4Pcs
Screw
M6*50mm



No. E
Quantity:2 Sets
Drawer Slider
12"



No. F
Quantity:40Pcs
Screw
4*14mm



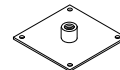
No. G
Quantity:8 Pcs
Screw
4*30mm



No. H
Quantity:4Pcs
Screw
M8*35mm



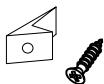
No. I
Quantity:4Pcs
Foot Plate
70*70mm



No. J
Quantity:1Pc
Allen Key
5#



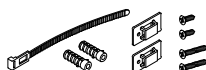
No. K
Quantity:4Pcs
Plastic Wedge



No. L
Quantity:4Pcs
Foot Pad
φ20



No. M
Quantity: 1 Set
Anti-falling Parts



No. N
Quantity:16 Pcs
Sticker
φ20



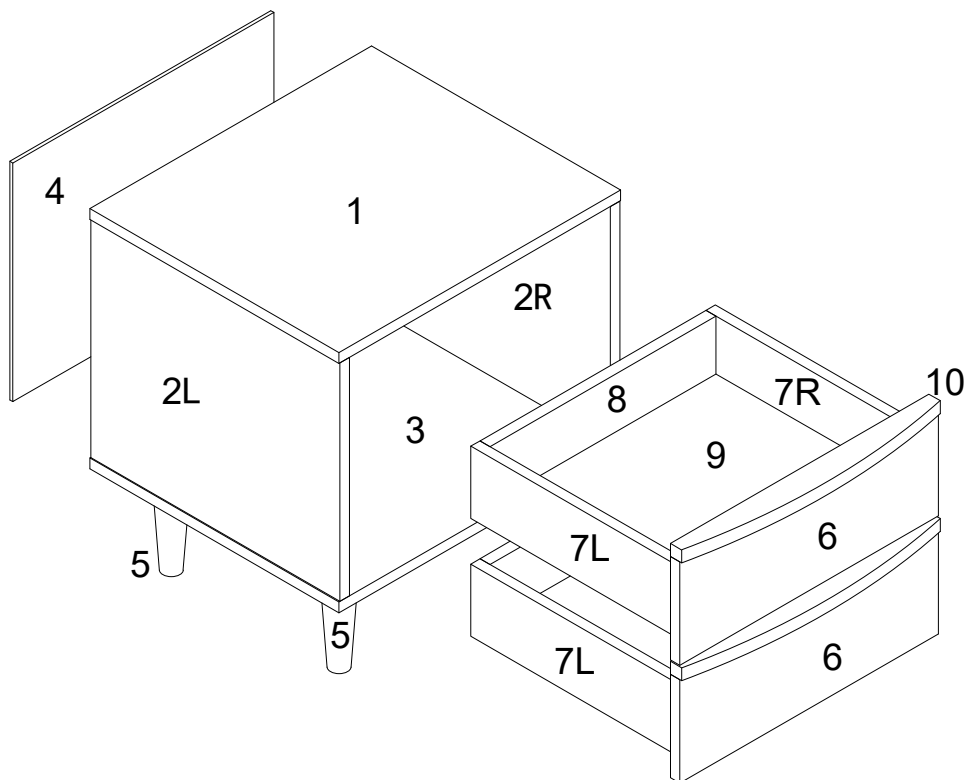
No. O
Quantity:1Pc
Allen Key
4#



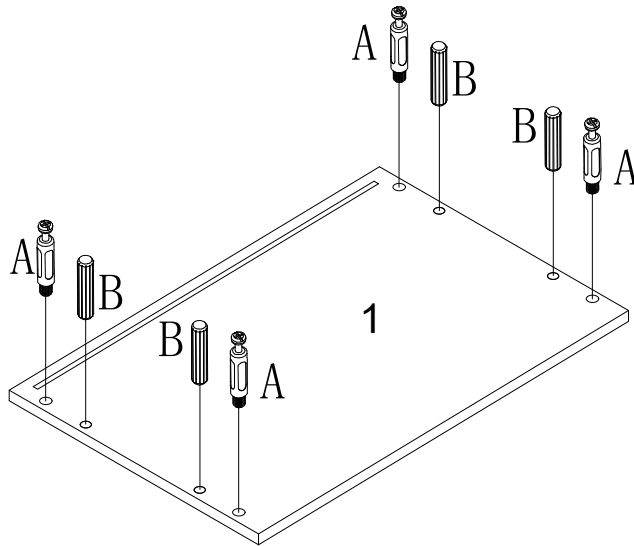
Component Panels & part List

Please check you have all the panels are listed below.

- | | | | | | |
|----------------------|-------|----|-----------------------|-------|----|
| 1. TOP PANEL | ————— | x1 | 6. DRAWER FRONT | ————— | x2 |
| 2L. SIDE PANEL_LEFT | ————— | x1 | 7L. DRAWER SIDE_LEFT | ————— | x2 |
| 2R. SIDE PANEL_RIGHT | ————— | x1 | 7R. DRAWER SIDE_RIGHT | ————— | x2 |
| 3. BOTTOM PANEL | ————— | x1 | 8. DRAWER BACK | ————— | x2 |
| 4. BACK PANEL | ————— | x1 | 9. DRAWER BOTTOM | ————— | x2 |
| 5. LEG | ————— | x4 | 10. HANDLE | ————— | x2 |



STEP 1



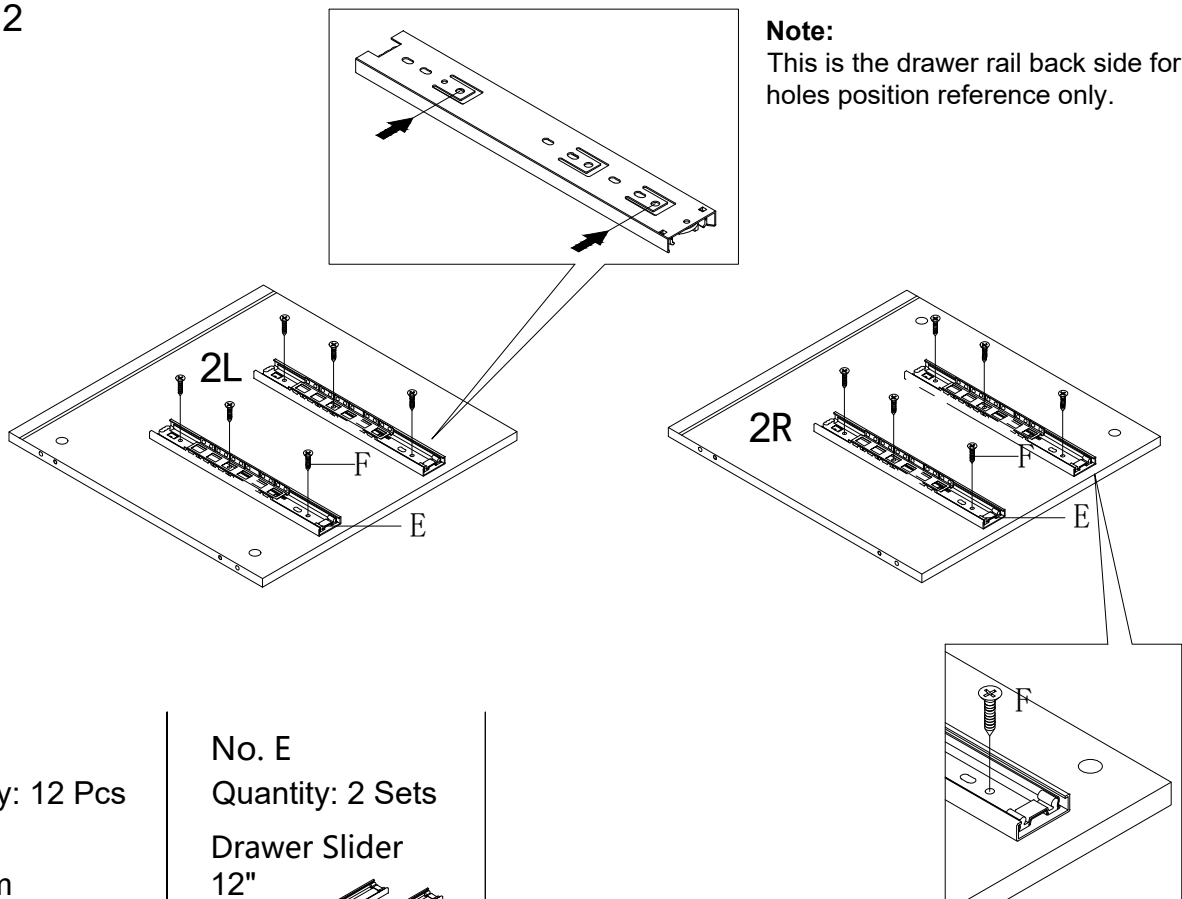
No. A
Quantity: 4 Pcs
Cam Lock Dowel
8*28 mm



No. B
Quantity: 4 Pcs
Dowel
8*30mm



STEP 2

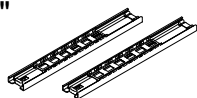


Note:
This is the drawer rail back side for
holes position reference only.

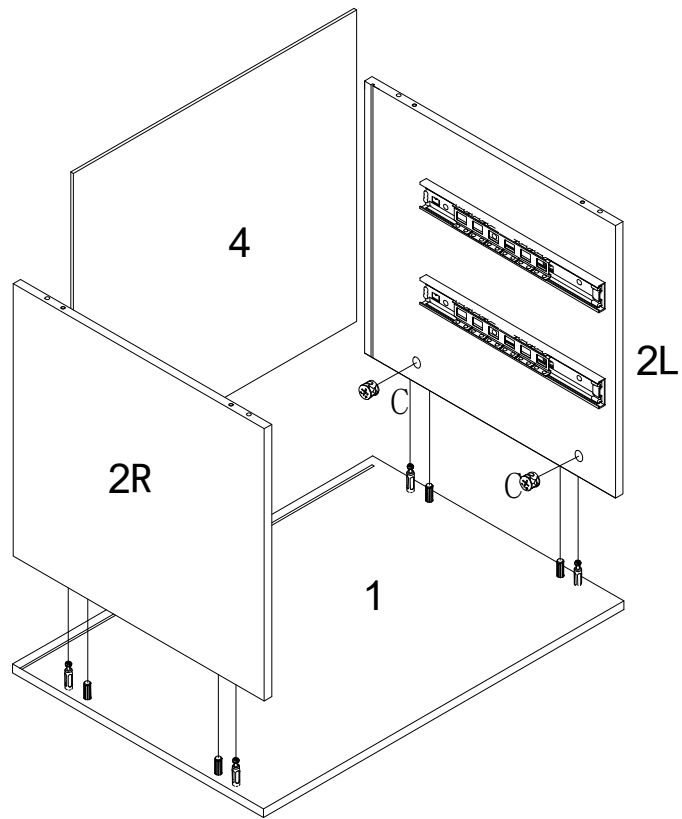
No. F
Quantity: 12 Pcs
Screw
4*14mm



No. E
Quantity: 2 Sets
Drawer Slider
12"



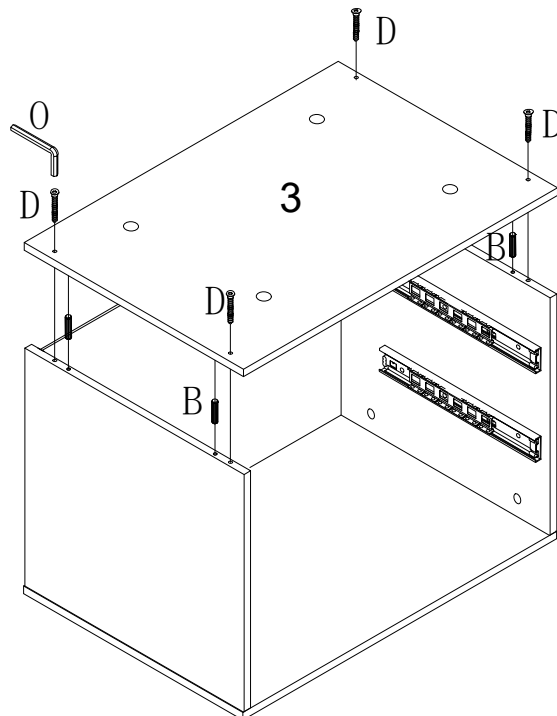
STEP 3



No. C
Quantity: 4 Pcs
Cam Lock
φ15mm



STEP 4



No. D
Quantity: 4 Pcs
Screw
M6*50mm



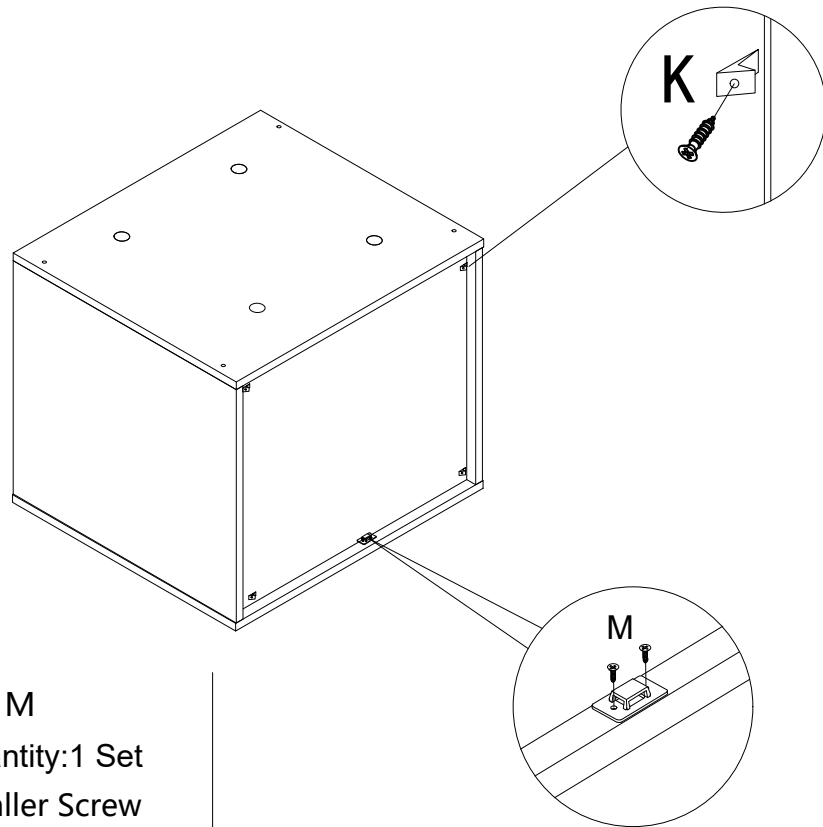
No. B
Quantity: 4 Pcs
Dowel
8*30mm



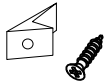
No. O
Quantity: 1Pc
Allen Key
4#



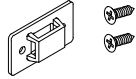
STEP 5



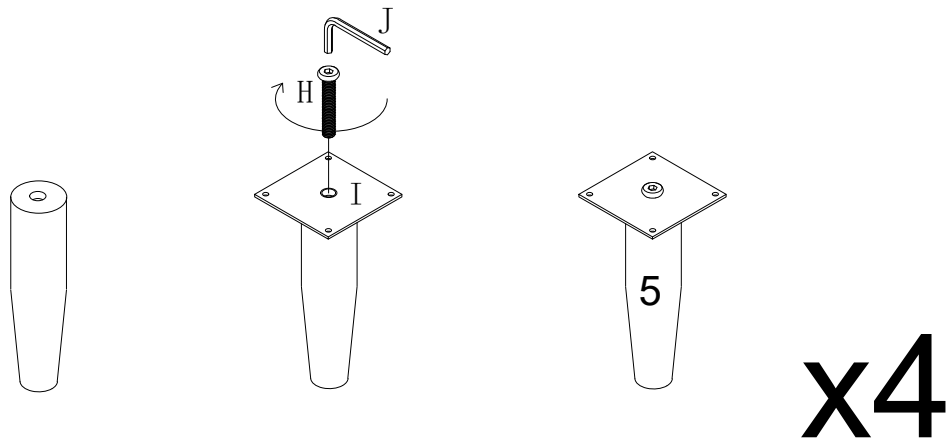
No. K
Quantity: 4 Pcs
Plastic Wedge



No. M
Quantity: 1 Set
Smaller Screw



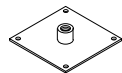
STEP 6



No. H
Quantity: 4 Pcs
Screw
M8*35mm



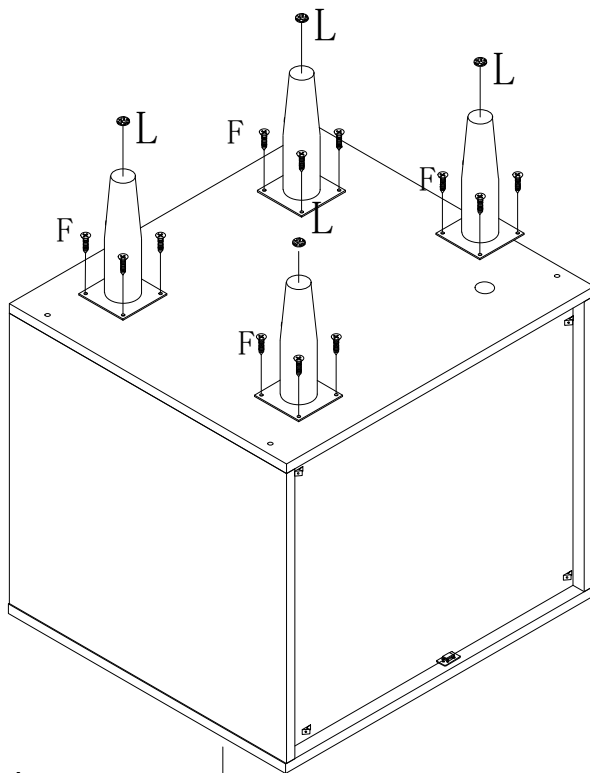
No. I
Quantity: 4 Pcs
Foot Plate



No. J
Quantity: 1 Pc
Allen Key
5#



STEP 7



No. F
Quantity: 16 Pcs

Screw
4*14mm

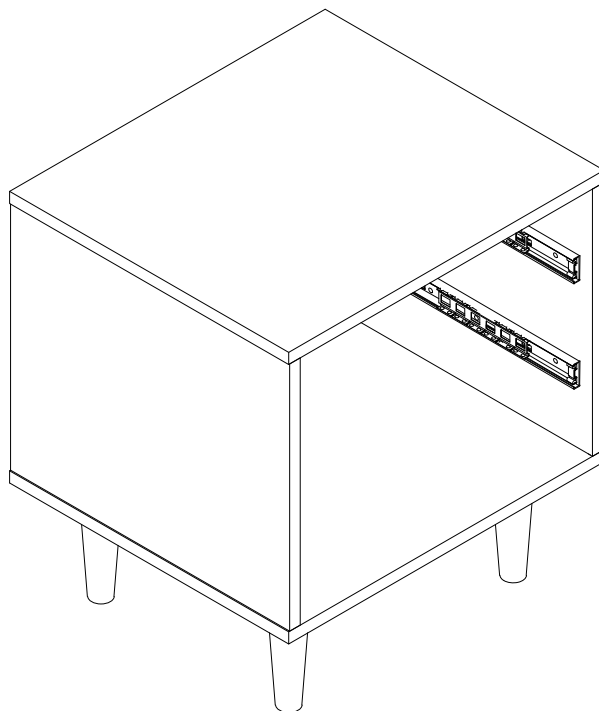


No. L
Quantity: 4 Pcs

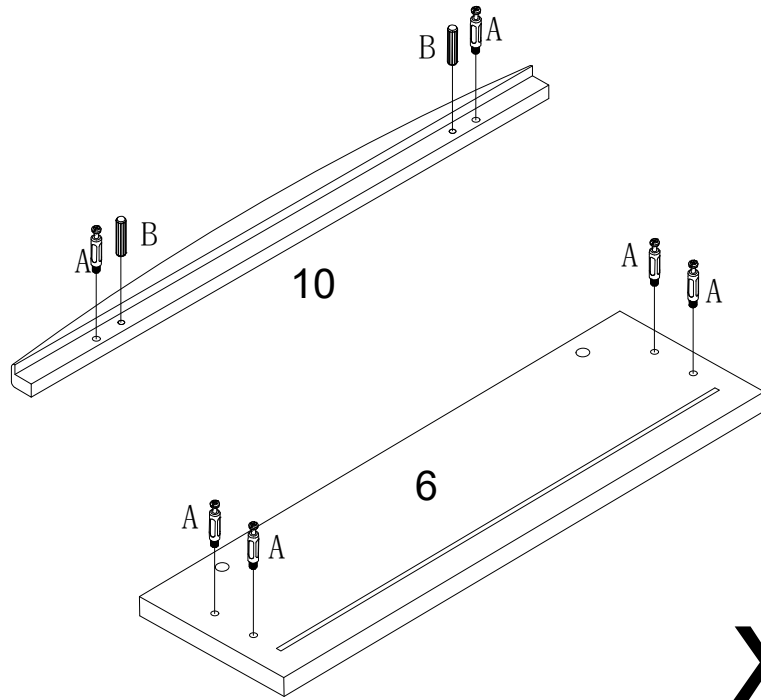
Foot Pad
φ20



STEP 8



STEP 9



No. A

Quantity: 12 Pcs

Cam Lock Dowel
8*28 mm



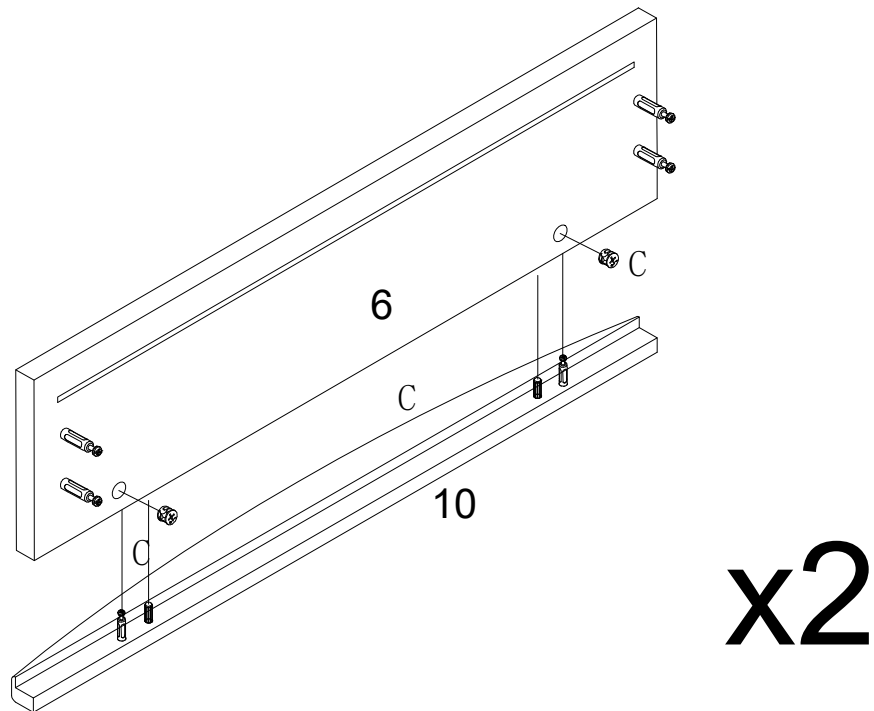
No. B

Quantity: 4Pcs

Dowel
8*30mm



STEP 10



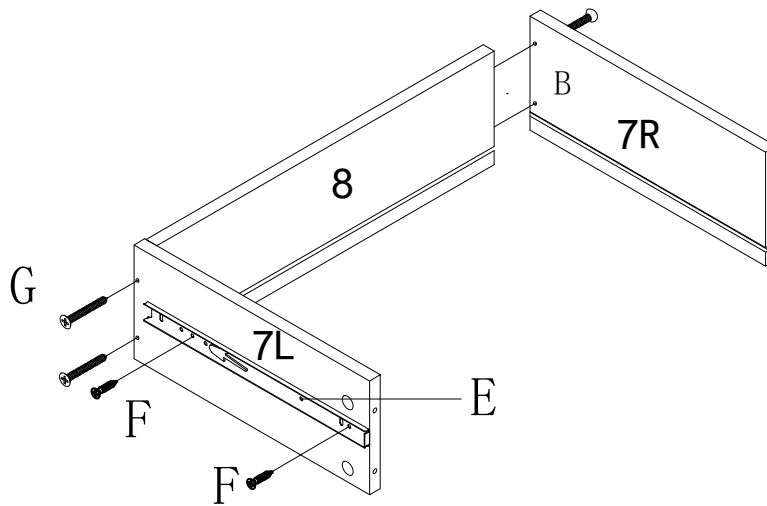
No. C

Quantity: 4 Pcs

Cam Lock
φ15mm



STEP 11

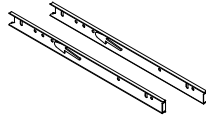


x2

No. F
Quantity: 12 Pcs
Screw
4*14mm



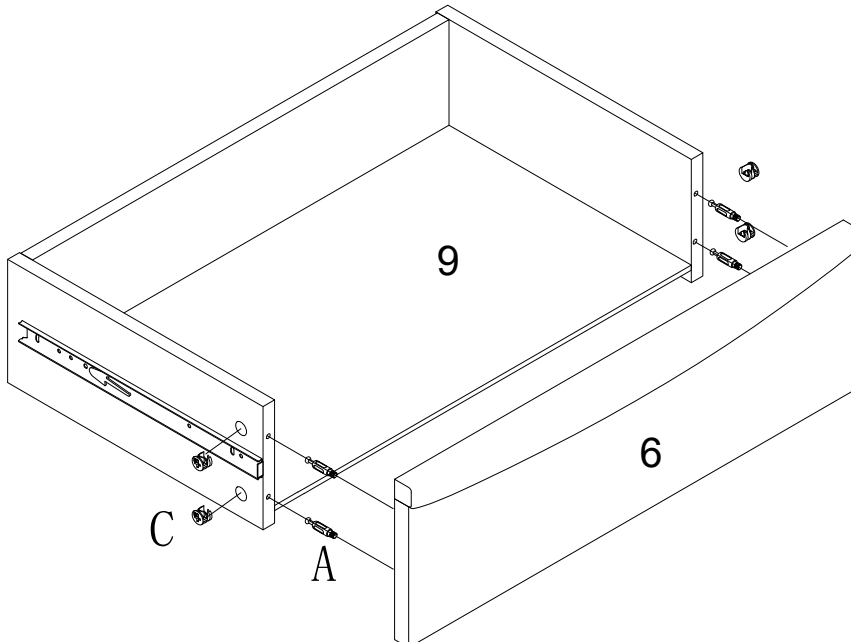
No. E
Quantity: 2 Sets
Drawer Slider
12"



No. G
Quantity: 8 Pcs
Screw
4*30mm



STEP 12

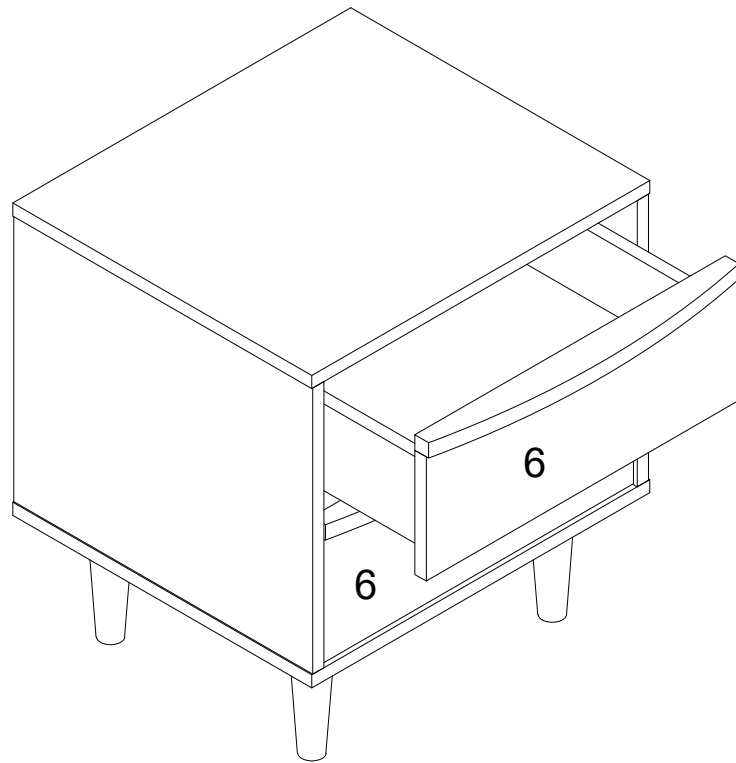


x2

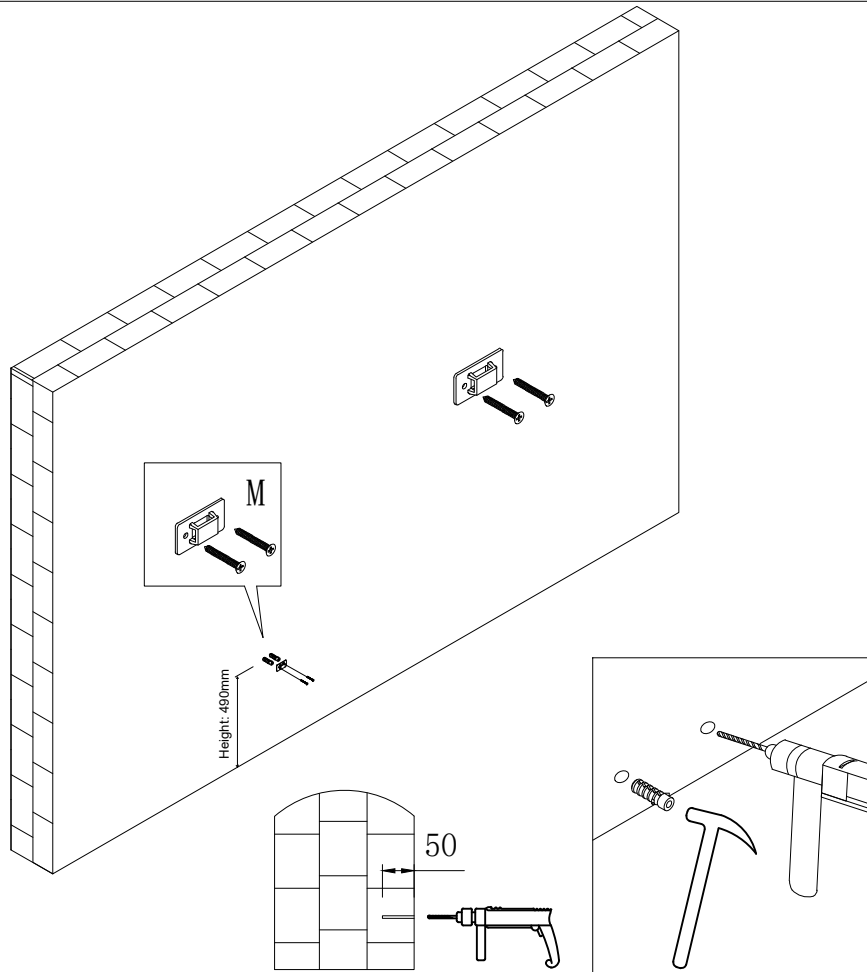
No. C
Quantity: 8 Pcs
Cam Lock



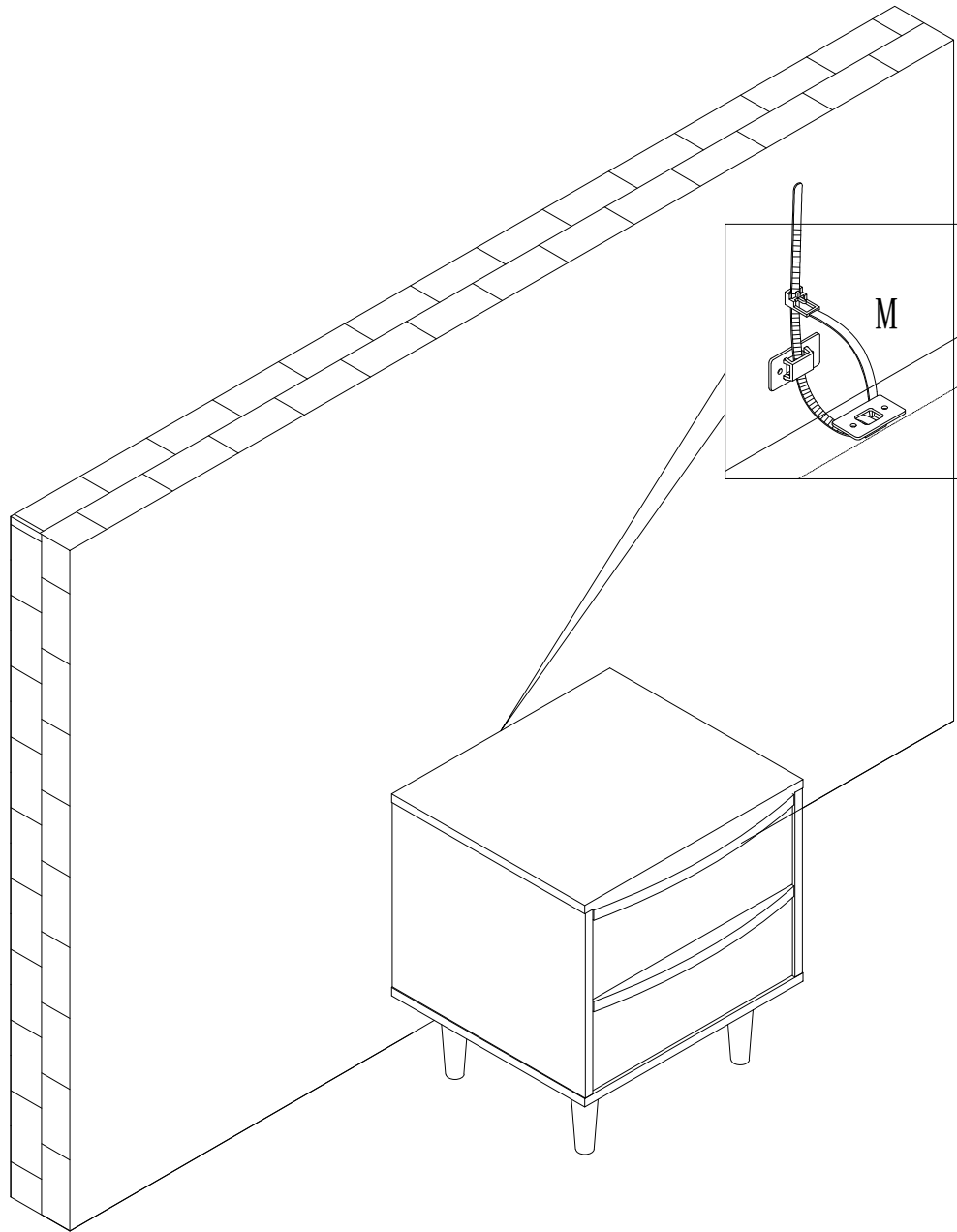
STEP 14



STEP 15



STEP 16



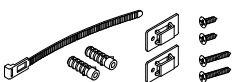
Note:

Please lift up the furniture by two people when moving is needed.
Dragging may cause the legs failure.

No. M

Quantity: 1 Set

Anti-falling Parts



lifely.com.au

Great job. You're done!

Don't forget to share how it looks in
your space and tag us on Instagram.
[@lifelyhome](#)[#homewithlifely!](#)