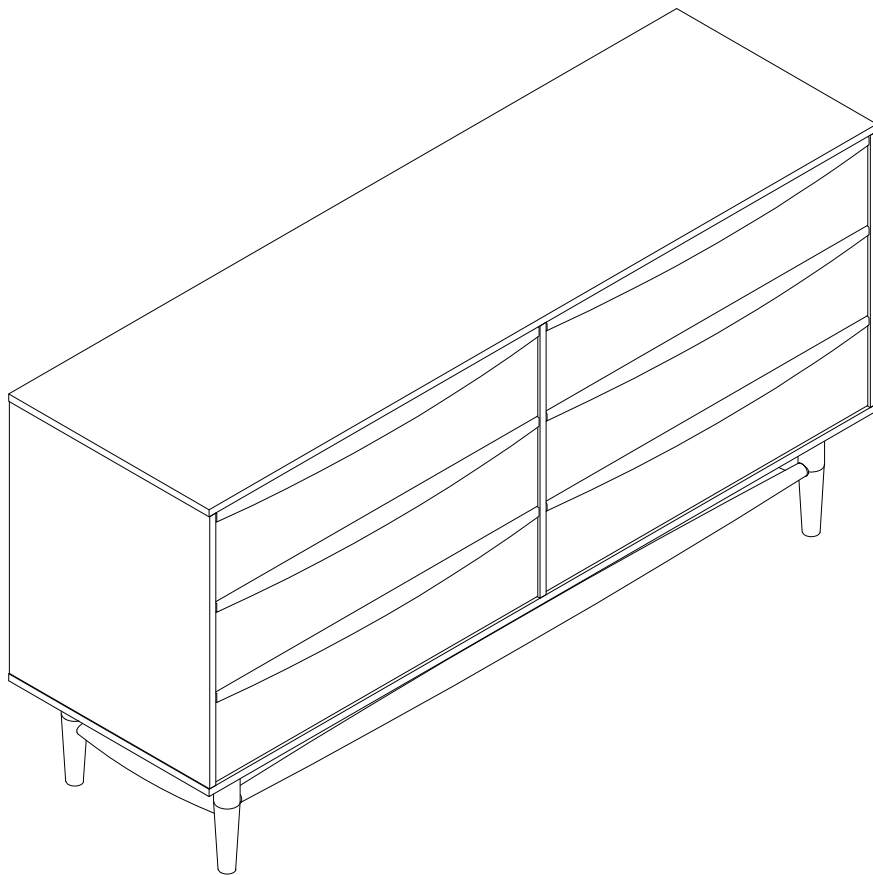


Assembly Instructions

Pam Series



Lifely*

Product Code

PAM-6DC160-WNT Pam 6 Chest of Drawers

Dimensions(W x D x H)

1600*480*825mm

Important

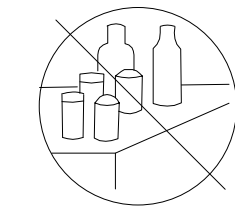
Please read through instruction carefully
Before assembly and keep for future reference.

For our full catalogue of assembly instructions,
Visit: lifely.com.au/assembly.

Important Tips and Maintenance



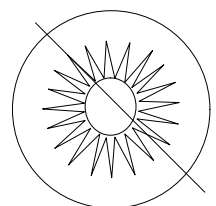
1. Keep children and animals away from working area as smaller parts may cause choking if swallowed.



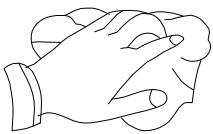
2. Never place liquids or anything damp upon furniture as it will mark. Ensure a coaster or running is beneath.



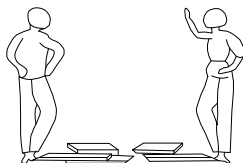
3. Never use ammonia based cleaning products as it will damage the finish.



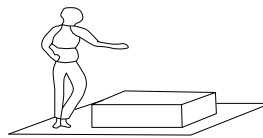
4. To avoid fading, keep furniture out of direct sunlight.



5. Use a soft or damp cloth (dry cloth) when wiping or cleaning surfaces.



6. Two person are required.



7. Lay a soft matt down to protect the furniture piece before and during assembly.

So your relationship is strong. But is it flat-pack furniture strong? Unless you're an aerospace engineer, assembling furniture can be slightly stressful. We recommend meditating quietly, pouring yourself a herbal tea(or slightly less herbal wine) and tackling things one step at a time.If you feel a passive aggressive remark coming on, try a compliment instead.E.g. "You're so good looking"

This 19-step assembly should take around 2.5 hours with an Allen Key - or 1.5 Hour with and electric drill. Godspeed.

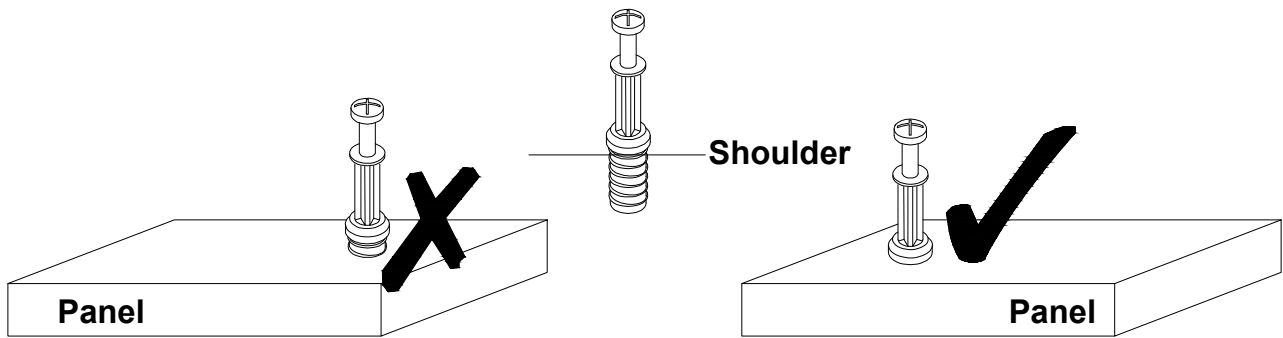
Designed for everyday

Before Assembly

Tips Before Your Start:

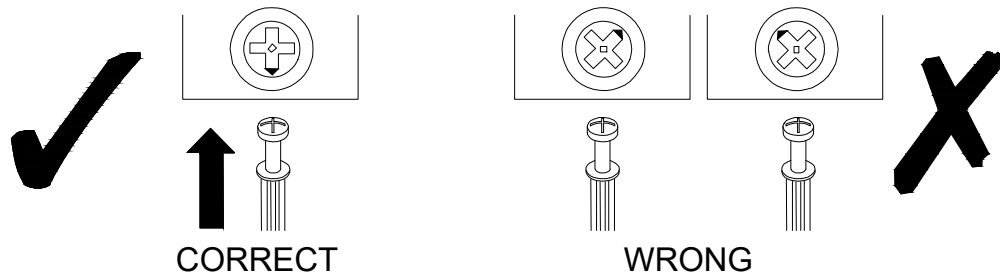
- Remove all wrapping material, including staples & packing straps before you start to assemble.
- DO NOT tighten all screws and bolts until completely assembled.
- Keep all hardware parts out of reach of children.

QUICKFIT



Tighten quickfit until shoulder is flush with panel. Do not overtighten or undertighten.

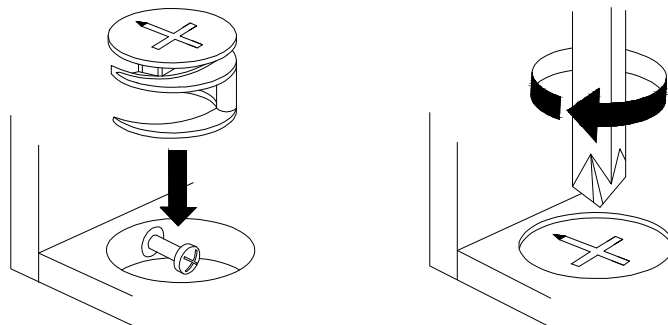
CAM LOCK



When fitting cam lock, ensure starting position is correct before you insert connecting quickfit.

Quickfit head should be in the centre of the cam lock when the two panels are joined.

Cam lock should be inserted before quickfit.



Turn cam lock clockwise to tighten.

Component Hardware

Please check you have all the fittings part or tools are listed in below.

No. A
Quantity:70Pcs
Cam Lock Dowel
8*28mm



No. B
Quantity:36Pcs
Dowel
8*30mm



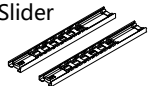
No. C
Quantity:70Pcs
Cam
φ15



No. D
Quantity:8Pcs
Screw
M6*50mm



No. E
Quantity:6Sets
Drawer Slider
12"



No. F
Quantity:90Pcs
Screw
4*14mm



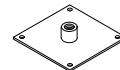
No. G
Quantity:2Pcs
Full Thread Screw
M6*40mm



No. H
Quantity:4Pcs
Screw
M8*35mm



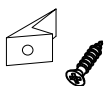
No. I
Quantity:4Pcs
Foot Plate
70*70mm



No. J
Quantity:1Pc
Allen Key
5#



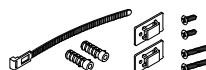
No. K
Quantity:4Pcs
Plastic Wedge



No. L
Quantity:4Pcs
Foot Pad
φ20



No. M
Quantity:2Sets
Anti-falling Parts



No. N
Quantity:64Pcs
Sticker
φ20



No. O
Quantity:1Pc
Allen Key
4#



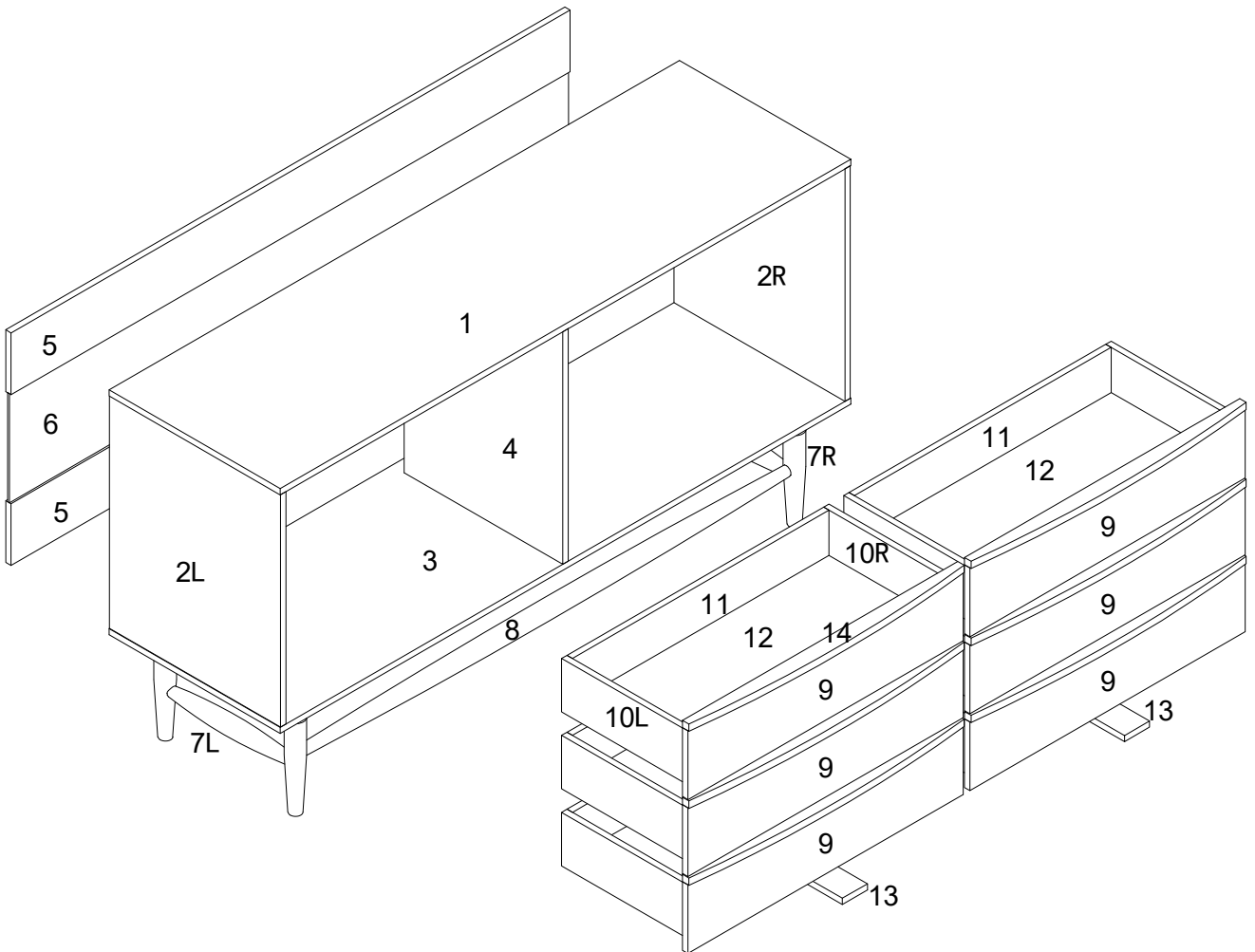
No. P
Quantity:36 Pcs
Screw
4*30mm



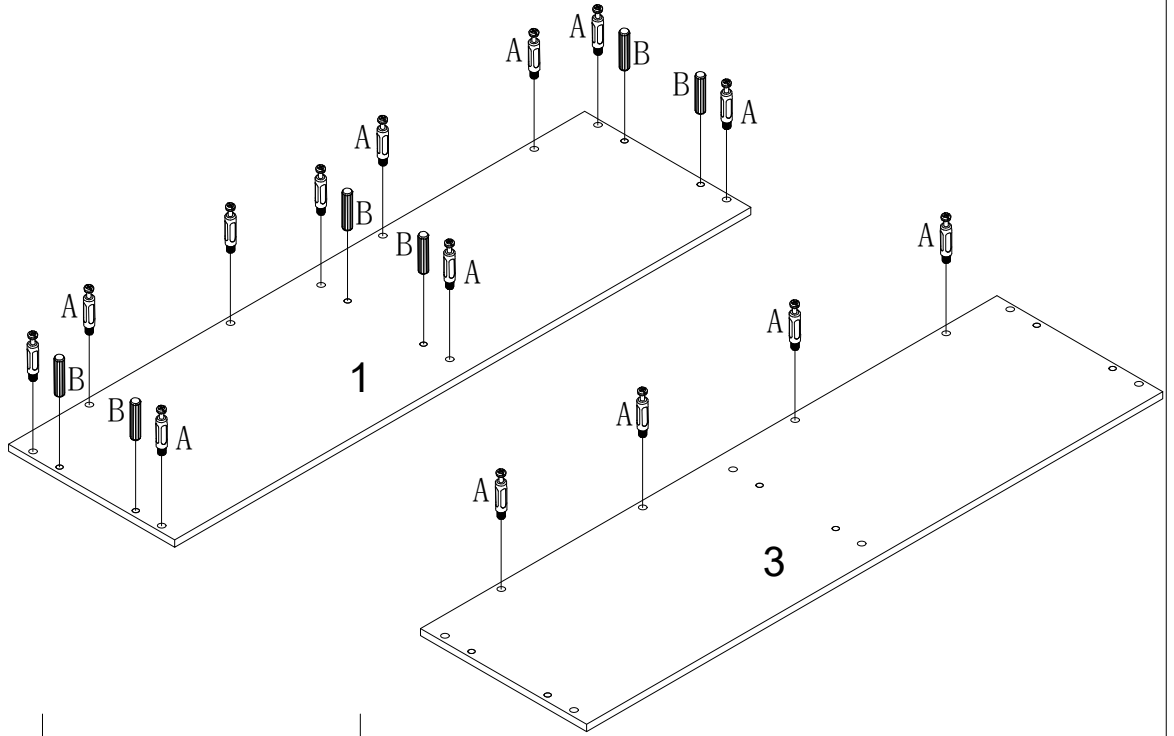
Component Panels & part List

Please check you have all the panels are listed below.

- | | | | | | | | |
|----------------------|-------|----|--------|------------------------|-------|----|--------|
| 1. TOP PANEL | ————— | x1 | CTN1/3 | 8. CROSSBAR | ————— | x1 | CTN1/3 |
| 2L. SIDE PANEL_LEFT | ———— | x1 | CTN2/3 | 9. DRAWER FRONT | ————— | x6 | CTN3/3 |
| 2R. SIDE PANEL_RIGHT | ———— | x1 | CTN2/3 | 10L. DRAWER SIDE_LEFT | ———— | x6 | CTN2/3 |
| 3. BOTTOM PANEL | ————— | x1 | CTN1/3 | 10R. DRAWER SIDE_RIGHT | ———— | x6 | CTN2/3 |
| 4. CENTRE PANEL | ————— | x1 | CTN2/3 | 11. DRAWER BACK | ————— | x6 | CTN3/3 |
| 5. BACK BRACE PANEL | ———— | x2 | CTN1/3 | 12. DRAWER BOTTOM | ————— | x6 | CTN3/3 |
| 6. BACK PANEL | ————— | x1 | CTN1/3 | 13. DRAWER BRACE PANEL | ———— | x6 | CTN2/3 |
| 7L. LEFT LEG | ————— | x1 | CTN2/3 | 14. HANDLE | ————— | x6 | CTN3/3 |
| 7R. RIGHT LEG | ————— | x1 | CTN2/3 | | | | |



STEP 1



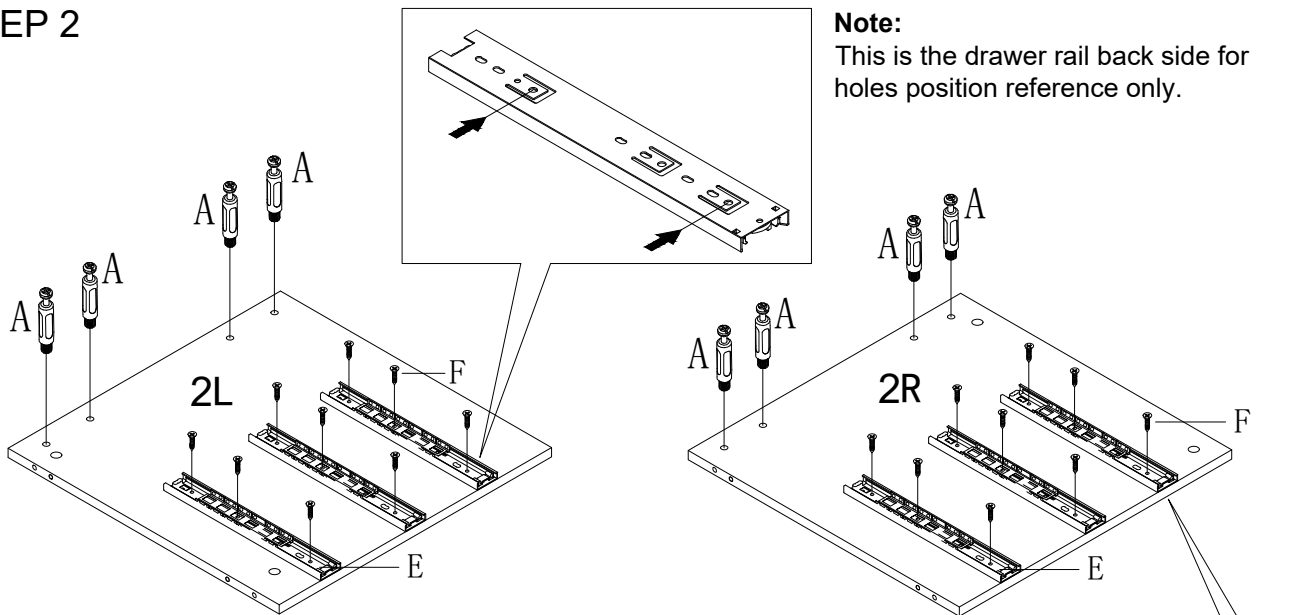
No. A
Quantity: 14 Pcs
Cam Lock Dowel
8*28 mm



No. B
Quantity: 6 Pcs
Dowel
8*30mm



STEP 2



Note:
This is the drawer rail back side for
holes position reference only.

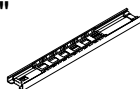
No. A
Quantity: 8 Pcs
Cam Lock Dowel
8*28 mm



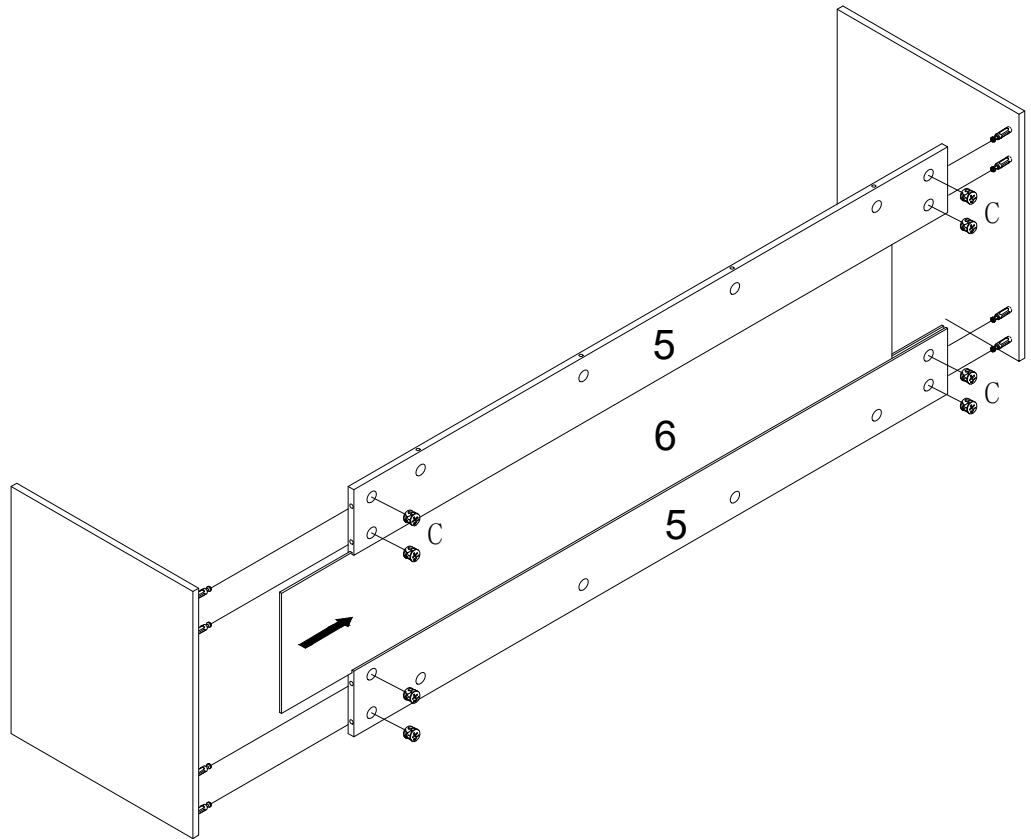
No. F
Quantity: 18 Pcs
Screw
4*14mm



No. E
Quantity: 6 Pcs
Drawer Slider
12"



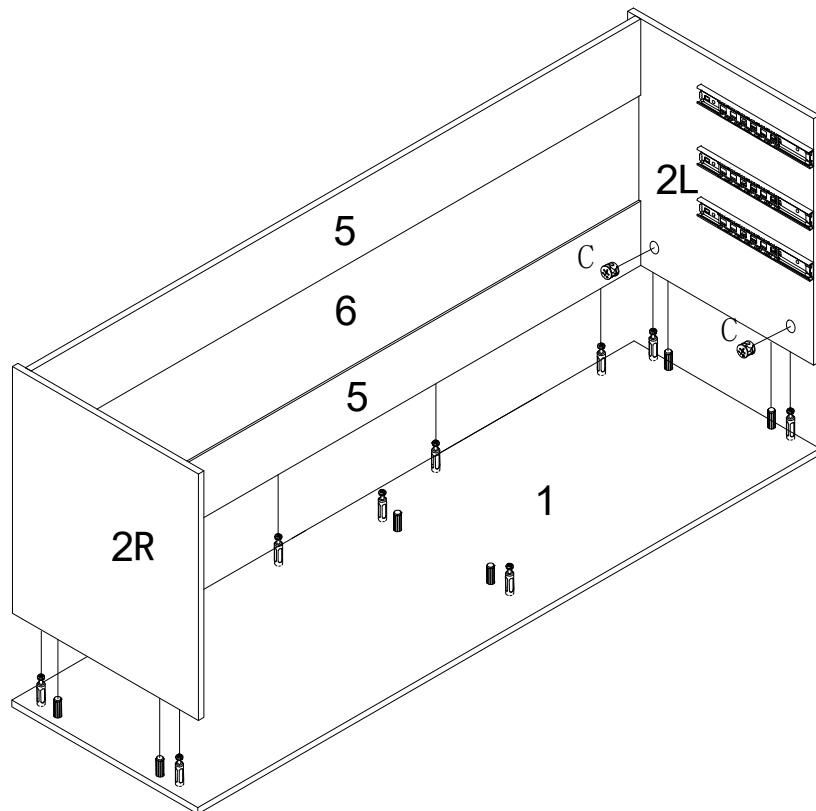
STEP 3



No. C
Quantity: 8 Pcs
Cam Lock
φ15mm



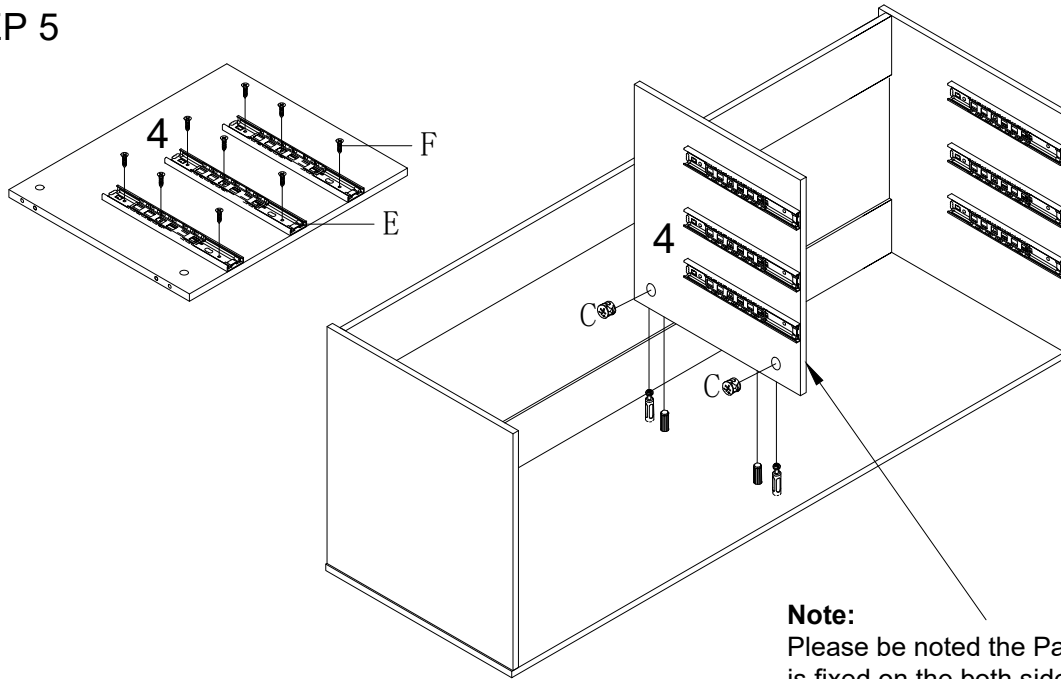
STEP 4



No. C
Quantity: 8 Pcs
Cam Lock
φ15mm



STEP 5



Note:

Please be noted the Part E drawer slider is fixed on the both sides of the Part 4.

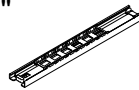
No. C
Quantity: 2 Pcs
Cam Lock
φ15mm



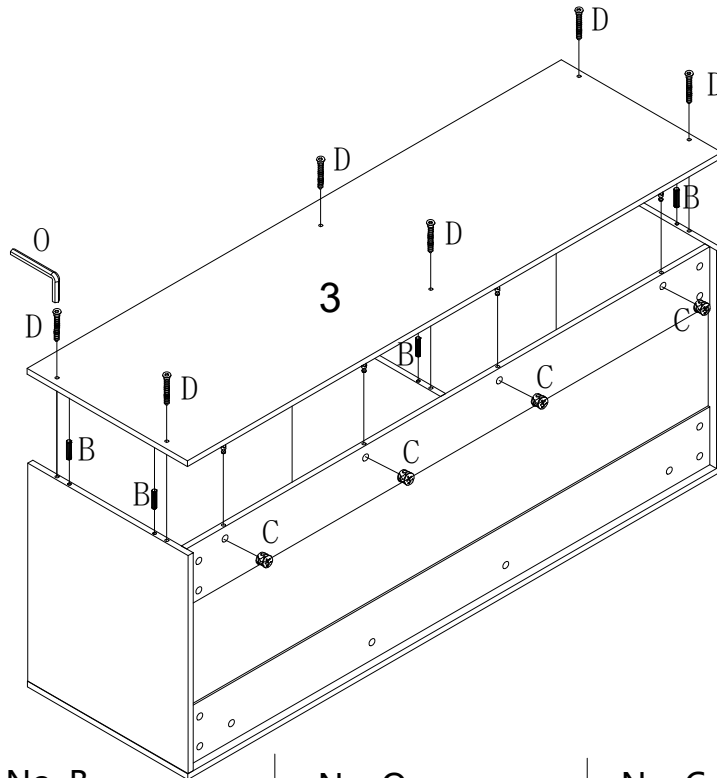
No. F
Quantity: 18 Pcs
Screw
4*14mm



No. E
Quantity: 6 Pcs
Drawer Slider
12"



STEP 6



No. D
Quantity: 6 Pcs
Screw
M6*50mm



No. B
Quantity: 6 Pcs
Dowel
8*30mm



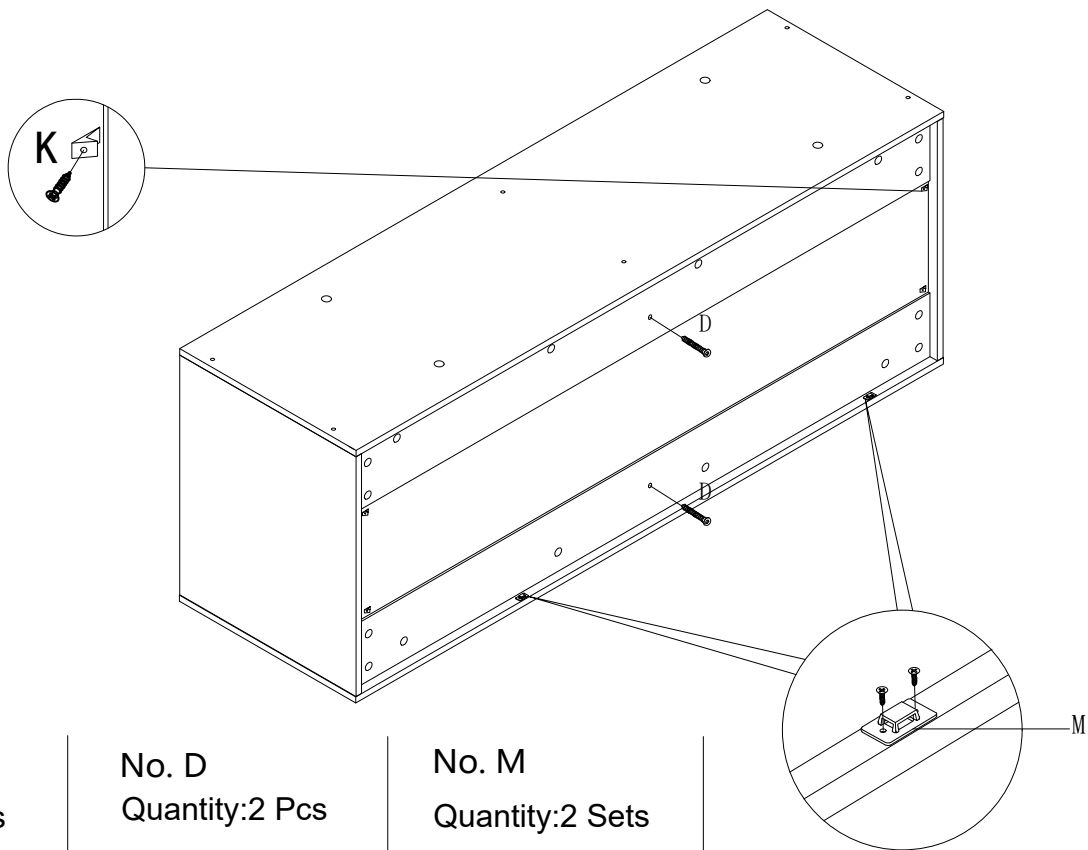
No. O
Quantity: 1Pc
Allen Key
4#



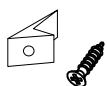
No. C
Quantity: 4 Pcs
Cam Lock
φ15mm



STEP 7



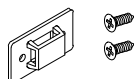
No. K
Quantity:4 Pcs
Plastic Wedge



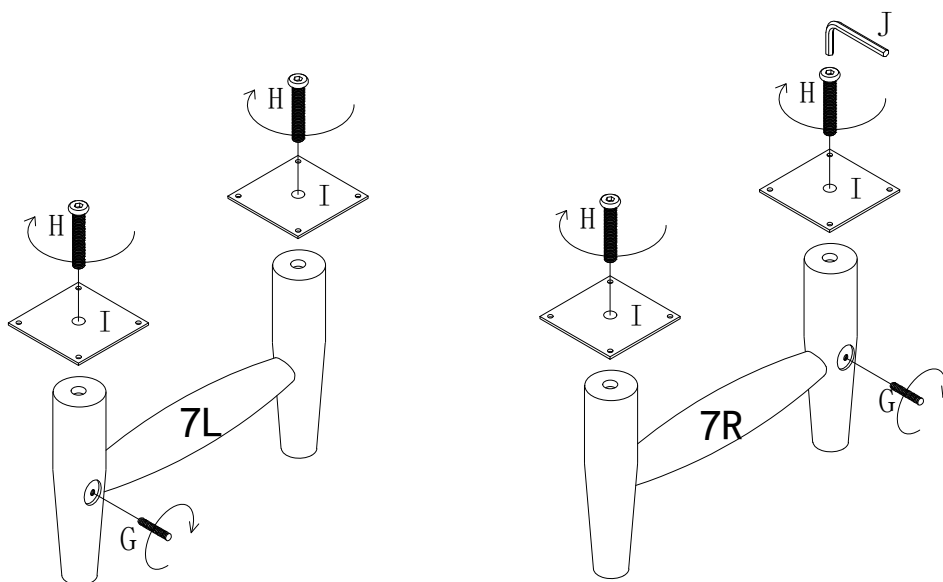
No. D
Quantity:2 Pcs
Screw
M6*50mm



No. M
Quantity:2 Sets
Smaller Screw



STEP 8



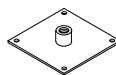
No. G
Quantity: 2 Pcs
Full Thread Screw
M6*40mm



No. H
Quantity:4 Pcs
Screw
M8*35mm



No. I
Quantity:4 Pcs
Foot Plate

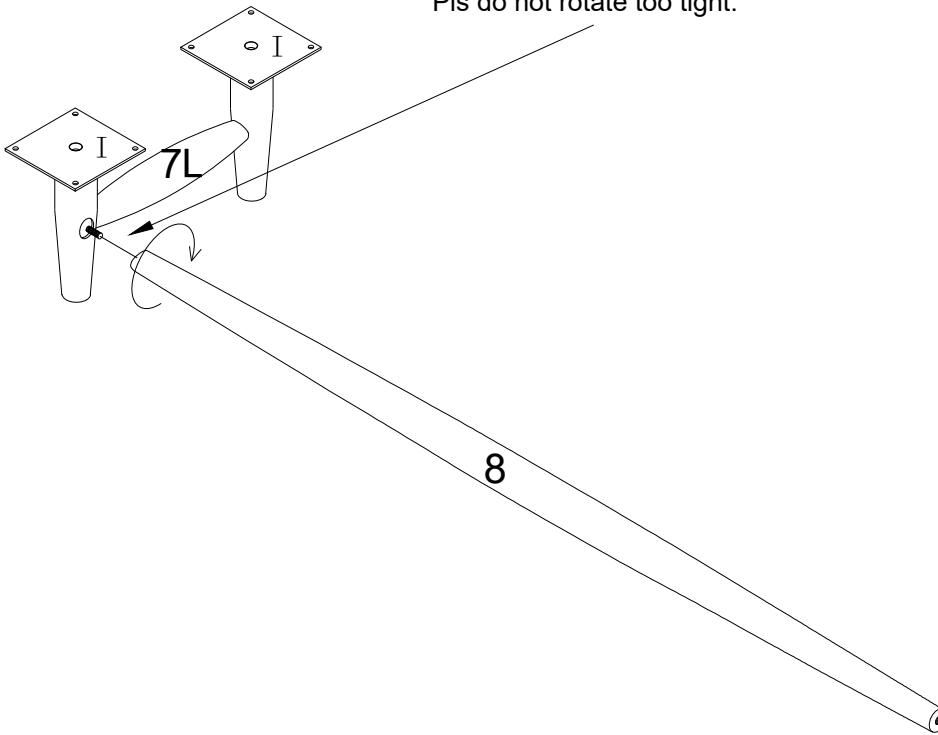


No. J
Quantity:1 Pc
Allen Key
5#

STEP 9

Note:

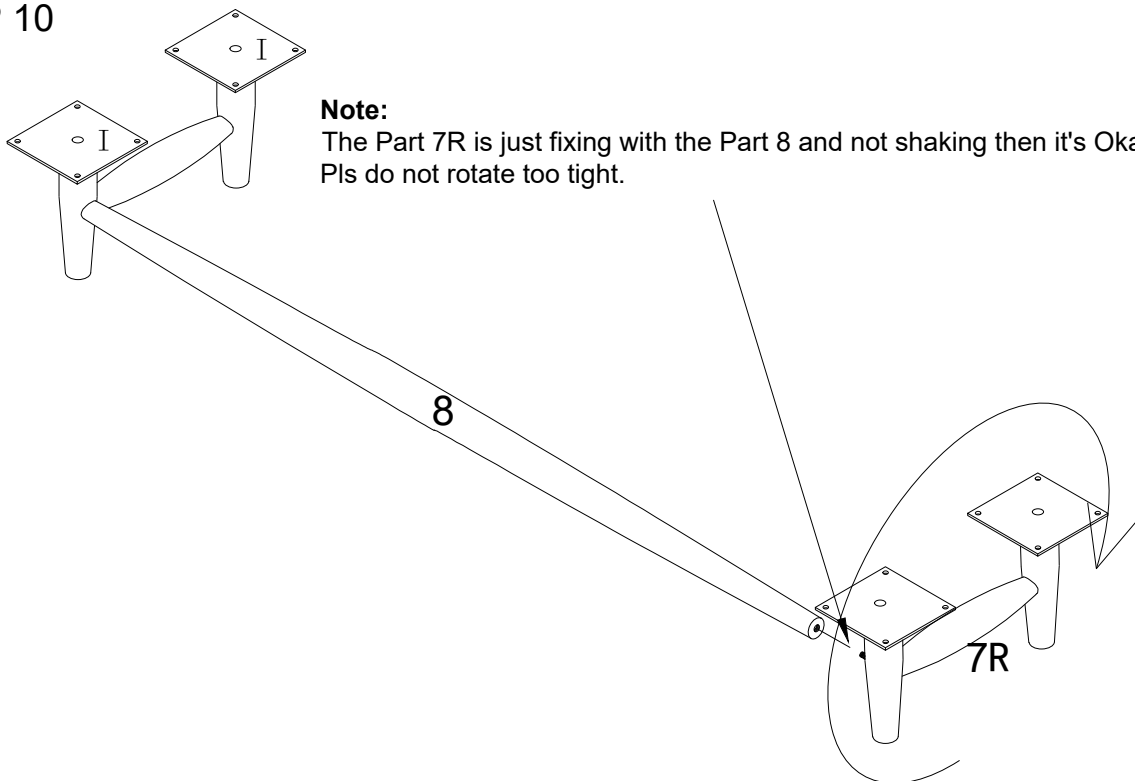
The Part 7L is just fixing with the Part 8 and not shaking then it's Okay.
Pls do not rotate too tight.



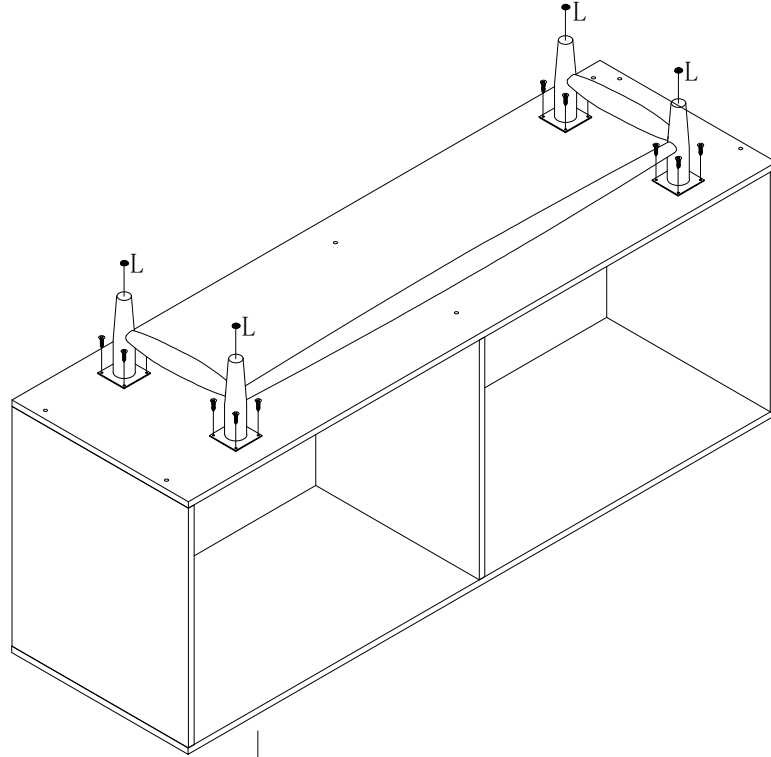
STEP 10

Note:

The Part 7R is just fixing with the Part 8 and not shaking then it's Okay.
Pls do not rotate too tight.



STEP 11



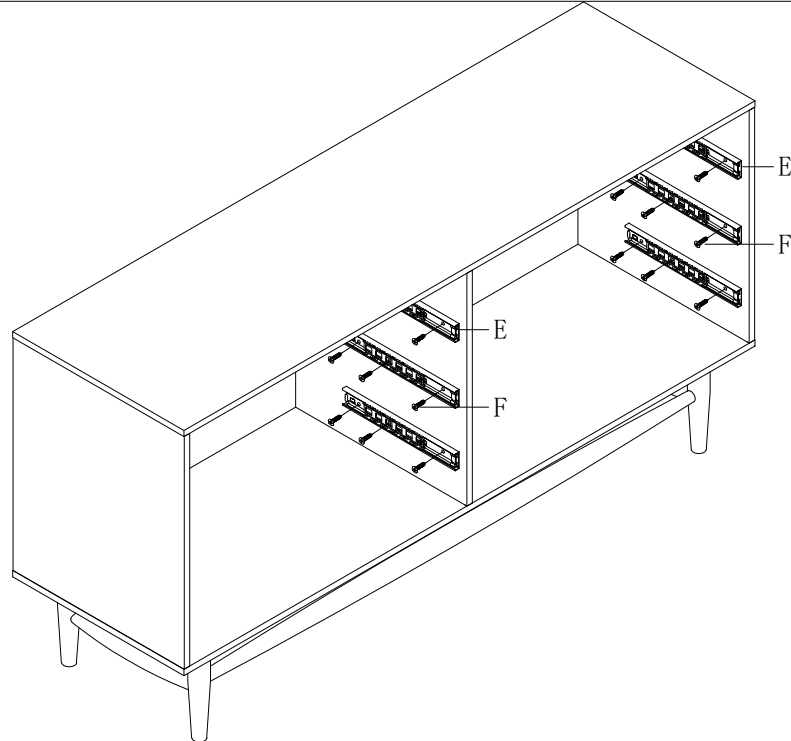
No. F
Quantity: 16 Pcs
Screw
4*14mm



No. L
Quantity: 4 Pcs
Foot Pad
φ20



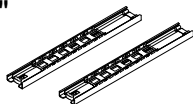
STEP 12



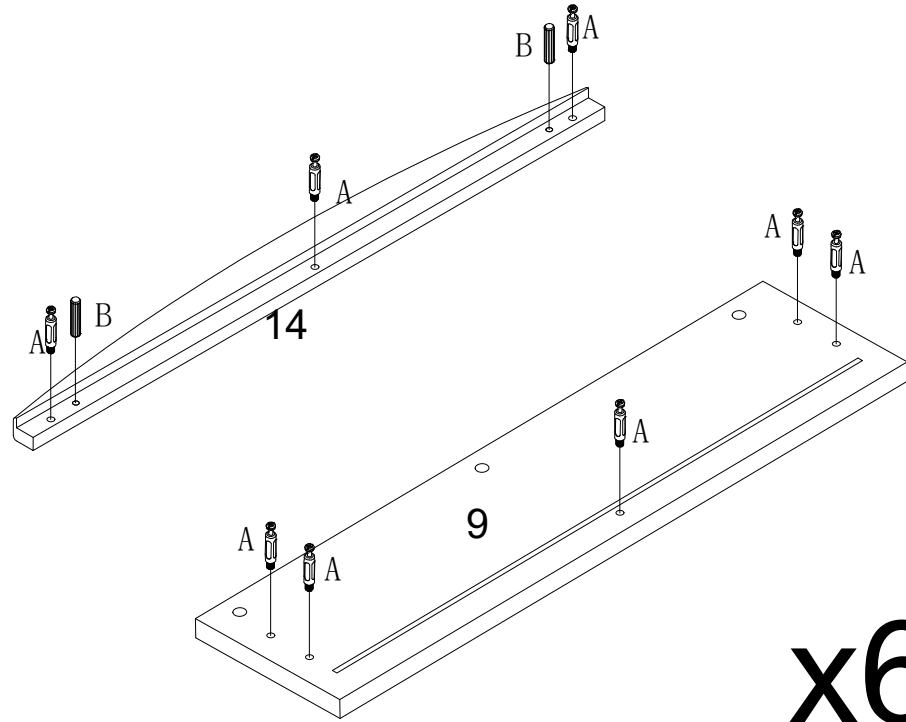
No. F
Quantity: 36 Pcs
Screw
4*14mm



No. E
Quantity: 6 Sets
Drawer Slider
12"



STEP 13



x6

No. A

Quantity: 48 Pcs

Cam Lock Dowel
8*28 mm



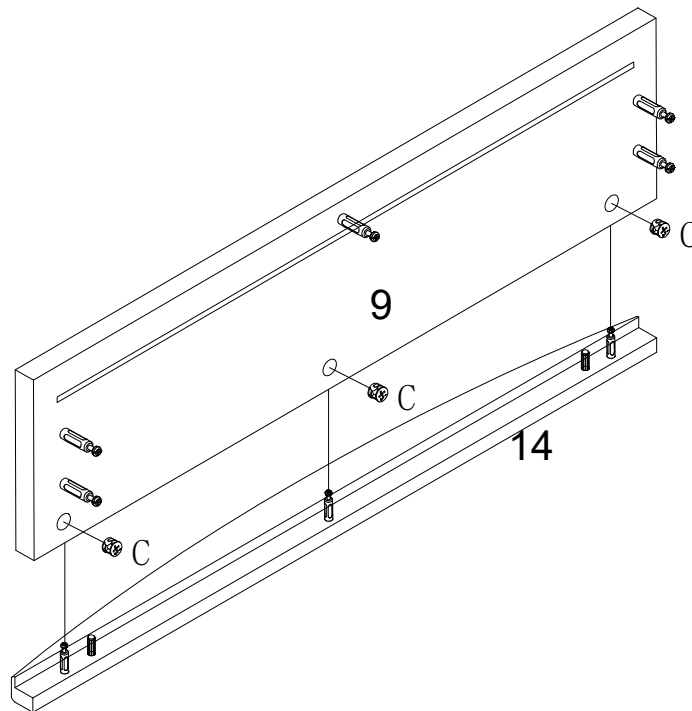
No. B

Quantity: 12Pcs

Dowel
8*30mm



STEP 14



x6

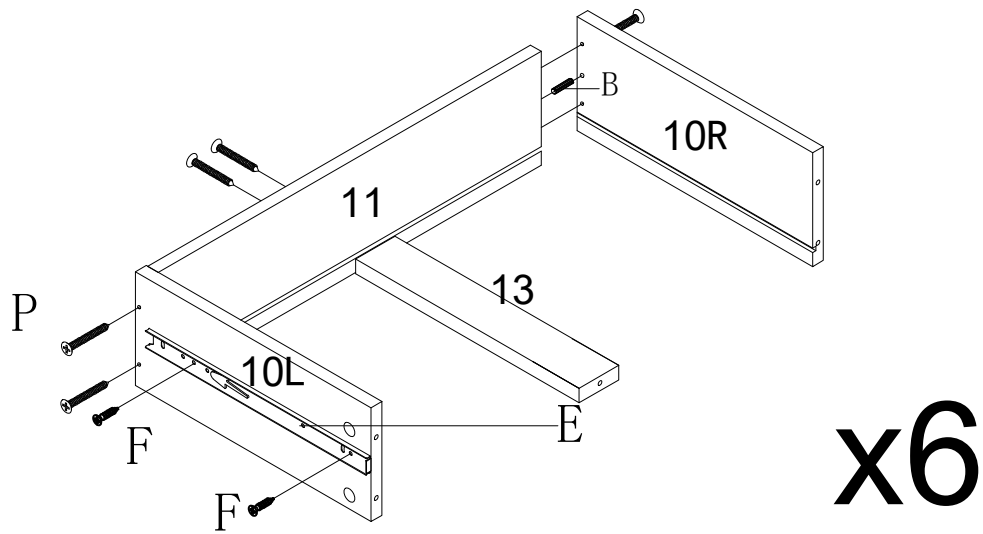
No. C

Quantity: 18 Pcs

Cam Lock
φ15mm



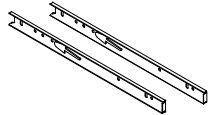
STEP 15



No. F
Quantity: 36 Pcs
Screw
4*14mm



No. E
Quantity: 6 Sets
Drawer Slider
12"



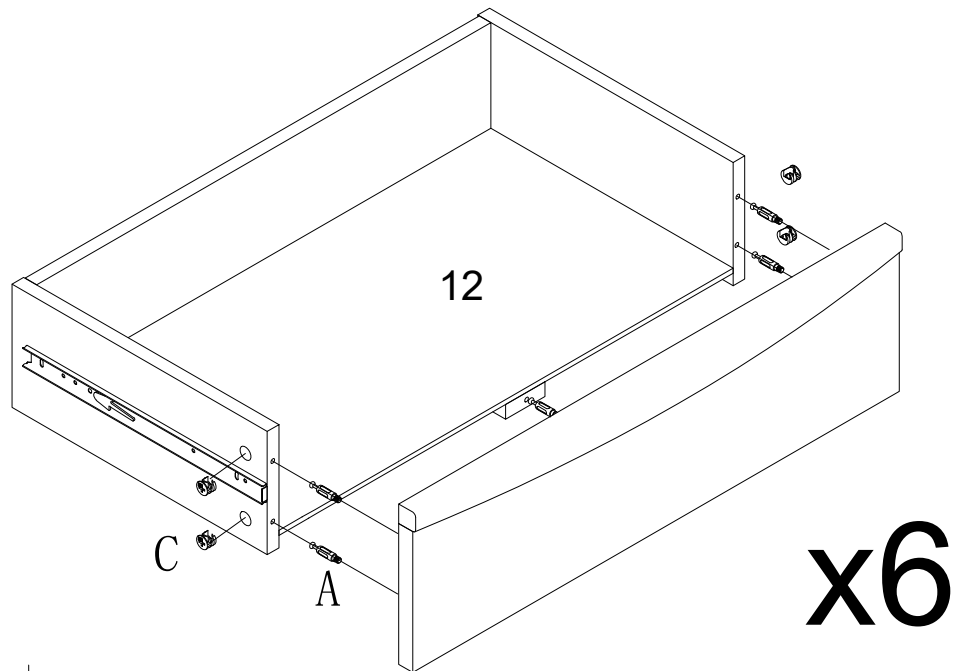
No. P
Quantity: 36 Pcs
Screw
4*30mm



No. B
Quantity: 12 Pcs
Dowel
8*30mm



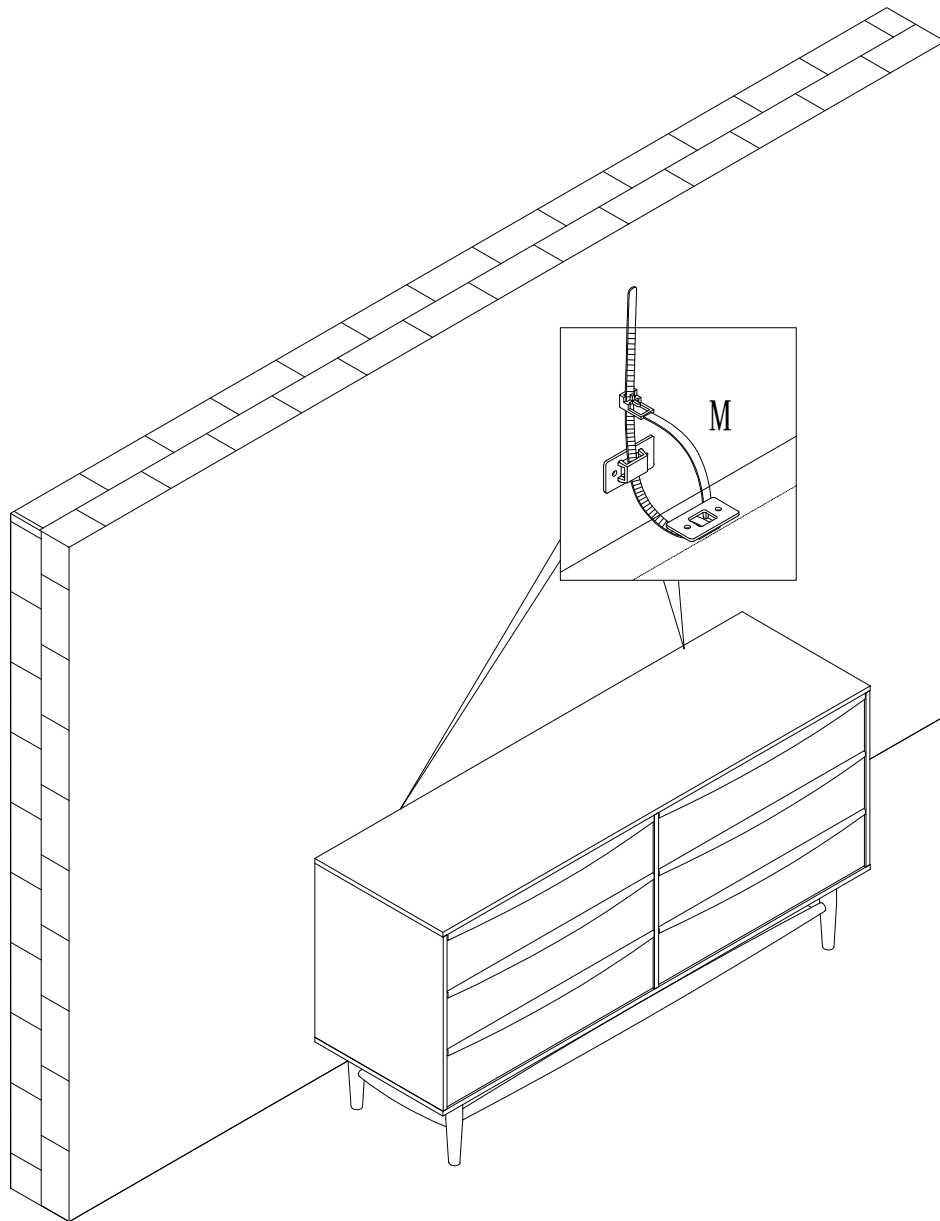
STEP 16



No. C
Quantity: 30 Pcs
Cam Lock



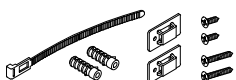
STEP 19



Note:

Please lift up the furniture by two people when moving is needed.
Dragging may cause the legs failure.

No. M
Quantity:2 Sets
Anti-falling Parts



lifely.com.au

Great job. You're done!

Don't forget to share how it looks in
your space and tag us on Instagram.
[@lifelyhome](#)[#homewithlifely!](#)