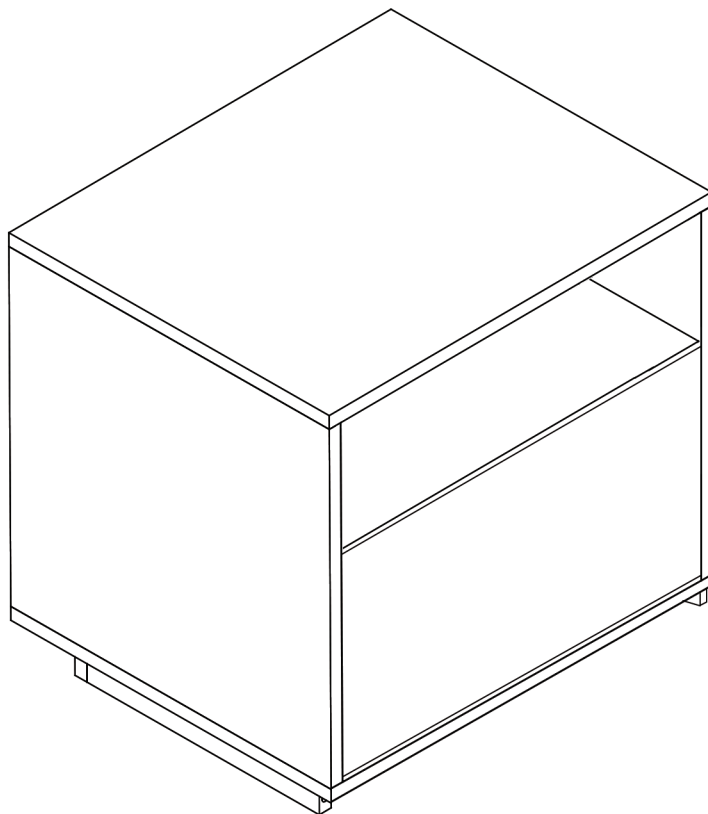


# Assembly Instructions

## NOOK SERIES



# Lifely\*

Product Name  
Nook Wooden Bedside Table

Dimensions(W x D x H)  
480x400x480mm

---

### Important

Please read through instruction carefully  
Before assembly and keep for future reference.

For our full catalogue of assembly instructions,  
Visit: [lifely.com.au/assembly](http://lifely.com.au/assembly).

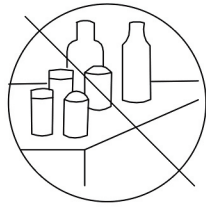
## Important Tips and Maintenance



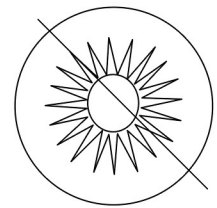
1. Keep children and animals away from working area as smaller parts may cause choking if swallowed.



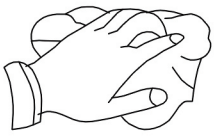
2. Never place liquids or anything damp upon furniture as it will mark. Ensure a coaster or running is beneath.



3. Never use ammonia based cleaning products as it will damage the finish.



4. To avoid fading, keep furniture out of direct sunlight.



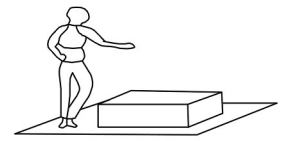
5. Use a soft or damp cloth (dry cloth) when wiping or cleaning surfaces.



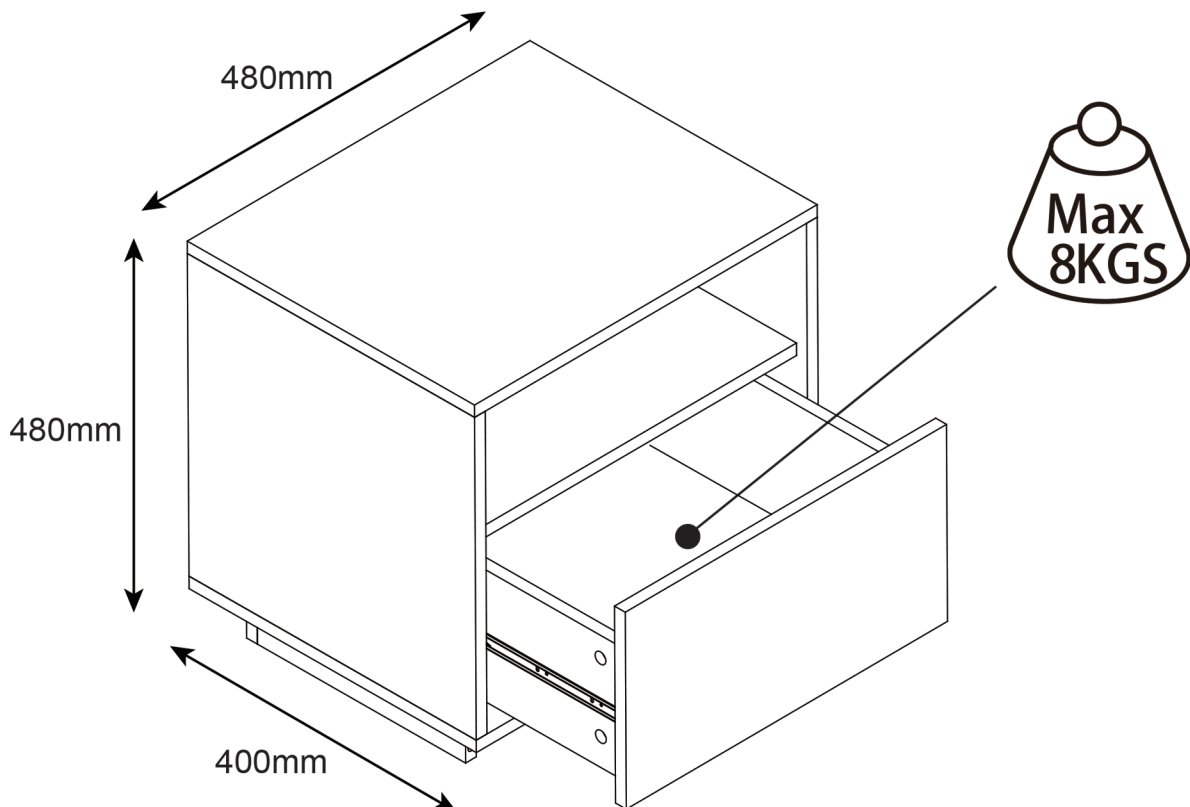
6. Never allow children to stand, climb or hang on drawers, doors, or shelves.



7. Installation time: 30 minutes



8. Lay a soft mat down to protect the furniture piece before and during assembly.



So your relationship is strong. But is it flat-pack furniture strong? Unless you're an aerospace engineer, assembling furniture can be slightly stressful. We recommend meditating quietly, pouring yourself a herbal tea (or slightly less herbal wine) and tackling things one step at a time. If you feel a passive aggressive remark coming on, try a compliment instead. E.g. "You're so good looking".

This 14 -Step assembly should take around 30 minutes with an Allen Key-or 20 minutes with an electric drill. Godspeed.

Designed for everyday

## Component Hardware

Please check you have all the fittings  
part or tools are listed in below.

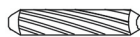
No. A  
Quantity: 32Pcs  
Cam Bolt



No. B  
Quantity: 32Pcs  
Cam Nut



No. C  
Quantity: 12Pcs  
Dowel



No. D  
Quantity: 16Pcs  
Screw 4\*16mm



No. E  
Quantity: 2Pcs  
Guide



No. F  
Quantity: 2Pcs  
Sticker



No. G  
Quantity: 4Pcs  
Buckle



No. H  
Quantity: 4Pcs  
Pad



No. I  
Quantity: 1Pc  
Allen Key

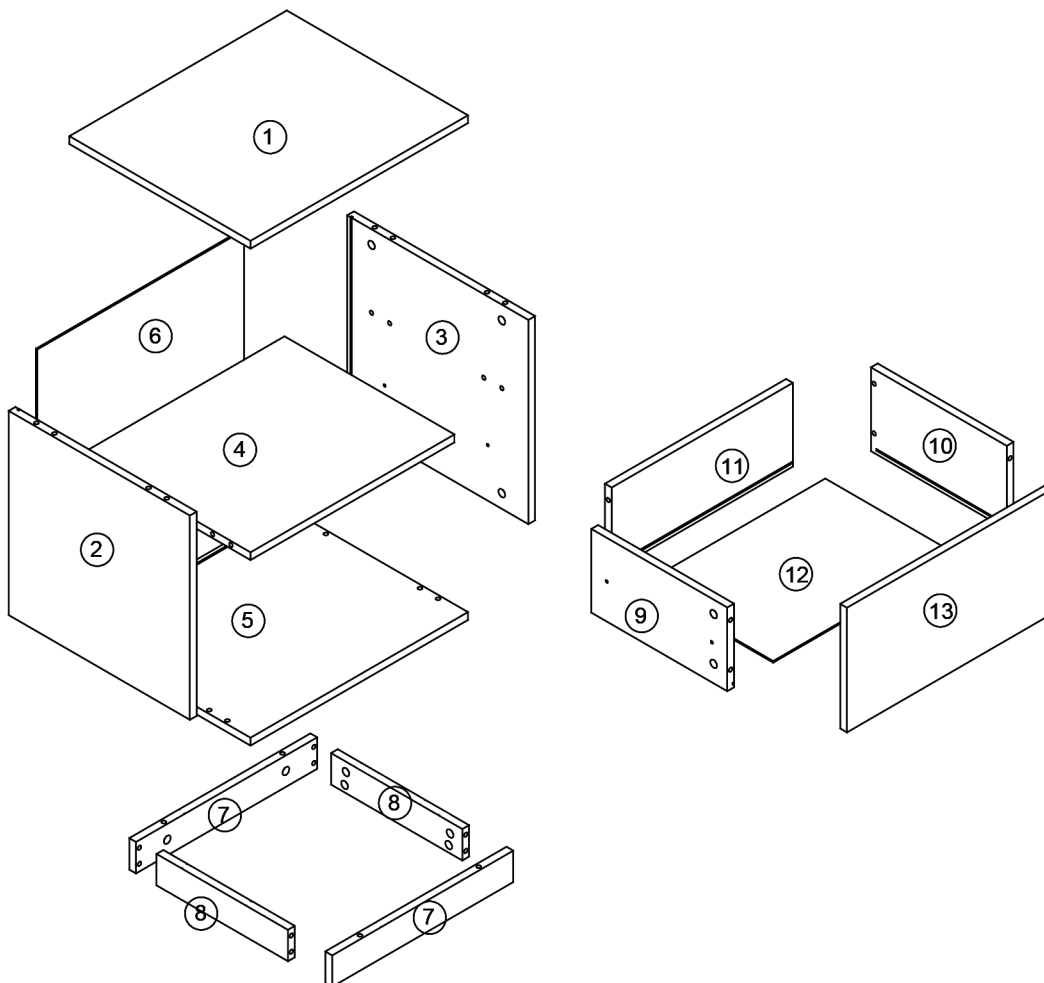




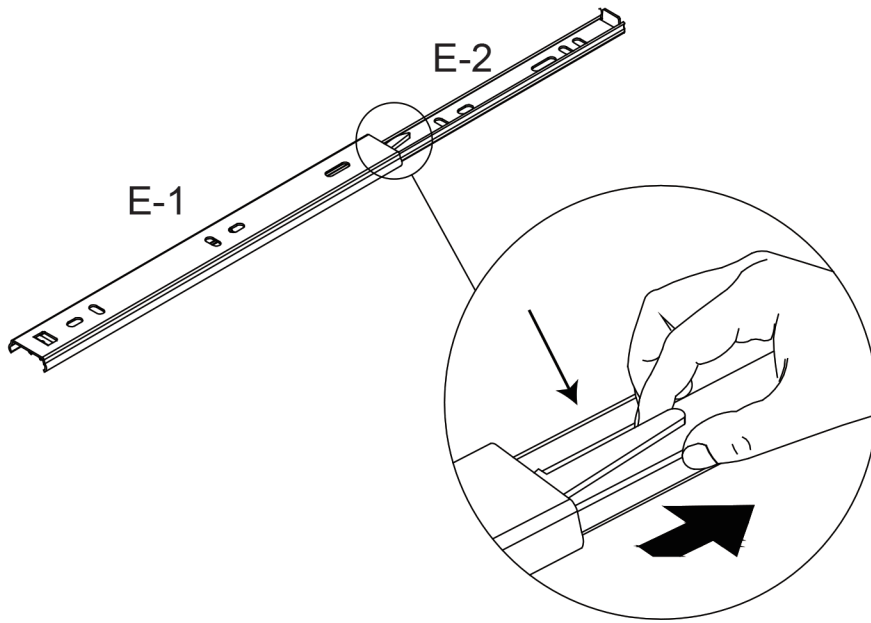
## Component Panels & part List

Please check you have all the panels  
are listed below.

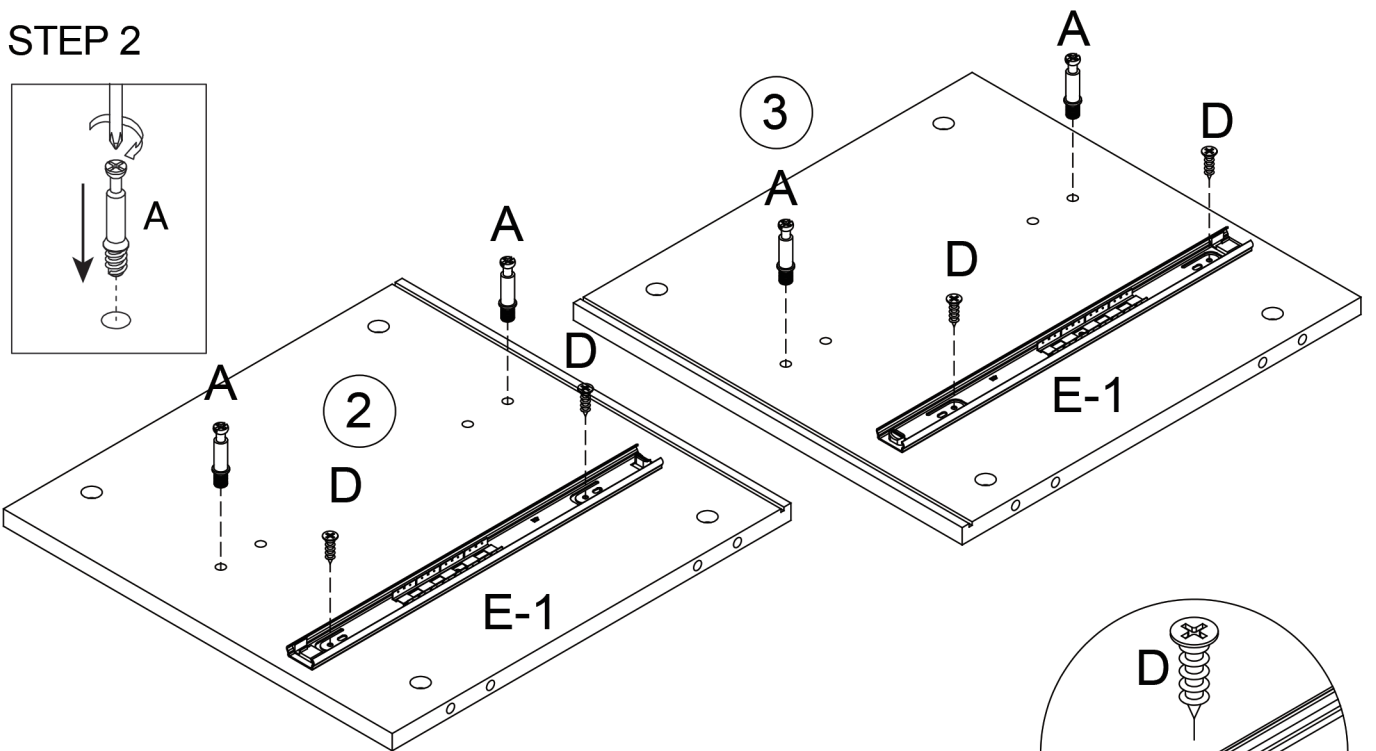
1. TOP PANEL ----- x1 Carton 1/1
2. LEFT SIDE PANEL ----- x1 Carton 1/1
3. RIGHT SIDE PANEL ----- x1 Carton 1/1
4. MIDDLE PANEL ----- x1 Carton 1/1
5. BOTTOM PANEL ----- x1 Carton 1/1
6. BACK PANEL ----- x1 Carton 1/1
7. BASE PANEL ----- x2 Carton 1/1
8. BASE LEFT PANEL ----- x2 Carton 1/1
9. DRAWER LEFT PANEL ----- x1 Carton 1/1
10. DRAWER BACK PANEL ----- x1 Carton 1/1
11. DRAWER BOTTOM PANEL ----- x1 Carton 1/1
12. DRAWER PANEL ----- x1 Carton 1/1



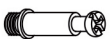
# STEP 1



# STEP 2



No. A  
Quantity: 32Pcs  
Cam Bolt



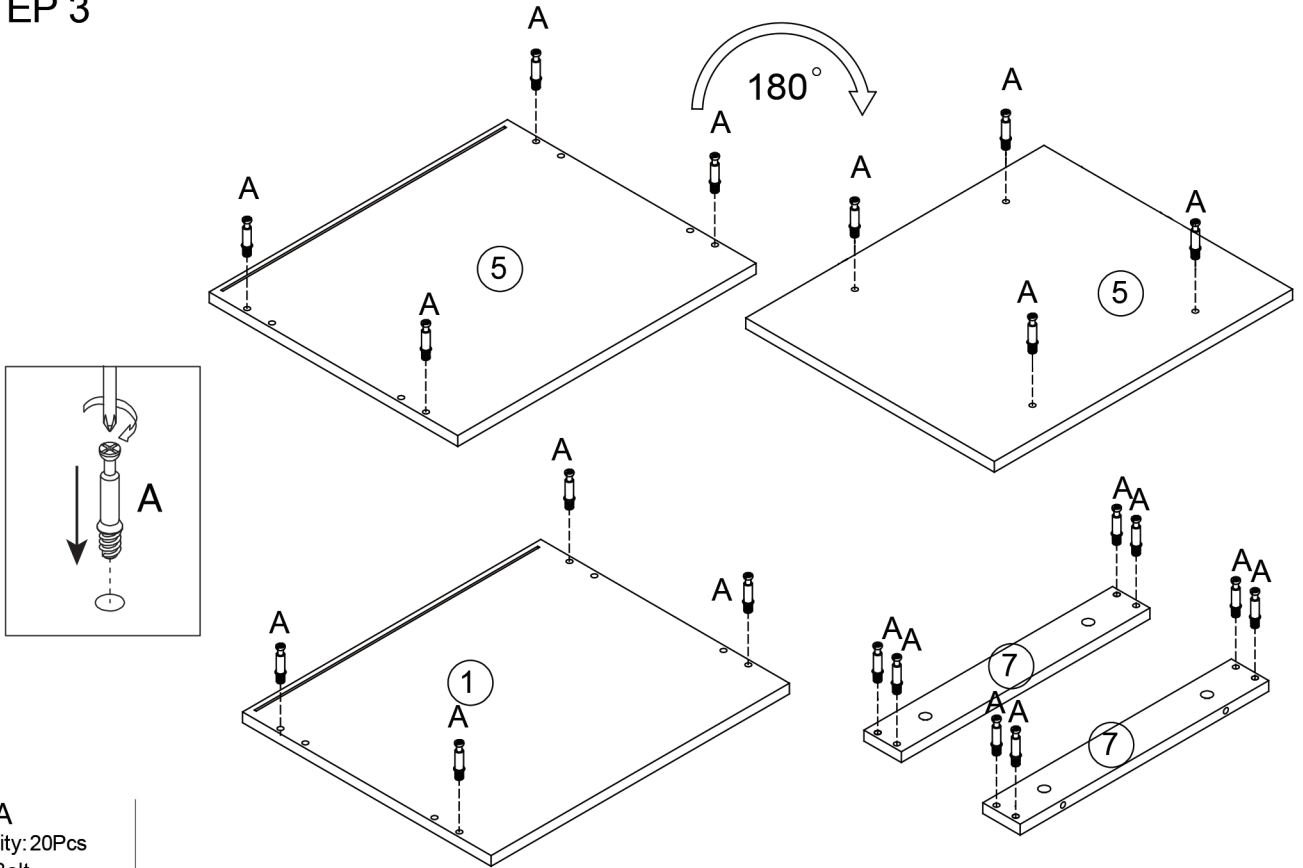
No. D  
Quantity: 16Pcs  
Screw 4\*16mm



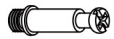
No. E  
Quantity: 2Pcs  
Guide



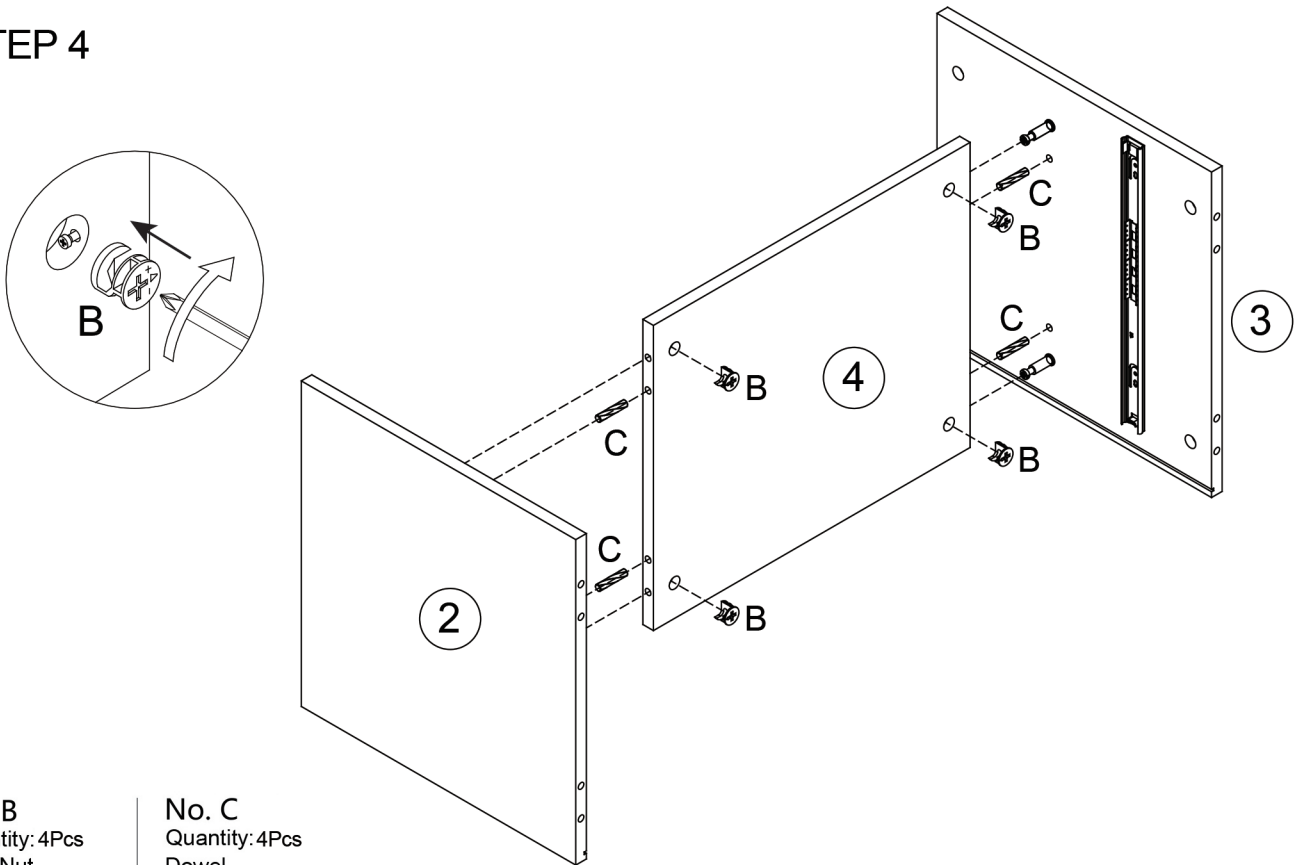
### STEP 3



No. A  
Quantity: 20Pcs  
Cam Bolt



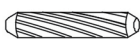
### STEP 4



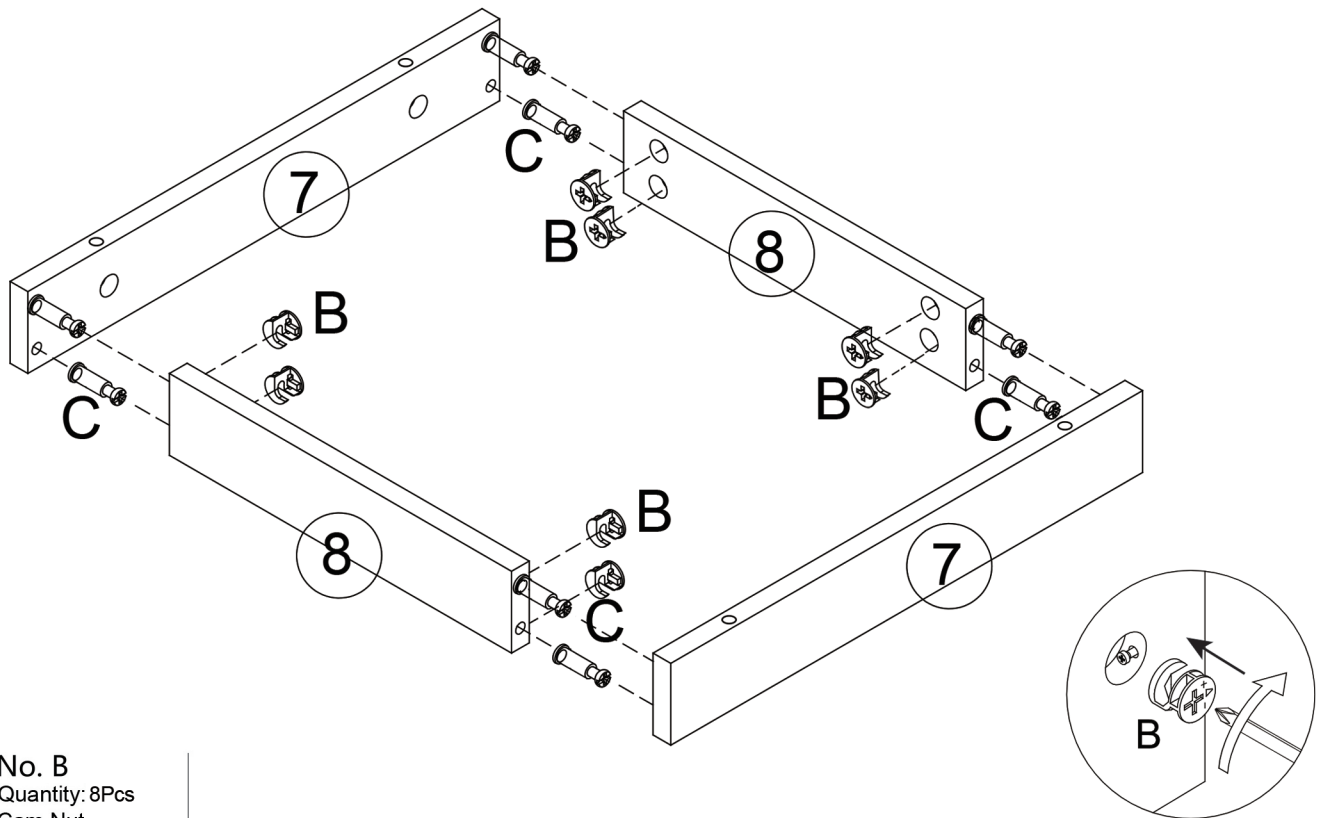
No. B  
Quantity: 4Pcs  
Cam Nut



No. C  
Quantity: 4Pcs  
Dowel



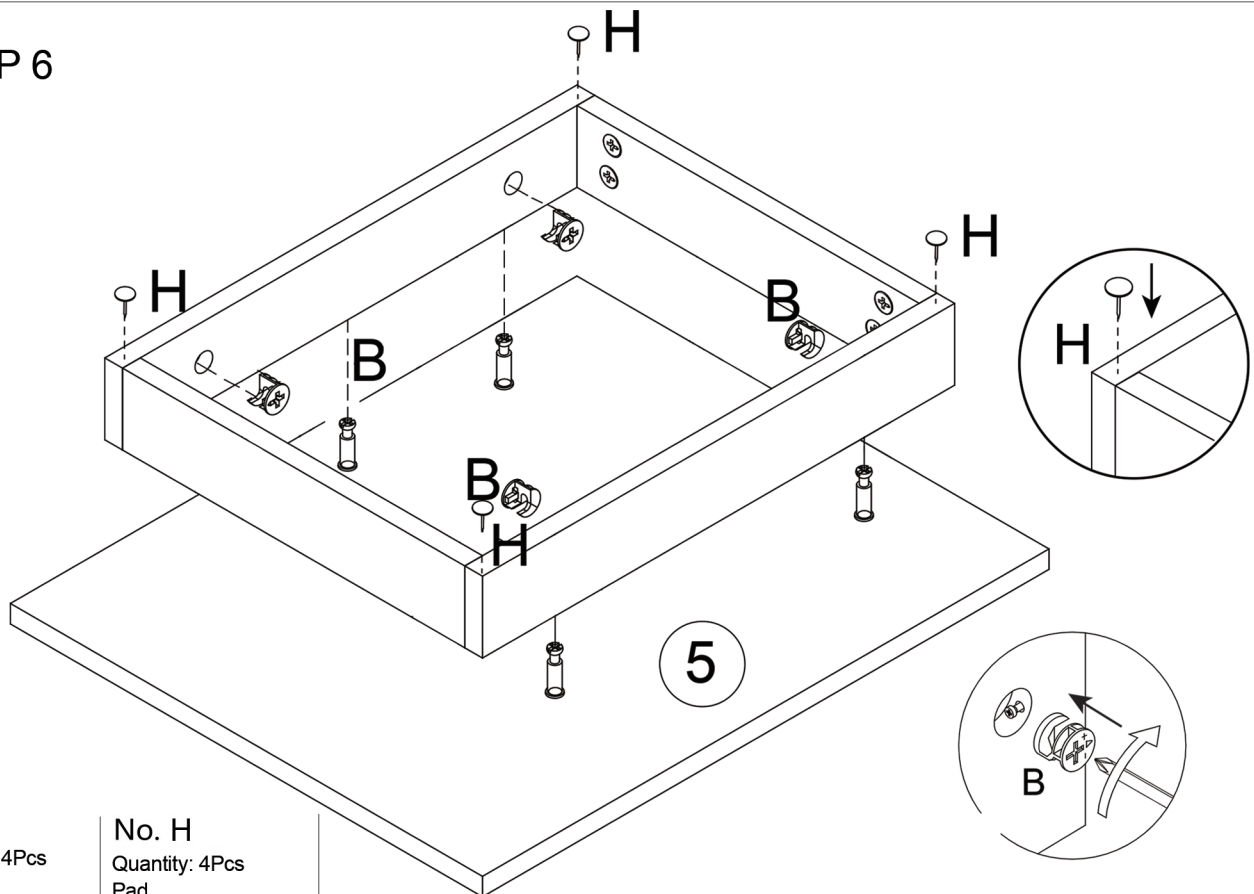
# STEP 5



No. B  
Quantity: 8Pcs  
Cam Nut



# STEP 6



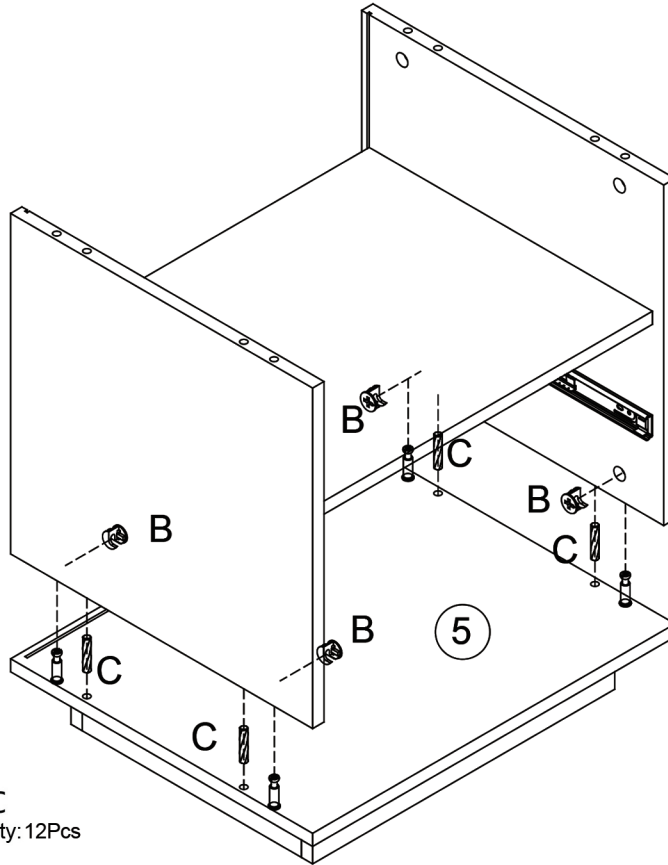
No. B  
Quantity: 4Pcs  
Cam Nut



No. H  
Quantity: 4Pcs  
Pad



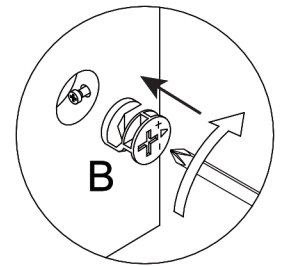
## STEP 7



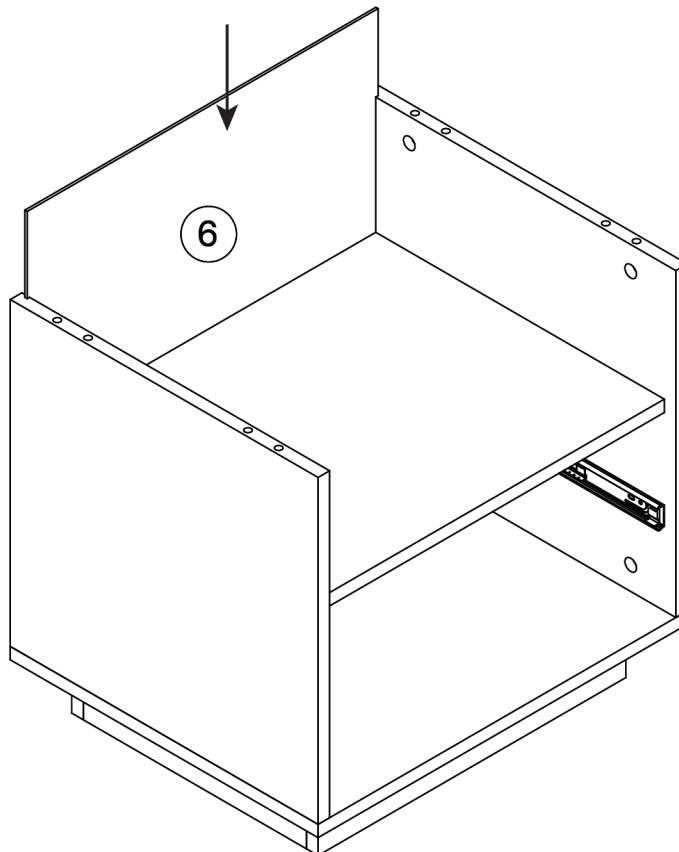
No. B  
Quantity: 32Pcs  
Cam Nut



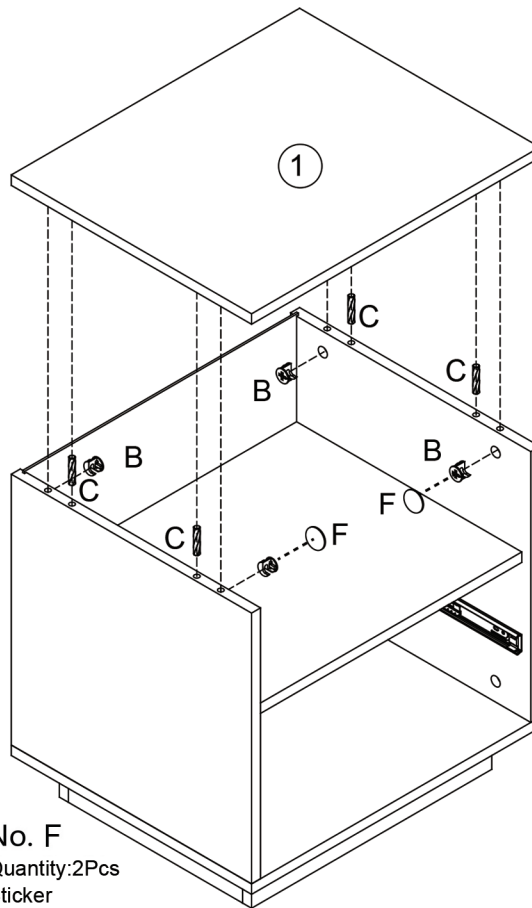
No. C  
Quantity: 12Pcs  
Dowel



## STEP 8



# STEP 9



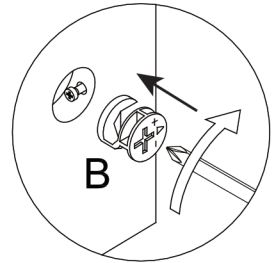
No. B  
Quantity: 4Pcs  
Cam Nut



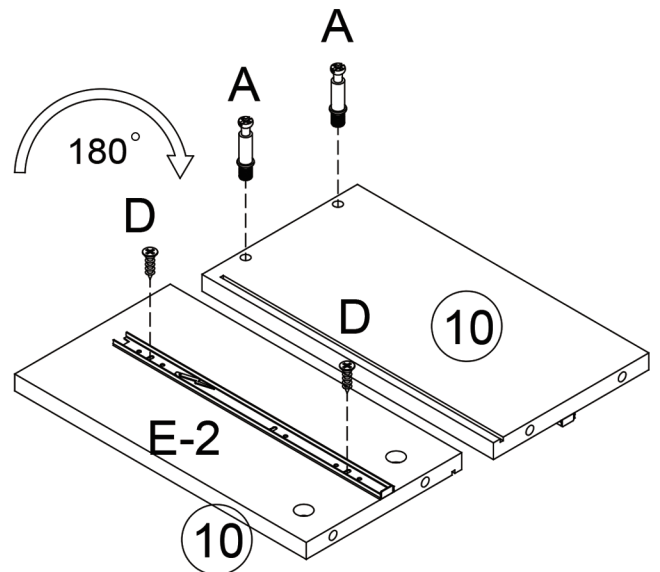
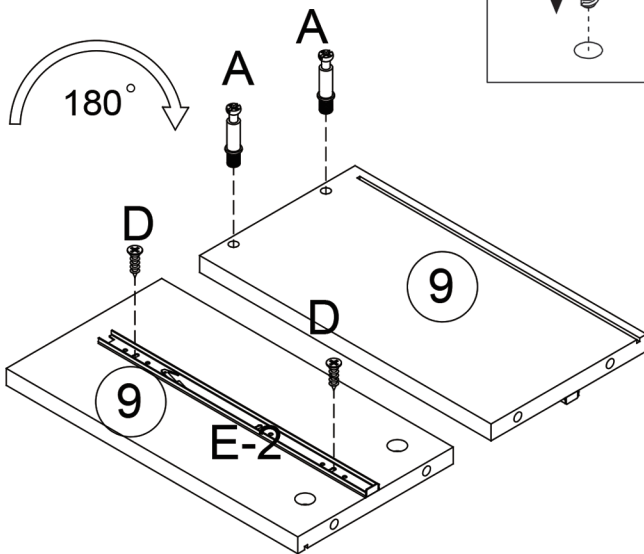
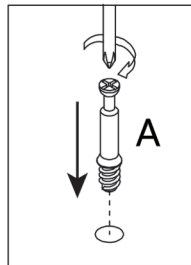
No. C  
Quantity: 4Pcs  
Dowel



No. F  
Quantity: 2Pcs  
Sticker



# STEP 10



No. A  
Quantity: 4Pcs  
Cam Bolt



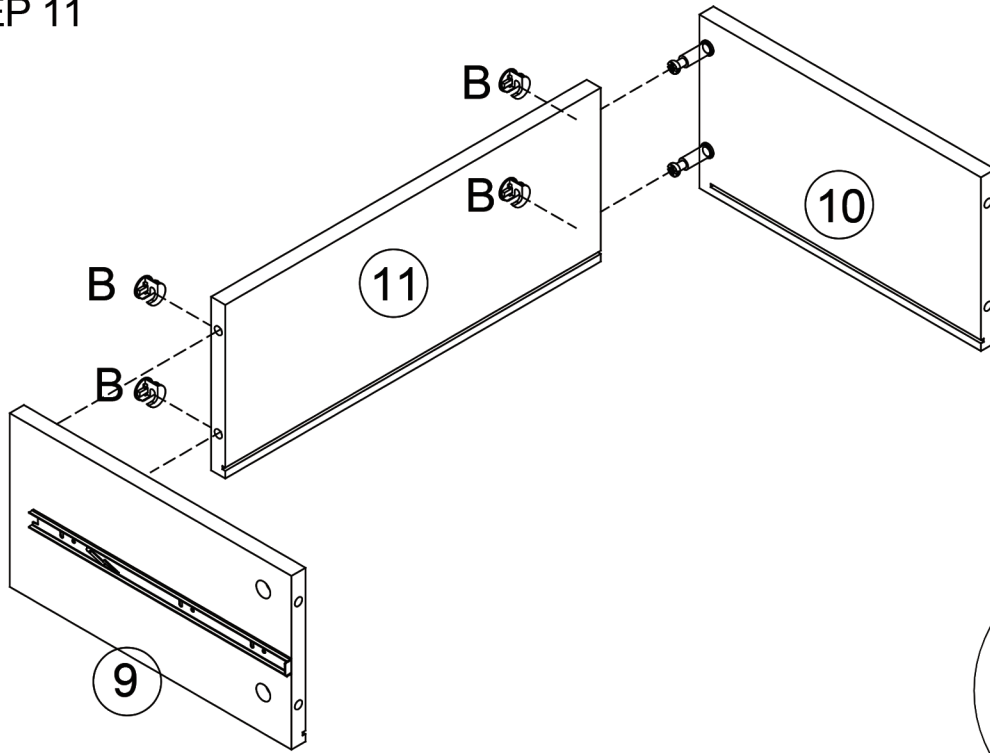
No. D  
Quantity: 4Pcs  
Screw 4\*16mm



No. E  
Quantity: 2Pcs  
Guide



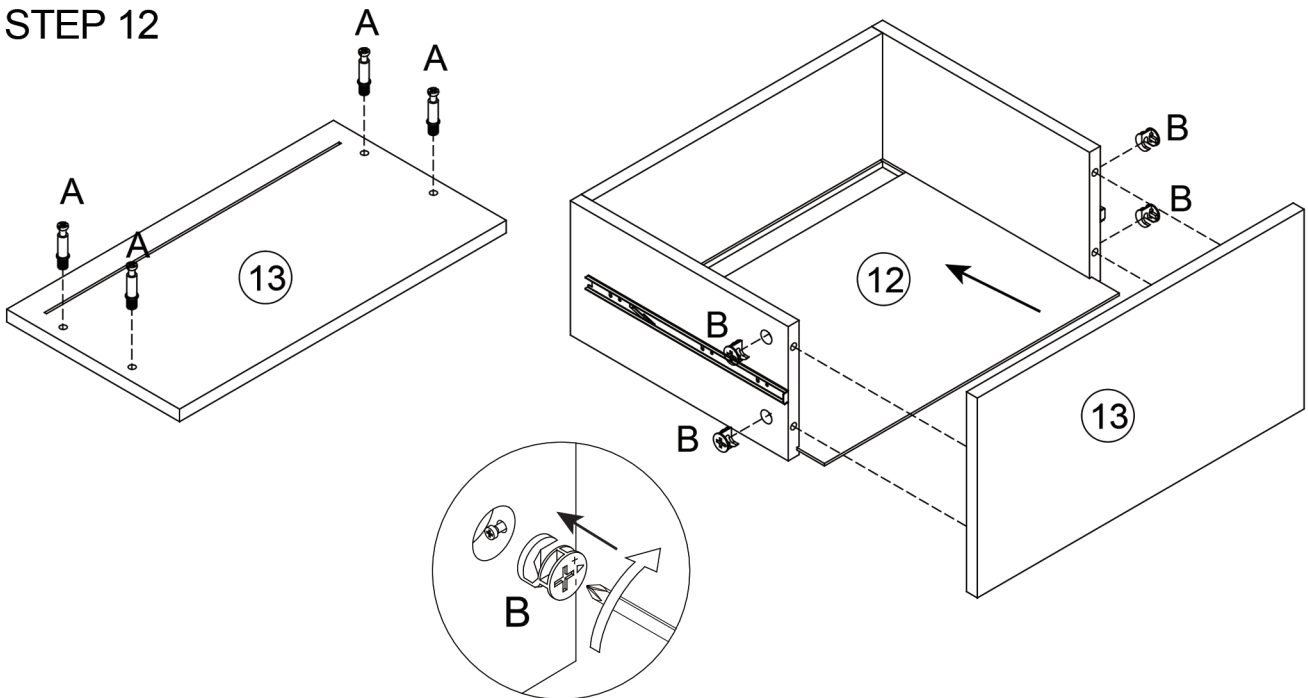
# STEP 11



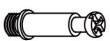
No. B  
Quantity: 4Pcs  
Cam Nut



# STEP 12



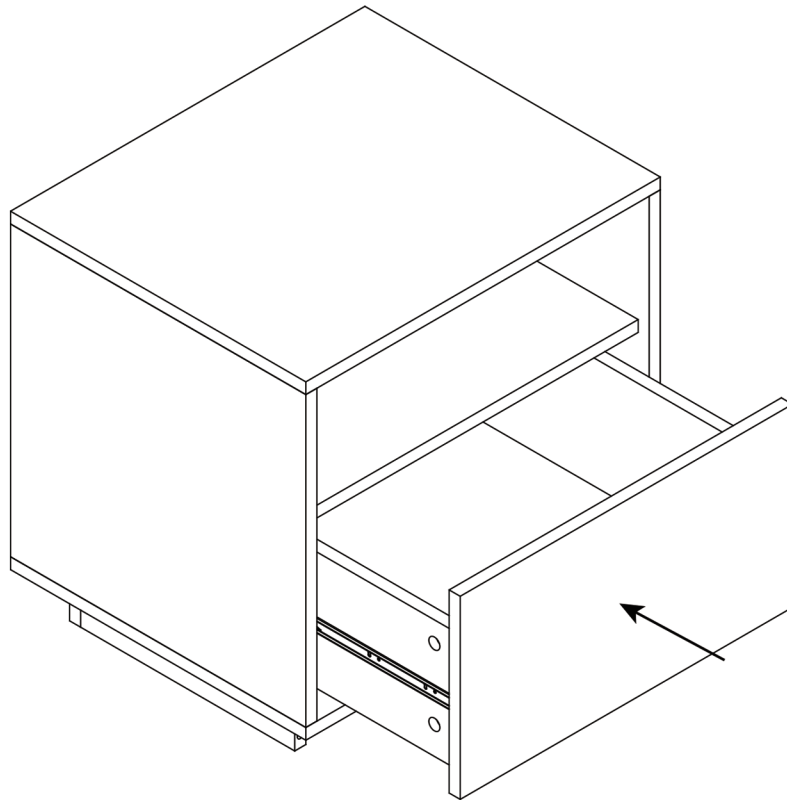
No. A  
Quantity: 4Pcs  
Cam Bolt



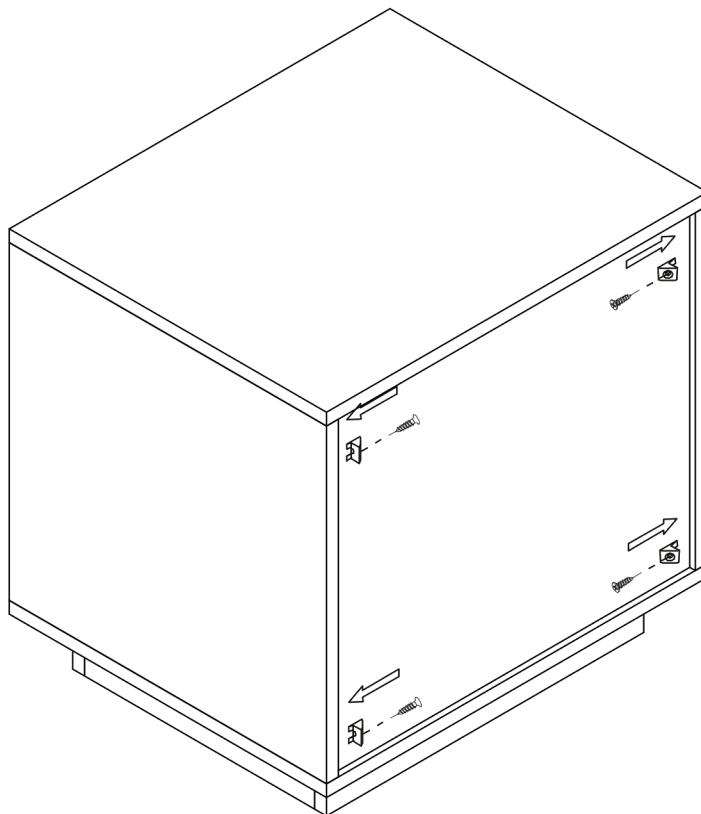
No. B  
Quantity: 4Pcs  
Cam Nut





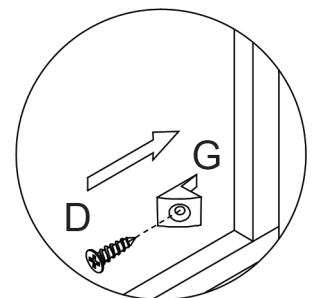
# STEP 13



# STEP 14



HARDWARE NEEDED:		
D		4PCS
G		4PCS





lifely.com.au

Great job. You're done!

Don't forget to share how it looks in  
your space and tag us on Instagram.

@lifelyhome#homewithlifely!