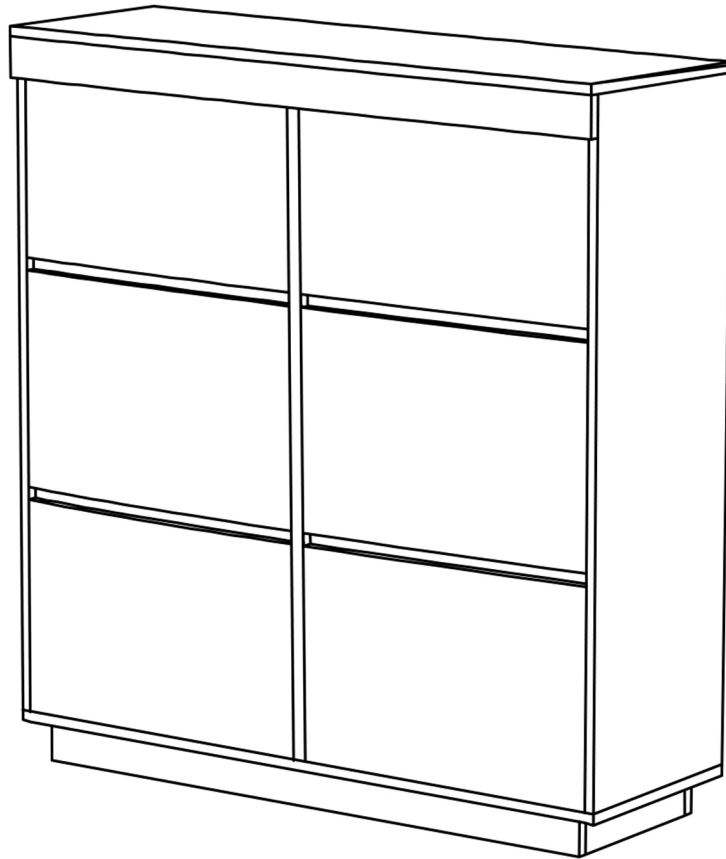


# Assembly Instructions

## Cuppa Series



# Lifely\*

Product Name  
CPA-V2-SC1560-WOK Cuppa 6 Doors Shoe Rack

Dimensions(Wx DxH)  
1150x320x1200mm

---

### Important

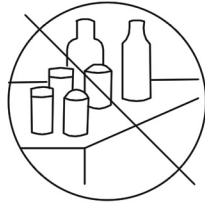
Please read through instruction carefully  
Before assembly and keep for future reference.

For our full catalogue of assembly instructions,  
Visit: [lifely.com.au/assembly](http://lifely.com.au/assembly).

# Important Tips and Maintenance



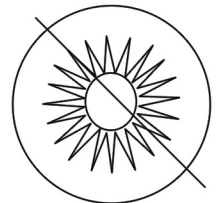
1. Keep children and animals away from working area as smaller parts may cause choking if swallowed.



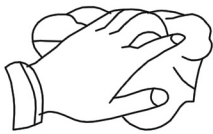
2. Never place liquids or anything damp upon furniture as it will mark. Ensure a coaster or running is beneath.



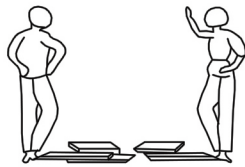
3. Never use ammonia based cleaning products as it will damage the finish.



4. To avoid fading, keep furniture out of direct sunlight.



5. Use a soft or damp cloth (dry cloth) when wiping or cleaning surfaces.



6. Two person are required.



7. Lay a soft matt down to protect the furniture piece before and during assembly.

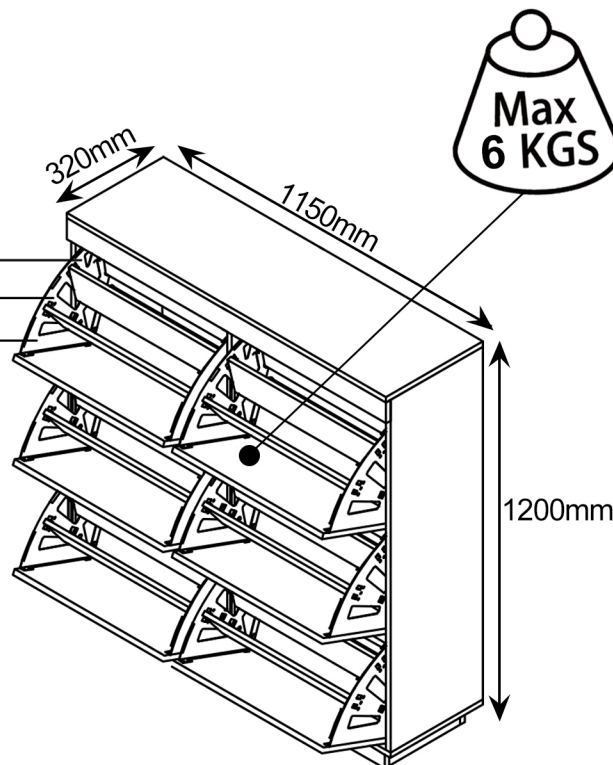
## Shoes Size Suitable

(Quoted From Nike Au Official Website)

MM215; EUR035.5; USM3.5; USW5

MM235; EUR036.5; USM4.5; USW6

MM255; EUR040.5; USM7.5; USW9



So your relationship is strong. But is it flat-pack furniture strong? Unless you're an aerospace engineer, assembling furniture can be slightly stressful. We recommend meditating quietly, pouring yourself a herbal tea (or slightly less herbal wine) and tackling things one step at a time. If you feel a passive aggressive remark coming on, try a compliment instead. E.g. "You're so good looking".

This 18-Step assembly should take around 55 minutes with an Allen Key-or 45 minutes with an electric drill. Godspeed.

Designed for everyday

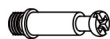
## Component Hardware

Please check you have all the fittings  
part or tools are listed in below.

No. A  
Quantity: 12Pcs  
Dowel



No. B  
Quantity: 46Pcs  
Cam Bolt



No. C  
Quantity: 46Pcs  
Cam Nut



No. D  
Quantity: 114Pcs  
Screw M3.5\*12mm



No. E  
Quantity: 6Pcs  
Reversing Bucket Frame



No. F  
Quantity: 6 Pcs  
Frame Parts



No. G  
Quantity: 12Pcs  
Frame Parts



No. H  
Quantity: 12Pcs  
Frame Parts



No. I  
Quantity: 18Pcs  
Back Plate Clamp



No. J  
Quantity: 2Pcs  
Anti collapse



No. K  
Quantity: 1Pc  
Allen Key

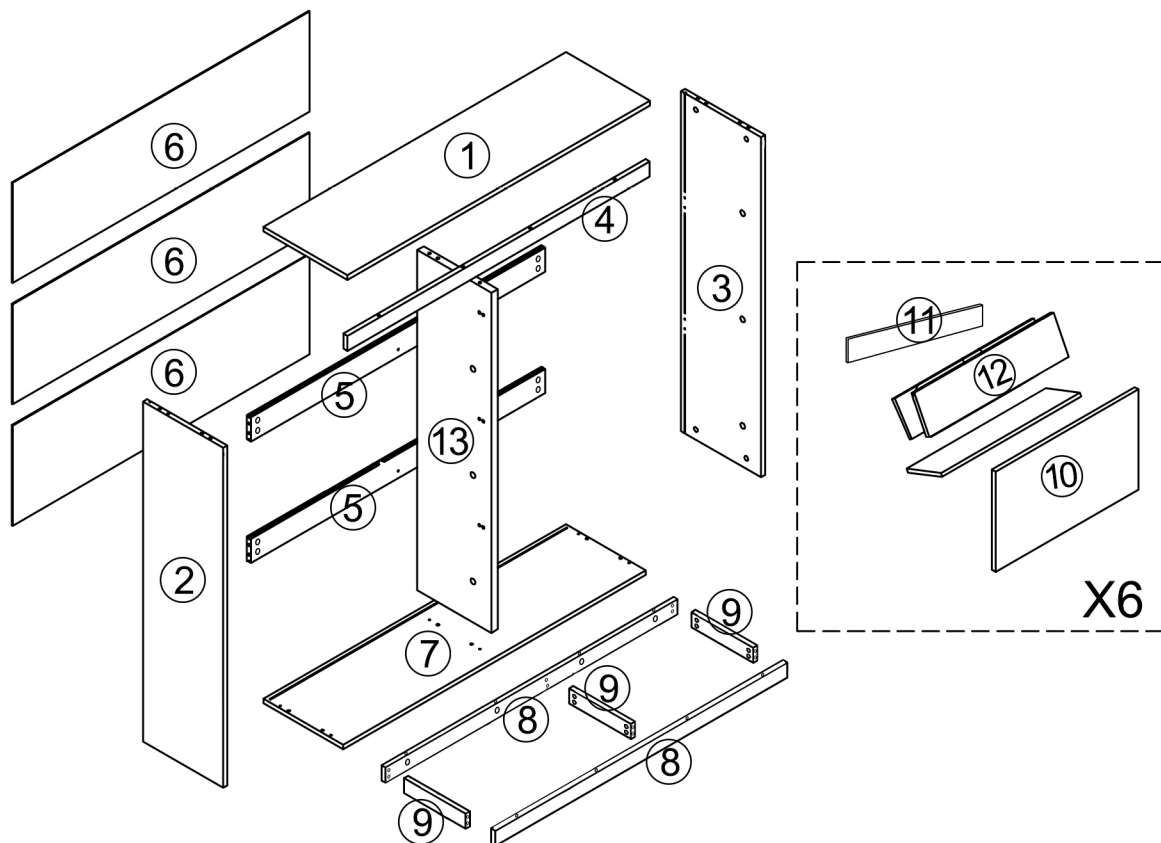




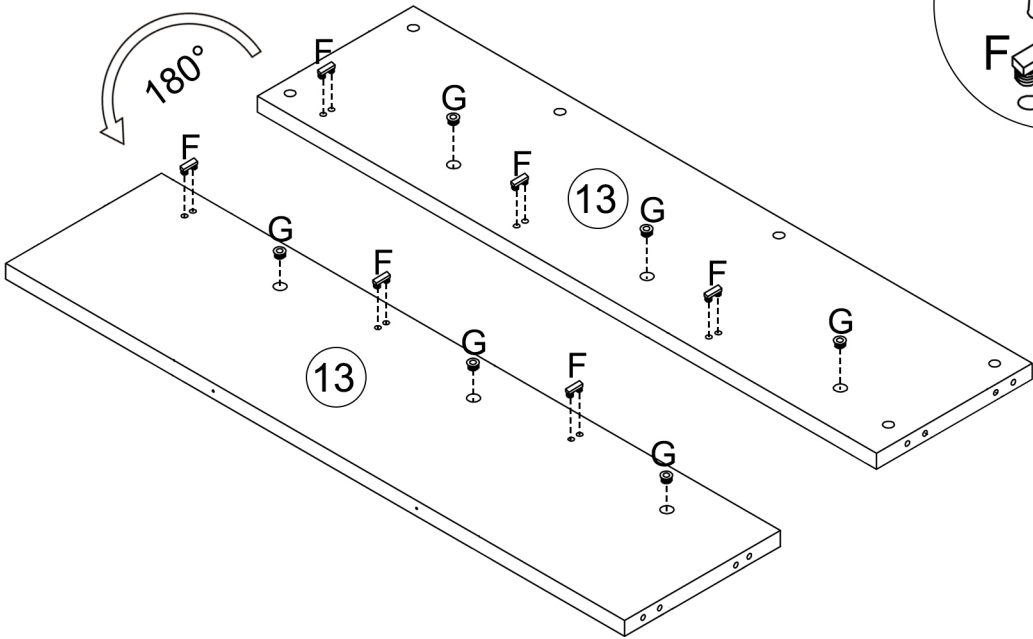
## Component Panels & part List

Please check you have all the panels  
are listed below.

- |     |                |       |     |            |
|-----|----------------|-------|-----|------------|
| 1.  | TOP            | ----- | x1  | Carton 2/2 |
| 2.  | SIDE PANEL - L | ----- | x1  | Carton 2/2 |
| 3.  | SIDE PANEL - R | ----- | x1  | Carton 1/2 |
| 4.  | SKITR PANEL    | ----- | x1  | Carton 2/2 |
| 5.  | BACK SUPPORT   | ----- | x2  | Carton 2/2 |
| 6.  | BACK PANEL     | ----- | x3  | Carton 2/2 |
| 7.  | BOTTOM PANEL   | ----- | x1  | Carton 2/2 |
| 8.  | BASE           | ----- | x2  | Carton 2/2 |
| 9.  | BASE SIDE      | ----- | x3  | Carton 1/2 |
| 10. | DOOR           | ----- | x6  | Carton 2/2 |
| 11. | DOOR-BRACKET-A | ----- | x6  | Carton 1/2 |
| 12. | DOOR-BRACKET-B | ----- | x18 | Carton 1/2 |
| 13. | CENTER PANEL   | ----- | x1  | Carton 1/2 |



# STEP 1



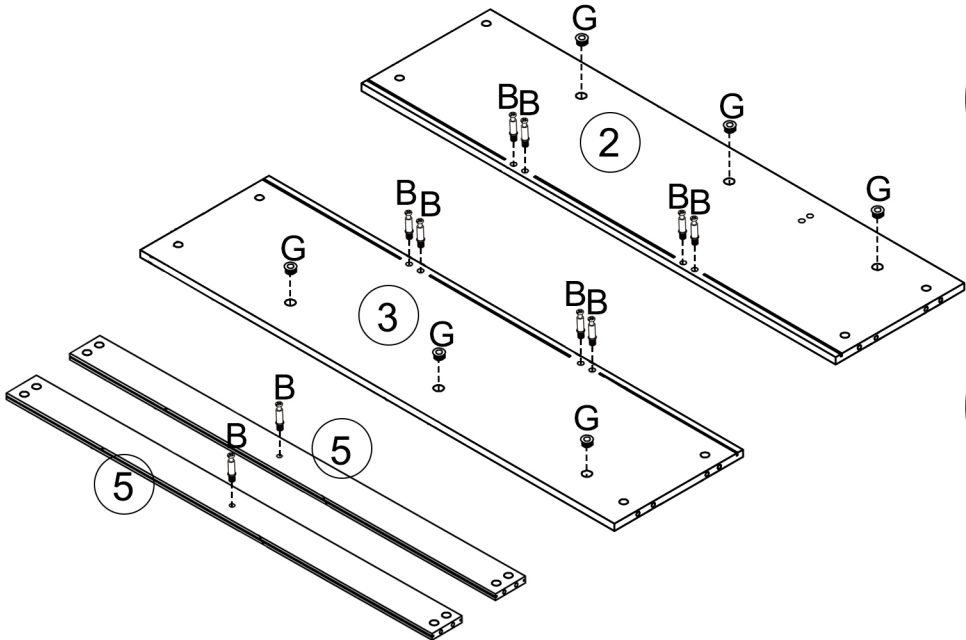
No. F  
Quantity: 6Pcs  
Frame Parts



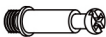
No. G  
Quantity: 6Pcs  
Frame Parts



# STEP 2



No. B  
Quantity: 10Pcs  
Cam Bolt



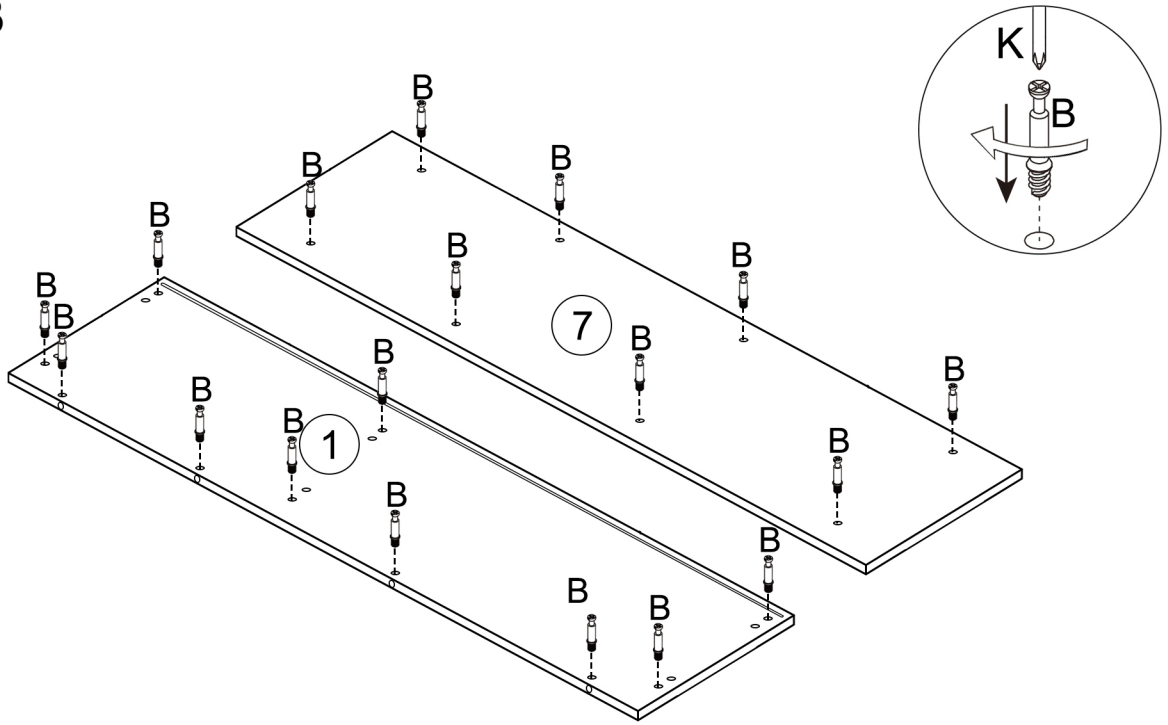
No. G  
Quantity: 6Pcs  
Frame Parts



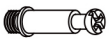
No. K  
Quantity: 1Pc  
Allen Key



# STEP 3



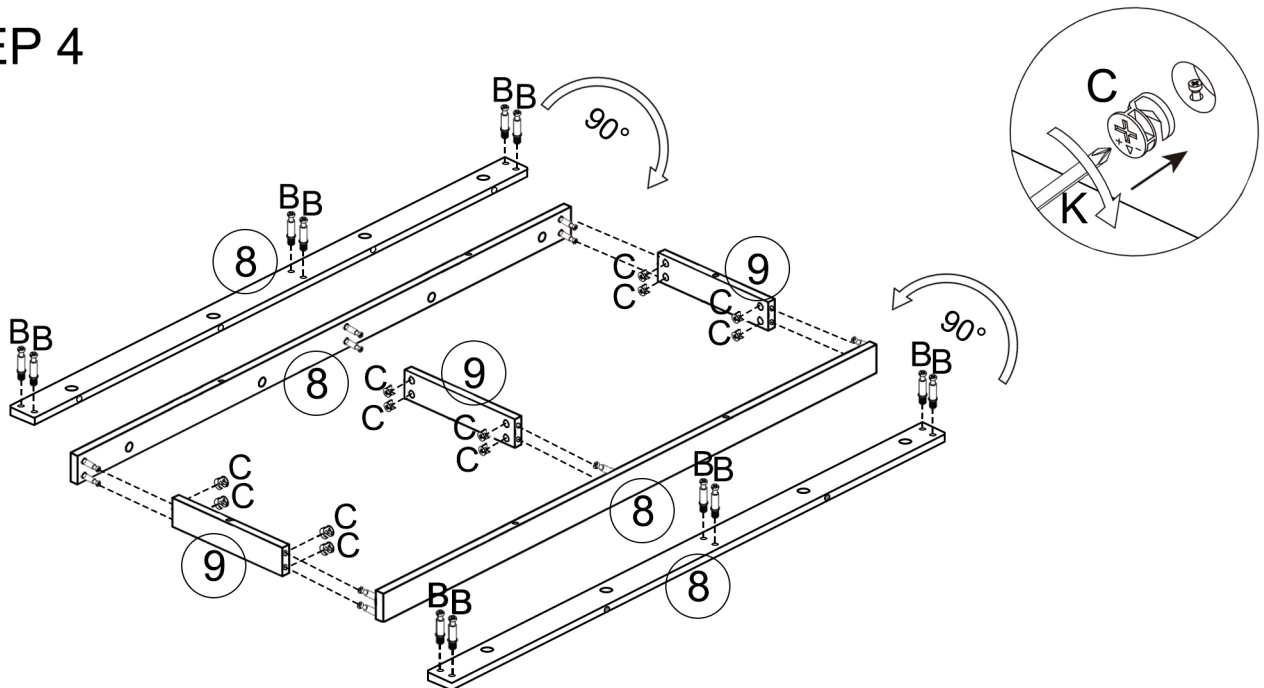
No. B  
Quantity: 18Pcs  
Cam Bolt



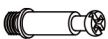
No. K  
Quantity: 1Pc  
Allen Key



# STEP 4



No. B  
Quantity: 12Pcs  
Cam Bolt



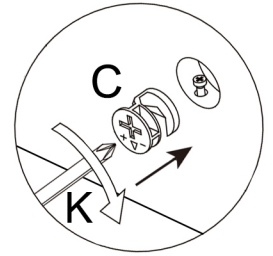
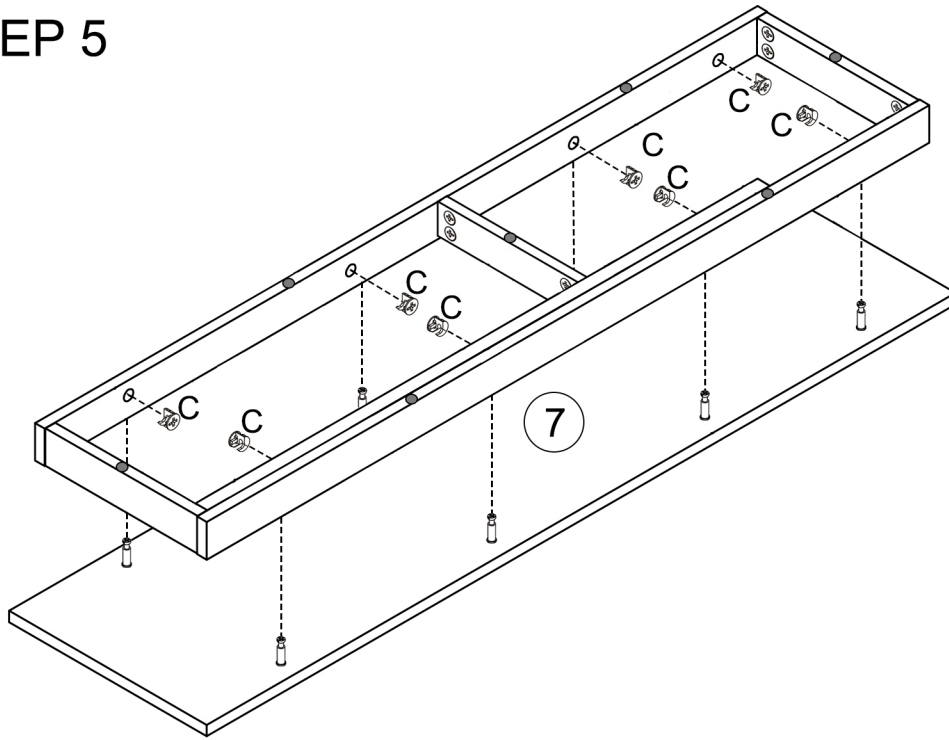
No. C  
Quantity: 12Pcs  
Cam Nut



No. K  
Quantity: 1Pc  
Allen Key



# STEP 5



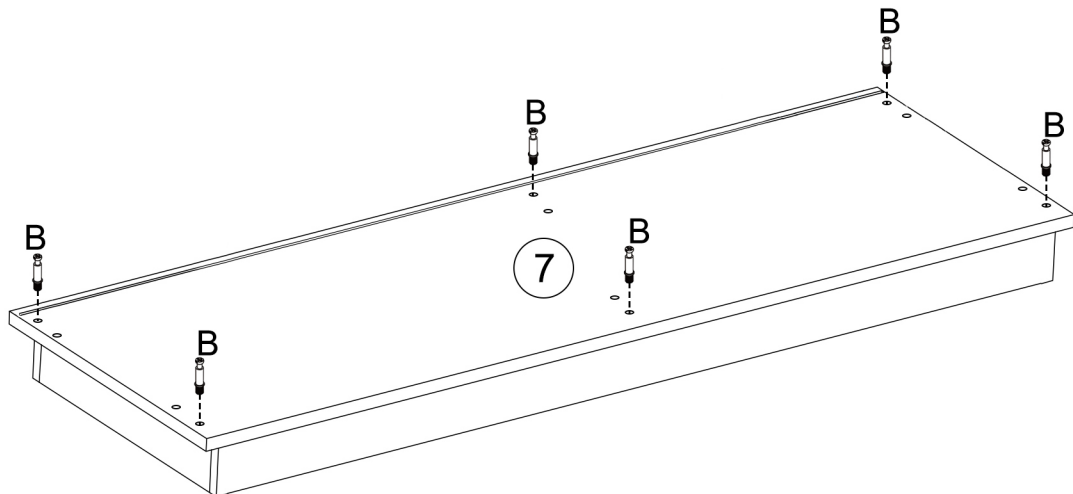
No. C  
Quantity: 8Pcs  
Cam Nut



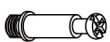
No. K  
Quantity: 1Pc  
Allen Key



# STEP 6



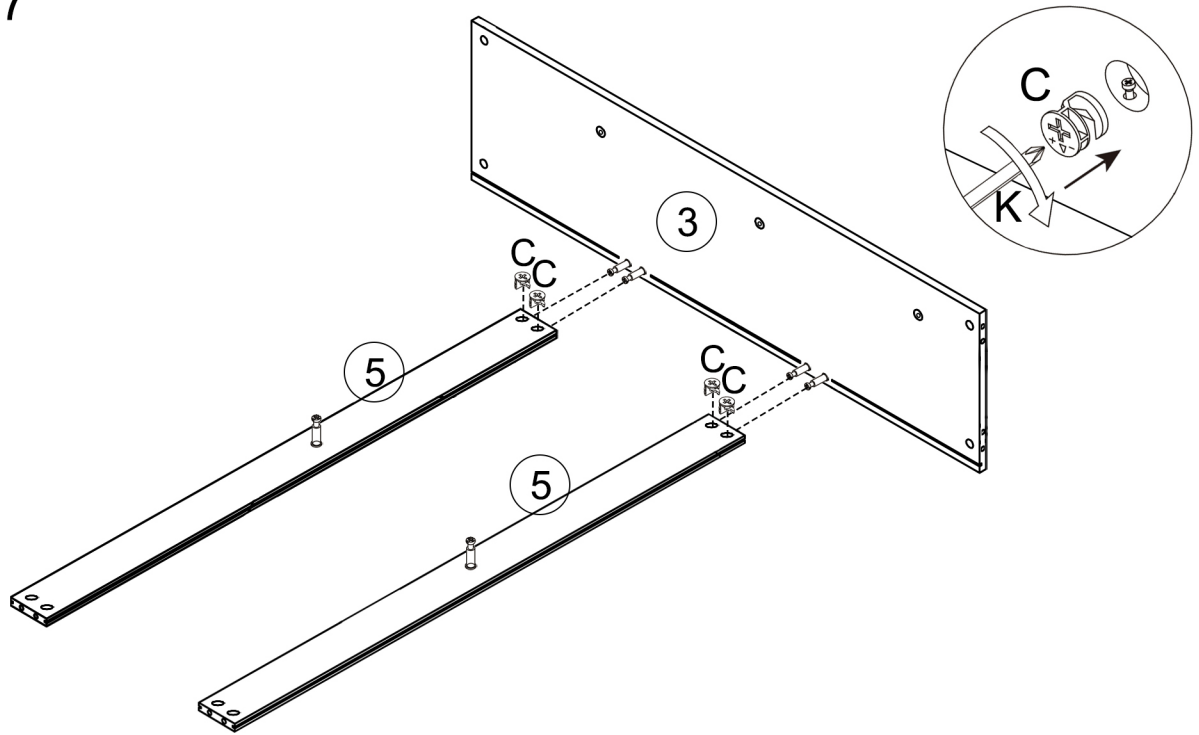
No. B  
Quantity: 6Pcs  
Cam Bolt



No. K  
Quantity: 1Pc  
Allen Key



# STEP 7



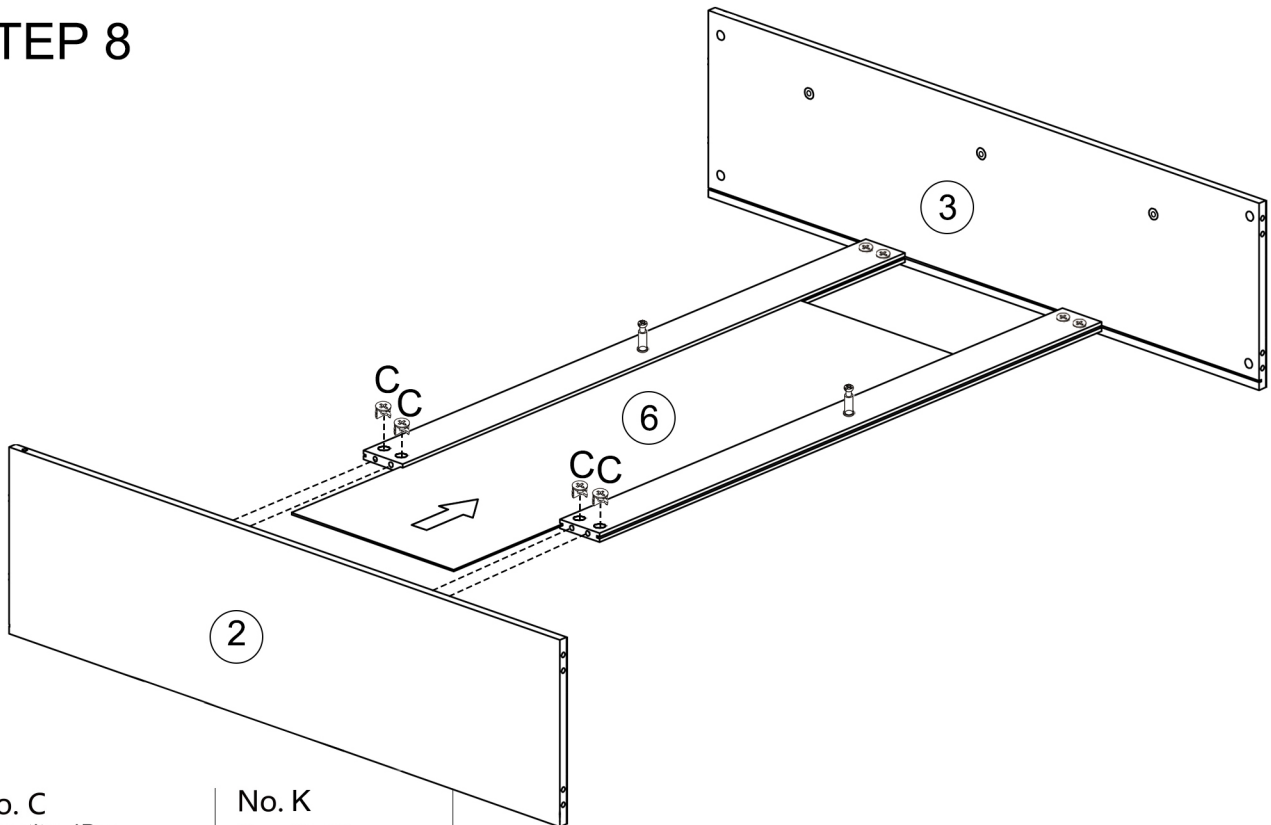
No. C  
Quantity: 4Pcs  
Cam Nut



No. K  
Quantity: 1Pc  
Allen Key



# STEP 8



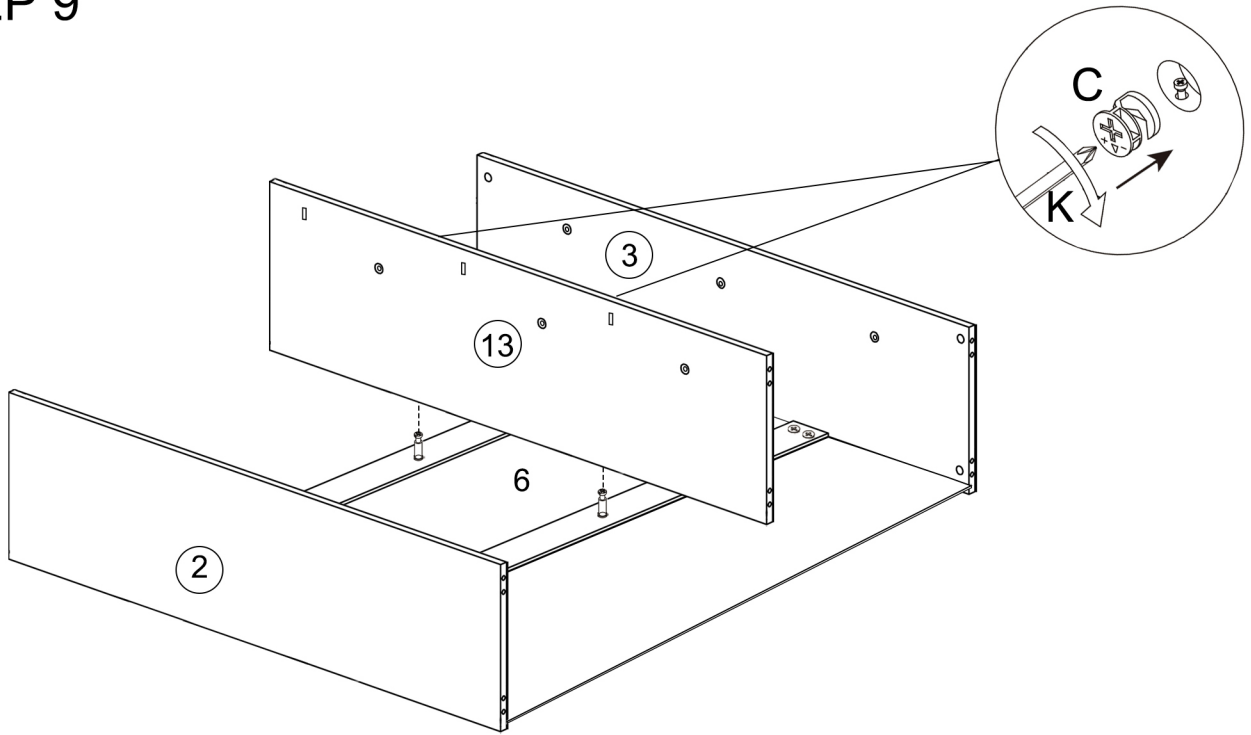
No. C  
Quantity: 4Pcs  
Cam Nut



No. K  
Quantity: 1Pc  
Allen Key



# STEP 9



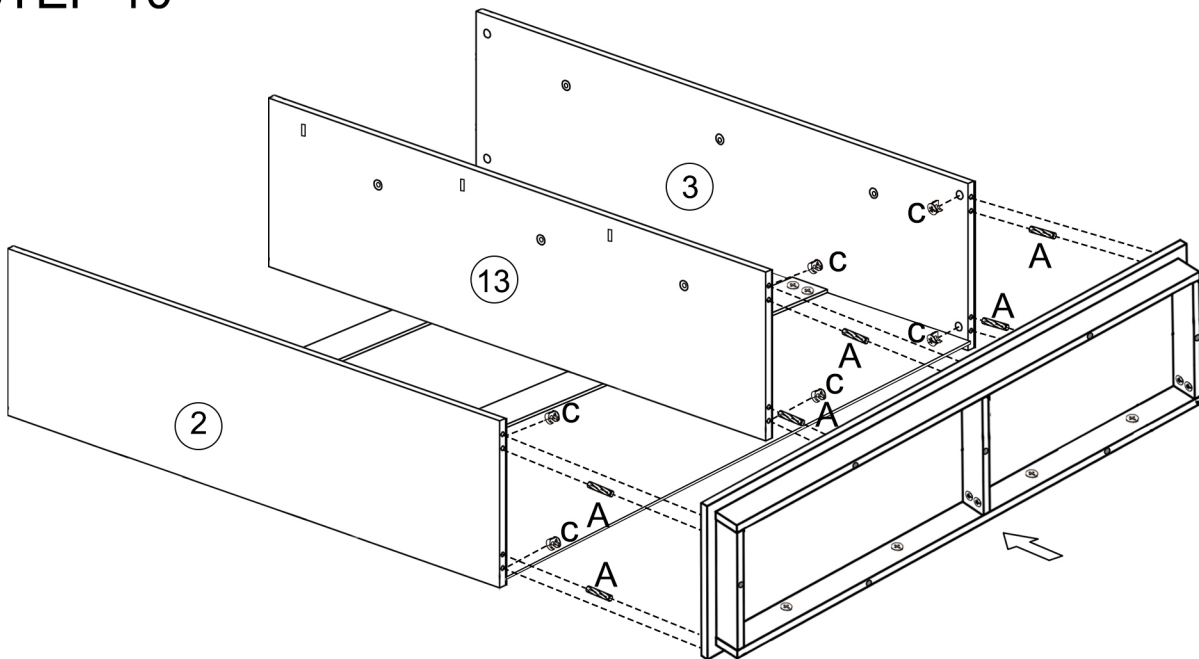
No. C  
Quantity: 2Pcs  
Cam Nut



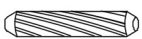
No. K  
Quantity: 1Pc  
Allen Key



# STEP 10



No. A  
Quantity: 6Pcs  
Dowel



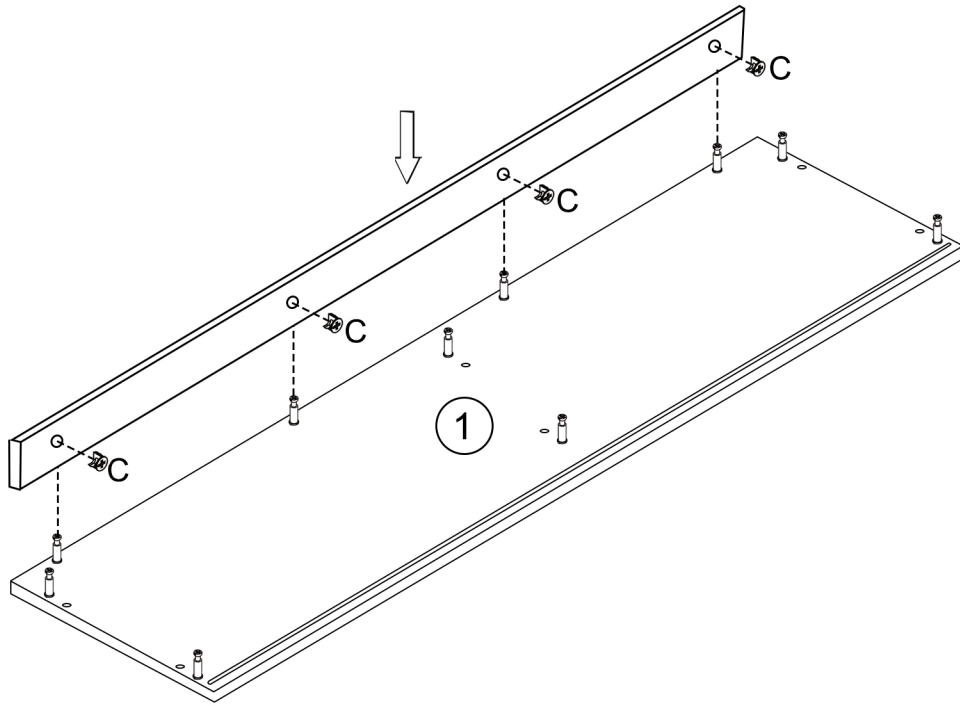
No. C  
Quantity: 6Pcs  
Cam Nut



No. K  
Quantity: 1Pc  
Allen Key



# STEP 11



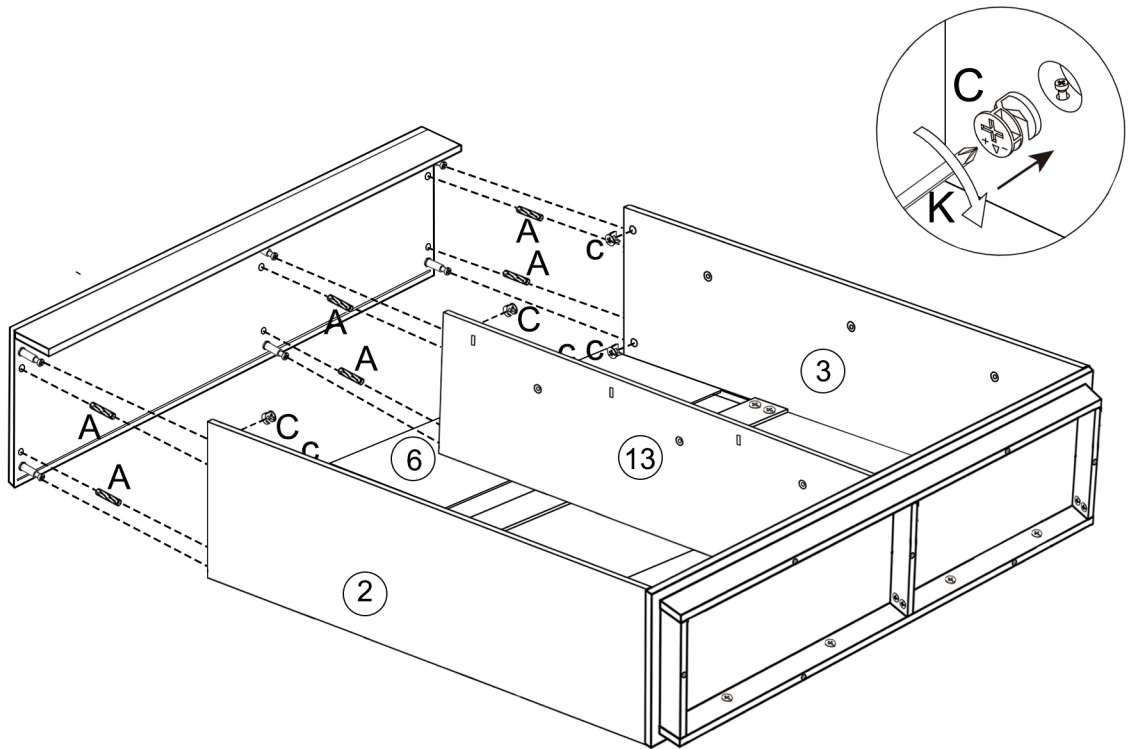
No. C  
Quantity: 4Pcs  
Cam Nut



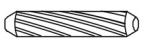
No. K  
Quantity: 1Pc  
Allen Key



# STEP 12



No. A  
Quantity: 6Pcs  
Dowel



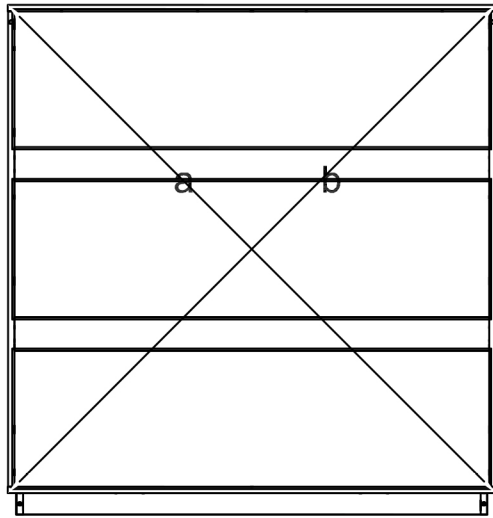
No. C  
Quantity: 6Pcs  
Cam Nut



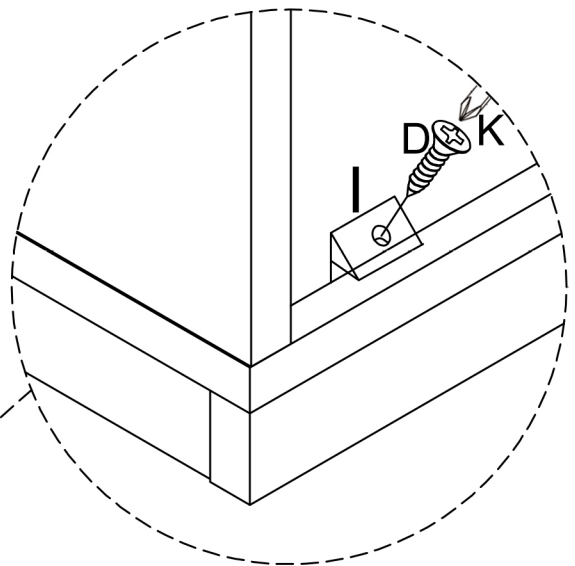
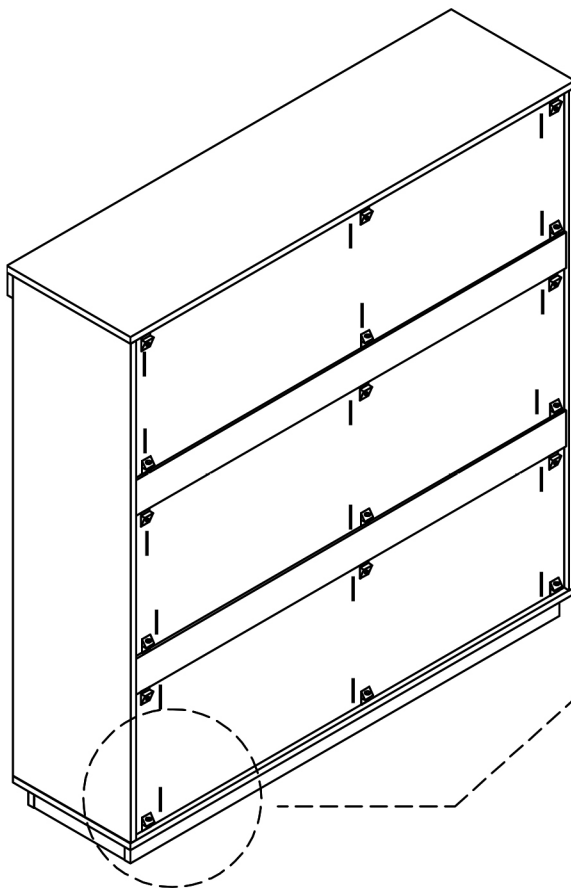
No. K  
Quantity: 1Pc  
Allen Key



# STEP 13



$$a=b \checkmark$$



**No. D**  
Quantity: 18Pcs  
Screw M3.5\*12mm



**No. I**  
Quantity: 18Pcs  
Back Plate Clamp

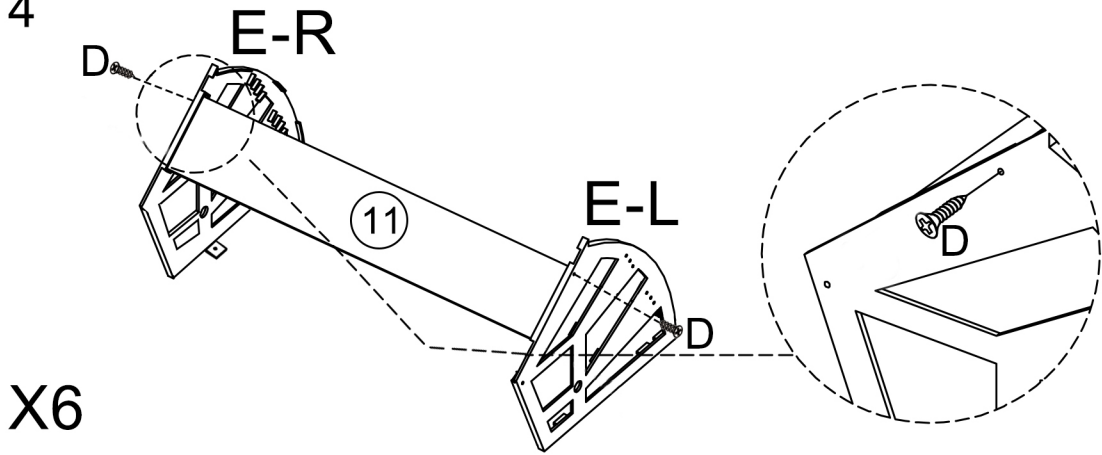


**No. K**  
Quantity: 1Pc  
Allen Key

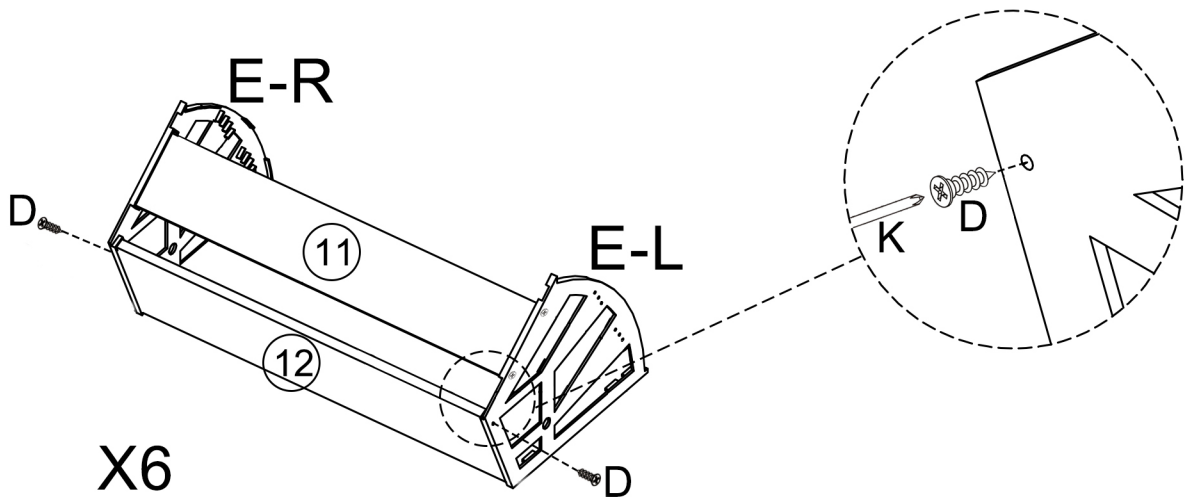




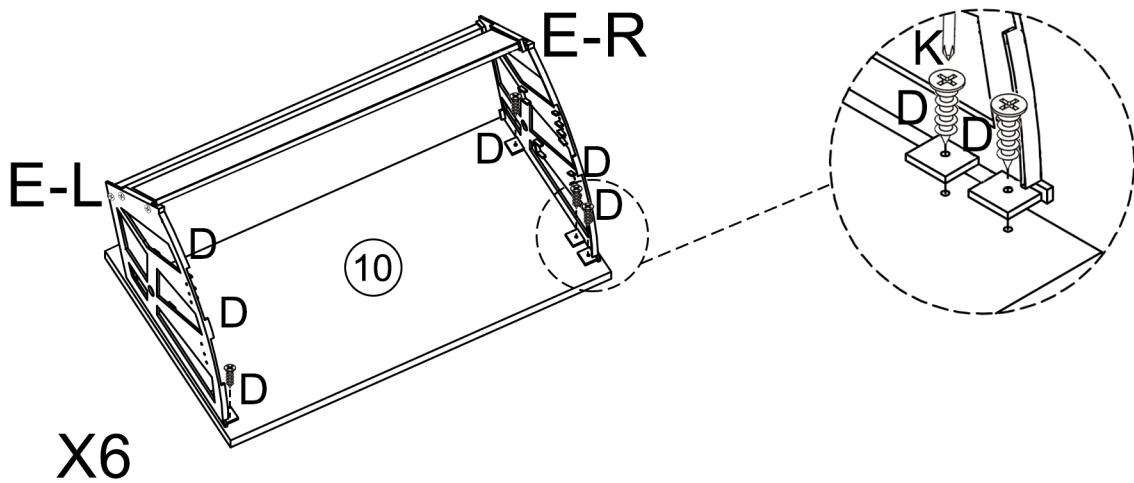
### STEP 14



### STEP 15



### STEP 16



No. D  
Quantity: 60Pcs  
Screw M3.5\*12mm



No. E  
Quantity: 6Pcs  
Reversing Bucket Frame



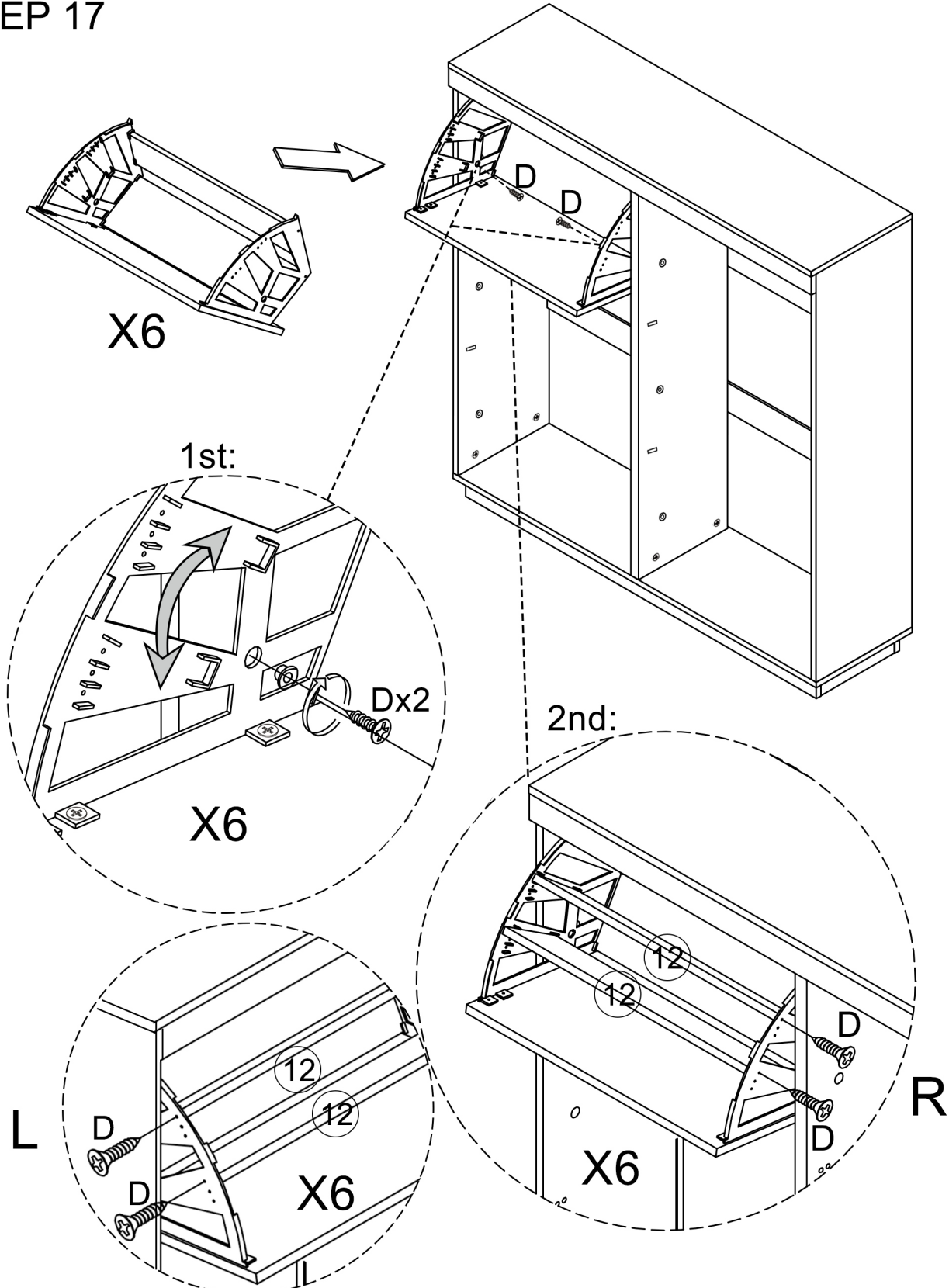
No. K  
Quantity: 1Pc  
Allen Key



No.

CPA-V2-SC1560-WOK 13

# STEP 17



Place the D accessories according to your needs

No. D  
Quantity:36Pcs  
Screw M3.5\*12mm

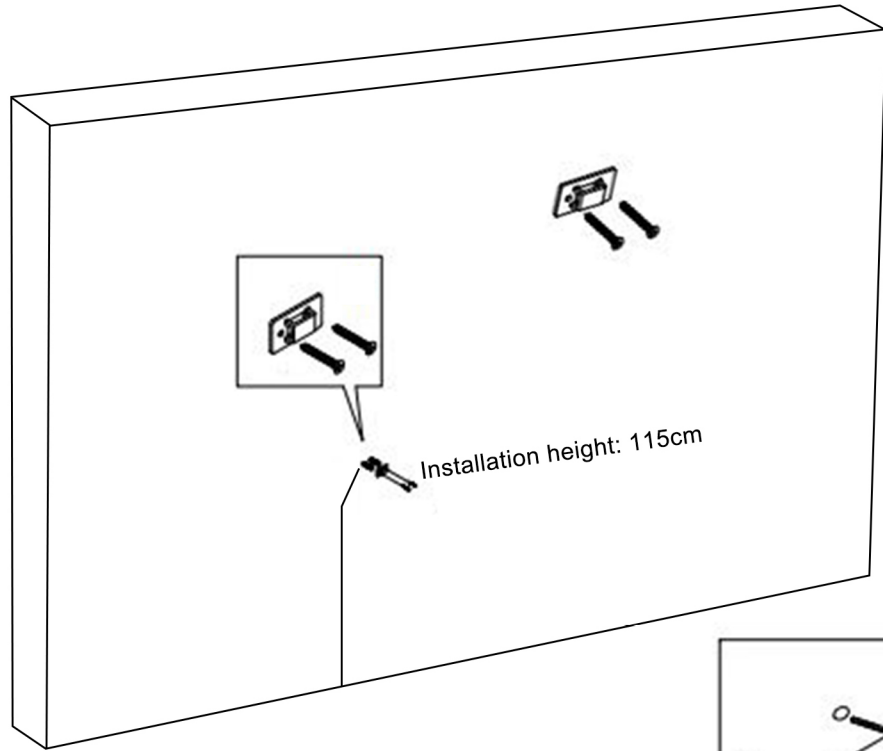
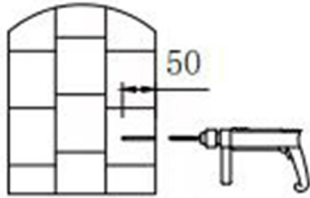


No. K  
Quantity:1Pc  
Allen Key

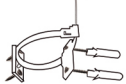


No.

# STEP 18



No. J  
Quantity: 2Pcs  
Anti collapse

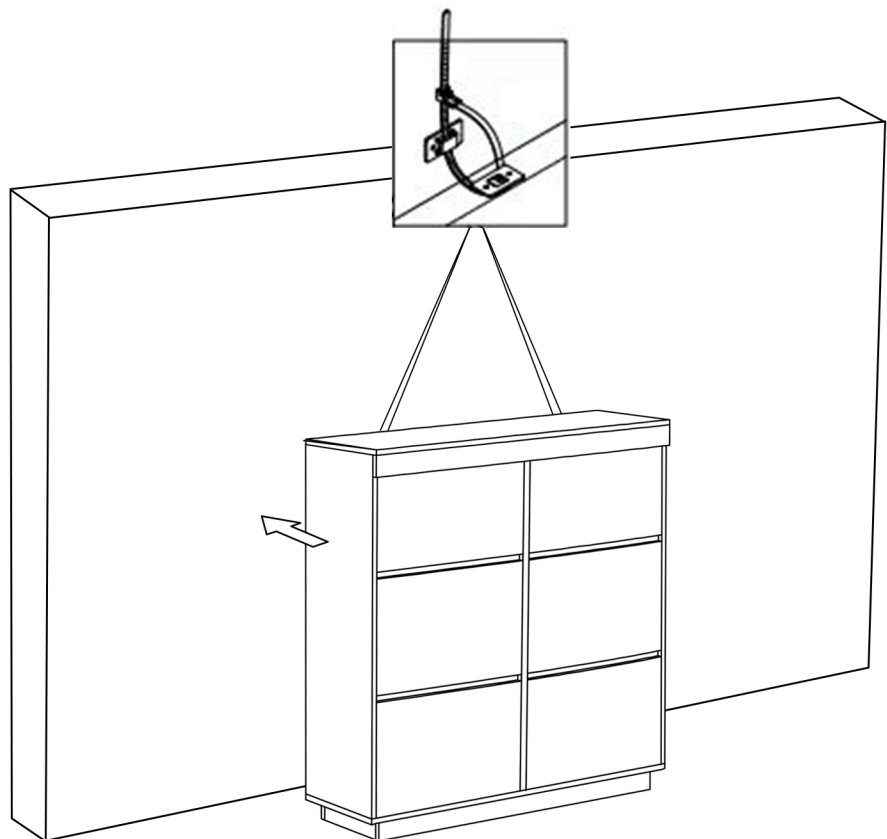
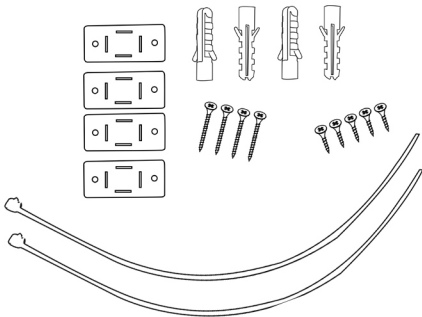


No. K  
Quantity: 1Pc  
Allen Key



# STEP 19

## J Accessories



[lifely.com.au](https://lifely.com.au)

Great job. You're done!

Don't forget to share how it looks in  
your space and tag us on Instagram.

[@lifelyhome](#) [#homewithlifely!](#)