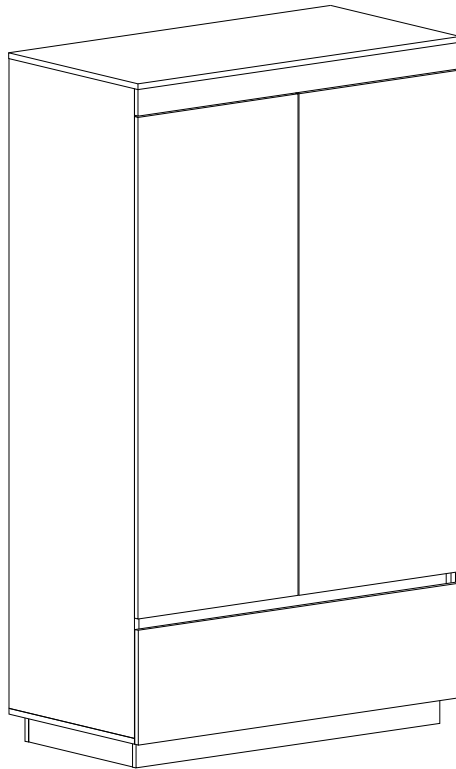


*Please Keep For Future Reference Only.

CUPPA SERIES ASSEMBLY INSTRUCTION



Dimensions

Width:1050mm

Depth:540mm

Height:1800mm

CUPPA WARDRODE

IMPORTANT:-
PLEASE READ THESE INSTRUCTION CAREFULLY BEFORE STARTING ASSEMBLY.

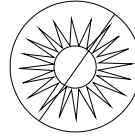
IMPORTANT TIPS AND MAINTENANCE



i) Keep children and animal away to avoid choking hazard.



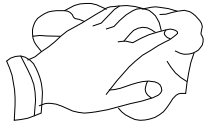
ii) Never put the liquid on the furniture.



iii) To avoid dulling, do not place directly to the sunlight.



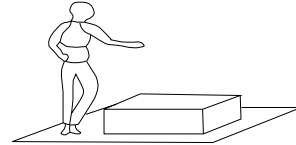
iv) Never use ammonia cleaning product, because it will damage the finish.



v) Use a dry cloth to wipe clean the surface.




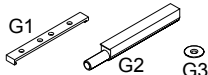



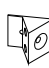




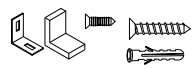

vi) Two person required.

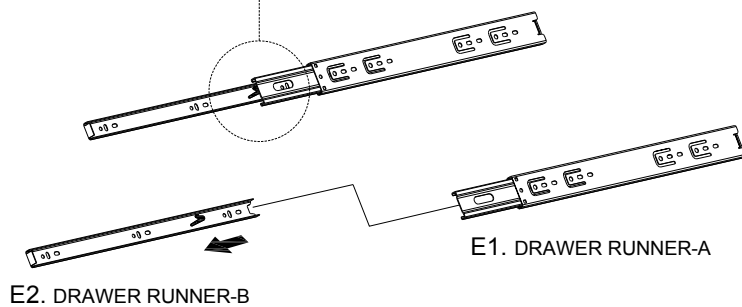
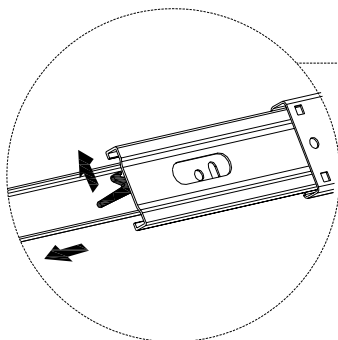


vii) Put a soft mat on the floor to protect the furniture before assembly.

COMPONENTS:- HARDWARE

Please check you have all the fittings part or tools are listed in below.

NO.	FITTINGS/TOOLS	QTY	NO.	FITTINGS/TOOLS	QTY
A.	 DOWEL 8x40MM	36 Pcs	G.	 G1 G2 G3	2 Sets
B.	 CAMBOLT+CAMNUT	60 Sets	H.		4 Pcs
C.	 SCREW M3.5x14MM	80 Pcs	I.		28 Pcs
D.	 SCREW M3.5x35MM	6 Pcs	J.		6 Pcs
E.	 DRAWER RUNNER-A&B	4 Pcs	K.		2 Pcs
F.		2 Sets	L.	 HANGING POLE	1 Pc

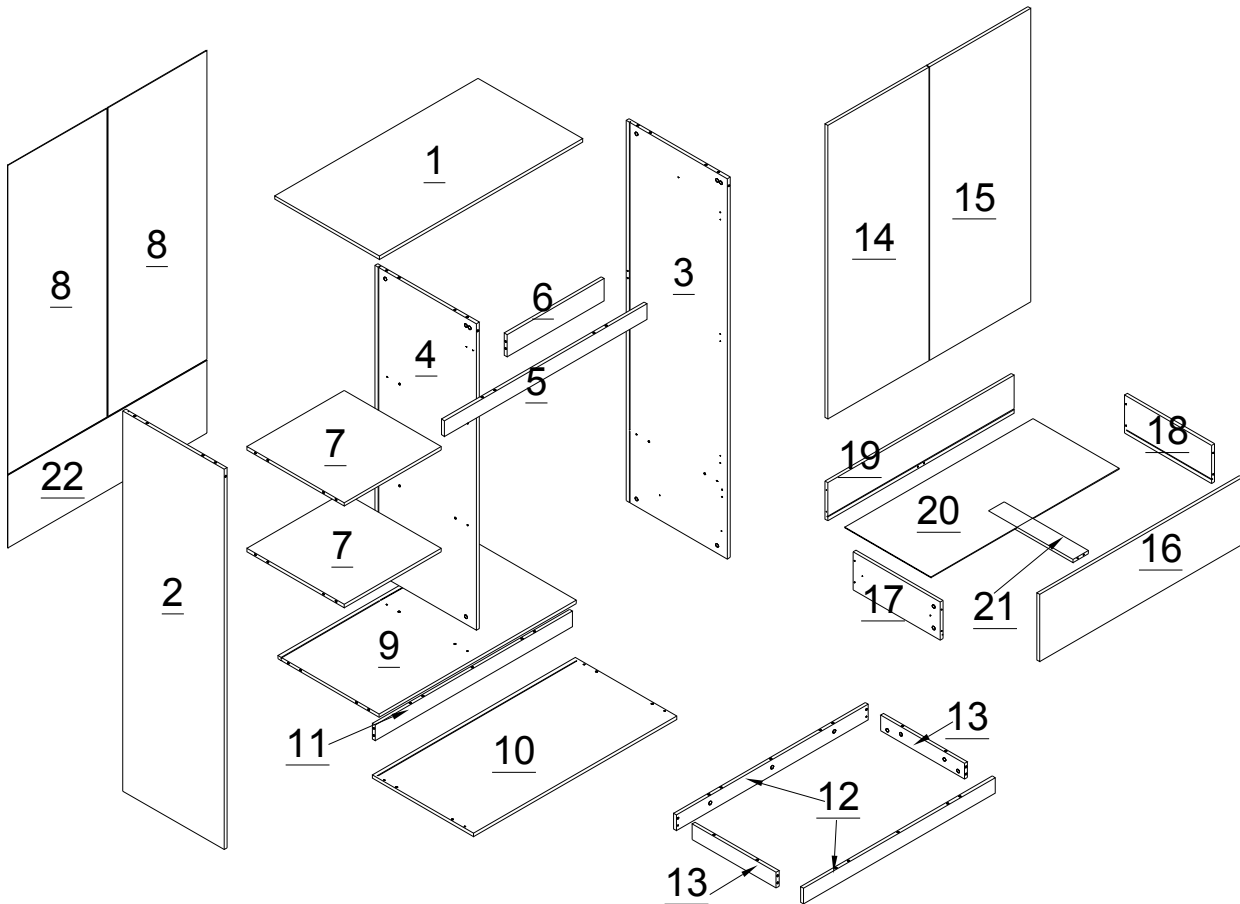


E2. DRAWER RUNNER-B

E1. DRAWER RUNNER-A

COMPONENTS:-
PANELS

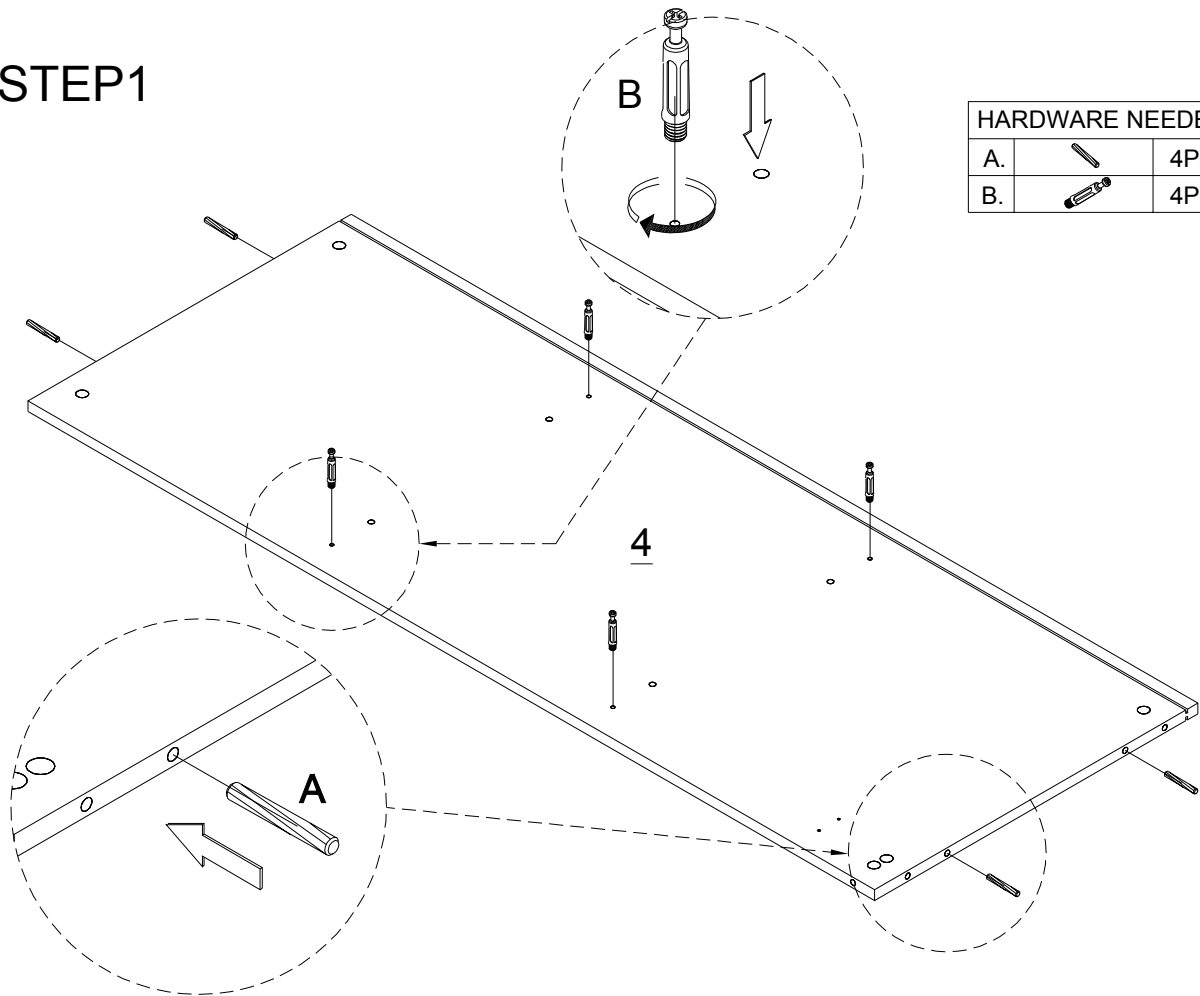
Please check you have all the panels are listed below.





PARTLIST

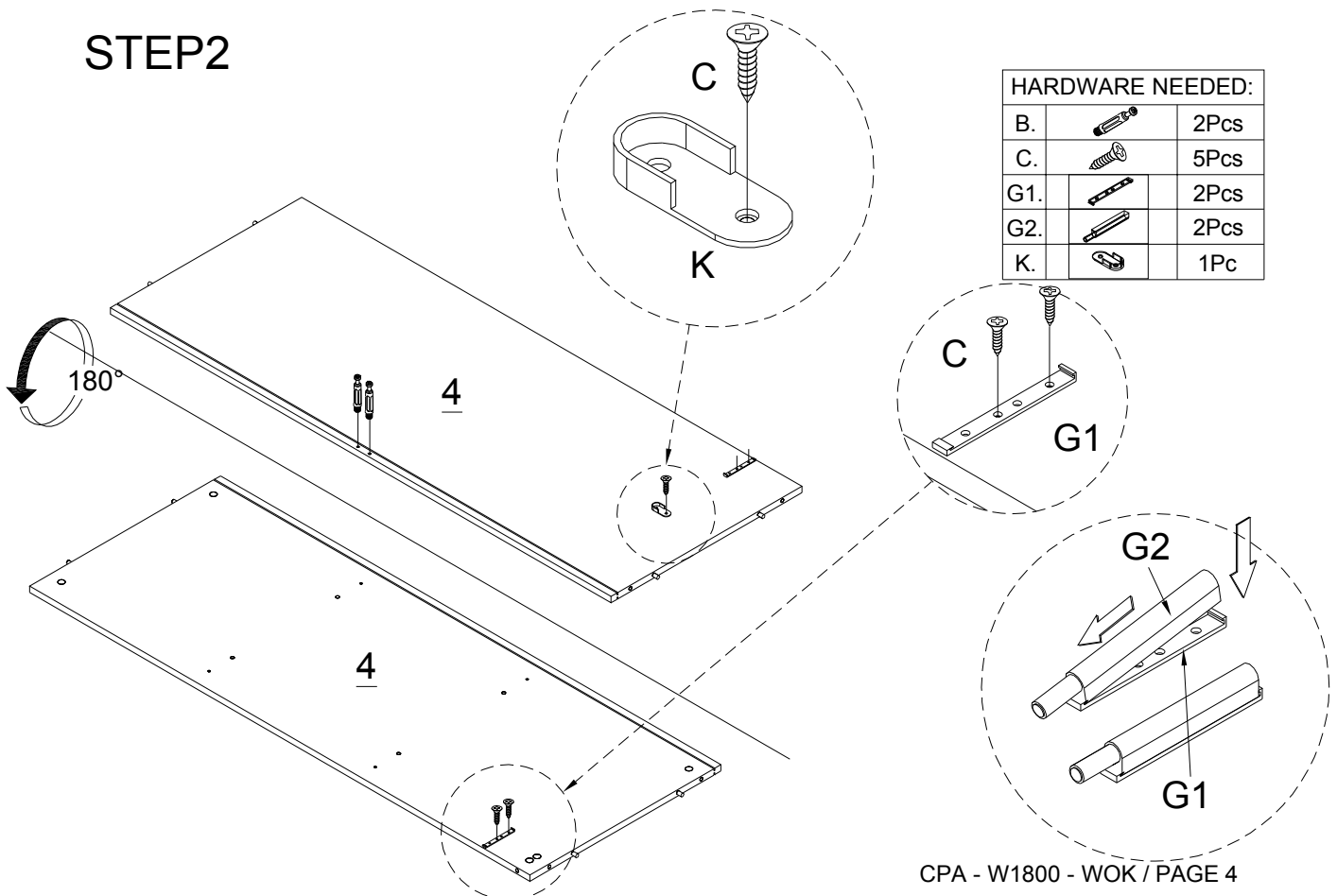
1	TOP	1pc	12	BASE	2pcs
2	SIDE PANEL-L	1pc	13	BASE SIDE	2pcs
3	SIDE PANEL-R	1pc	14	DOOR-L	1pc
4	CENTRE PANEL	1pc	15	DOOR-R	1pc
5	CHEST BRACE PANEL	1pc	16	DRAWER FRONT	1pc
6	BACK BRACE PANEL	1pc	17	DRAWER SIDE-L	1pc
7	SHELVES PANEL	2pcs	18	DRAWER SIDE-R	1pc
8	BACK PANEL UP	2pcs	19	DRAWER BACK	1pc
9	MIDDLE PANEL	1pc	20	DRAWER BASE	1pc
10	BOTTOM PANEL	1pc	21	DRAWER BOTTOM BRACE	1pc
11	FRONT PANEL	1pc	22	BACK PANEL DOWN	1pc

STEP1



HARDWARE NEEDED:		
A.		4Pcs
B.		4Pcs

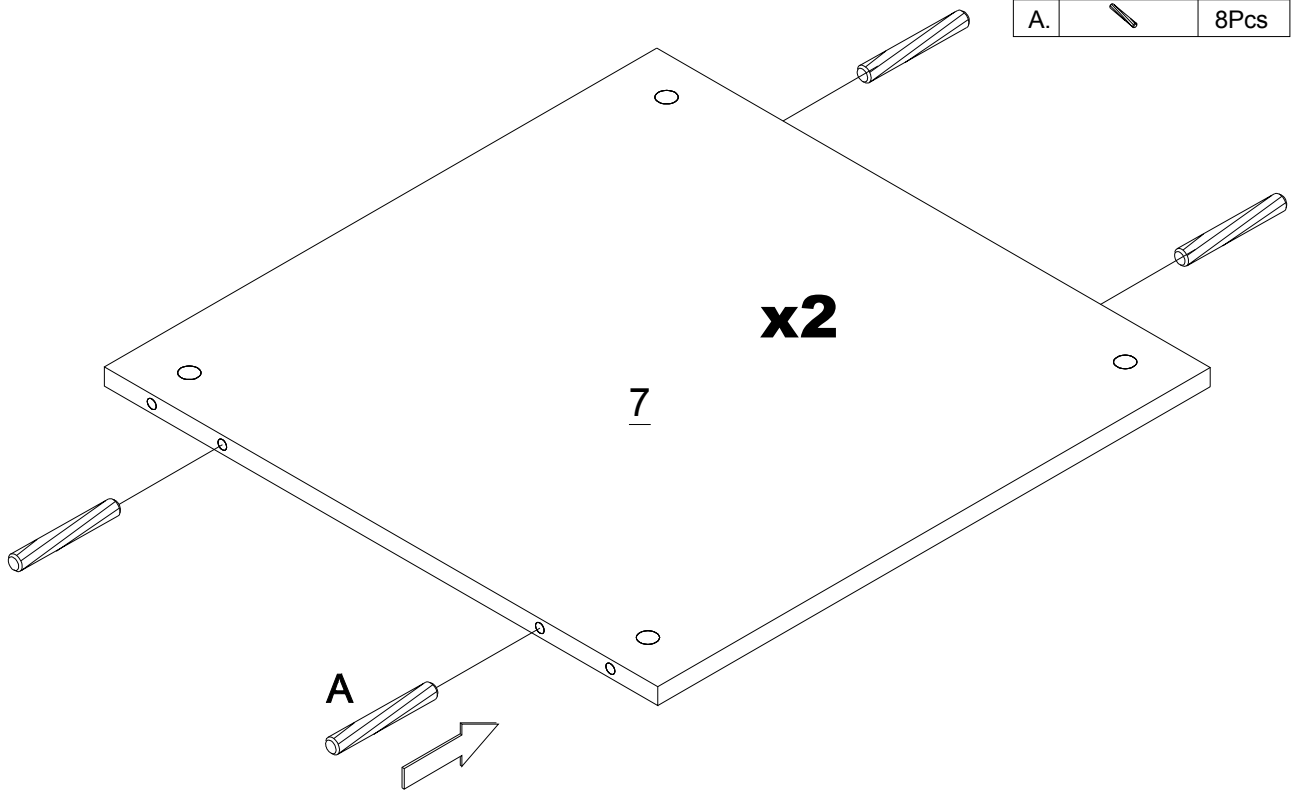
STEP2



HARDWARE NEEDED:		
B.		2Pcs
C.		5Pcs
G1.		2Pcs
G2.		2Pcs
K.		1Pc

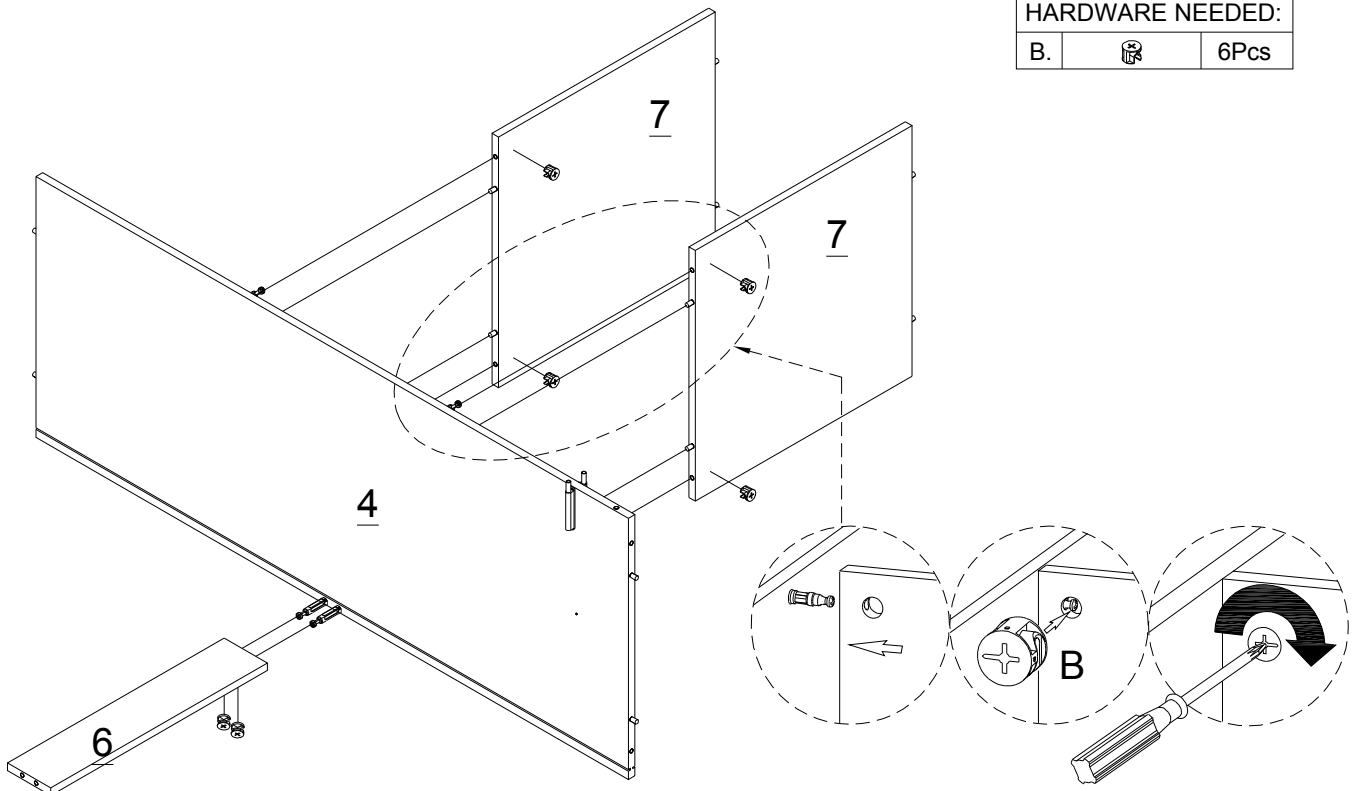
STEP3

HARDWARE NEEDED:		
A.		8Pcs

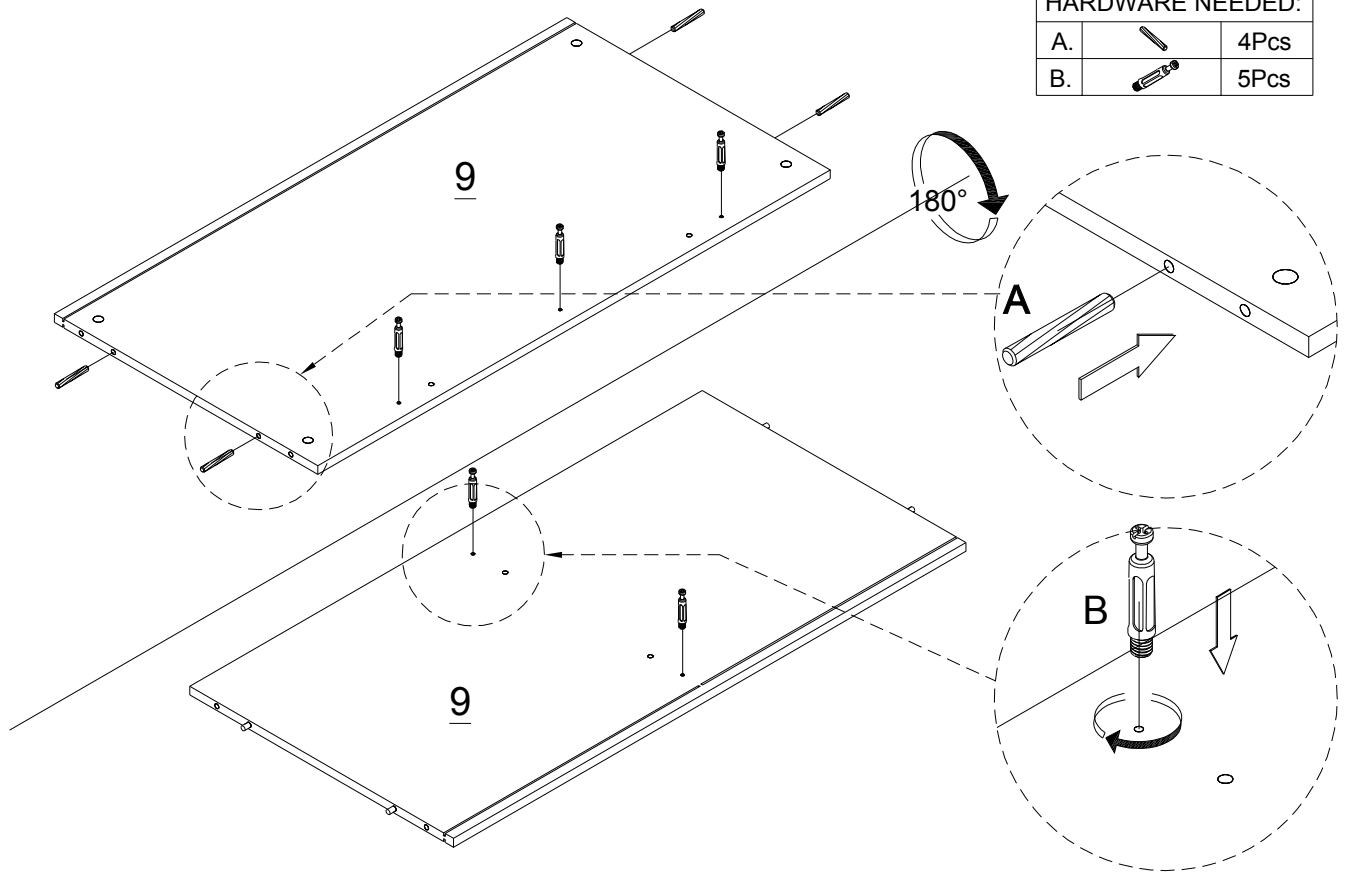




STEP4

HARDWARE NEEDED:		
B.		6Pcs

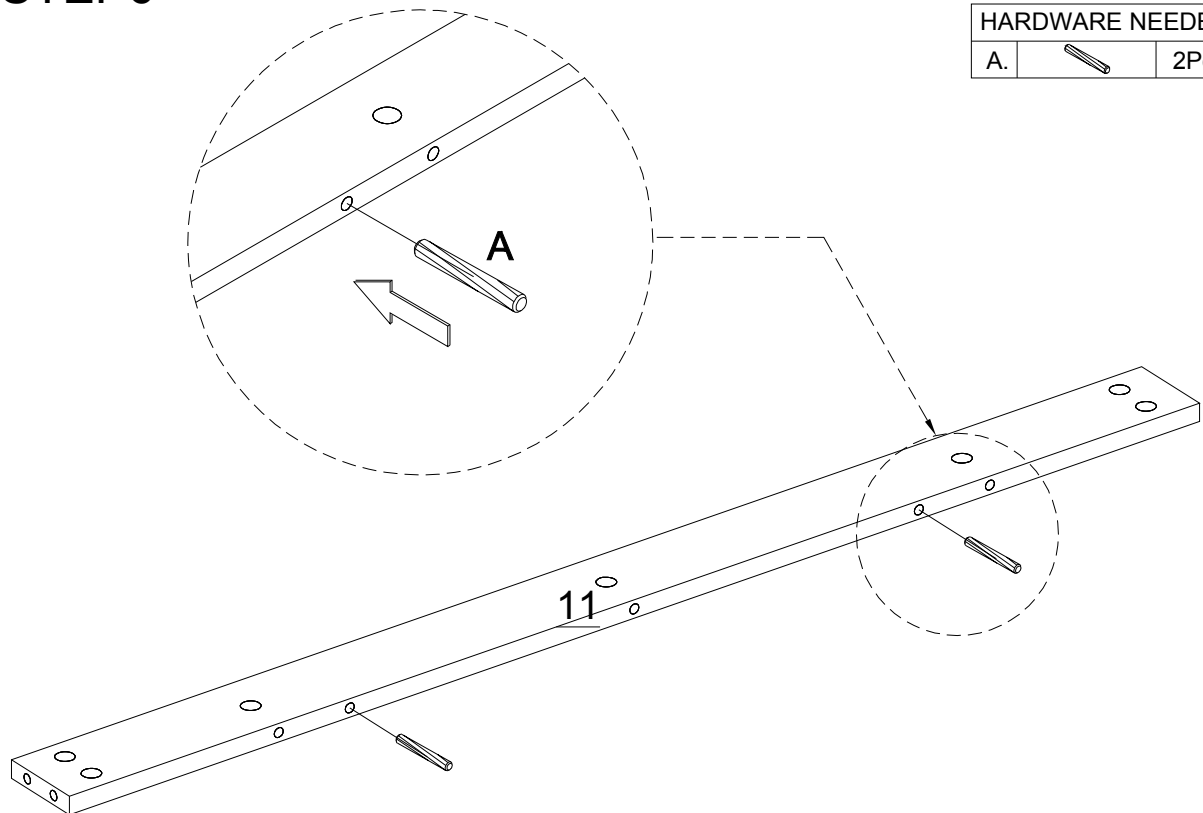


STEP5



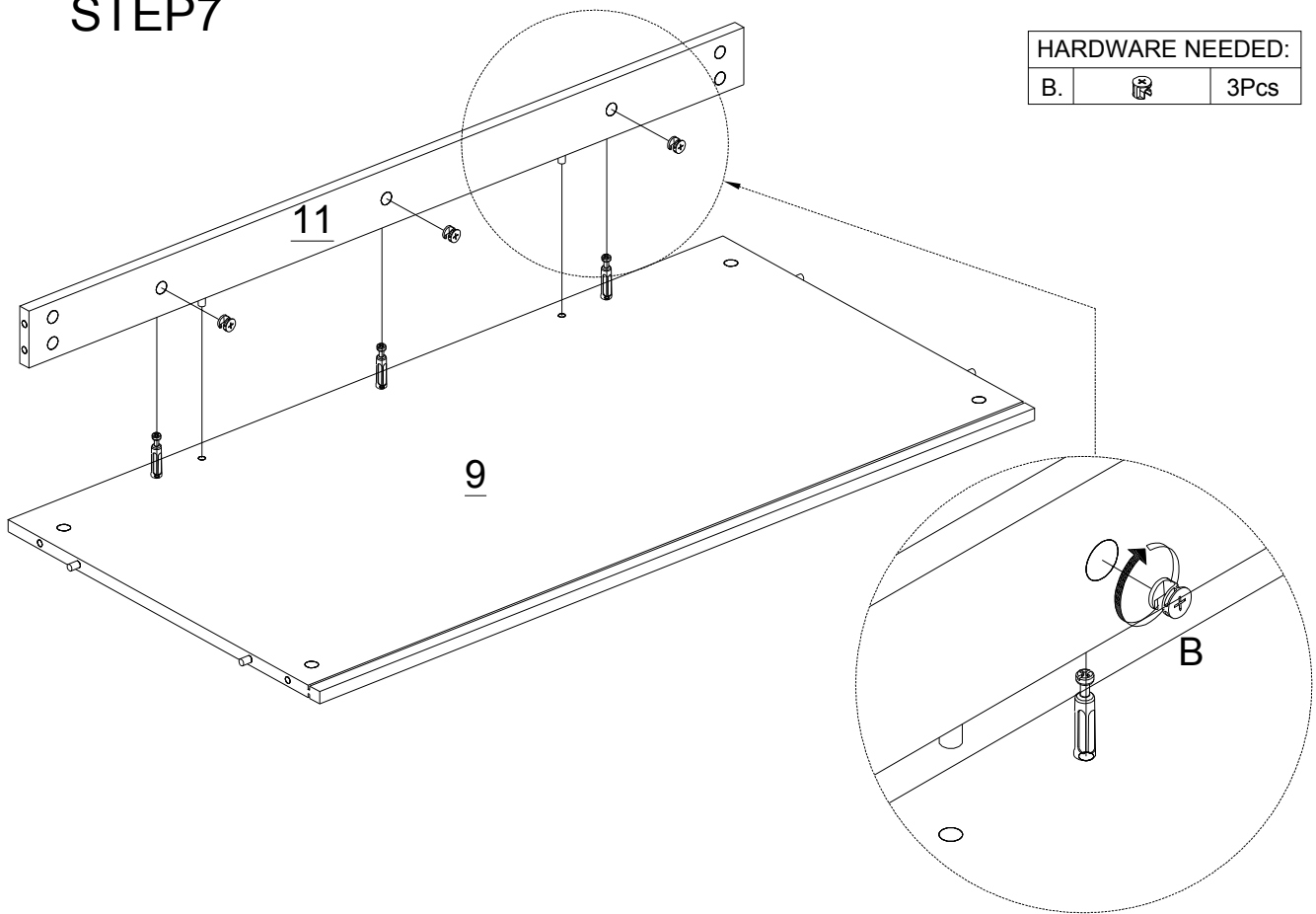
HARDWARE NEEDED:		
A.		4Pcs
B.		5Pcs

STEP6



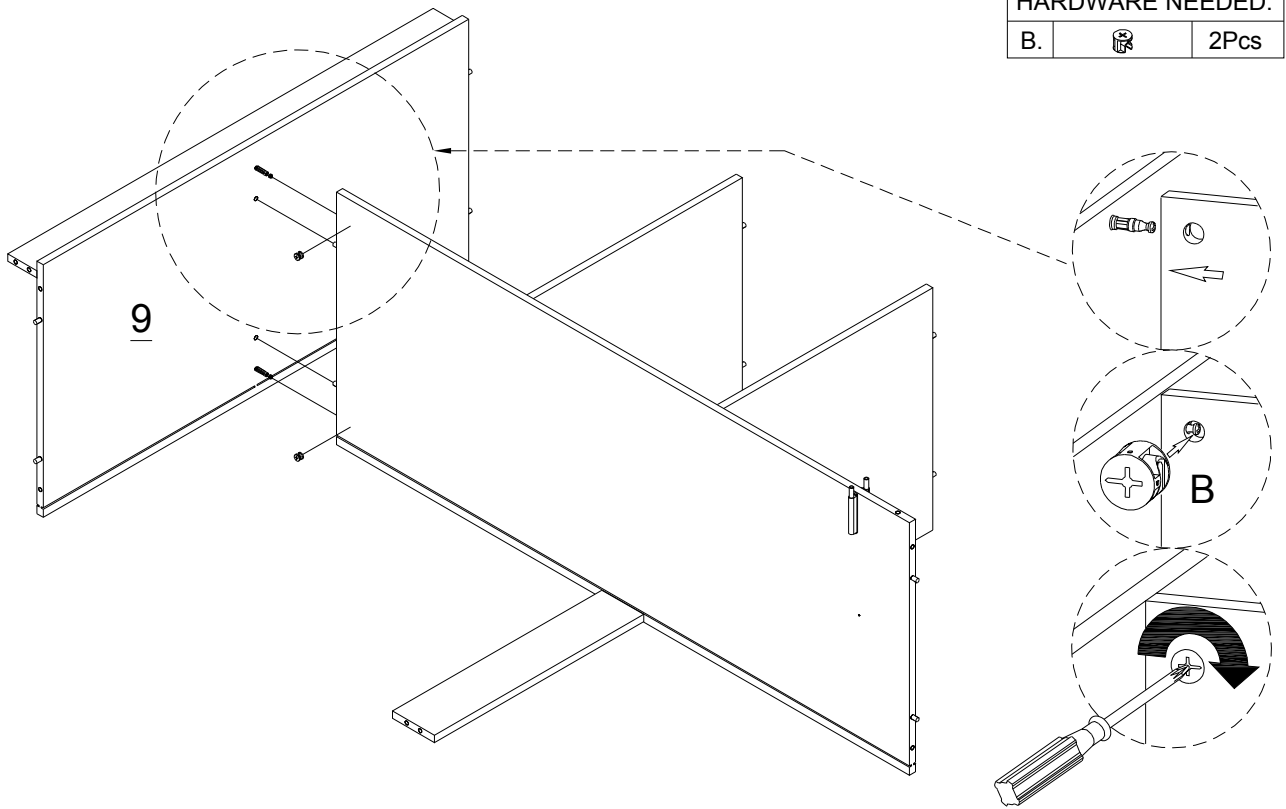
HARDWARE NEEDED:		
A.		2Pcs

STEP7





HARDWARE NEEDED:		
B.		3Pcs

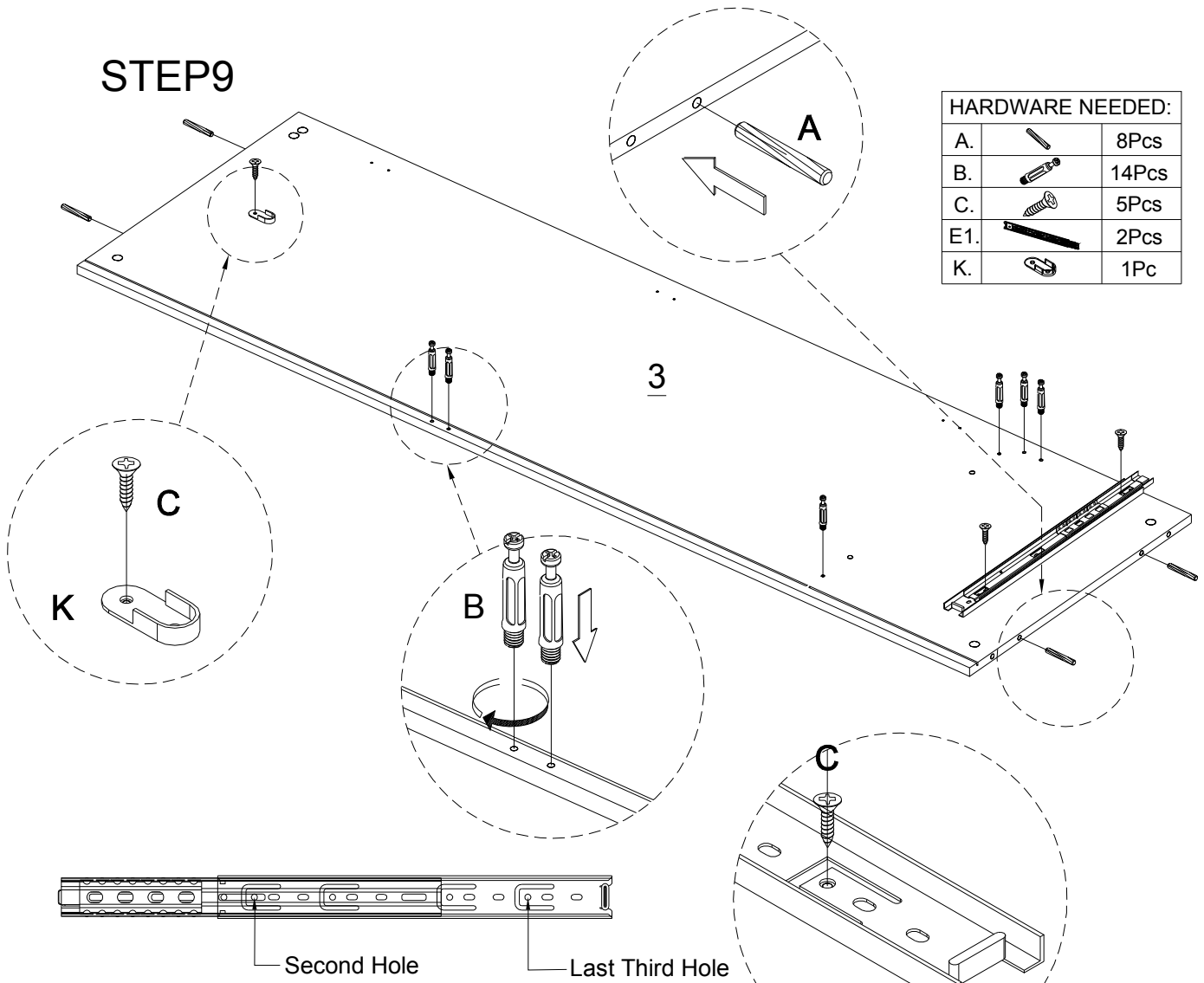
STEP8



HARDWARE NEEDED:		
B.		2Pcs

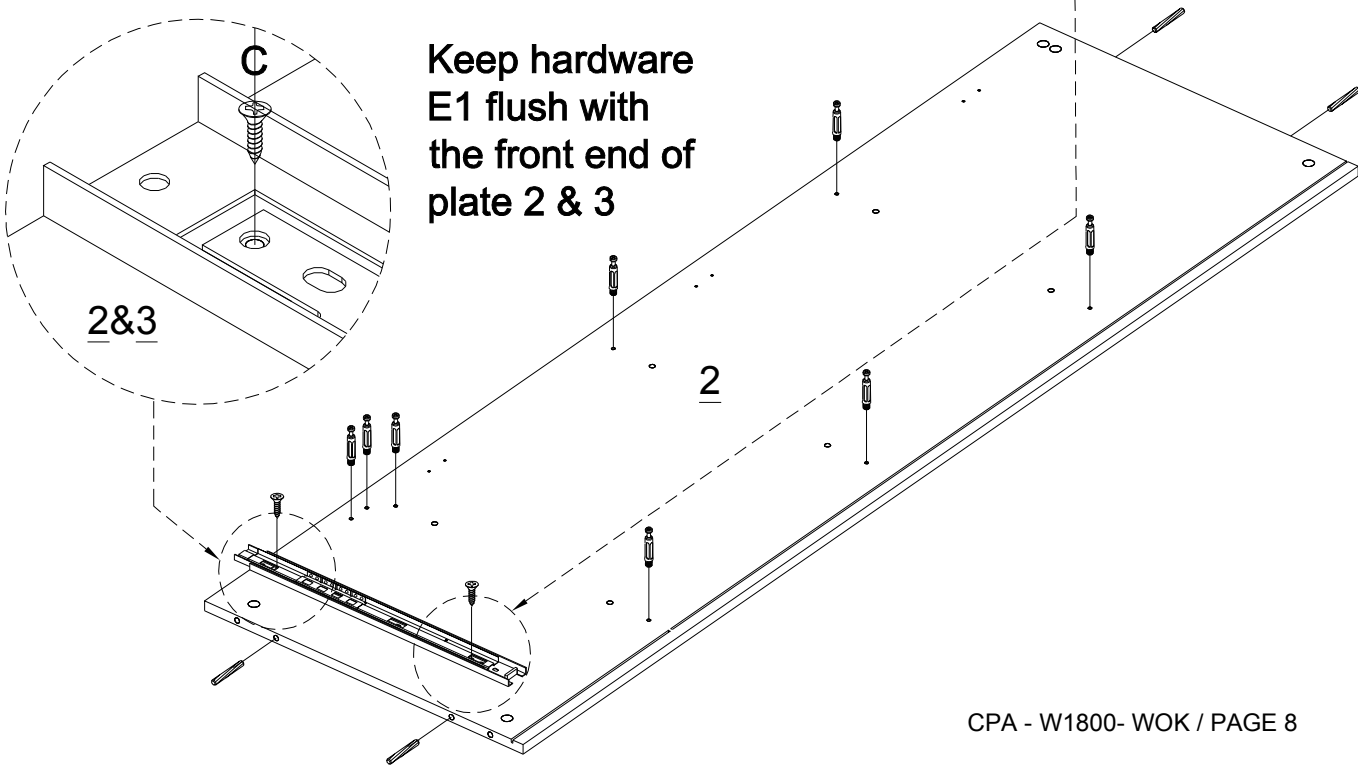
STEP 9

HARDWARE NEEDED:		
A.		8Pcs
B.		14Pcs
C.		5Pcs
E1.		2Pcs
K.		1Pc



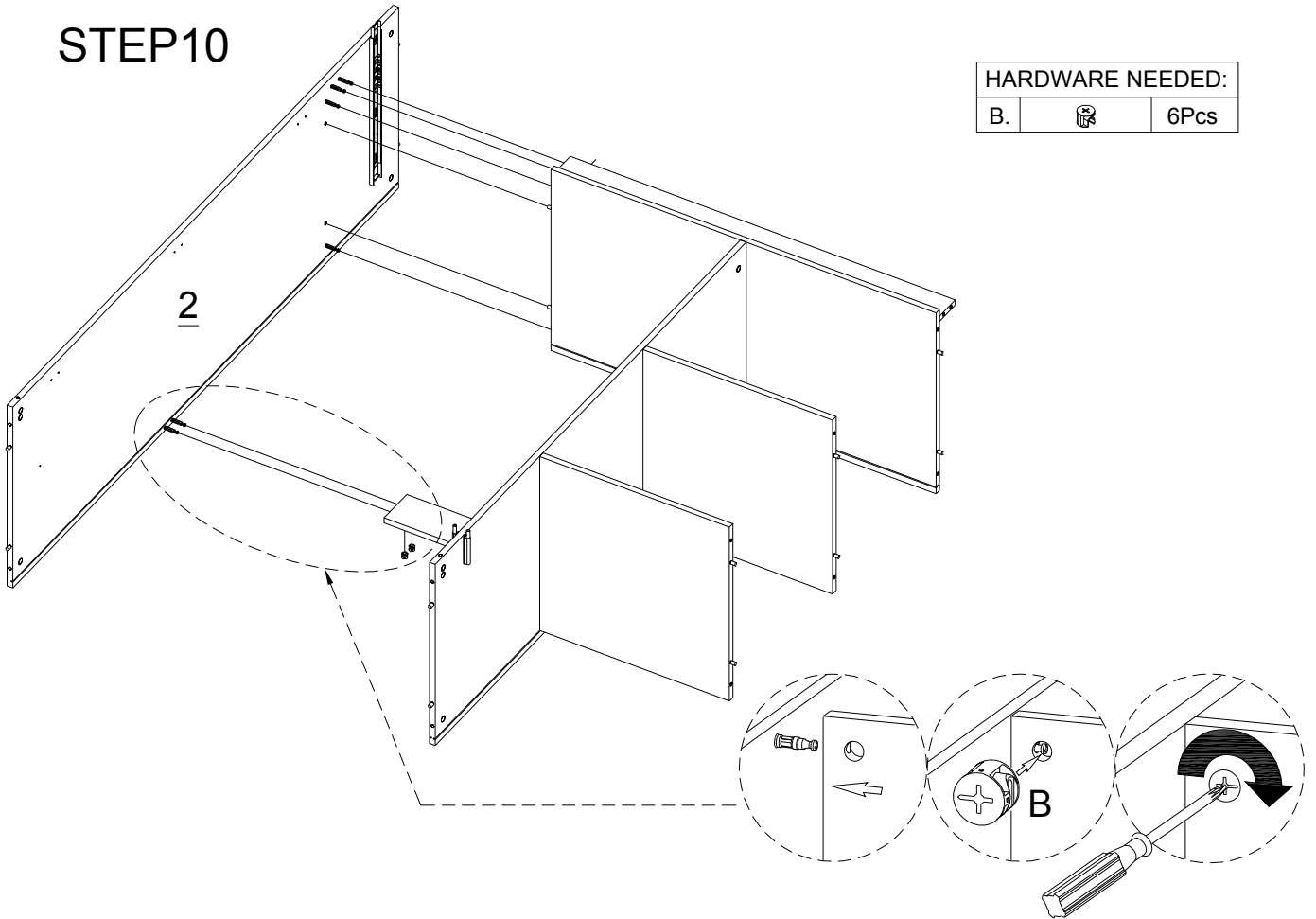
SCREW MUST BE INSERTED
IN THE SECOND HOLE ON THE
DRAWER RUNNER

Keep hardware
E1 flush with
the front end of
plate 2 & 3



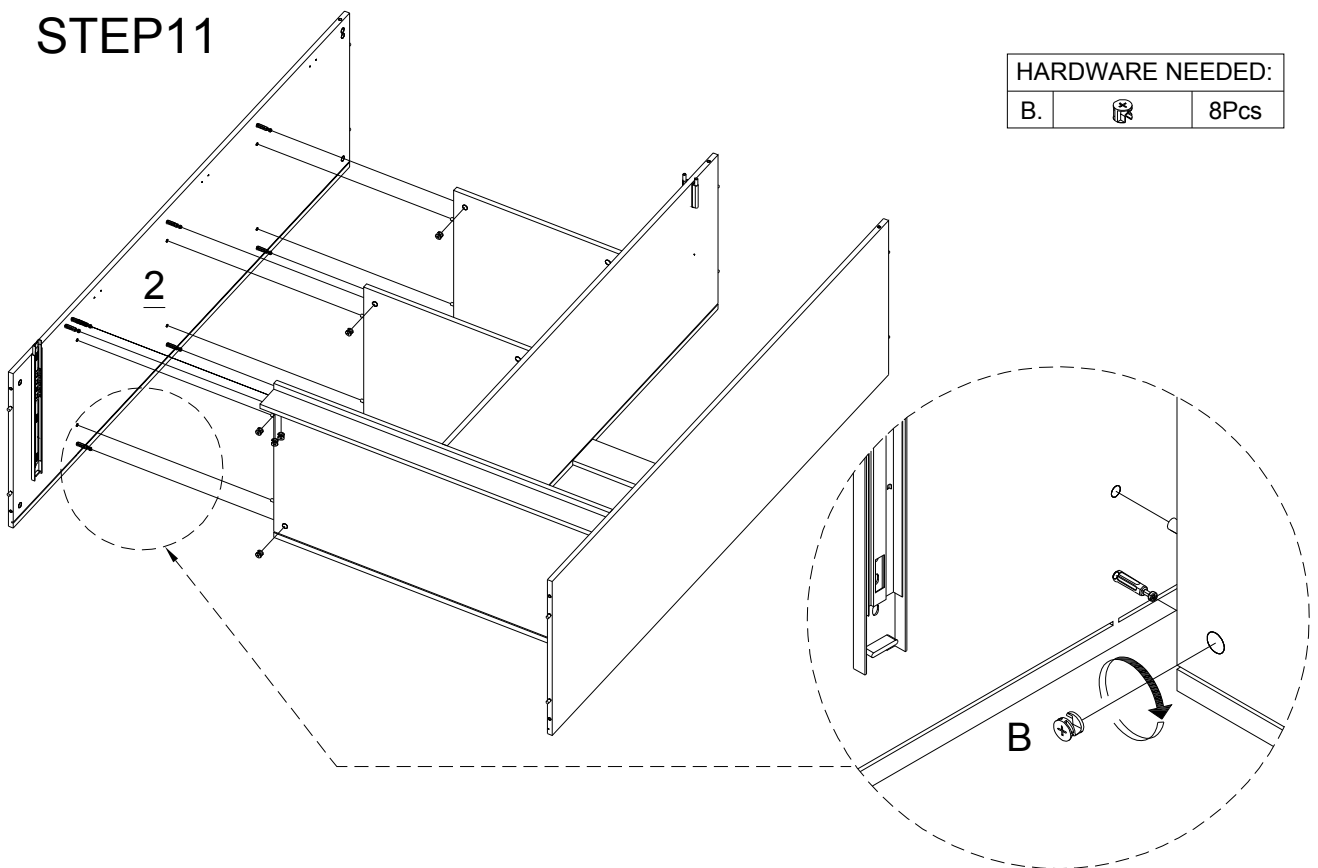
STEP10

HARDWARE NEEDED:		
B.		6Pcs

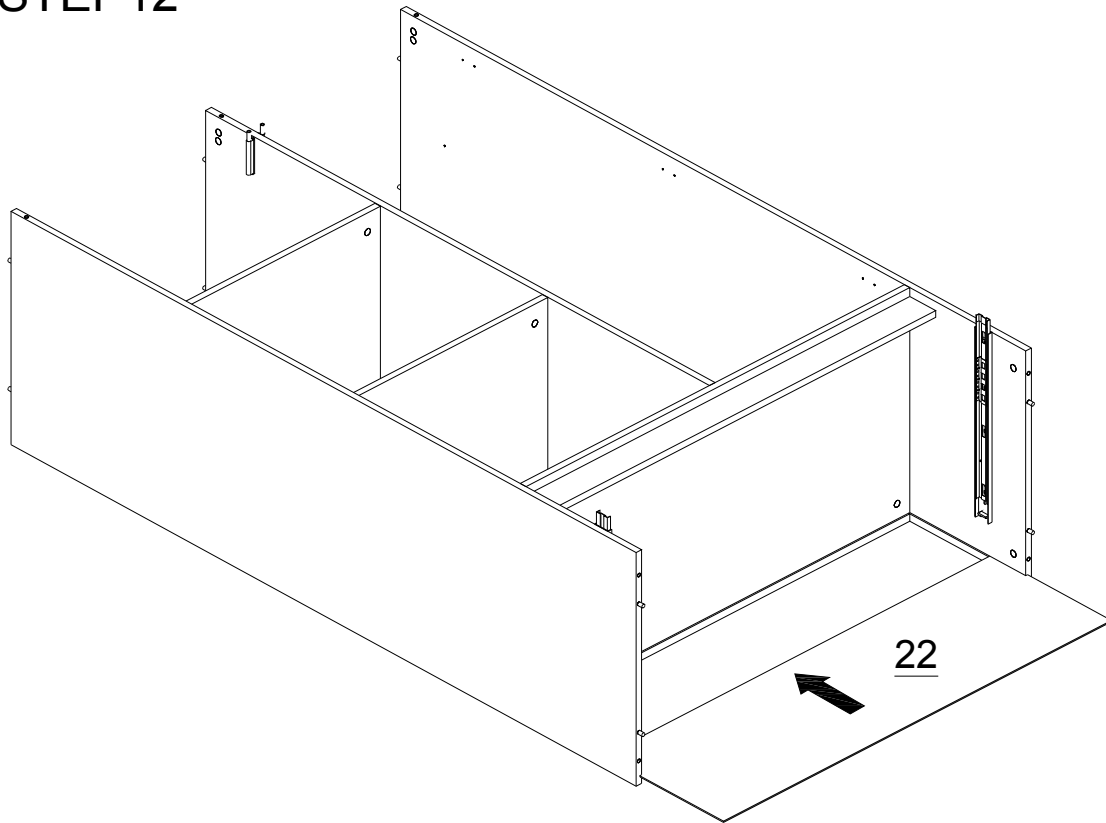


STEP11

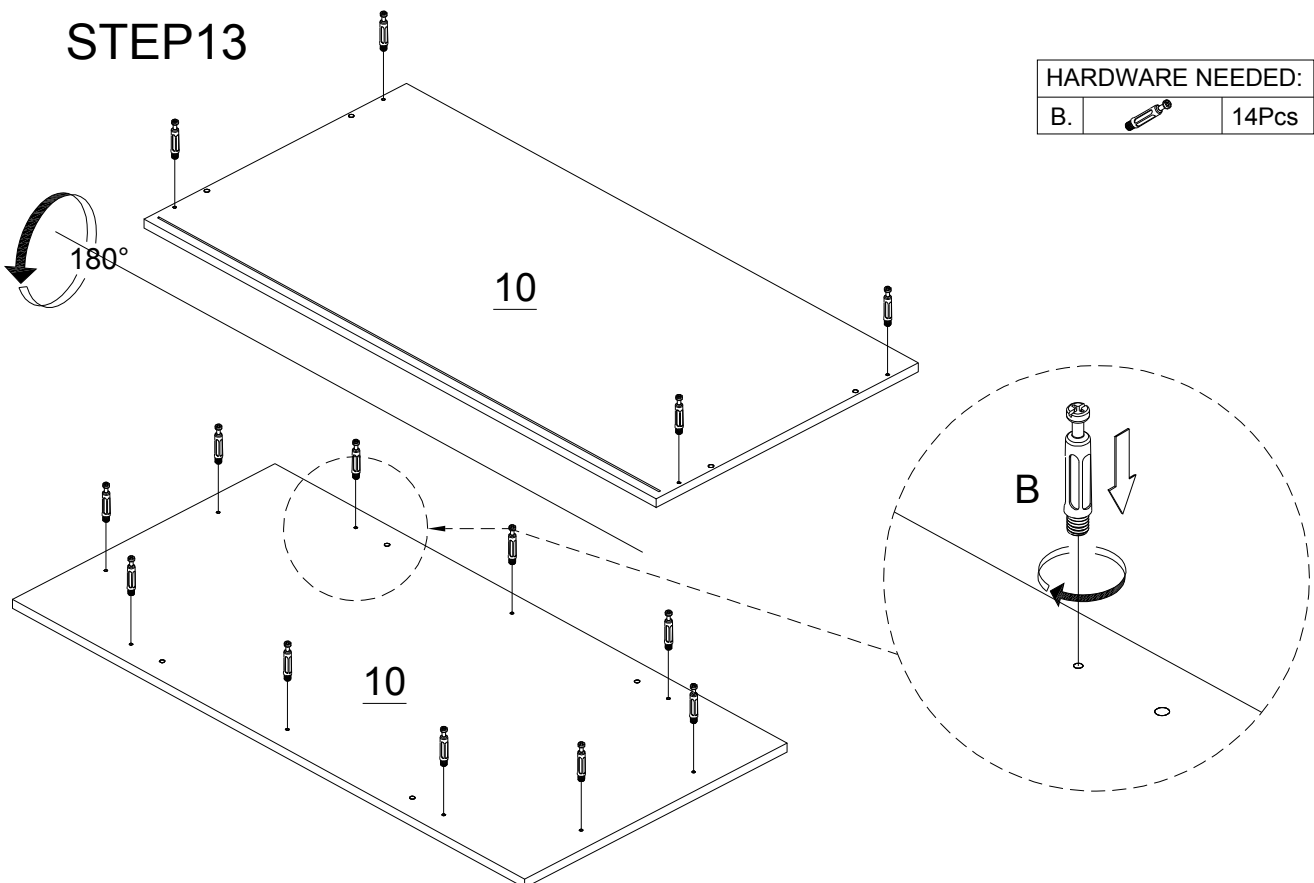
HARDWARE NEEDED:		
B.		8Pcs



STEP12

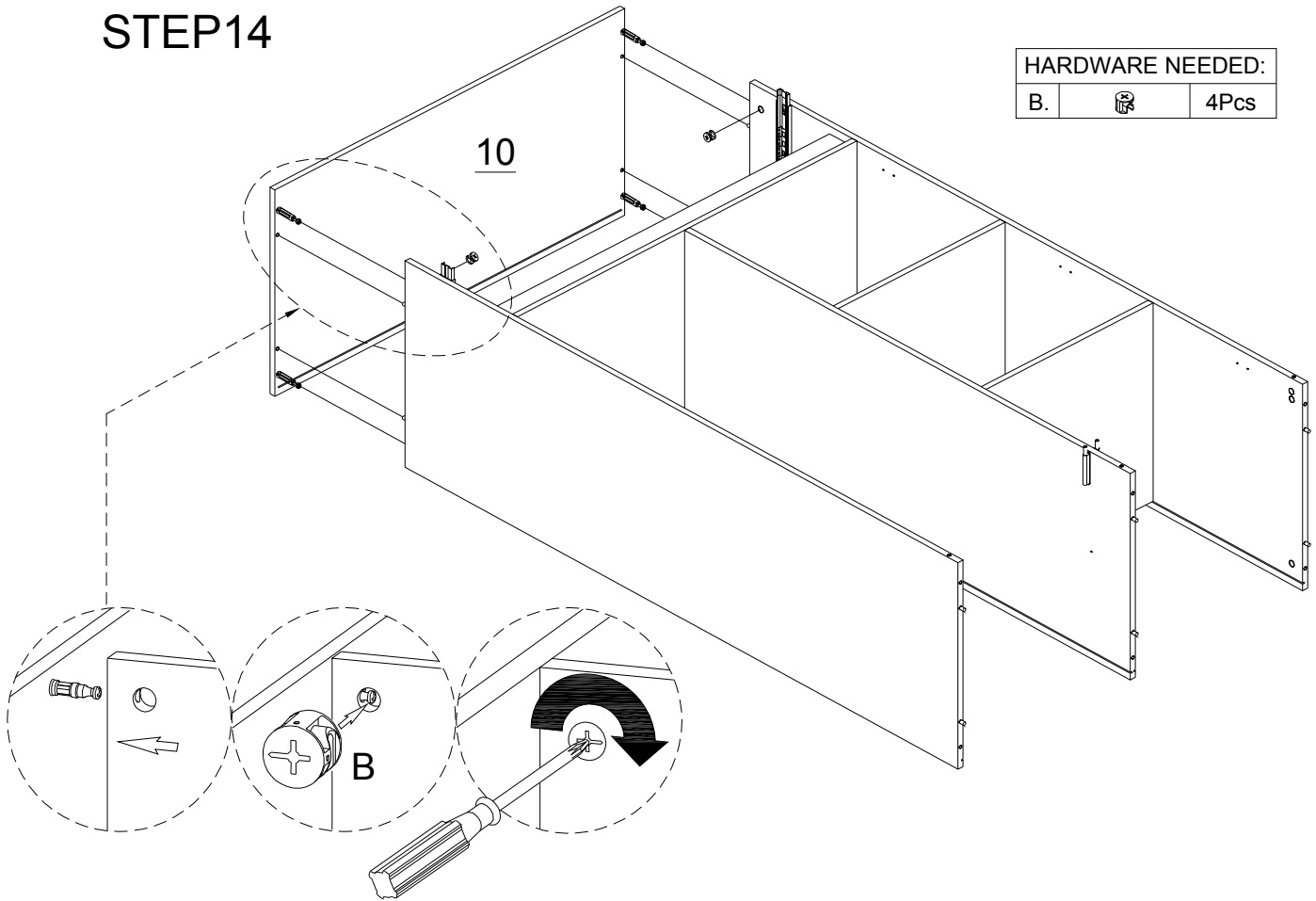


STEP13





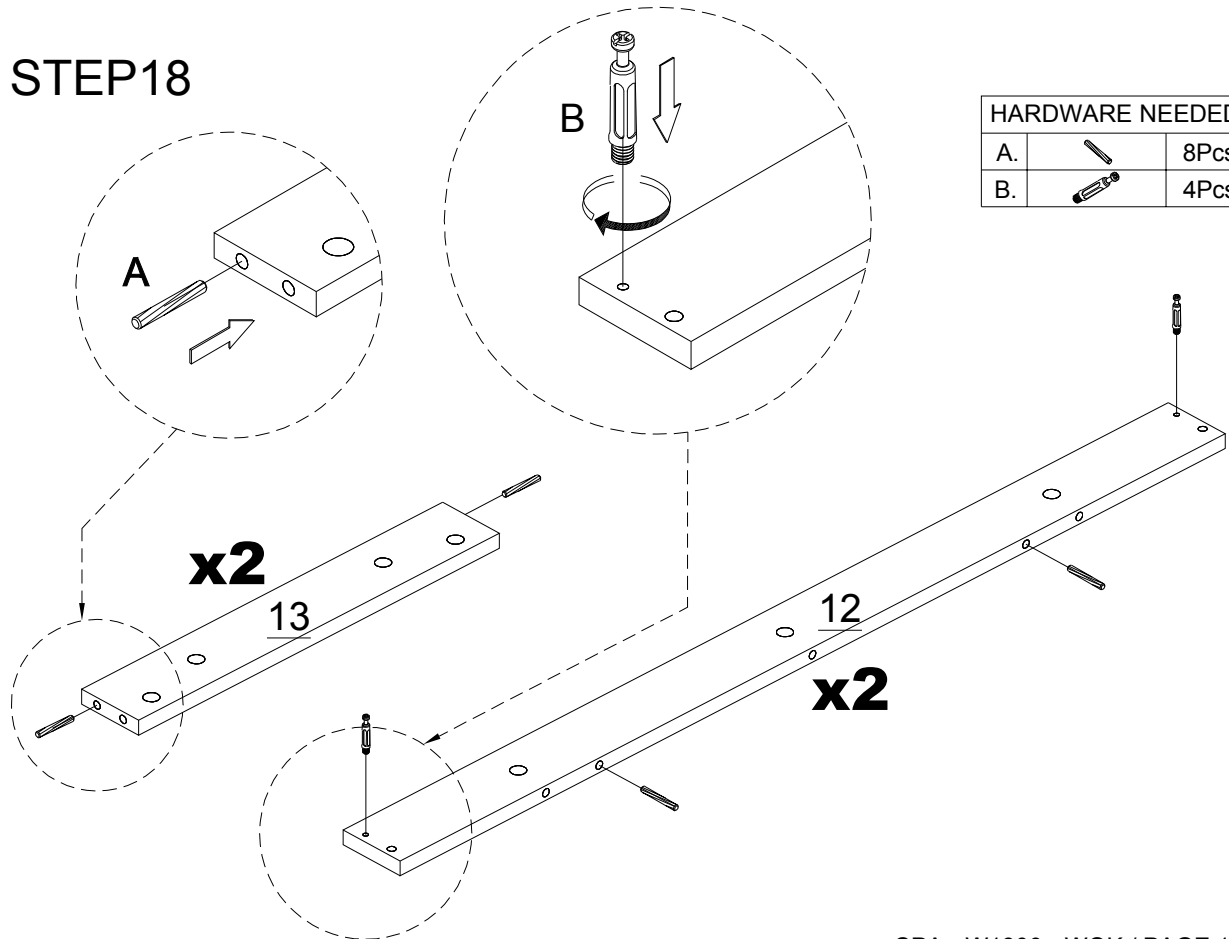
STEP14

HARDWARE NEEDED:		
B.		4Pcs

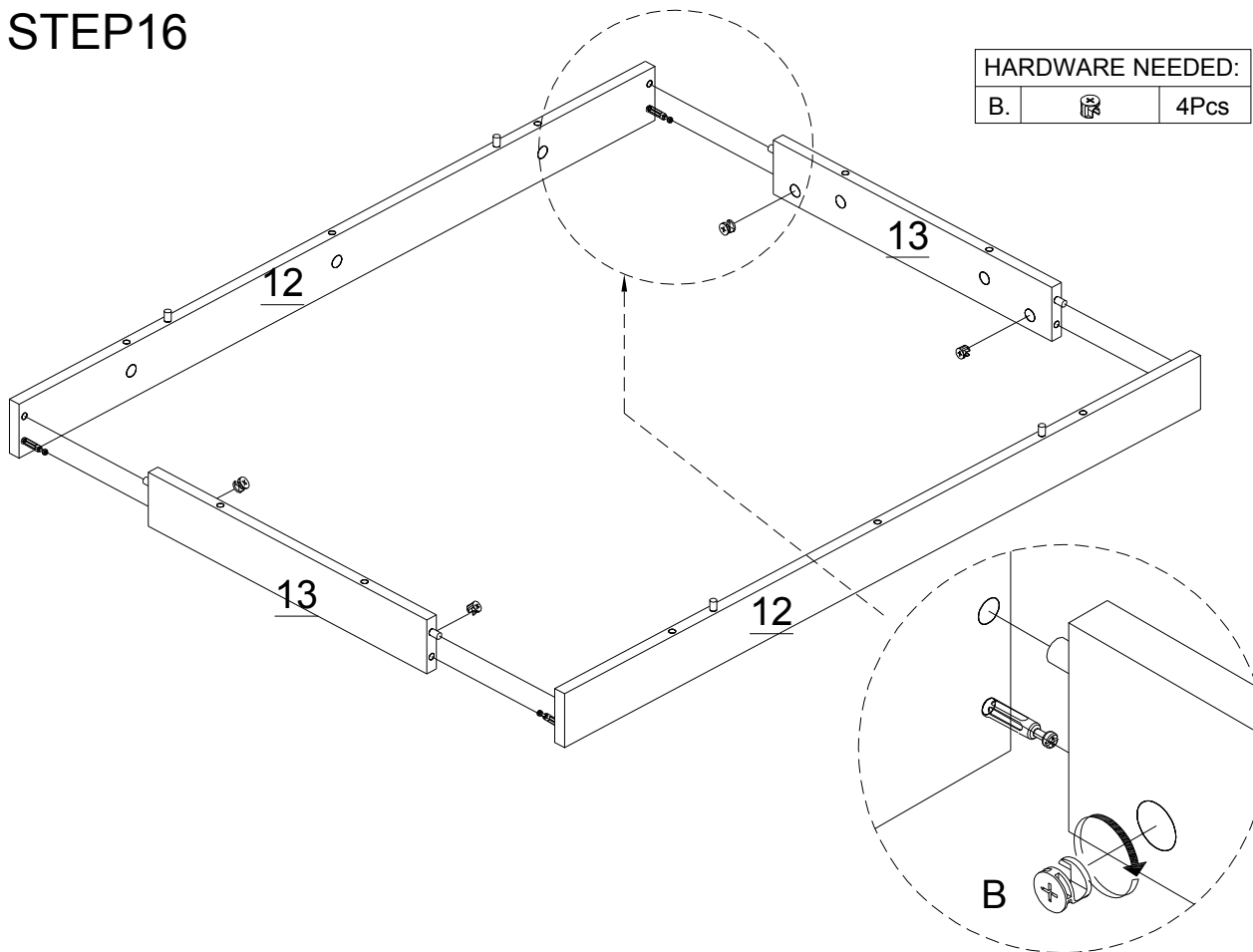


STEP18

HARDWARE NEEDED:		
A.		8Pcs
B.		4Pcs

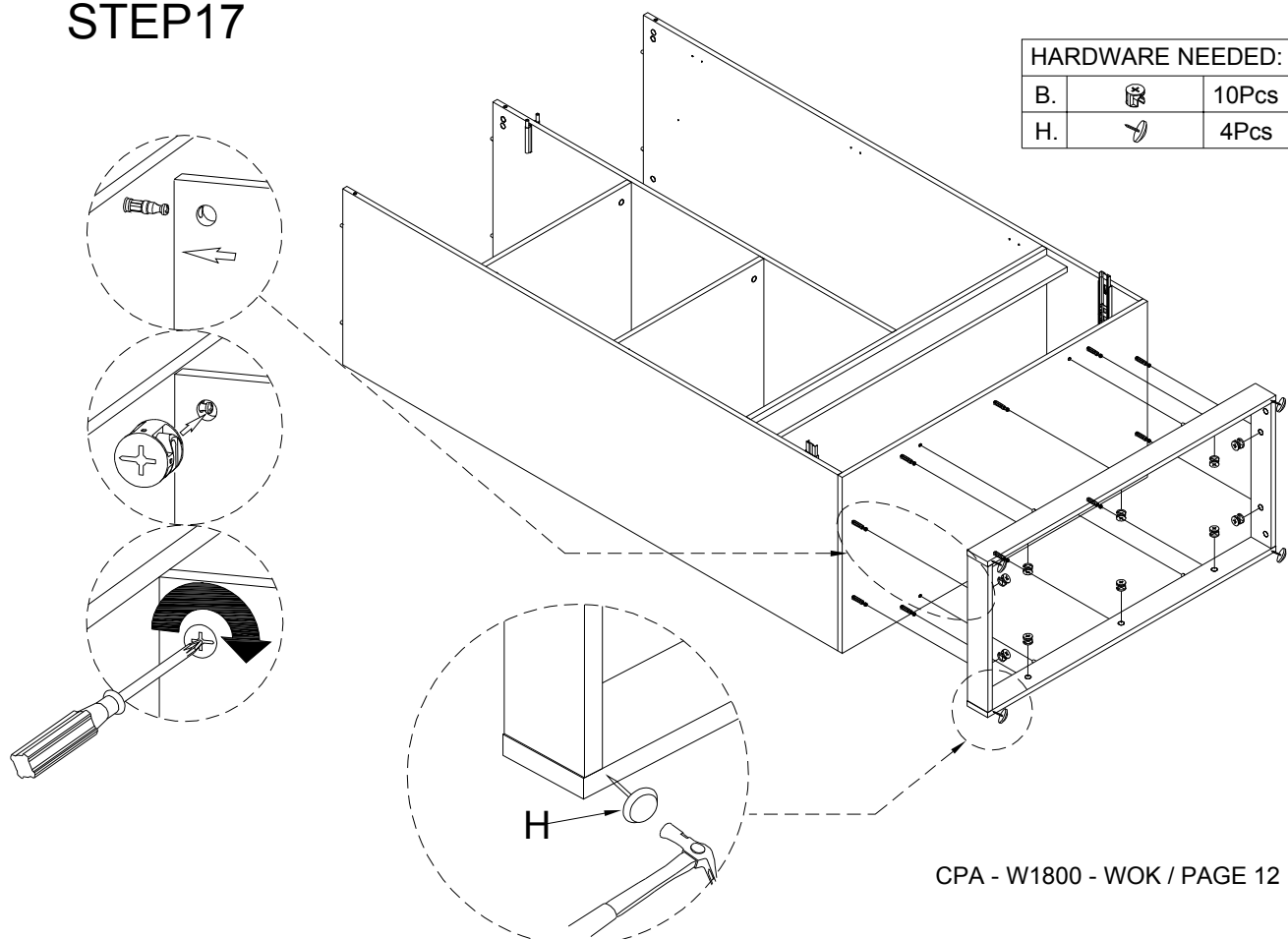



STEP16



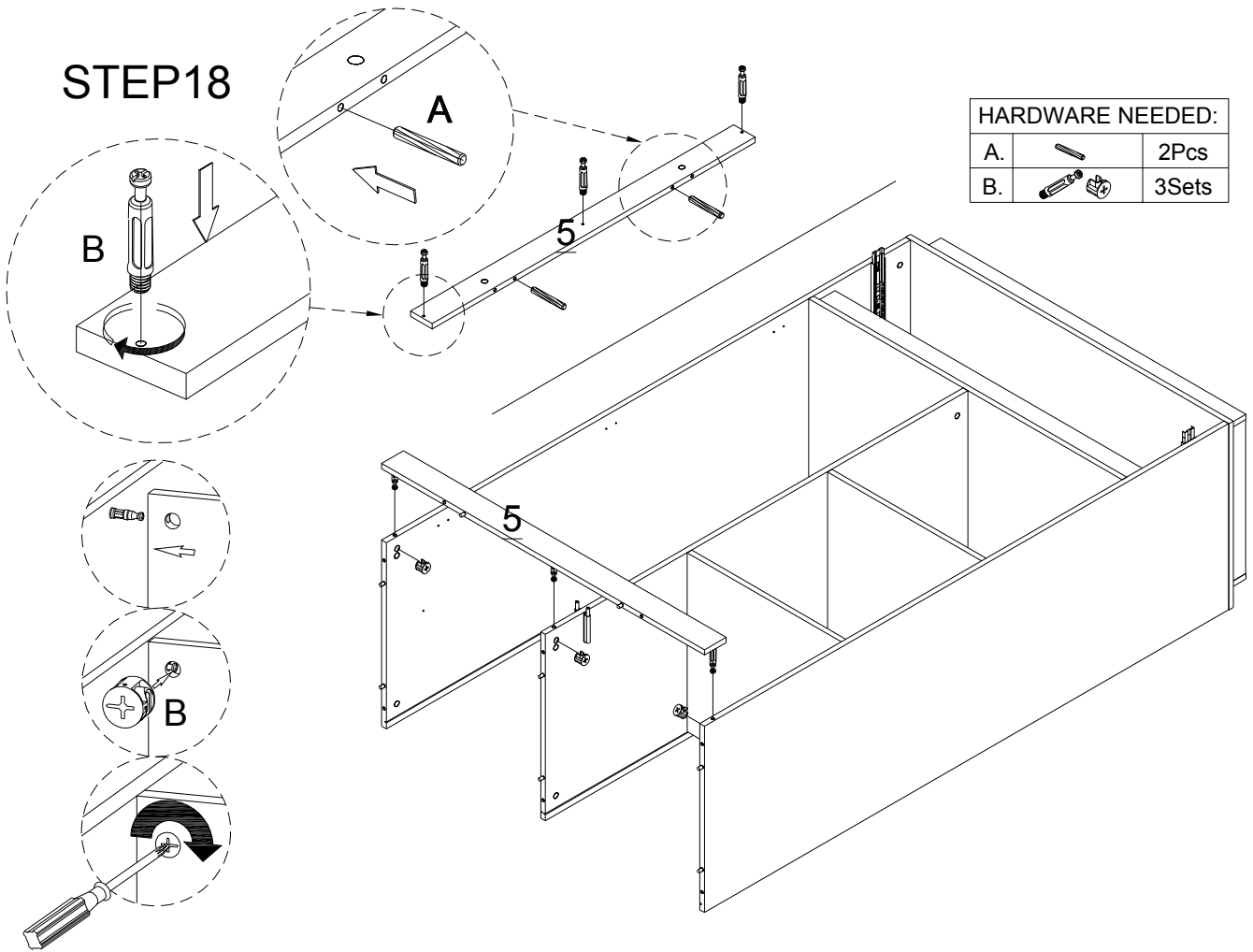
HARDWARE NEEDED:		
B.		4Pcs

STEP17

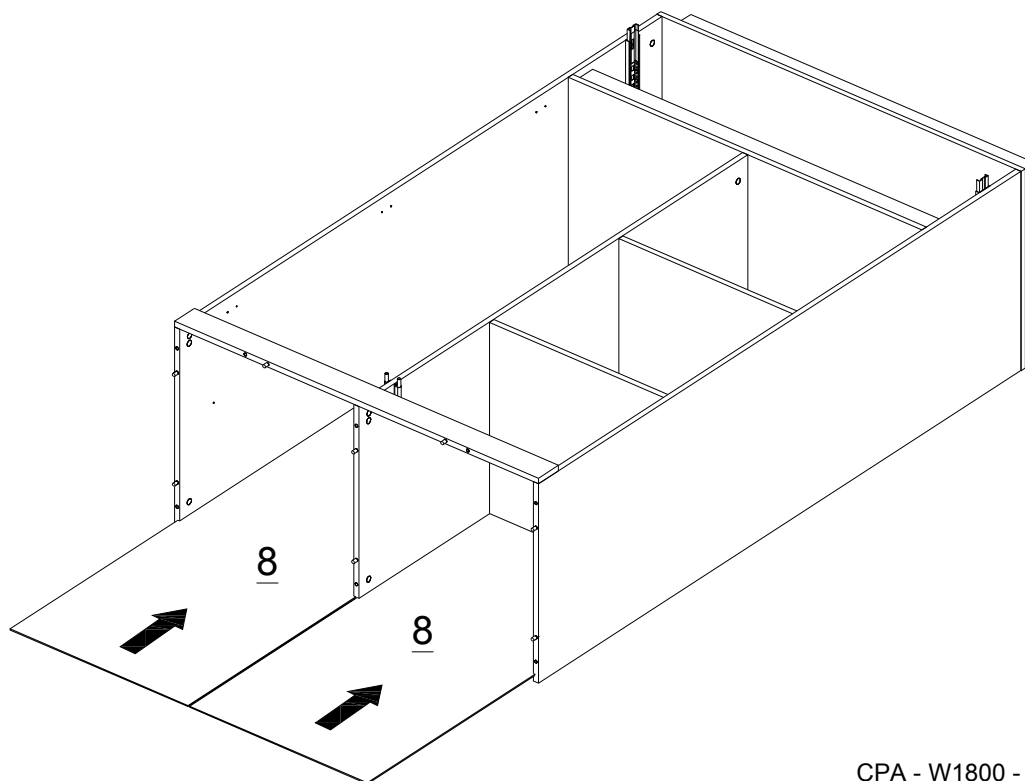


HARDWARE NEEDED:		
B.		10Pcs
H.		4Pcs

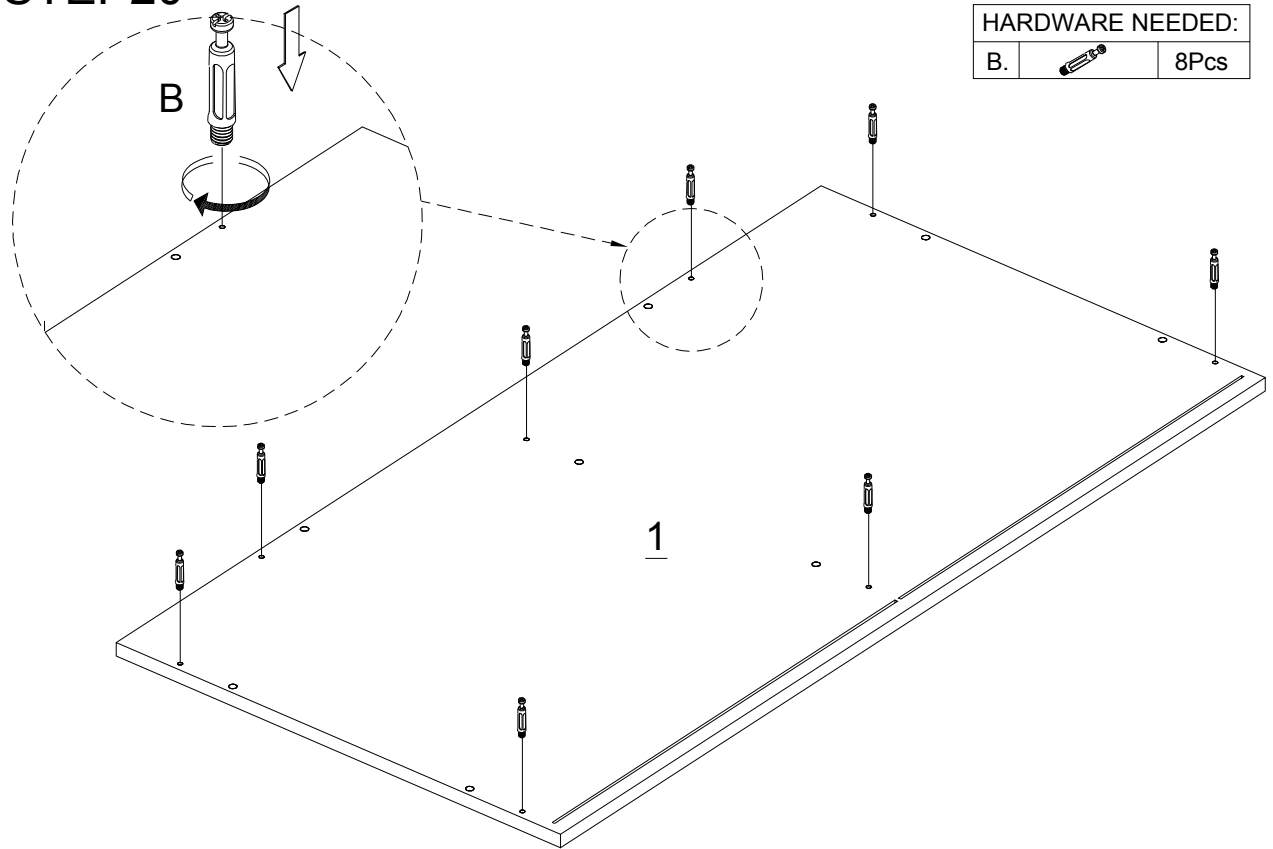
STEP18



STEP19

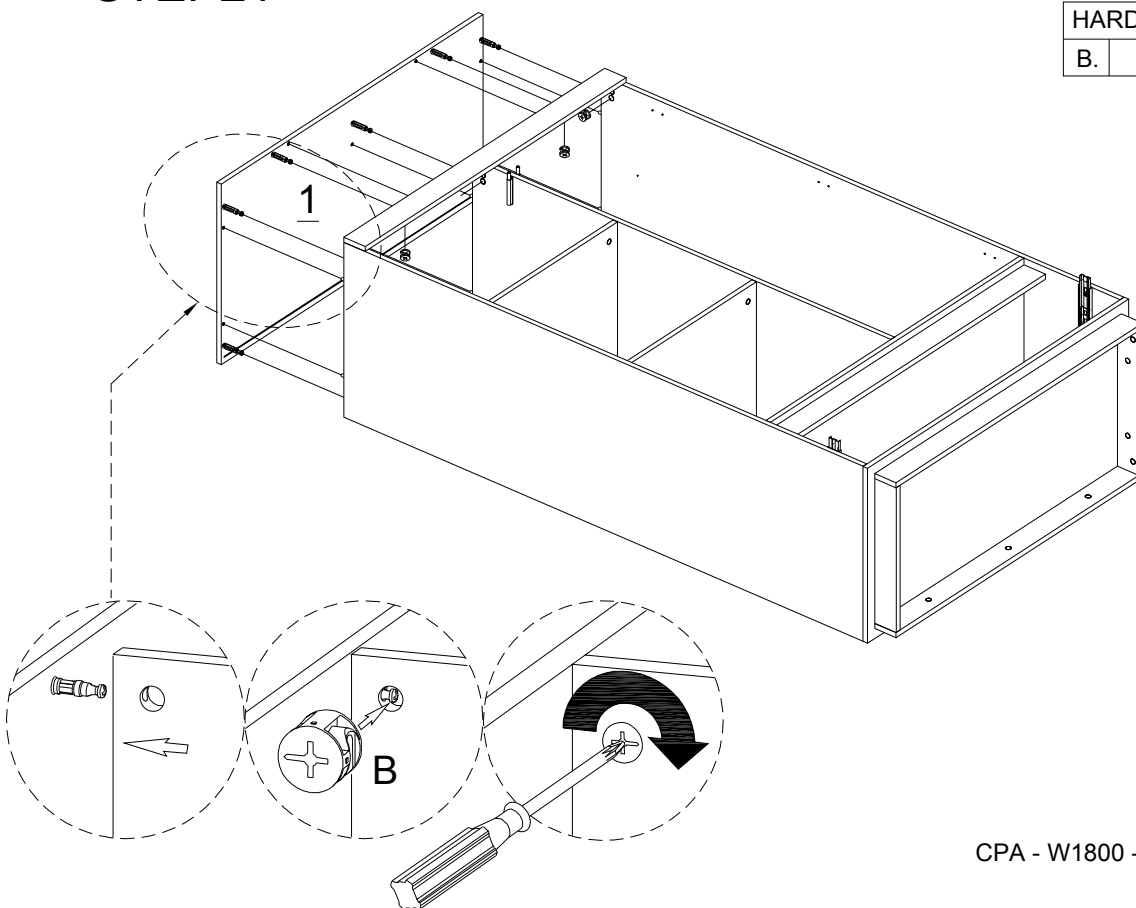


STEP20





HARDWARE NEEDED:		
B.		8Pcs

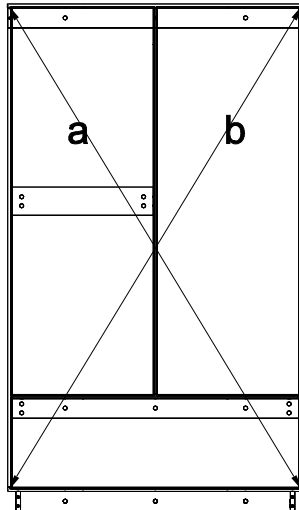
STEP21



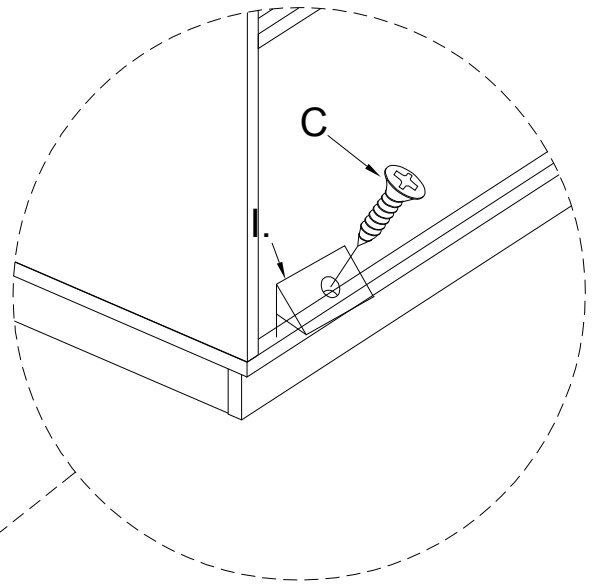
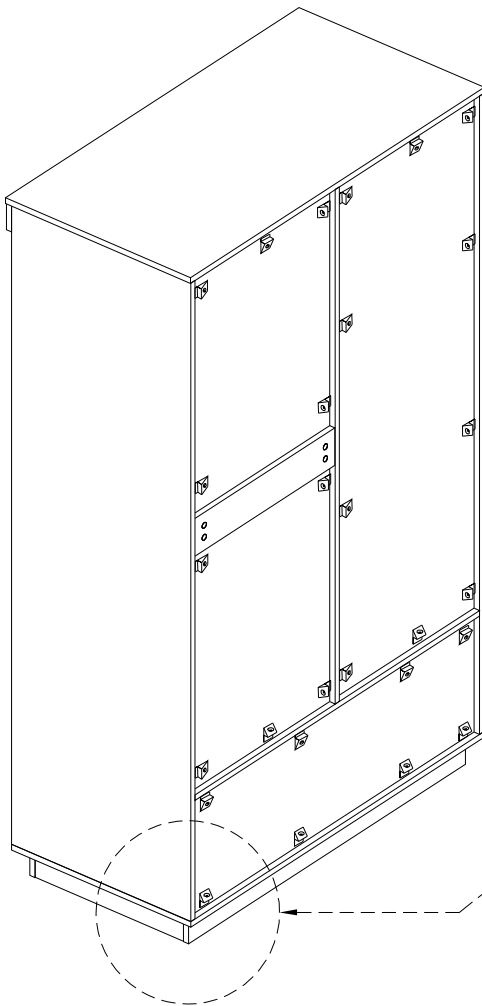
HARDWARE NEEDED:		
B.		8Pcs

STEP22



HARDWARE NEEDED:		
C.		28Pcs
I.		28Pcs

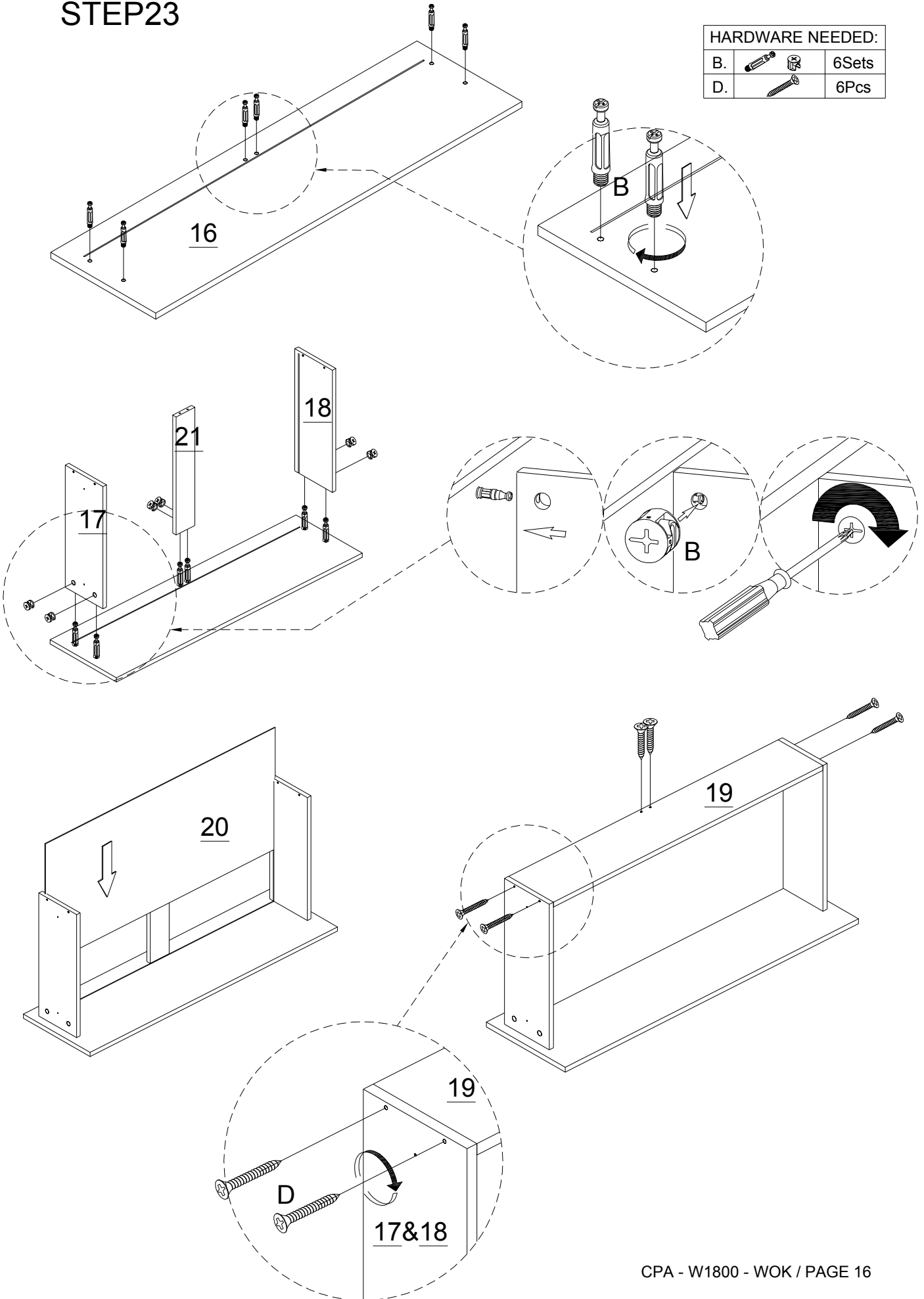


$a=b \checkmark$



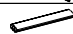


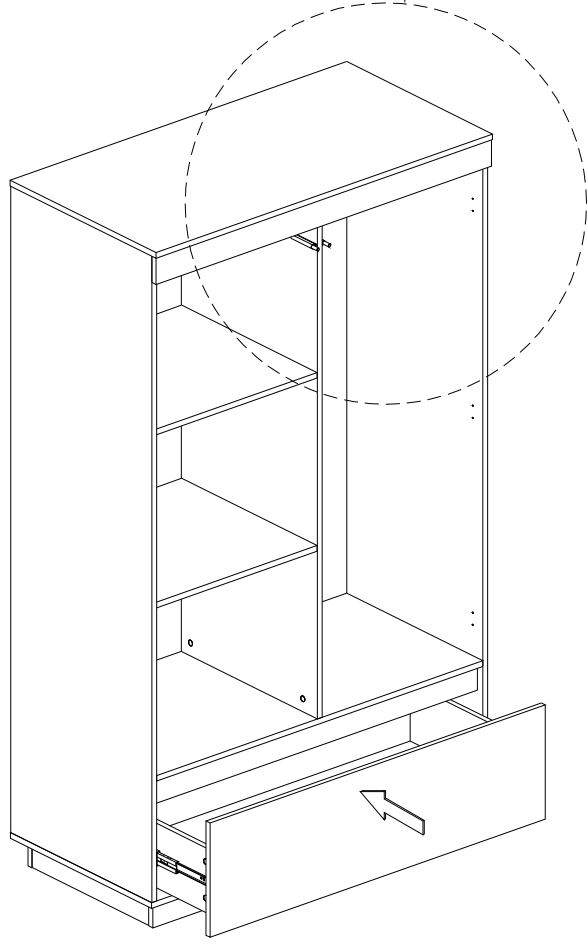
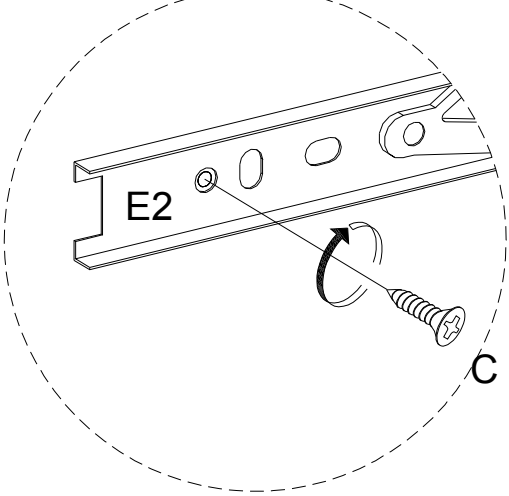
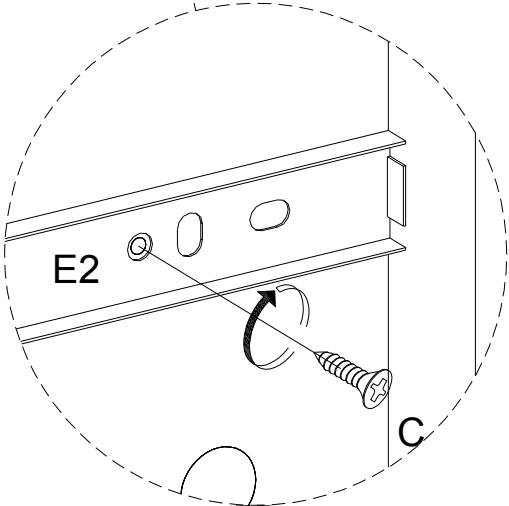
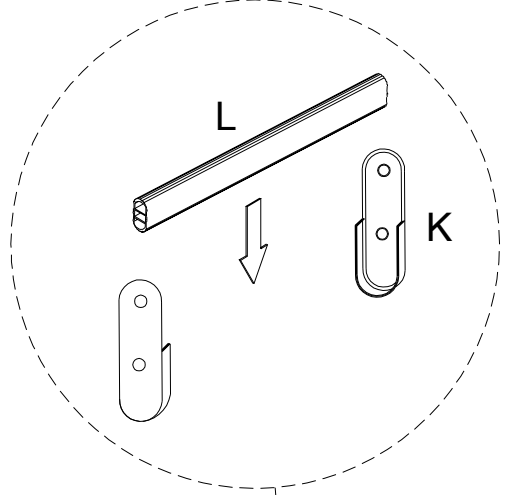
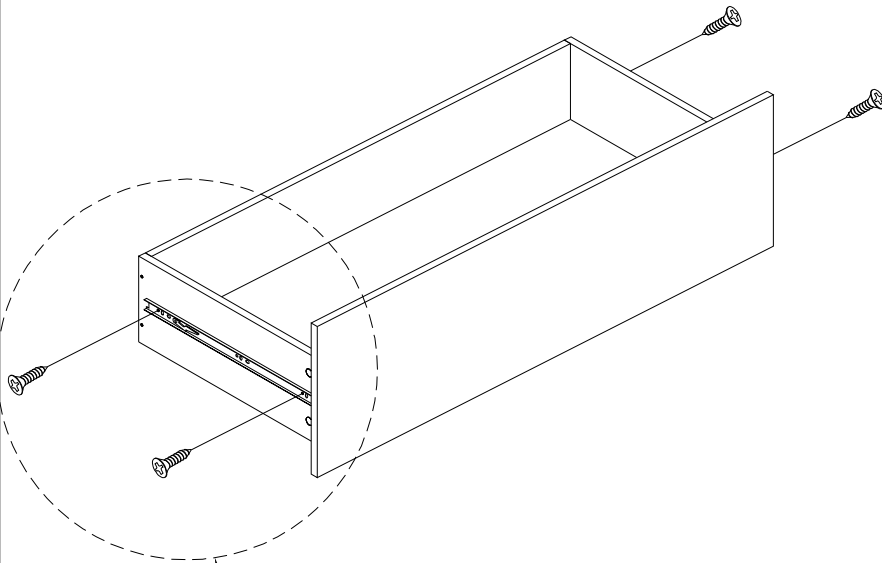
STEP23

HARDWARE NEEDED:		
B.		6Sets
D.		6Pcs


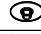



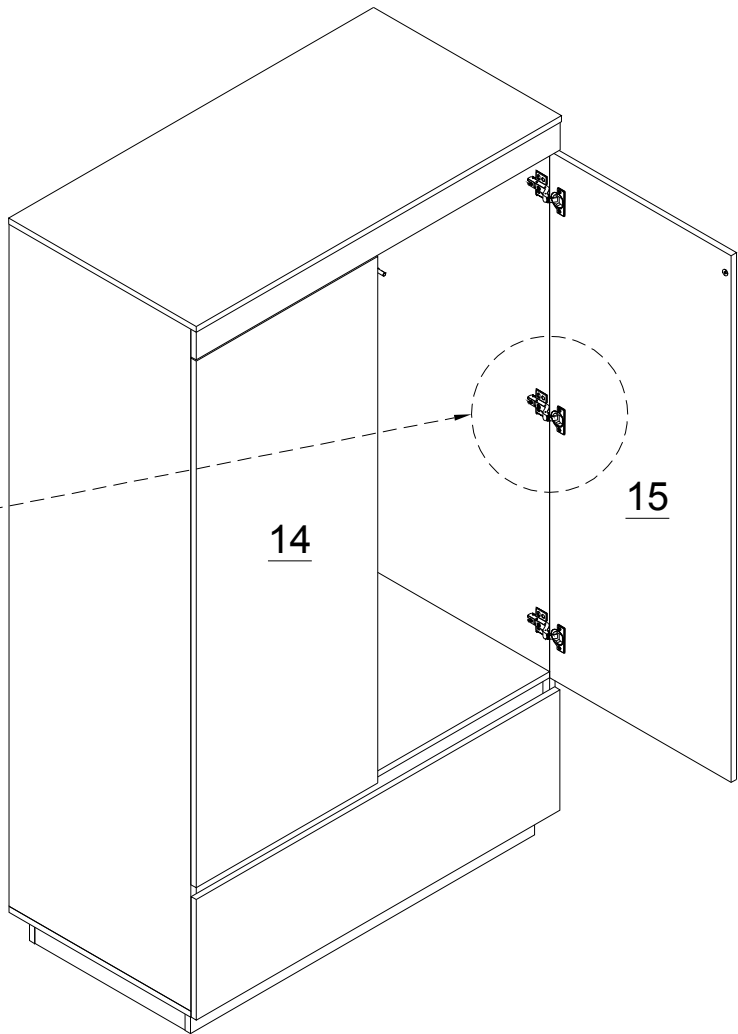
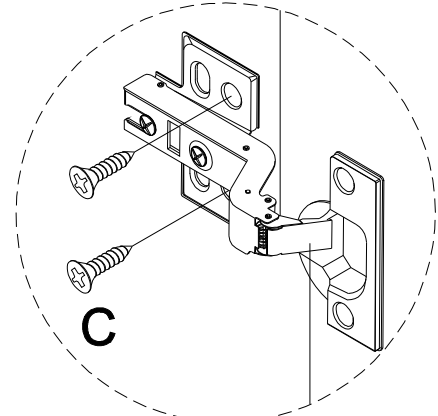
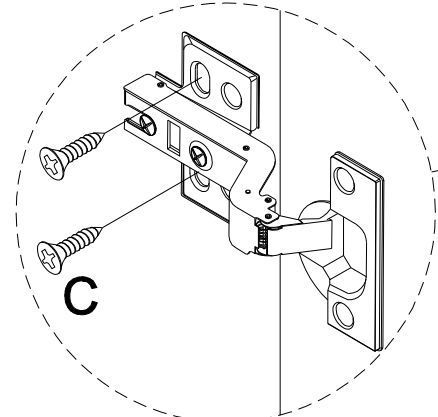
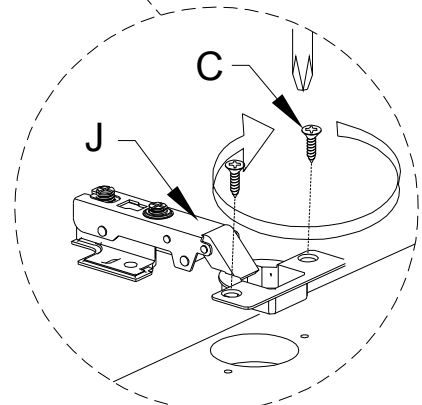
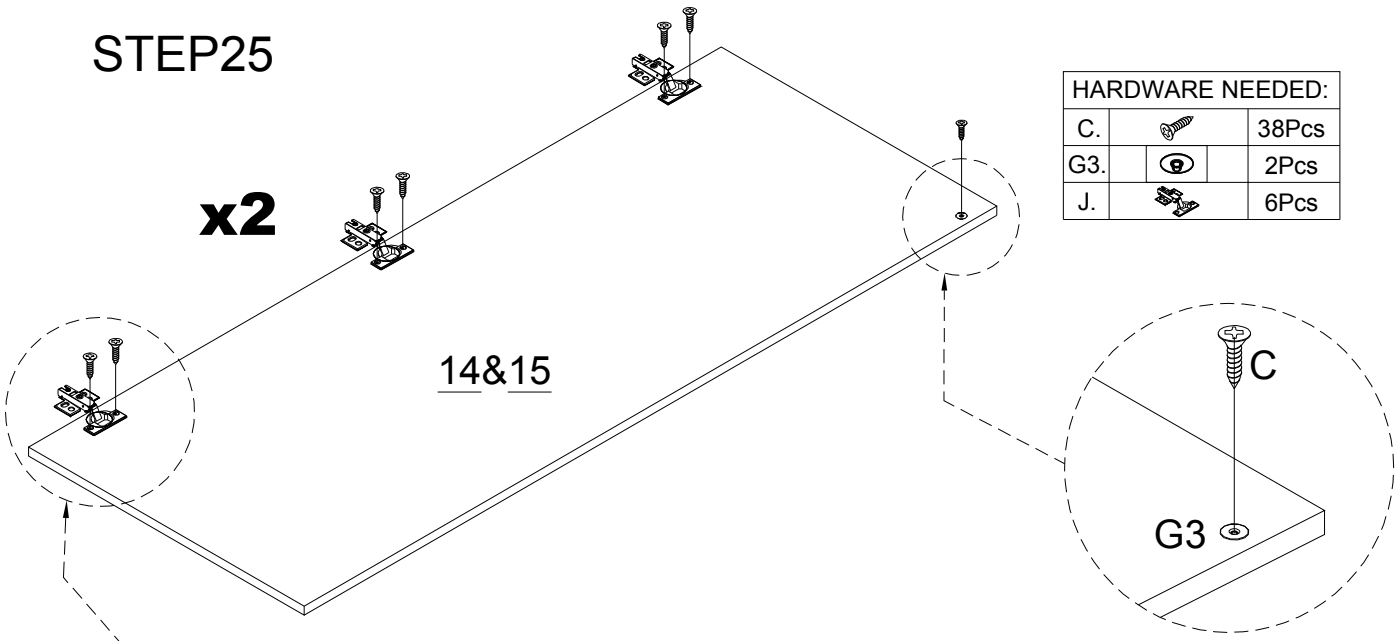
STEP24

HARDWARE NEEDED:		
C.		4Pcs
E2.		2Pcs
L.		1Pc



STEP25

HARDWARE NEEDED:		
C.		38Pcs
G3.		2Pcs
J.		6Pcs



STEP26

HARDWARE NEEDED:
F.   2Sets

