


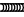
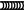



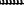

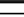




ASSEMBLY INSTRUCTION

MODEL : YNA-183K-SONOW (KING BED)

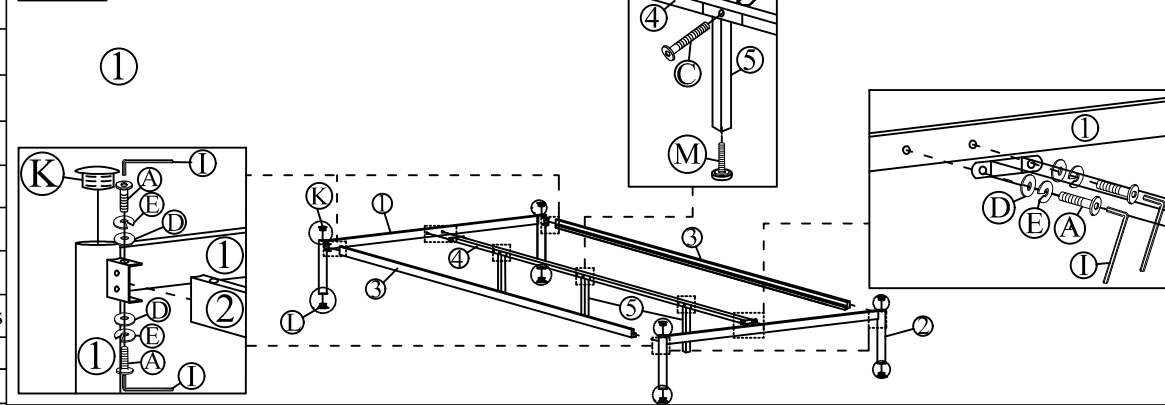
Before you begin, Please follow Assembly Instruction carefully. Then follow them step by step.

PART LIST		
NO	DESCRIPTION	QTY
1	Headboard	1pc
2	Footboard	1pc
3	Side Rail	2pcs
4	Middle Support	1pc
5	Supporting Leg	3pcs
6	Headboard Panel	1pc
7	Plywood Base	12pcs

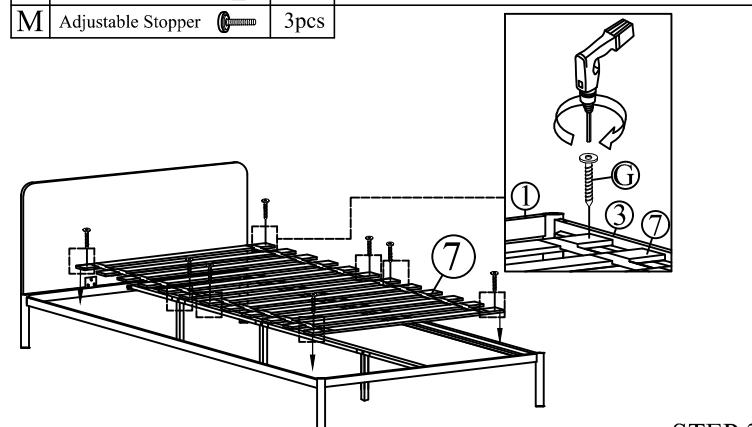
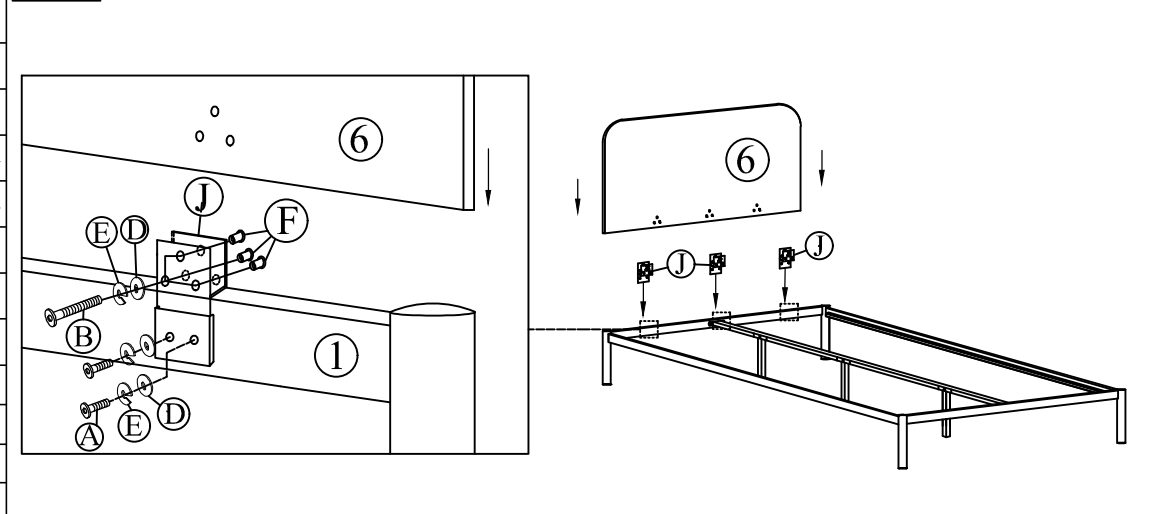
HARDWARE LIST

NO	DESCRIPTION	QTY
A	JCBC M6 x 15mm 	18pcs
B	JCBC M6 x 25mm 	9pcs
C	JCBC M6 x 65mm 	3pcs
D	M6 Flat Washer 	27pcs
E	M6 Spring Washer 	27pcs
F	M6 JCN Nut 	9pcs
G	M4 X 30mm (Metal Screw) 	8pcs
H	M6 Hex Nut 	3pcs
I	M6 Allen Key 	1pc
J	"U" Bracket 	3pcs
K	Upside Stopper 	4pcs
L	Downside Stopper 	4pcs
M	Adjustable Stopper 	3pcs

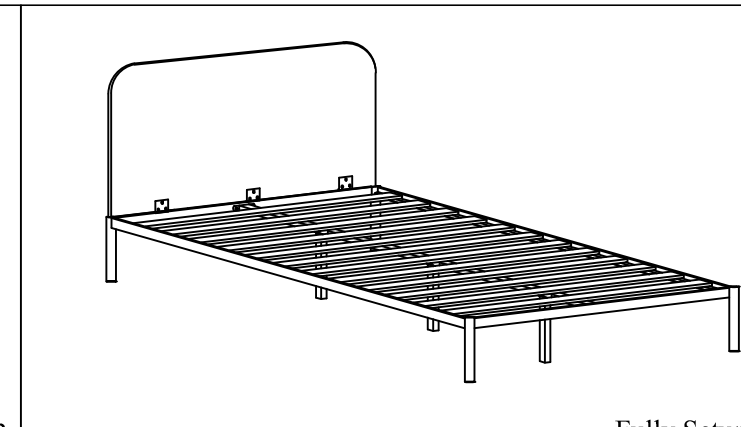
STEP 1



STEP 2



STEP 3



Fully Setup