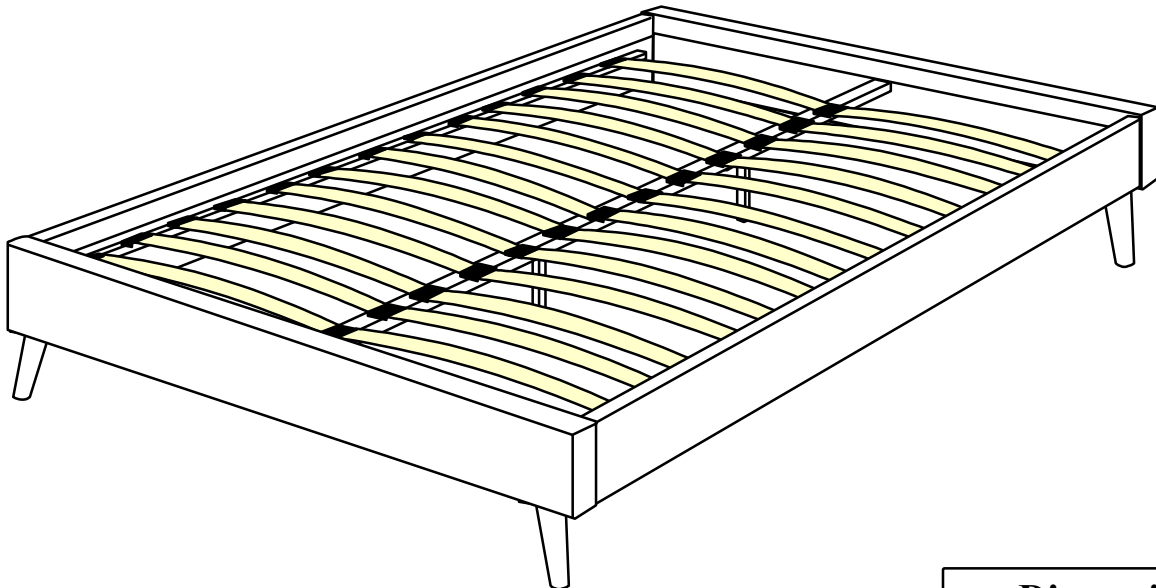


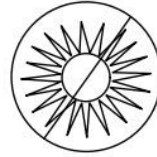
ASSEMBLY INSTRUCTION



Dimension
Height : 300 mm
Width : 1610 mm
Length : 2170 mm

ERVY QUEEN BED

IMPORTANT TIPS AND MAINTANANCE

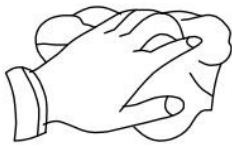


i) Keep children and animal away from working area because smaller part could choke if swallowed.

ii) Never put the liquid or damp on the furniture.

iii) To avoid dulling, do not place directly to the sunlight.

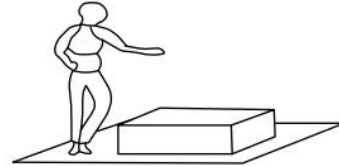
iv) Never use ammonia cleaning product, because it will damage to finish.



v) Use a soft or damp cloth (dry cloth) and then wipe to clean on the surface.



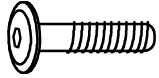

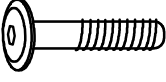





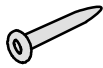
vi) Two person are required.



vii) Put the soft map on the floor to protect the furniture before assembly.

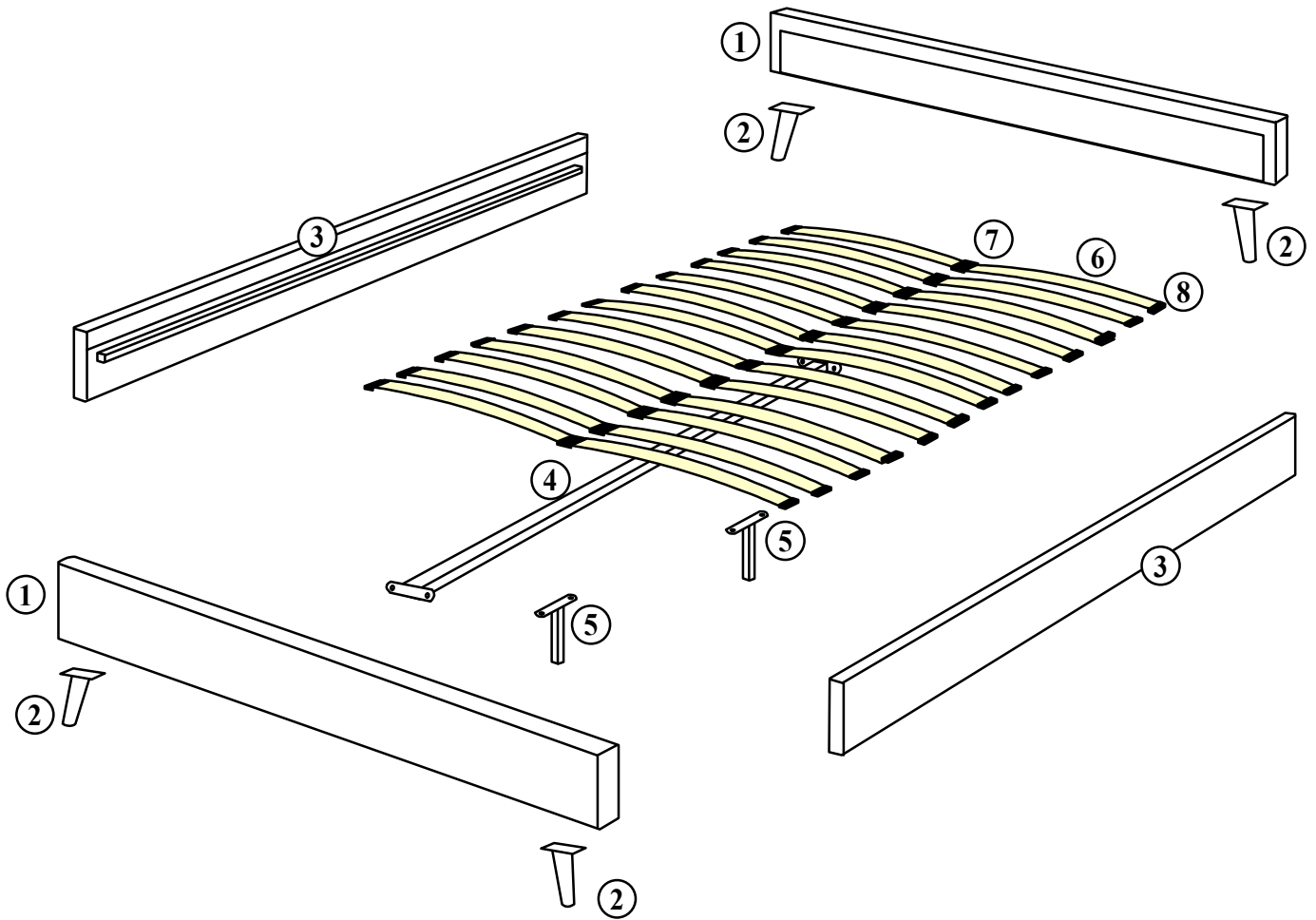
HARDWARE

Please check you have all the fitting parts or tools listed below

No.	Fittings / Tools	Quantities	No.	Fittings / Tools	Quantities
A	 Bolt M8 x 25mm	12pcs	E	 M5 Allen Key	1pc
B	 Bolt M8 x 30mm	4pcs	F	 M8 Spanner	1pc
C	 M8 Hex Nut	4pcs	H	 Screw Driver	1pc
D	 Washer	8pcs	I	 Non Slip Pad	4pcs
E	 Wood Screw	16pcs			

PARTS

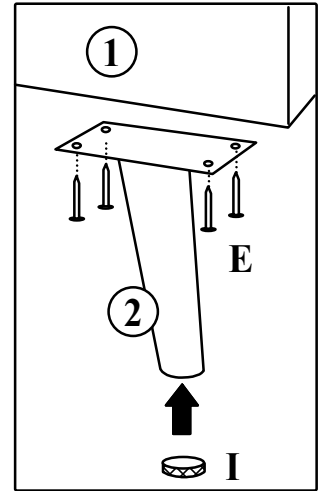
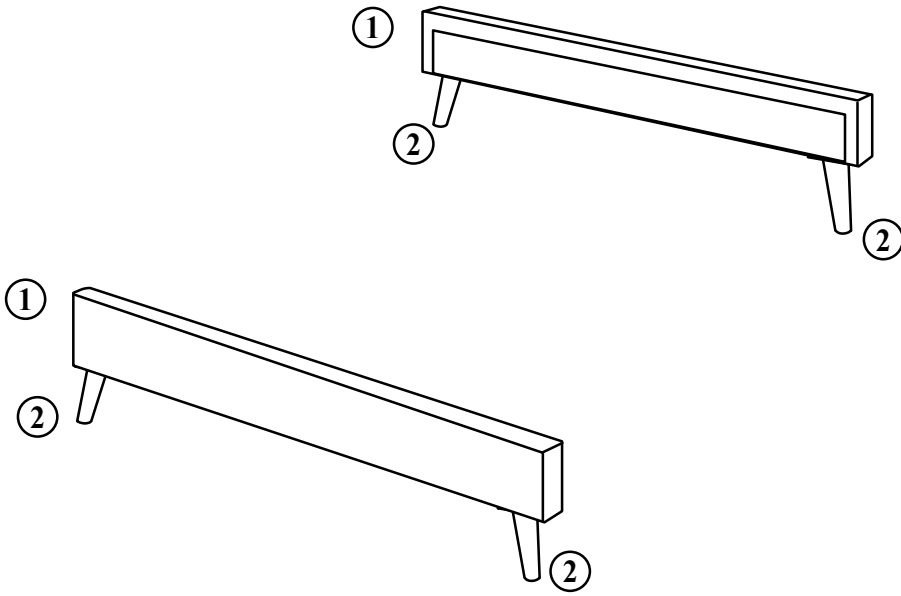
Please check you have all the parts listed below



1	Bed End	2pcs	5	Support Leg	2pcs
2	Wood Leg	4pcs	6	Wood Slat	26pcs
3	Siderail	2pcs	7	Centre Plastic Holder	13pcs
4	Centre Rail	1pc	8	Side Plastic Holder	26pcs

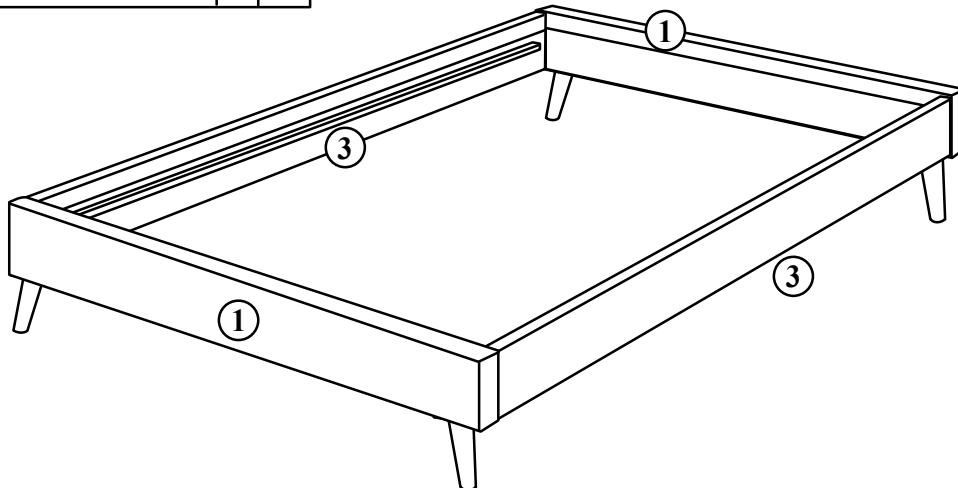
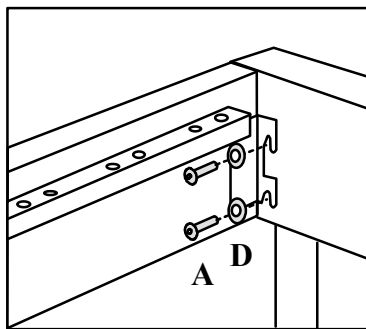
Step 1

Hardware Needed		
E	Wood Screw	16pcs
I	Non Slip Pad	4pcs
	Screw Driver	



Step 2

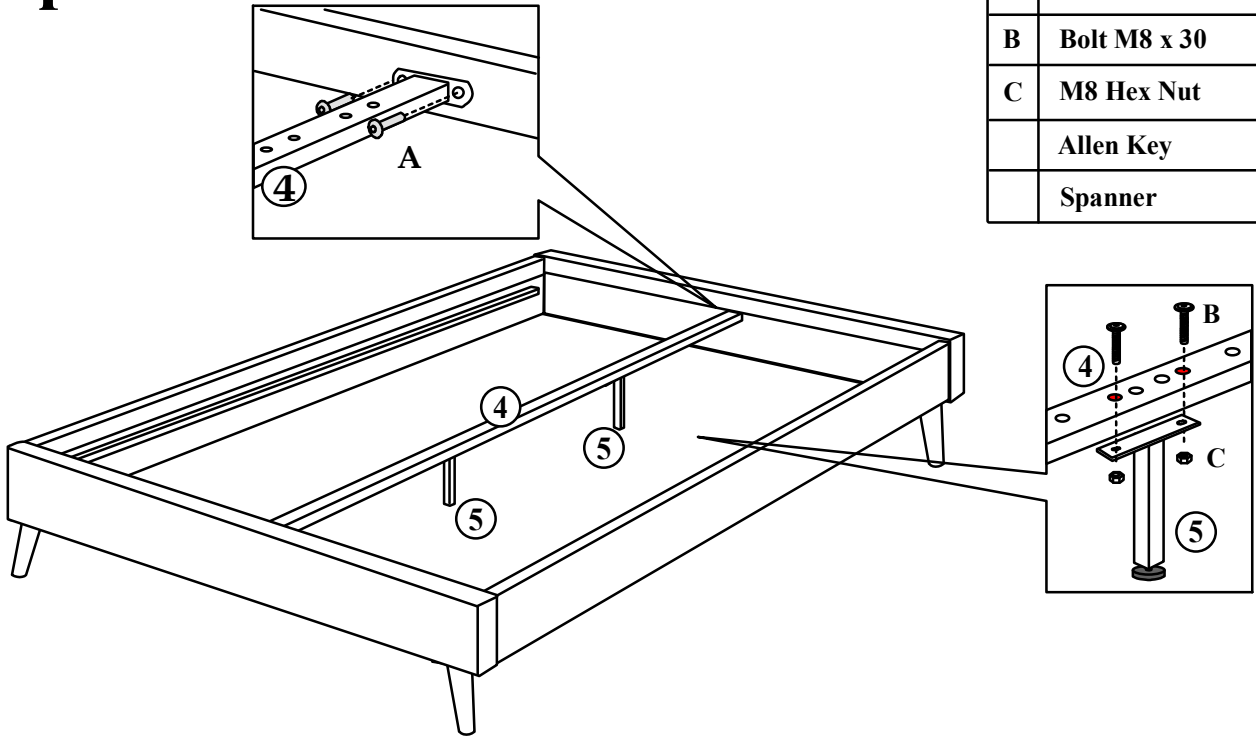
Hardware Needed		
A	Bolt M8 x 25	8pcs
D	Washer	8pcs
	Allen Key	



Step 3

Hardware Needed

A	Bolt M8 x 25	4pcs
B	Bolt M8 x 30	4pcs
C	M8 Hex Nut	4pcs
	Allen Key	
	Spanner	



WARNING

- 1) If the bed has to be moved, lift the entire bed up when moving and **DO NOT** drag the bed across the floor.
- 2) Double check if the all non-slip pads are well-attached.
- 3) Make sure the support legs (part 5) are not making direct contact with your floor, leave a maximum 2mm of space between the legs and floor.

Step 4

