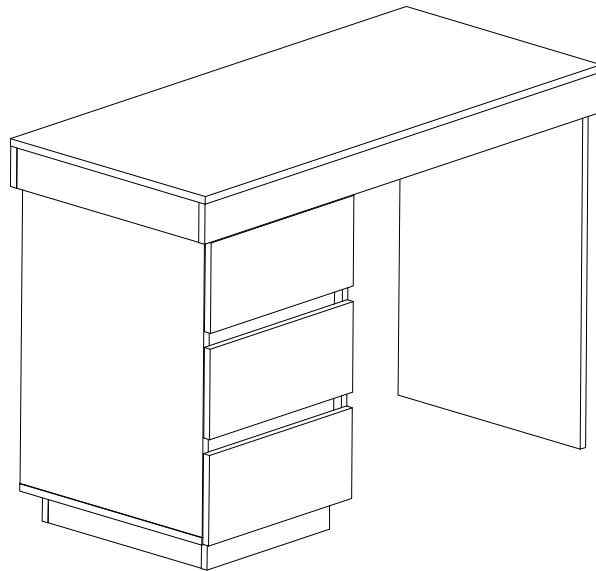


\*Please Keep For Future Reference Only.

# CUPPA SERIES ASSEMBLY INSTRUCTION



Dimensions  
Width:1100mm  
Depth:500mm  
Height:760mm

## CUPPA DESK

IMPORTANT:-  
PLEASE READ THESE INSTRUCTION CAREFULLY BEFORE STARTING ASSEMBLY.

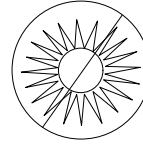
## IMPORTANT TIPS AND MAINTENANCE



i) Keep children and animal away to avoid choking hazard.



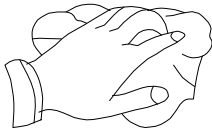
ii) Never put the liquid on the furniture.



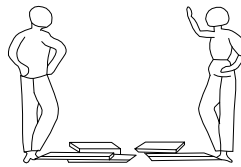
iii) To avoid dulling, do not place directly to the sunlight.



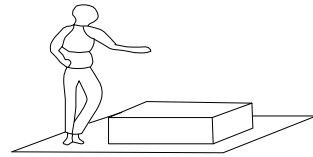
iv) Never use ammonia cleaning product, because it will damage the finish.



v) Use a dry cloth to wipe clean the surface.








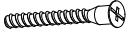
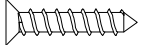

vi) Two person required.

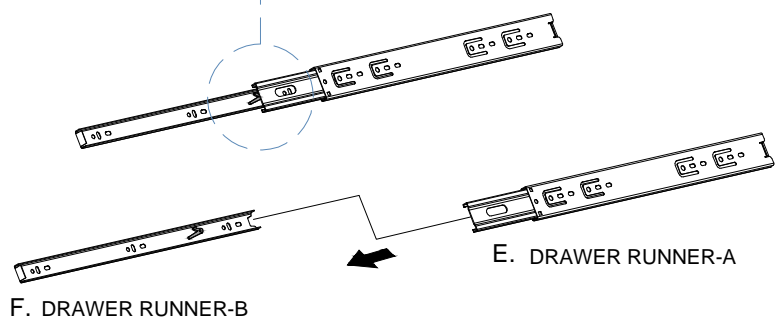
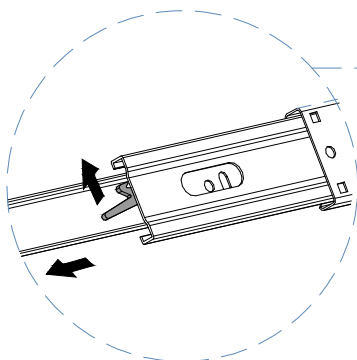


vii) Put a soft mat on the floor to protect the furniture before assembly.

### COMPONENTS:- HARDWARE

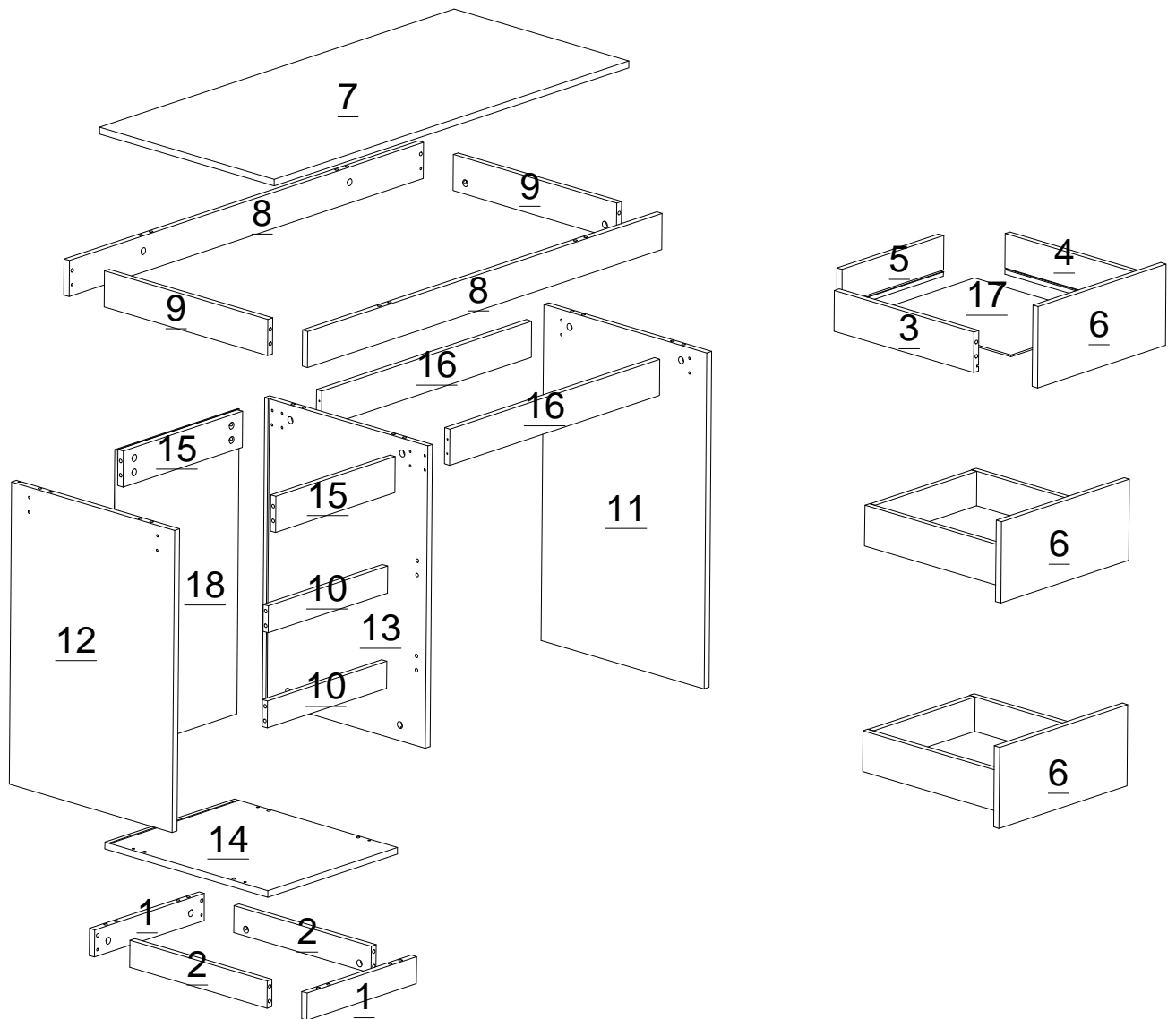
Please check you have all the fittings part or tools are listed in below.

NO.	FITTINGS/TOOLS	QTY	NO.	FITTINGS/TOOLS	QTY
A.	 DOWEL 8x40MM	38 Pcs	E.	 DRAWER RUNNER-A	6 Pcs
B.	 CAMBOLT+CAMNUT	50 Pcs	F.	 DRAWER RUNNER-B	6 Pcs
C.	 SCREW M3.5x14MM	24 Pcs	G.	 SCREW M3.5x35MM	8 Pcs
D.	 SCREW M3.5x35MM	12 Pcs	H.	 PIN	10 Pcs



COMPONENTS:-  
PANELS

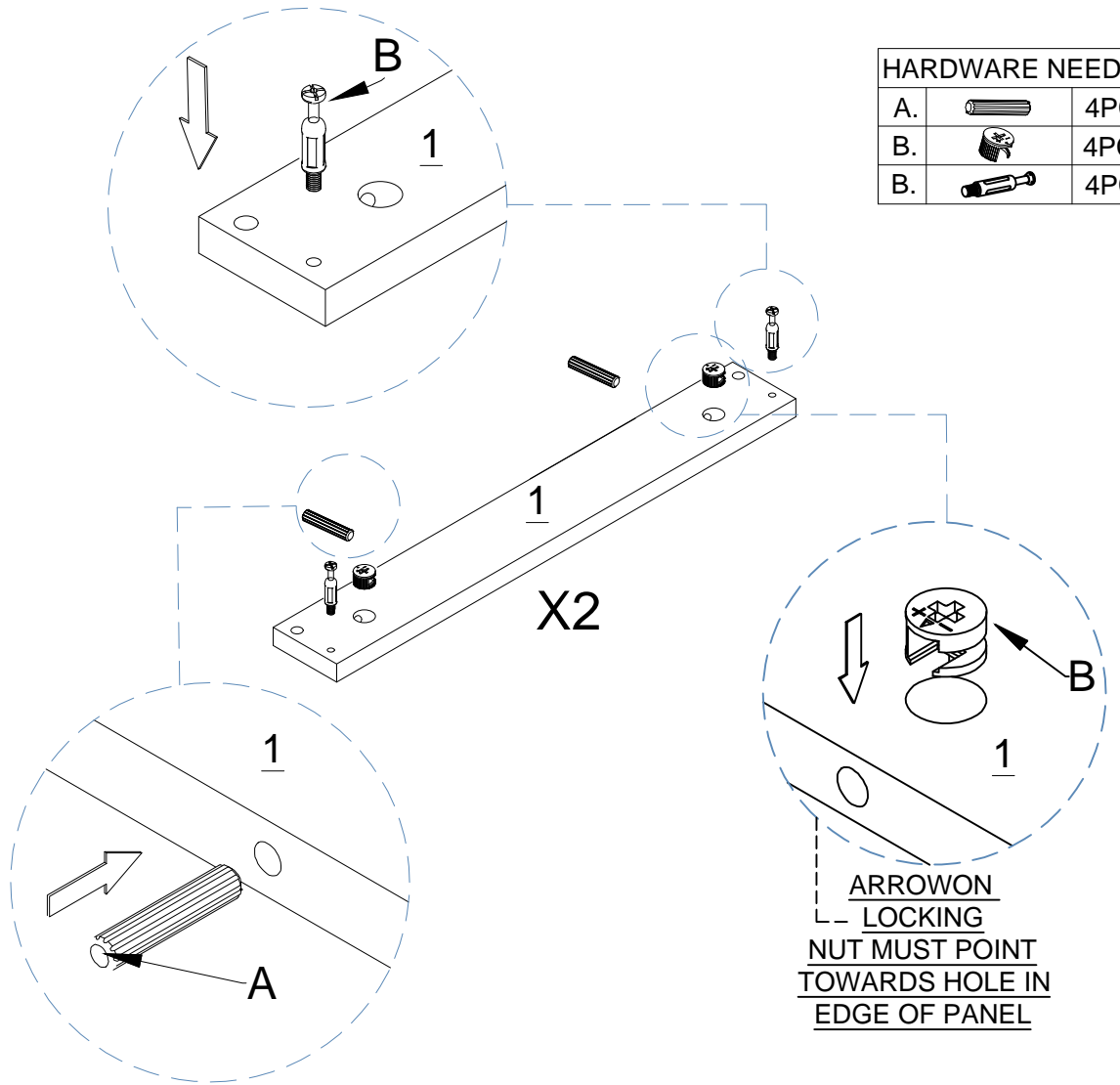
Please check you have all the panels are listed below.



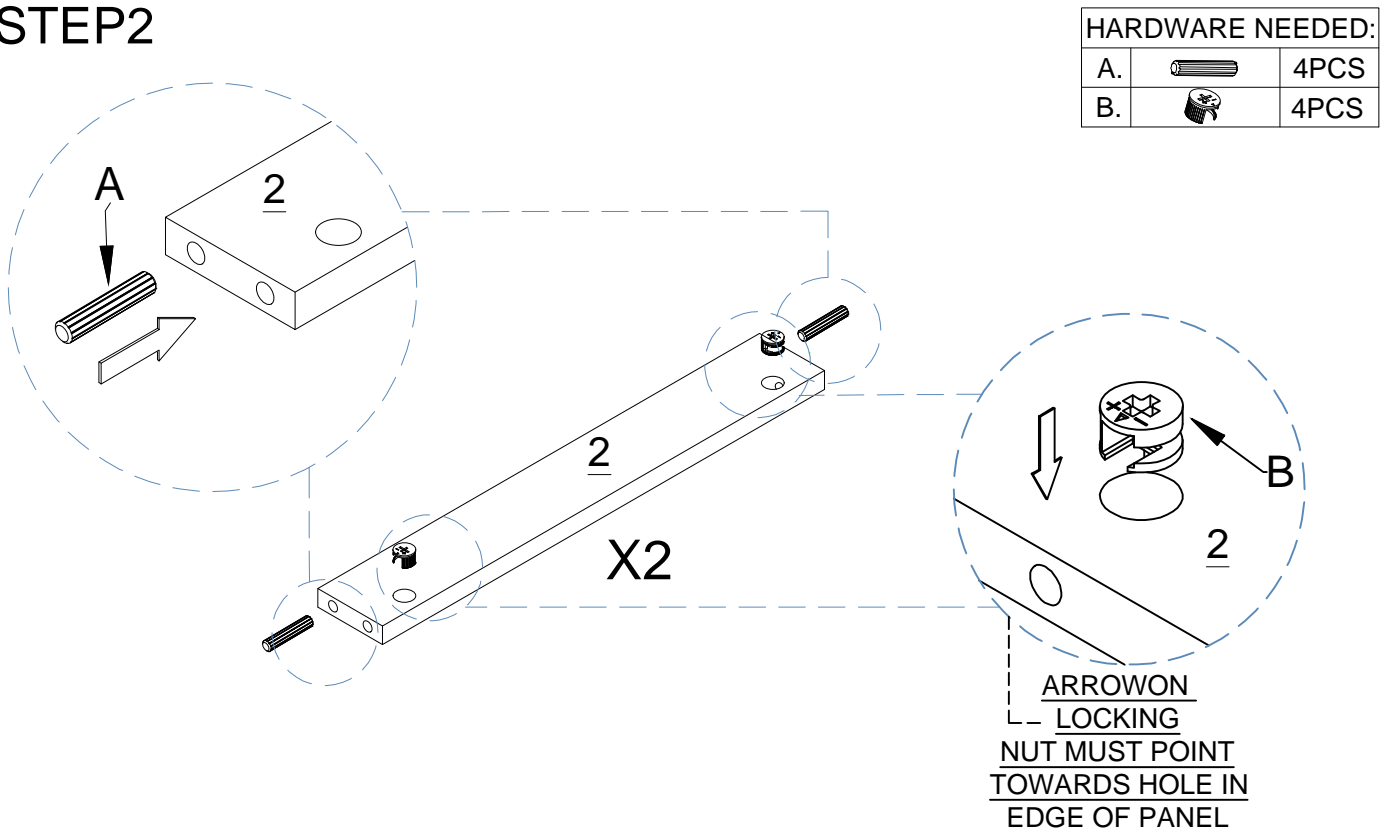
**PARTLIST**

1	BASE	2pcs	10	FRONT PANEL	2pcs
2	BASE SIDE	2pcs	11	TABLE LEG	1pc
3	DRAWER SIDE_L	3pcs	12	SIDE PANEL_L	1pc
4	DRAWER SIDE_R	3pcs	13	SIDE PANEL_R	1pc
5	DRAWER BACK	3pcs	14	BOTTOM PANEL	1pc
6	DRAWER FRONT	3pcs	15	CHEST BRACE PANEL	2pcs
7	TABLE TOP	1pc	16	TABLE BRACE PANEL	2pcs
8	LONG SKIRT	2pcs	17	DRAWER BASE	3pcs
9	SHORT SKIRT	2pcs	18	BACK PANEL	1pc

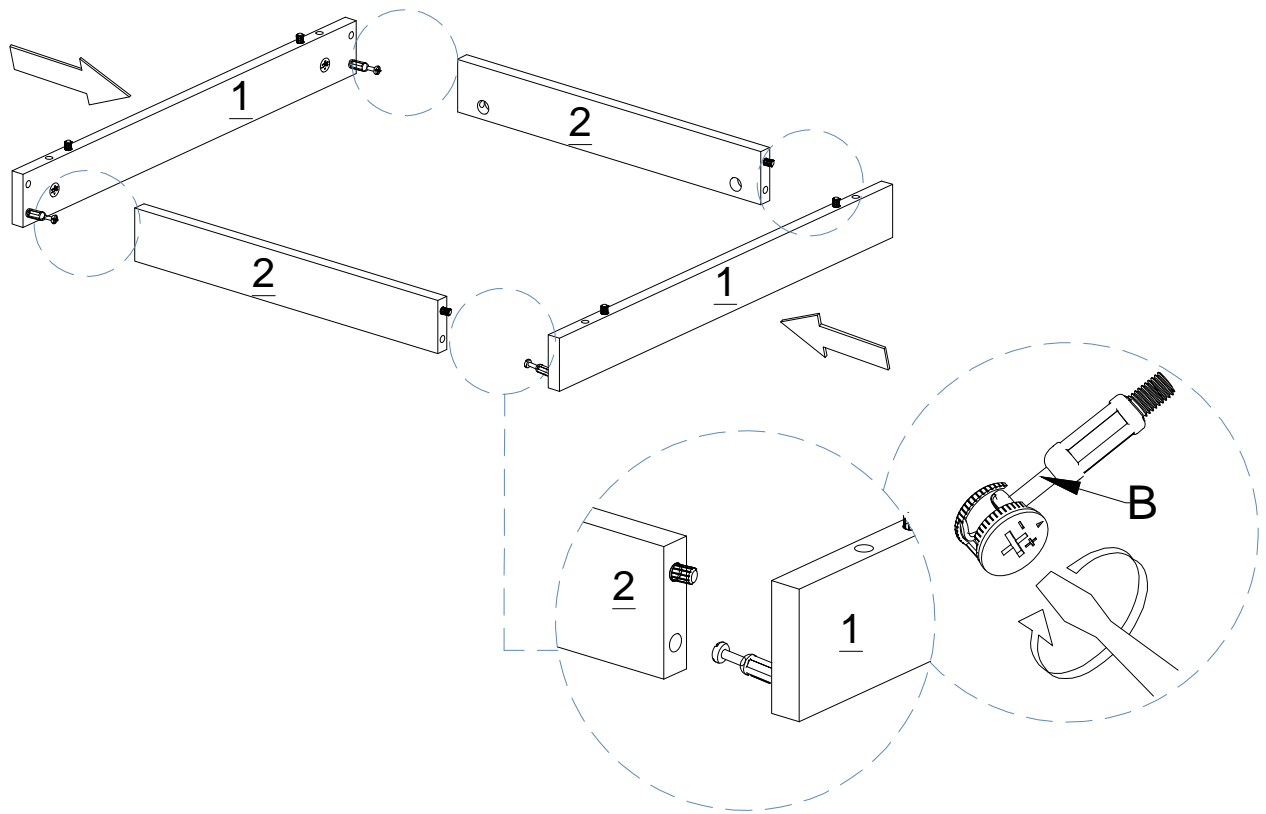
# STEP1



# STEP2

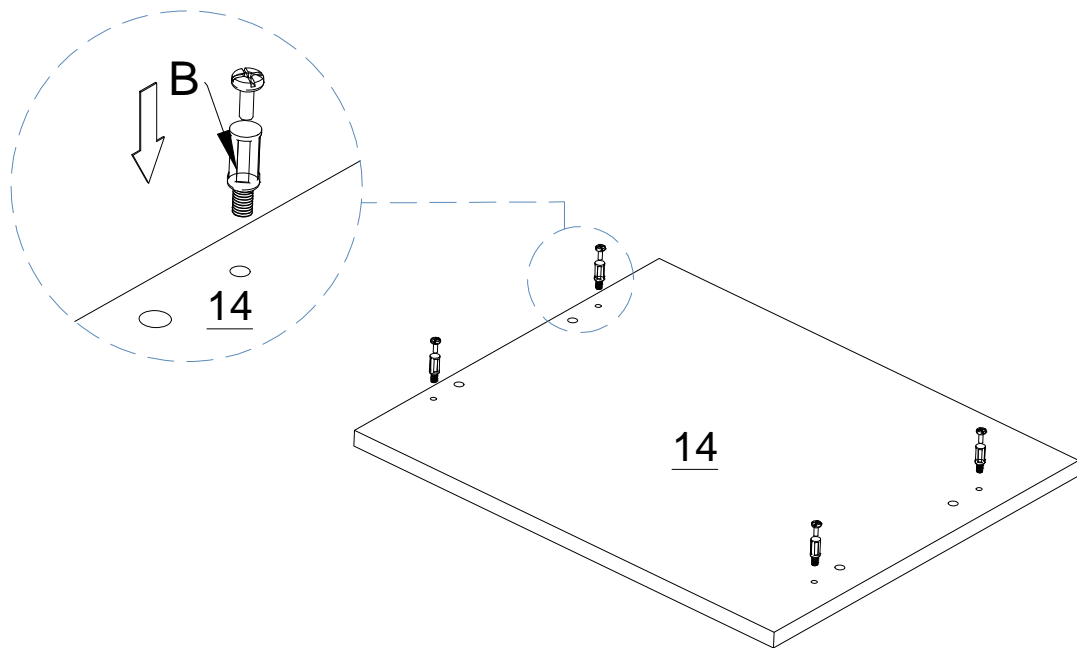


# STEP3

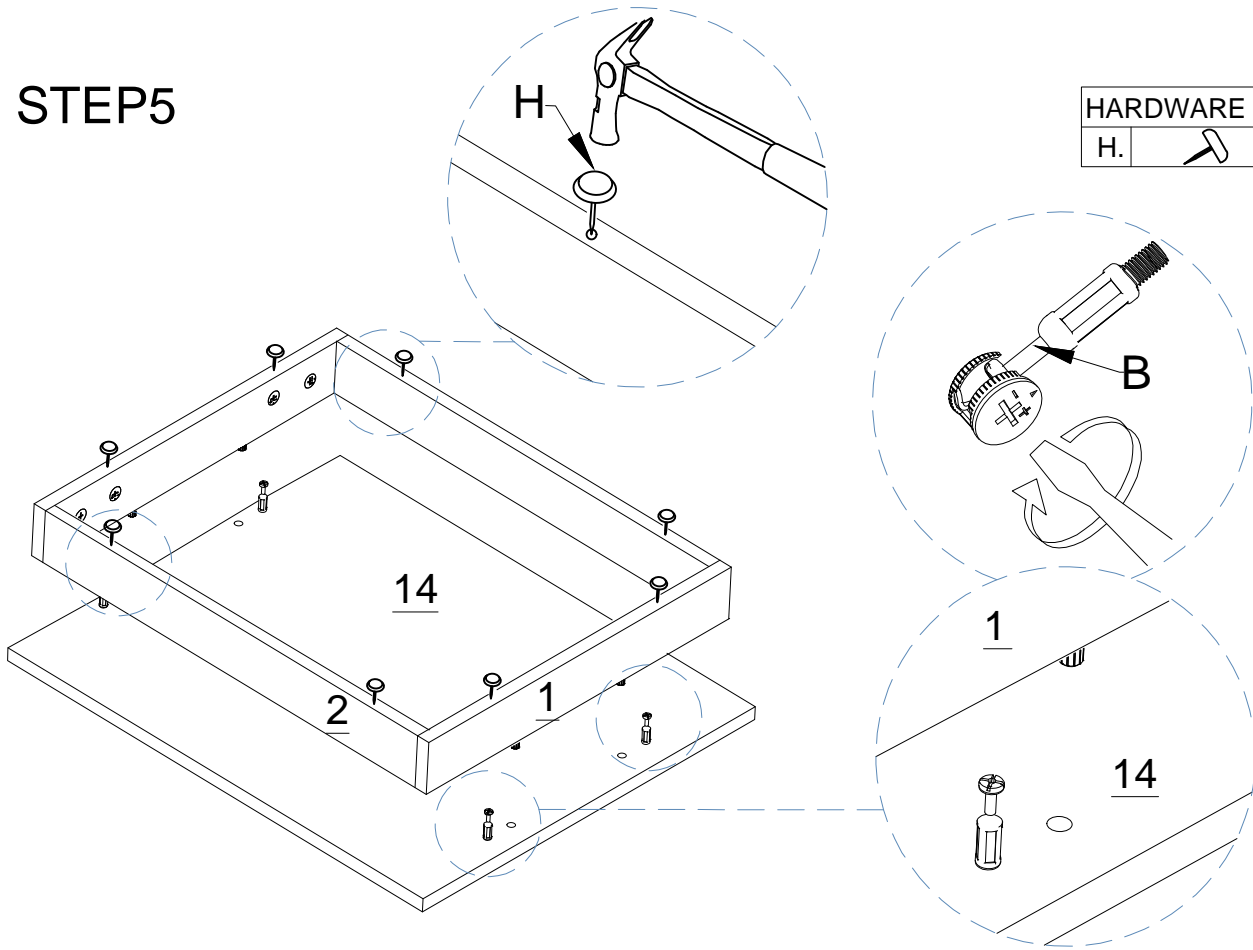


# STEP4


HARDWARE NEEDED:		
B.		4PCS



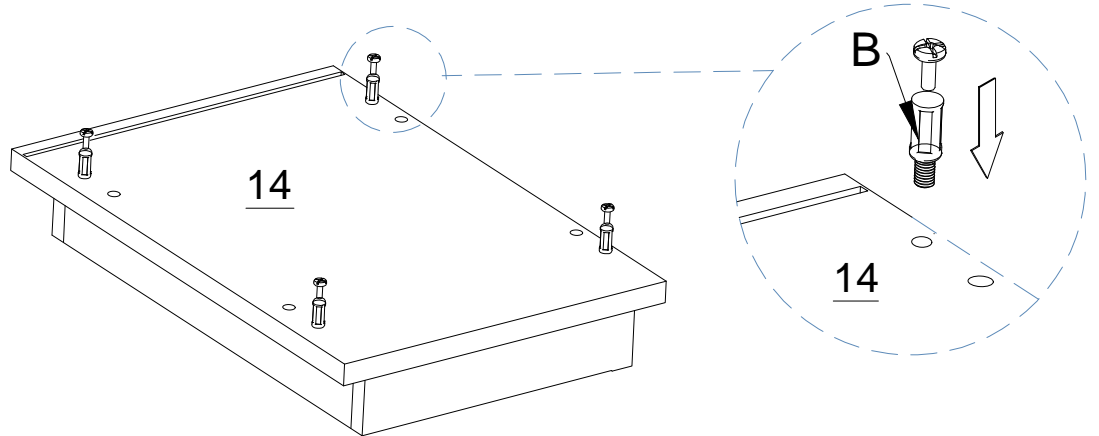
# STEP5



HARDWARE NEEDED:

H.		8 PCS
----	---	-------



# STEP6

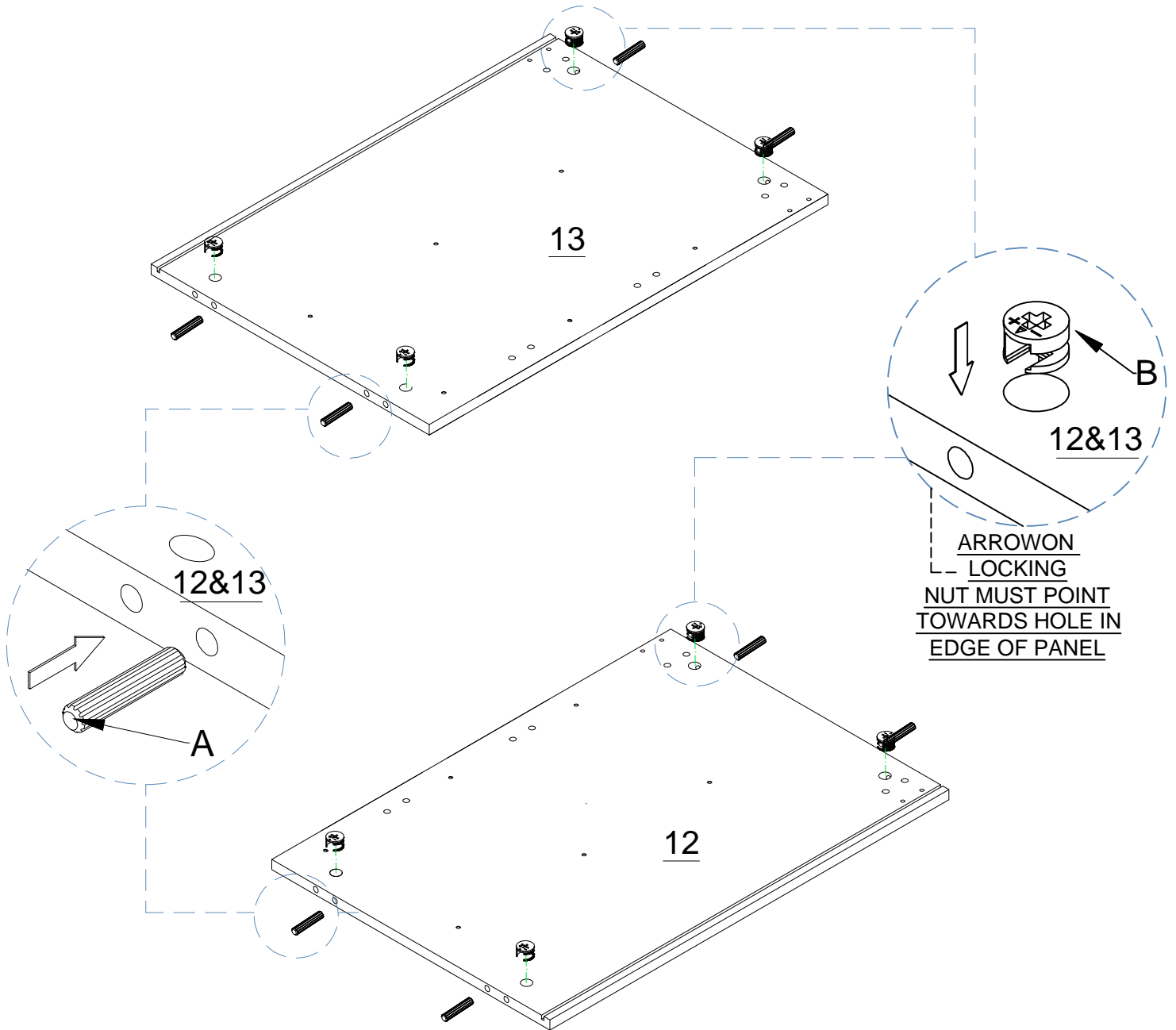


HARDWARE NEEDED:




B.		4PCS
----	---	------

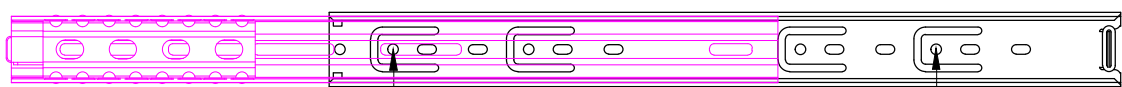
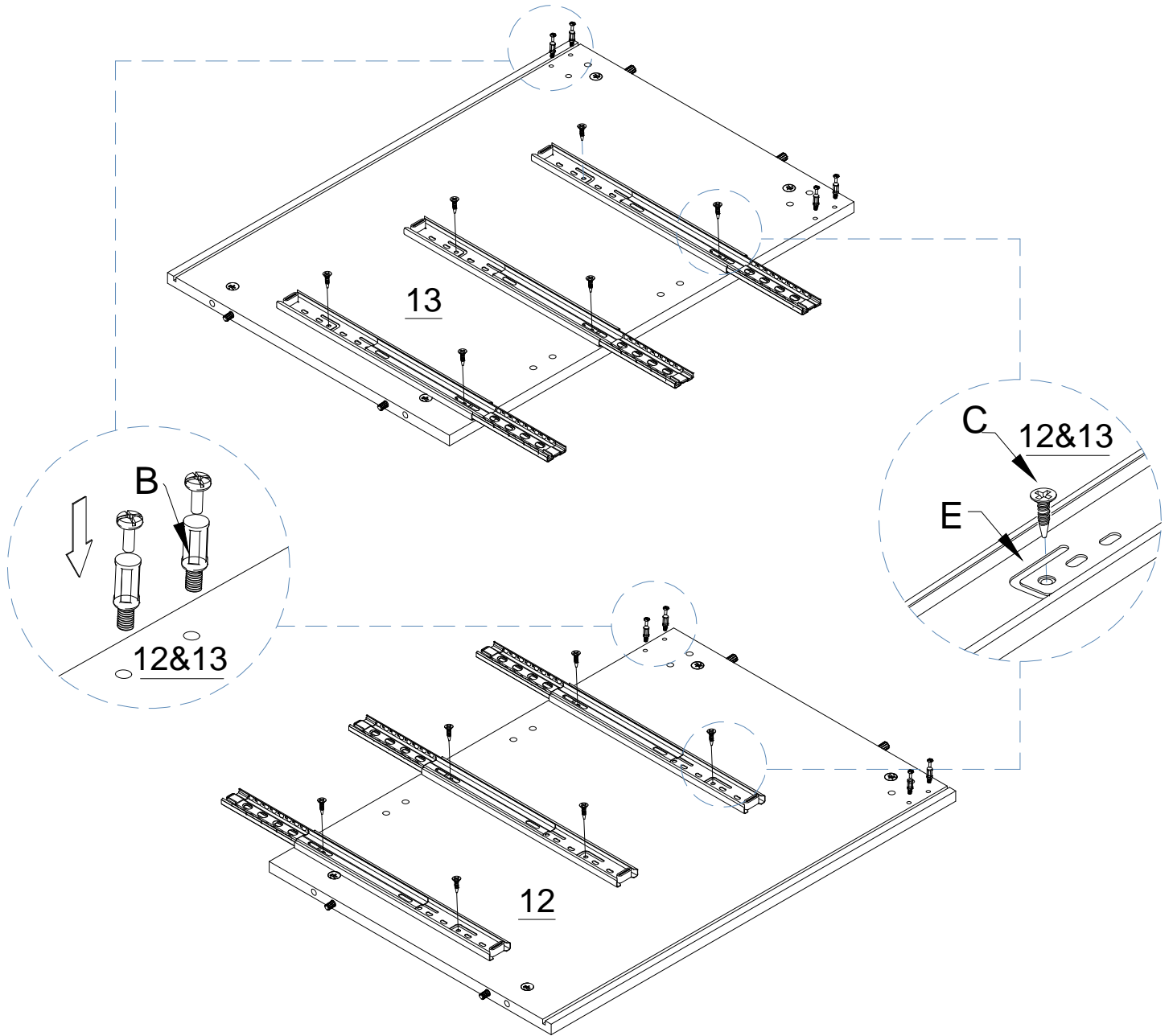
# STEP 7

HARDWARE NEEDED:		
A.		8 PCS
B.		8 PCS



# STEP 8

HARDWARE NEEDED:		
B.		8PCS
C.		12PCS
E.		6PCS



Second Hole

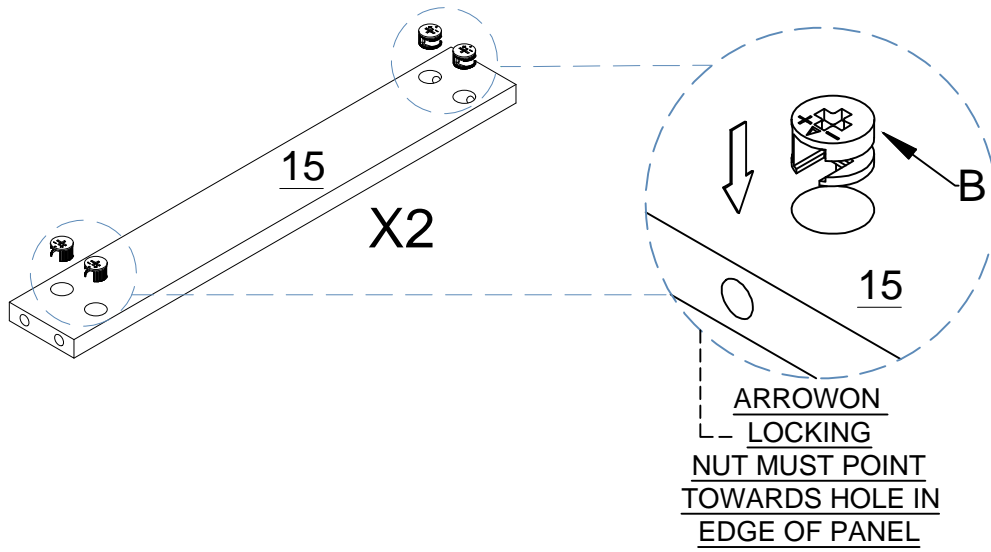
Last Third Hole

**SCREW MUST BE INSERTED  
IN THE SECOND HOLE ON THE  
DRAWER RUNNER**



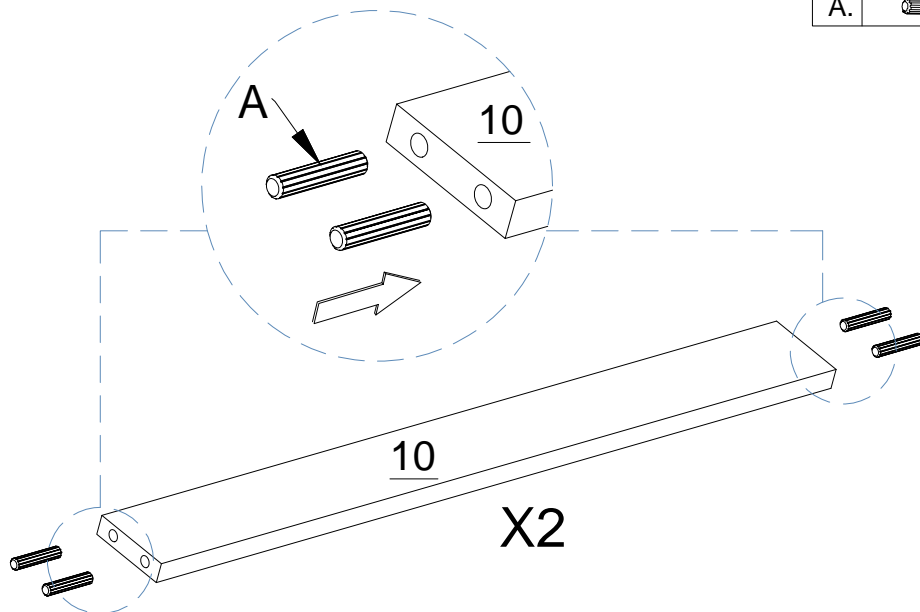
# STEP 9

HARDWARE NEEDED:		
B.		8 PCS

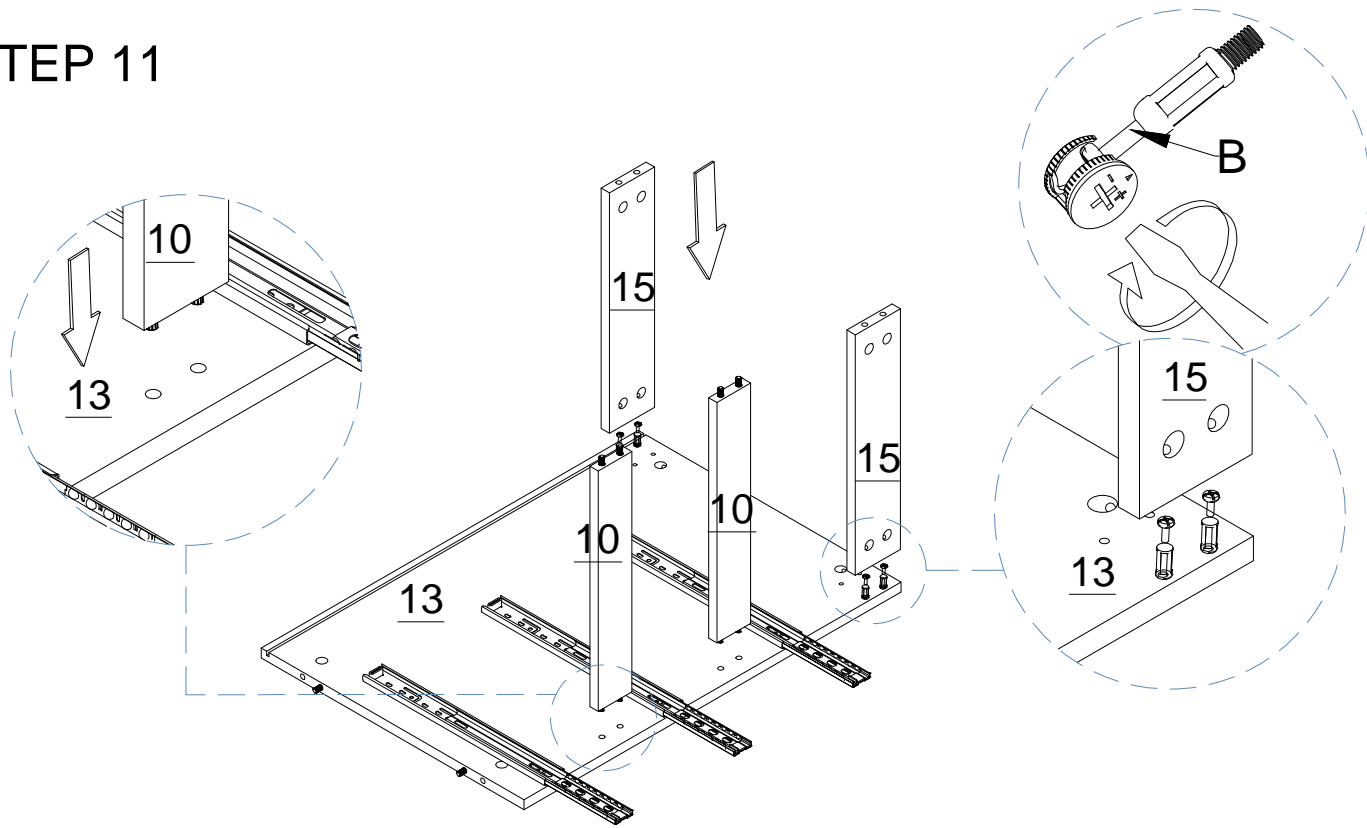


# STEP 10

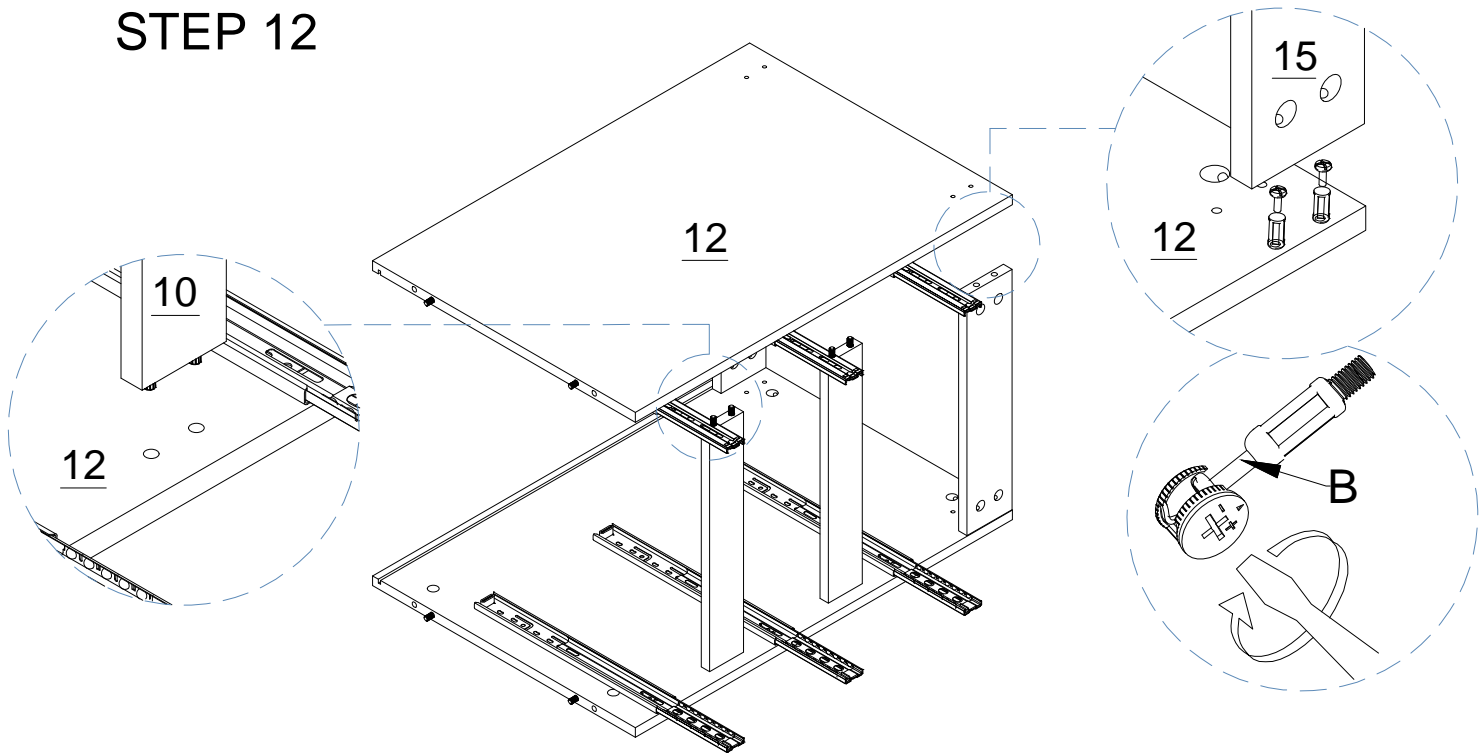
HARDWARE NEEDED:		
A.		8 PCS



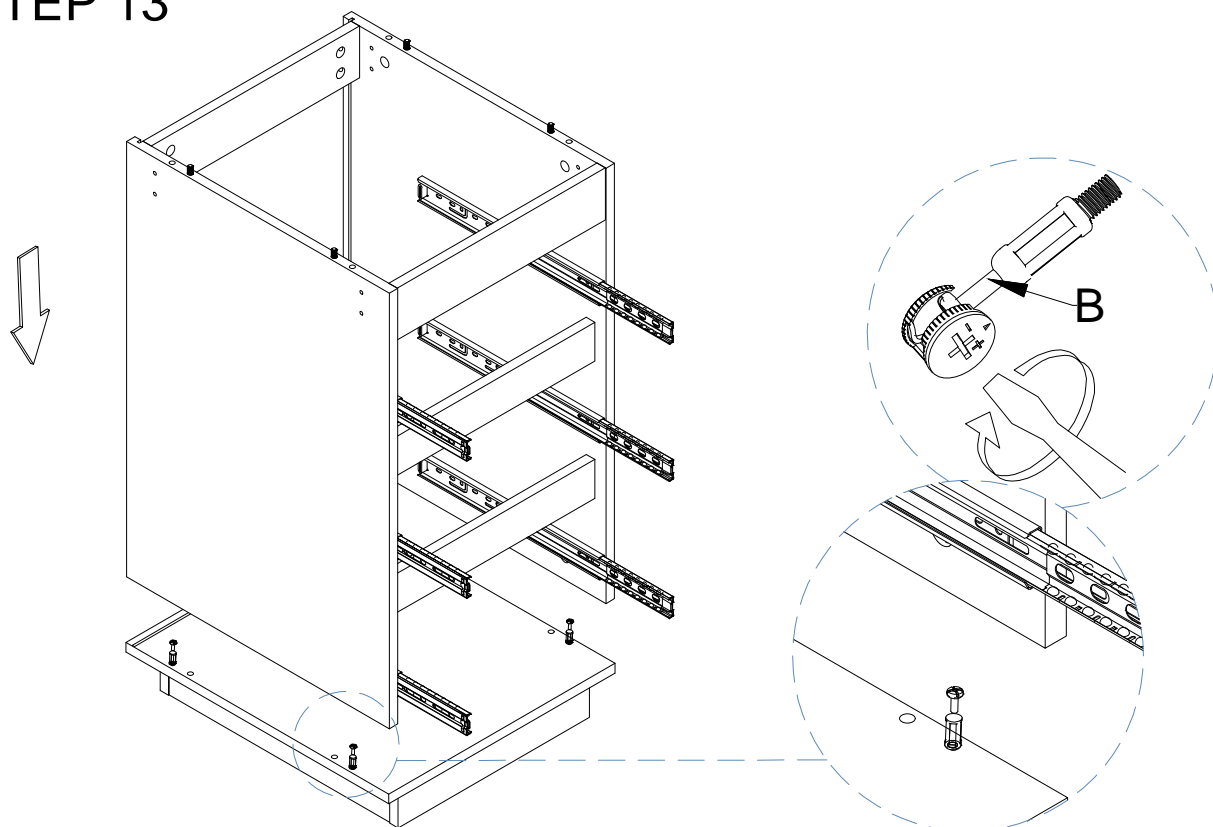
# STEP 11



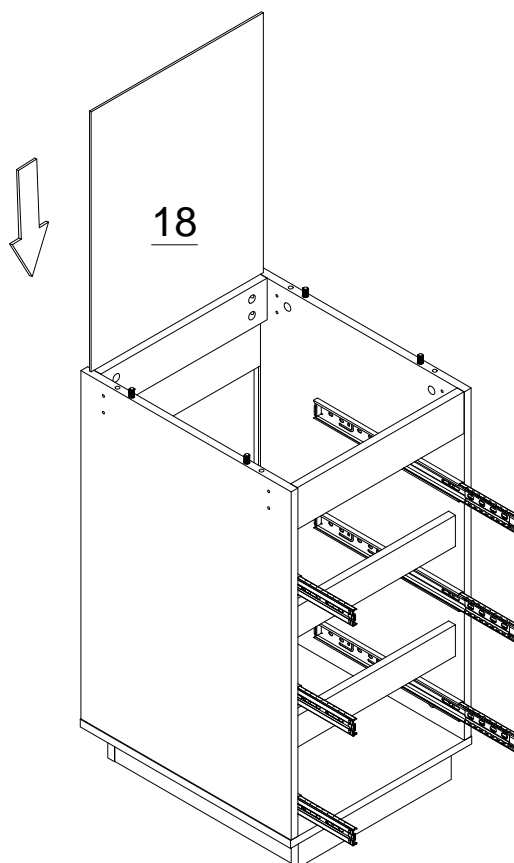
# STEP 12



## STEP 13

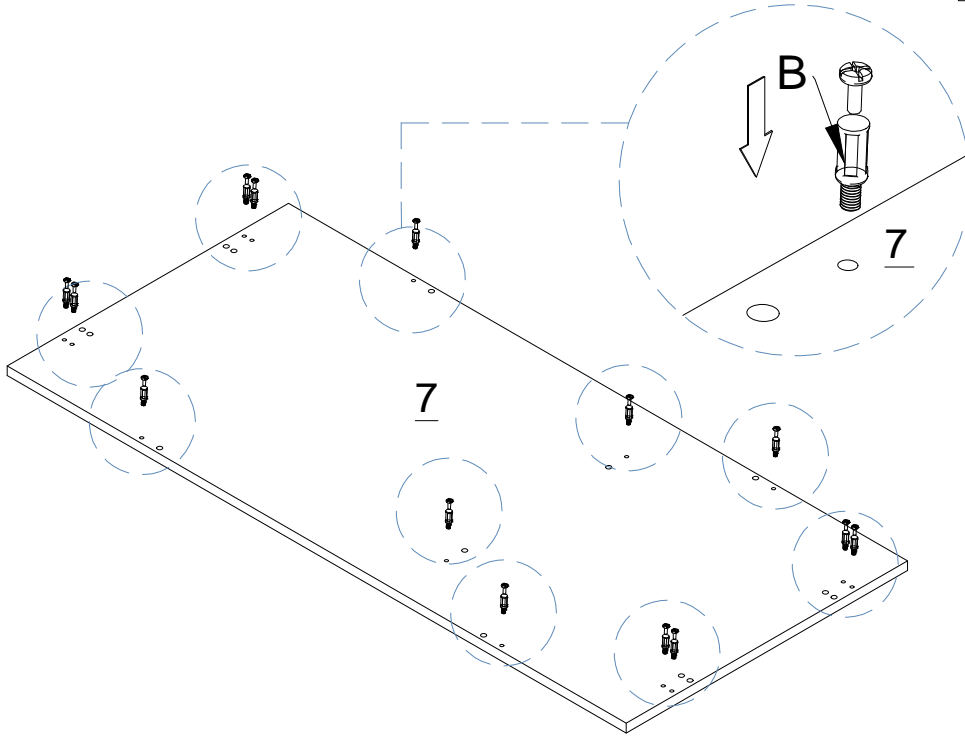


## STEP 14






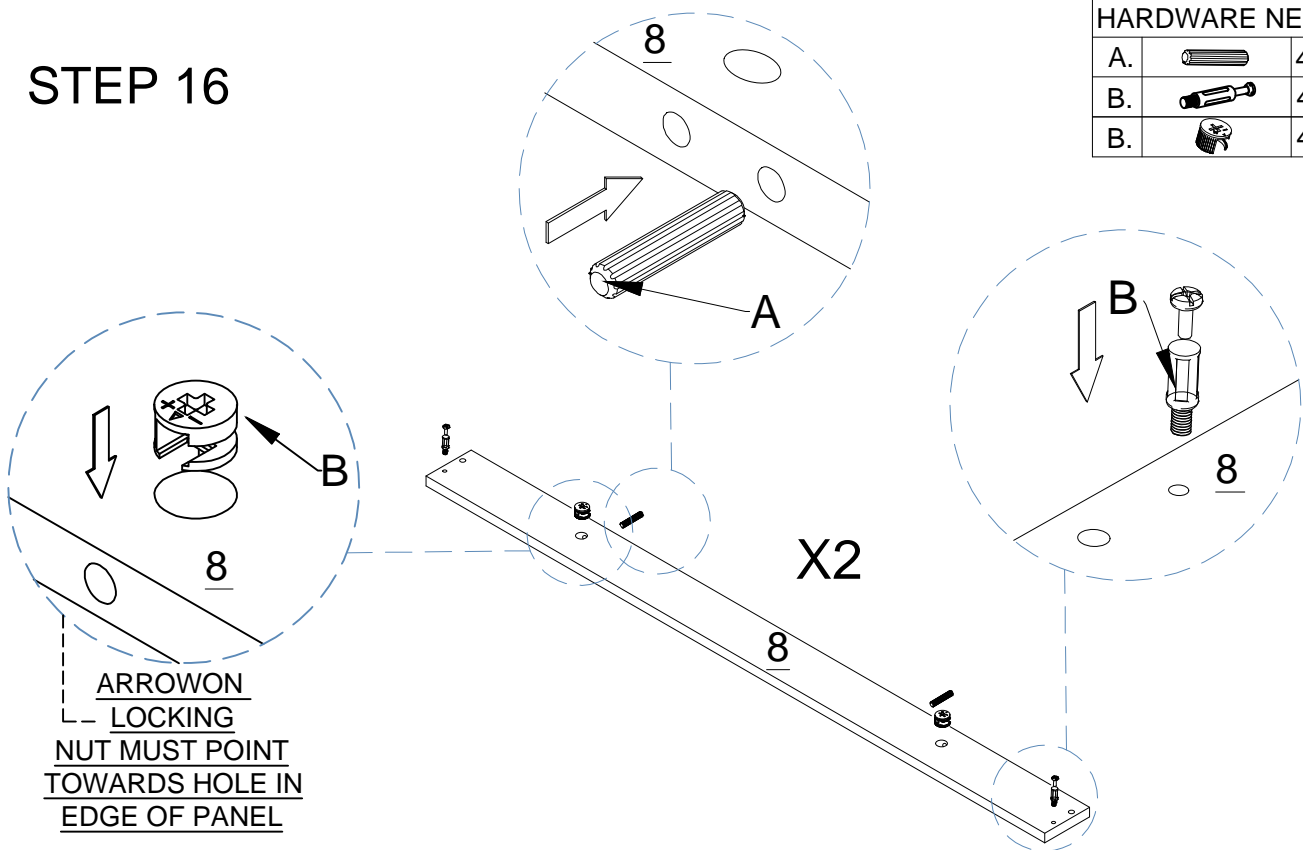
# STEP 15

HARDWARE NEEDED:		
B.		14 PCS





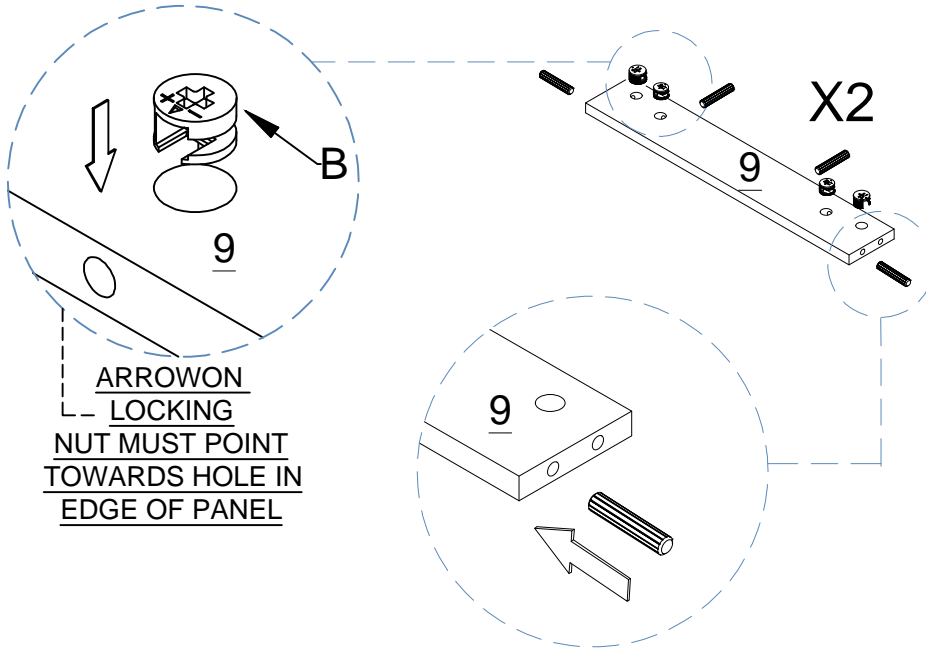
# STEP 16

HARDWARE NEEDED:		
A.		4 PCS
B.		4 PCS
B.		4 PCS

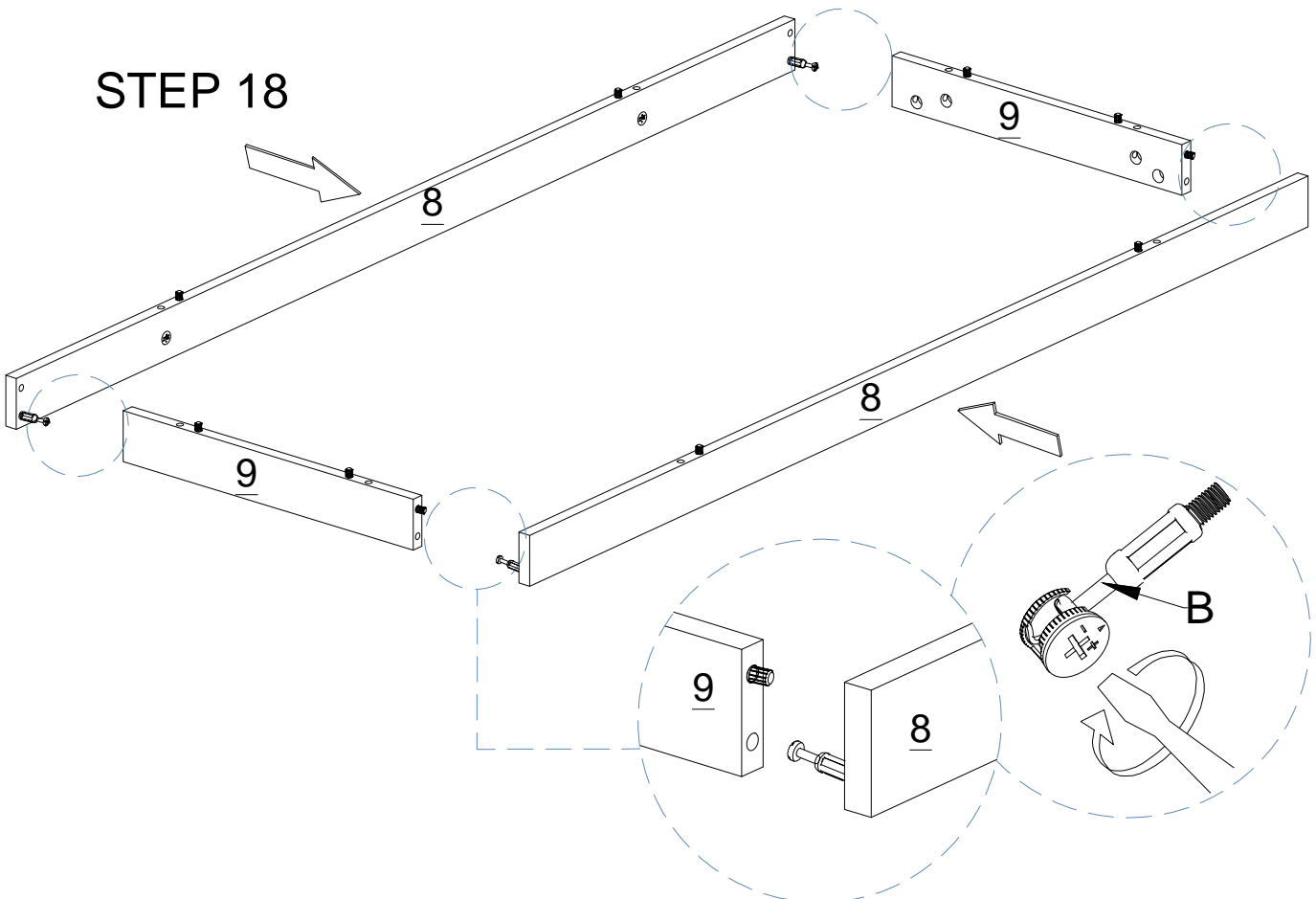


# STEP 17

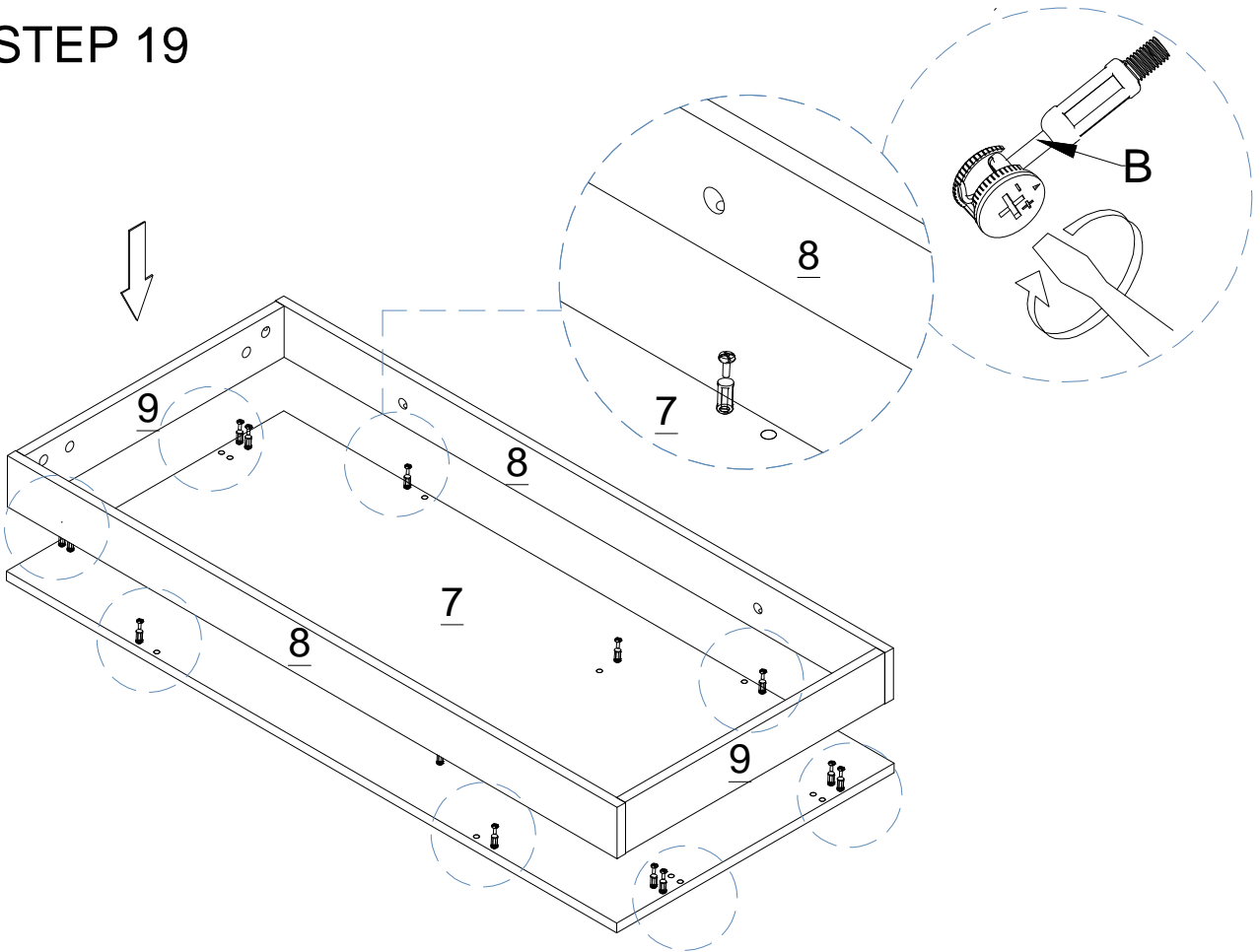
HARDWARE NEEDED:		
A.		8 PCS
B.		8 PCS



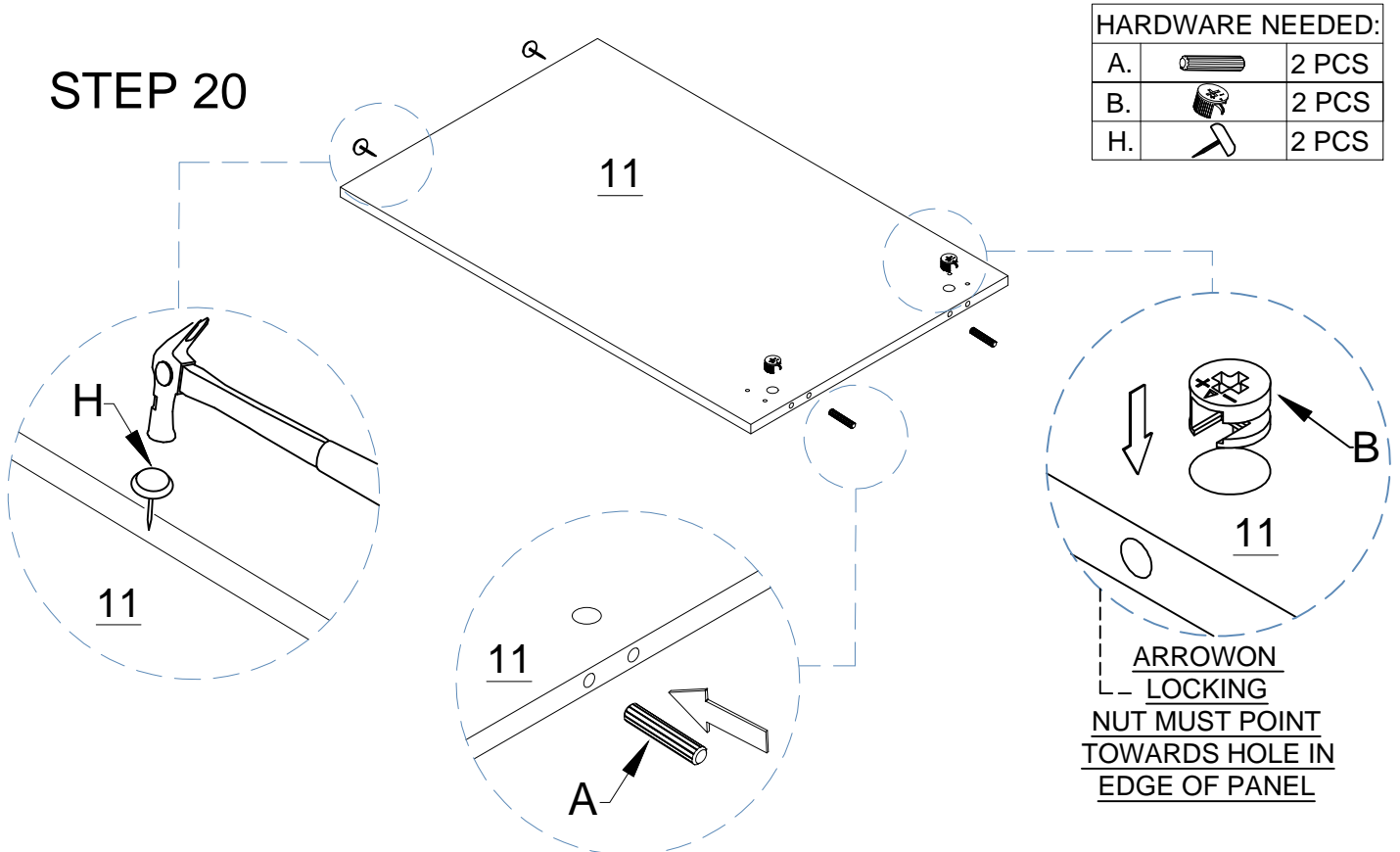
# STEP 18



# STEP 19



# STEP 20

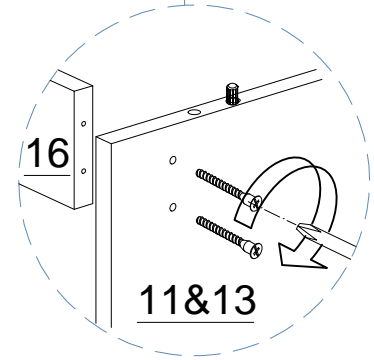
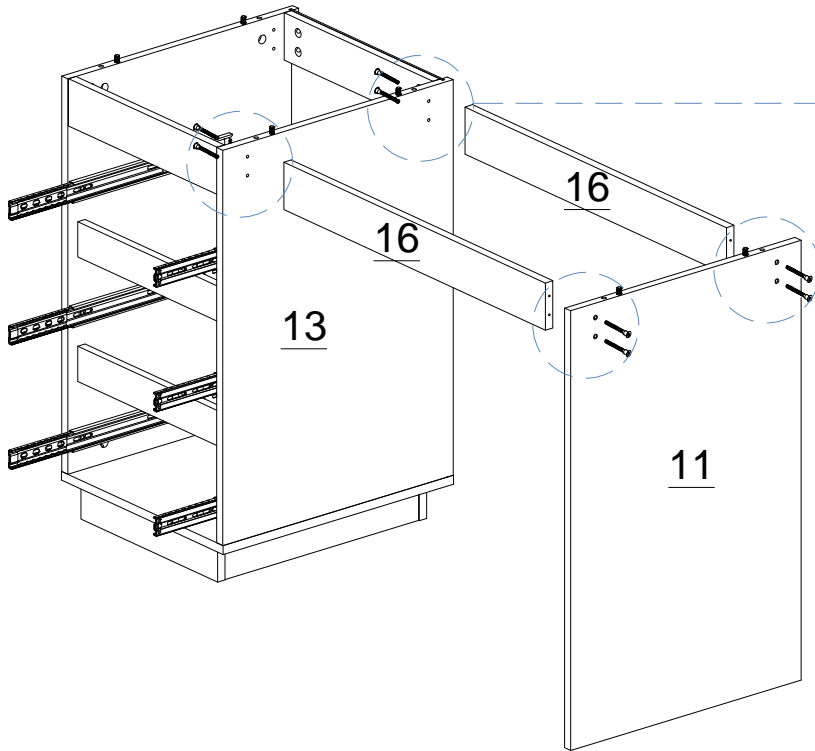


HARDWARE NEEDED:		
A.		2 PCS
B.		2 PCS
H.		2 PCS

ARROW ON  
 LOCKING  
 NUT MUST POINT  
 TOWARDS HOLE IN  
 EDGE OF PANEL

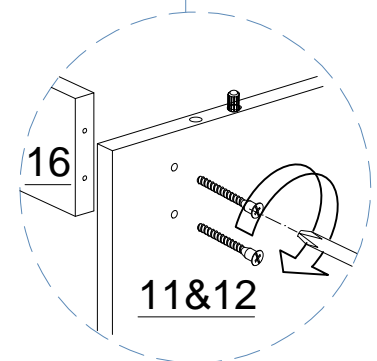
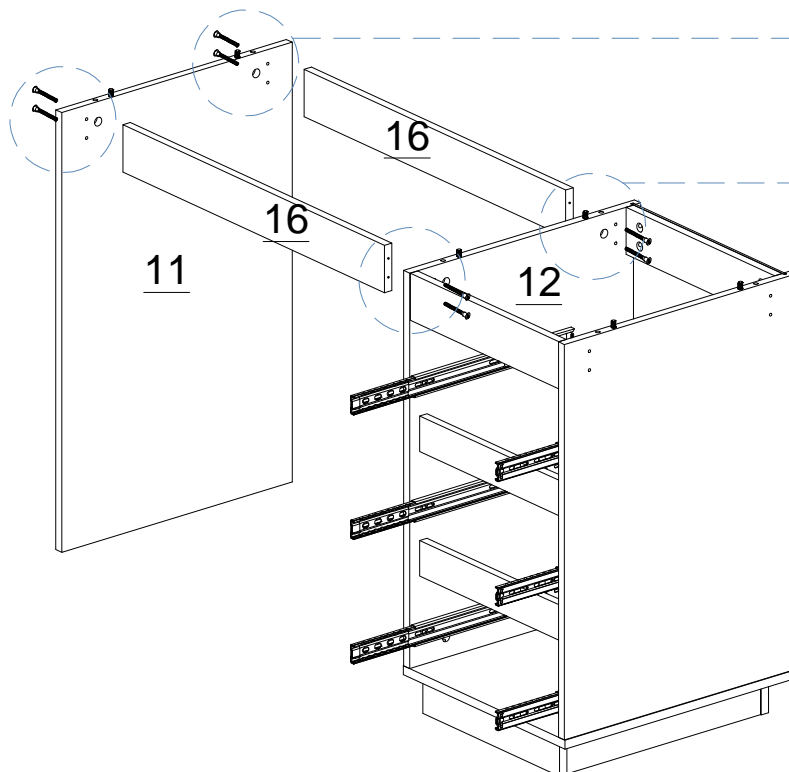
HARDWARE NEEDED:		
G.		8 PCS

# STEP 21



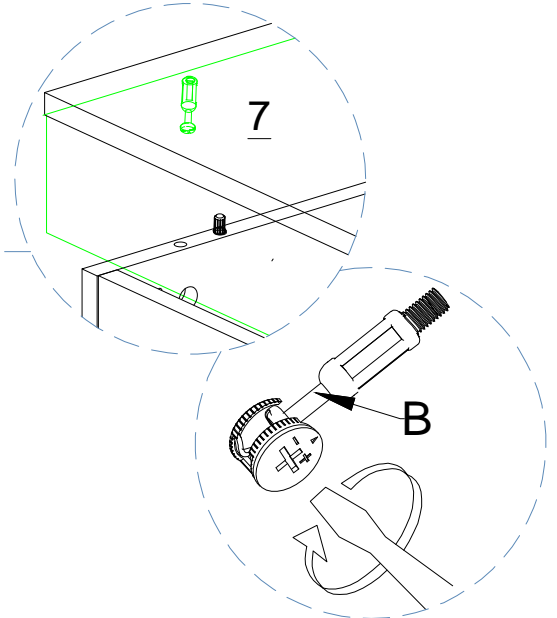
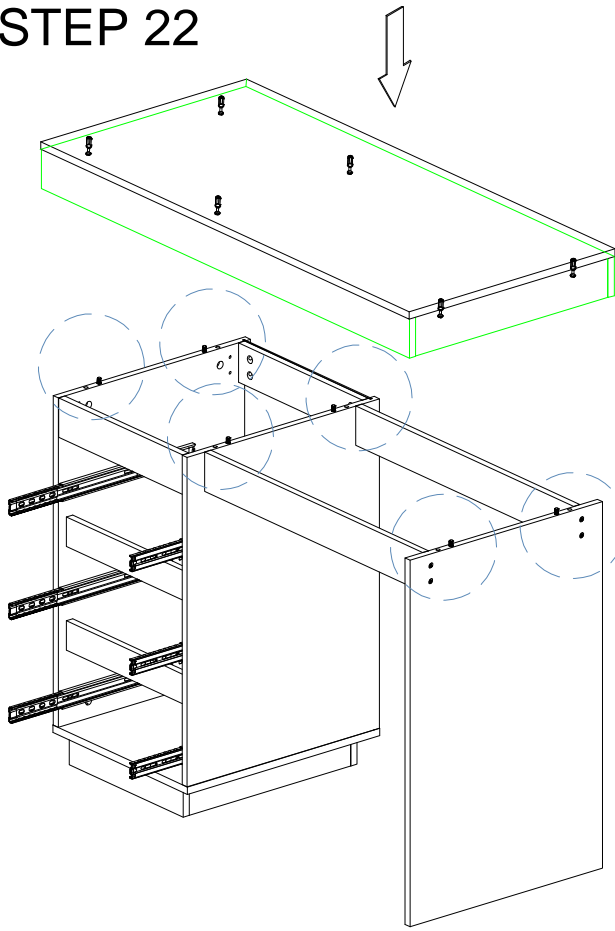
Drawers on the left

OR



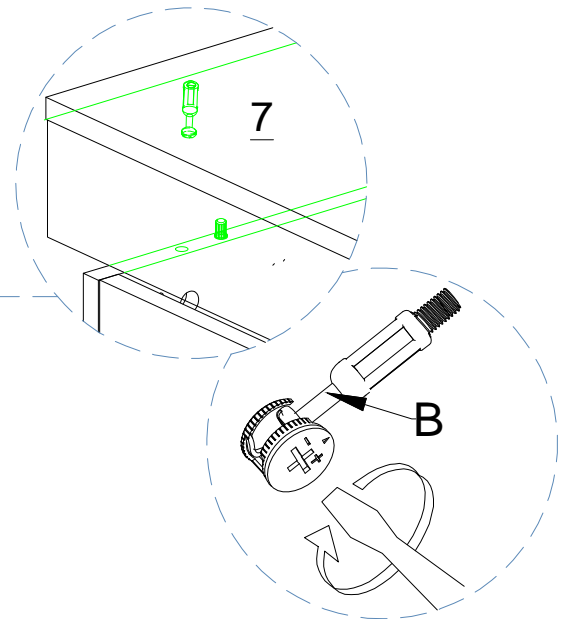
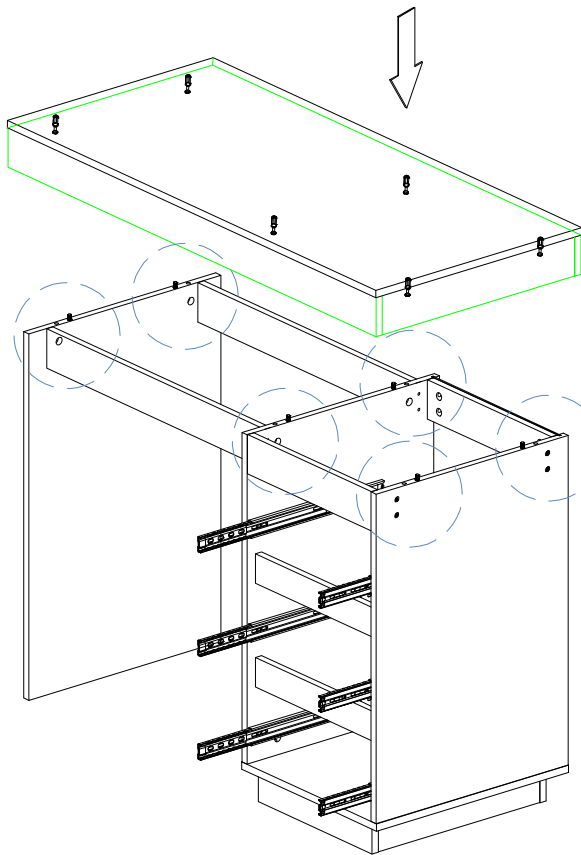
Drawers on the right

# STEP 22



Drawers on the left

OR

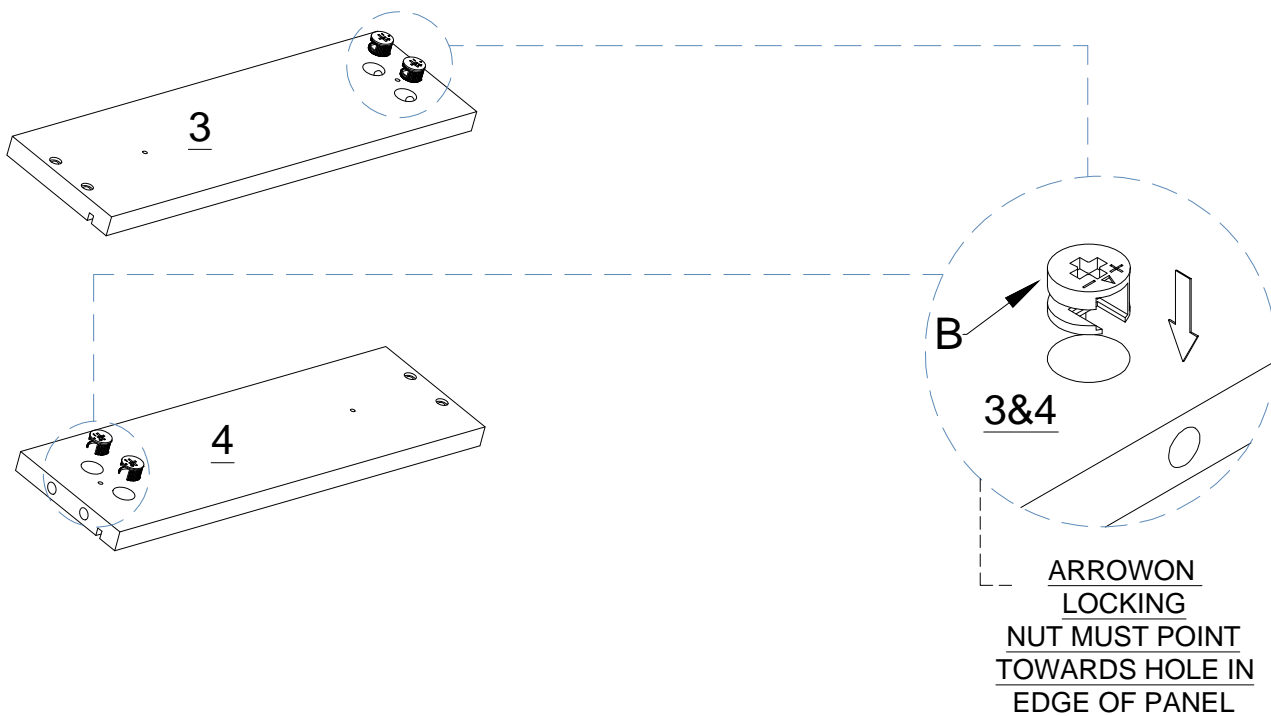


Drawers on the right





# STEP 23

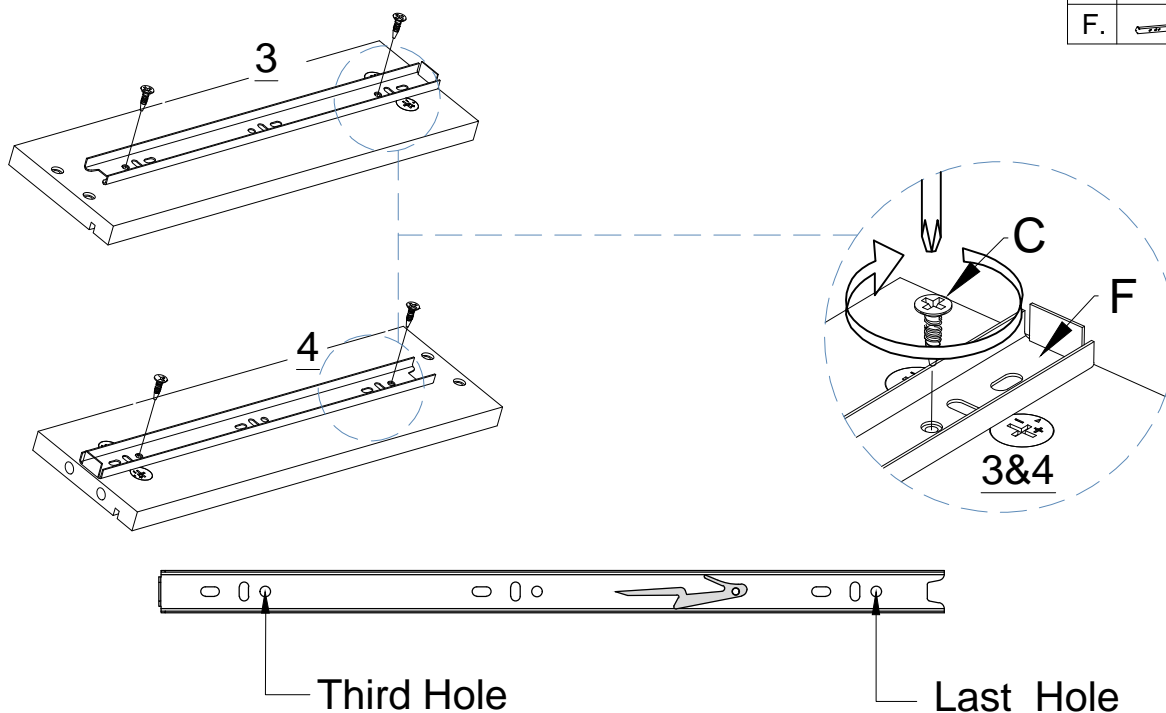
HARDWARE NEEDED:		
B.		12 PCS



## DRAWER X3

# STEP 24

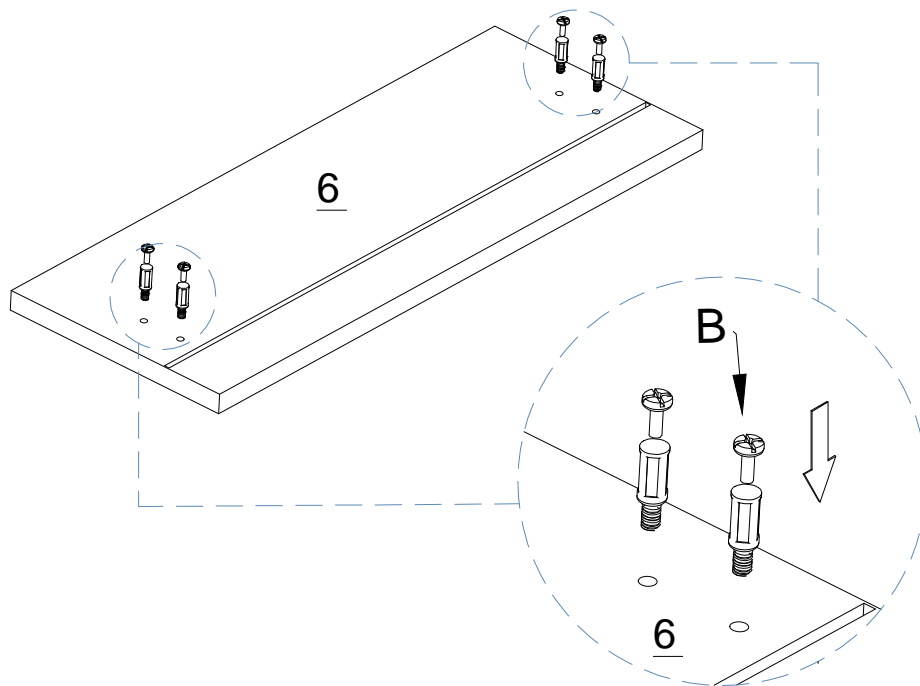
HARDWARE NEEDED:		
C.		12 PCS
F.		6 PCS



## DRAWER X3

# STEP 25

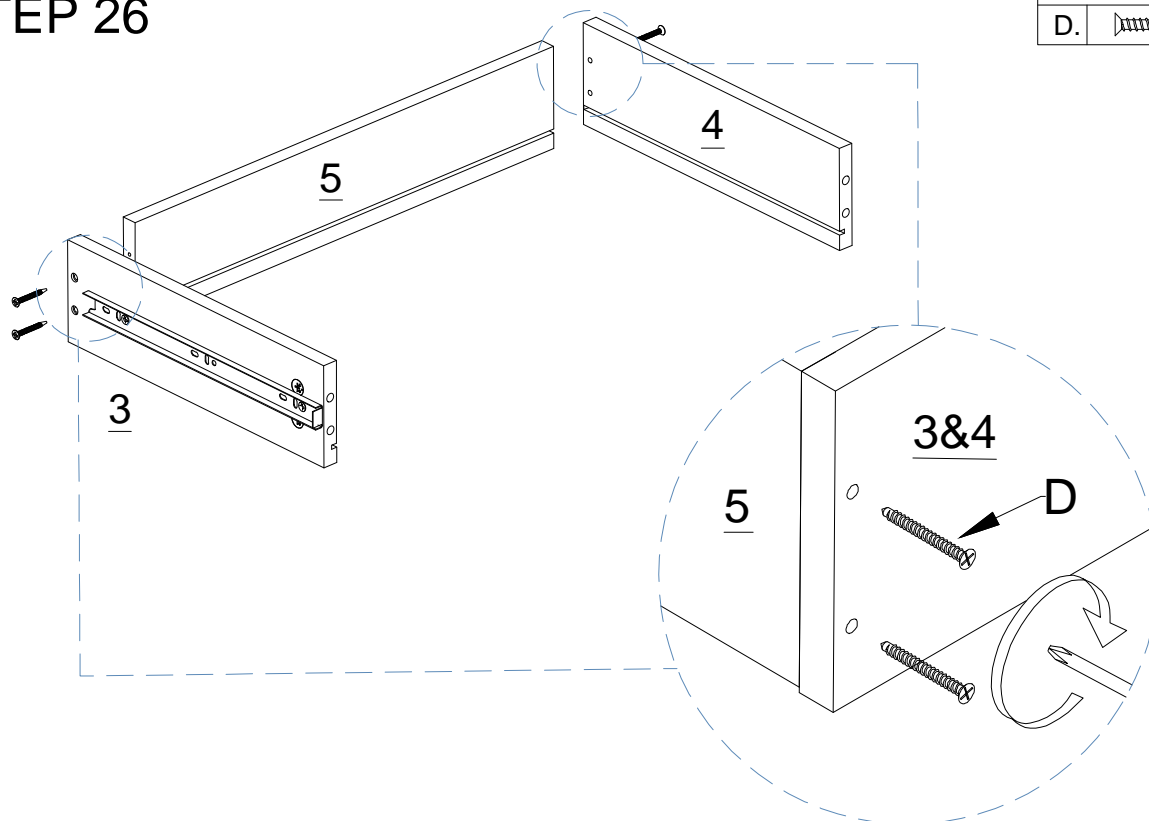
HARDWARE NEEDED:		
B.		12 PCS



# DRAWER X3

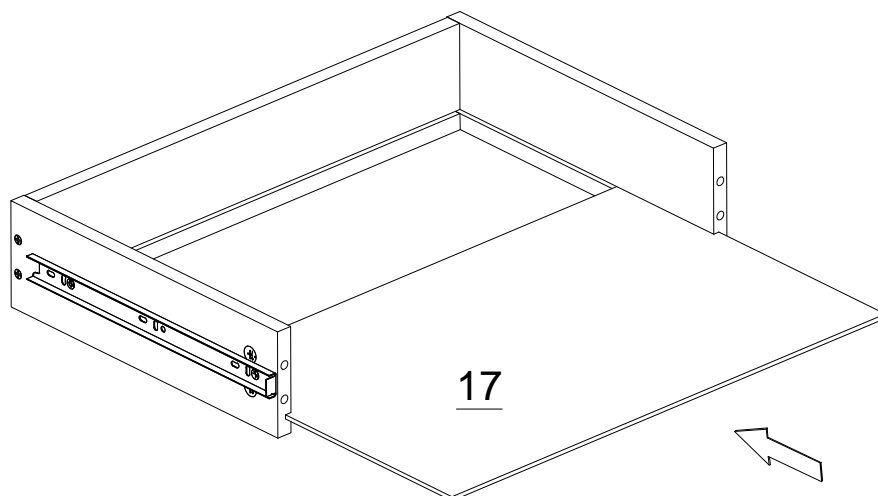
# STEP 26

HARDWARE NEEDED:		
D.		12 PCS



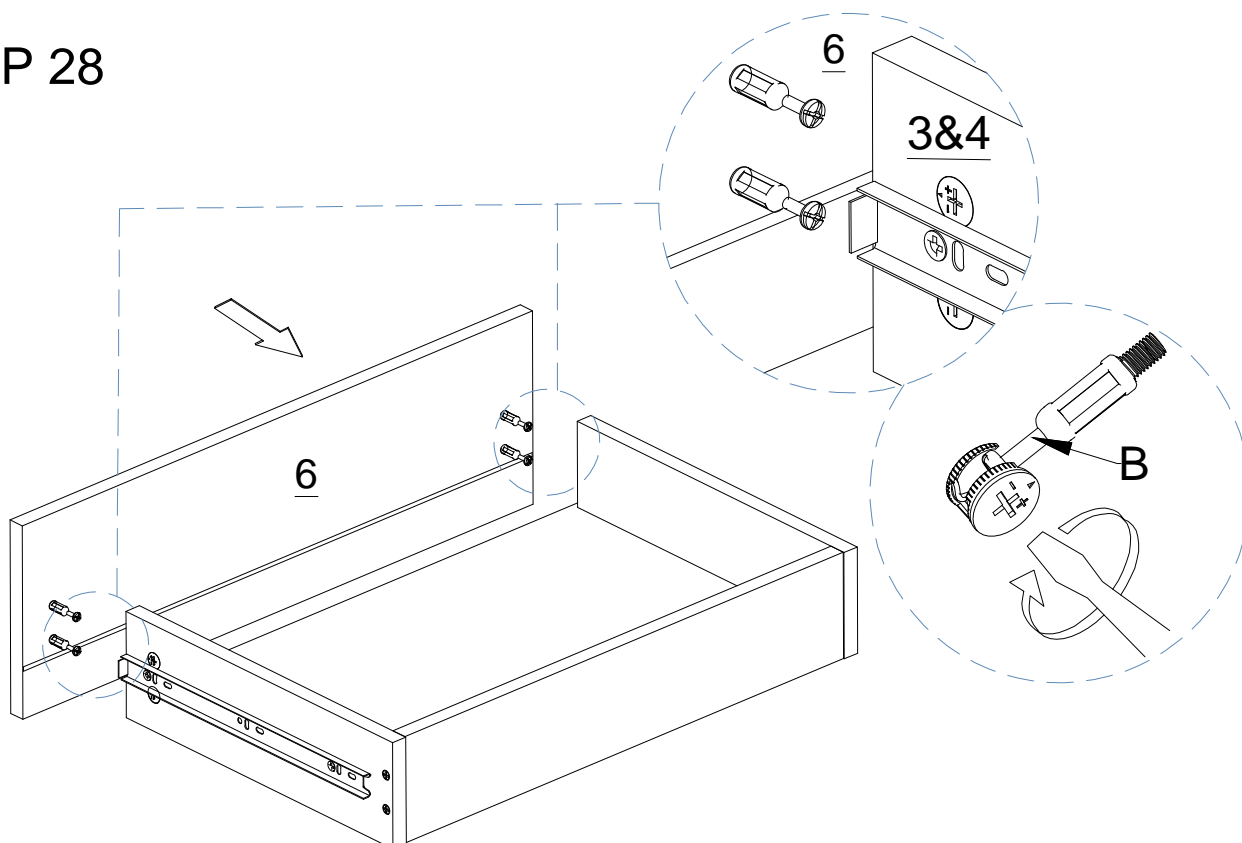
# DRAWER X3

## STEP 27



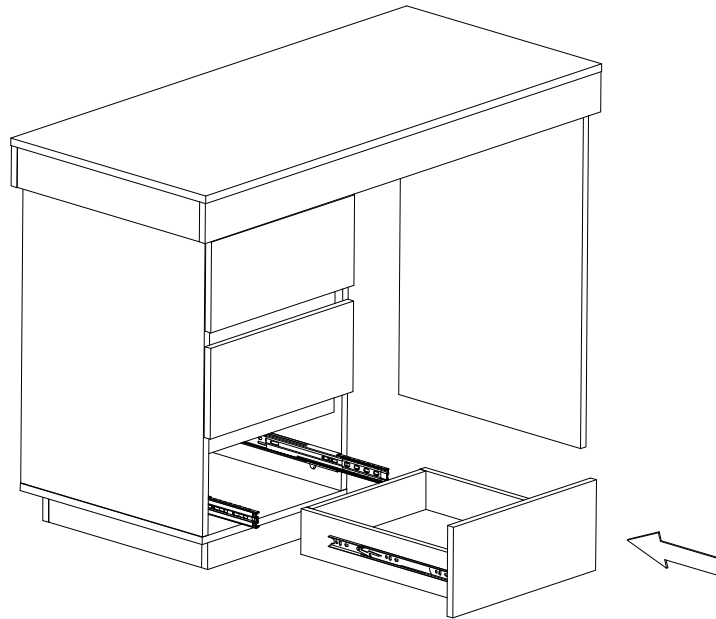
## DRAWER X3

## STEP 28



## DRAWER X3

# STEP 29



## DRAWER X3

---

