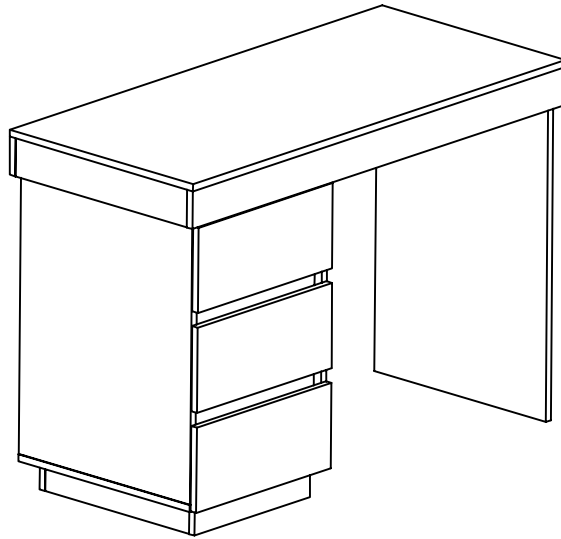


Assemble Instructions

Cuppa Series



Lifely*

Product Code

CPA-D1227-WOK Cuppa Desk

Dimensions(W x D x H)

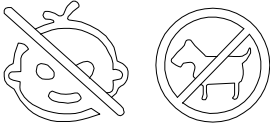
1100*500*760mm

Important

Please read through instructions carefully
Before assembly and keep for future reference.

For our full catalogue of assembly instructions,
Visit:lifely.com.au/assembly.

Important Tips and Maintenance



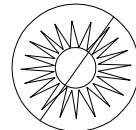
1. Keep children and animals away from working area as smaller parts may cause choking if swallowed



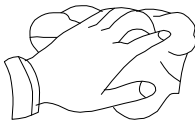
2. Never place liquids or anything damp upon furniture as it will mark, Ensure a coaster or running is beneath.



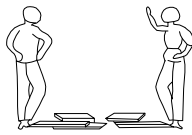
3. New use ammonia based cleaning products as it will damage the finish.



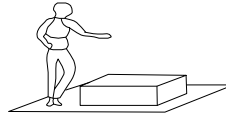
4. To avoid fading, keep furniture out of direct sunlight.



5. Use a soft or damp cloth (dry cloth) when wiping or cleaning surface.



6. Two person are required



7. Lay a soft matt down to protect the furniture pieces before and during assembly.

So your relationship is strong. But is it flat-pack furniture strong? Unless you're an aerospace engineer, assembling furniture can be slightly stressful. We recommend meditating quietly, pouring yourself a herbal tea (or slightly less herbal wine) and tackling things one step at a time. If you feel a passive aggressive remark coming on, try a compliment instead. E.g. "You're so good looking".

This 30-Step assembly should take around 55 minutes with an Allen Key-or 45 minutes with an electric drill. Godspeed.

Designed for everyday

Components Hardware

Please check you have all the fittings
part or tools are listed in below.

No.A
Quantity:38Pcs
Dowel 8*40mm



No.B
Quantity:50Pcs
Cam Bolt



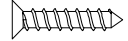
No.B
Quantity:50Pcs
Cam Nut



No.C
Quantity:30Pcs
Screw M3.5*14mm



No.D
Quantity:12Pcs
Screw M3.5*35mm



No.E
Quantity:6Pcs
Drawer Runner



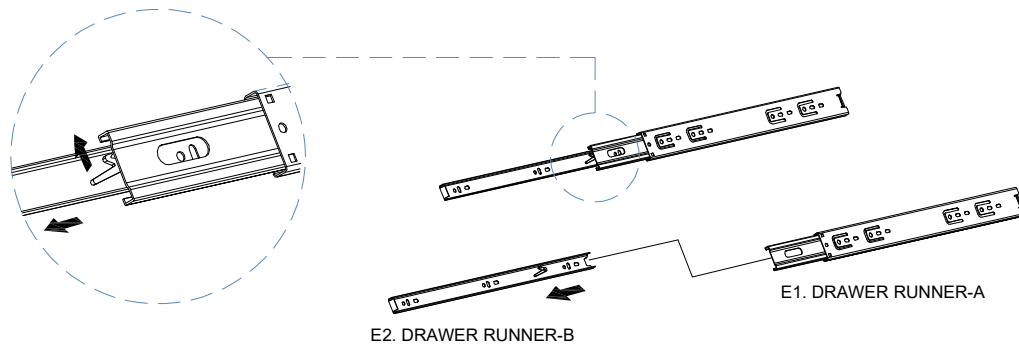
No.G
Quantity:8Pcs
Screw M7*50mm



No.H
Quantity:10Pcs
Ground Nail



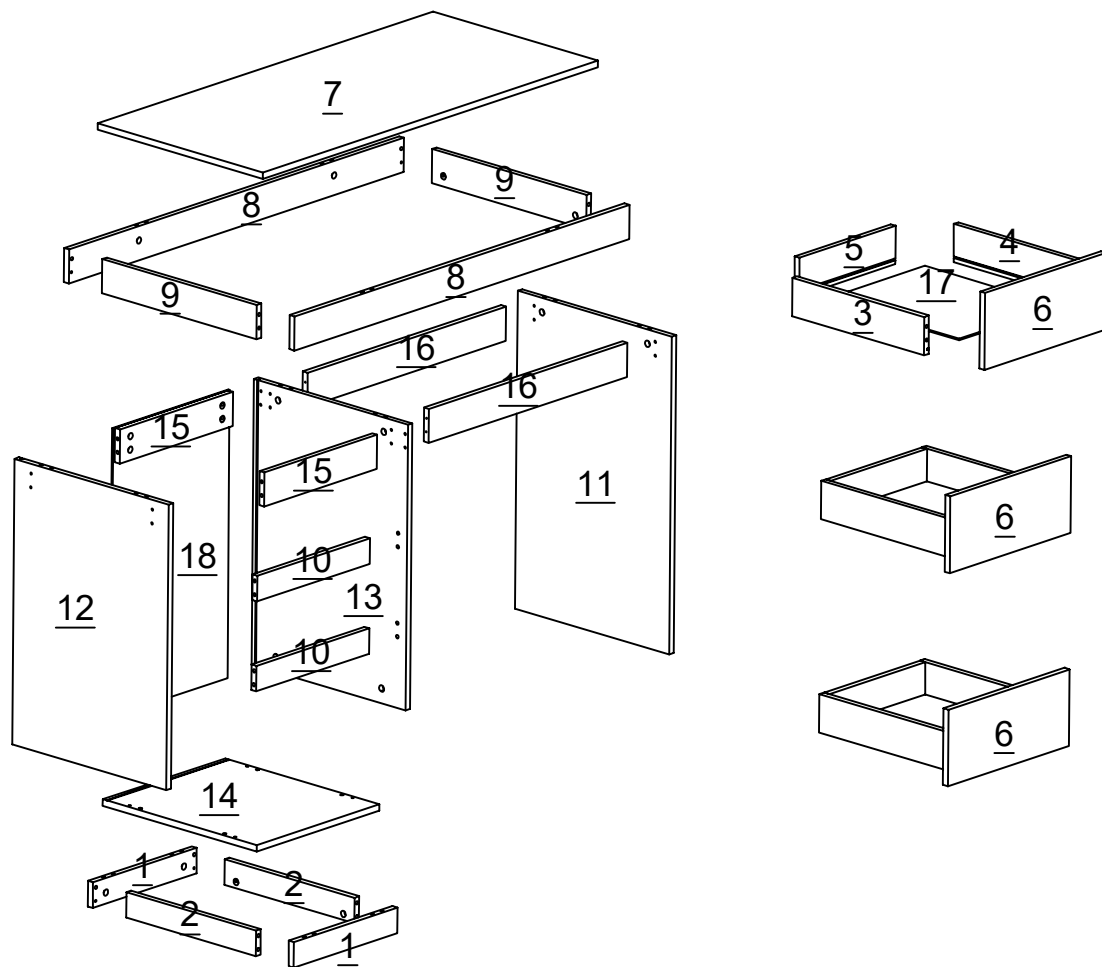
No.I
Quantity:6Pcs
Back Plate Clamp



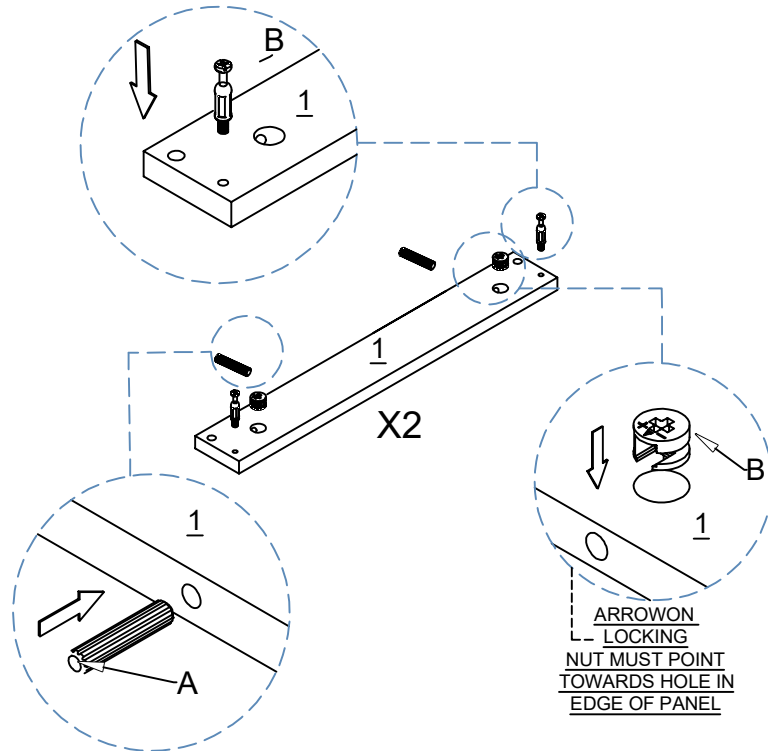
Components Panels & Part List

Please check you have all the panels are listed below.

- | | |
|--------------------------|----------------------------|
| 1. Base -----x2 | 10. Front panel -----x2 |
| 2. Base side -----x2 | 11. Table leg -----x1 |
| 3. Drawer side_l -----x3 | 12. Side panel_l -----x1 |
| 4. Drawer side_r -----x3 | 13. Side panel_r -----x1 |
| 5. Drawer back -----x3 | 14. Bottom panel -----x1 |
| 6. Drawer front -----x3 | 15. Chest brace panel --x2 |
| 7. Table top -----x1 | 16. Table brace panel --x2 |
| 8. Long skirt -----x2 | 17. Drawer base -----x3 |
| 9. Short skirt -----x2 | 18. Back panel -----x1 |



STEP1



No.A
Quantity:4Pcs
Dowel



No.B
Quantity:4Pcs
Cam Bolt

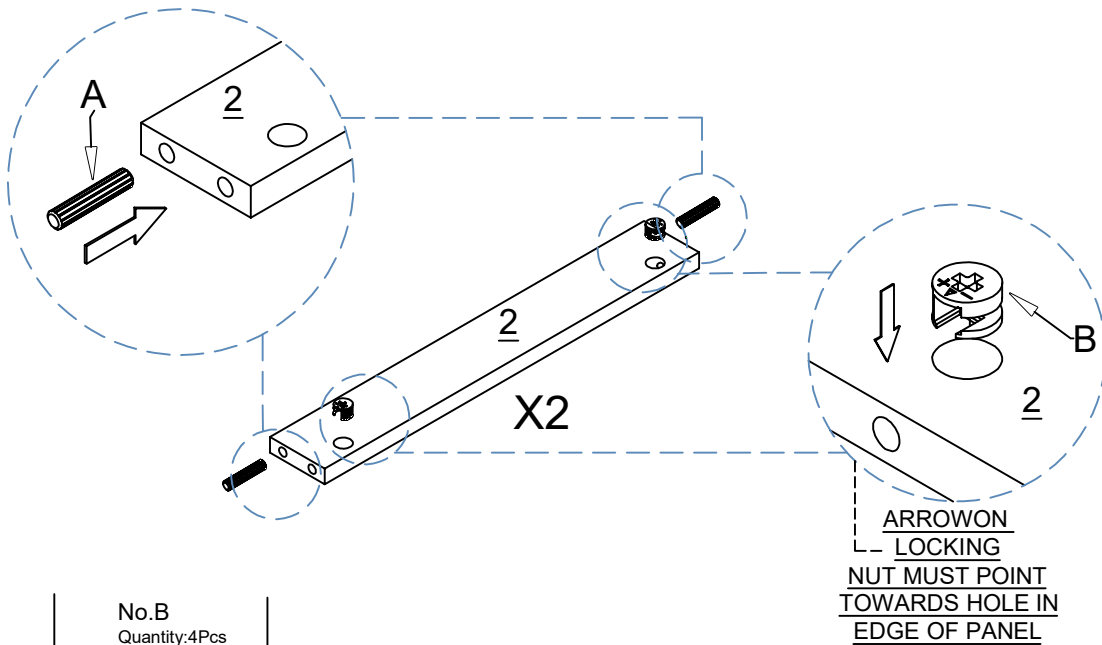


No.B
Quantity:4Pcs
Cam Nut



ARROW ON
LOCKING
NUT MUST POINT
TOWARDS HOLE IN
EDGE OF PANEL

STEP2



No.A
Quantity:4Pcs
Dowel

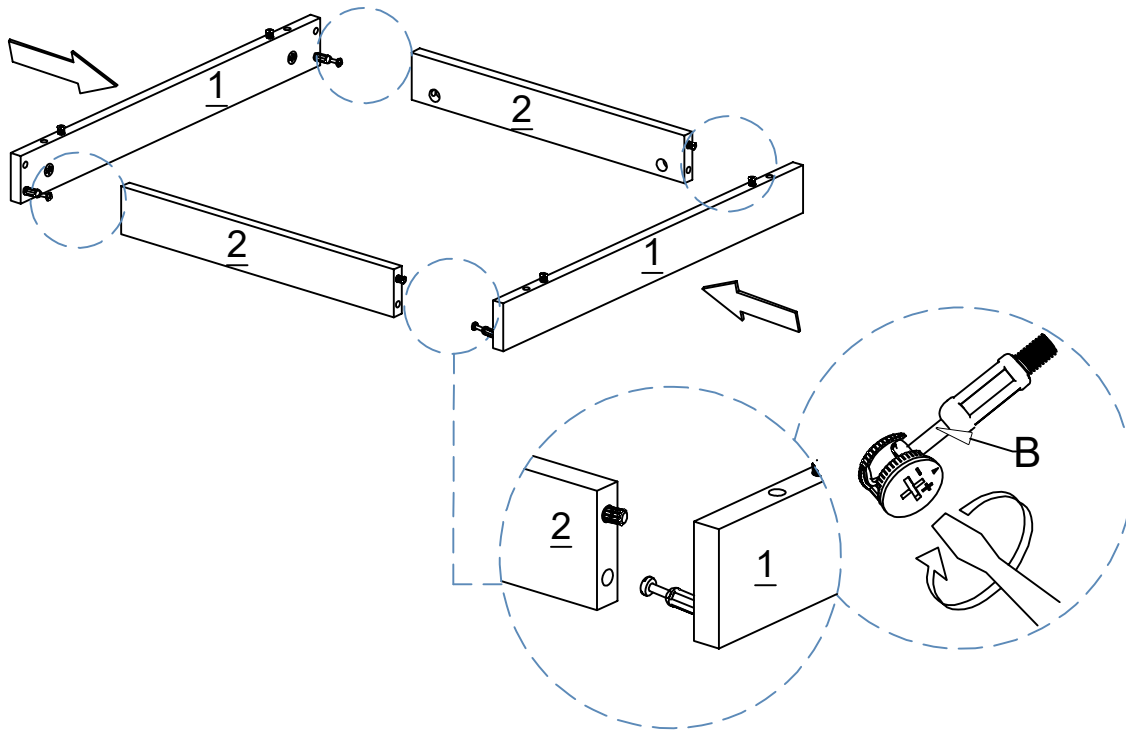


No.B
Quantity:4Pcs
Cam Nut

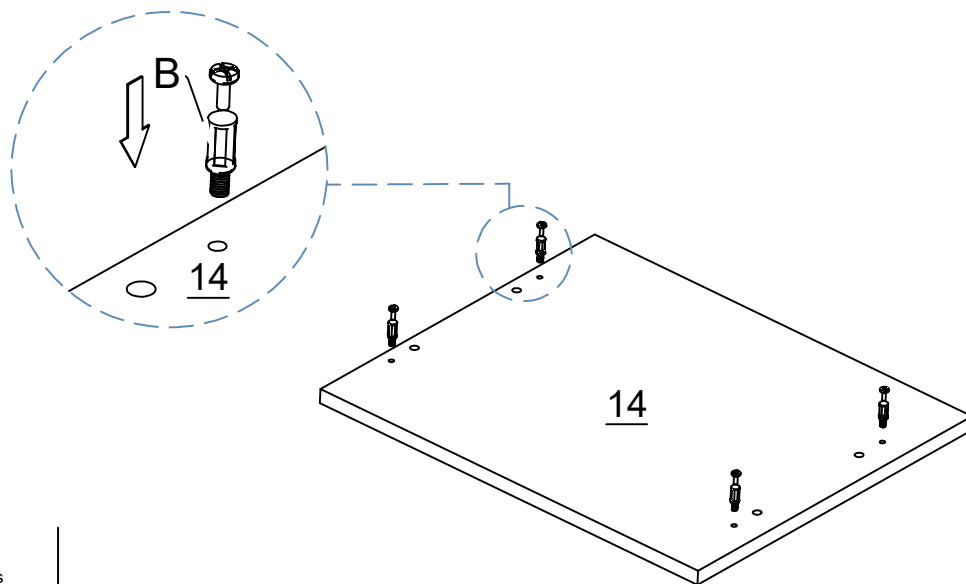


ARROW ON
LOCKING
NUT MUST POINT
TOWARDS HOLE IN
EDGE OF PANEL

STEP3



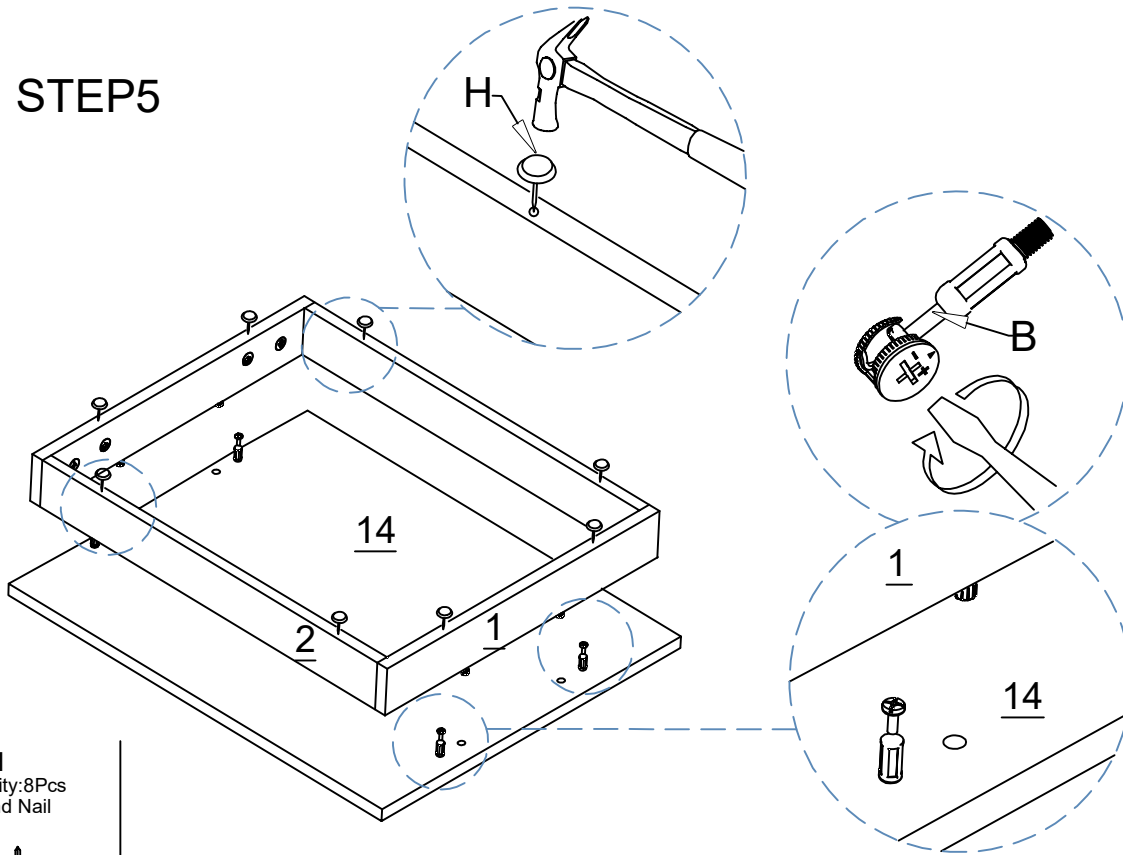
STEP4



No.B
Quantity:4Pcs
Cam Bolt



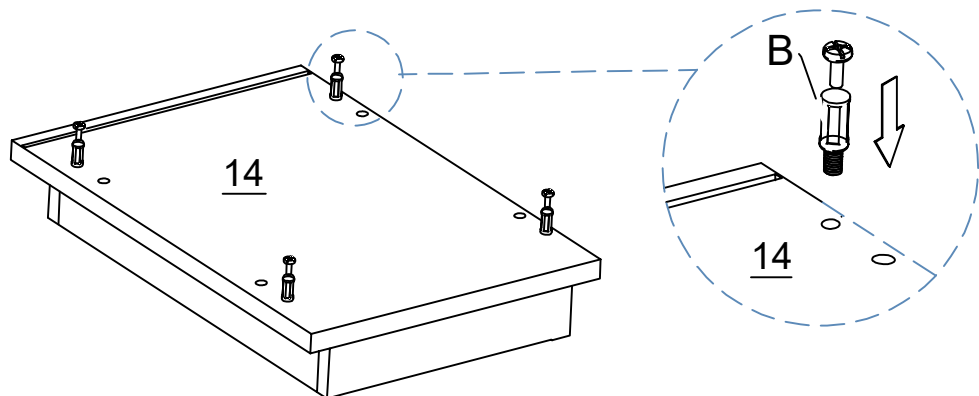
STEP5



No.H
Quantity:8Pcs
Ground Nail



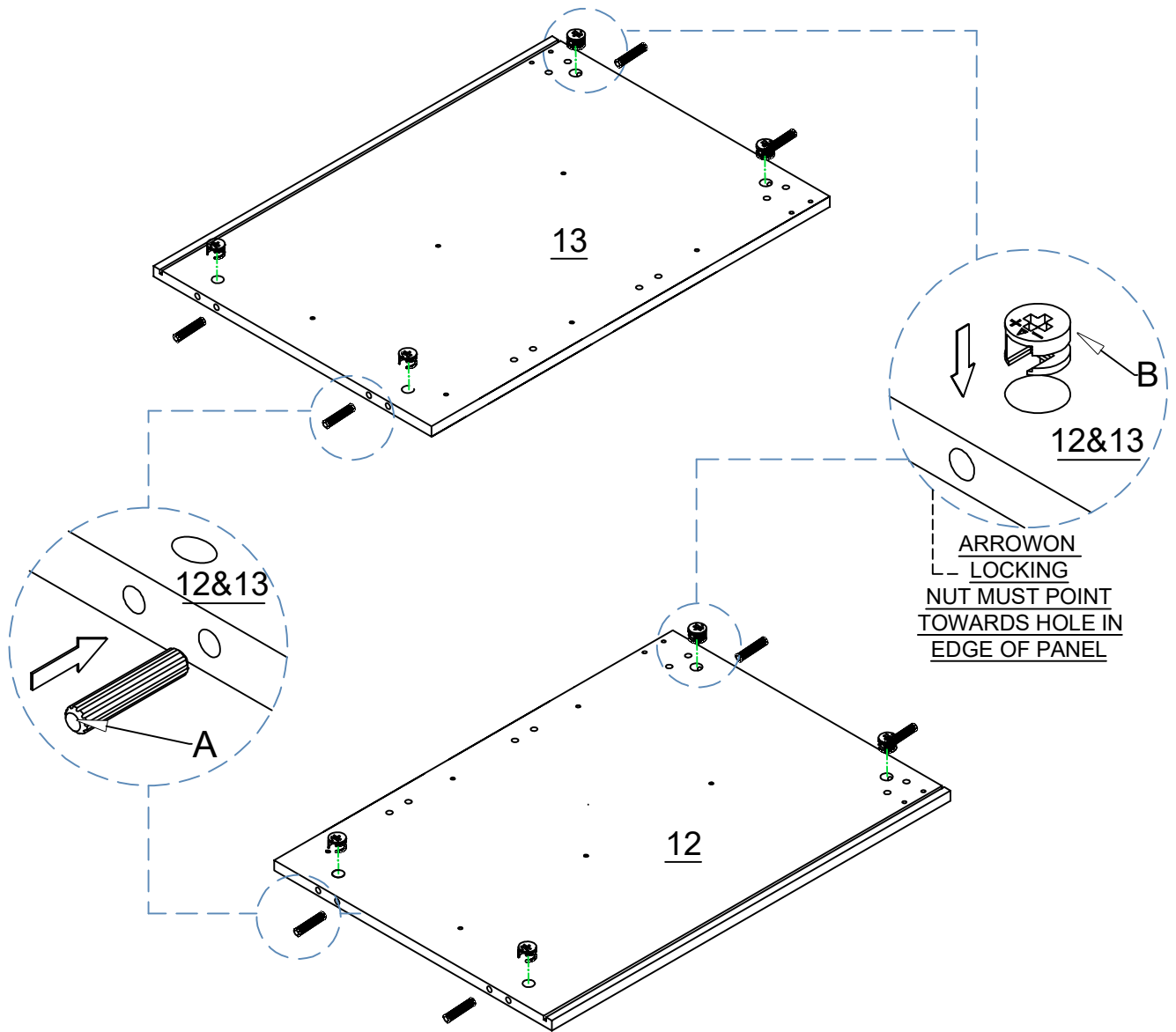
STEP6



No.B
Quantity:4Pcs
Cam Bolt



STEP 7



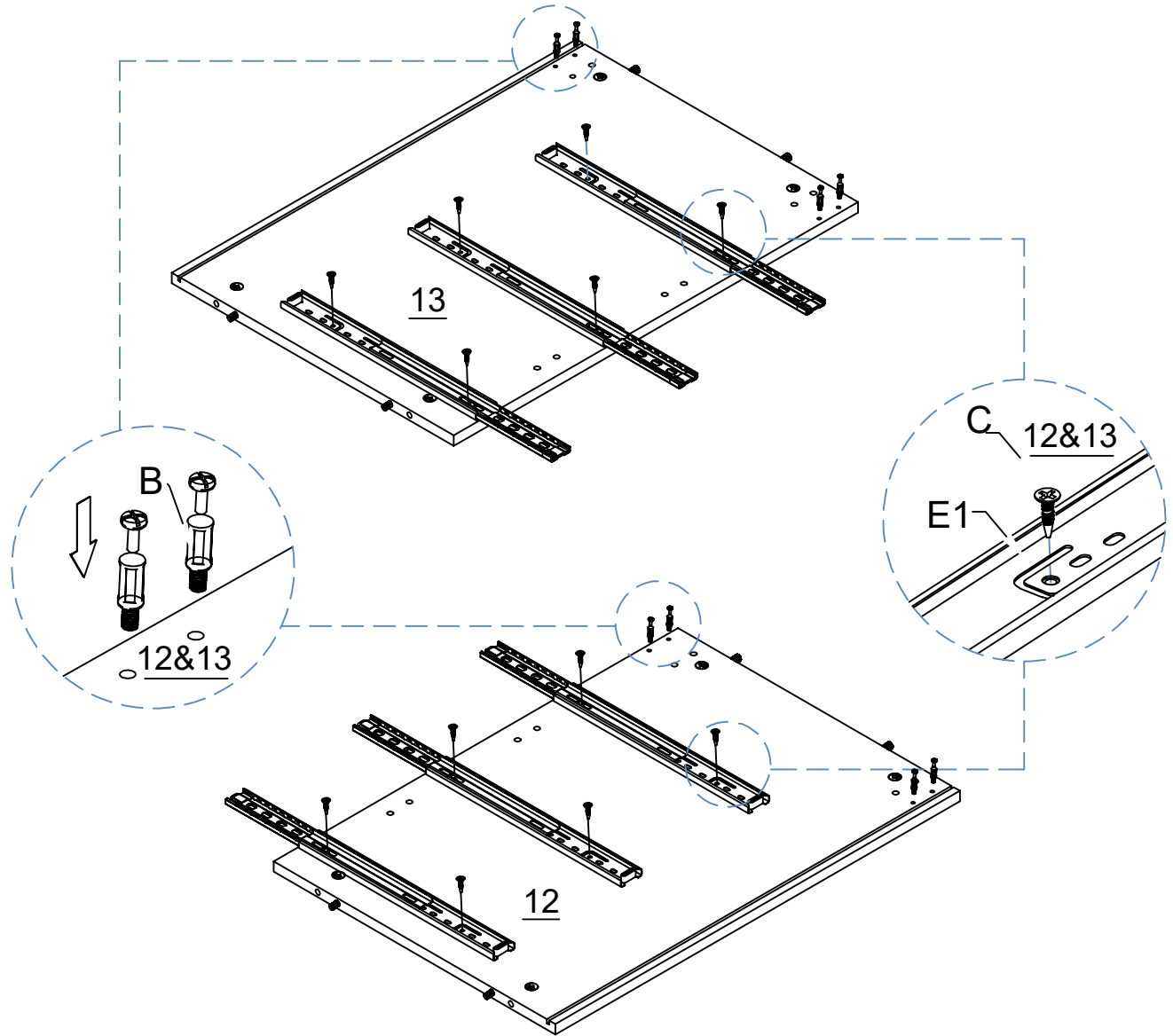
No.A
Quantity:8Pcs
Dowel



No.B
Quantity:8Pcs
Cam Nut



STEP 8



Second Hole

Last Third Hole

**SCREW MUST BE INSERTED
IN THE SECOND HOLE ON THE
DRAWER RUNNER**

No.C
Quantity:12Pcs
Screw M3.5*14mm



No.E
Quantity:6Pcs
Drawer Runner

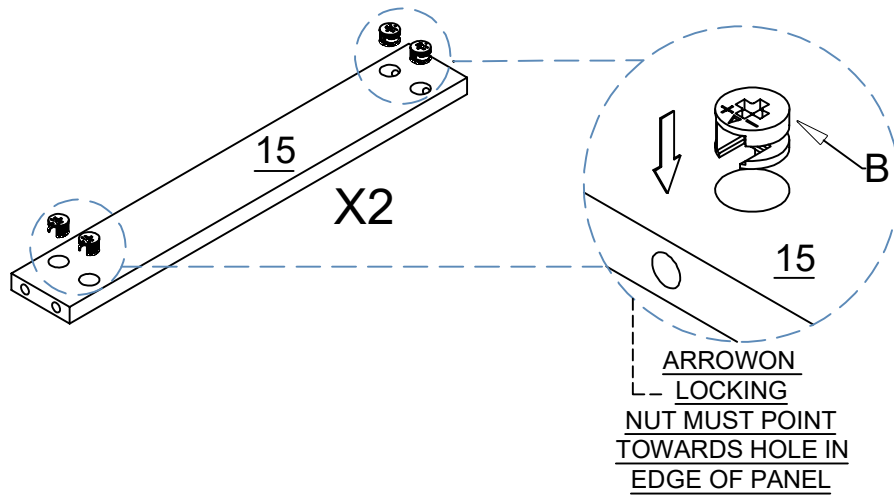


E1

No.B
Quantity:8Pcs
Cam Bolt



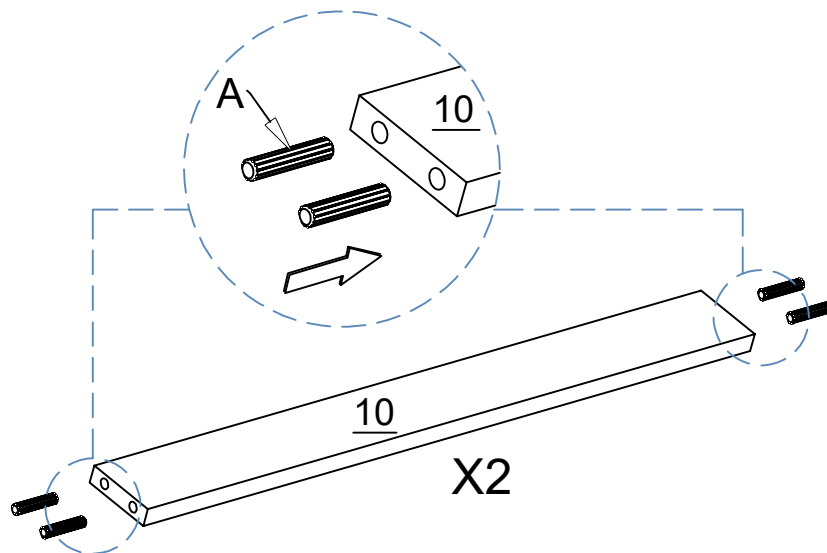
STEP 9



No.B
Quantity:8Pcs
Cam Nut



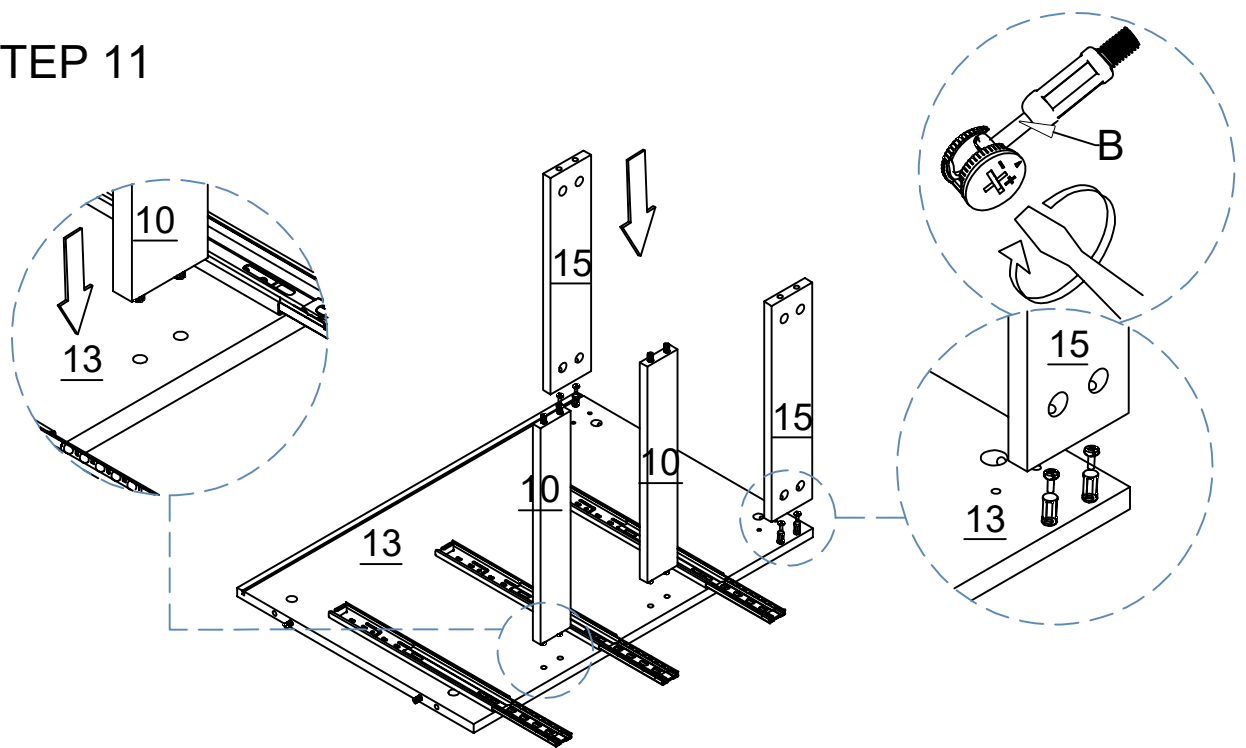
STEP 10



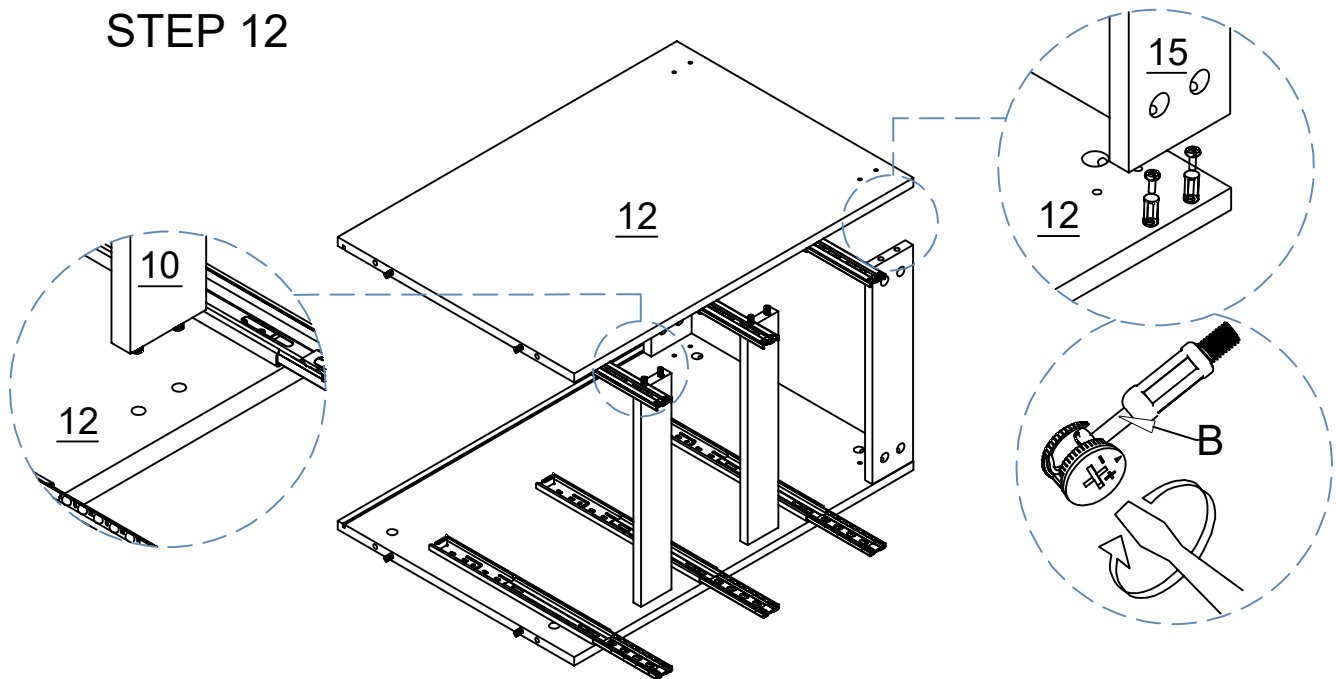
No.A
Quantity:8Pcs
Dowel



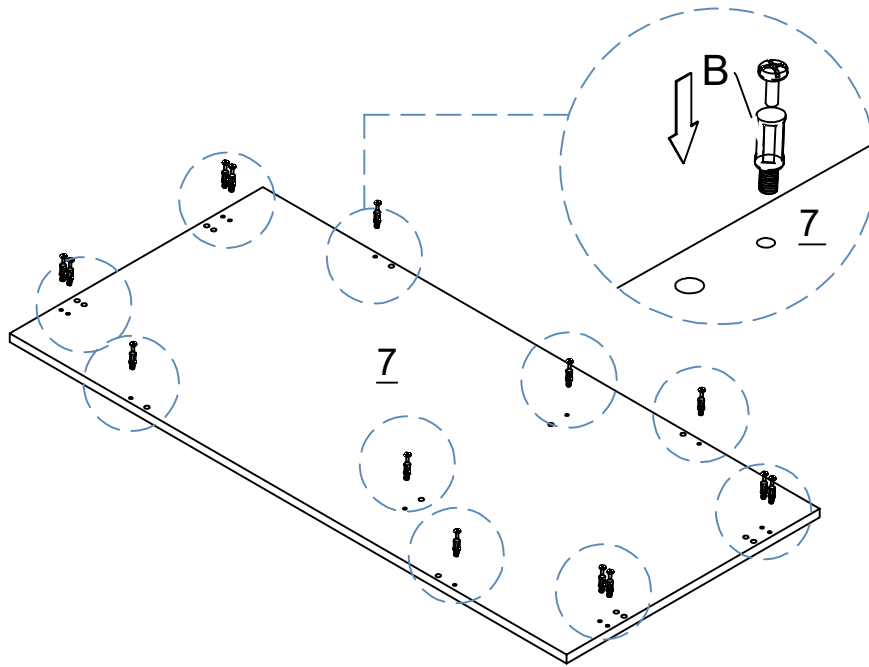
STEP 11



STEP 12



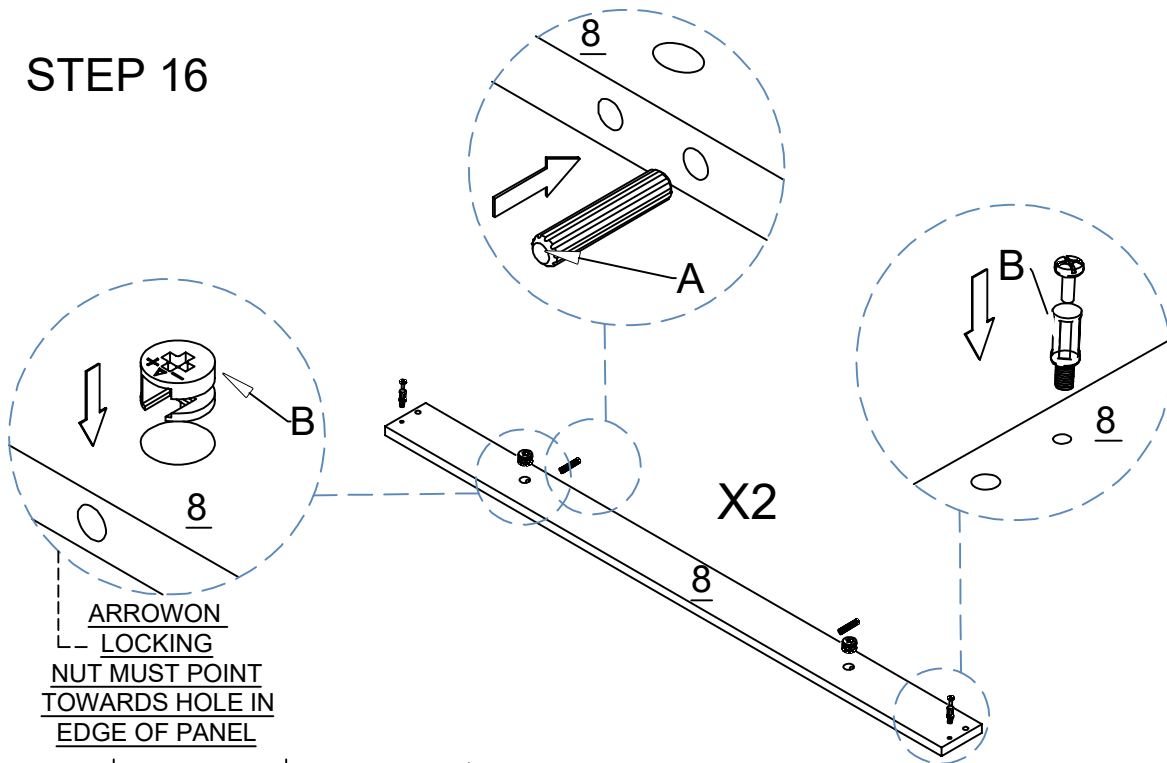
STEP 15



No.B
Quantity:14Pcs
Cam Bolt



STEP 16



ARROW ON
LOCKING
NUT MUST POINT
TOWARDS HOLE IN
EDGE OF PANEL

No.A
Quantity:4Pcs
Dowel



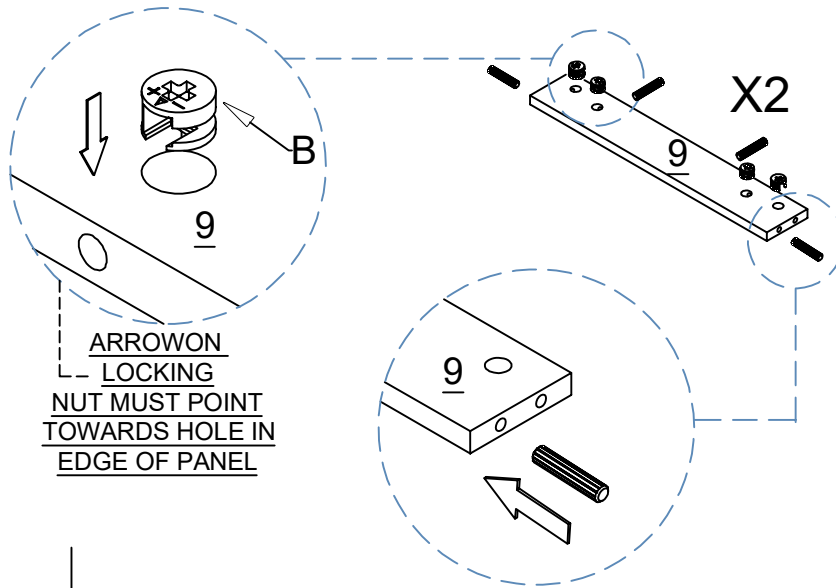
No.B
Quantity:4Pcs
Cam Bolt



No.B
Quantity:4Pcs
Cam Nut



STEP 17



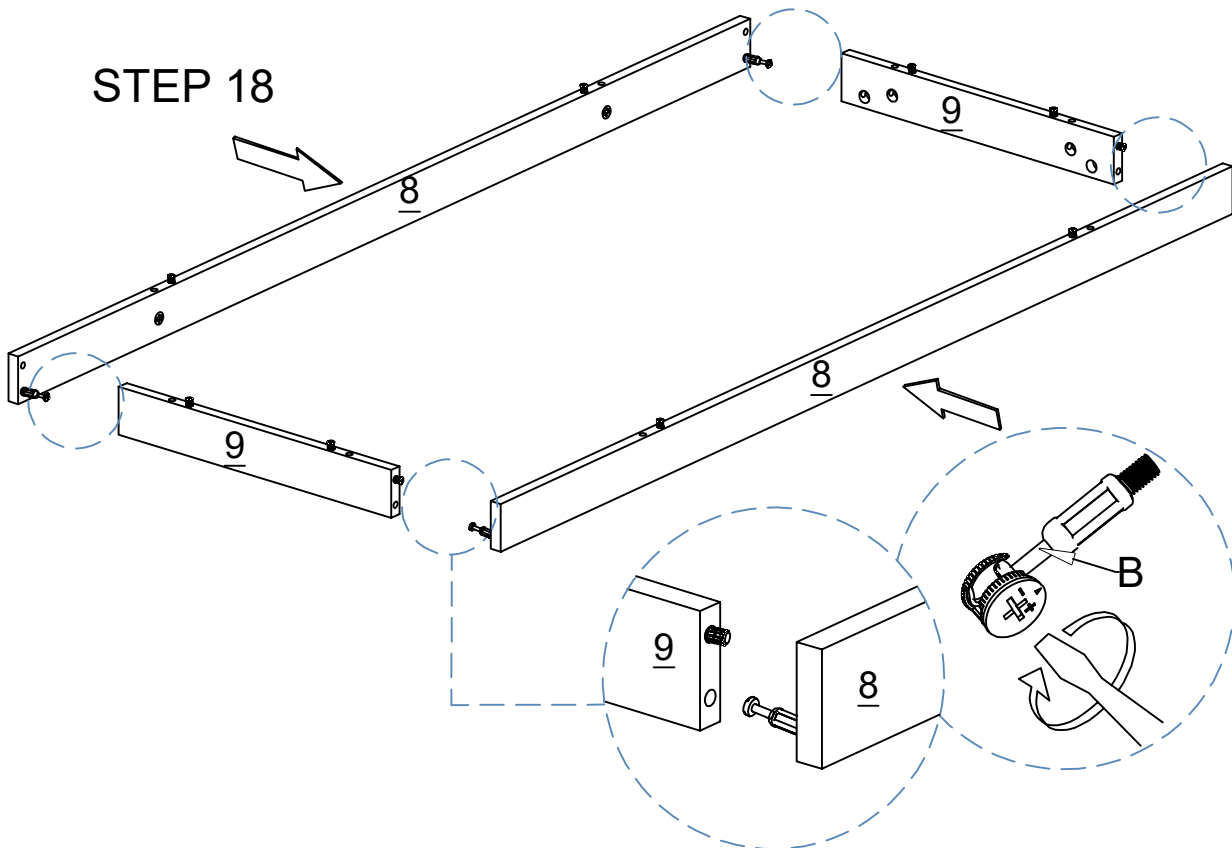
No.A
Quantity:8Pcs
Dowel



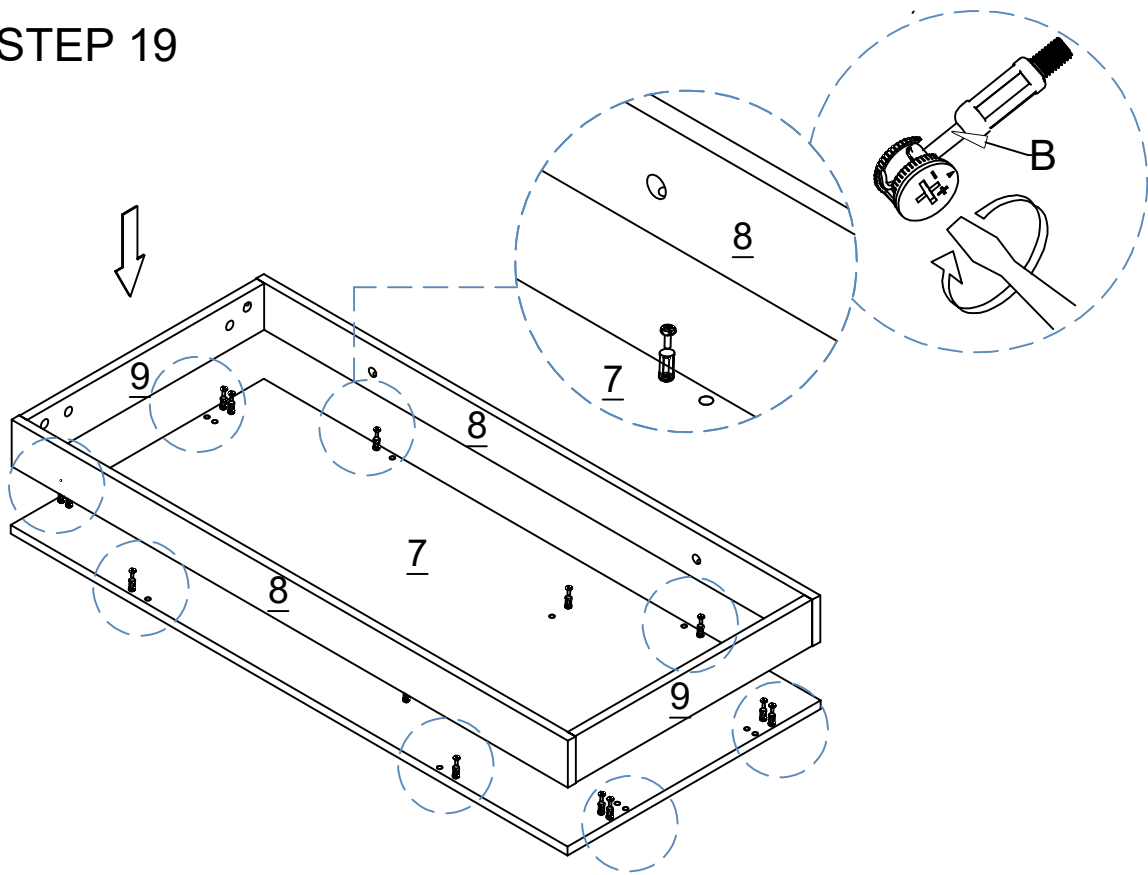
No.B
Quantity:8Pcs
Cam Bolt



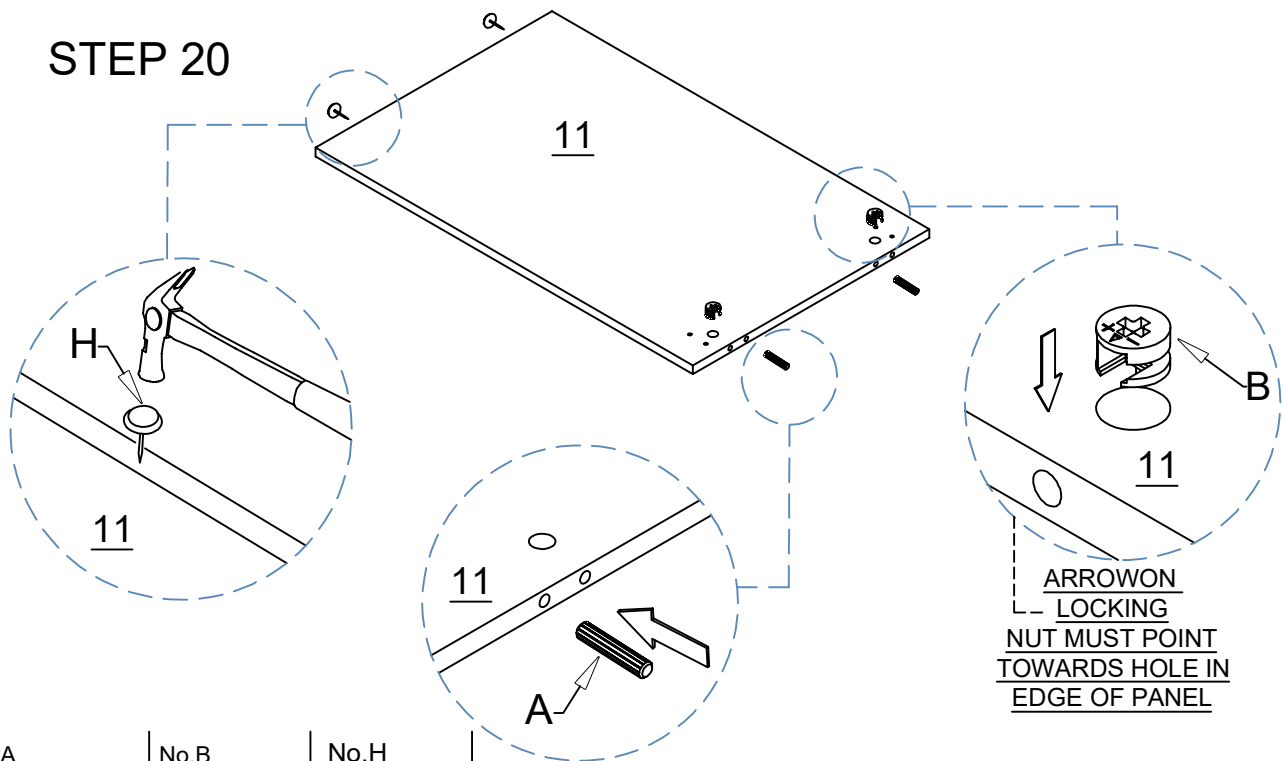
STEP 18



STEP 19



STEP 20



No.A
Quantity:2Pcs
Dowel



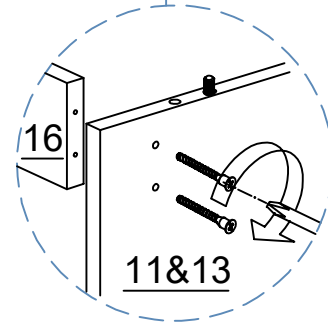
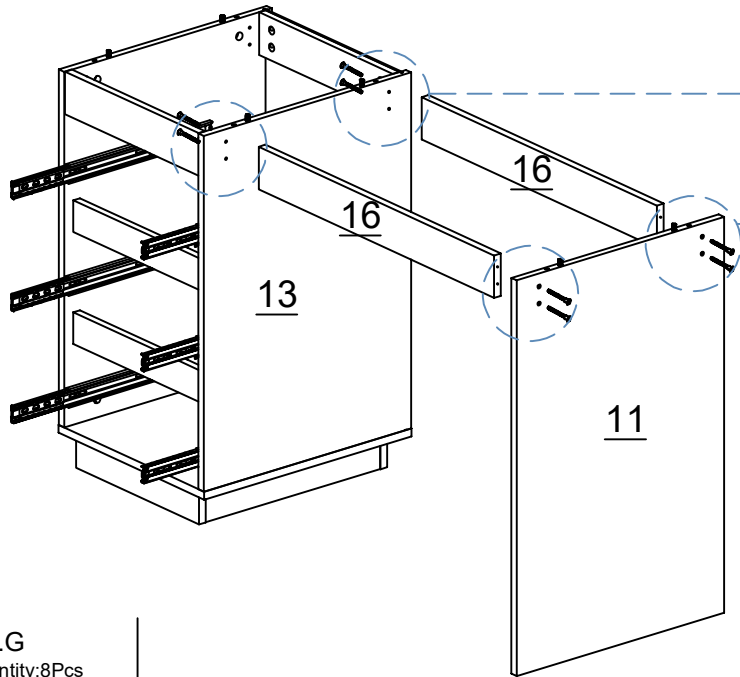
No.B
Quantity:2Pcs
Cam Bolt



No.H
Quantity:2Pcs
Ground Nail



STEP 21

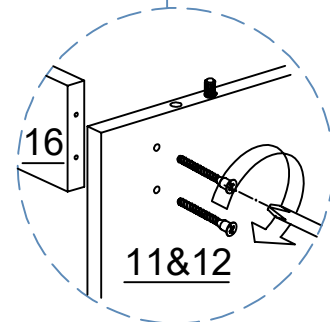
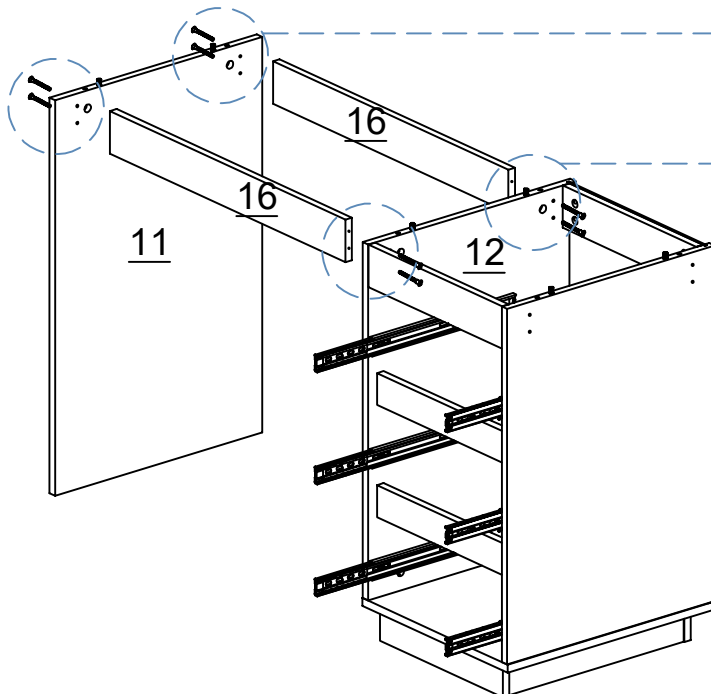


No.G
Quantity:8Pcs
Screw M7*50mm



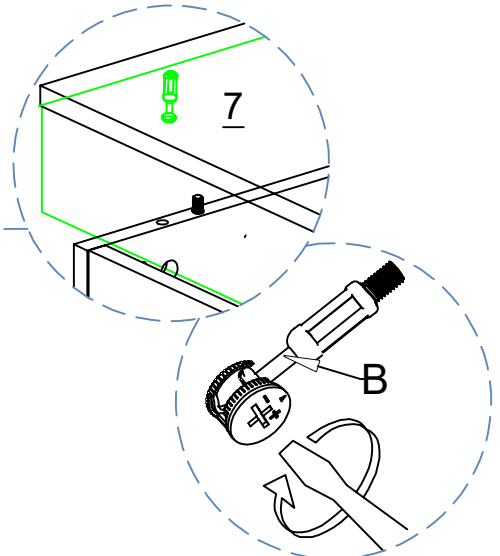
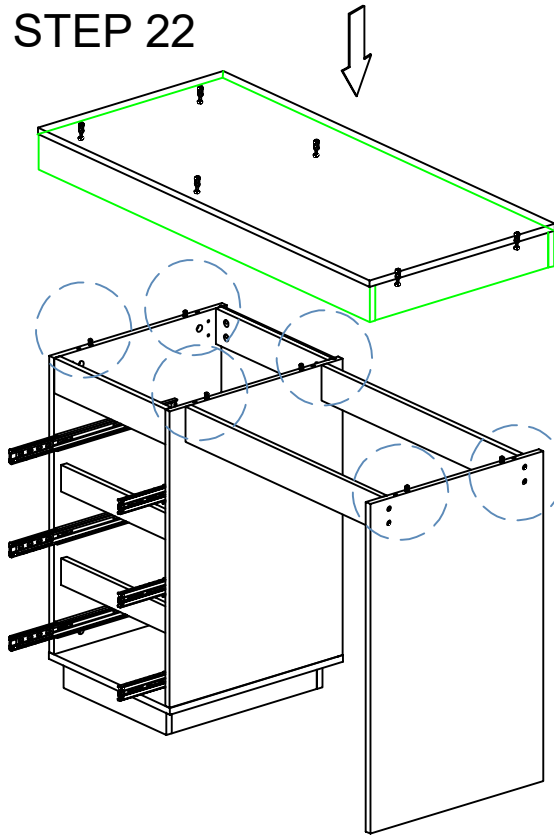
Drawers on the left

OR



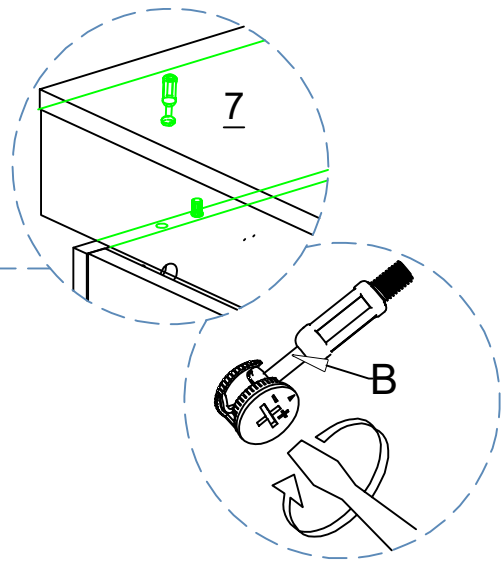
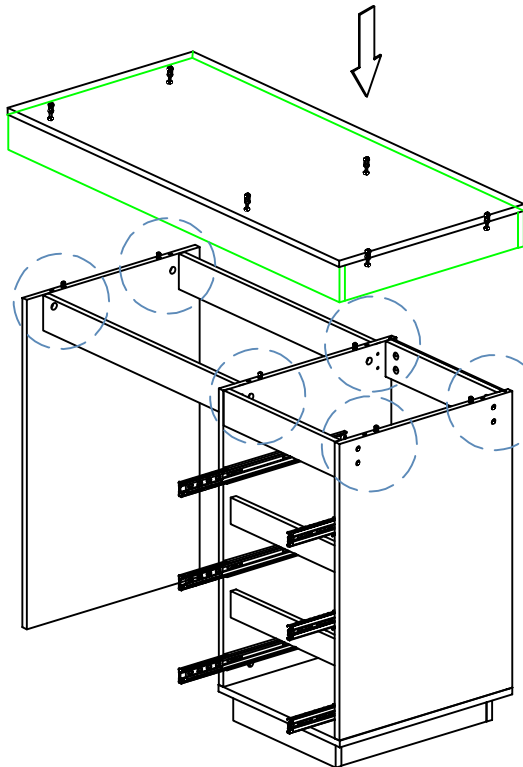
Drawers on the right

STEP 22



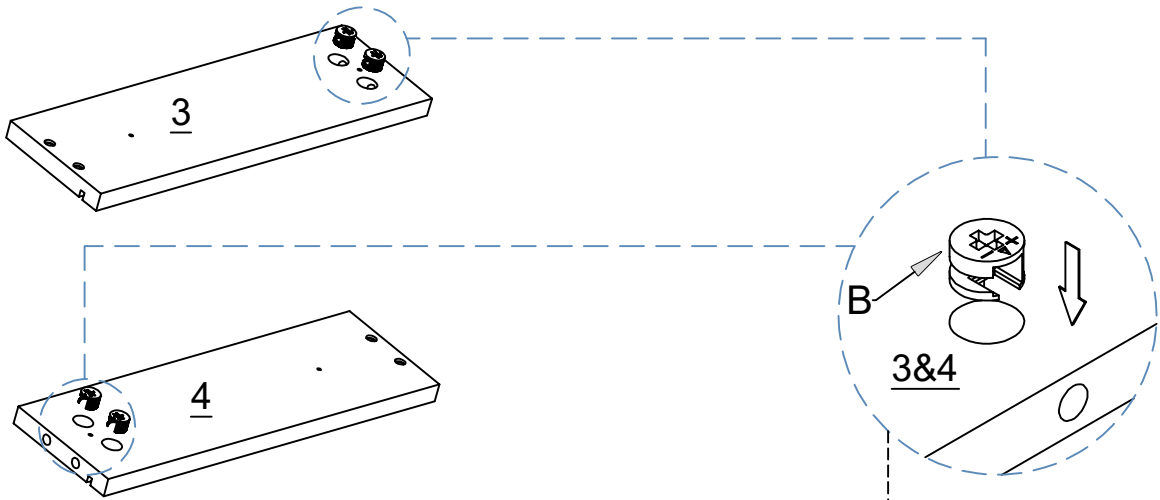
Drawers on the left

OR



Drawers on the right

STEP 23



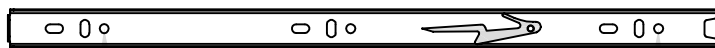
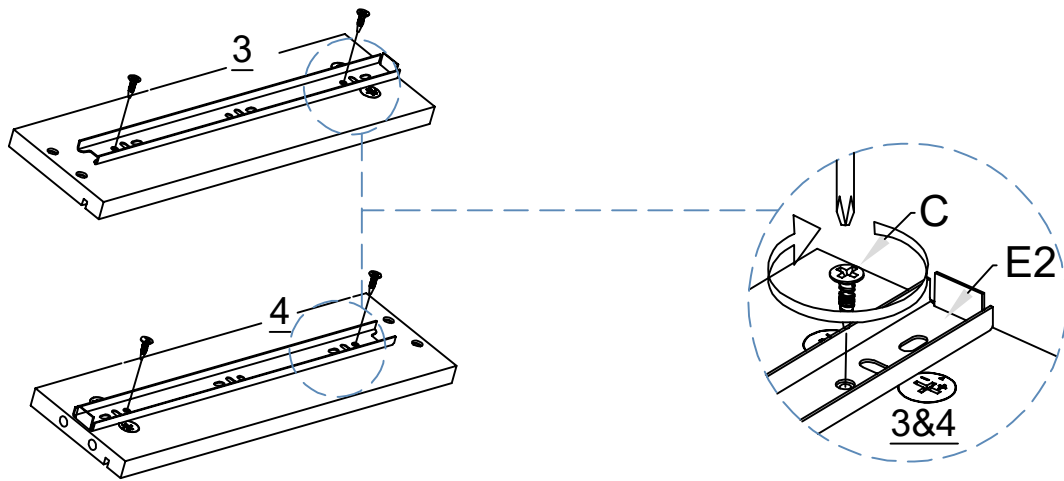
ARROW ON
LOCKING
NUT MUST POINT
TOWARDS HOLE IN
EDGE OF PANEL

DRAWER X3

No.B
Quantity:12Pcs
Cam Nut



STEP 24



Third Hole

Last Hole

DRAWER X3

No.C
Quantity:12Pcs
Screw M3.5*14mm

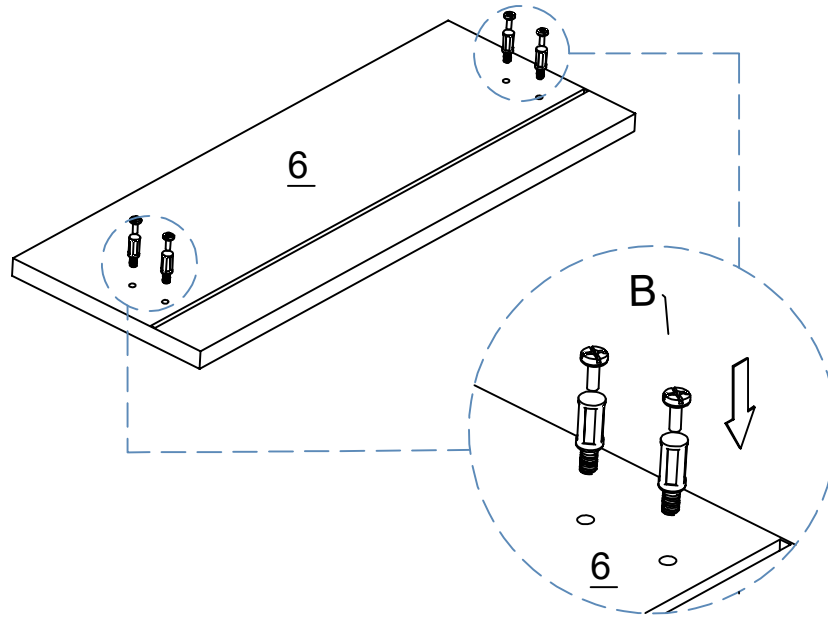


No.E
Quantity:6Pcs
Drawer Runner

E2



STEP 25

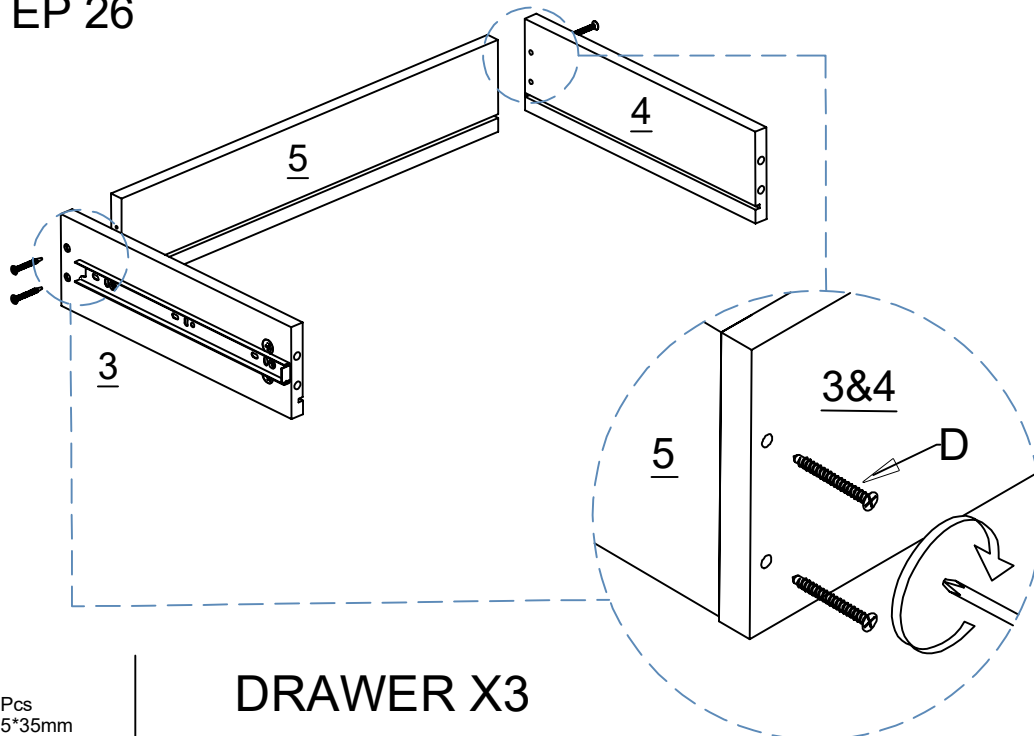


No.B
Quantity:12Pcs
Cam Bolt

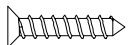


DRAWER X3

STEP 26

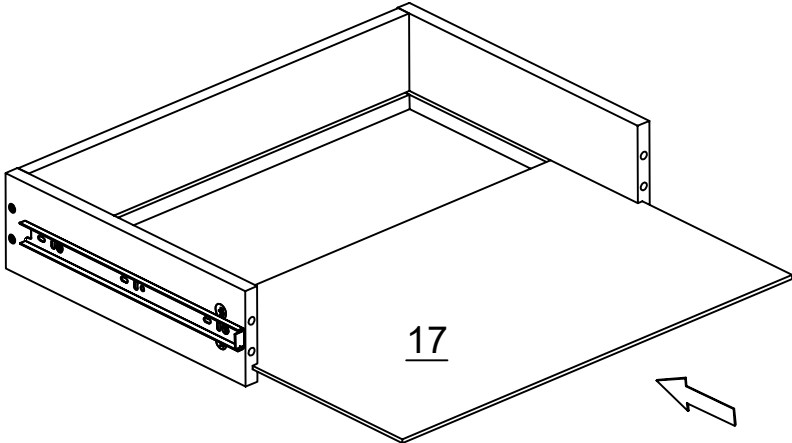


No.D
Quantity:12Pcs
Screw M3.5*35mm



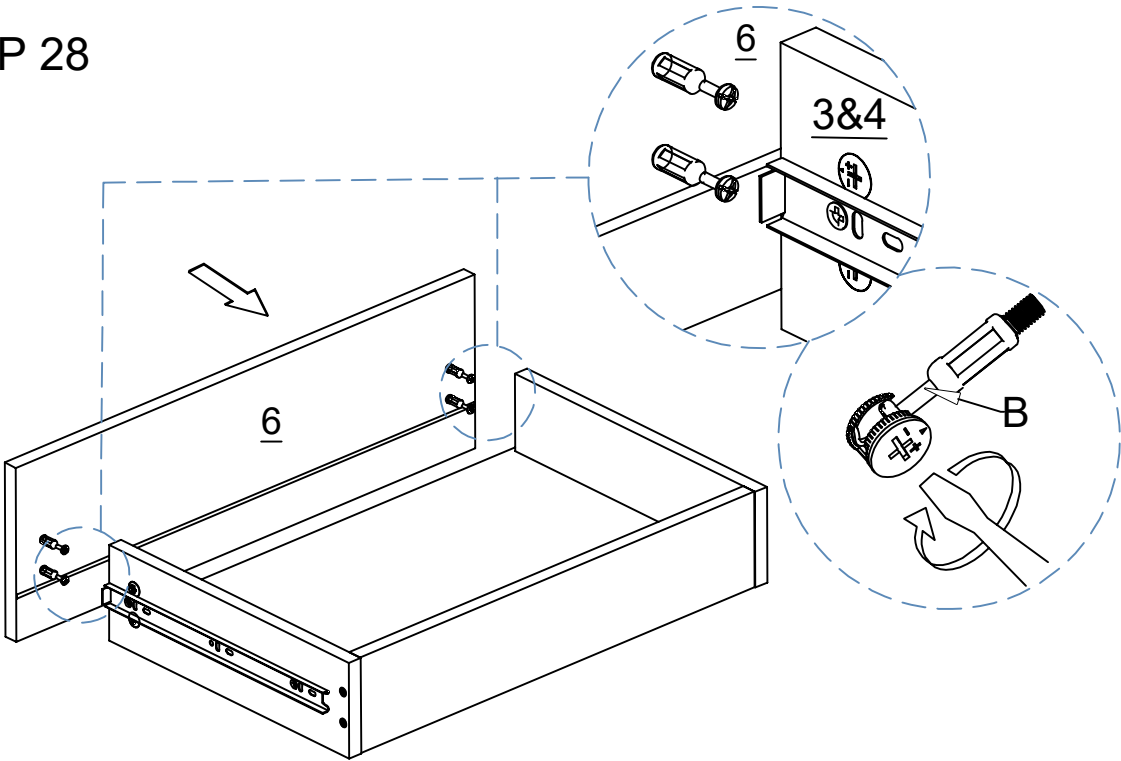
DRAWER X3

STEP 27



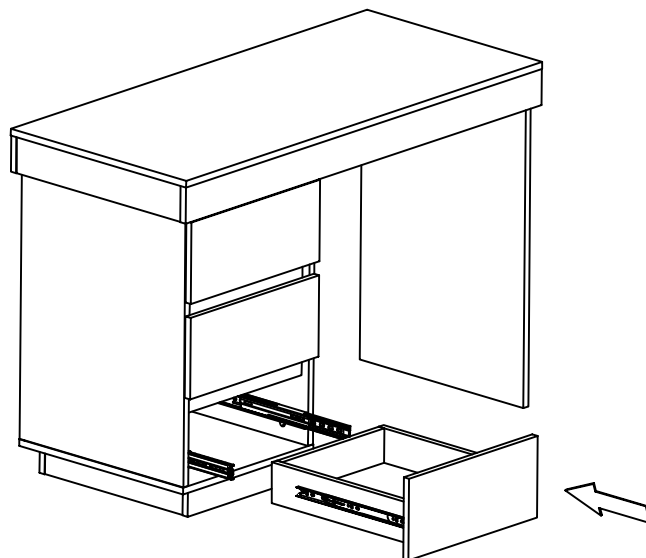
DRAWER X3

STEP 28



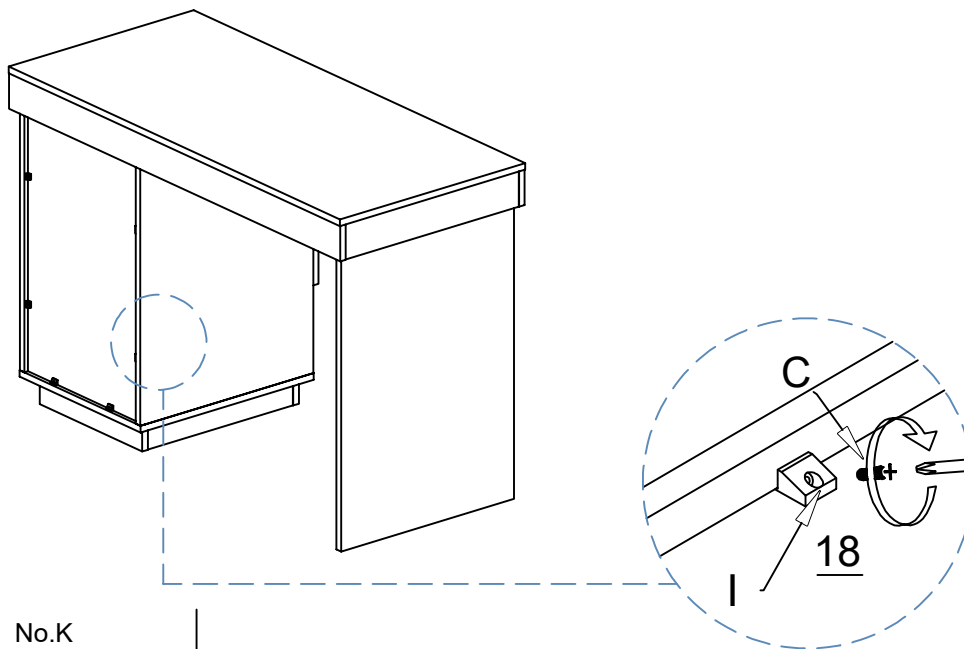
DRAWER X3

STEP 29



DRAWER X3

STEP 30



No.C
Quantity:6Pcs
Screw M3.5*14mm



No.K
Quantity:6Pcs
Back Plate Clamp



lifely.com.au

Great Job, You're done!

Don't forget to share how it looks in
your space and tag us on Instagram.

@lifelyhome#homewithlifely!