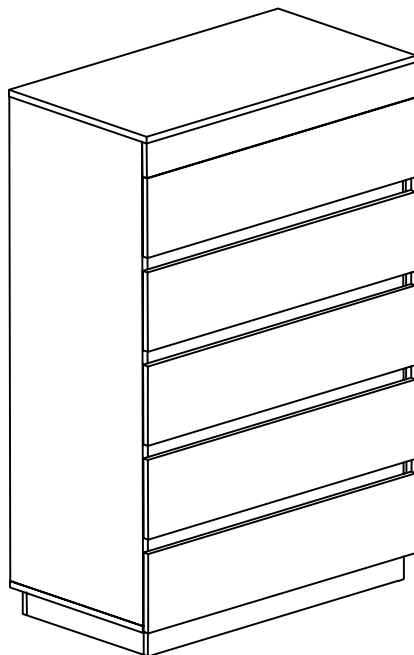


Assemble Instructions

Cuppa Series



Lifely*

Product Code

CPA-TB5030-WOK

Cuppa 5 Drawer Tallboy

Dimensions(W x D x H)

800*400*1090mm

Important

Please read through instructions carefully
Before assembly and keep for future reference.

For our full catalogue of assembly instructions,
Visit:lifely.com.au/assembly.

Important Tips and Maintenance



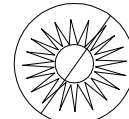
1. Keep children and animals away from working area as smaller parts may cause choking if swallowed



2. Never place liquids or anything damp upon furniture as it will mark. Ensure a coaster or running is beneath.



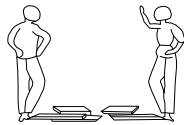
3. New use ammonia based cleaning products as it will damage the finish.



4. To avoid fading, keep furniture out of direct sunlight.



5. Use a soft or damp cloth (dry cloth) when wiping or cleaning surface.



6. Two person are required



7. Lay a soft matt down to protect the furniture pieces before and during assembly.

So your relationship is strong. But is it flat-pack furniture strong? Unless you're an aerospace engineer, assembling furniture can be slightly stressful. We recommend meditating quietly, pouring yourself a herbal tea (or slightly less herbal wine) and tackling things one step at a time. If you feel a passive aggressive remark coming on, try a compliment instead. E.g. "You're so good looking".

This 29-Step assembly should take around 60 minutes with an Allen Key-or 40 minutes with an electric drill.
Godspeed.

Designed for everyday

Components Hardware

Please check you have all the fittings
part or tools are listed in below.

No.A

Quantity:36Pcs
Dowel 8*40mm



No.B

Quantity:53Pcs
Cam Bolt



No.B

Quantity:53Pcs
Cam Nut



No.C

Quantity:50Pcs
Screw M3.5*14mm



No.D

Quantity:22Pcs
Screw M3.5*35mm



No.E

Quantity:10Pcs
Drawer Runner



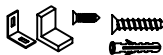
No.H

Quantity:8Pcs
Ground Nail



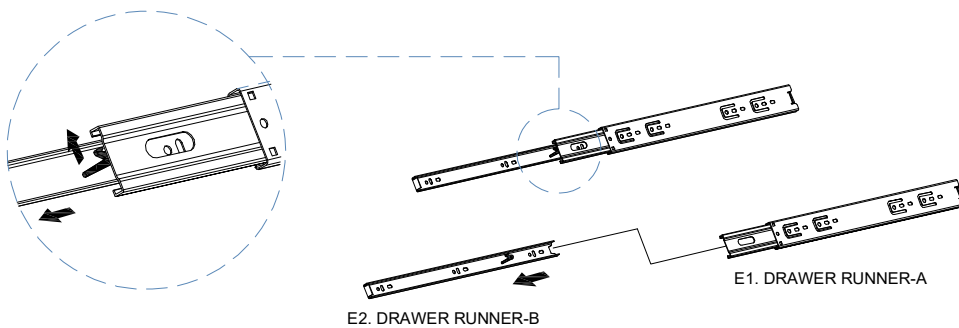
No.I

Quantity:2Pcs
Anti Collapse



No.J

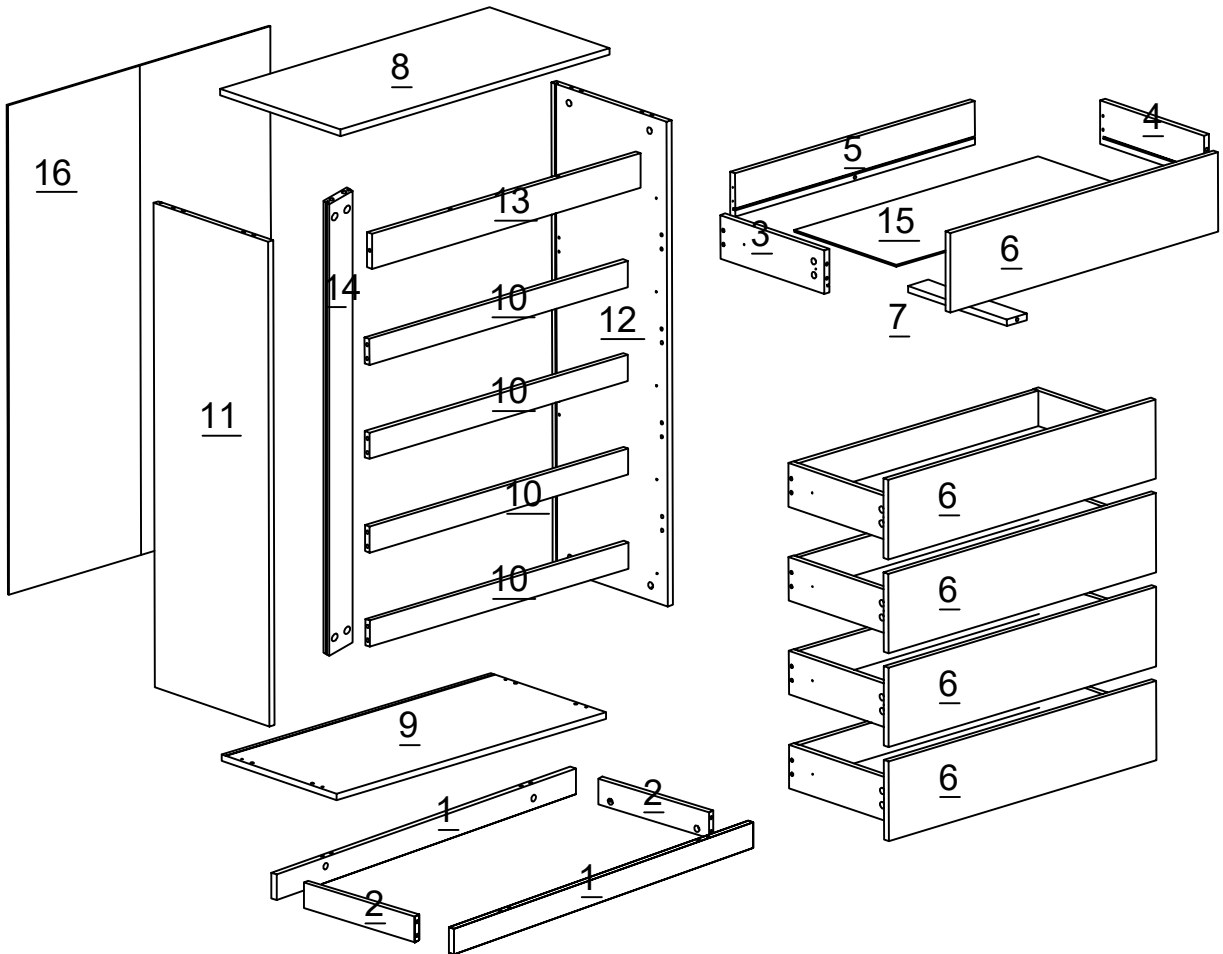
Quantity:8Pcs
Back Plate Clamp



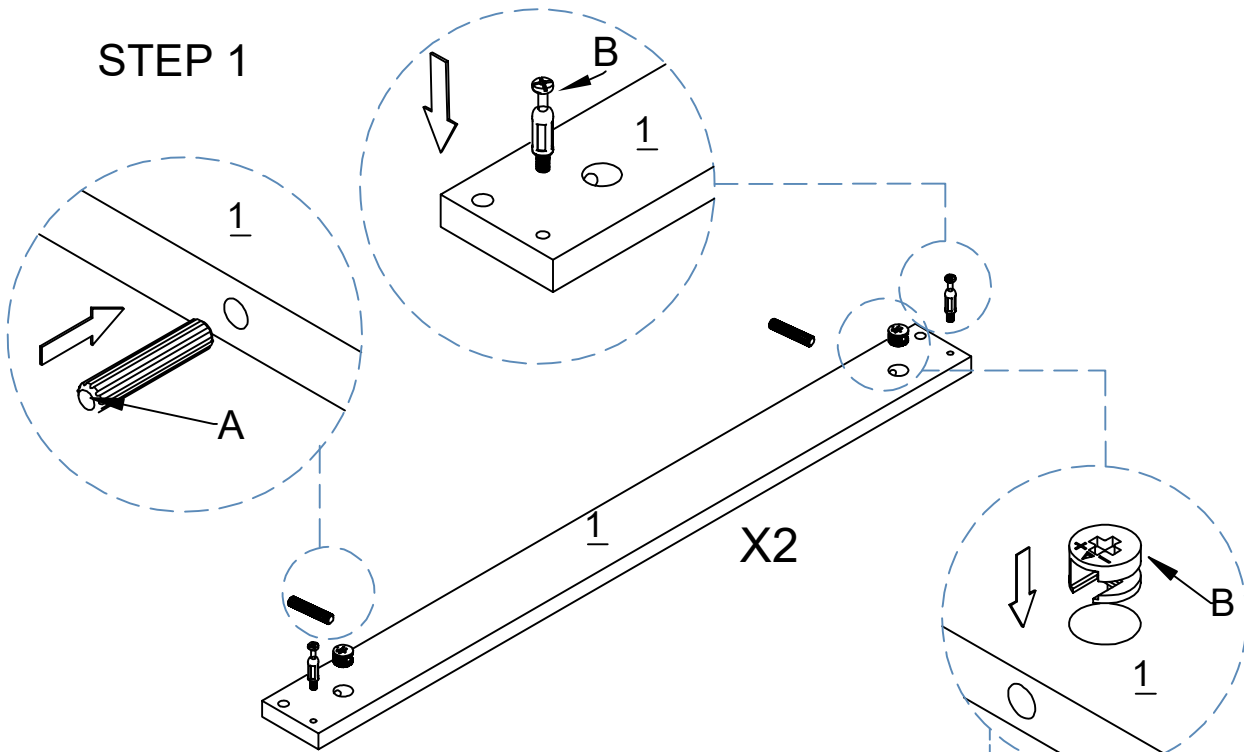
Components Panels & Part List

Please check you have all the panels
are listed below.

1. Base -----x2	CTN 2/2	9. Bottom panel -----x1	CTN 1/2
2. Base side -----x2	CTN 1/2	10. Front panel -----x4	CTN 1/2
3. Drawer side_l -----x5	CTN 2/2	11. Side panel_l -----x1	CTN 1/2
4. Drawer side_r -----x5	CTN 2/2	12. Side panel_r -----x1	CTN 1/2
5. Drawer back -----x5	CTN 2/2	13. Skirt panel -----x1	CTN 2/2
6. Drawer front -----x5	CTN 2/2	14. Brace panel -----x1	CTN 1/2
7. Base support -----x5	CTN 2/2	15. Drawer base -----x5	CTN 2/2
8. Top panel -----x1	CTN 1/2	16. Back panel -----x2	CTN 1/2



STEP 1



No.A
Quantity:4Pcs
Dowel



No.B
Quantity:4Pcs
Cam Bolt

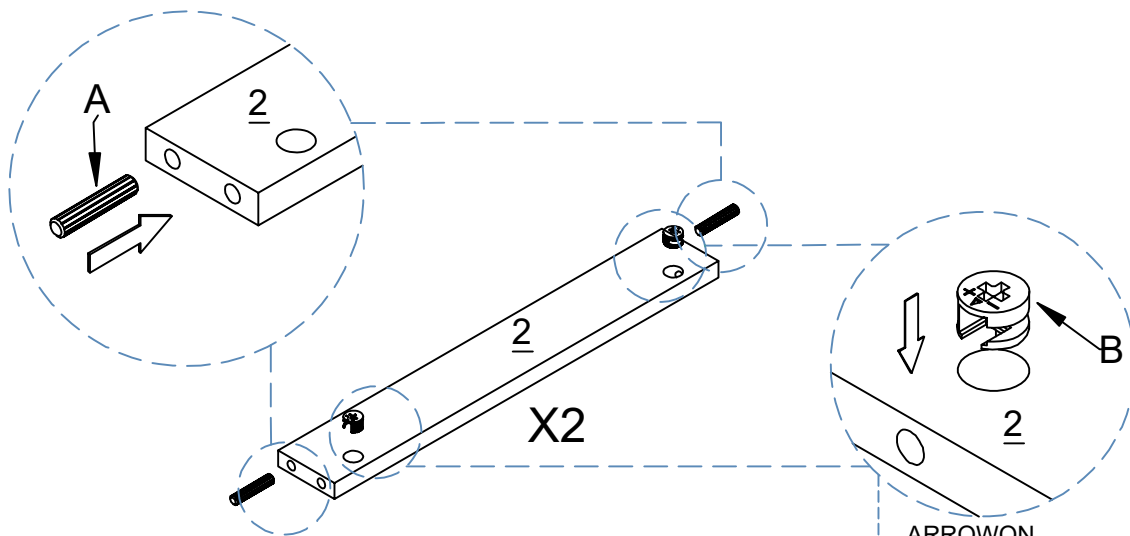


No.B
Quantity:4Pcs
Cam Nut



ARROW ON
LOCKING
NUT MUST POINT
TOWARDS HOLE IN
EDGE OF PANEL

STEP 2



No.A
Quantity:4Pcs
Dowel

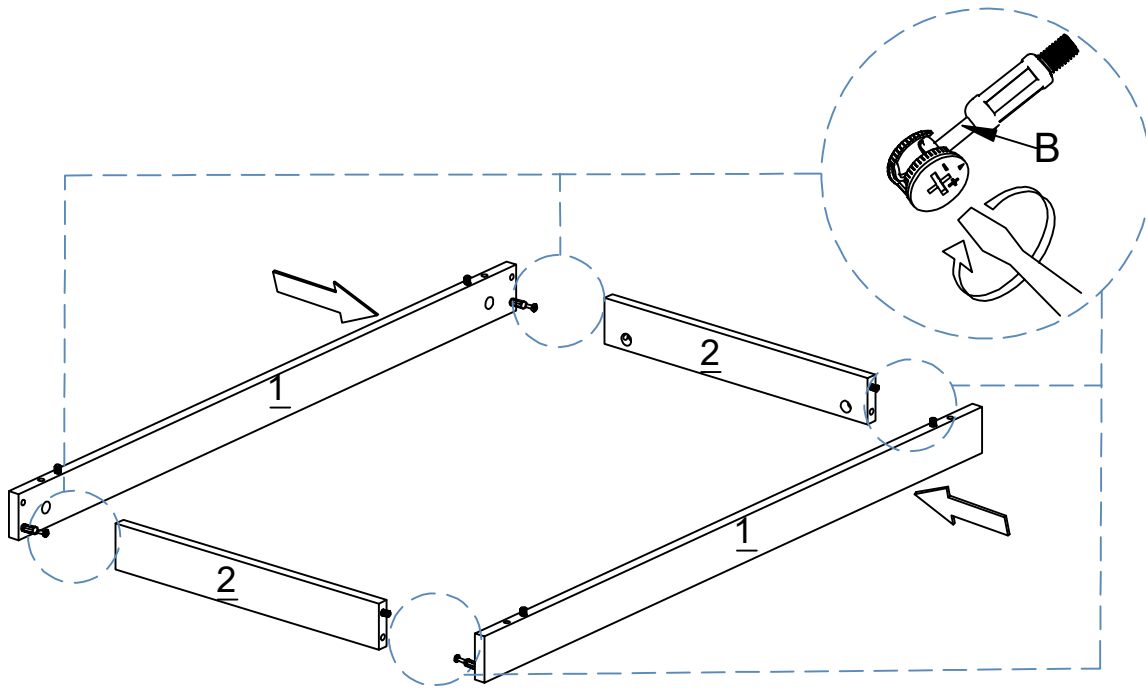


No.B
Quantity:4Pcs
Cam Nut

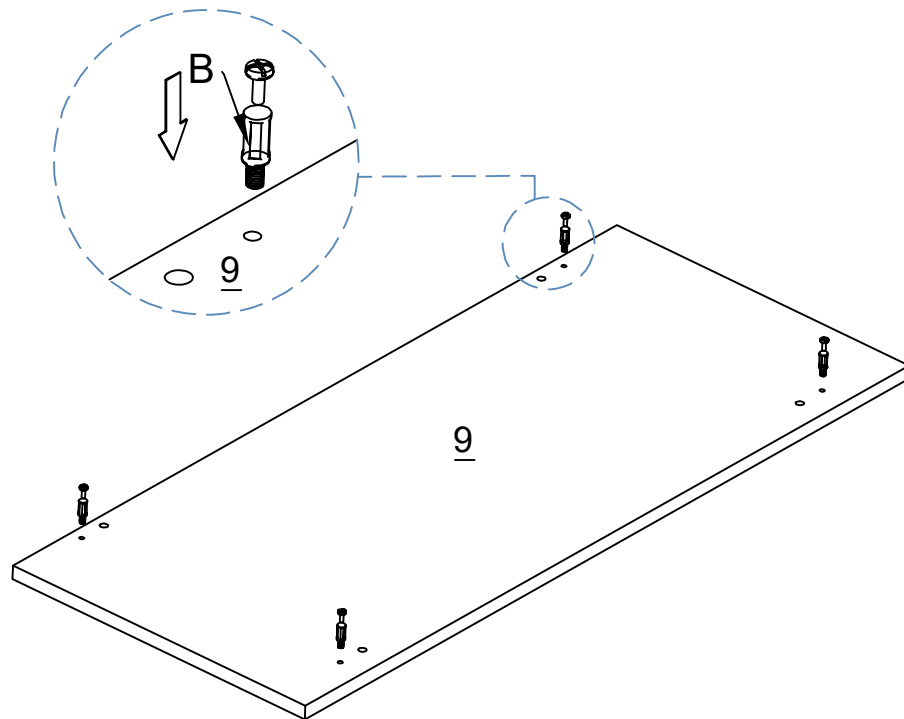


ARROW ON
LOCKING
NUT MUST POINT
TOWARDS HOLE IN
EDGE OF PANEL

STEP 3



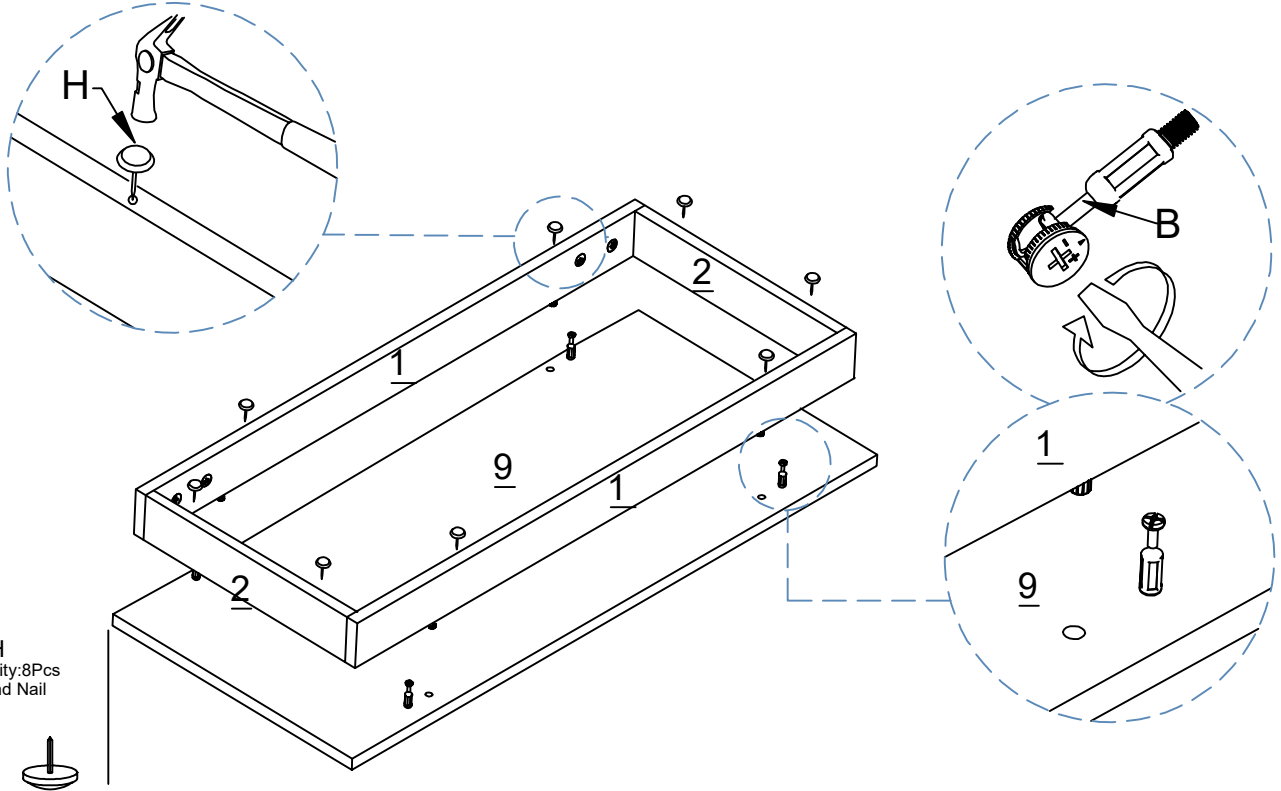
STEP 4



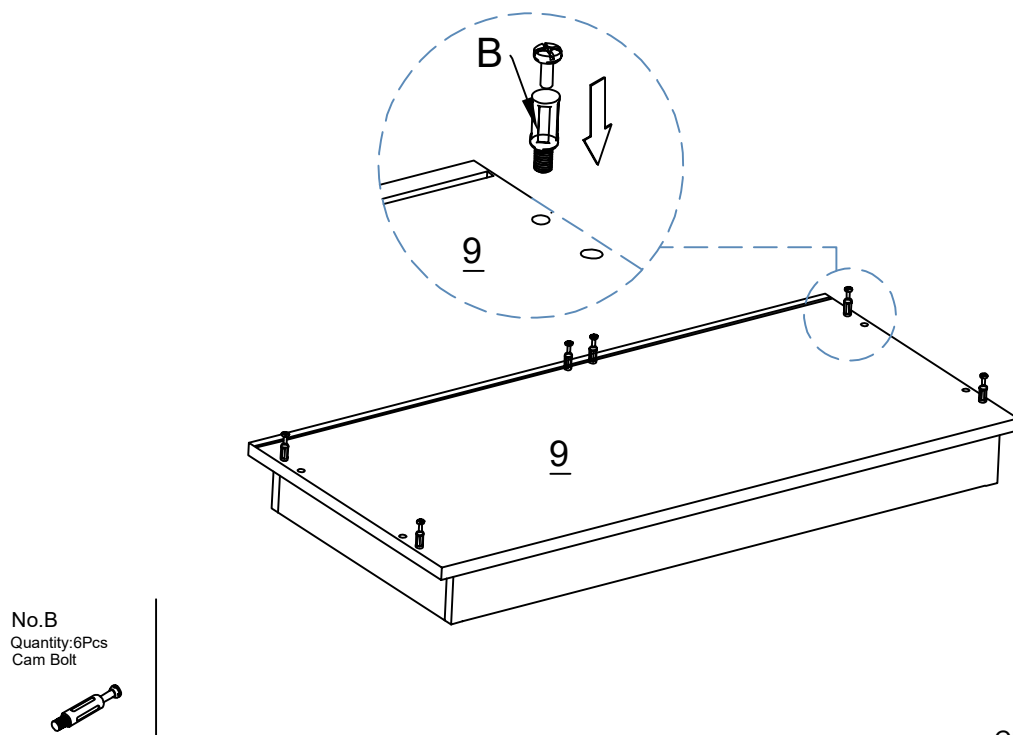
No.B
Quantity:4Pcs
Cam Bolt



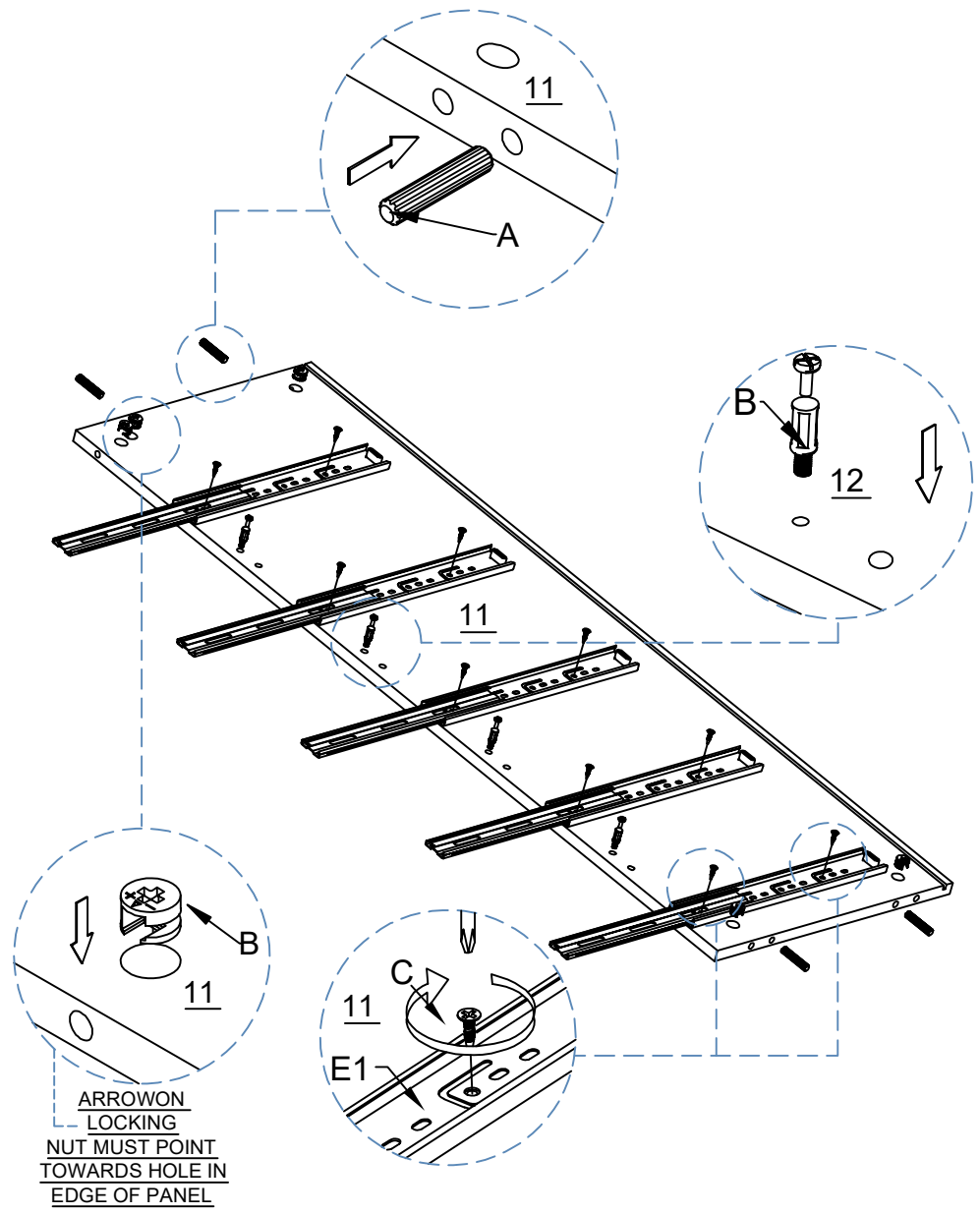
STEP 5



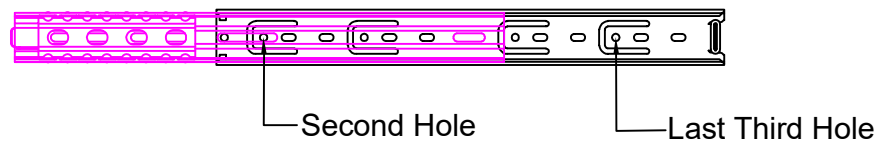
STEP 6






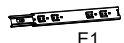

STEP 7



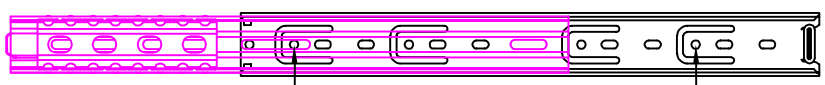
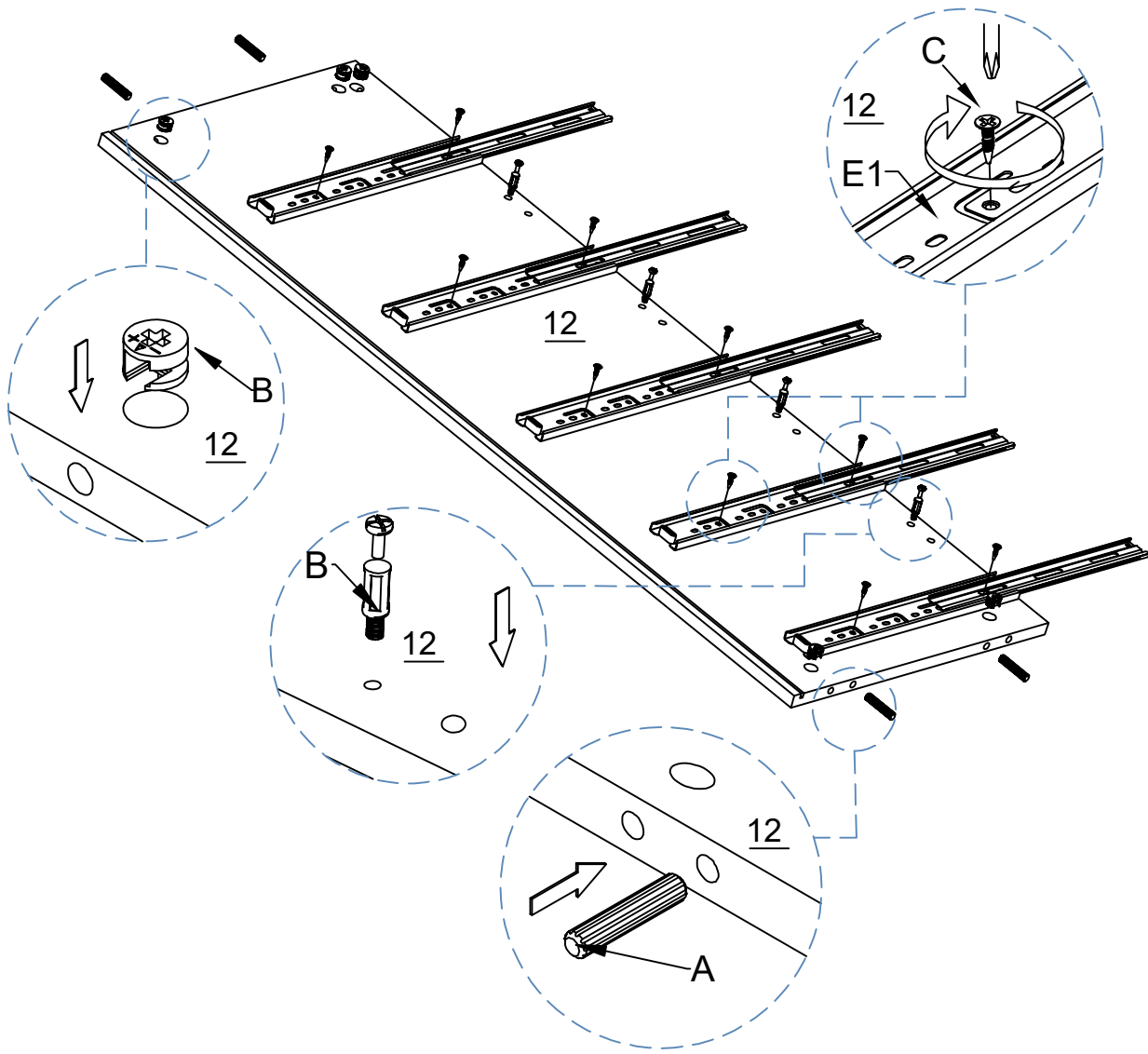
ARROW ON
LOCKING
NUT MUST POINT
TOWARDS HOLE IN
EDGE OF PANEL



SCREW MUST BE INSERTED
IN THE SECOND HOLE ON THE
DRAWER RUNNER

- | | | | | |
|---|---|--|---|--|
| <p>No.A
Quantity:4Pcs
Dowel</p>  | <p>No.B
Quantity:5Pcs
Cam Nut</p>  | <p>No.C
Quantity:10Pcs
Screw M3.5*14mm</p>  | <p>No.E
Quantity:5Pcs
Drawer Runner</p>  <p>E1</p> | <p>No.B
Quantity:4Pcs
Cam Bolt</p>  |
|---|---|--|---|--|

STEP 8



Second Hole

Last Third Hole

**SCREW MUST BE INSERTED
IN THE SECOND HOLE ON THE
DRAWER RUNNER**

No.A
Quantity:4Pcs
Dowel



No.B
Quantity:5Pcs
Cam Nut



No.C
Quantity:10Pcs
Screw M3.5*14mm



No.E
Quantity:5Pcs
Drawer Runner

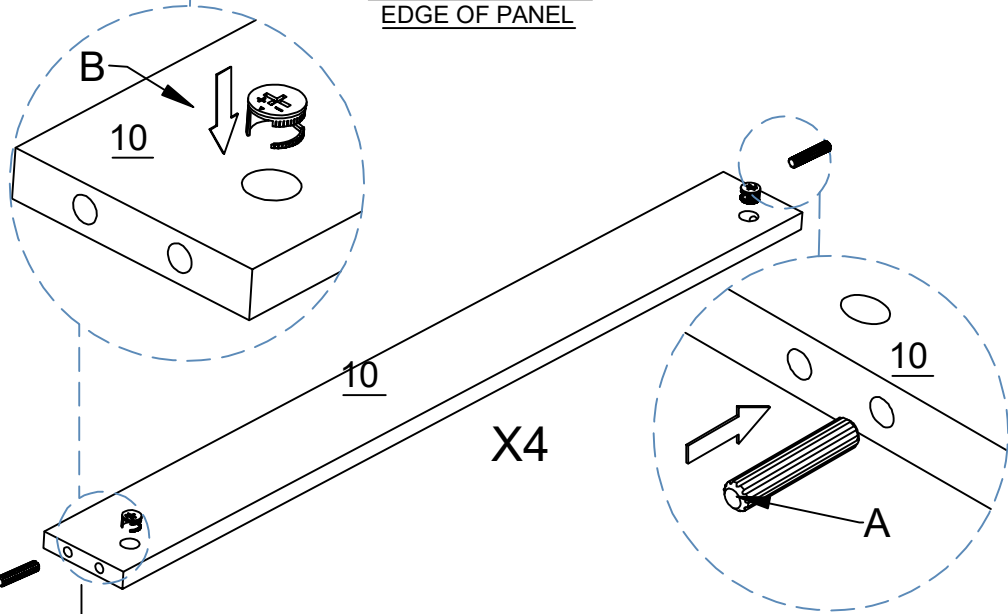


No.B
Quantity:4Pcs
Cam Bolt



STEP 9

ARROW ON
LOCKING
NUT MUST POINT
TOWARDS HOLE IN
EDGE OF PANEL



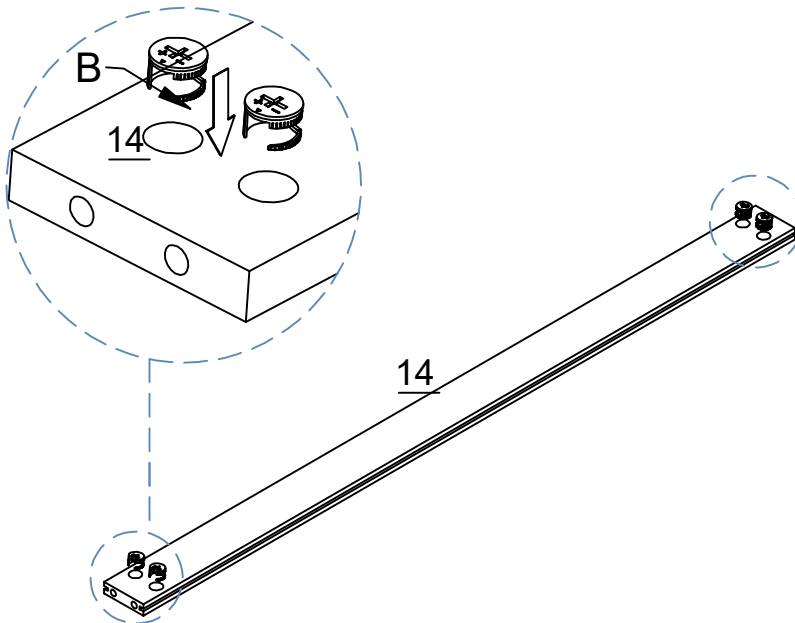
No.A
Quantity:8Pcs
Dowel



No.B
Quantity:8Pcs
Cam Nut



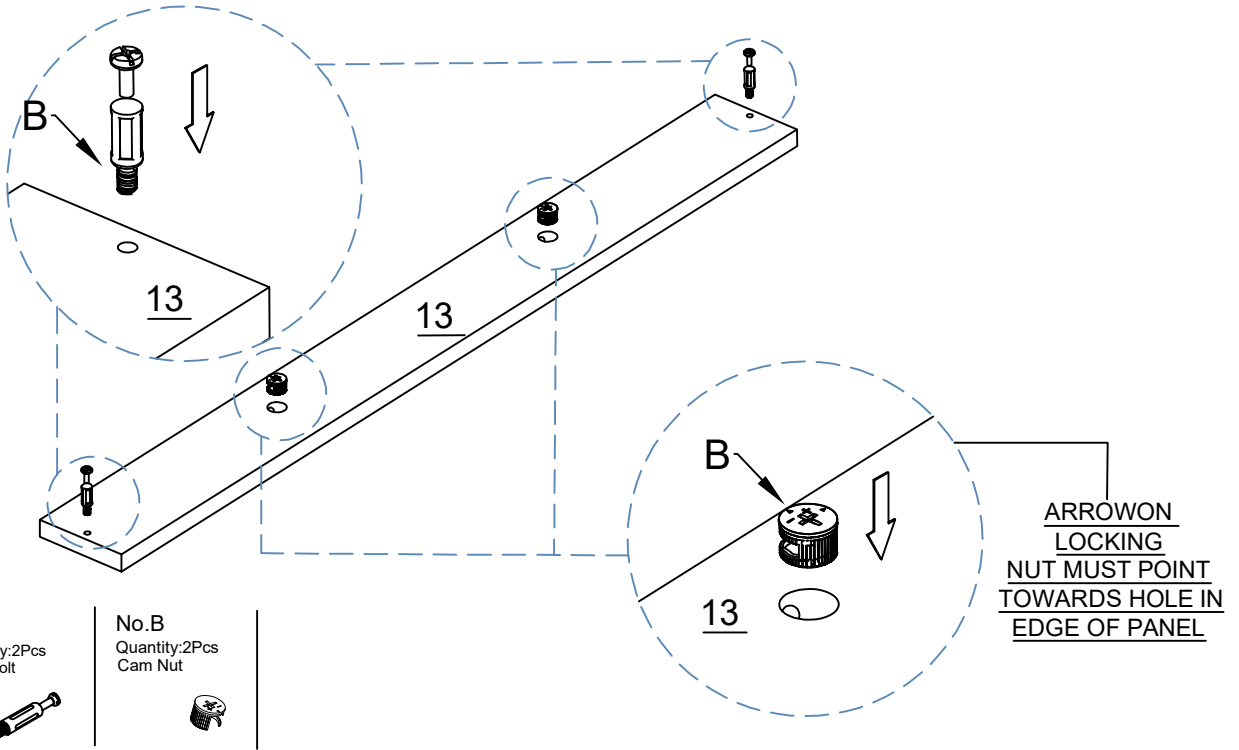
STEP 10



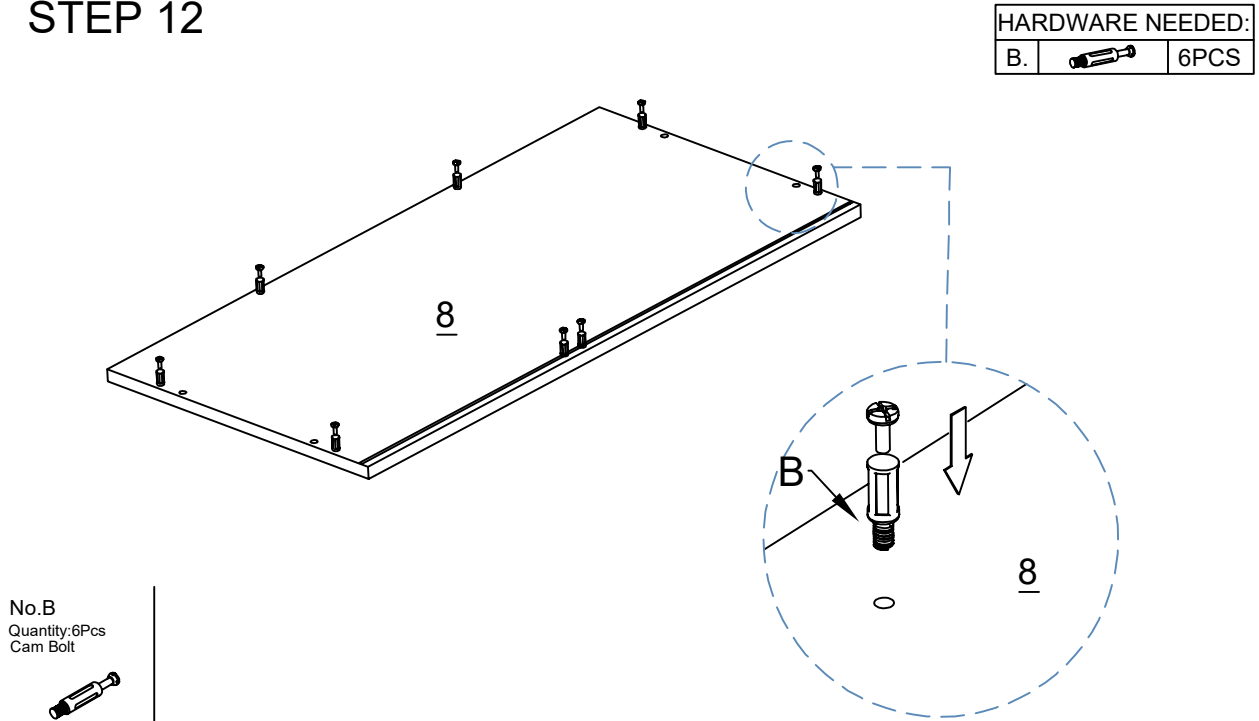
No.B
Quantity:4Pcs
Cam Nut



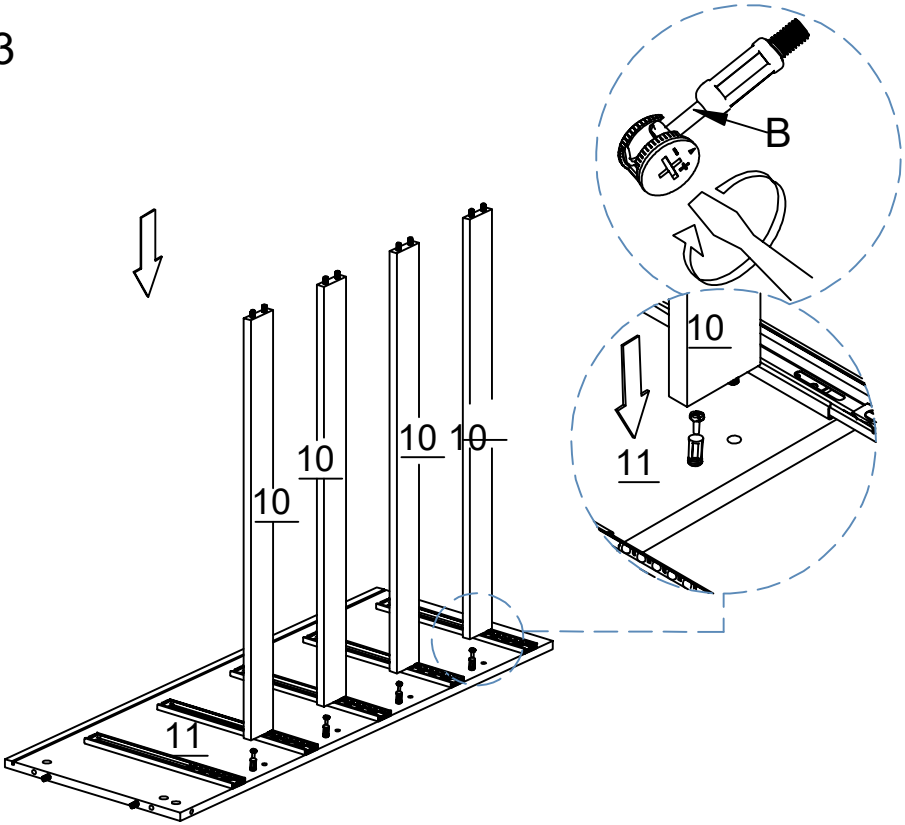
STEP 11



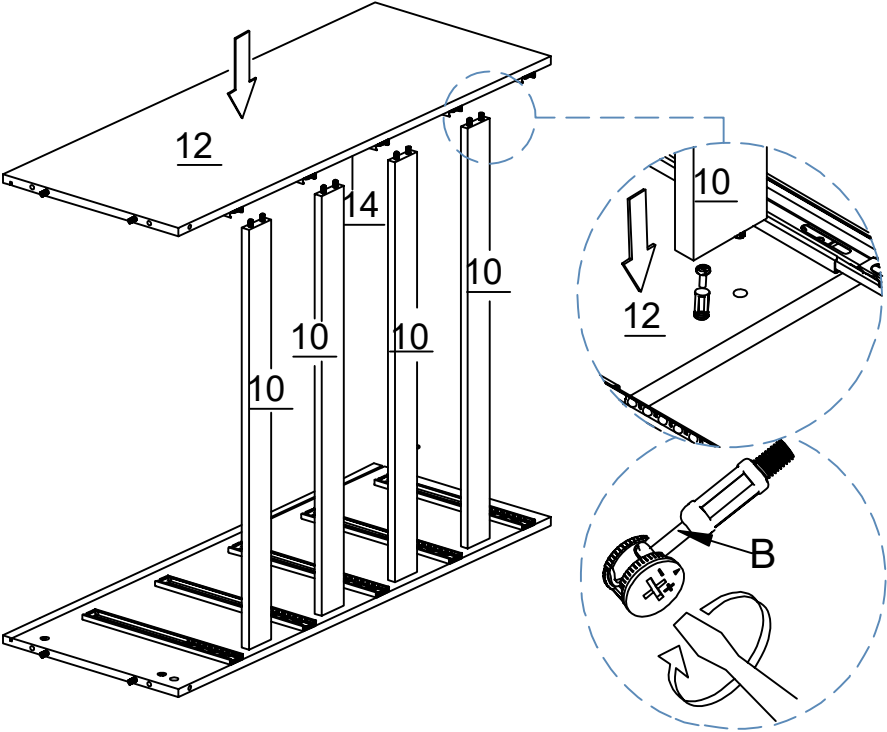
STEP 12



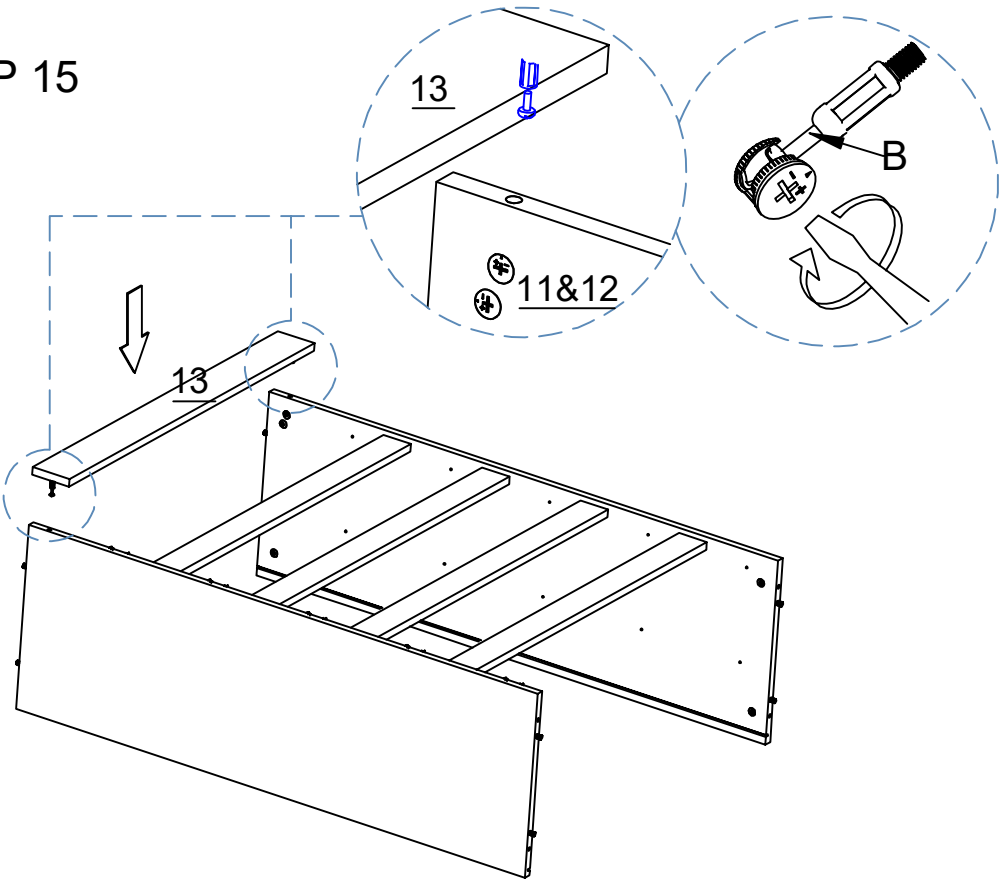
STEP 13



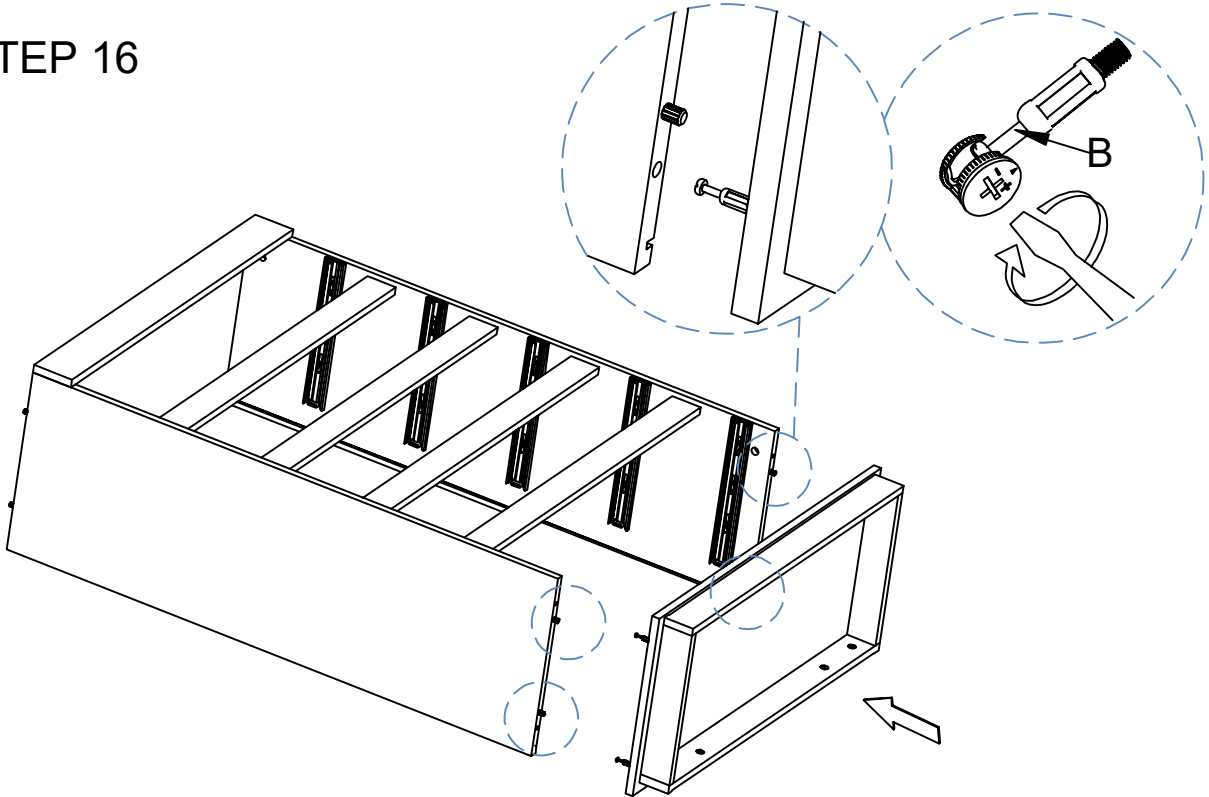
STEP 14



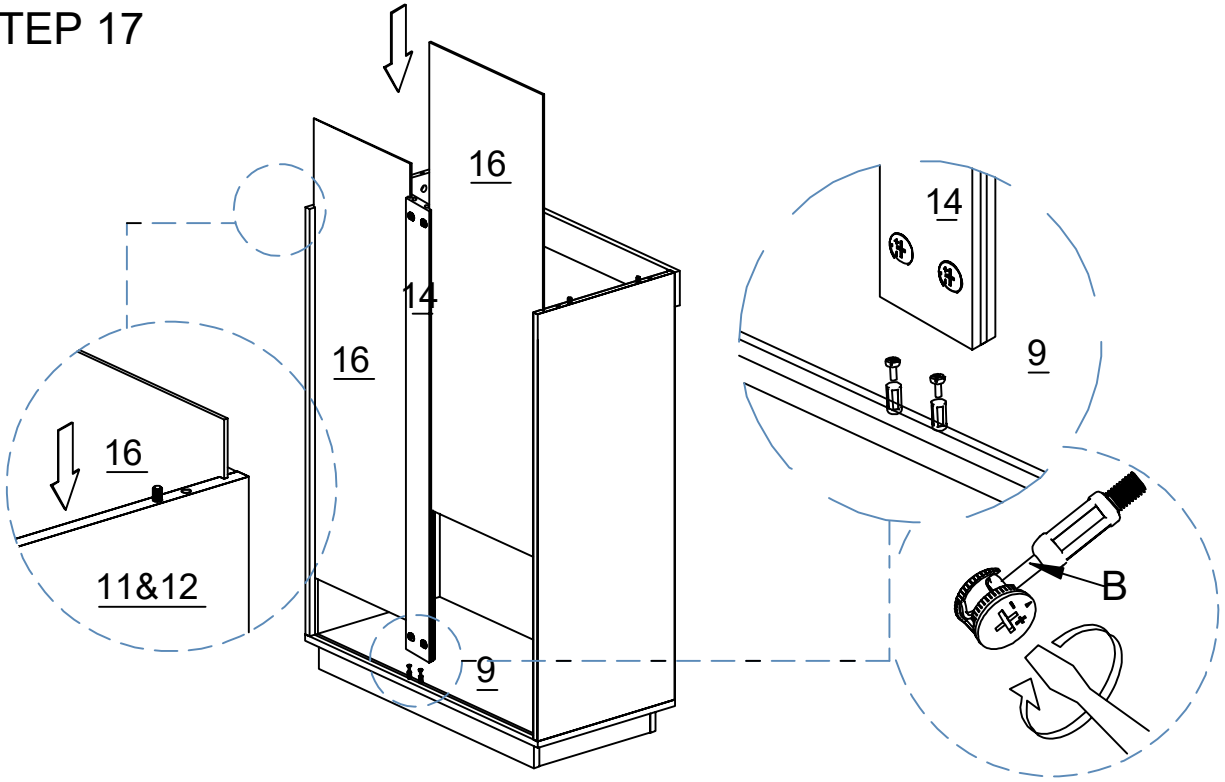
STEP 15



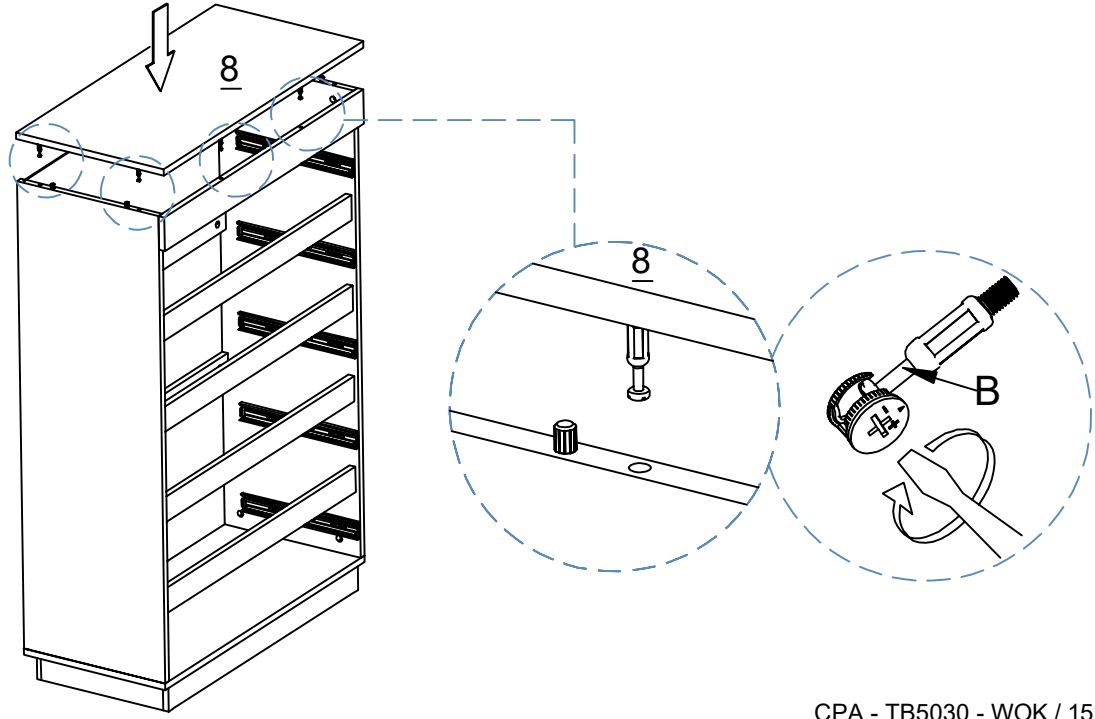
STEP 16



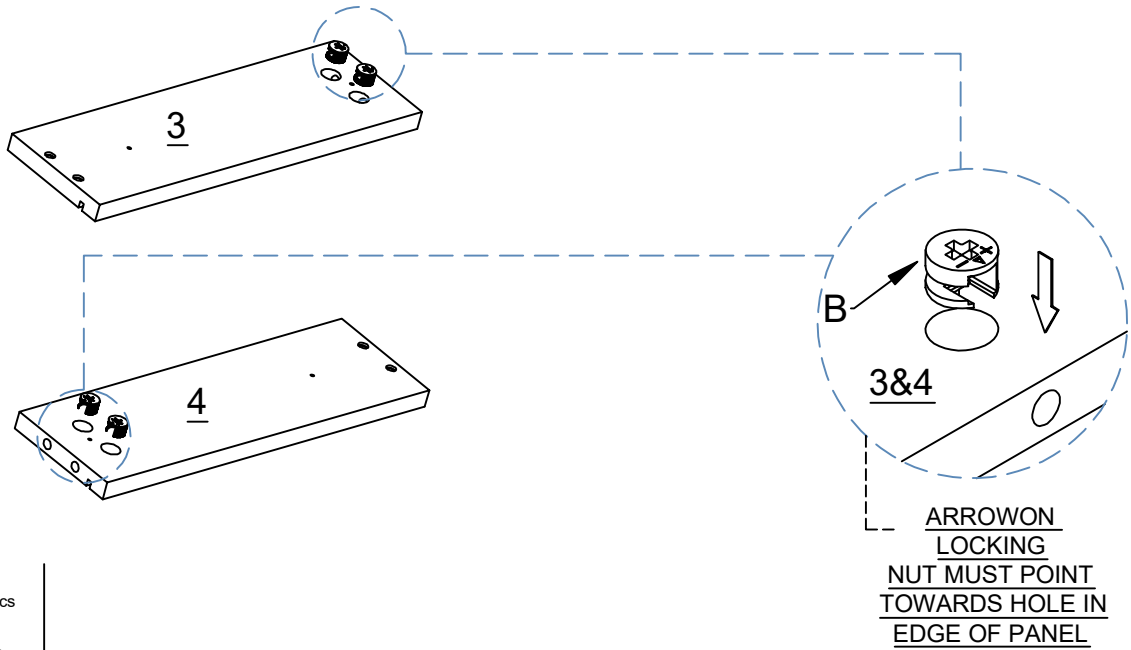
STEP 17



STEP 18



STEP 19

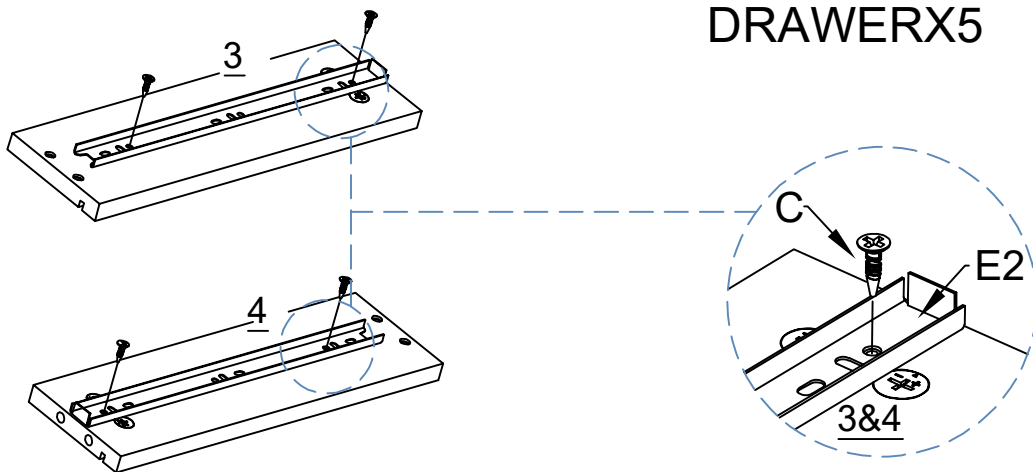


No.B
Quantity:20Pcs
Cam Nut



DRAWERX5

STEP 20



DRAWERX5

No.C
Quantity:20Pcs
Screw M3.5*14mm

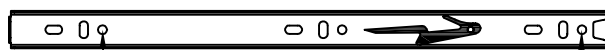


No.E
Quantity:10Pcs
Drawer Runner

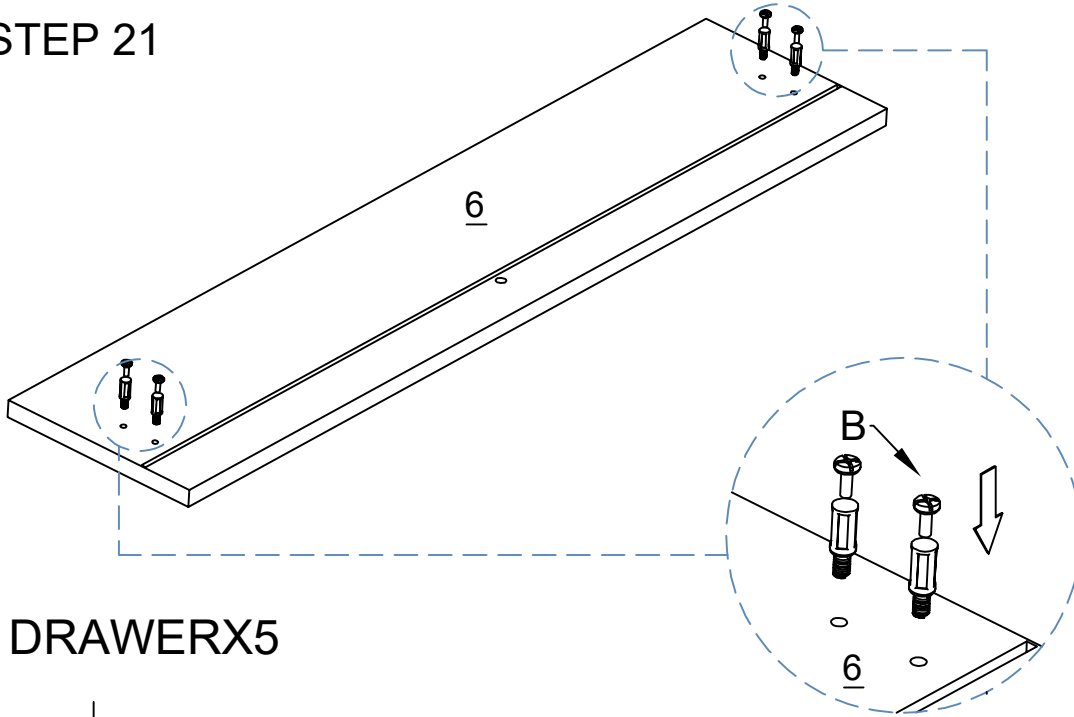
E2

Third Hole

Last Hole



STEP 21

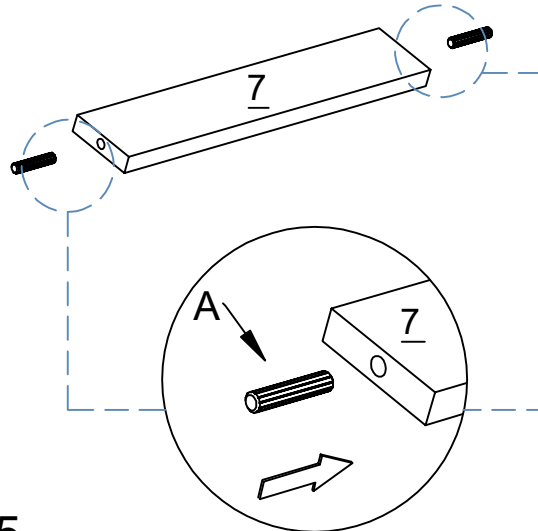


DRAWERX5

No.B
Quantity:20Pcs
Cam Bolt



STEP 22



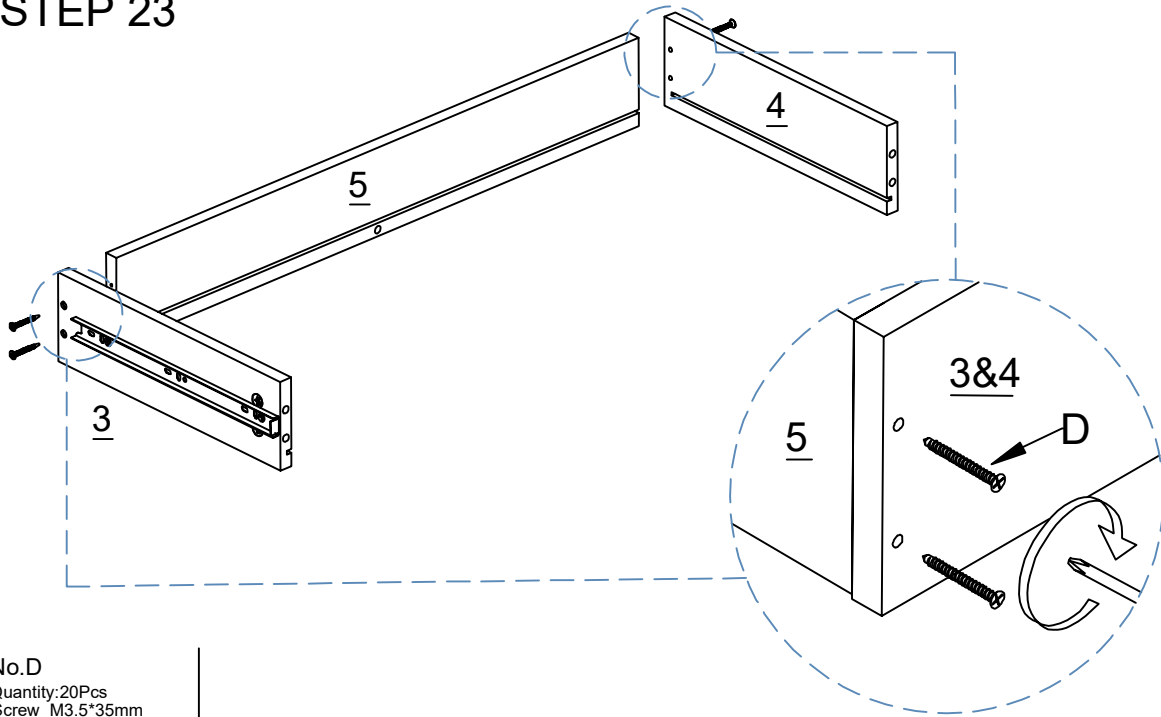
DRAWERX5

No.A
Quantity:10Pcs
Dowel

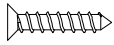


STEP 23

DRAWERX5

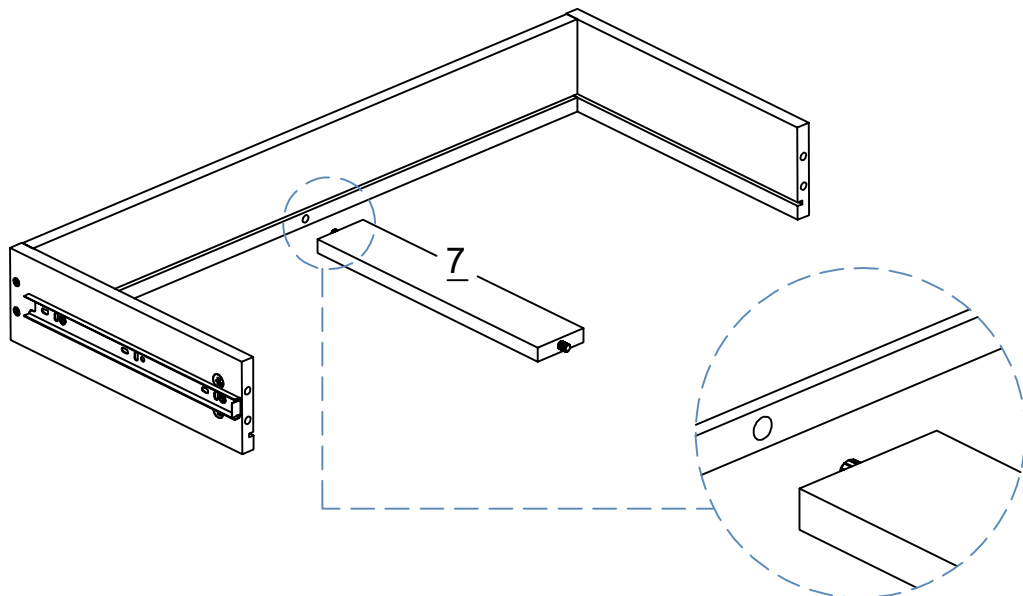


No.D
Quantity:20Pcs
Screw M3.5*35mm

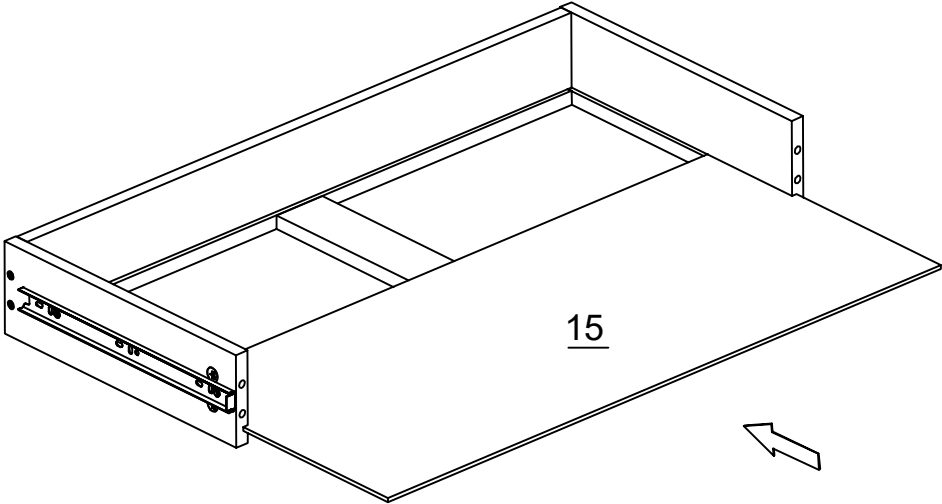


STEP 24

DRAWERX5

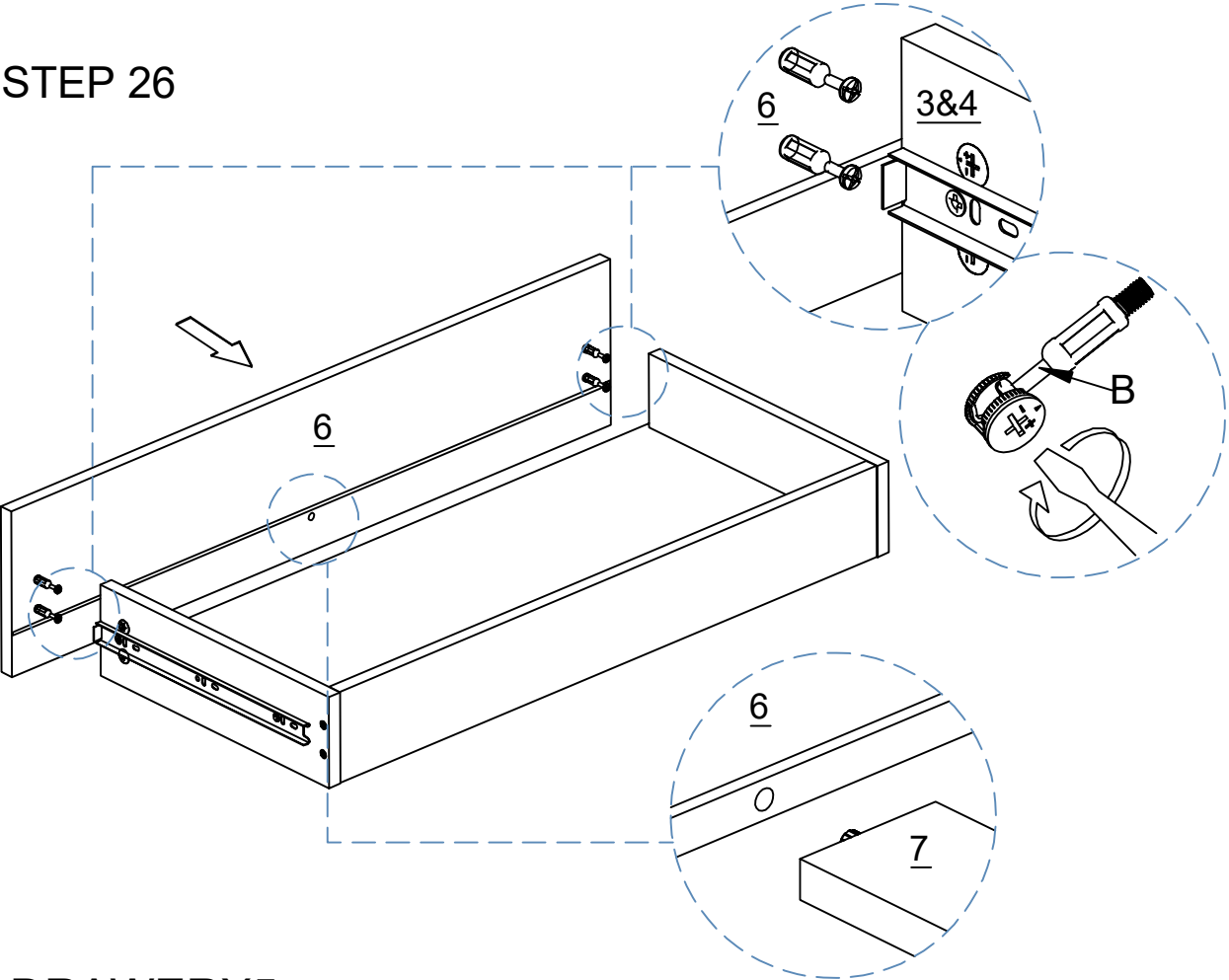


STEP 25



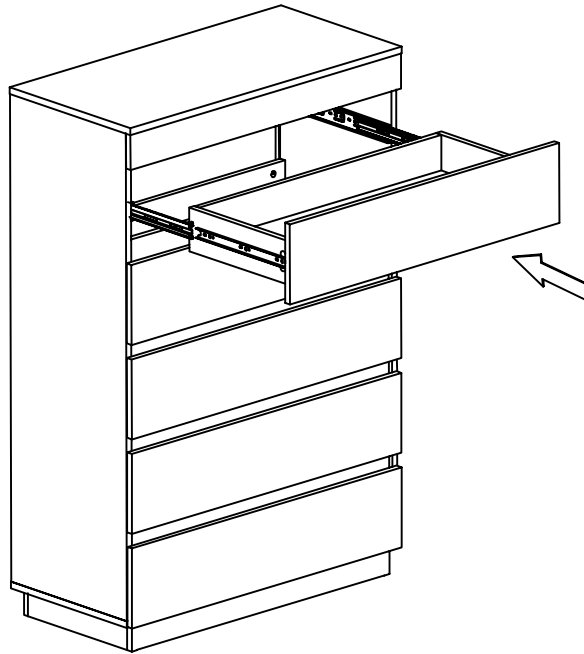
DRAWERX5

STEP 26





DRAWERX5

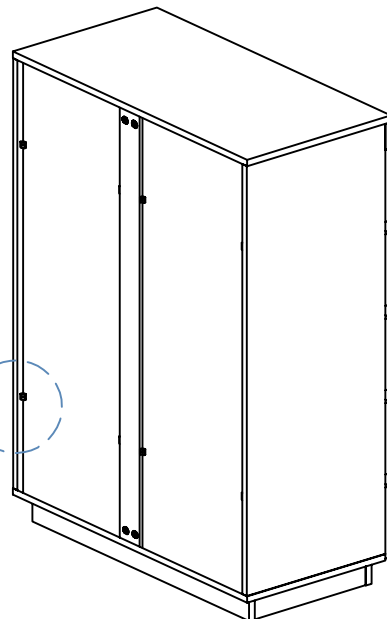
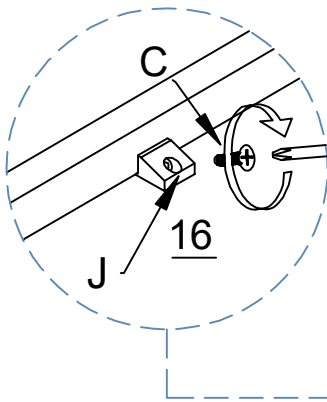
STEP 27



DRAWERX5

STEP 28

HARDWARE NEEDED:		
J.		8 PCS
C.		8 PCS



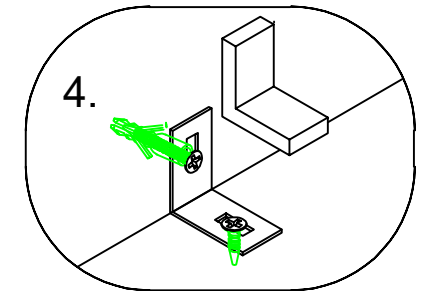
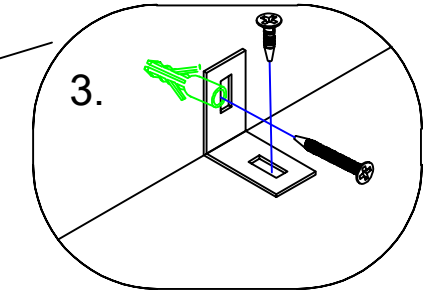
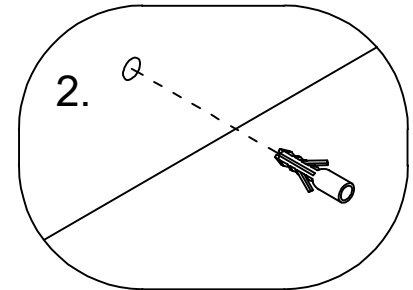
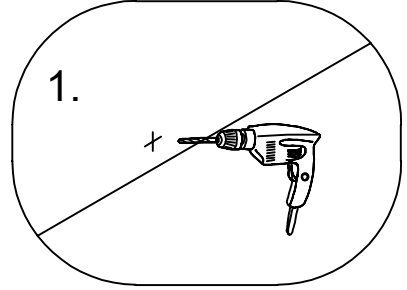
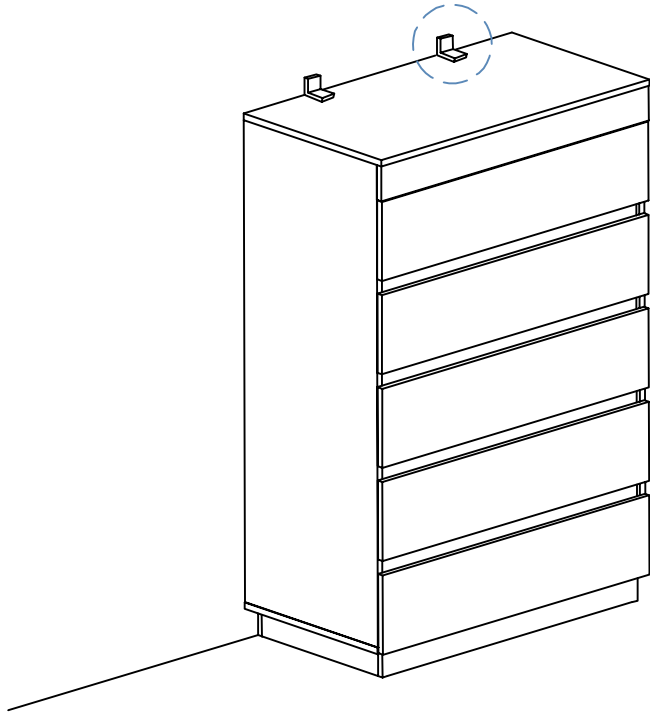
No.C
Quantity:8Pcs
Screw M3.5*14mm



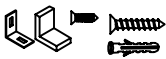
No.J
Quantity:8Pcs
Back Plate Clamp



STEP 29



No.1
Quantity:2Pcs
Anti Collapse



lifely.com.au

Great Job, You're done!

Don't forget to share how it looks in
your space and tag us on Instagram.

[@lifelyhome#homewithlifely!](#)