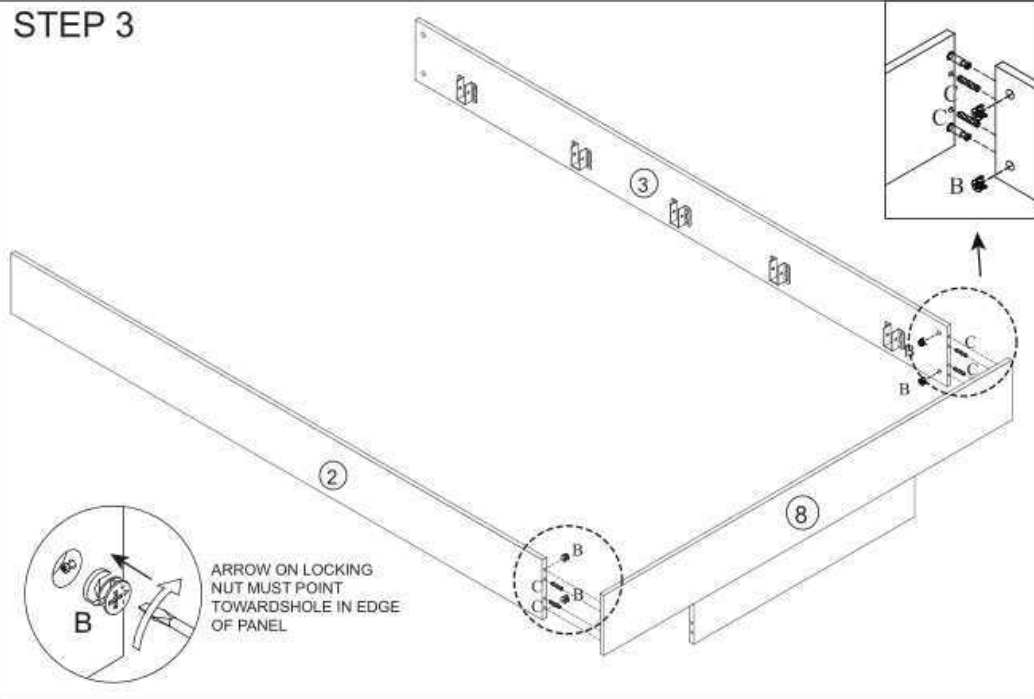
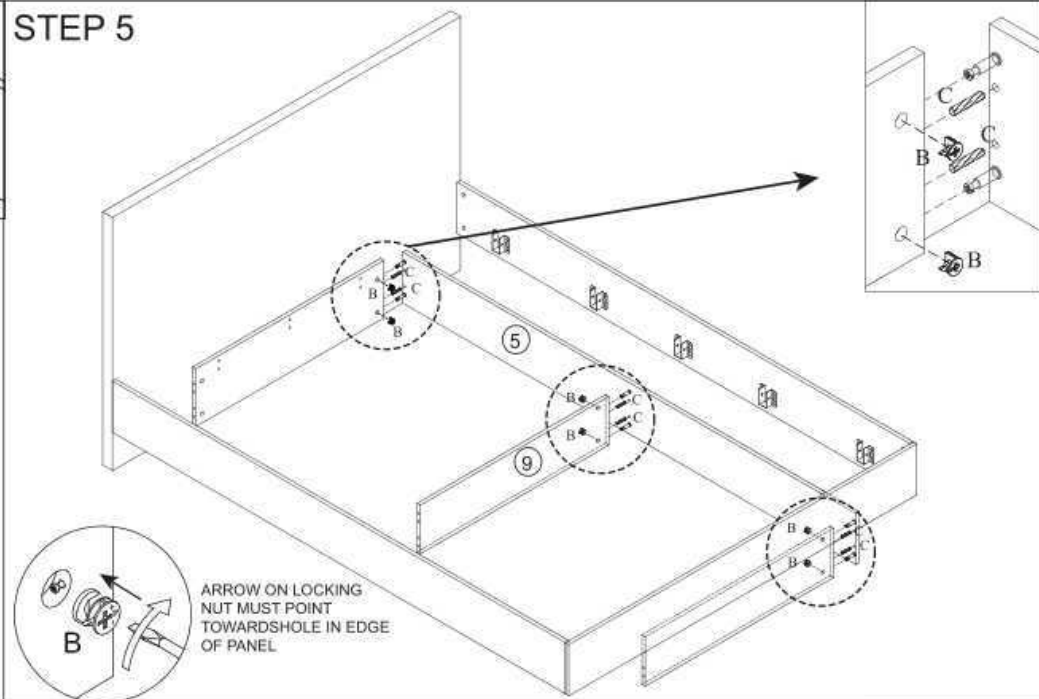


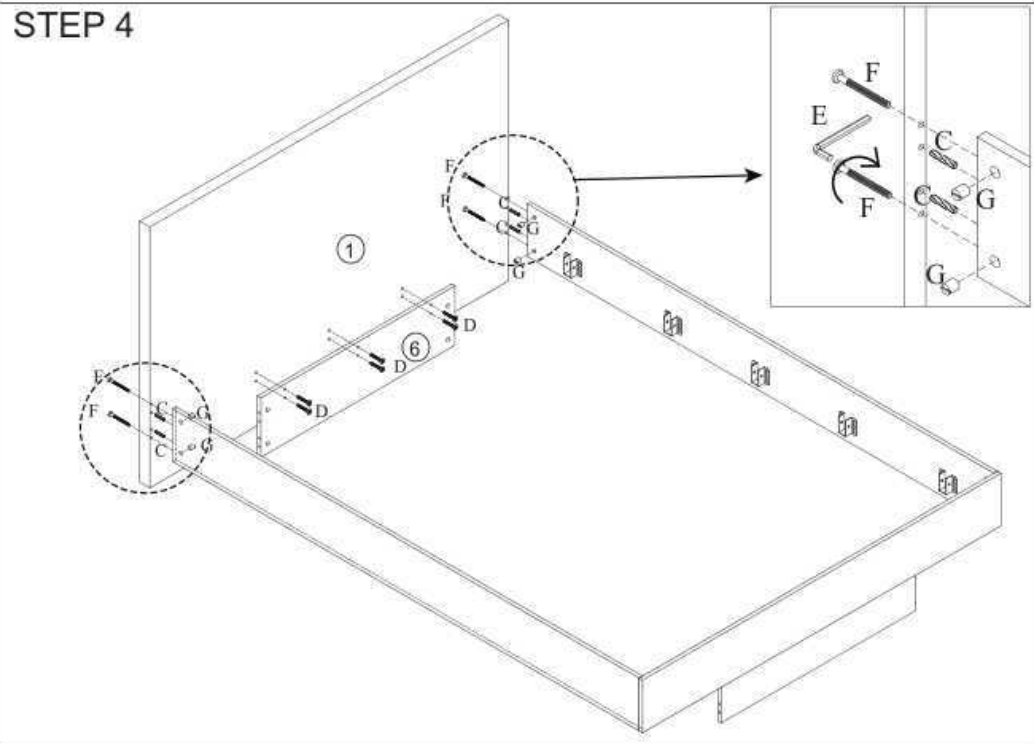
### STEP 3



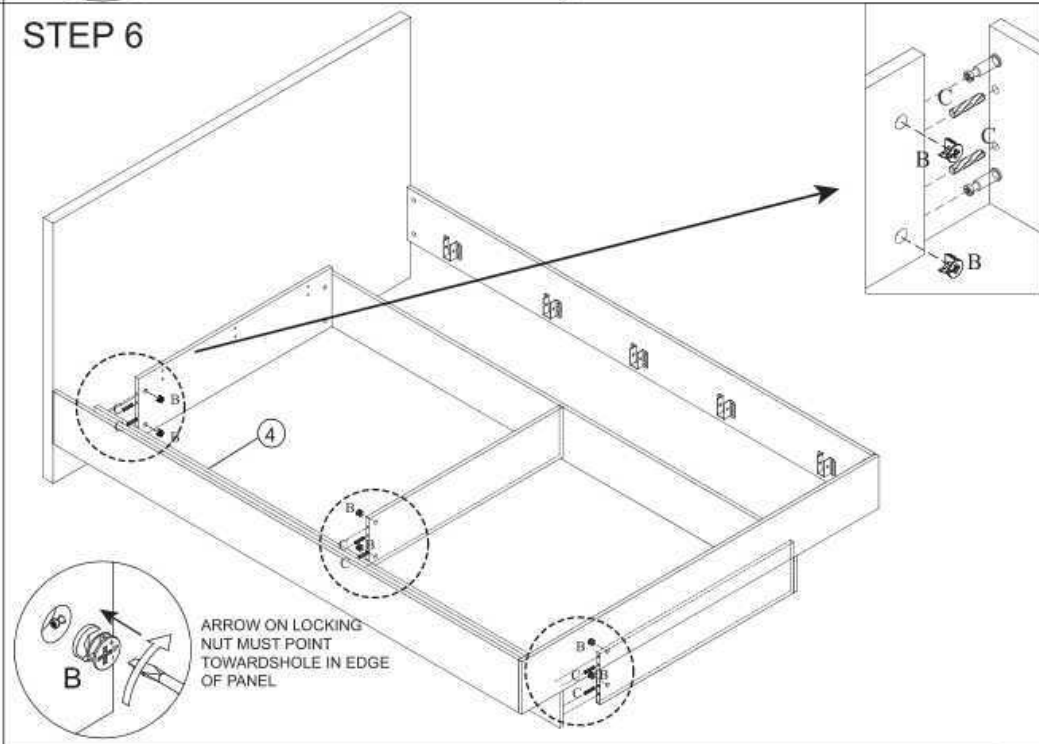
### STEP 5



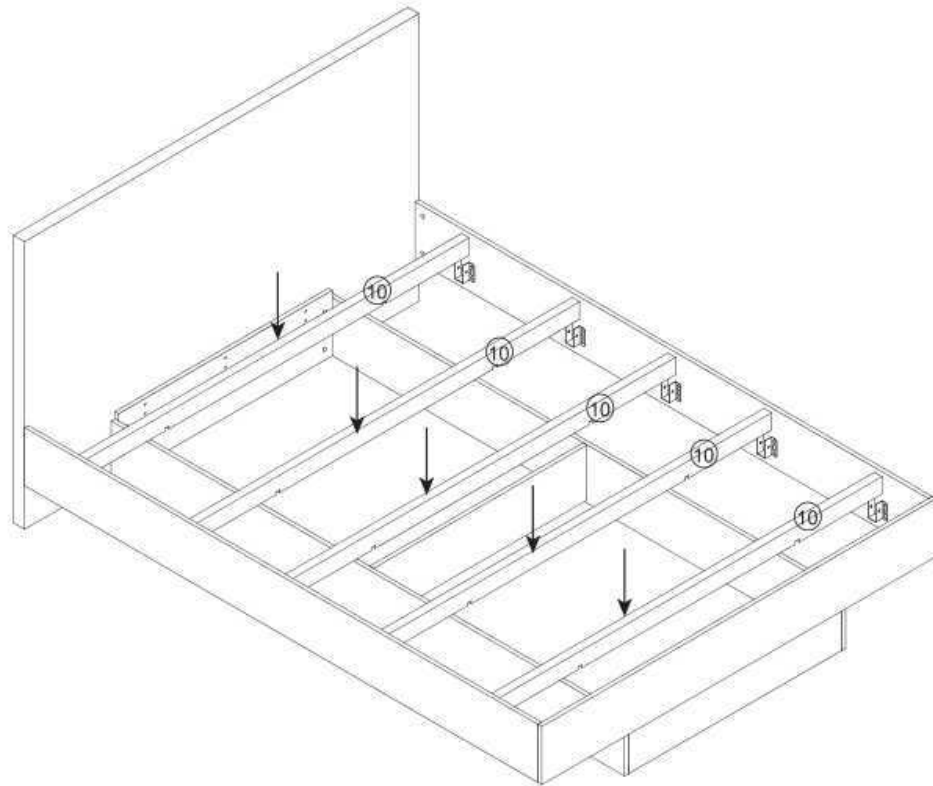
### STEP 4



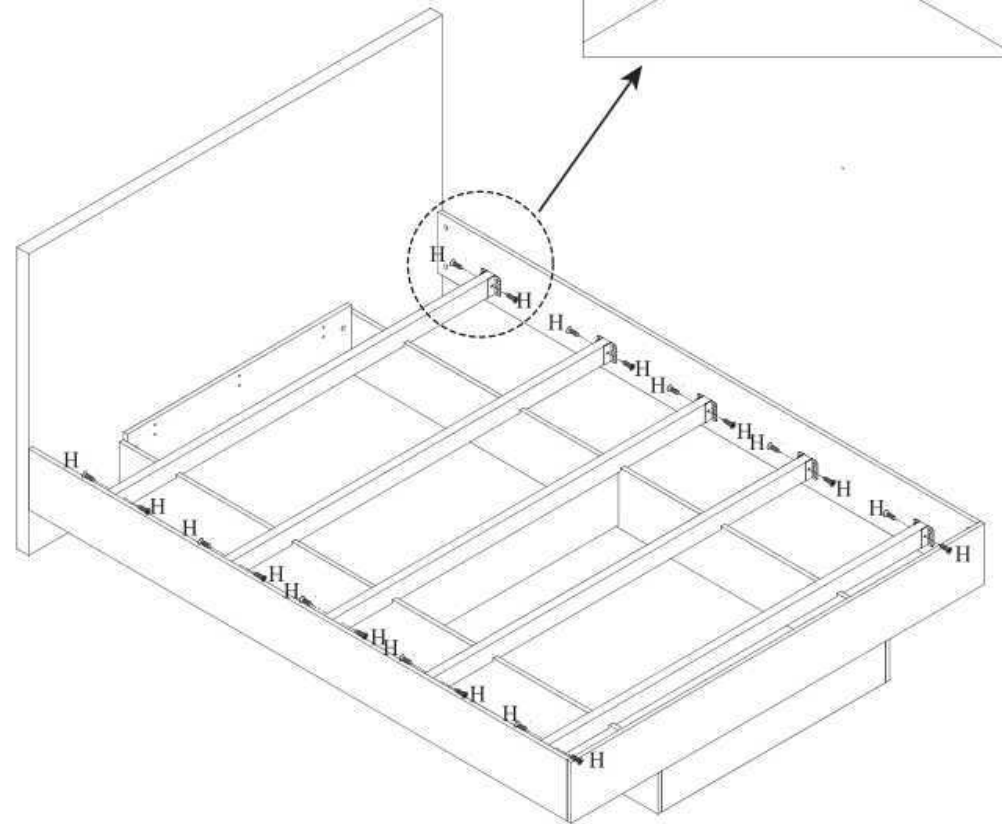
### STEP 6



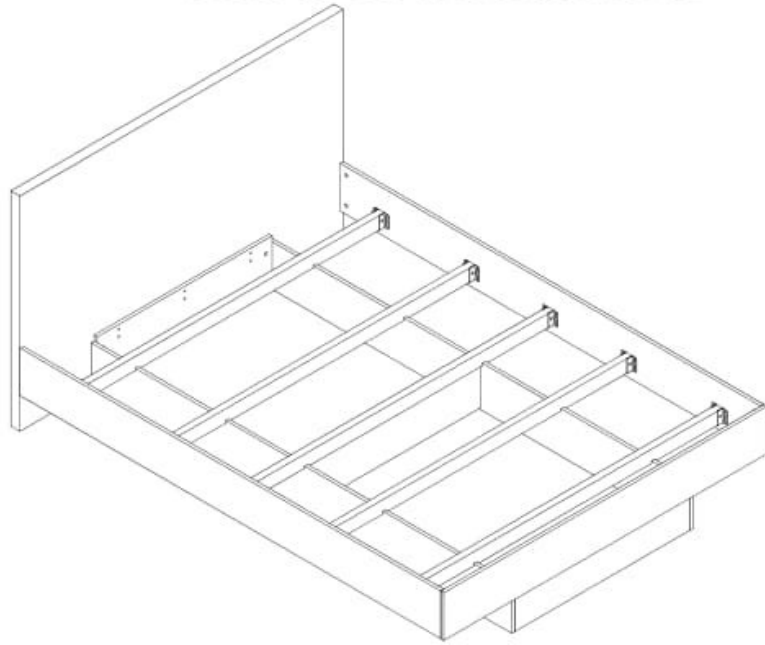
STEP 7



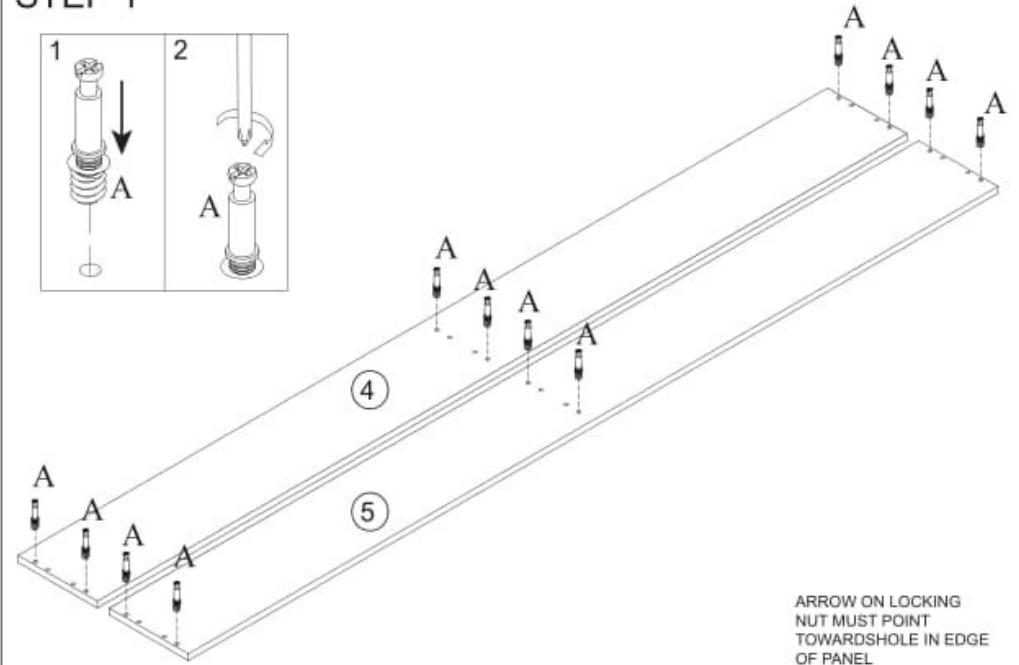
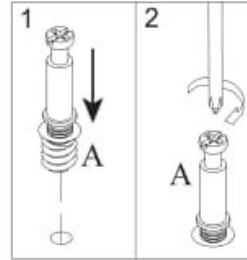
STEP 8



# ASSEMBLY INSTRUCTION

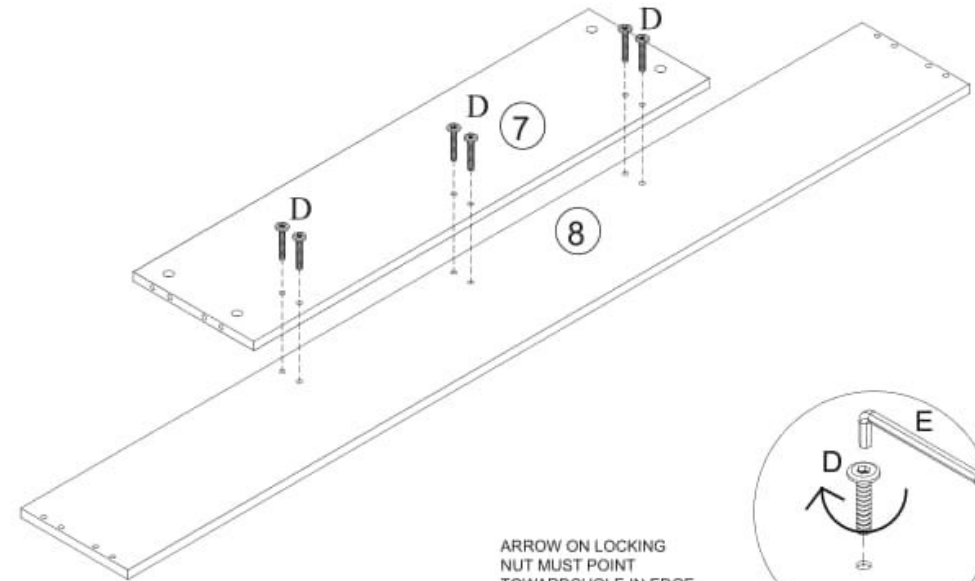


## STEP 1

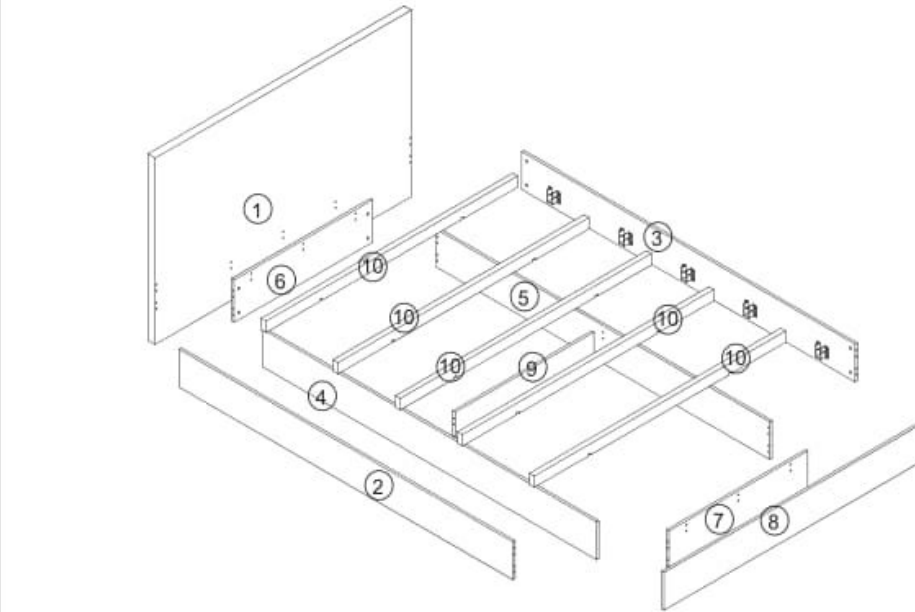
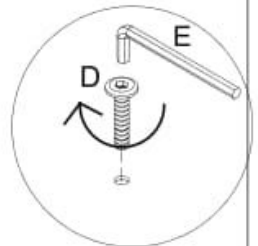


ARROW ON LOCKING NUT MUST POINT TOWARDS HOLE IN EDGE OF PANEL

## STEP 2



ARROW ON LOCKING NUT MUST POINT TOWARDS HOLE IN EDGE OF PANEL



A x 16	B x 16	C x 16	D x 12	E x 1	F x 4	G x 4	H x 20