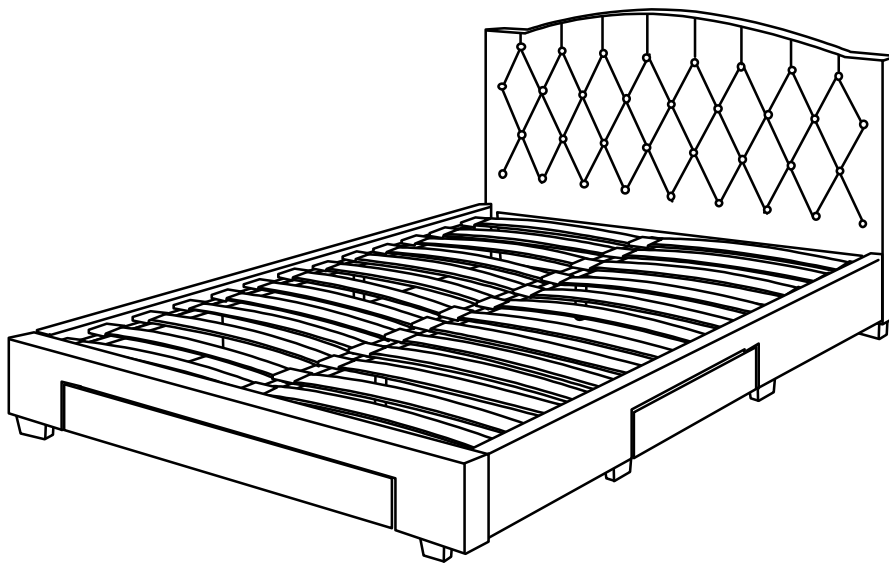


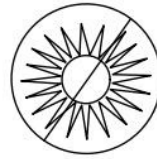
ASSEMBLY INSTRUCTION



Dimension
Height : 1095 mm
Width : 1610 mm
Length : 2180 mm

MIRA QUEEN BED

IMPORTANT TIPS AND MAINTANANCE

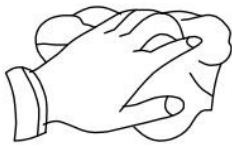


i)Keep children and animal away from working area because smaller part could choke if swallowed.

ii)Never put the liquid or damp on the furniture.

iii)To avoid dulling, do not place directly to the sunlight.

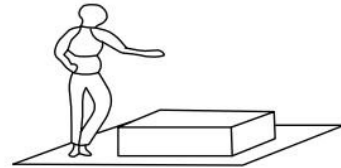
iv)Never use ammonia cleaning product, because it will damage to finish.



v)Use a soft or damp cloth (dry cloth)and then wipe to clean on the surface.



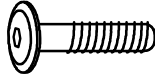
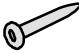
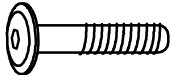

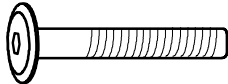


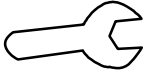


vi)Two person are required.



vii)Put the soft map on the floor to protect the furniture before assembly.

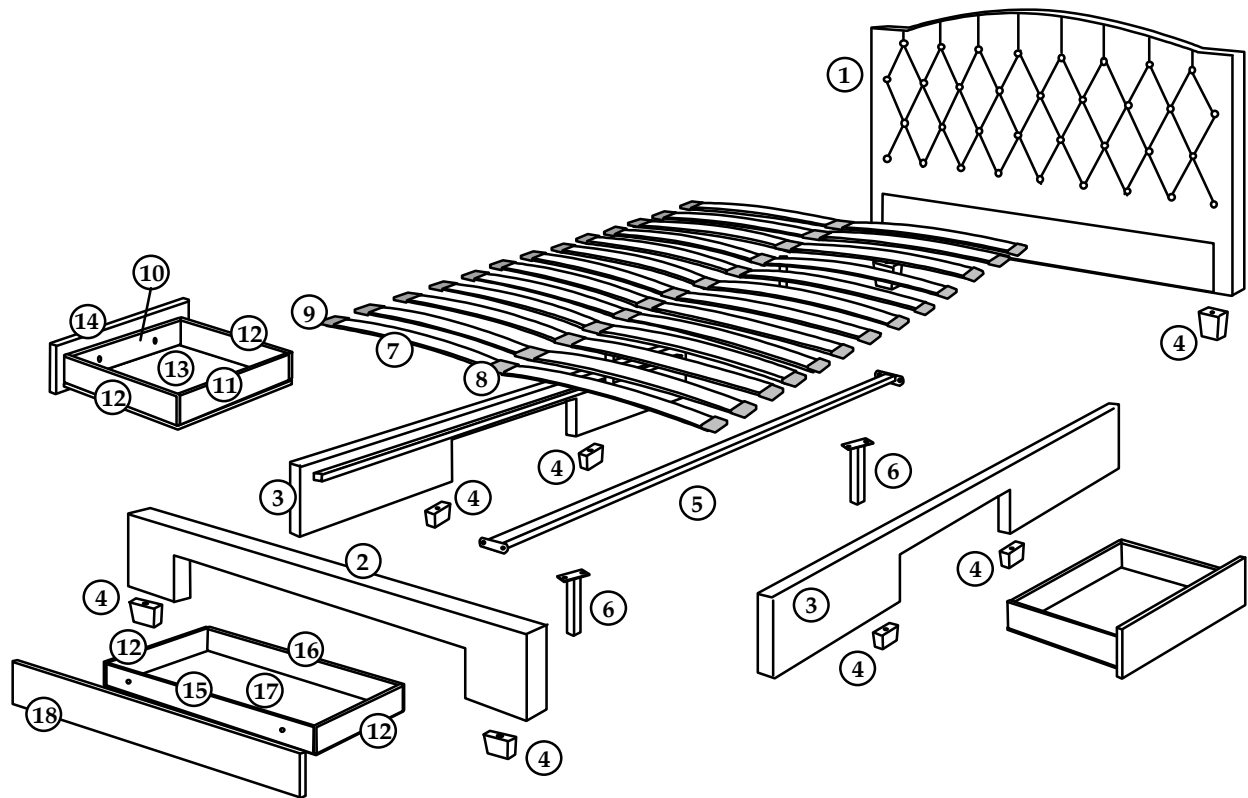
HARDWARE

Please check you have all the fitting parts or tools listed below

No.	Fittings / Tools	Quantities	No.	Fittings / Tools	Quantities
A	 Bolt M8 x 25mm	19pcs	G	 20mm Wood Screw	62pcs
B	 Bolt M8 x 30mm	4pcs	H	 wheel	12pcs
C	 M8 x 45mm	8pcs	I	 M5 Allen Key	1pc
D	 Washer	15pcs	J	 M8 Spanner	1pc
E	 M8 Hex Nut	4pcs			
F	 30mm Wood Screw	24pcs			

PARTS

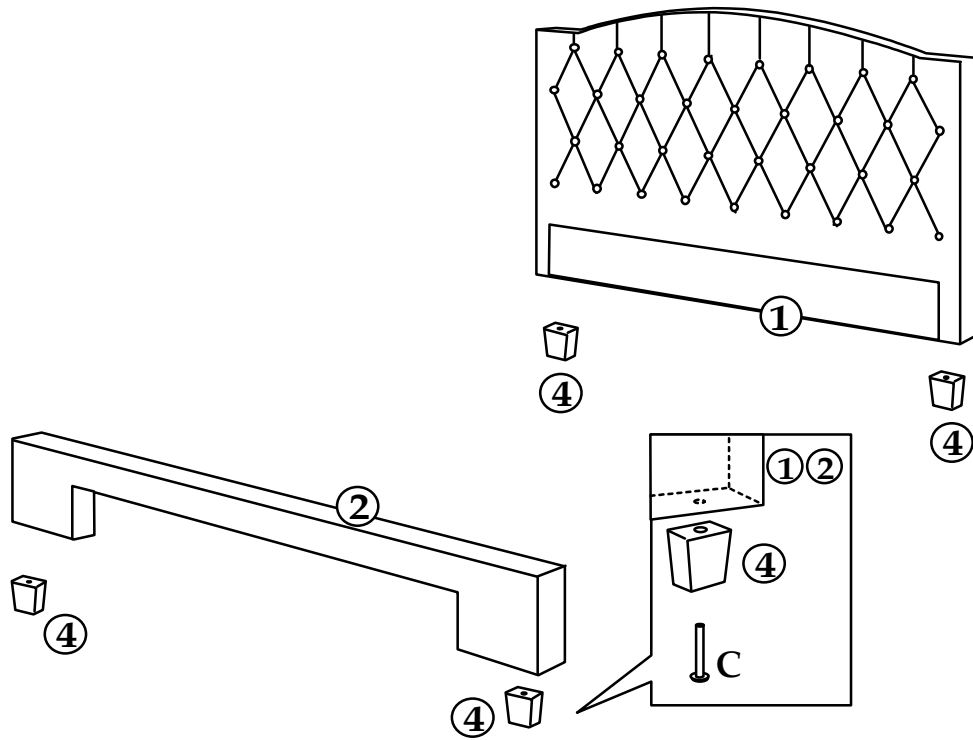
Please check you have all the parts listed below



1	Head End	1pc	12	Drawer Side Panel	6pcs
2	Foot End	1pc	13	Small Drawer Bottom Panel	2pcs
3	Siderail	2pcs	14	Small Drawer Face Panel	2pcs
4	Wood Leg	8pcs	15	Big Drawer Front Panel	1pc
5	Centre Rail	1pc	16	Big Drawer Back Panel	1pc
6	Support Leg	2pcs	17	Big Drawer Bottom Panel	1pc
7	Wood Slat	26pcs	18	Big Drawer Face Panel	1pc
8	Centre Plastic Holder	13pcs			
9	Side Plastic Holder	26pcs			
10	Small Drawer Front Panel	2pcs			
11	Small Drawer Back Panel	2pcs			

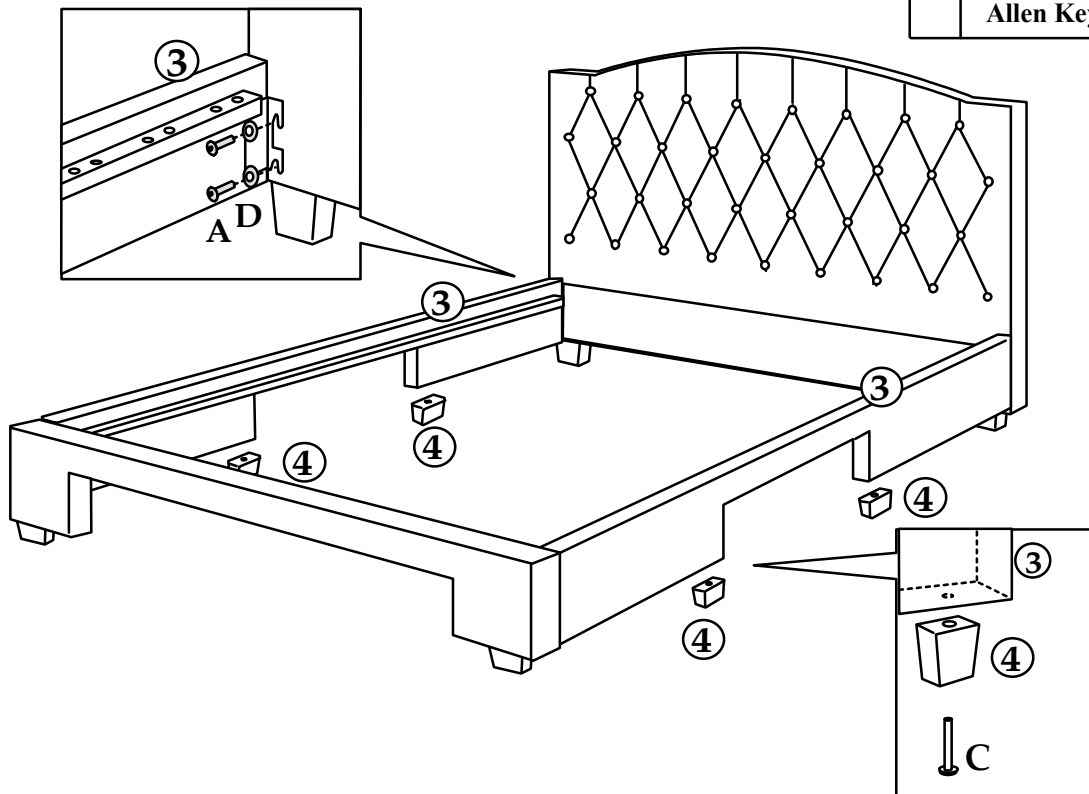
Step 1

Hardware Needed		
C	Bolt M8 x 45	4pcs



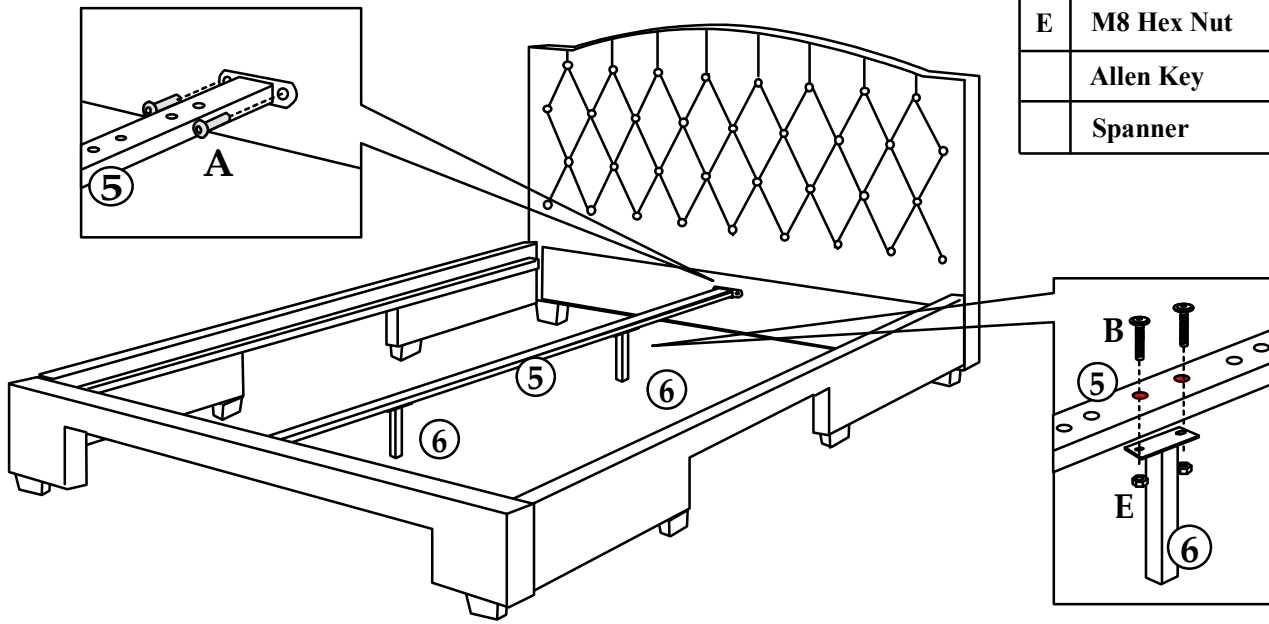
Step 2

Hardware Needed		
A	Bolt M8 x 25	8pcs
C	Bolt M8 x 45	4pcs
D	Washer	8pcs
	Allen Key	



Step 3

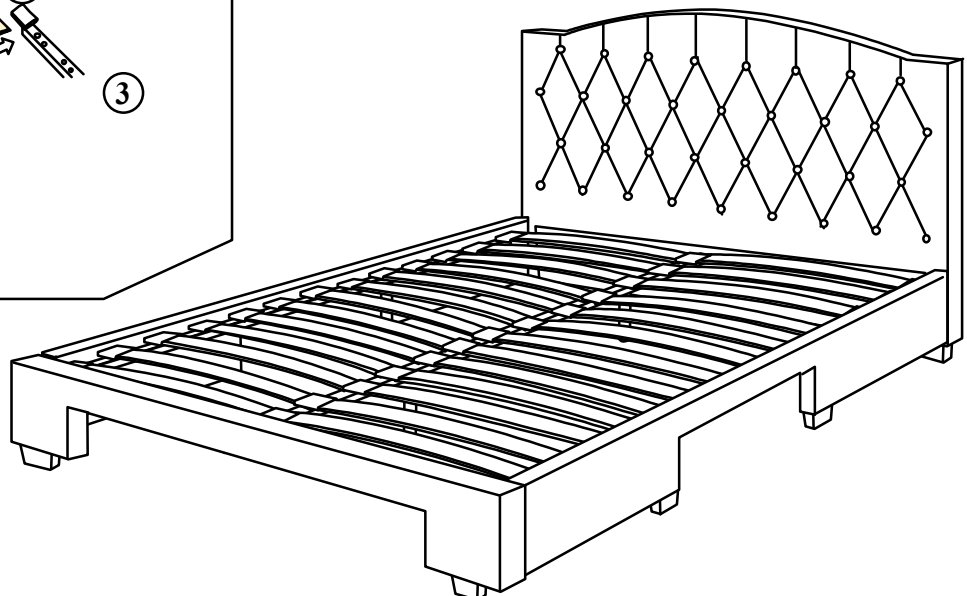
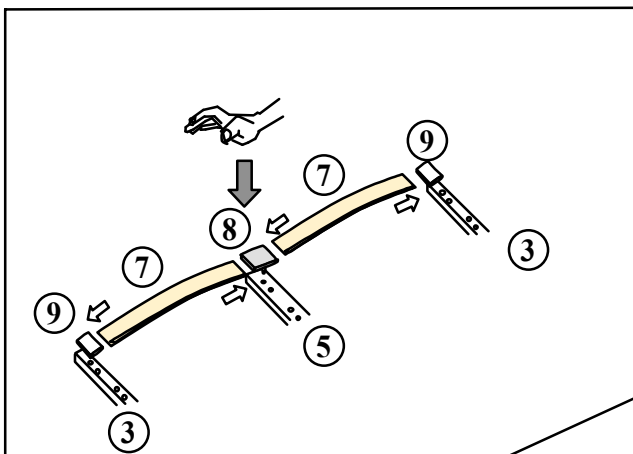
Hardware Needed		
A	Bolt M8 x 25	4pcs
B	Bolt M8 x 30	4pcs
E	M8 Hex Nut	4pcs
	Allen Key	
	Spanner	



WARNING

- 1) If the bed has to be moved, lift the entire bed up when moving and **DO NOT** drag the bed across the floor.
- 2) Double check if the all non-slip pads are well-attached.
- 3) Make sure the support legs (part 6) are not making direct contact with your floor, leave a maximum 2mm of space between the legs and floor.

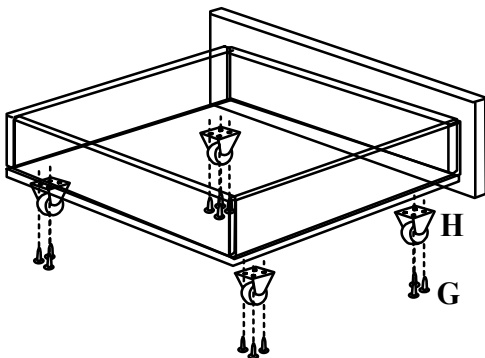
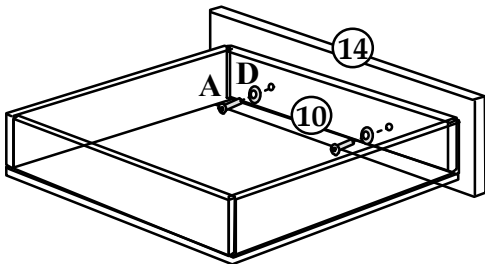
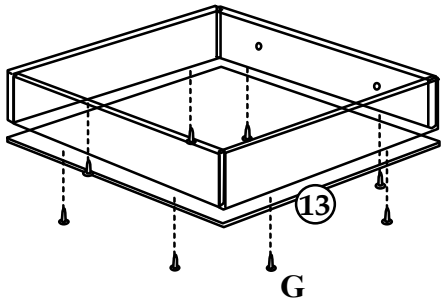
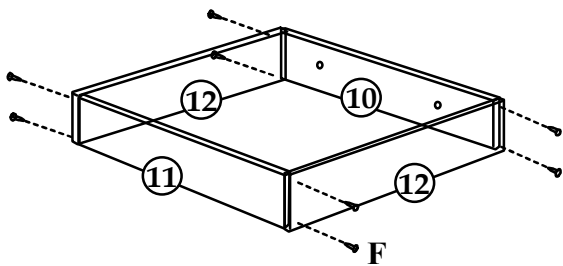
Step 4



Hardware Needed

A	Bolt M8 x 25	7pcs	H	Wheels	12pcs
D	Washer	7pcs	I	Allen Keys	
F	30mm Wood Screw	24pcs			
G	20mm Wood Screw	62pcs			

Step 5



Step 6

