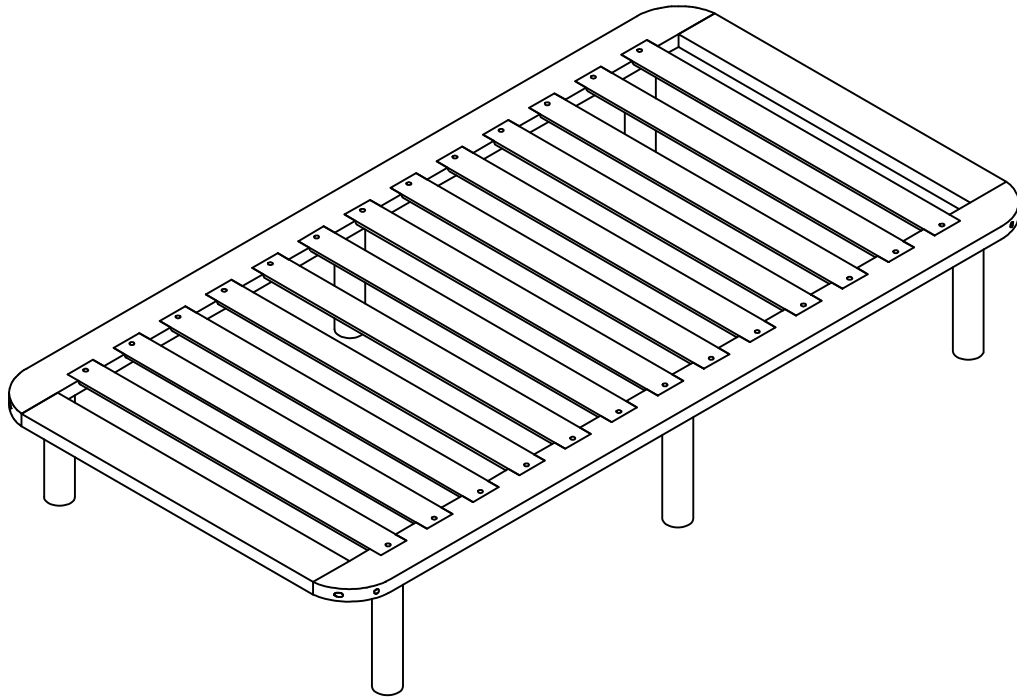
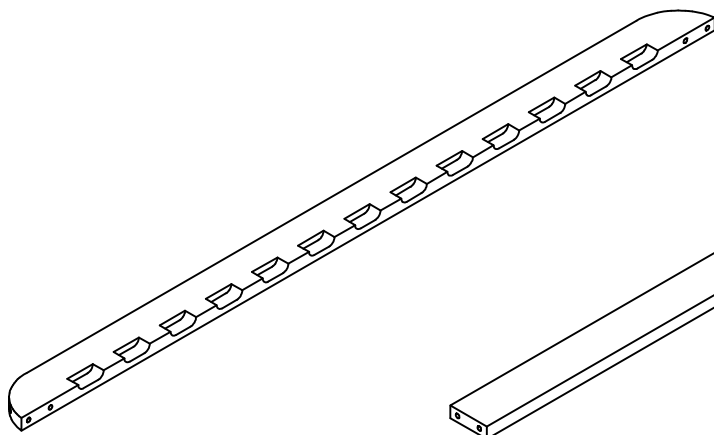


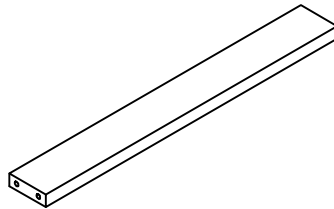
# Assembly Instruction



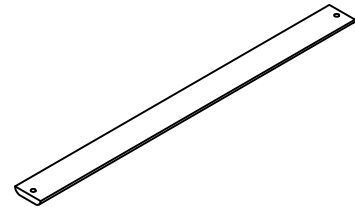
## Assembly Parts



① X 2



② X 2

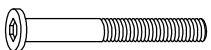


③ X 13



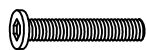
④ X 6

AX4



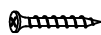
(M8\*120)

BX4



(M8\*70)

CX26



(M4\*25)

DX6

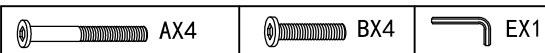
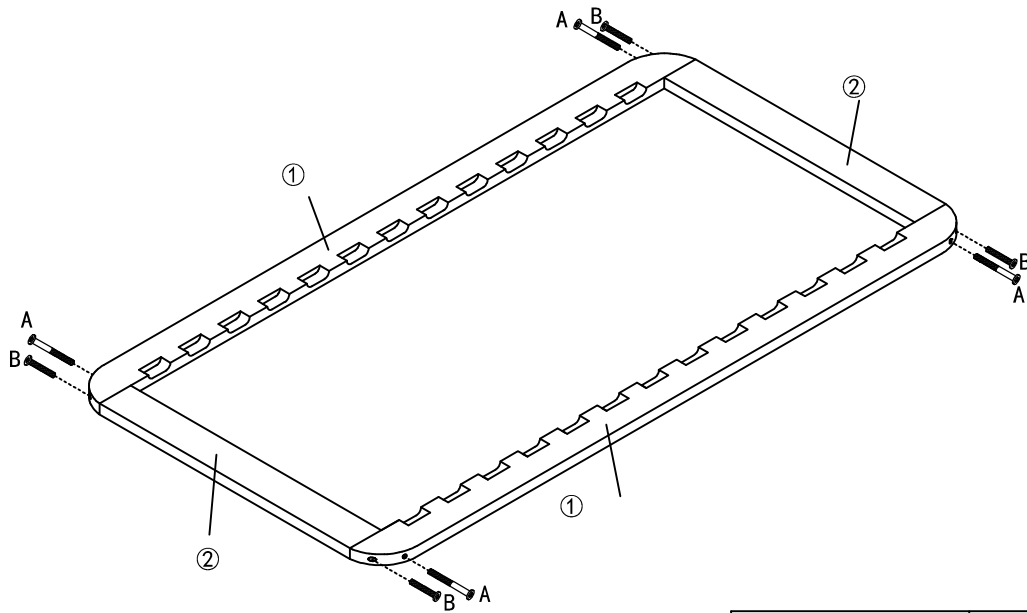


( $\phi$ 50)

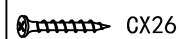
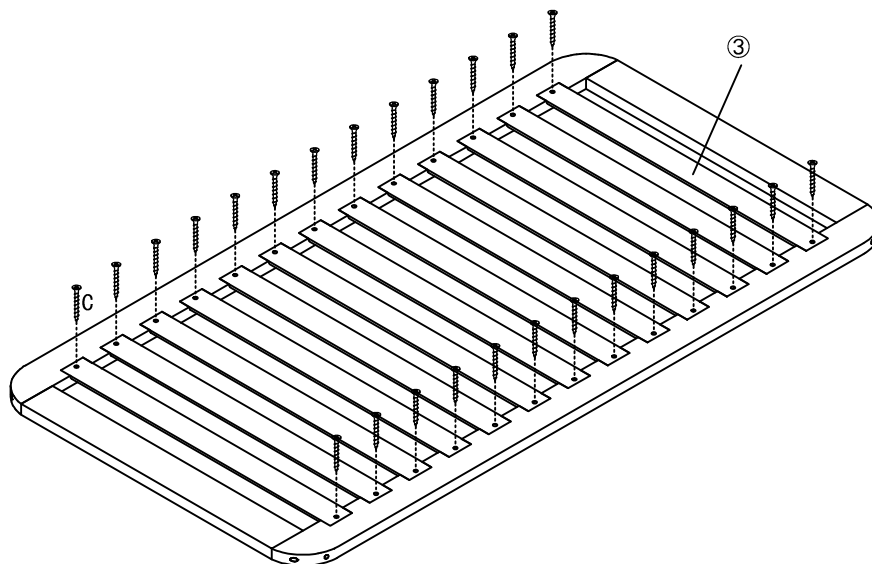
EX1



1



2



3

