

## ASSEMBLY INSTRUCTIONS 1907 SIDE CHAIR

Thank you for purchasing this product. This product has been designed for easy assembly and constructed for durability. Please take the time to read and follow the assembly instructions carefully.

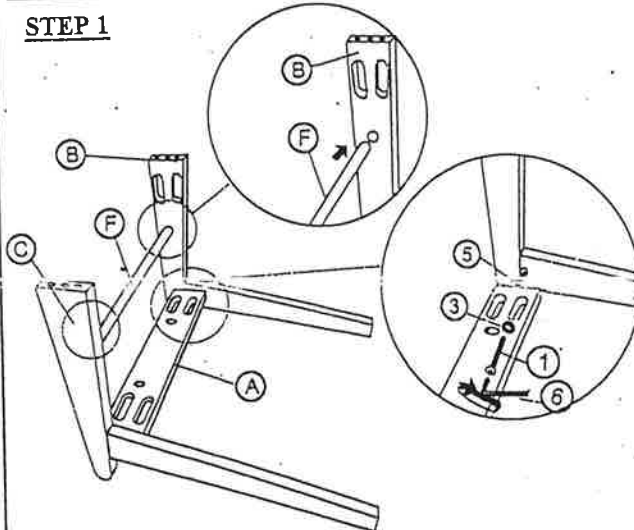
### IMPORTANT NOTE:

Place all wooden parts on a clean and smooth surface such as a rug or carpet to avoid the parts from being scratched.  
Check to be sure that you have all parts and hardware.  
Remove all wrapping materials, including staples and packing straps before you start to assemble.  
Do not tighten all screw/ bolts until all completely assembled.  
Keep all hardware parts out of reach of children.

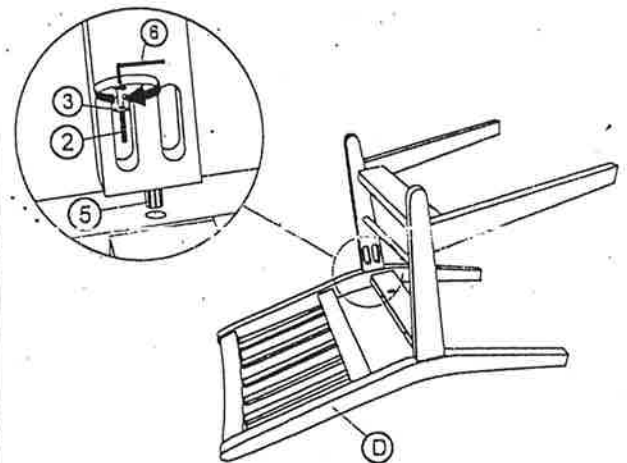
PARTS LIST ( FOR EACH CHAIR )		
ITEM	DESCRIPTION	QTY
A	FRONT RAIL	1 PC
B	FRONT LEG (L)	1 PC
C	FRONT LEG (R)	1 PC
D	CHAIR BACK	1 PC
E	CHAIR SEAT	1 PC
F	SUPPORT	1 PC

HARDWARE LIST ( FOR EACH CHAIR )		
ITEM	DESCRIPTION	QTY
1	JCBC SCREW M6 x 40mm	4 Pcs
2	JCBC SCREW M6 x 30mm	4 Pcs
3	SPRING WASHER M6	8 Pcs
4	WOOD SCREW M4 x 32mm	4 Pcs
5	WOOD DOWEL	4 Pcs
6	M4 ALLEN KEY (LONG)	1 PC

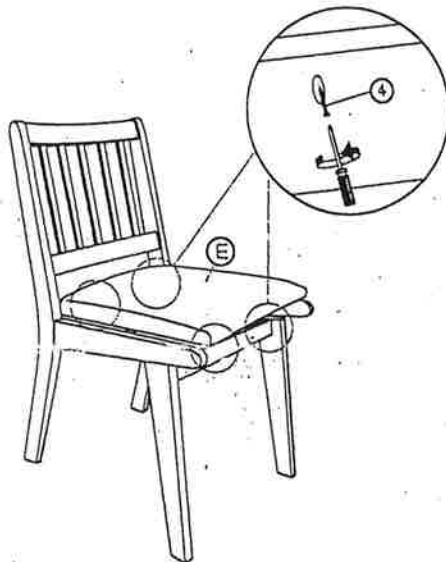
### STEP 1



### STEP 2



### STEP 3



### COMPLETE



MADE IN MALAYSIA