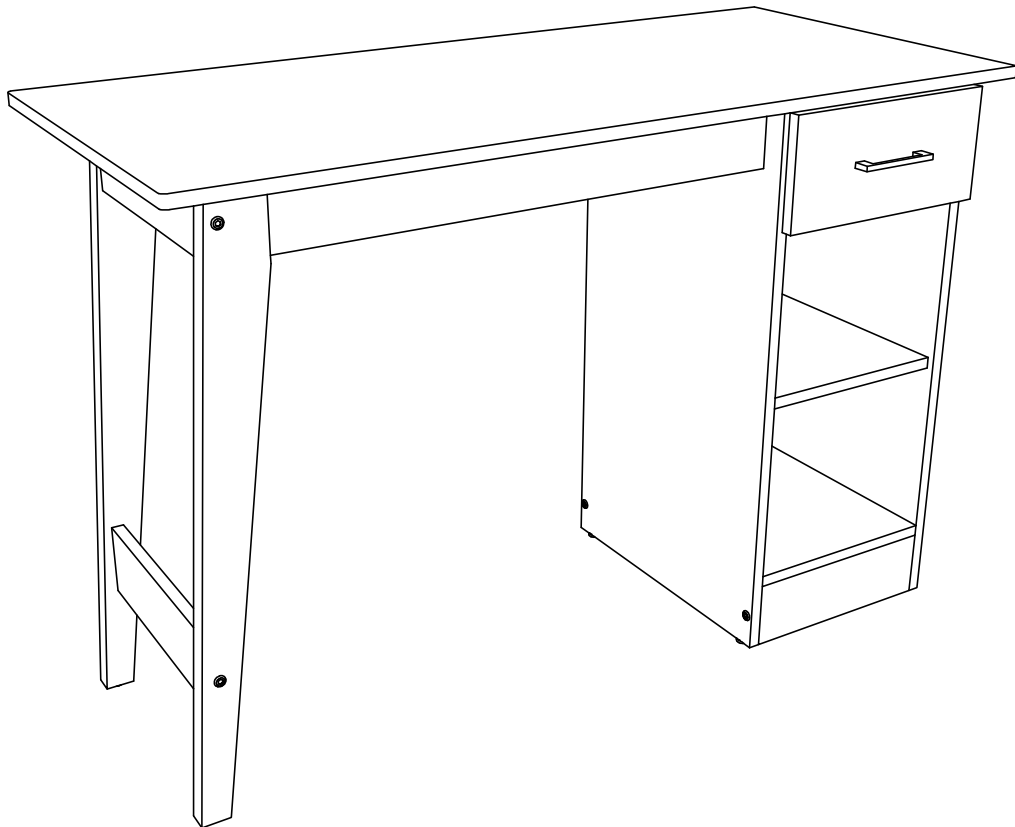


Assembly Instruction

Nobu Series



Lifely*

Product Code
NB D1157-OK DESK

Dimension (W x D x H)
1100x500x755mm

Important

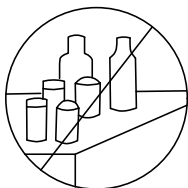
Please read through instruction carefully
Before assembly and keep for future reference.

For our full catalogue of assembly instructions,
Visit: lifely.com.au/assembly.

Important Tips and Maintenance



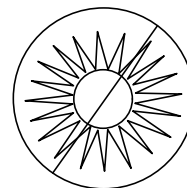
1.
Keep children and animals away from working area as smaller parts may cause choking if swallowed.



2.
Never place liquids or anything damp upon furniture as it will mark. Ensure a coaster or running is beneath.



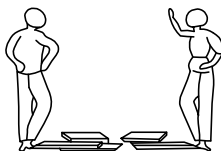
3.
Never use ammonia based cleaning products as it will damage the finish



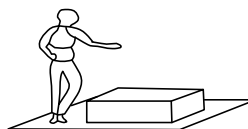
4.
To avoid fading, keep furniture out of direct sunlight.



5.
Use a soft or damp cloth (dry cloth) when wiping or cleaning surfaces.



6.
Two person are required.



7.
Lay a soft matt down to protect the furniture piece before and during assembly.

So your relationship is strong. But is it flat-pack furniture strong? Unless you're an aerospace engineer, assembling furniture can be slightly stressful. We recommend meditating quietly, pouring yourself a herbal tea (or slightly less herbal wine) and tackling things one step at a time. If you feel a passive aggressive remark coming on, try a compliment instead. E.g. "You're so good looking".

This 24-Step assembly should take around 40 minutes with an Allen Key or 25 minutes with an electric drill. Godspeed.

Designed for everyday

Component Hardware

Please check you have all the fittings
part or tools are listed below.

No. A
Quantity:48Pcs
Dowel 6 X 30mm



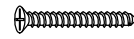
No. B
Quantity:4Pcs
Bolt M7 X 60mm



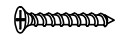
No. C
Quantity:11Pcs
Screw M3.5 X 12mm



No. D
Quantity:2Pcs
Screw M4 X 38mm



No. E
Quantity:2Pcs
Screw M4 X 25mm



No. F
Quantity:4Pcs
Shelf Support Pin



No. G
Quantity:1Pc
Handle



No. H
Quantity:14Sets
Cam Bolt + Cam Nut



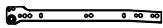
No. I
Quantity:6Pcs
Pvc Glide



No. J
Quantity:6Pcs
Screw M3.5 X 16mm



No. K
Quantity:2Pcs
Drawer Runner A-L/R



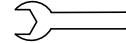
No. L
Quantity:2Pcs
Drawer Runner B-L/R



No. M
Quantity:1Pc
Allen Key



No. N
Quantity:1Pc
Spanner



No. O
Quantity:2Pcs
Flange Nut



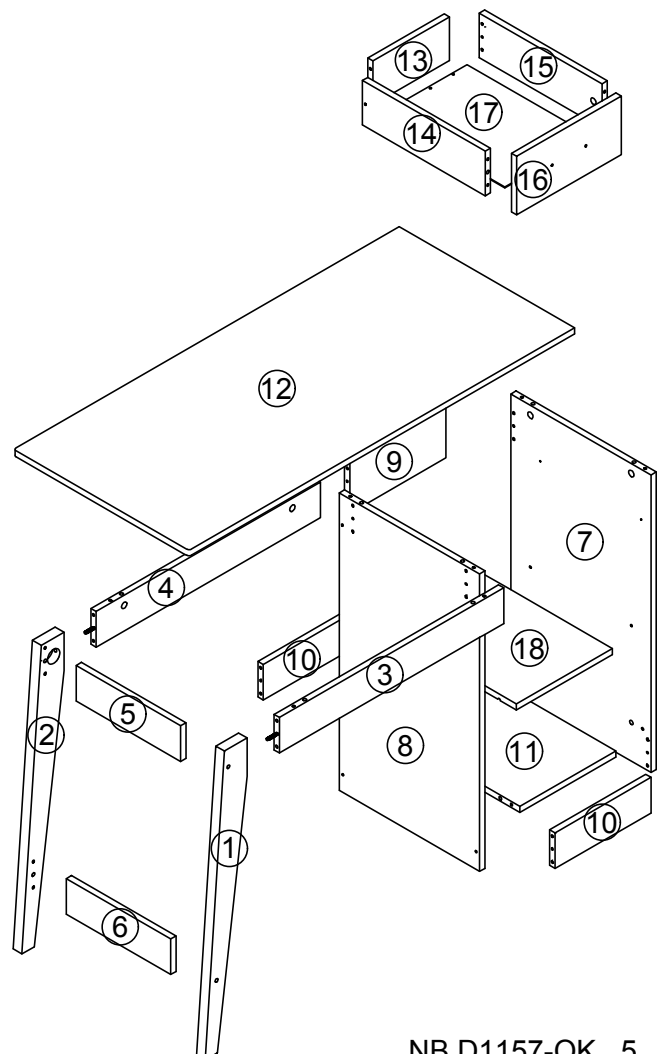
No. P
Quantity:8Pcs
Bolt M6 X 50mm



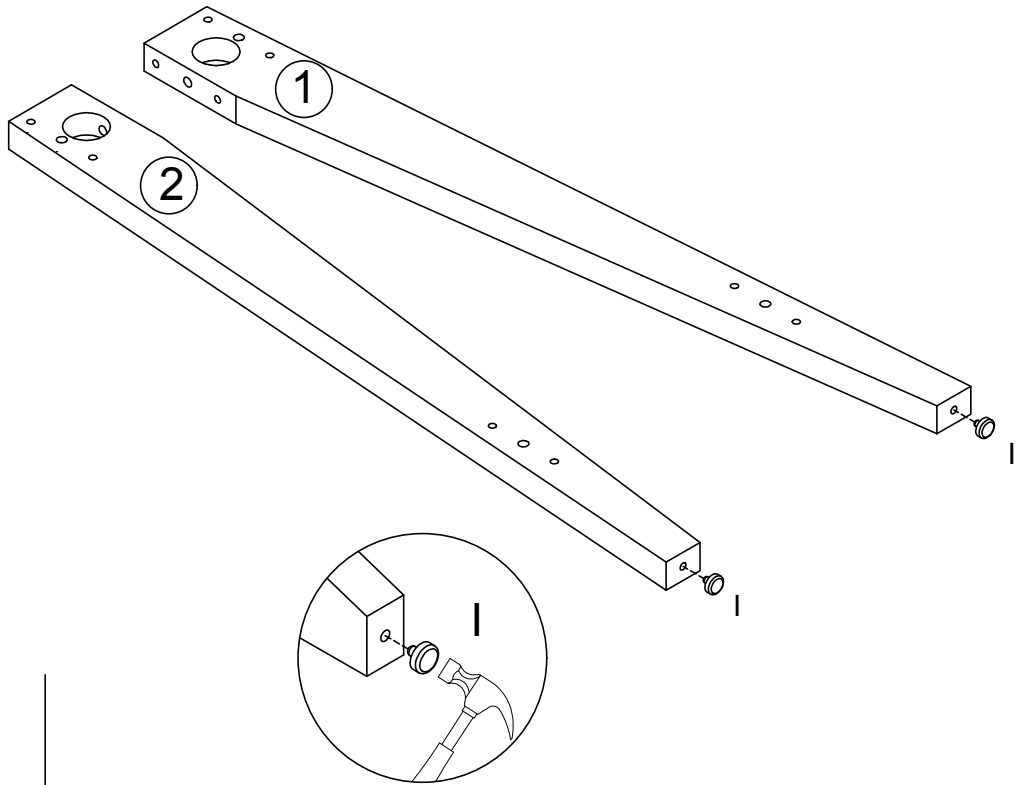
Component Panel & Part List

Please check you have all the panels are listed below.

1. Pillar Leg-front - - - - -x1
2. Pillar Leg-back - - - - - x1
3. Support Leg-front - - - - - x1
4. Support Leg-back - - - - - x1
5. Support Leg-top left - - - - - x1
6. Support Leg-bottom left - - - - x1
7. Side Panel-right - - - - -x1
8. Side Panel-left - - - - - x1
9. Upper Crossbar - - - - -x1
10. Below Crossbars - - - - - x2
11. Bottom Panel - - - - - x1
12. Top Panel - - - - -x1
13. Drawer Back - - - - - x1
14. Drawer Side-left - - - - -x1
15. Drawer Side-right - - - - - x1
16. Drawer Front - - - - -x1
17. Drawer Base - - - - -x1
18. Shelf Panel - - - - - x1



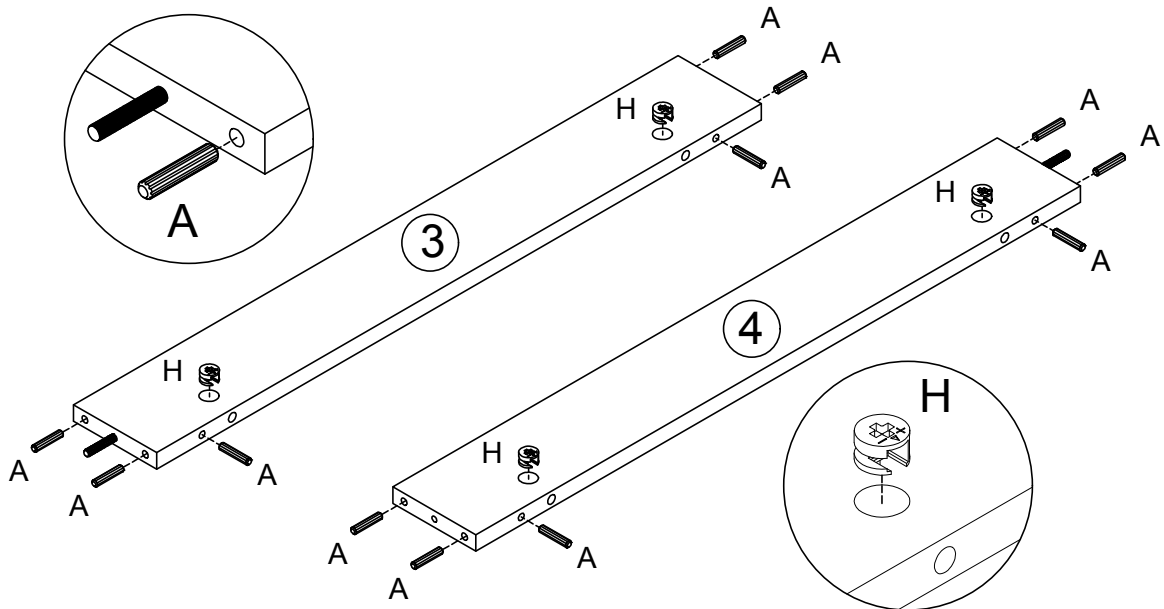
STEP 1



No. I
Quantity: 2Pcs
PVC Glide



STEP 2



No. A
Quantity: 12Pcs
Dowel 6 X 30mm

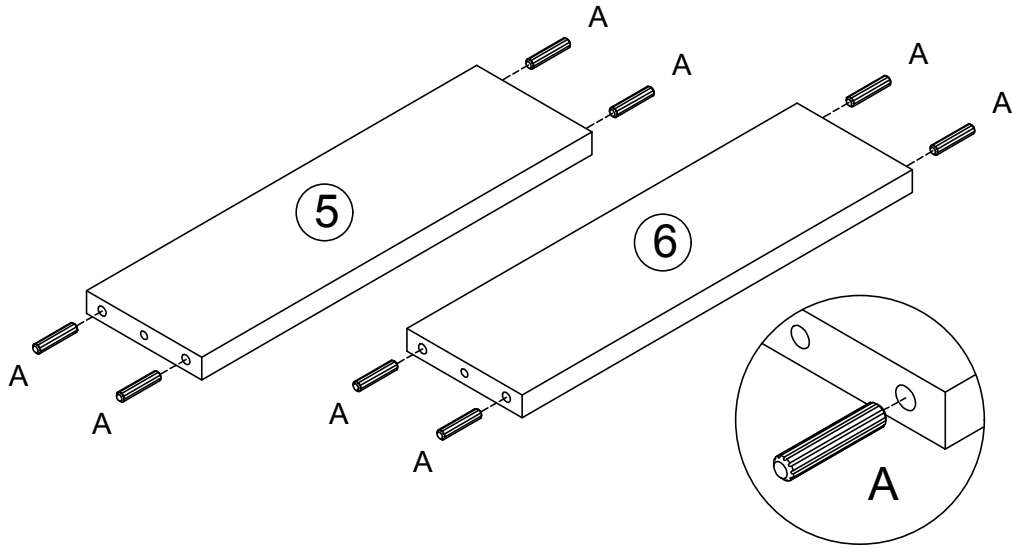


No. H
Quantity: 4Pcs
Cam Nut



ARROW ON LOCKING
NUT MUST POINT
TOWARDS HOLE IN
EDGE OF PANEL

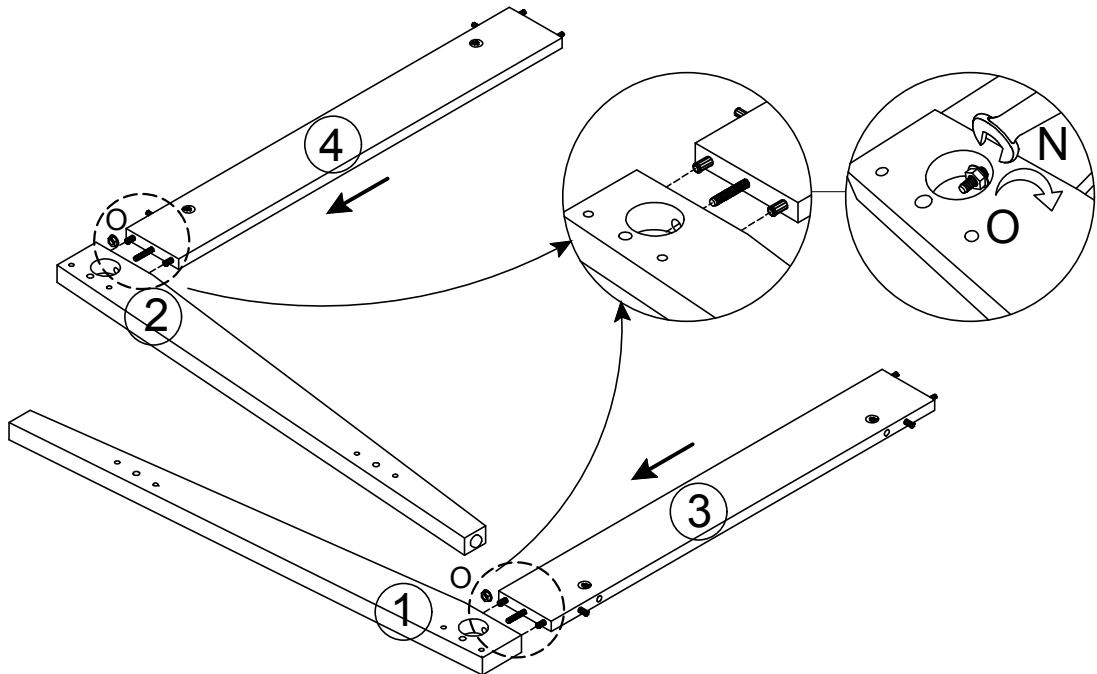
STEP 3



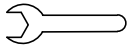
No. A
Quantity: 8Pcs
Dowel 6 X 30mm



STEP 4



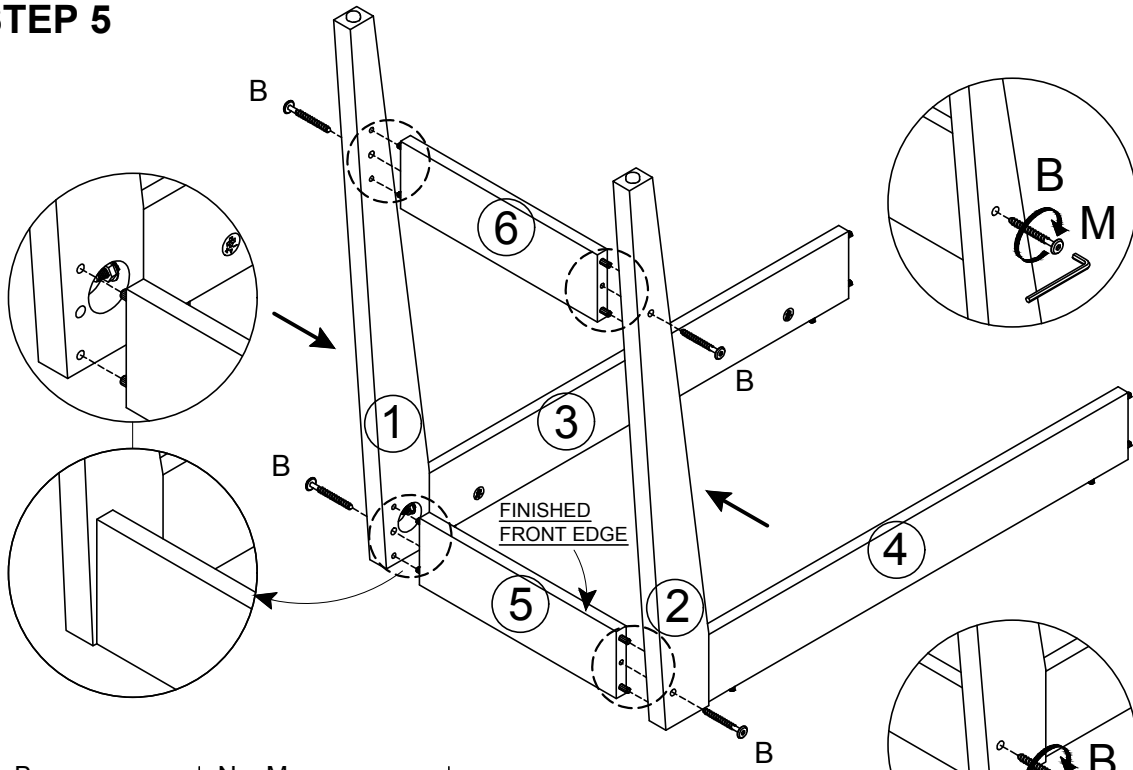
No. N
Quantity: 1Pc
Spanner



No. O
Quantity: 2Pcs
Flange Nut



STEP 5



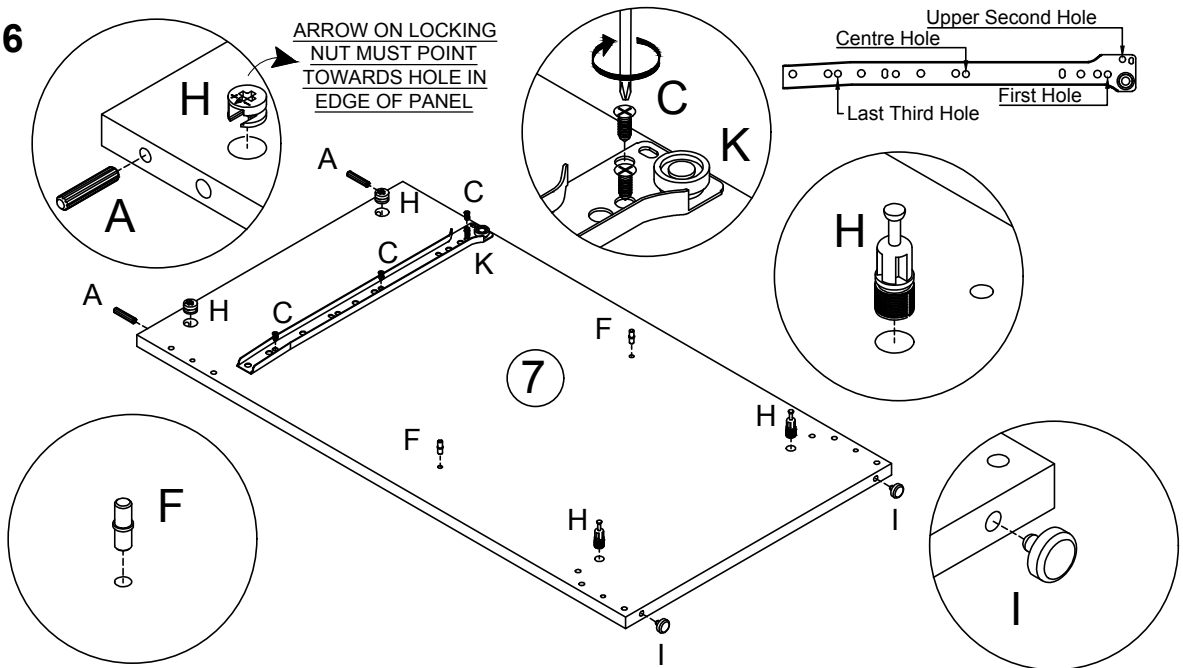
No. B
Quantity: 4Pcs
Bolt M7 X 60mm



No. M
Quantity: 1Pc
Allen Key



STEP 6



No. A
Quantity: 2Pcs
Dowel 6 X 30mm



No. C
Quantity: 4Pcs
Screw M3.5 X 12mm



No. F
Quantity: 2Pcs
Shelf Support Pin



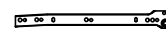
No. H
Quantity: 2Sets
Cam Bolt + Cam Nut



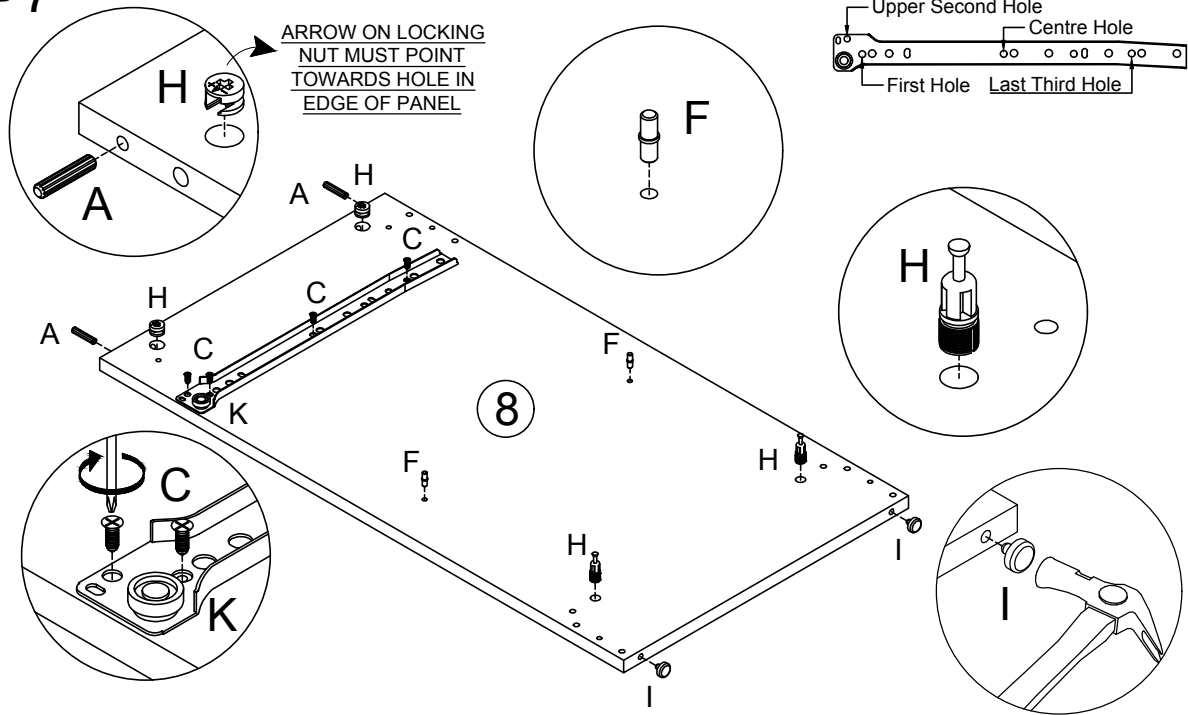
No. I
Quantity: 2Pcs
Pvc Glide



No. K
Quantity: 1Pc
Drawer Runner A-R



STEP 7



No. A
Quantity: 2Pcs
Dowel 6 X 30mm



No. C
Quantity: 4Pcs
Screw M3.5 X 12mm



No. F
Quantity: 2Pcs
Shelf Support Pin



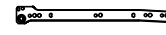
No. H
Quantity: 2Sets
Cam Bolt + Cam Nut



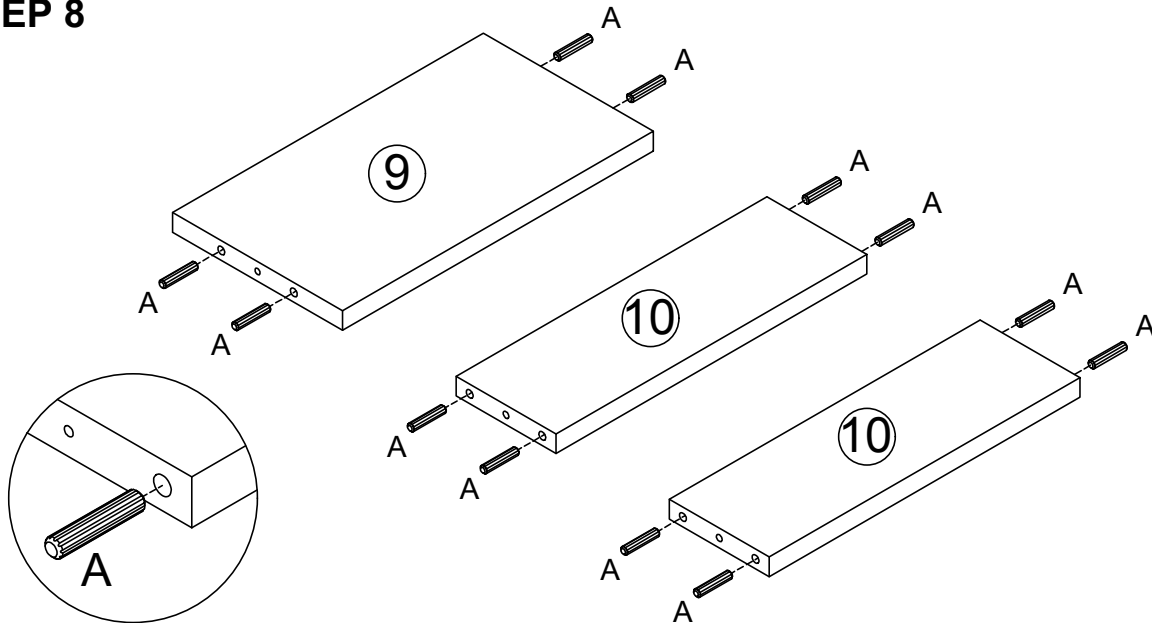
No. I
Quantity: 2Pcs
Pvc Glide



No. K
Quantity: 1Pc
Drawer Runner A-L



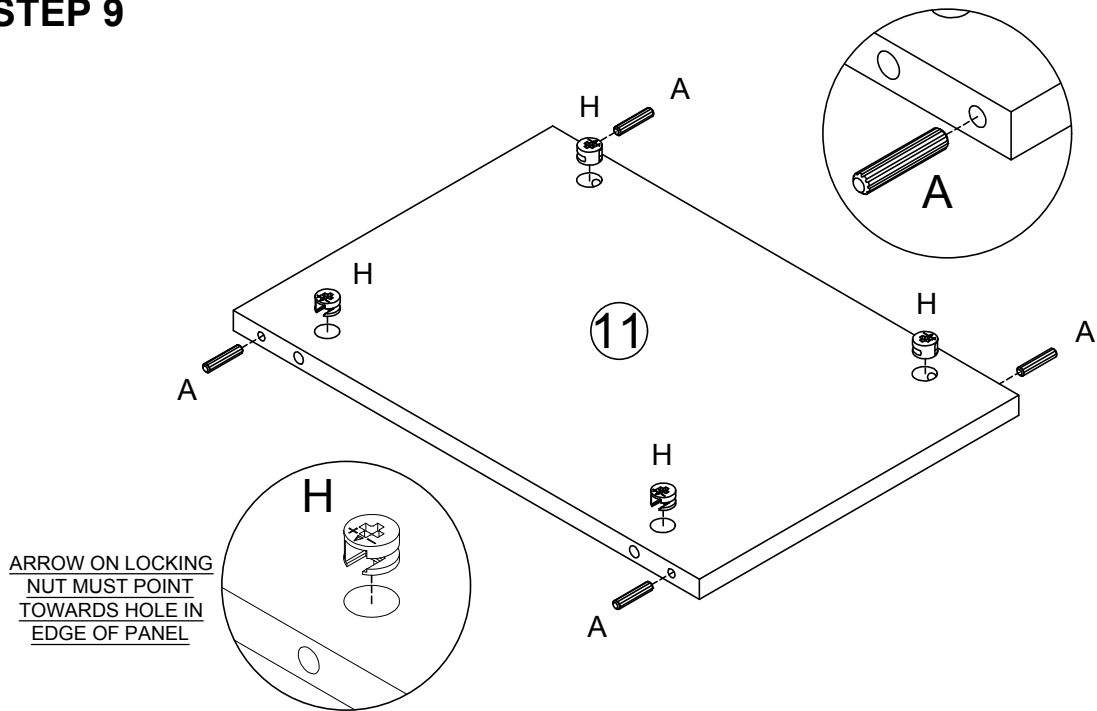
STEP 8



No. A
Quantity: 12Pcs
Dowel 6 X 30mm



STEP 9



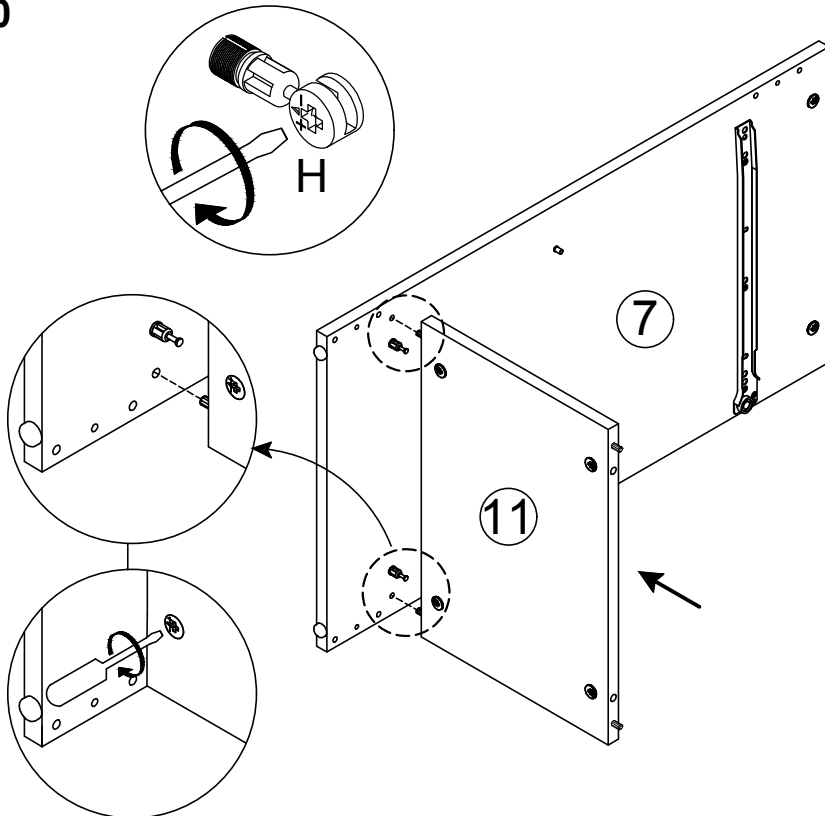
No. A
Quantity: 4Pcs
Dowel 6 X 30mm



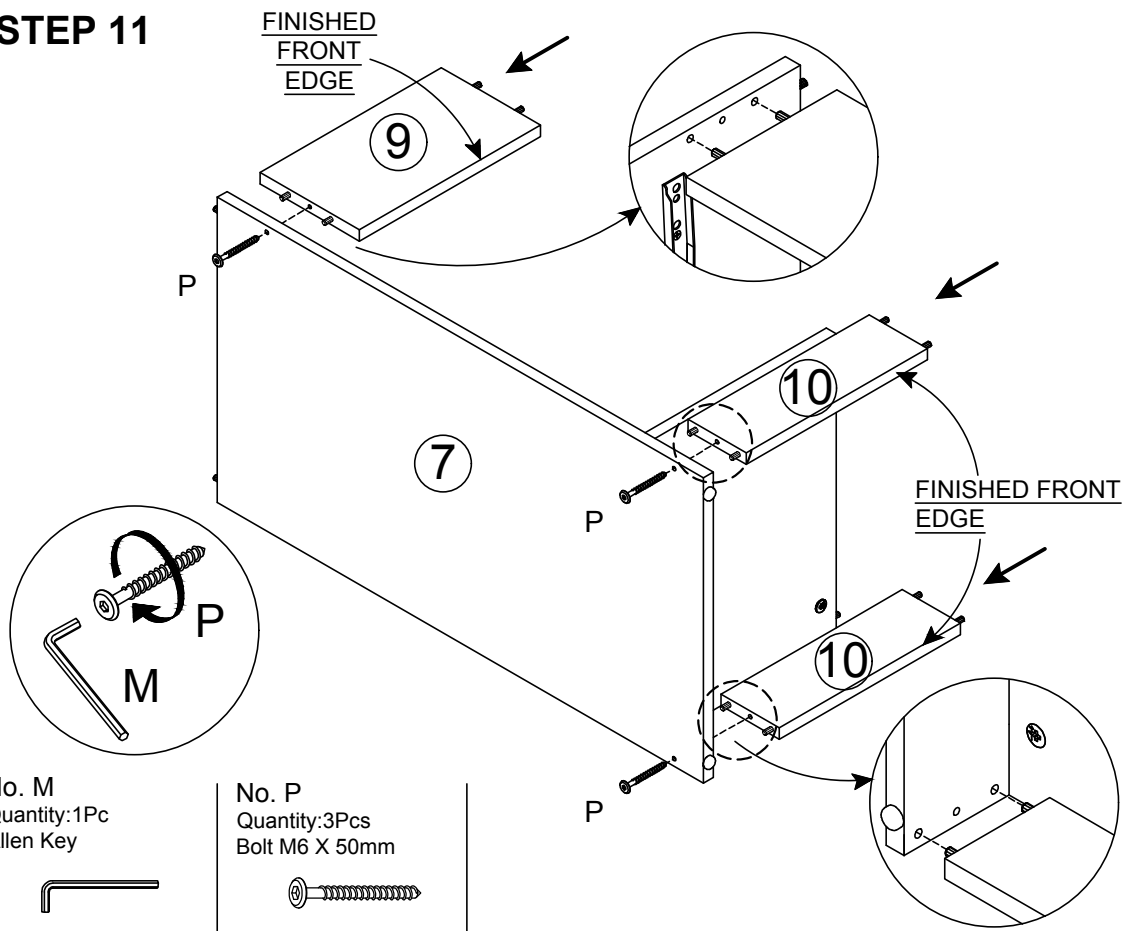
No. H
Quantity: 4Pcs
Cam Nut



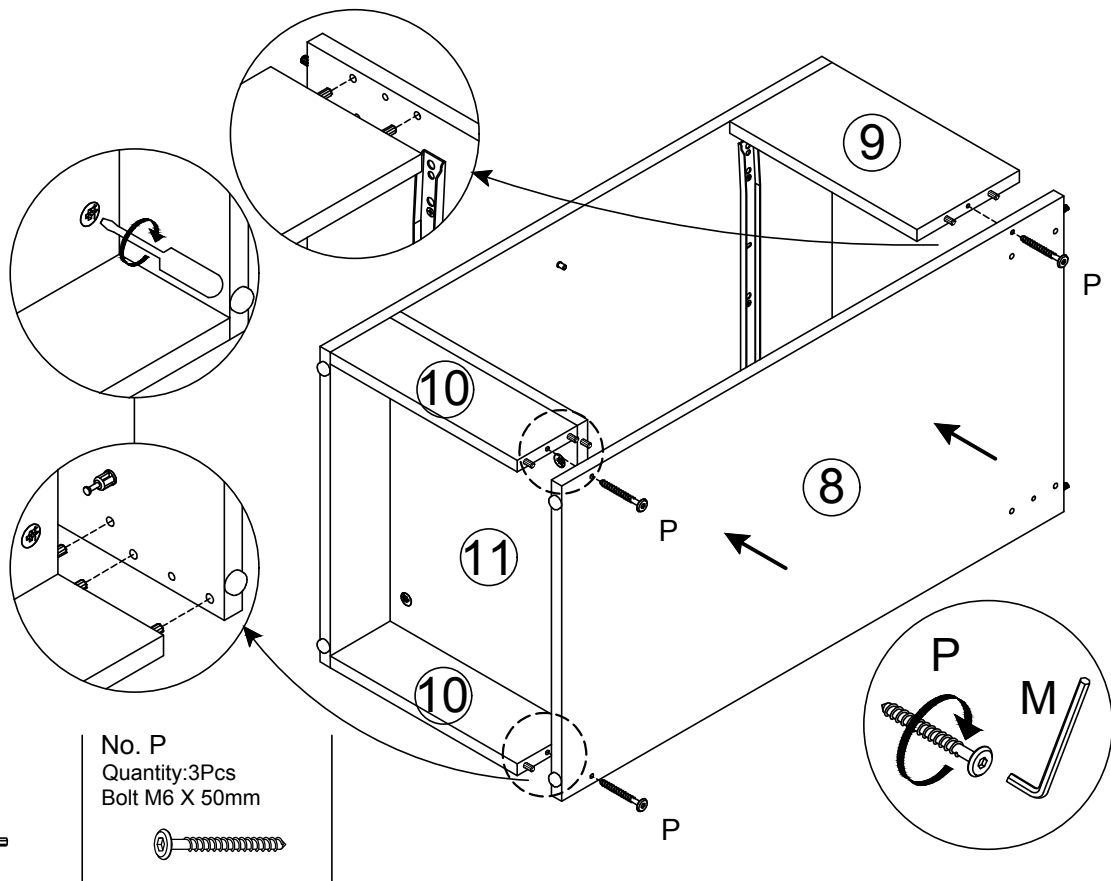
STEP 10



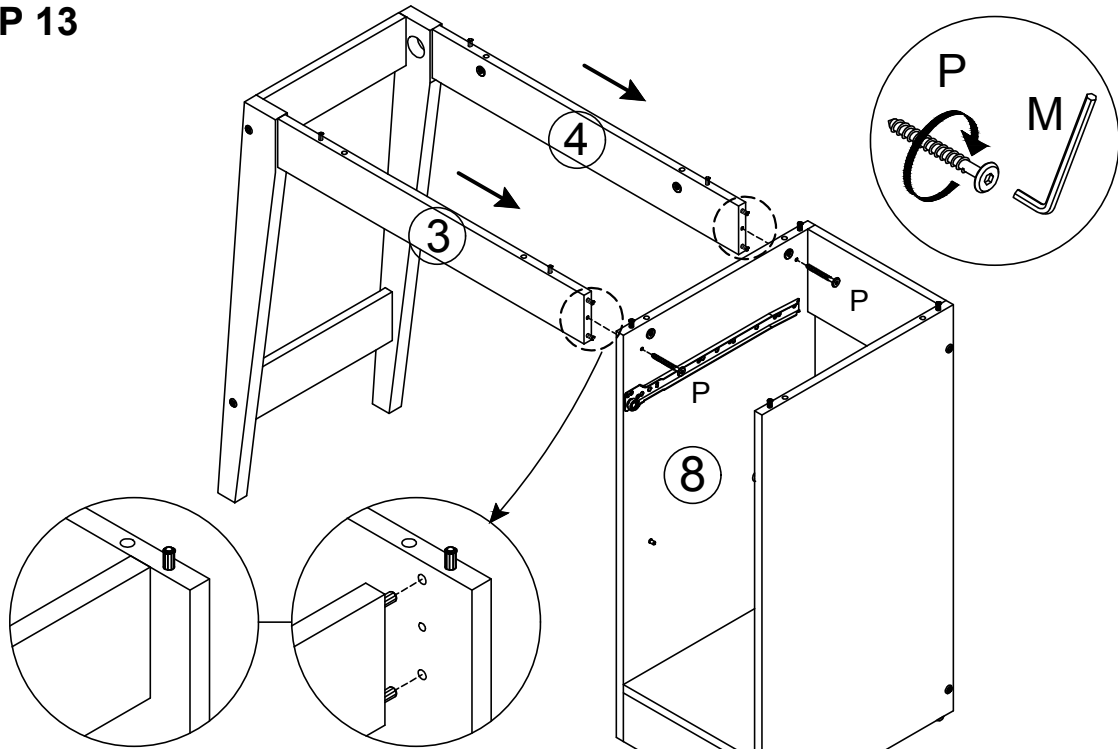
STEP 11



STEP 12



STEP 13



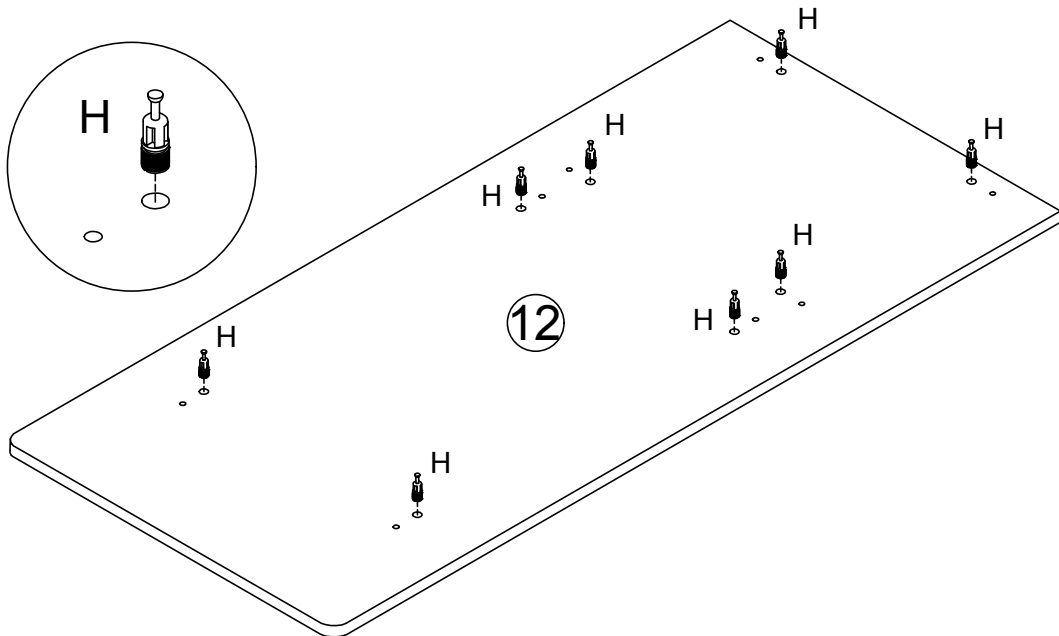
No. M
Quantity: 1Pc
Allen Key



No. P
Quantity: 2Pcs
Bolt M6 X 50mm



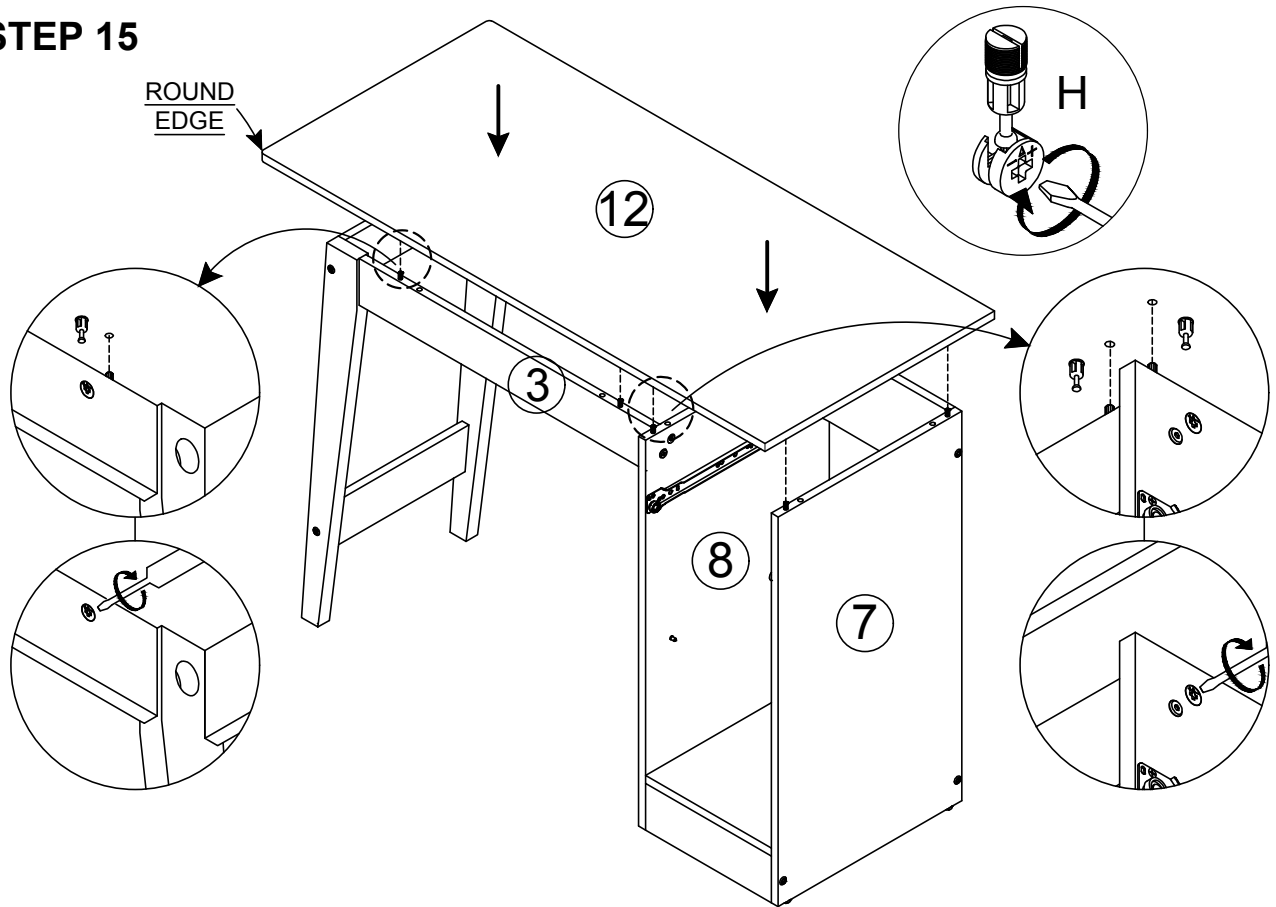
STEP 14



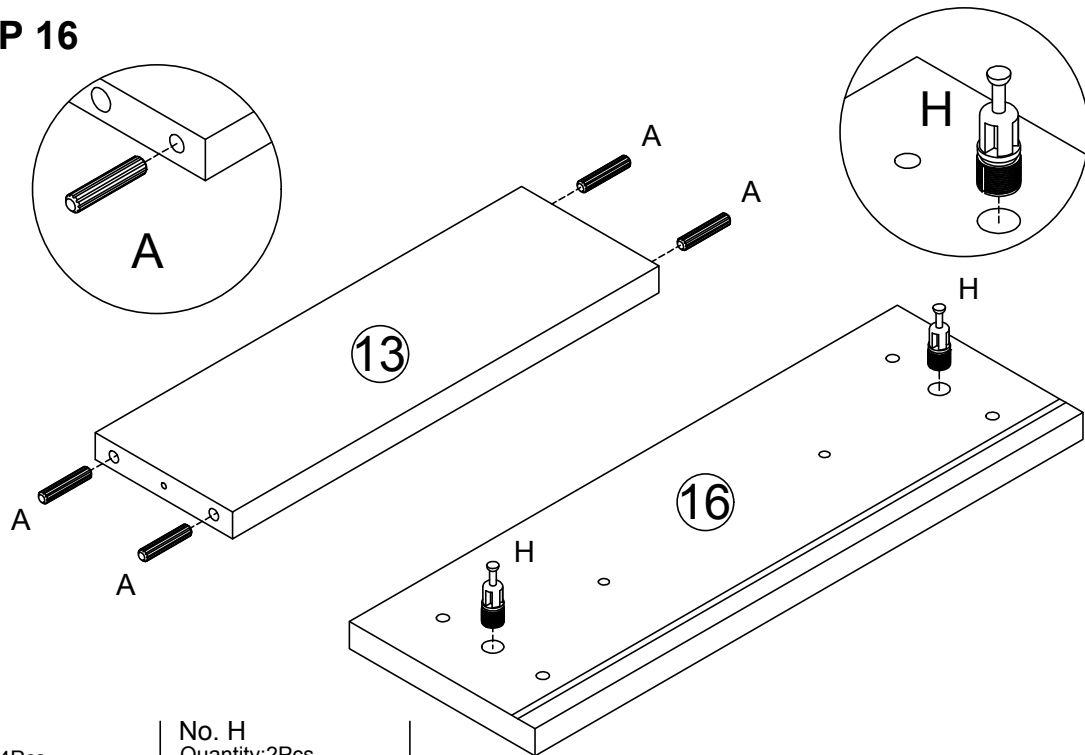
No. H
Quantity: 8Pcs
Cam Bolt



STEP 15



STEP 16



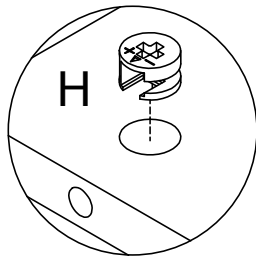
No. A
Quantity: 4Pcs
Dowel 6 X 30mm



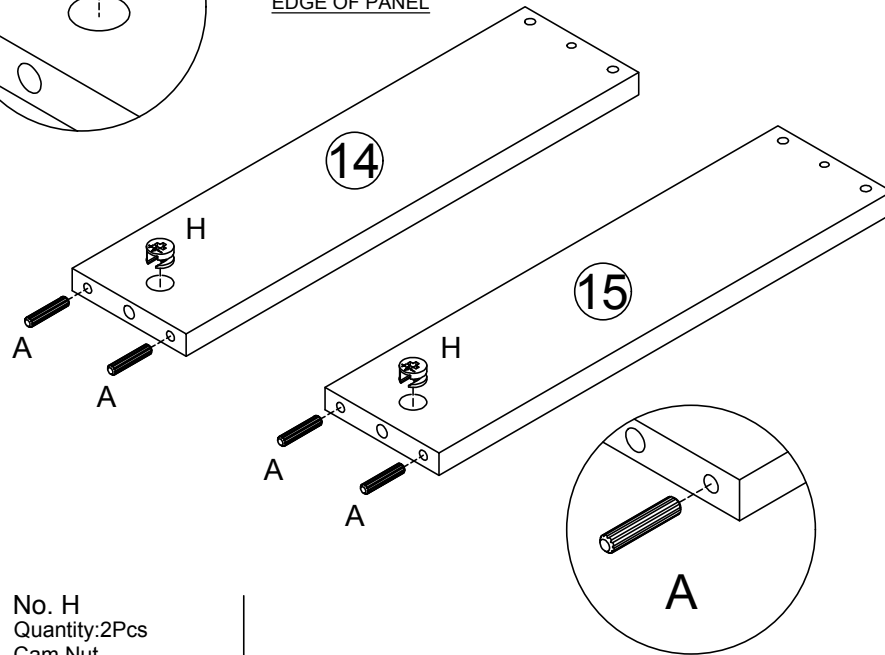
No. H
Quantity: 2Pcs
Cam Bolt



STEP 17



ARROW ON LOCKING NUT MUST POINT TOWARDS HOLE IN EDGE OF PANEL



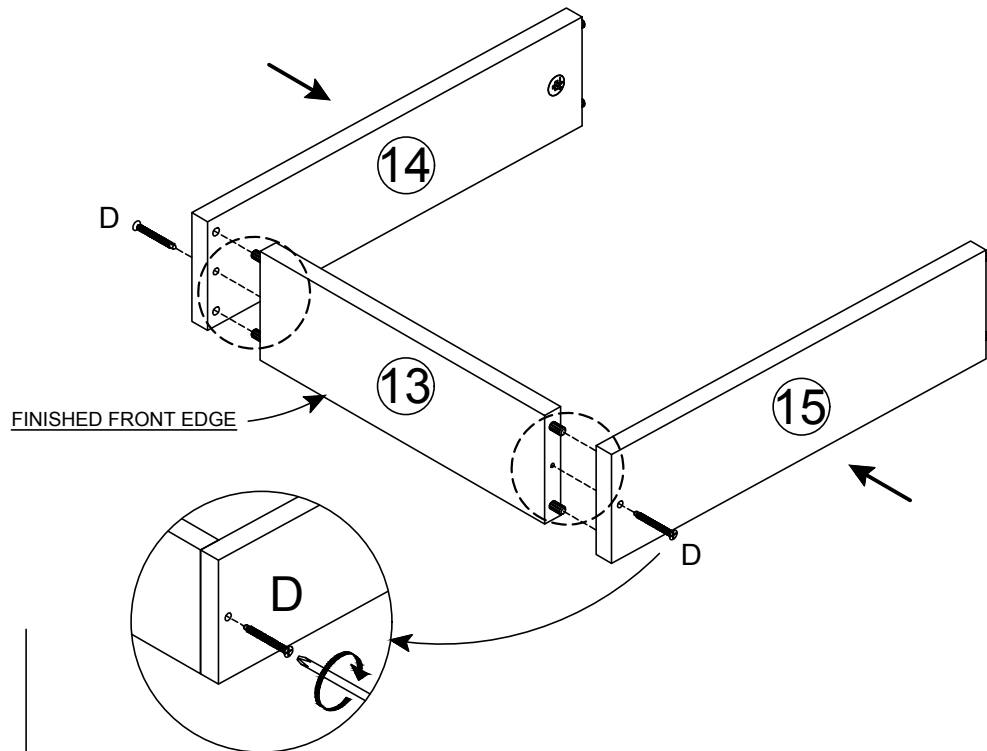
No. A
Quantity: 4Pcs
Dowel 6 X 30mm



No. H
Quantity: 2Pcs
Cam Nut



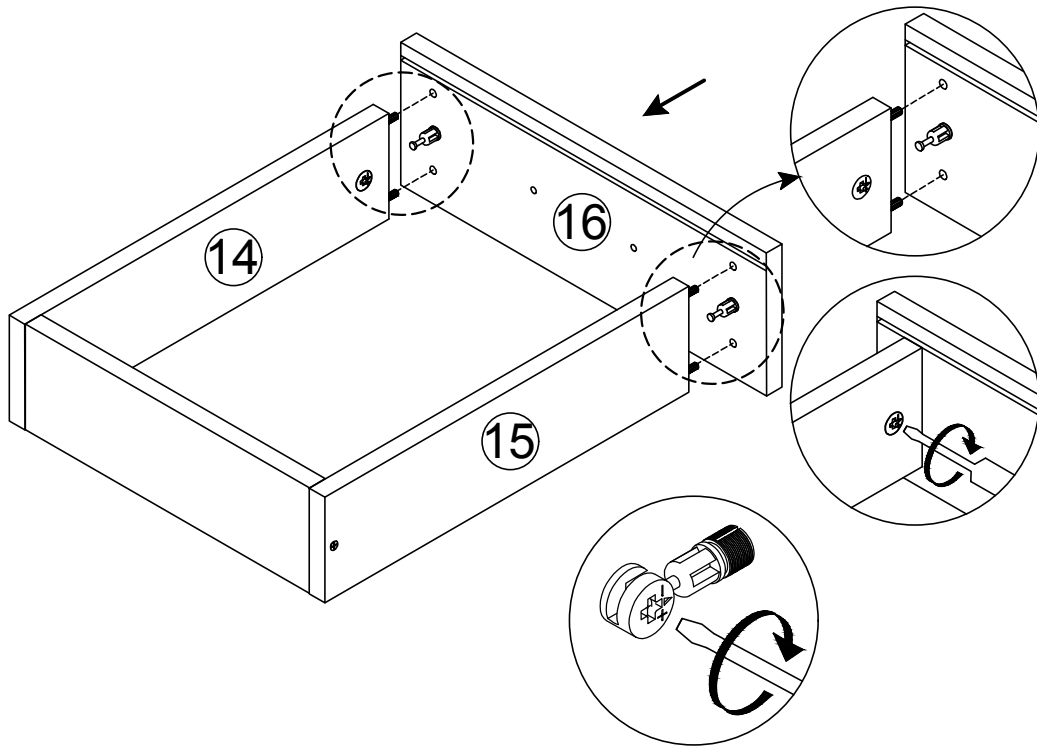
STEP 18



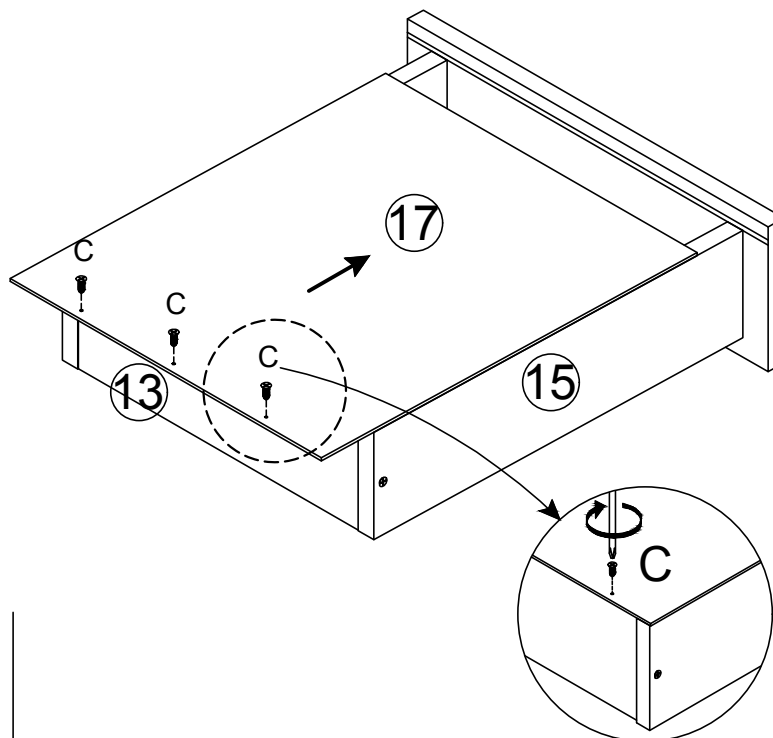
No. D
Quantity: 2Pcs
Screw M4 X 38mm



STEP 19



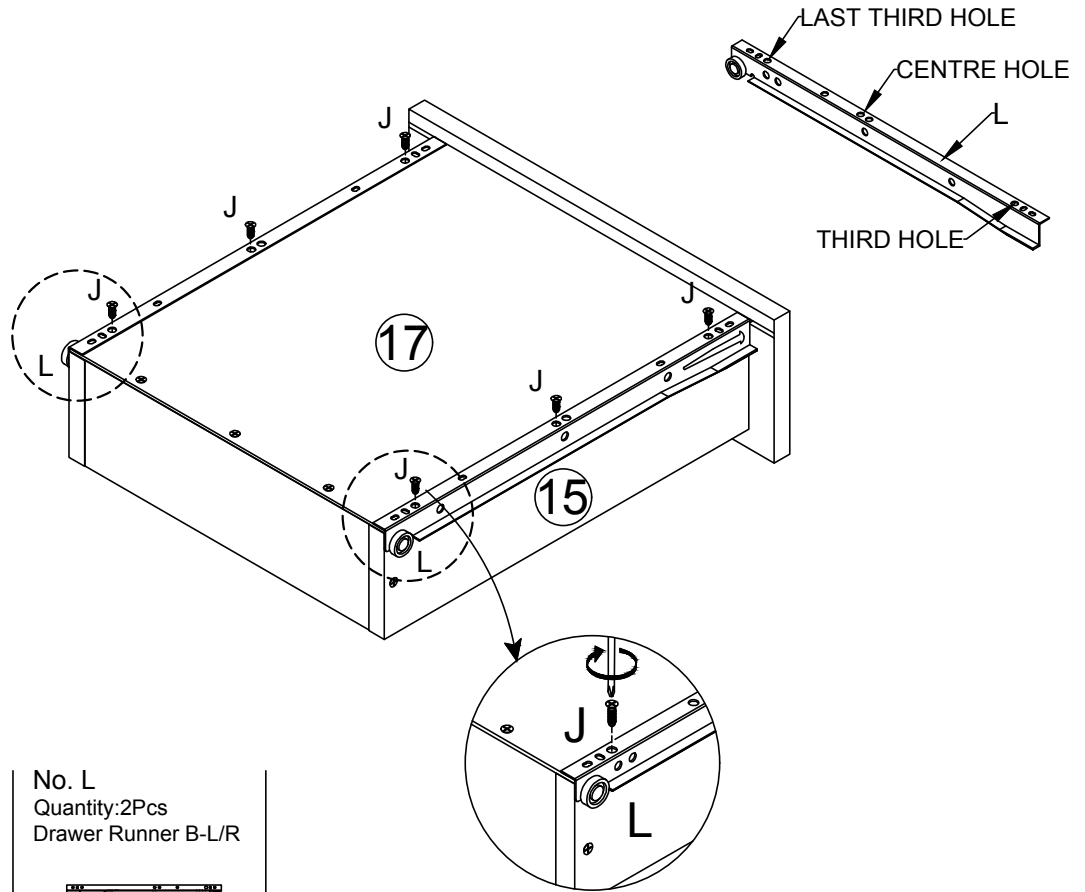
STEP 20



No. C
Quantity: 3Pcs
Screw M3.5 X 12mm



STEP 21



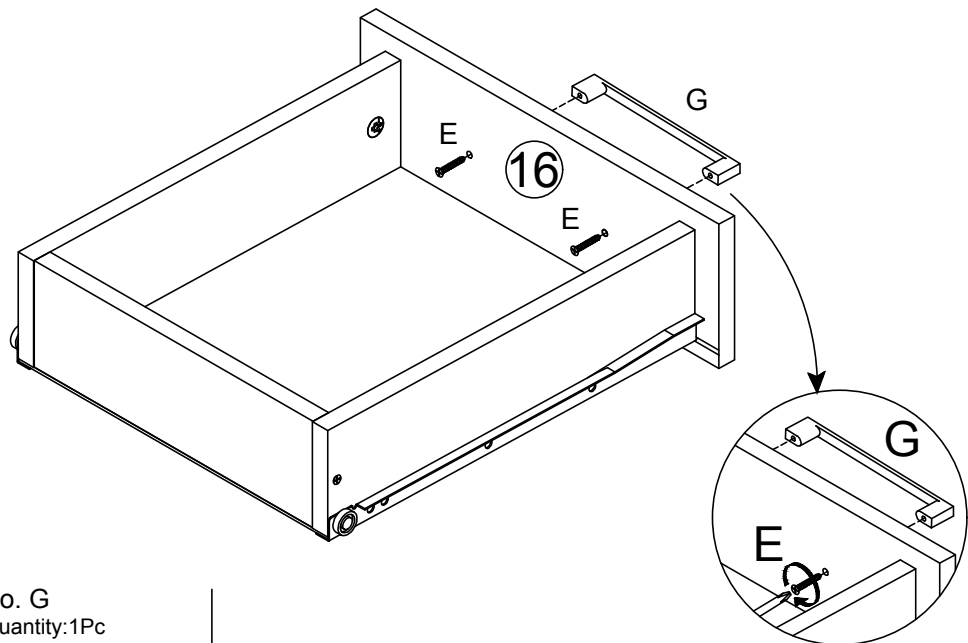
No. J
Quantity: 6Pcs
Screw M3.5 X 16mm



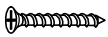
No. L
Quantity: 2Pcs
Drawer Runner B-L/R



STEP 22



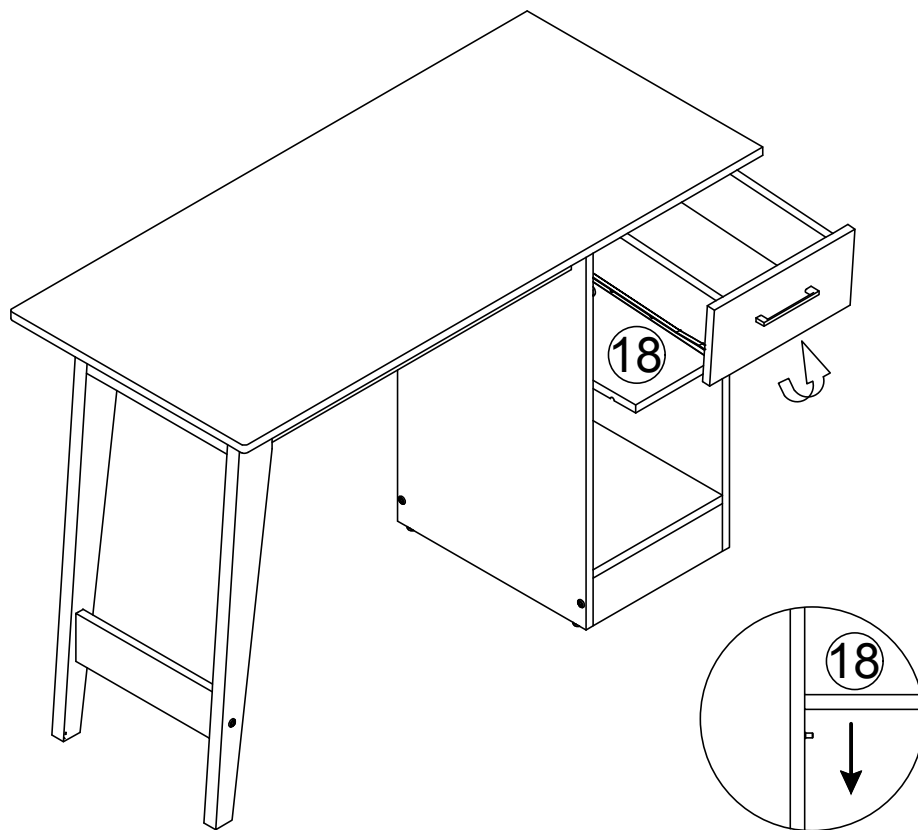
No. E
Quantity: 2Pcs
Screw M4 X 25mm



No. G
Quantity: 1Pc
Handle



STEP 23



STEP 24



lifely.com.au

Great job. You're done!

Don't forget to share how it looks in
your space and tag us on Instagram.
[@lifelyhome](https://www.instagram.com/lifelyhome) [#homewithlifely!](https://www.instagram.com/hashtag/homewithlifely)