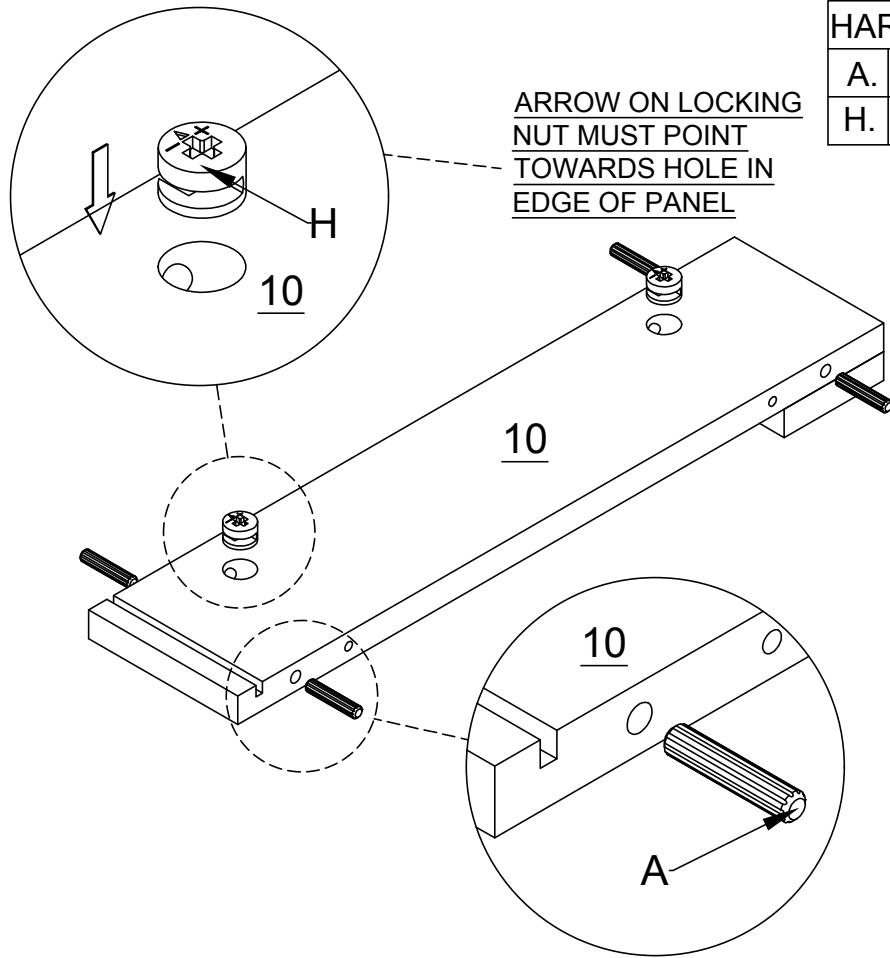


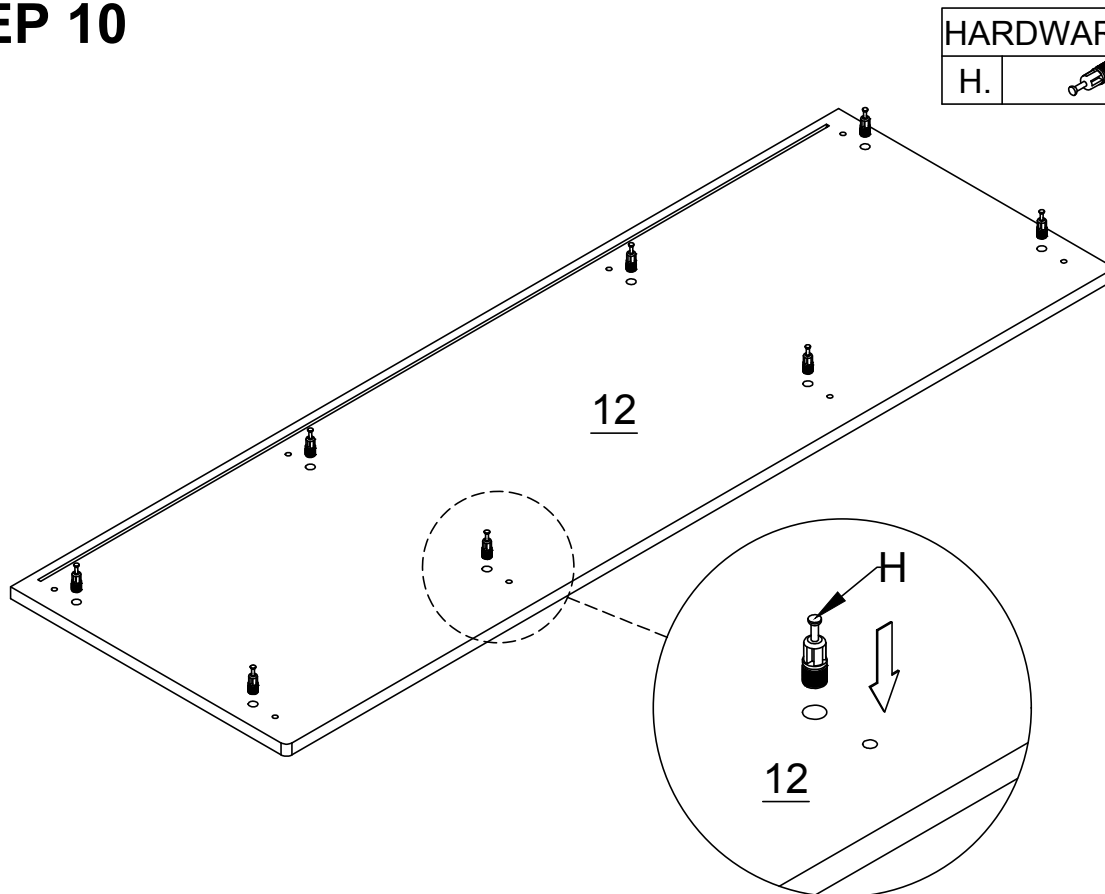


STEP 9



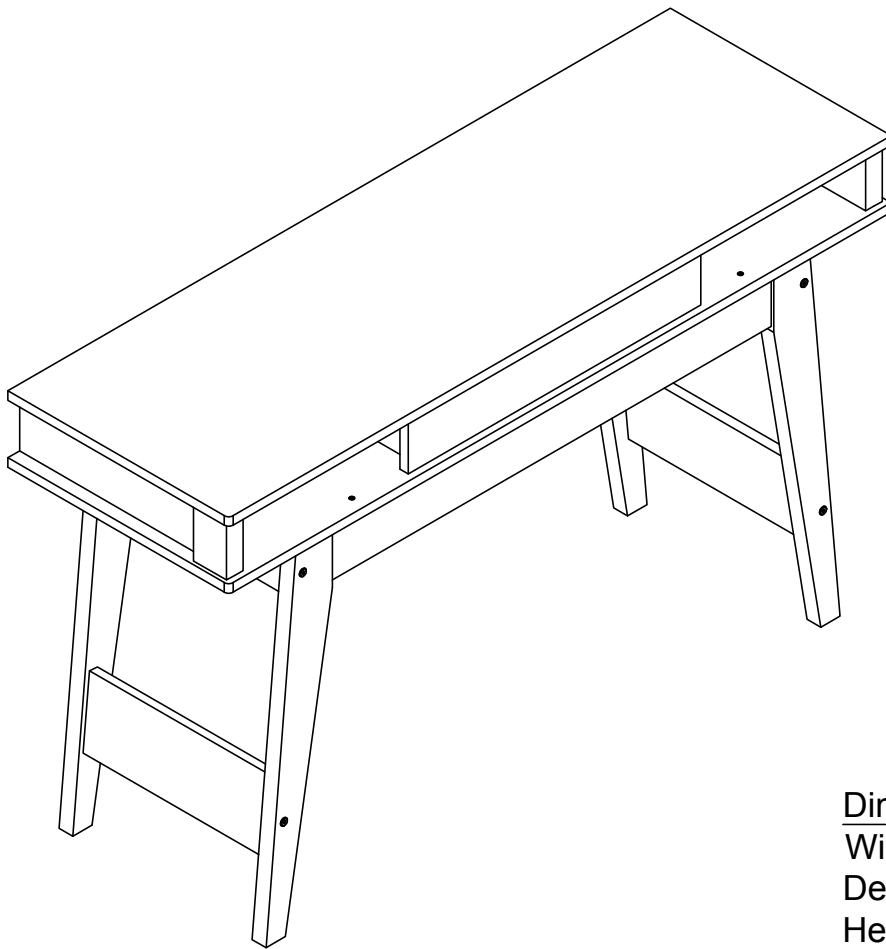
HARDWARE NEEDED:		
A.		4PCS
H.		2PCS

STEP 10



HARDWARE NEEDED:		
H.		8PCS

NOBU SERIES ASSEMBLY INSTRUCTION

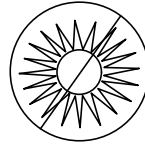
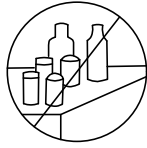


Dimensions
Width : 1200mm
Depth : 400mm
Height : 730mm

NB HT1275-OK HALLWAY TABLE

**IMPORTANT :-
PLEASE READ THESE INSTRUCTION CAREFULLY BEFORE STARTING ASSEMBLY.**

IMPORTANT TIPS AND MAINTENANCE

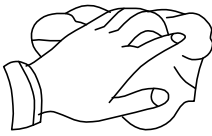


i) Keep children and animal away from working area because smaller part could choke if swallowed.

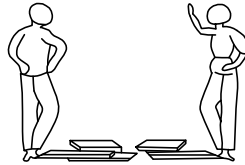
ii) Never put the liquid or damp on the furniture.

iii) To avoid dulling, do not place directly to the sunlight.

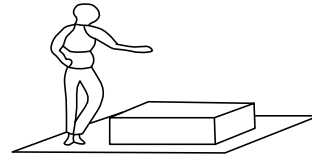
iv) Never use ammonia cleaning product, because it will damage to finish.



v) Use a soft or damp cloth (dry cloth) and then wipe to clean on the surface.



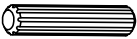


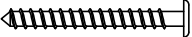

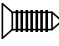
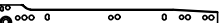
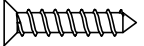




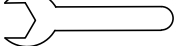
vi) Two person are required.



vii) Put the soft mat on the floor to protect the furniture before assembly.

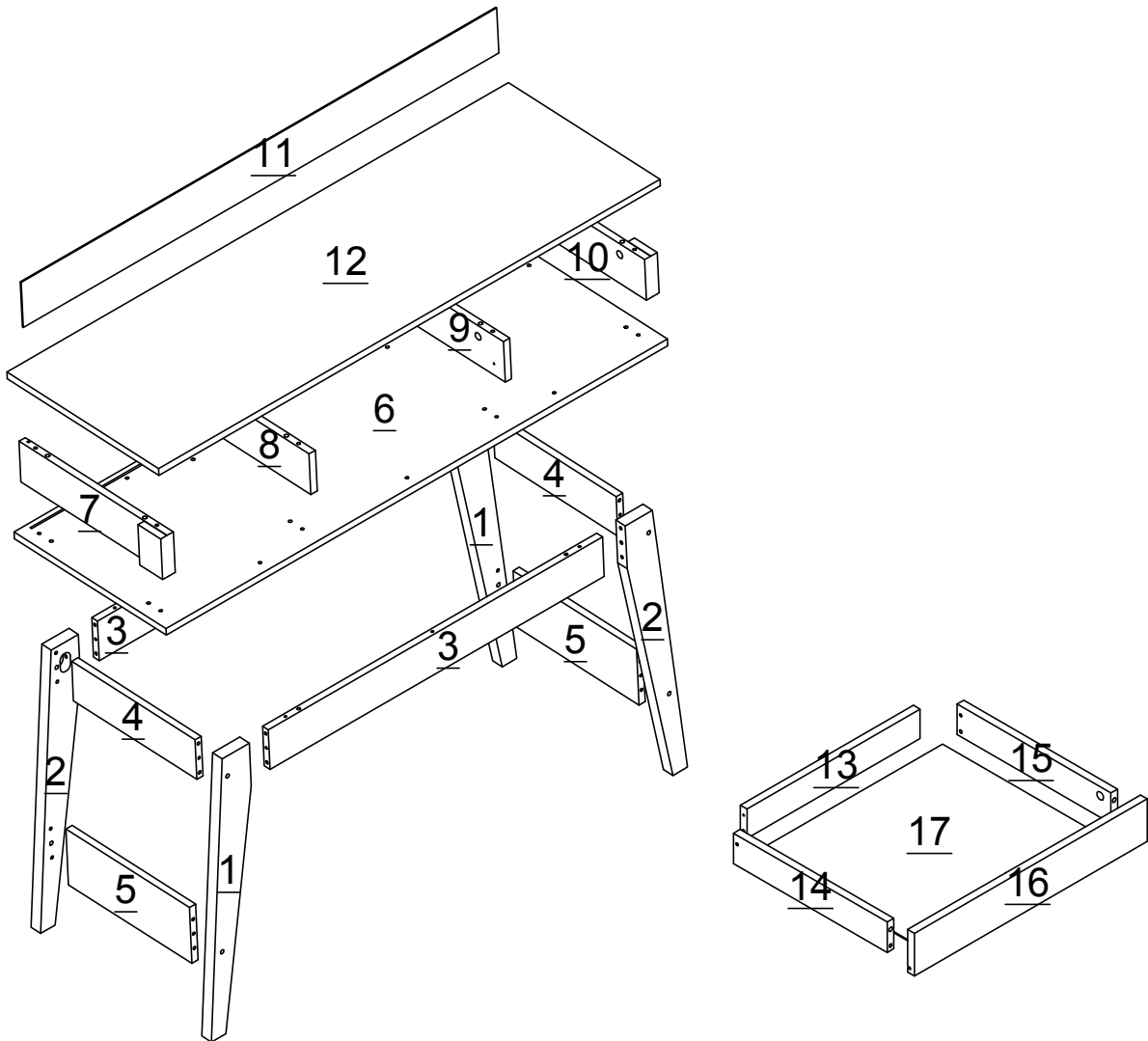
COMPONENTS :- HARDWARE

Please check you have all the fittings part or tools are listed in below.

NO.	FITTINGS/TOOLS	QTY	NO.	FITTINGS/TOOLS	QTY	NO.	FITTINGS/TOOLS	QTY
A.	 DOWEL 6x30MM	48 Pcs	G.	 PVC GLIDE	4 Pcs	M.	 FLANGE NUT	4 Pcs
B.	 BOLT M7x60MM	8 Pcs	H.	 CAM BOLT+CAM NUT	10 Sets			
C.	 SCREW M3.5x12MM	12 Pcs	I.	 DRAWER RUNNER A-L/R	2 Pcs			
D.	 SCREW M4x38MM	2 Pcs	J.	 DRAWER RUNNER B - L/R	2 Pcs			
E.	 SCREW M3.5x16MM	6 Pcs	K.	 ALLEN KEY	1 Pc			
F.	 M6X50MM	14 Pcs	L.	 SPANNER	1 Pc			

COMPONENTS :-
PANELS

Please check you have all the panels are listed below.

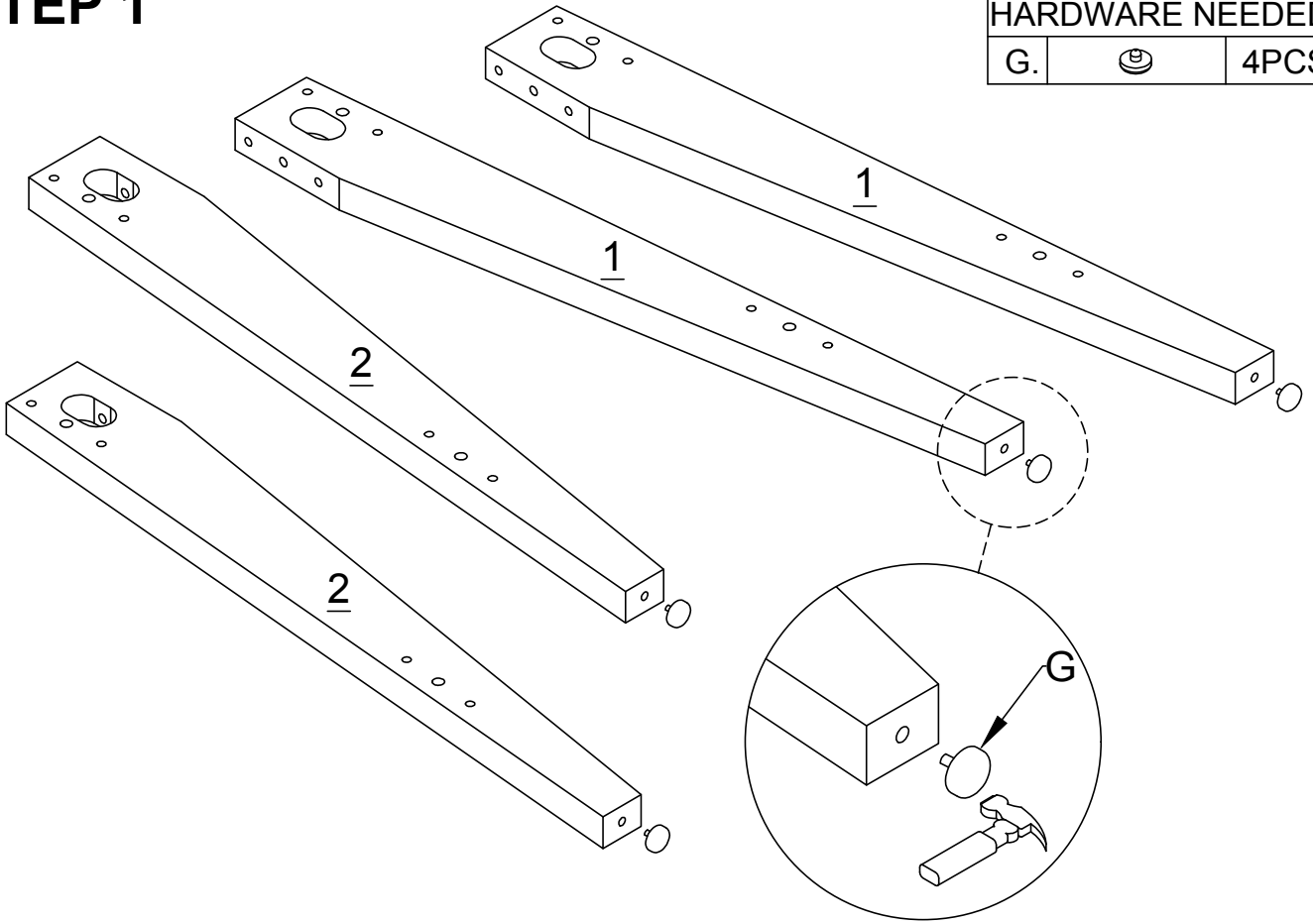


PART LIST

1	PILLAR LEG_L	2pcs	13	DRAWER BACK	1pc
2	PILLAR LEG_R	2pcs	14	DRAWER SIDE_L	1pc
3	LEG SUPPORT_F&B	2pcs	15	DRAWER SIDE_R	1pc
4	LEG SUPPORT_L&R	2pcs	16	DRAWER FRONT	1pc
5	BOTTOM LEG SUPPORT	2pcs	17	DRAWER BASE	1pc
6	BOTTOM PANEL	1pc			
7	SIDE PANEL_L	1pc			
8	CENTRE PANEL_1	1pc			
9	CENTRE PANEL_2	1pc			
10	SIDE PANEL_R	1pc			
11	BACK PANEL	1pc			
12	TOP PANEL	1pc			

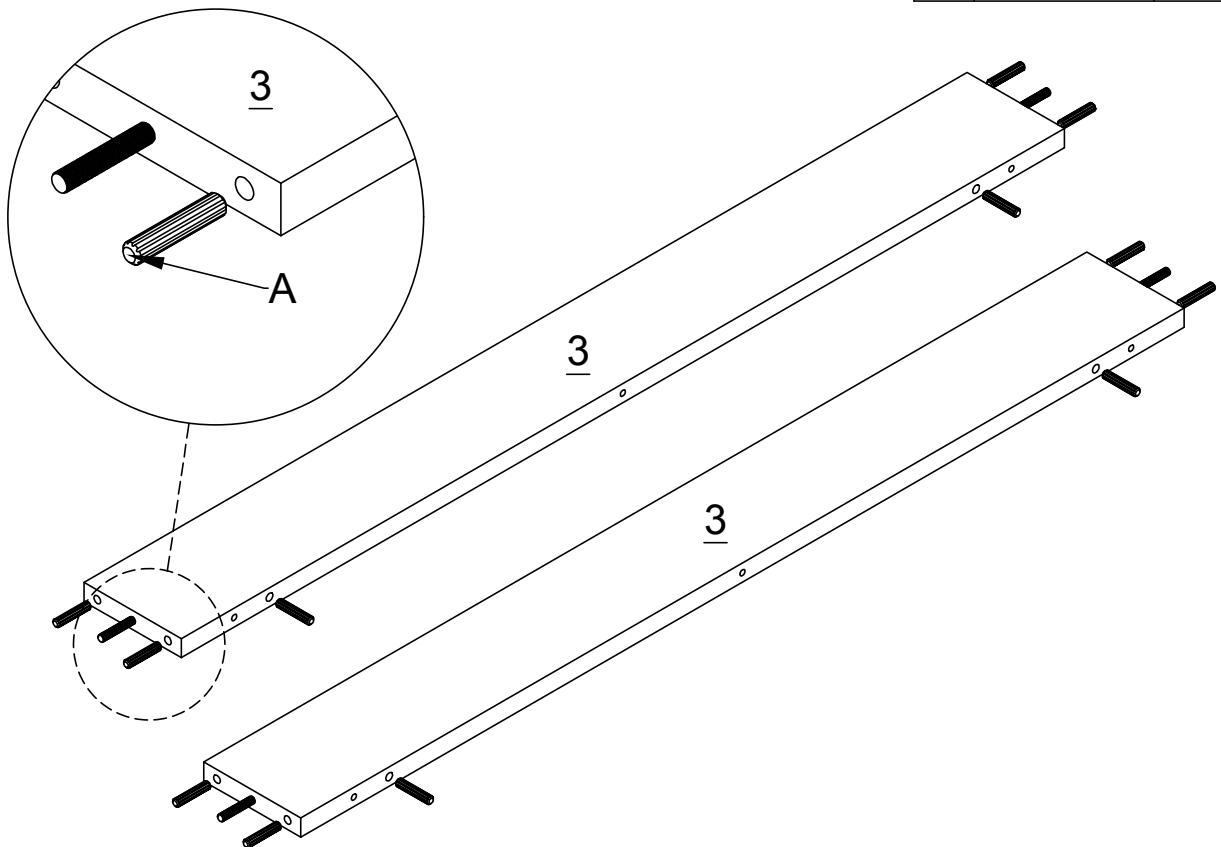
STEP 1

HARDWARE NEEDED:		
G.		4PCS



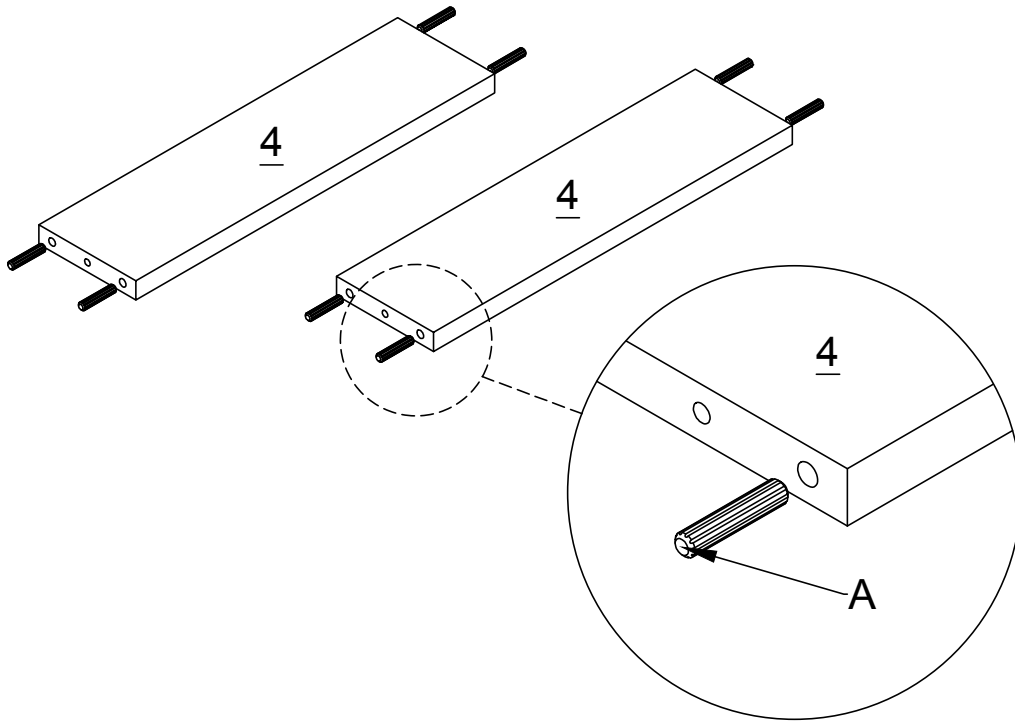
STEP 2

HARDWARE NEEDED:		
A.		12PCS



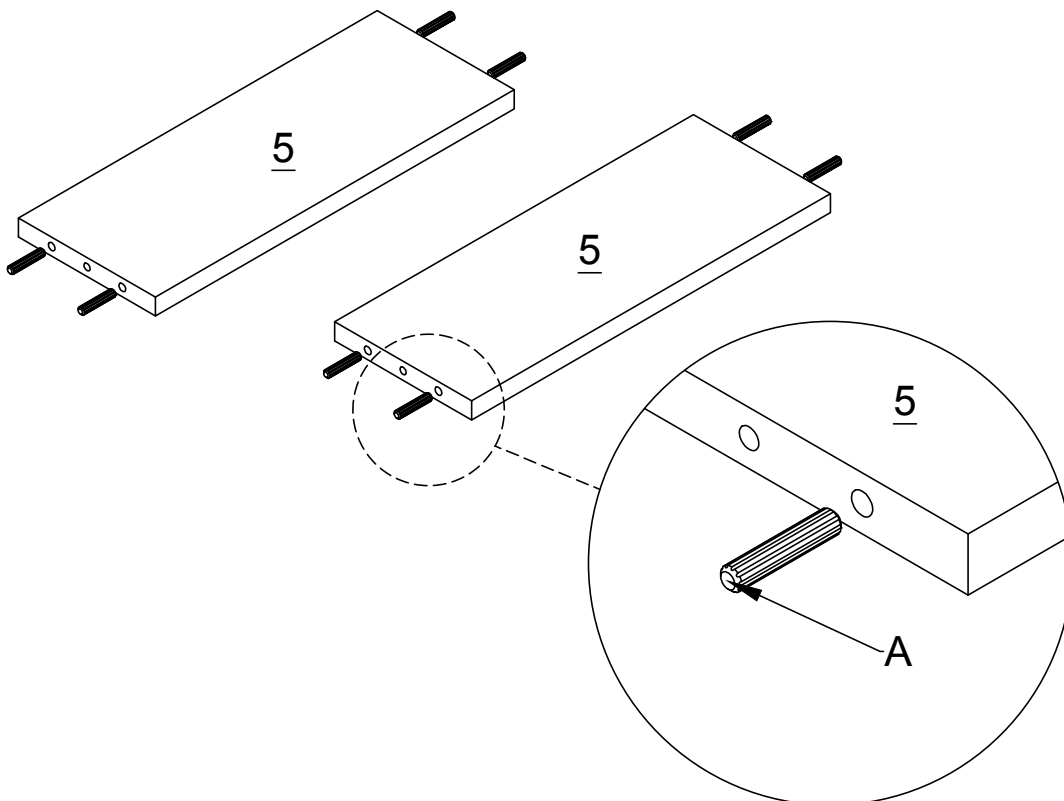
STEP 3

HARDWARE NEEDED:		
A.		8PCS

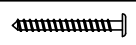

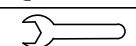



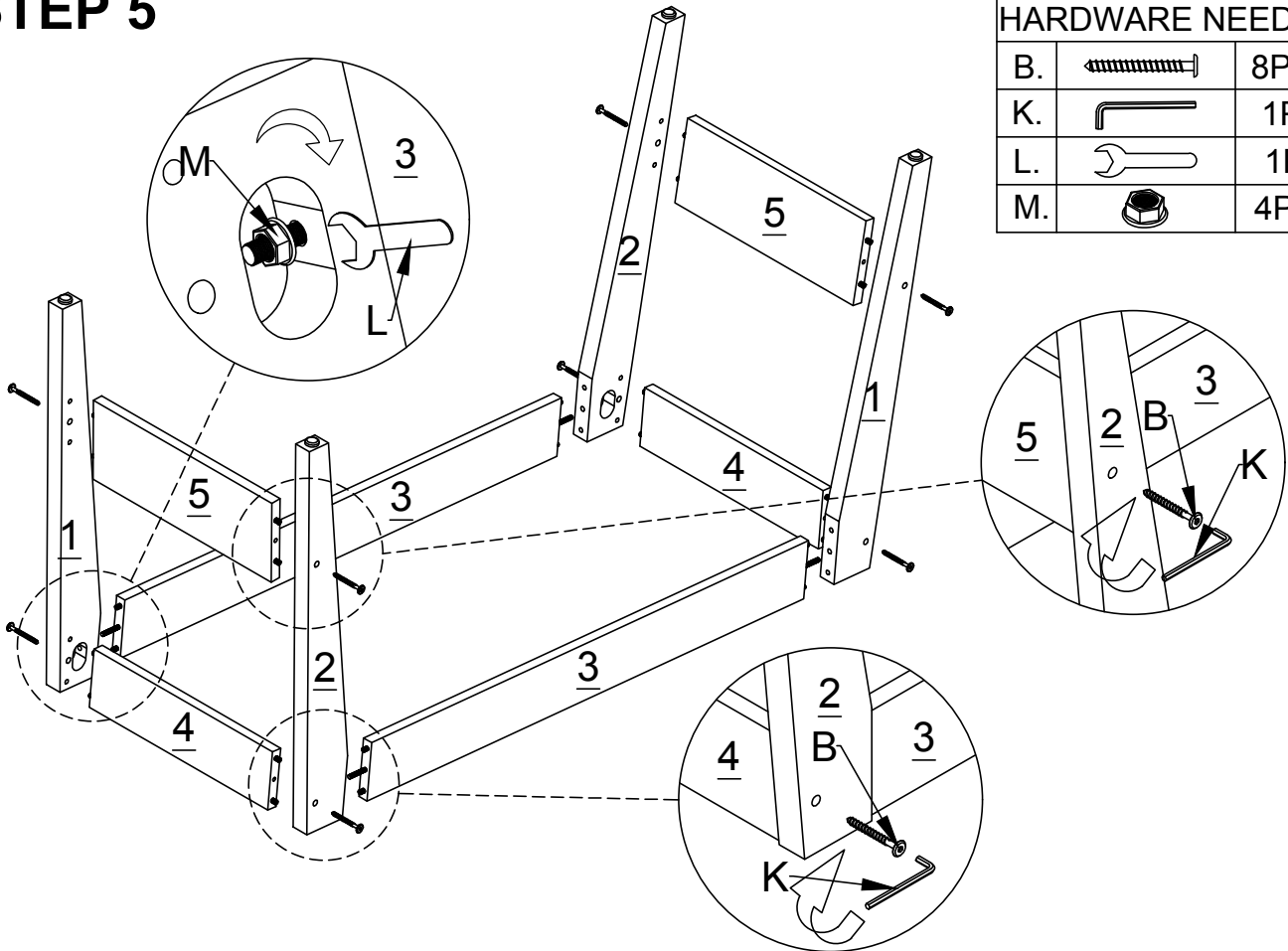
STEP 4

HARDWARE NEEDED:		
A.		8PCS

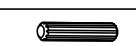



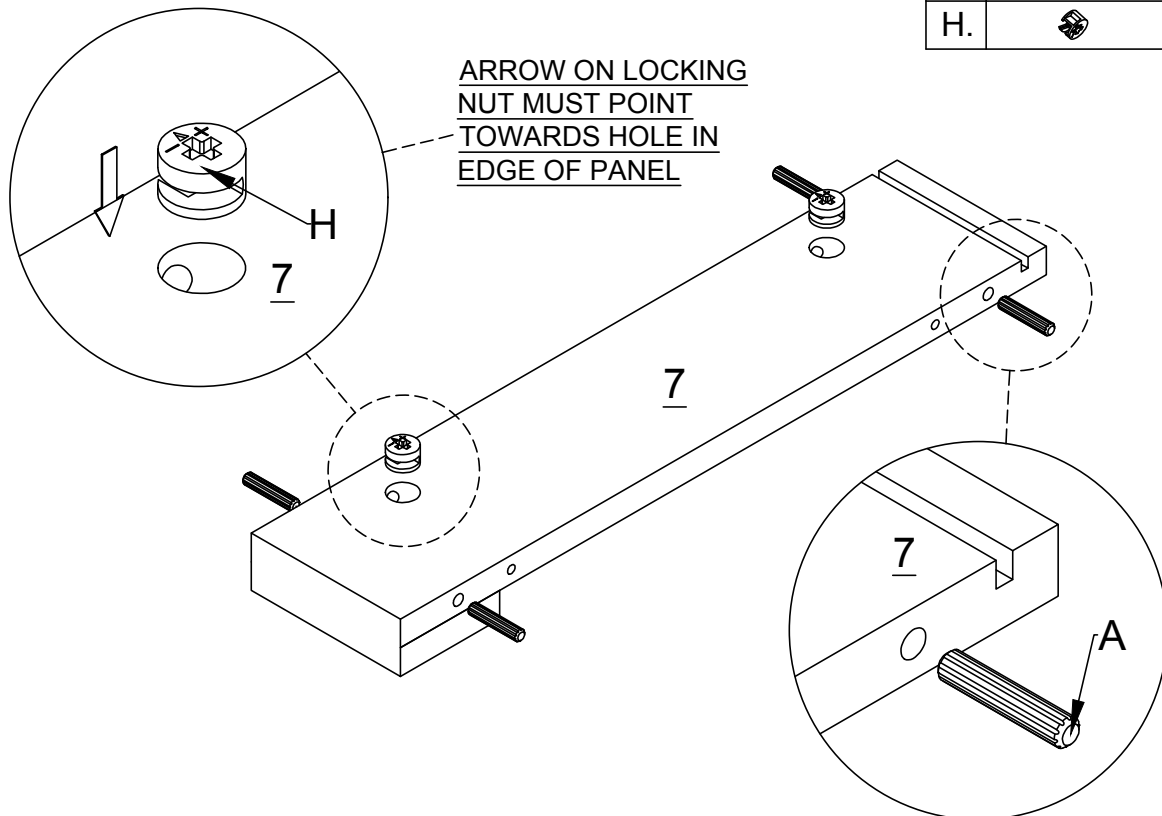
STEP 5

HARDWARE NEEDED:		
B.		8PCS
K.		1PC
L.		1PC
M.		4PCS






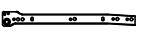
STEP 6

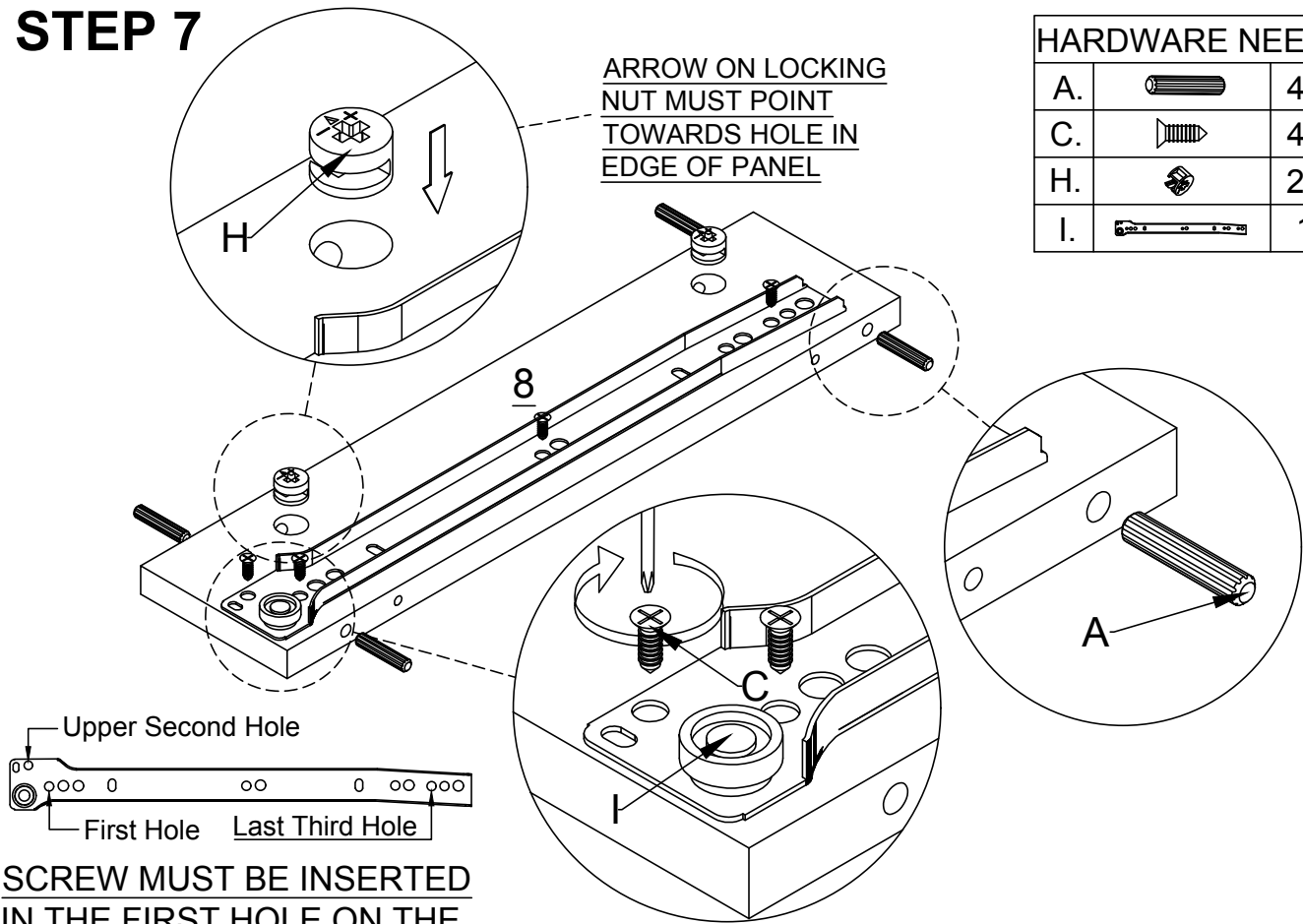
HARDWARE NEEDED:		
A.		4PCS
H.		2PCS



STEP 7

ARROW ON LOCKING NUT MUST POINT TOWARDS HOLE IN EDGE OF PANEL




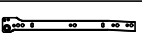
HARDWARE NEEDED:		
A.		4PCS
C.		4PCS
H.		2PCS
I.		1PC

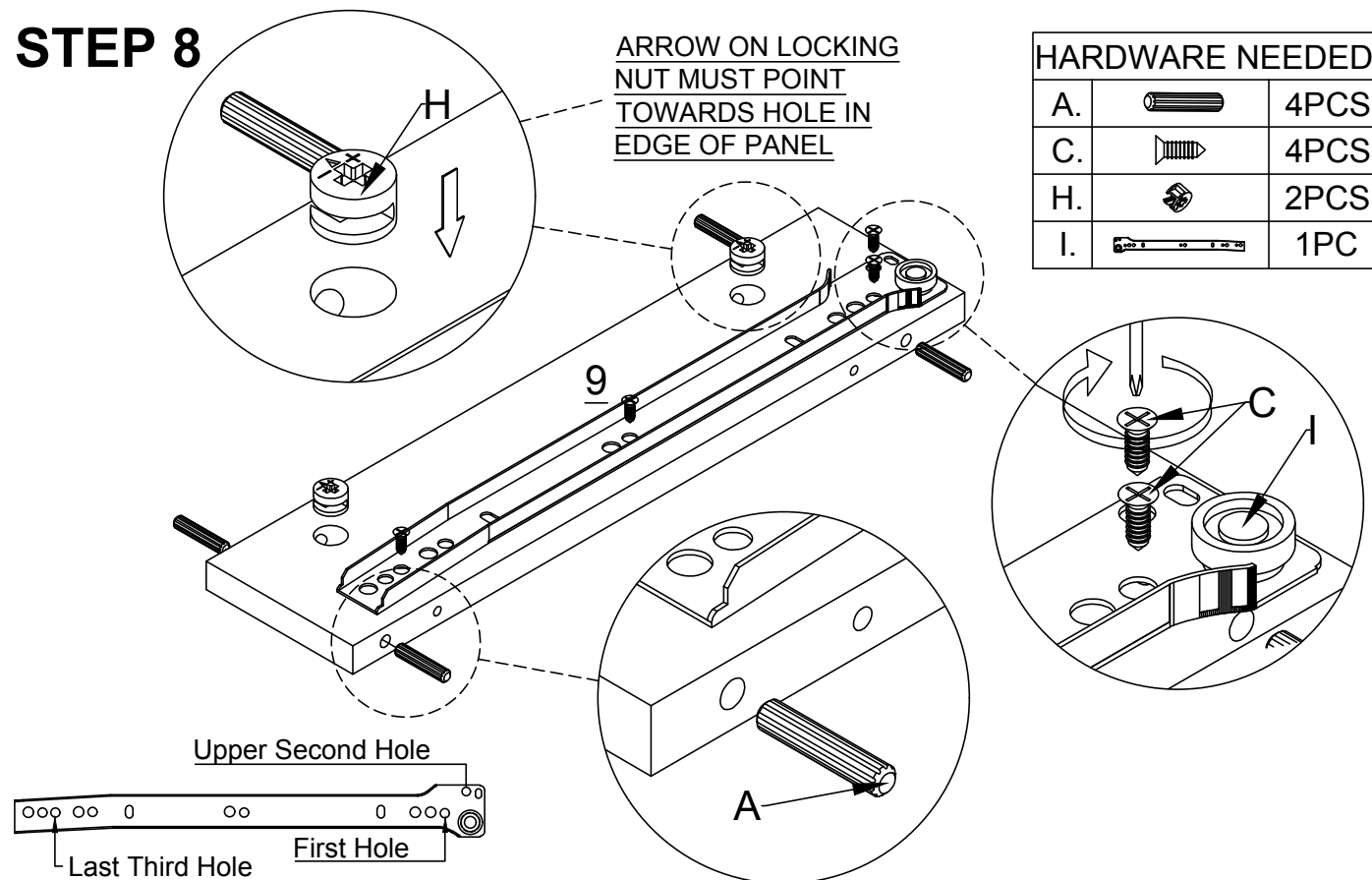


SCREW MUST BE INSERTED IN THE FIRST HOLE ON THE DRAWER RUNNER

STEP 8

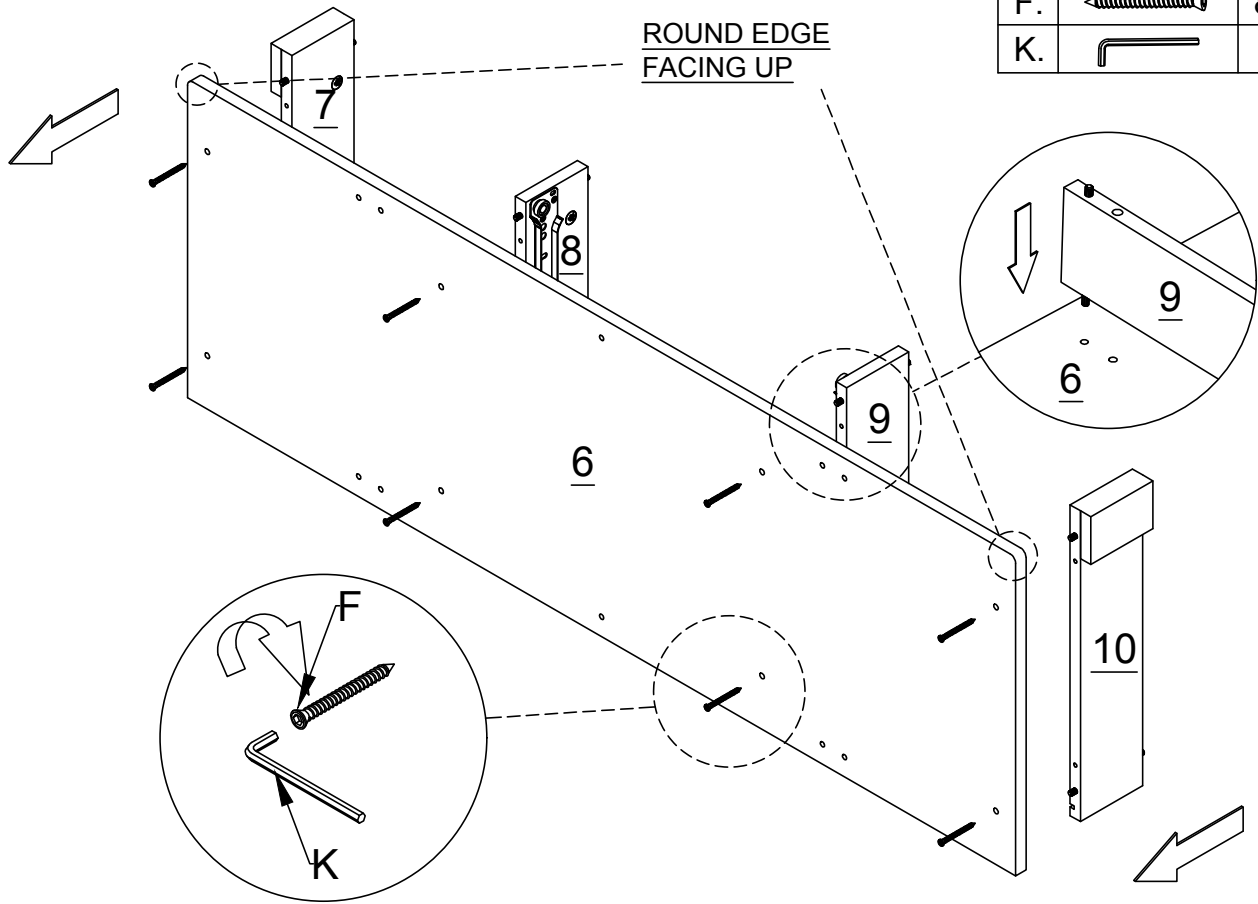
ARROW ON LOCKING NUT MUST POINT TOWARDS HOLE IN EDGE OF PANEL

HARDWARE NEEDED:		
A.		4PCS
C.		4PCS
H.		2PCS
I.		1PC





SCREW MUST BE INSERTED IN THE FIRST HOLE ON THE DRAWER RUNNER

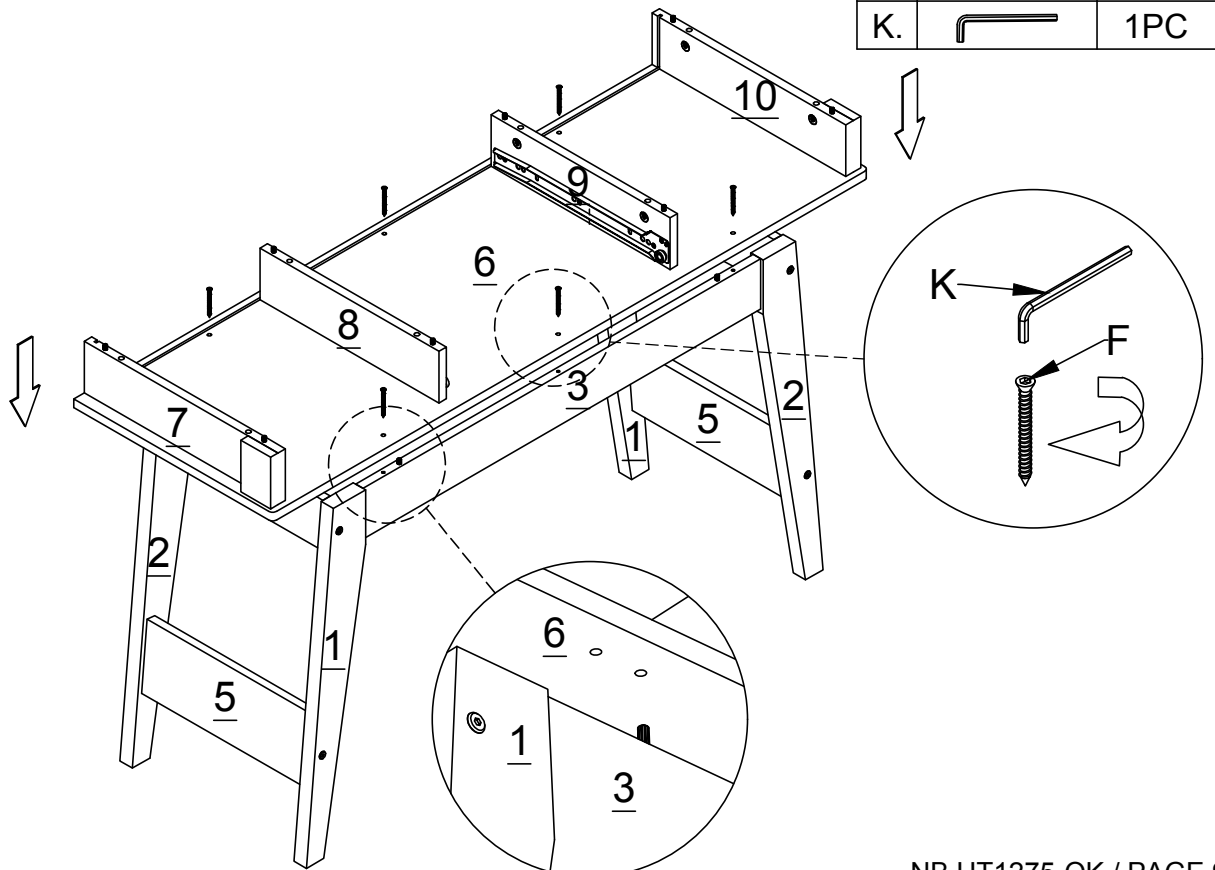
STEP 11





HARDWARE NEEDED:

F.		8PCS
K.		1PC

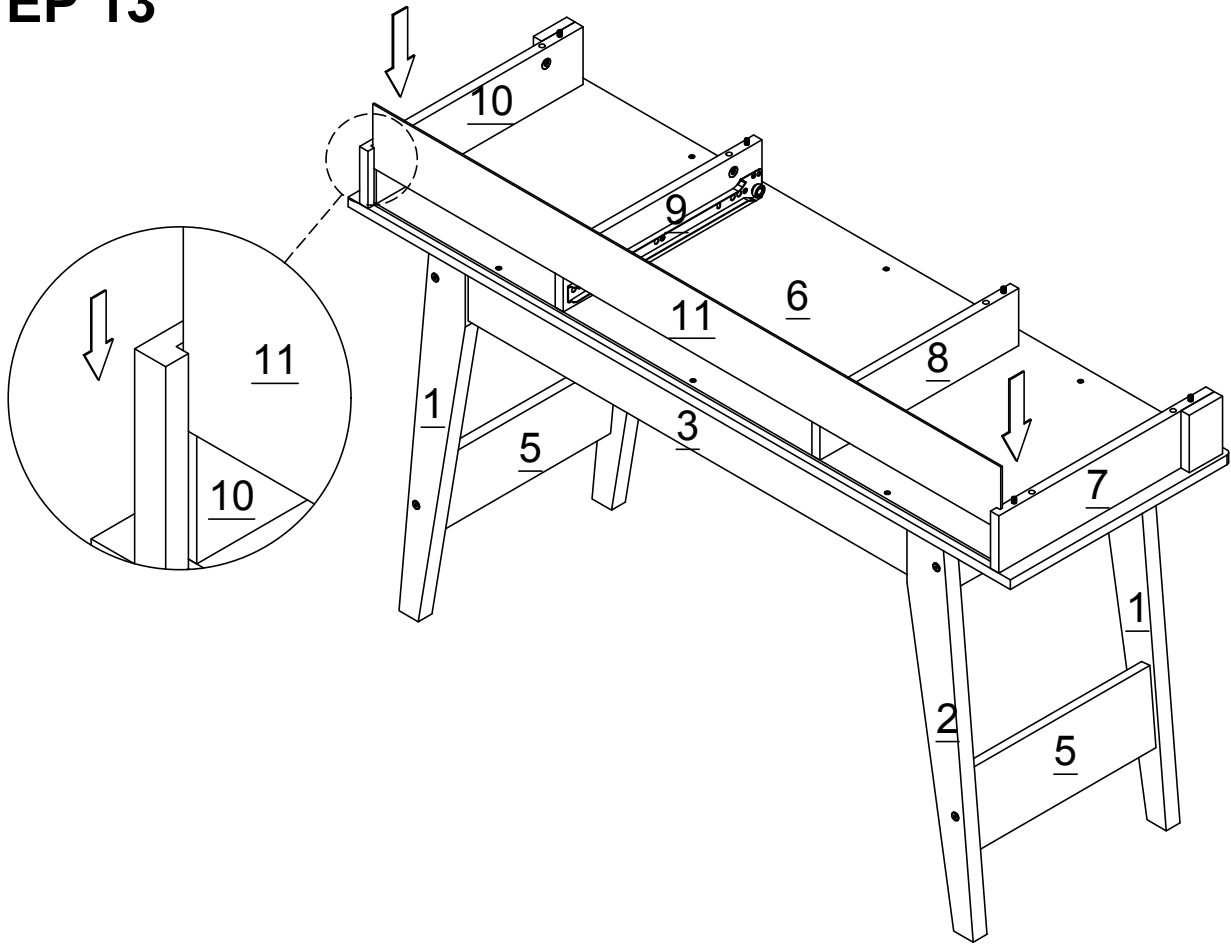
STEP 12



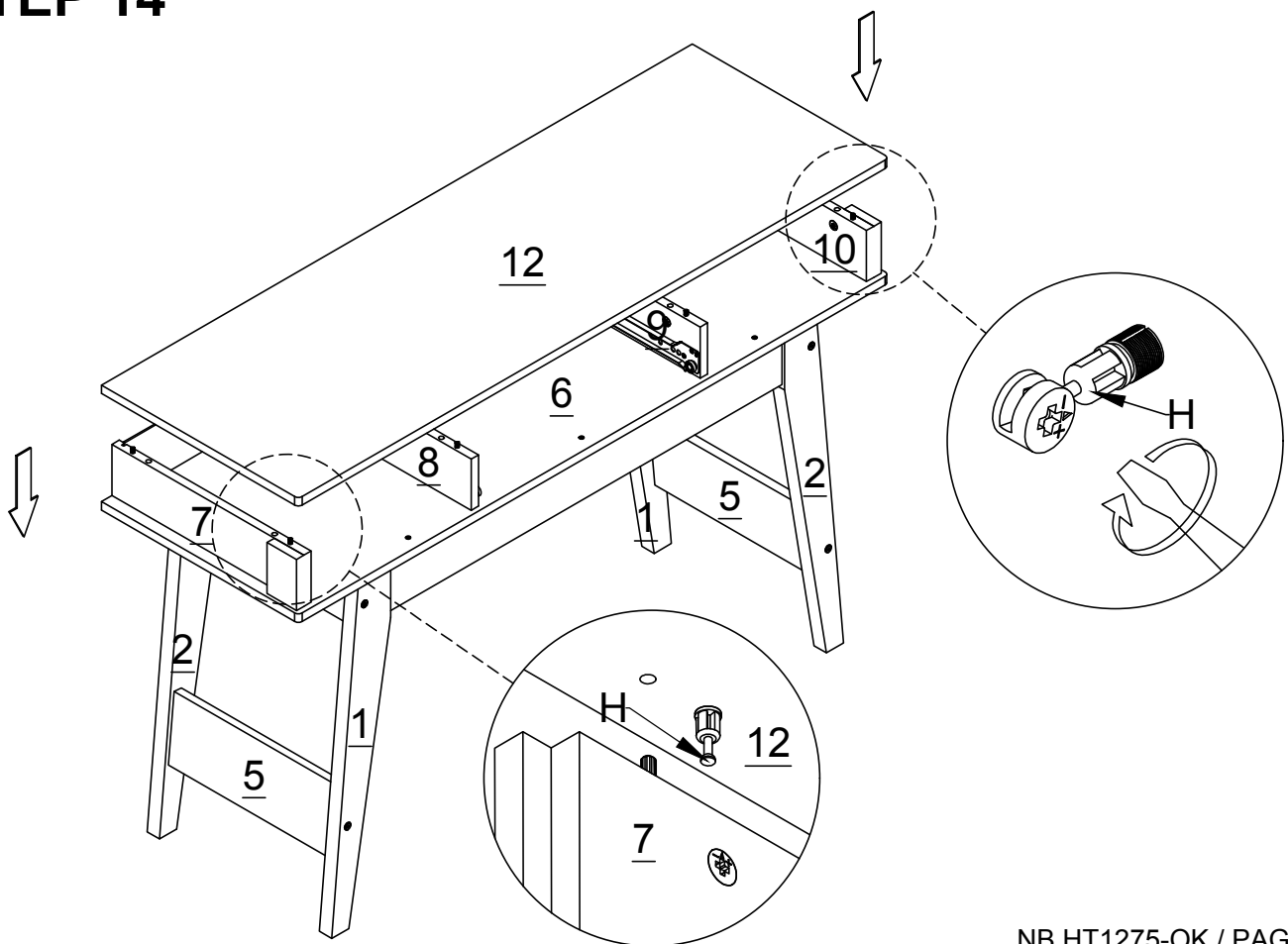
HARDWARE NEEDED:

F.		6PCS
K.		1PC

STEP 13

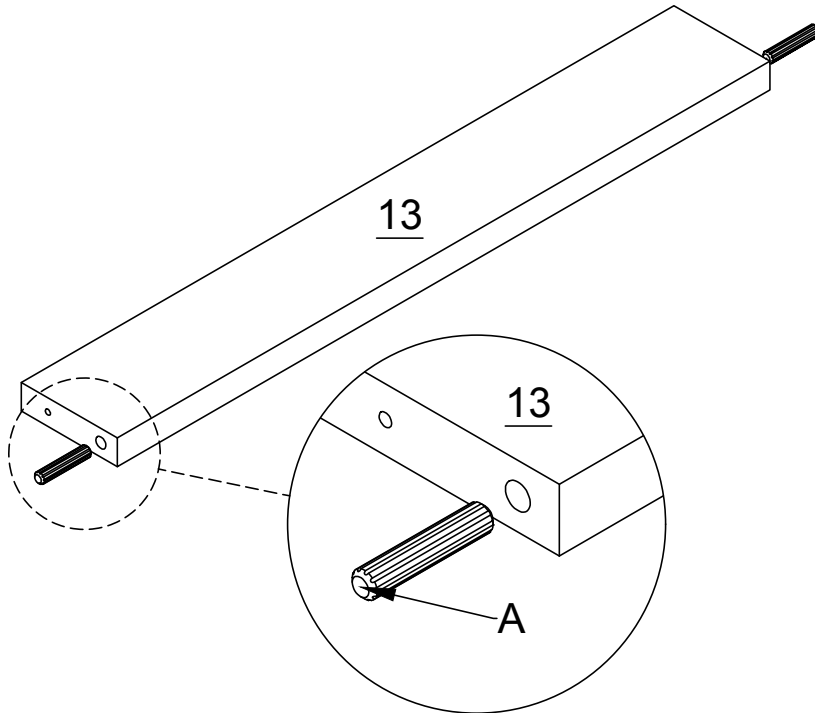


STEP 14





STEP 15

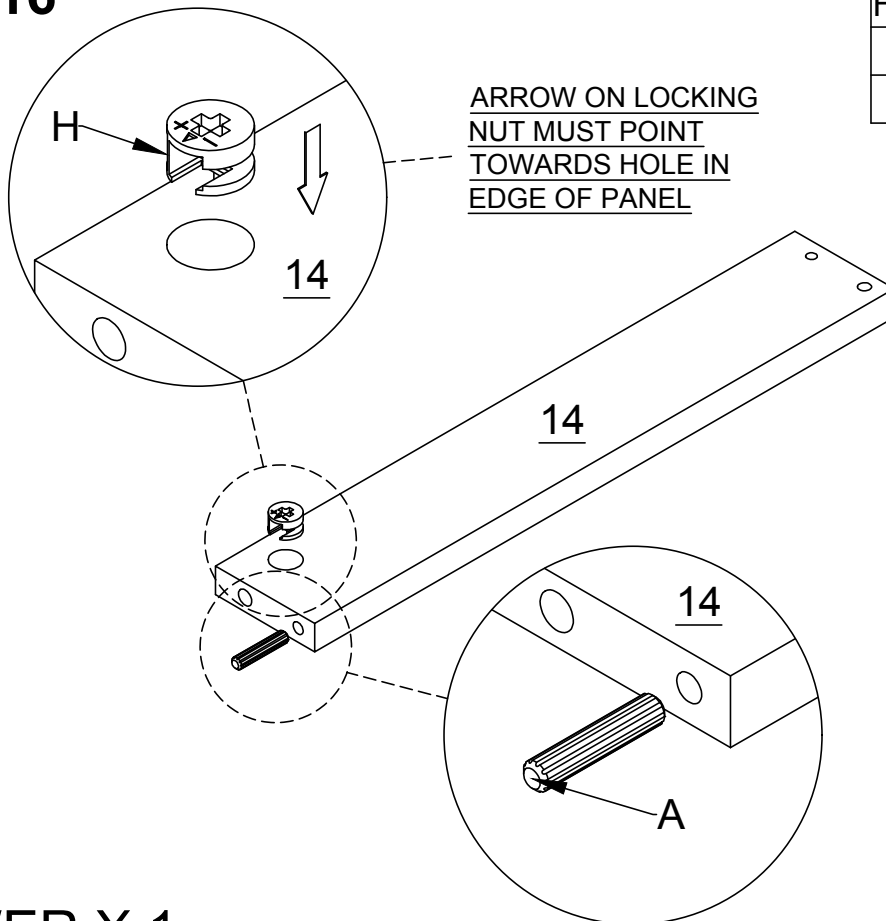
HARDWARE NEEDED:		
A.		2PCS



DRAWER X 1



STEP 16

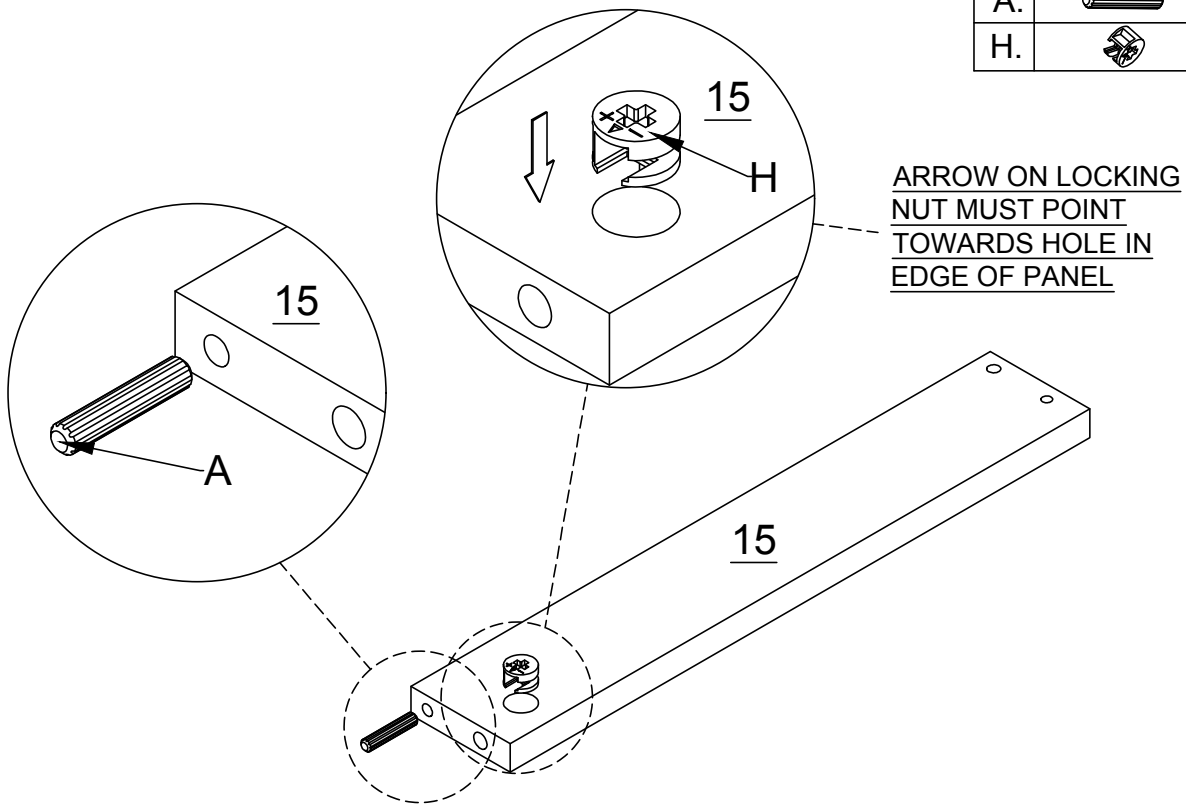
HARDWARE NEEDED:		
A.		1PC
H.		1PC



DRAWER X 1

STEP 17

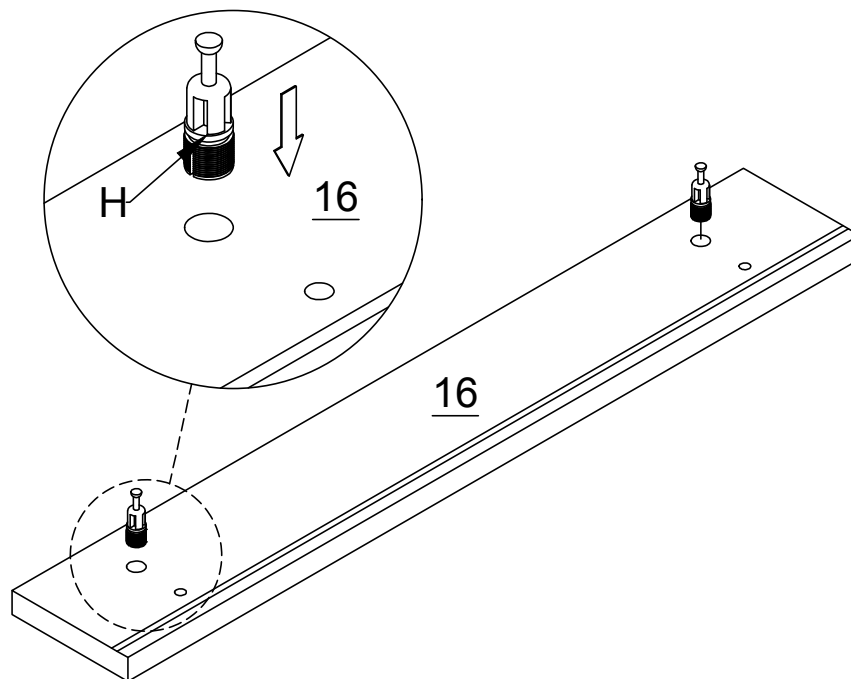
HARDWARE NEEDED:		
A.		1PC
H.		1PC



DRAWER X 1

STEP 18

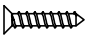
HARDWARE NEEDED:		
H.		2PCS

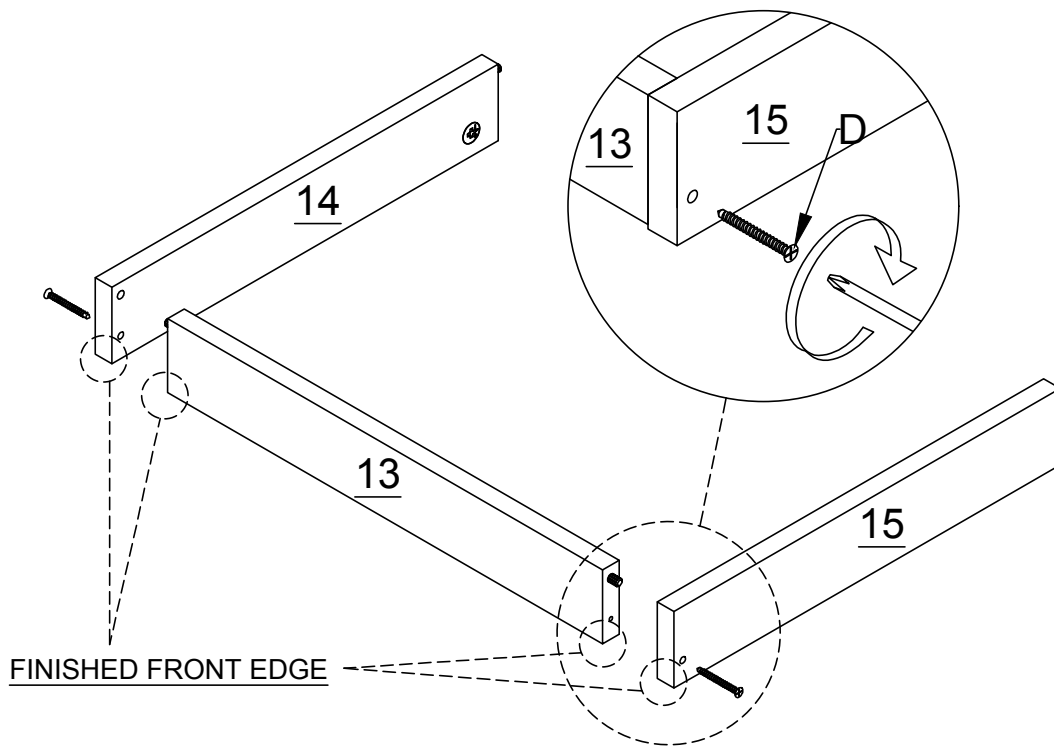


DRAWER X 1

STEP 19

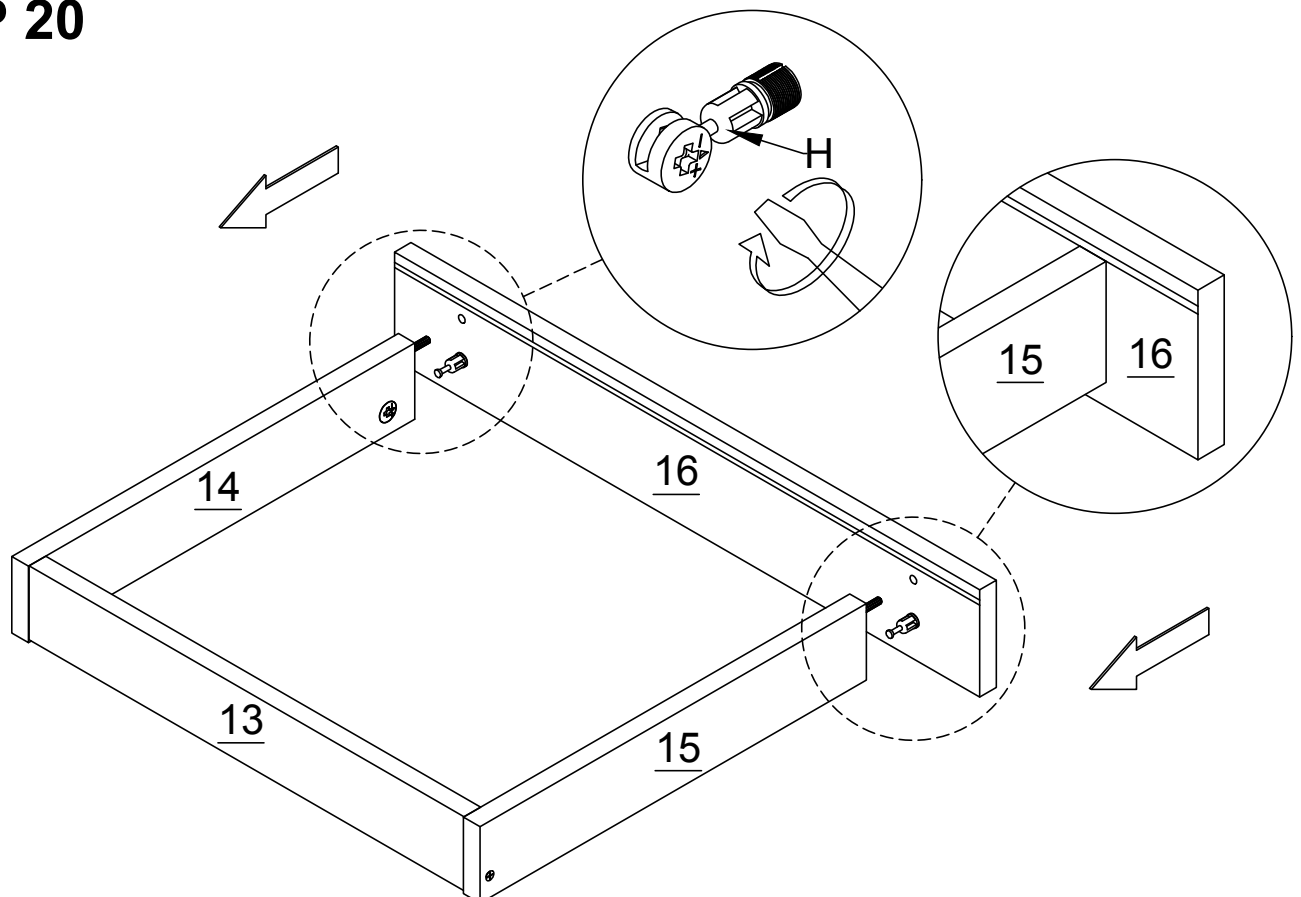
HARDWARE NEEDED:

D.		2PCS
----	---	------



DRAWER X 1

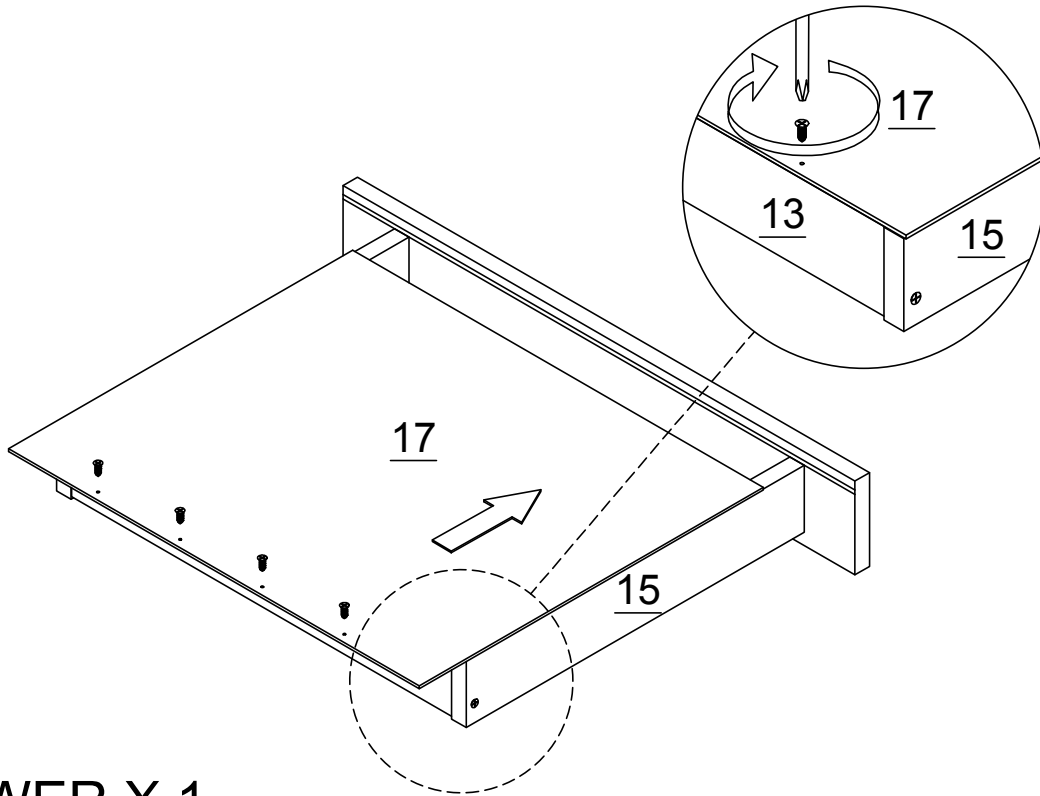
STEP 20



DRAWER X 1



STEP 21

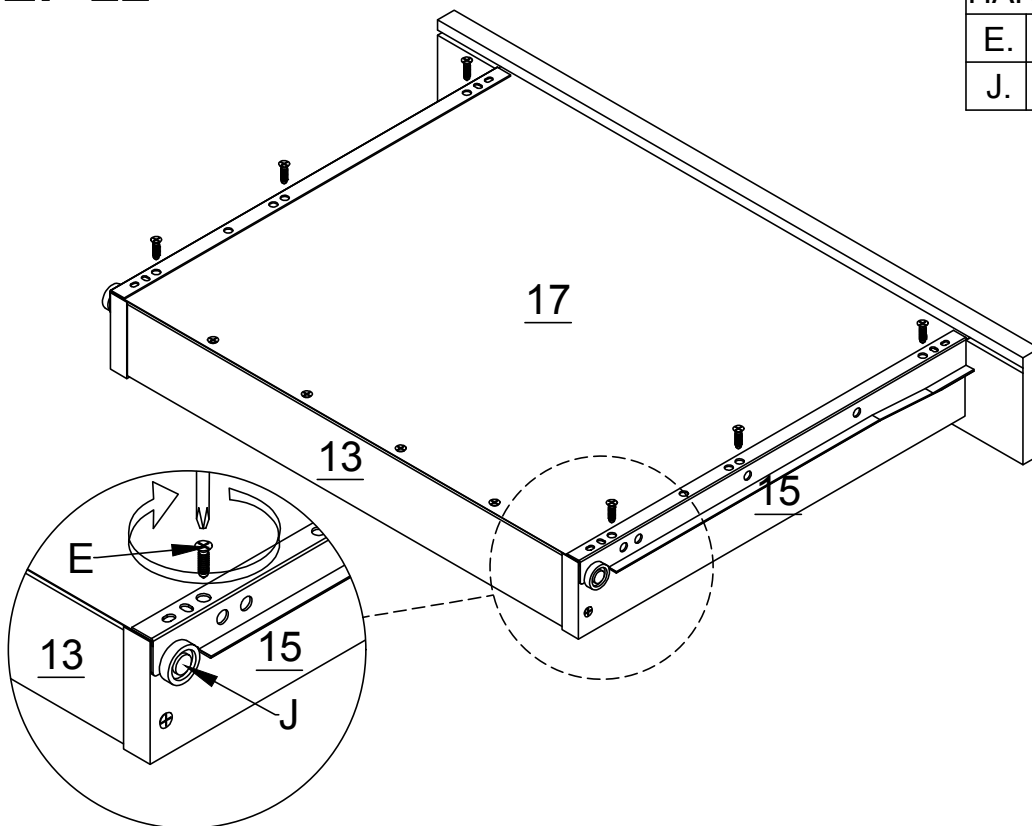
HARDWARE NEEDED:		
C.		4PCS



DRAWER X 1

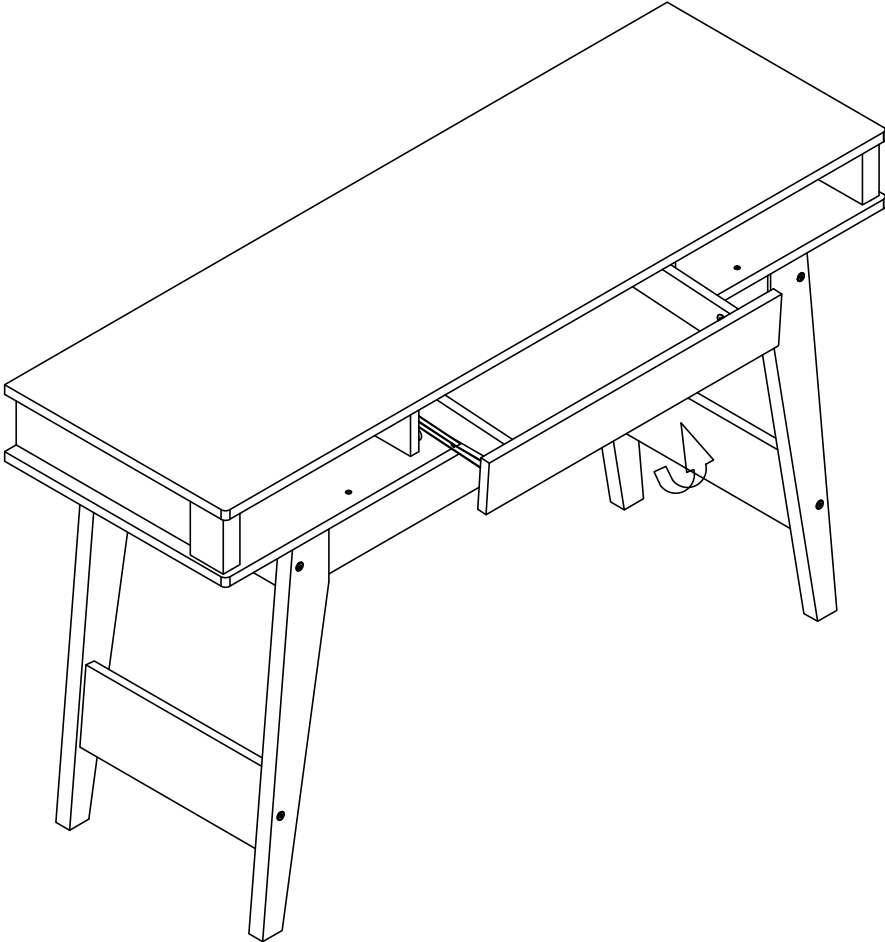
STEP 22

HARDWARE NEEDED:		
E.		6PCS
J.		2PCS



DRAWER X 1

STEP 23



STEP 24

