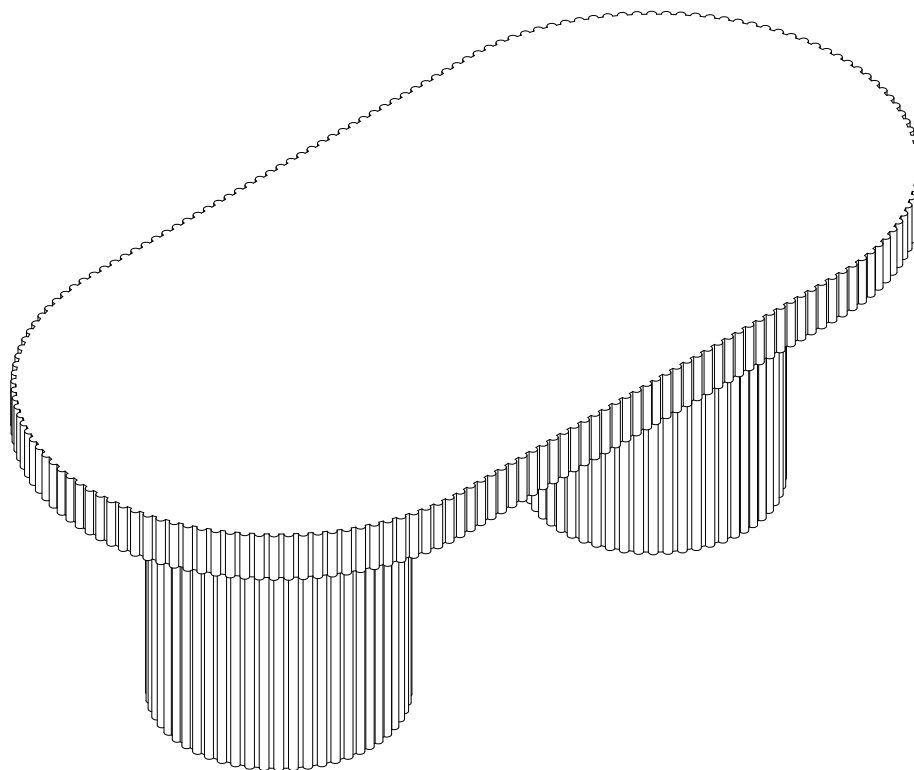


# Assembly Instructions

## Tate Series



# Lifely\*

### Product Code

TATE-CT120-OAK Tate Coffee Table

### Dimensions(W x D x H)

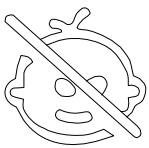
1200\*600\*430mm

---

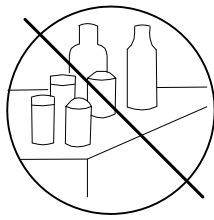
### Important

Please read through instruction carefully  
Before assembly and keep for future reference.  
For our full catalogue of assembly instructions,  
Visit: [lifely.com.au/assembly](http://lifely.com.au/assembly).

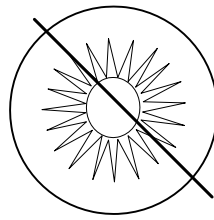
## Important Tips and Maintenance



1. Keep children and animals away from working area as smaller parts may cause choking if swallowed.



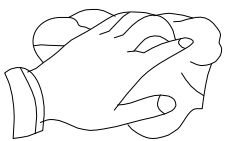
2. Never place liquids or anything damp upon furniture as it will mark. Ensure a coaster or running is beneath.



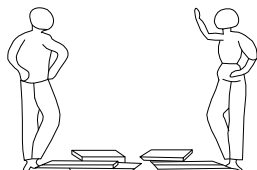
3. Never use ammonia based cleaning products as it will damage the finish.



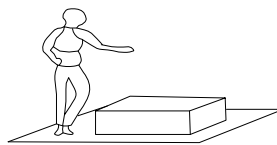
4. To avoid fading, keep furniture out of direct sunlight.



5. Use a soft or damp cloth (dry cloth) when wiping or cleaning surfaces.



6. Two person are required.



7. Lay a soft matt down to protect the furniture piece before and during assembly.

So your relationship is strong. But is it flat-pack furniture strong? Unless you're an aerospace engineer, assembling furniture can be slightly stressful. We recommend meditating quietly, pouring yourself a herbal tea (or slightly less herbal wine) and tackling things one step at a time. If you feel a passive aggressive remark coming on, try a compliment instead. E.g. "You're so good looking."

This 2-step assembly should take around 25 minutes with an Allen key-or 15 minutes with an electric drill.

Designed for everyday

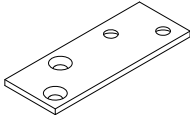
Component Hardware CTN 1/2

Please check you have all the fittings  
part or tools are listed in below.

No. A  
Quantity:16 Pcs  
M6x18mm



No. B  
Quantity:4 Pcs



No. C  
Quantity:6 Pcs  
EVA Pad  
Ø25



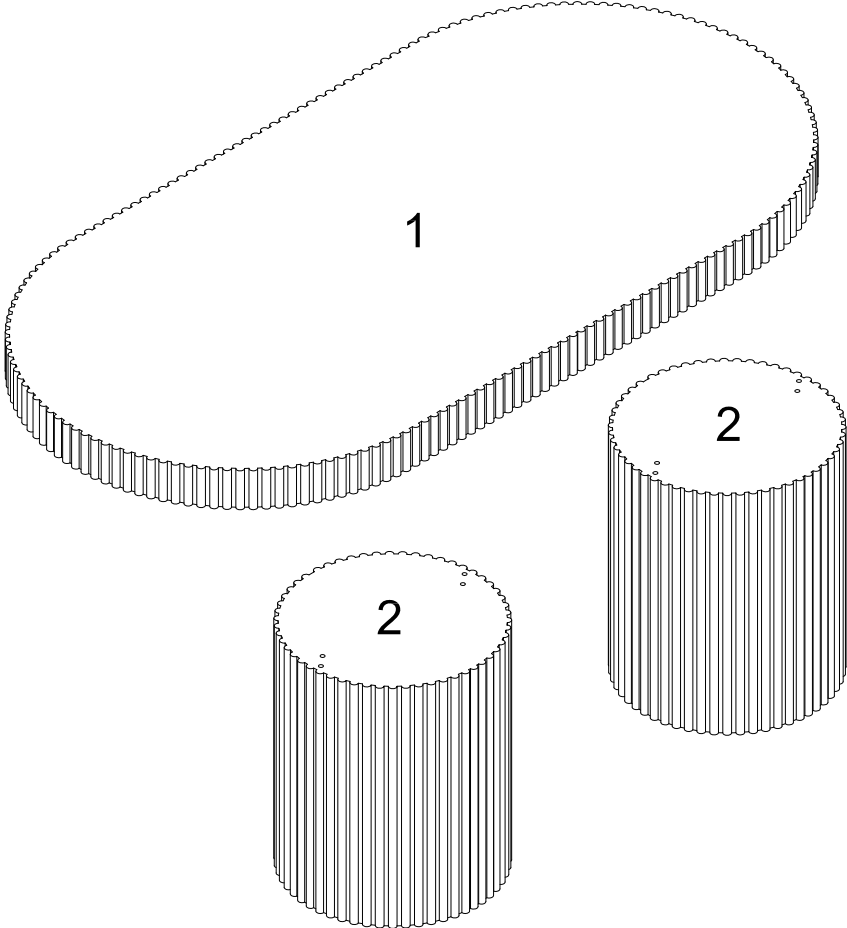
No. D  
Quantity:1 Pc  
Key  
4mm



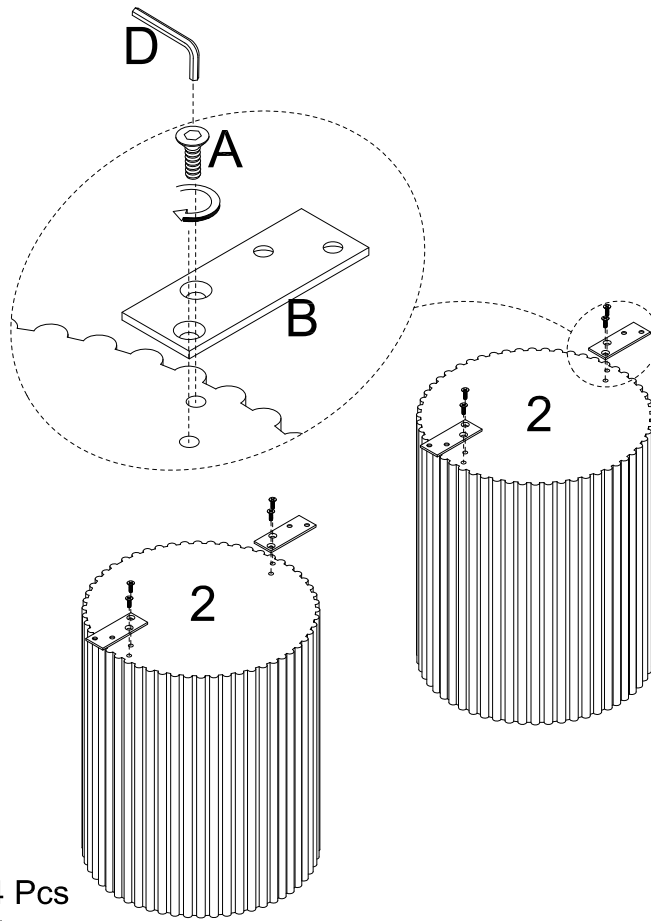
# Component Panels & part List

Please check you have all the panels  
are listed below.

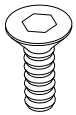
- 1. Top Panel -----x1    CTN 1/2
- 2. Leg -----x2        CTN 2/2



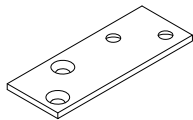
# STEP 1



No. A  
Quantity:8 Pcs



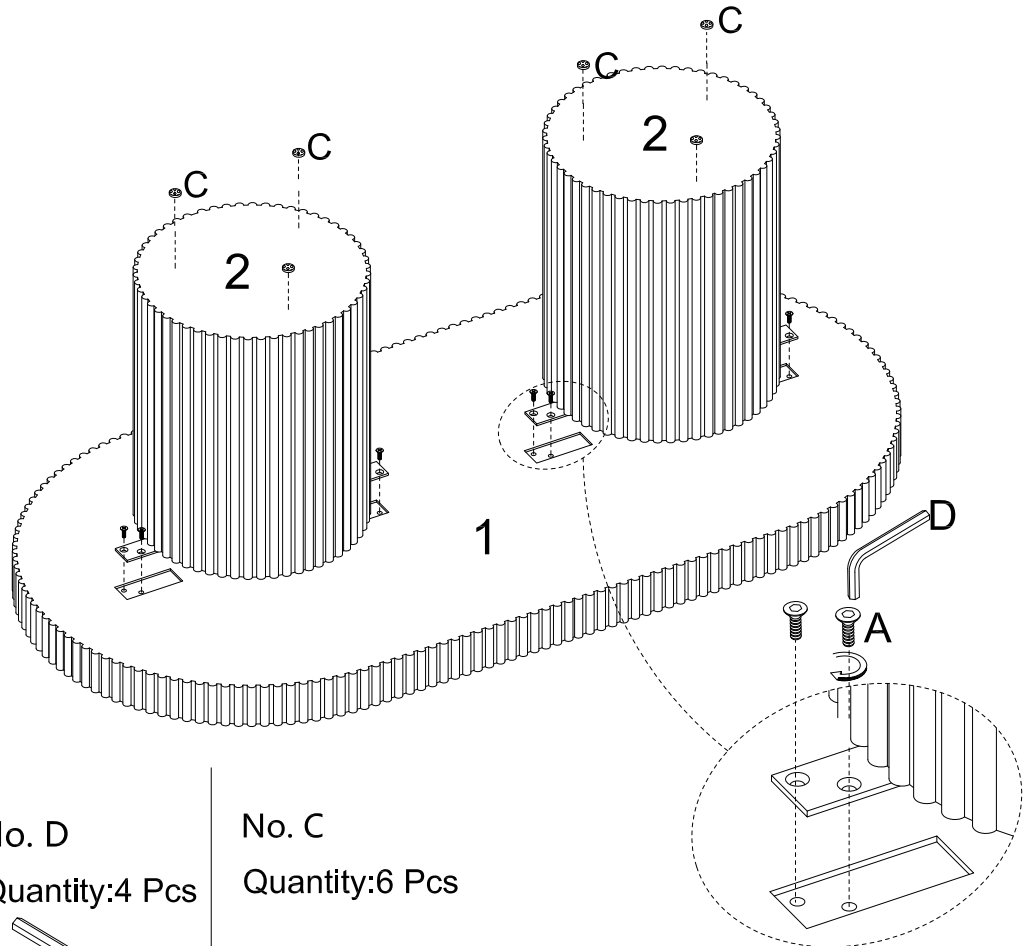
No. B  
Quantity:4 Pcs



No. D  
Quantity:1 Pc



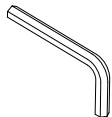
# STEP 2



No. A  
Quantity:8 Pcs

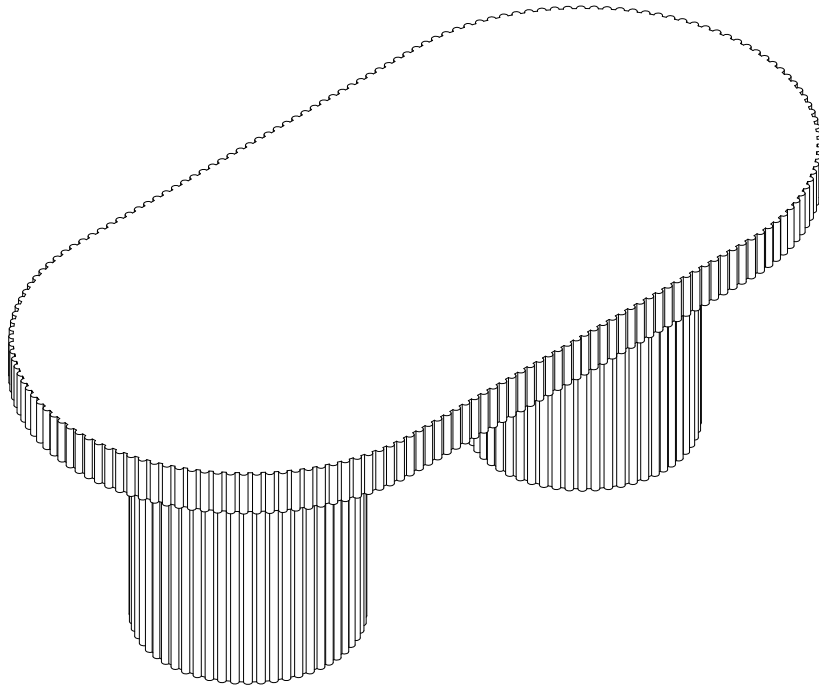


No. D  
Quantity:4 Pcs



No. C  
Quantity:6 Pcs





lifely.com.au

Great job. You're done!

Don't forget to share how it looks in  
your space and tag us on Instagram.

@lifelyhome #homewithlifely!