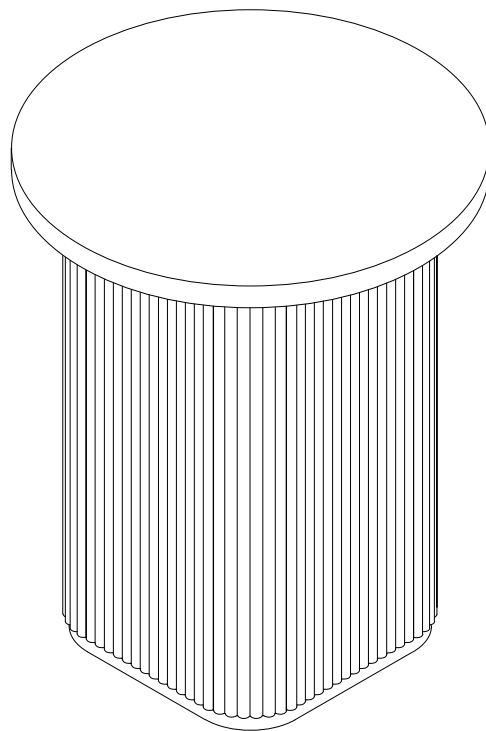


Assembly Instructions

Tate Series



Lifely*

Product Code

TATE-ST-BLACK Side Table
TATE-ST-NATURAL Side Table
Dimensions(W x D x H)
450x450x550mm

Important

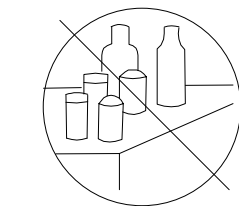
Please read through instruction carefully
Before assembly and keep for future reference.

For our full catalogue of assembly instructions,
Visit: lifely.com.au/assembly.

Important Tips and Maintenance



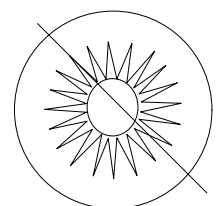
1. Keep children and animals away from working area as smaller parts may cause choking if swallowed.



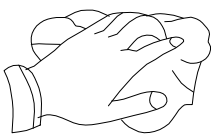
2. Never place liquids or anything damp upon furniture as it will mark. Ensure a coaster or running is beneath.



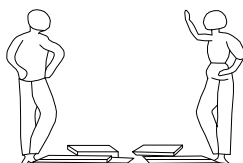
3. Never use ammonia based cleaning products as it will damage the finish.



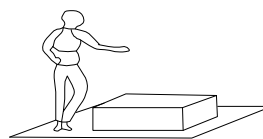
4. To avoid fading, keep furniture out of direct sunlight.



5. Use a soft cloth (dry cloth) when wiping or cleaning surfaces.



6. Two person are required.



7. Lay a soft matt down to protect the furniture piece before and during assembly.

So your relationship is strong. But is it flat-pack furniture strong? Unless you're an aerospace engineer, assembling furniture can be slightly stressful. We recommend meditating quietly, pouring yourself a herbal tea (or slightly less herbal wine) and tackling things one step at a time. If you feel a passive aggressive remark coming on, try a compliment instead. E.g. "You're so good looking"

This 7-step assembly should take around 1 hour with an Allen Key - or 30 minutes with an electric drill. Godspeed.

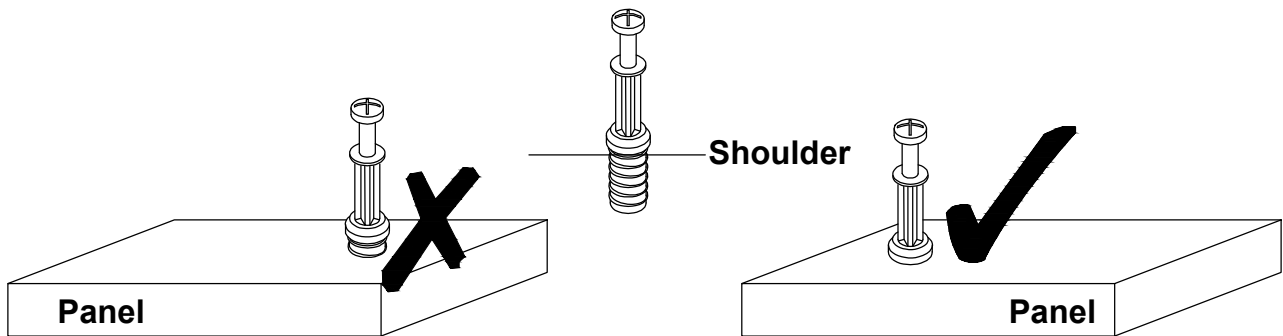
Designed for everyday

Before Assembly

Tips Before Your Start:

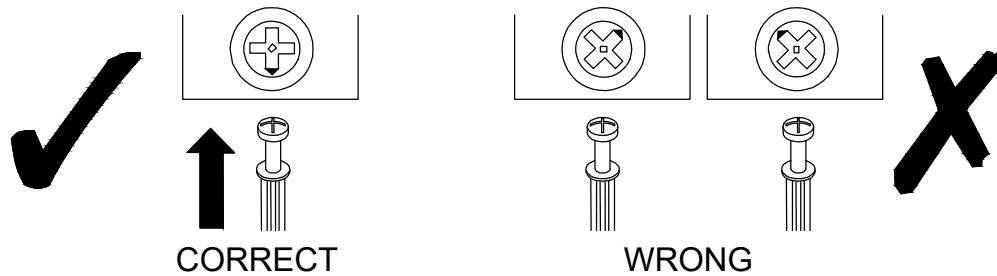
- Remove all wrapping material, including staples & packing straps before you start to assemble.
- DO NOT tighten all screws and bolts until completely assembled.
- Keep all hardware parts out of reach of children.

QUICKFIT



Tighten quickfit until shoulder is flush with panel. Do not overtighten or undertighten.

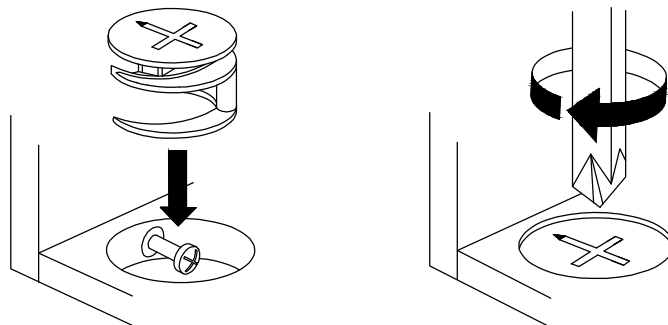
CAM LOCK



When fitting cam lock, ensure starting position is correct before you insert connecting quickfit.

Quickfit head should be in the centre of the cam lock when the two panels are joined.

Cam lock should be inserted before quickfit.




Turn cam lock clockwise to tighten.


Component Hardware

Please check you have all the fittings
part or tools are listed in below.


No. A
Quantity:20Pcs
Cam Lock Dowel
8*28mm




No. B
Quantity:24Pcs
Dowel
8*30mm




No. C
Quantity:20Pcs
Cam Lock
φ15mm




No. D
Quantity:4Pcs
Screw
M6*50



No. E
Quantity:1Pc
Allen Key
4#



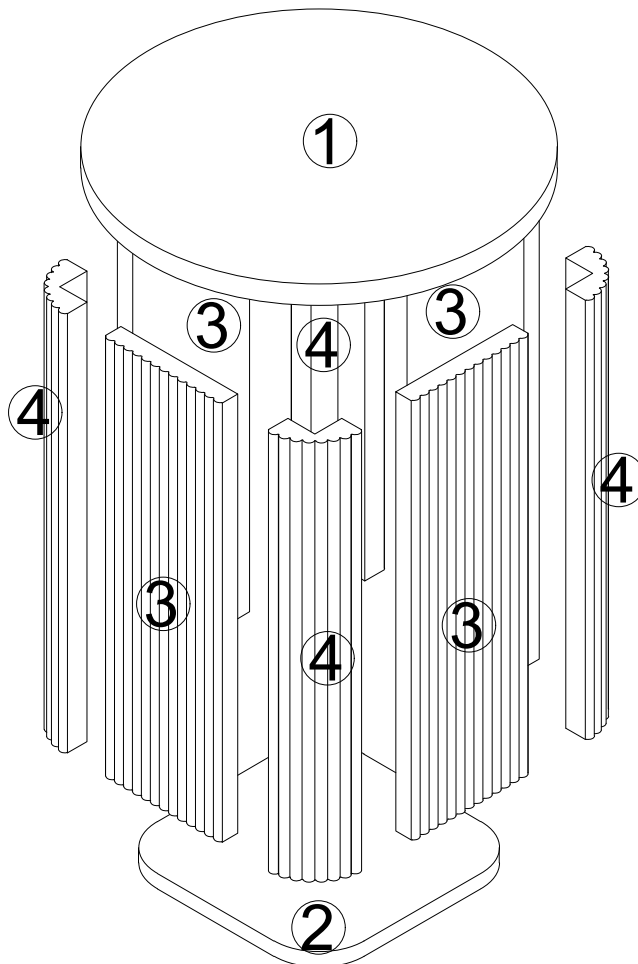
No. F
Quantity:4Pcs
Foot Pad
φ20



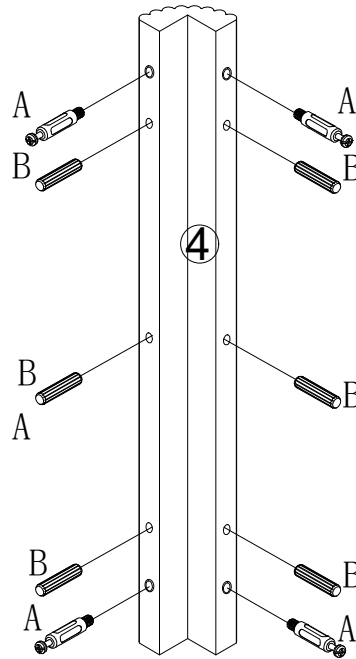
Component Panels & part List

Please check you have all the panels
are listed below.

1. Table Top ————— x1
2. Bottom Panel of Base ——— x1
3. Side Panel of Base ——— x4
4. Corner Rail of Base ——— x4



STEP 1



No. A
Quantity:16 Pcs
Cam Lock Dowel
8*28mm

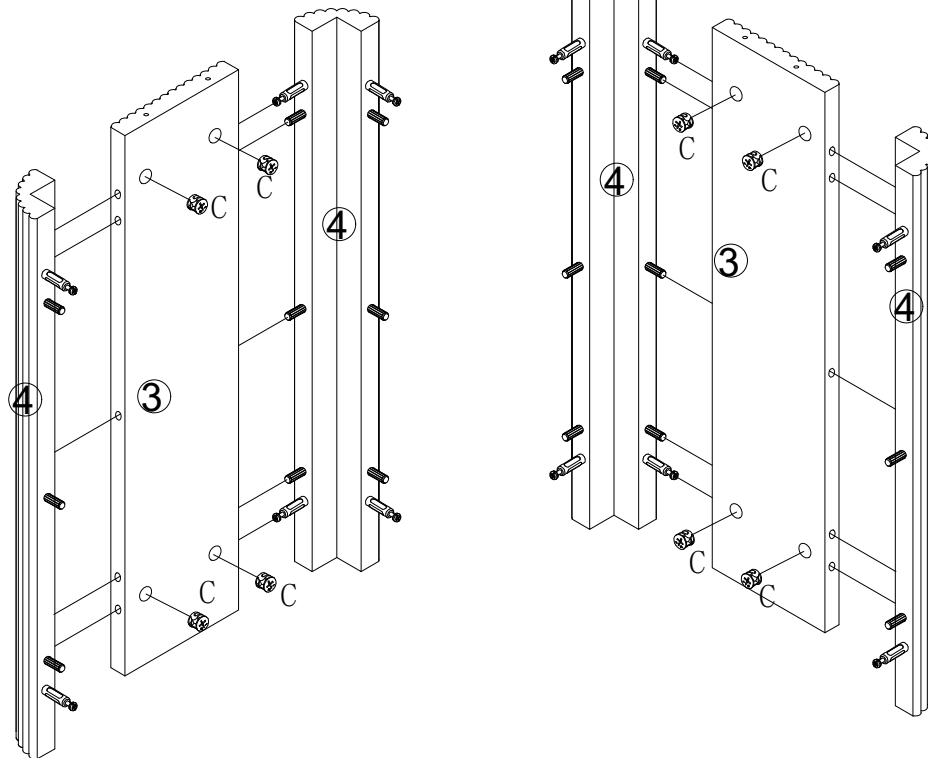


No. B
Quantity:24 Pcs
Dowel
8*30mm



x4

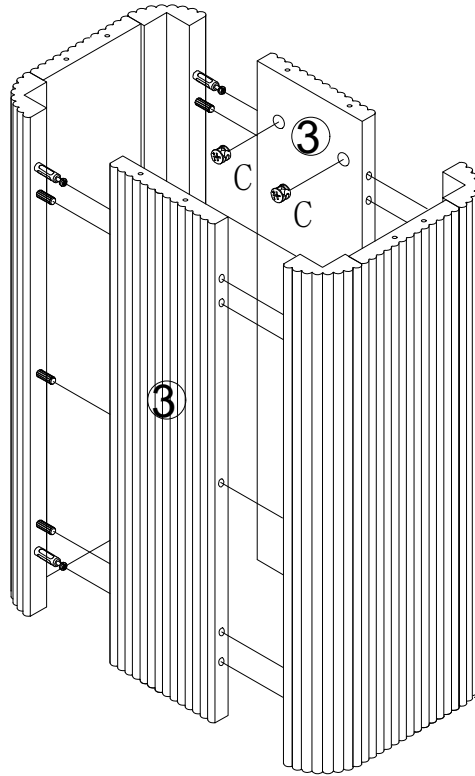
STEP 2



No. C
Quantity:8Pcs
Cam Lock



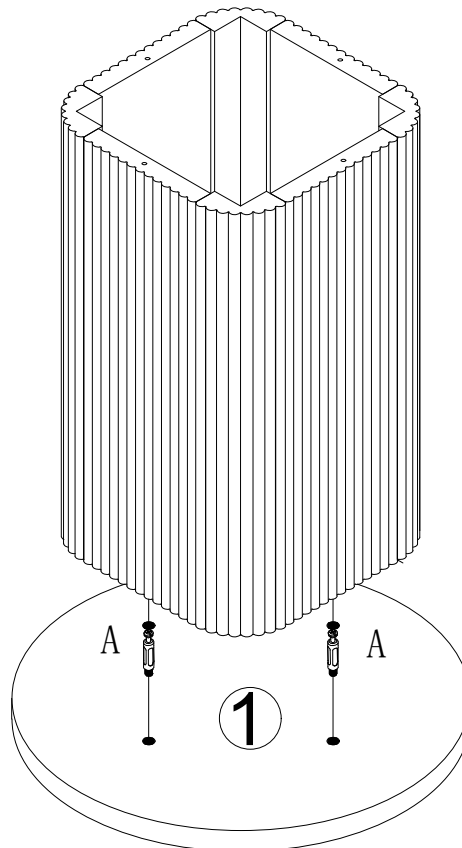
STEP 3



No. C
Quantity: 8 Pcs
Cam Lock



STEP 4



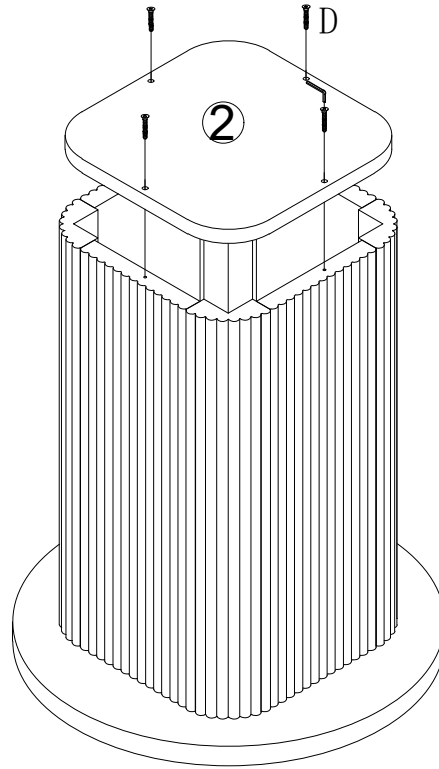
No. B
Quantity: 4 Pcs
Cam Lock Dowel
8*28mm



No. C
Quantity: 4 Pcs
Cam Lock
φ15mm



STEP 5



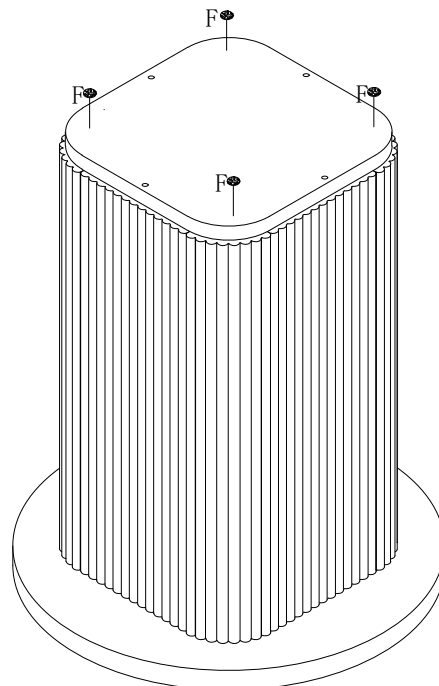
No. D
Quantity:4 Pcs
Screw
M6*50mm



No. E
Quantity:1 Pc
Allen Key
4#



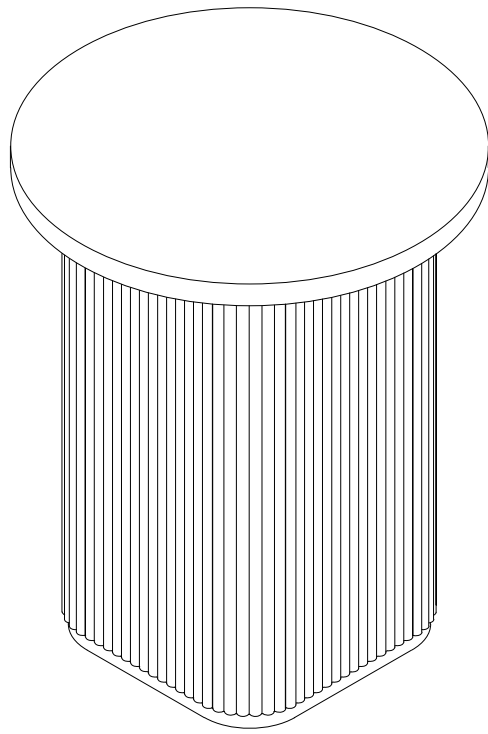
STEP 6



No. F
Quantity:4 Pcs
Foot Pad
 ϕ 20mm



STEP 7



lifely.com.au

Great job. You're done!

Don't forget to share how it looks in
your space and tag us on Instagram.
[@lifelyhome](#) [#homewithlifely!](#)