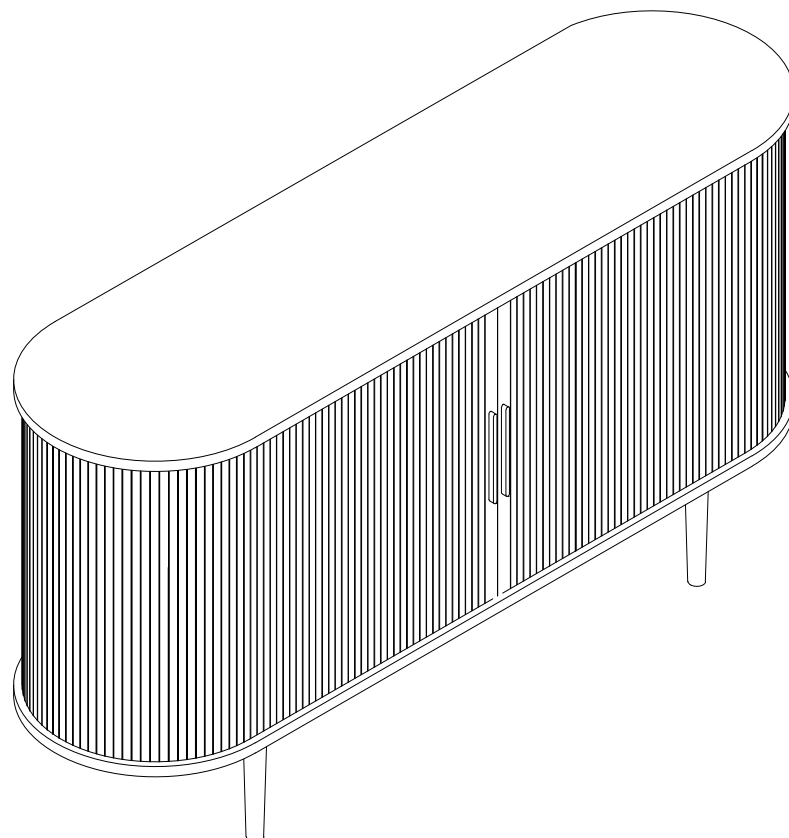


Assembly Instructions

Tate Series



Lifely*

Product Code

TATE-SB-BLACK Tambor Door Sideboard
TATE-SB-NATURAL Tambor Door Sideboard
Dimensions(W x D x H)
1200x400x730mm

Important

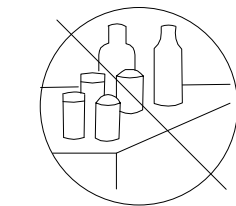
Please read through instruction carefully
Before assembly and keep for future reference.

For our full catalogue of assembly instructions,
Visit: lifely.com.au/assembly.

Important Tips and Maintenance



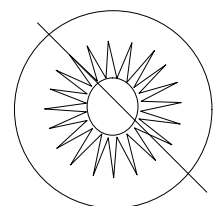
1. Keep children and animals away from working area as smaller parts may cause choking if swallowed.



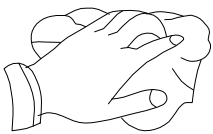
2. Never place liquids or anything damp upon furniture as it will mark. Ensure a coaster or running is beneath.



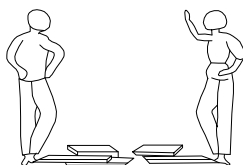
3. Never use ammonia based cleaning products as it will damage the finish.



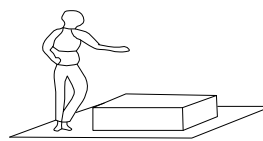
4. To avoid fading, keep furniture out of direct sunlight.



5. Use a soft cloth (dry cloth) when wiping or cleaning surfaces.



6. Two person are required.



7. Lay a soft matt down to protect the furniture piece before and during assembly.

So your relationship is strong. But is it flat-pack furniture strong? Unless you're an aerospace engineer, assembling furniture can be slightly stressful. We recommend meditating quietly, pouring yourself a herbal tea (or slightly less herbal wine) and tackling things one step at a time. If you feel a passive aggressive remark coming on, try a compliment instead. E.g. "You're so good looking"

This 13-step assembly should take around 70 minutes with an Allen Key - or 50 minutes with an electric drill. Godspeed.

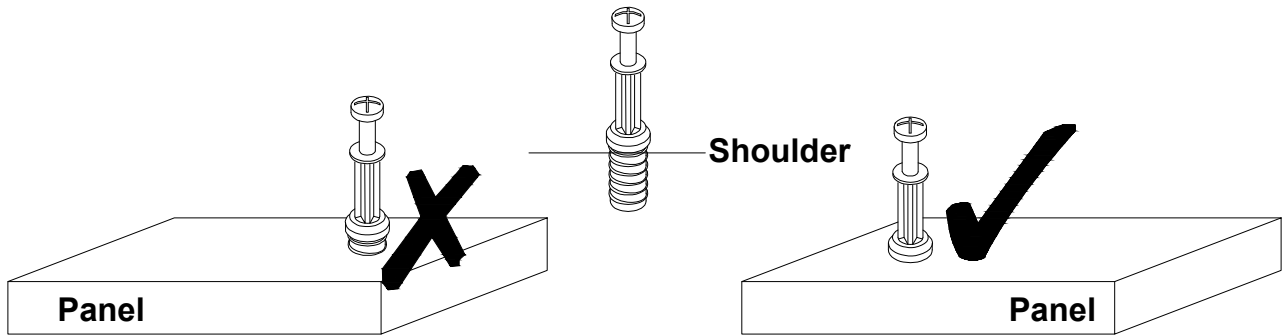
Designed for everyday

Before Assembly

Tips Before Your Start:

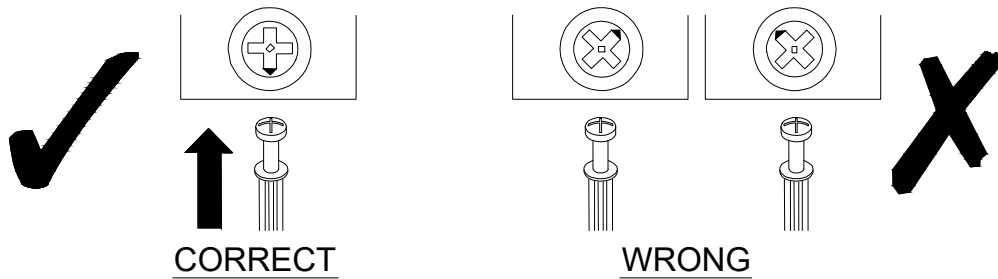
- Remove all wrapping material, including staples & packing straps before you start to assemble.
- DO NOT tighten all screws and bolts until completely assembled.
- Keep all hardware parts out of reach of children.

QUICKFIT



Tighten quickfit until shoulder is flush with panel. Do not overtighten or undertighten.

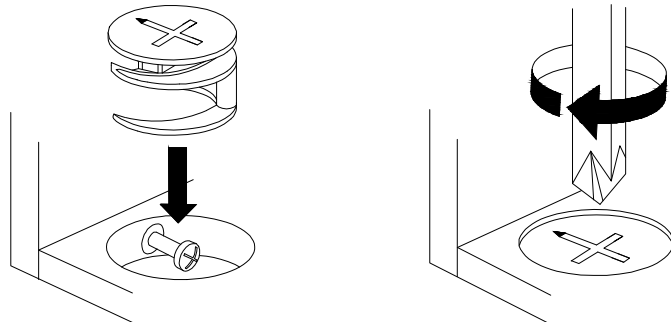
CAM LOCK



When fitting cam lock, ensure starting position is correct before you insert connecting quickfit.

Quickfit head should be in the centre of the cam lock when the two panels are joined.

Cam lock should be inserted before quickfit.



Component Hardware

Please check you have all the fittings
part or tools are listed in below.

No. A
Quantity:10Pcs

Cam Lock Dowel
8*28mm



No. B

Quantity:2Pcs

Full Thread Screw
M6*35mm



No. C

Quantity:10Pcs

Cam
φ15



No. D

Quantity:2Pcs

Full Thread Screw
M6*55mm



No. E

Quantity:12Pcs

Screw
M6*50mm



No. F

Quantity:1Pc

Allen Key
4#



No. G

Quantity:6Pcs

Assembly Assistor



No. H

Quantity:3Pcs

Dowel
8*30mm



No. I

Quantity:2Pcs

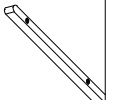
Screw
M6*35mm



No. J

Quantity:2Pcs

Handle
200*20mm



No. K

Quantity:4Pcs

Screw
4*14



No. L

Quantity:14Pcs

Sticker
φ20



No. M

Quantity:4Pcs

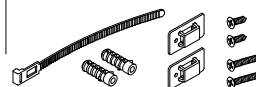
Foot Pad
φ20



No. N

Quantity:1Set

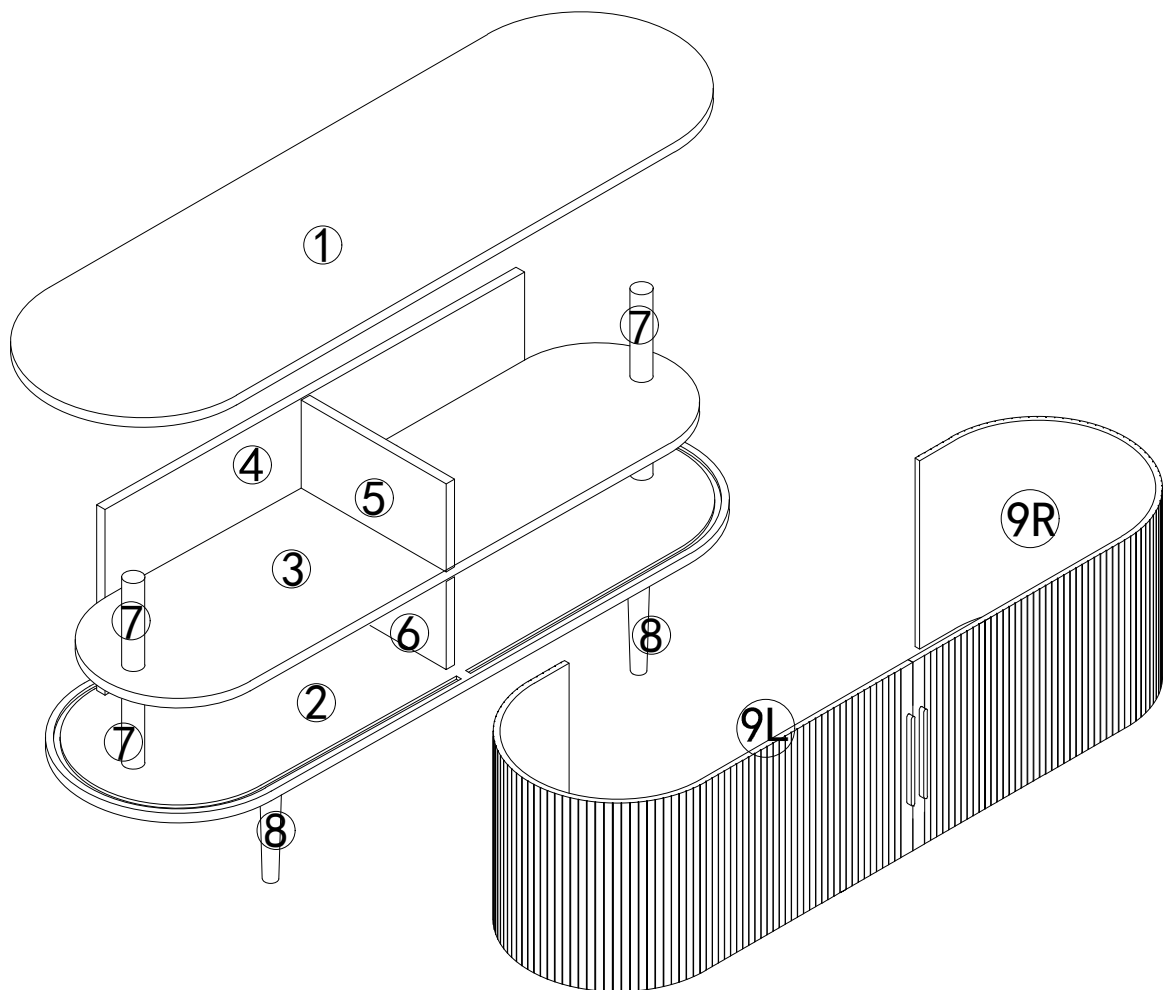
Anti-falling Parts



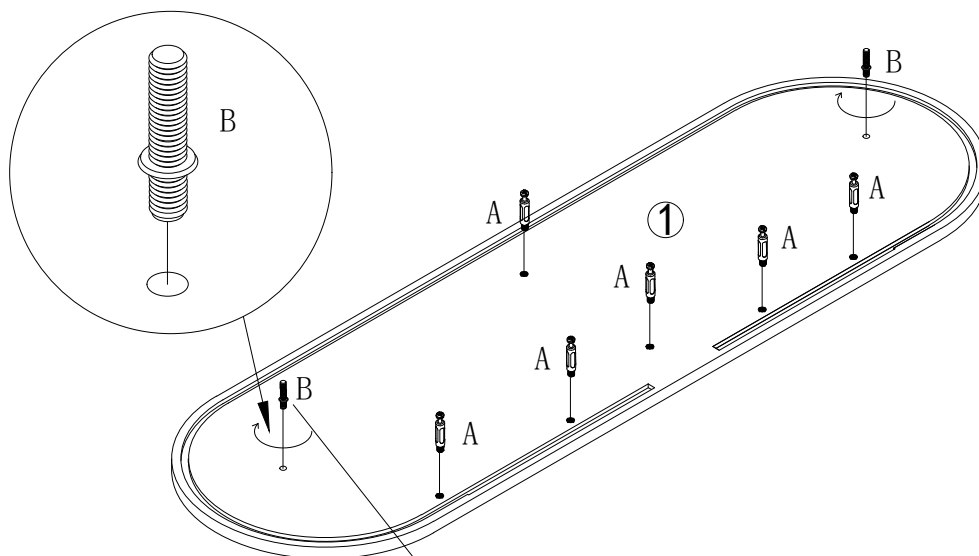
Component Panels & part List

Please check you have all the panels are listed below.

1. Top Panel ————— x1
2. Bottom Panel ————— x1
3. Shelf ————— x1
4. Back Panel ————— x1
5. Division Panel_up ——— x1
6. Division Panel_down ——— x1
7. Supporting Pillar ————— x4
8. Leg ————— x4
- 9L. Tambor Door_left ——— x1
- 9R. Tambor Door_right ——— x1



STEP 1



Please note the screw B have different thread length at both side, ensure the shorter thread side towards down as drawing shows.

No. A

Quantity:6 Pcs

Cam Lock Dowel
8*28 mm



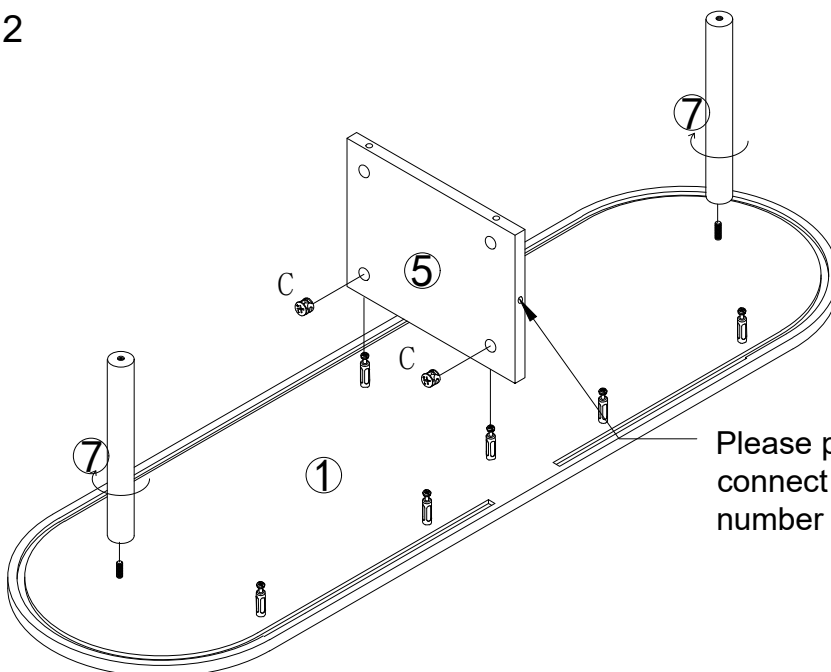
No. B

Quantity:2 Pcs

Full Thread Screw
M6*35 mm



STEP 2



Please pay attention to this hole to connect with the back panel number "4".

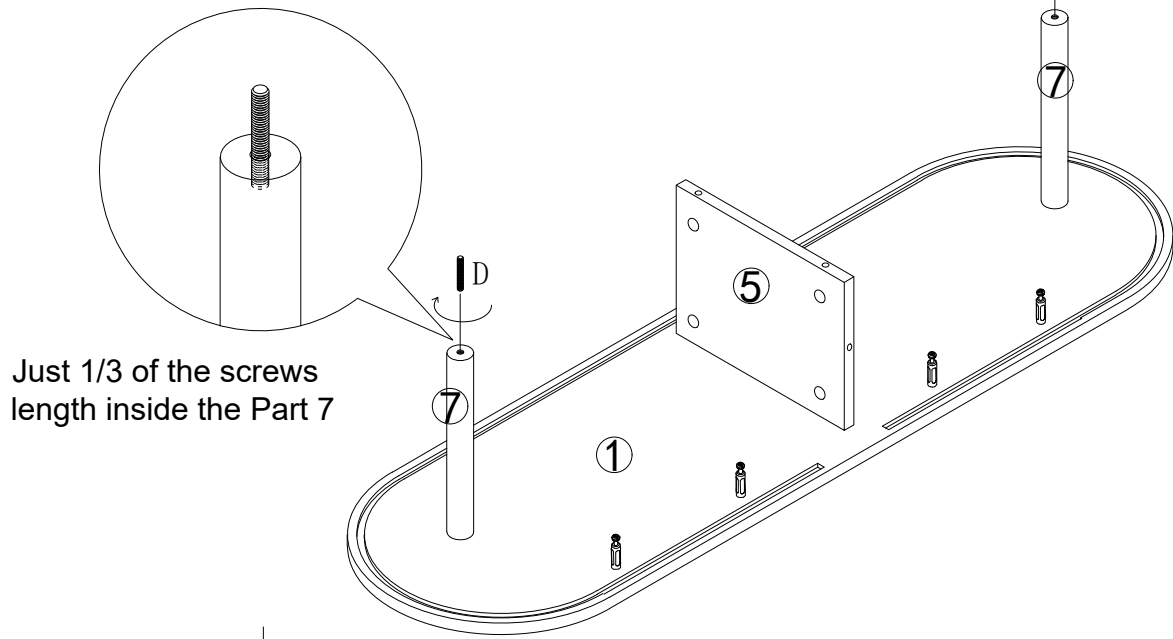
No. C

Quantity:2 Pcs

Cam



STEP 3



Just 1/3 of the screws
length inside the Part 7

No. D

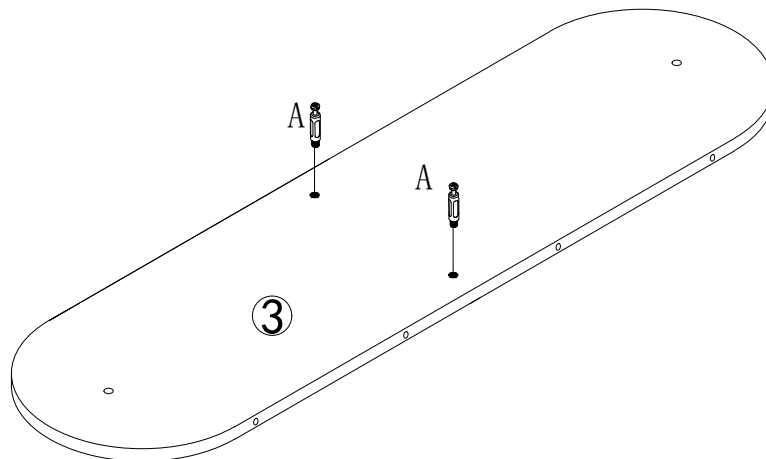
Quantity: 2 Pcs

Full Thread Screw

M6*55 mm



STEP 4



No. A

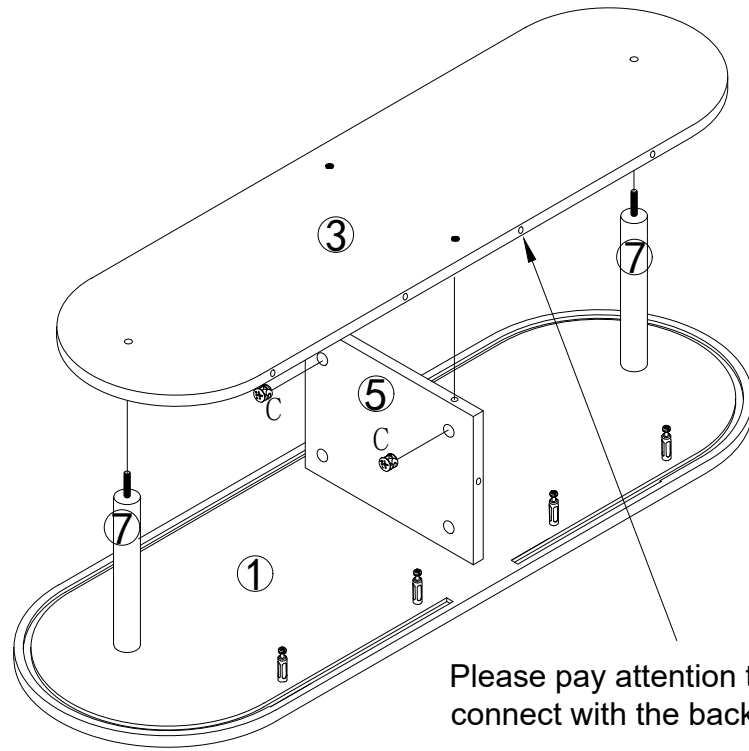
Quantity: 2 Pcs

Cam Lock Dowel

8*28 mm



STEP 5



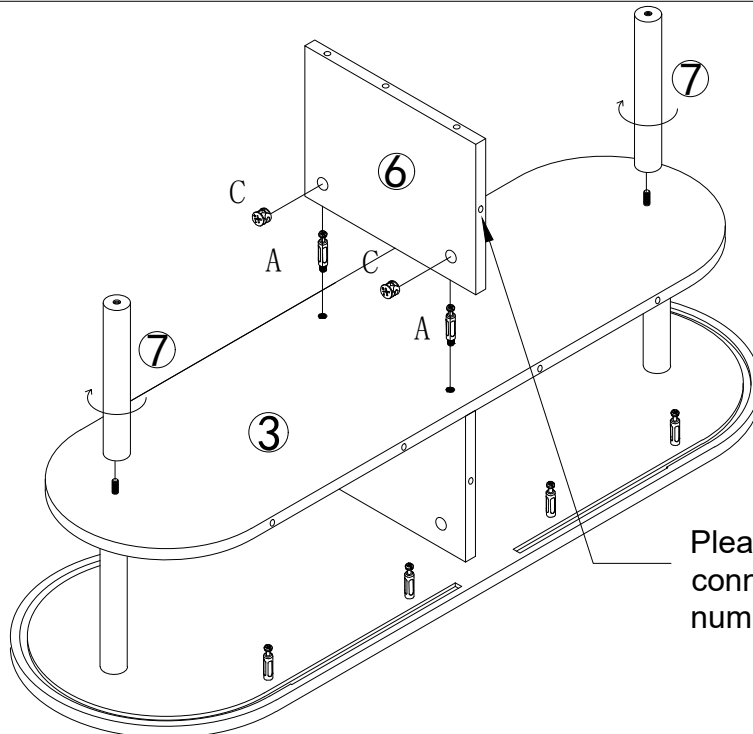
No. C

Quantity:2 Pcs

Cam



STEP 6



No. A

Quantity:2 Pcs

Cam Lock Dowel
8*28 mm



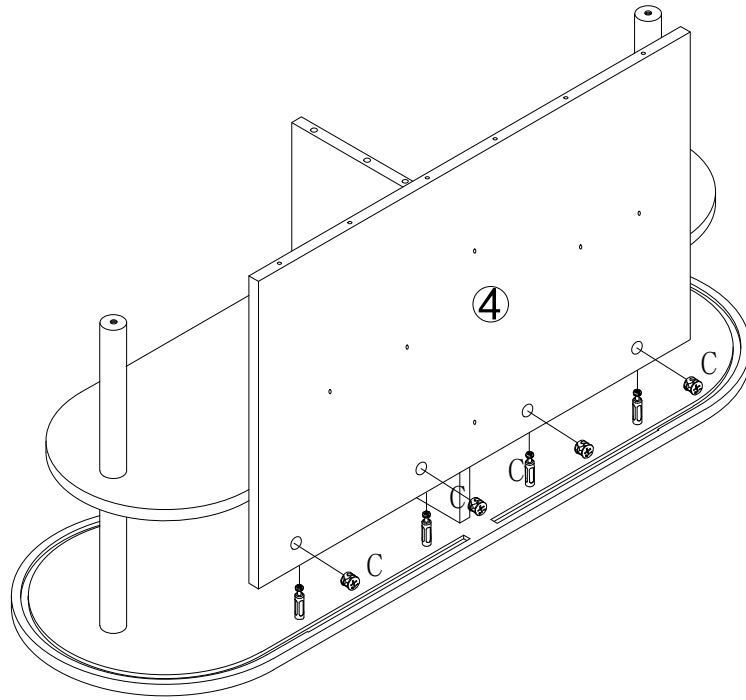
No. C

Quantity:2 PcS

Cam



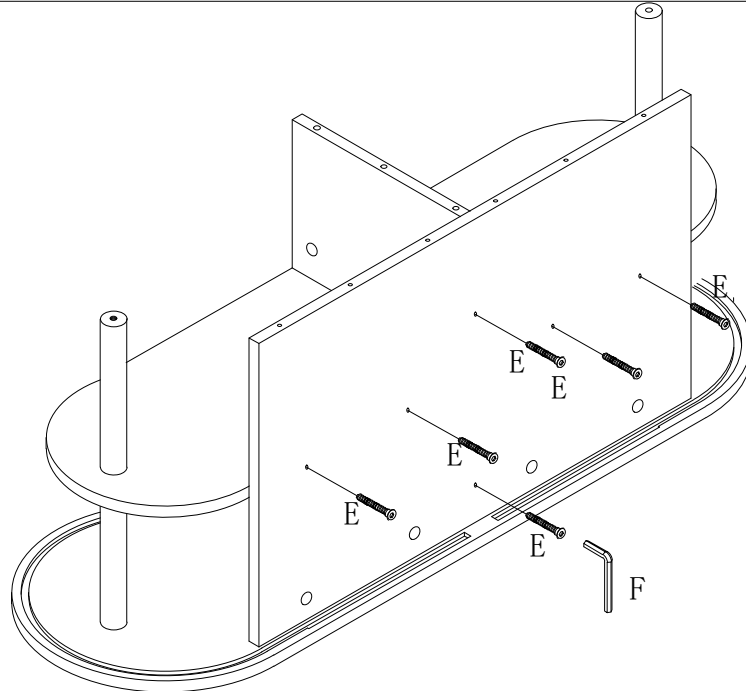
STEP 7



No. C
Quantity:4 Pcs
Cam



STEP 8



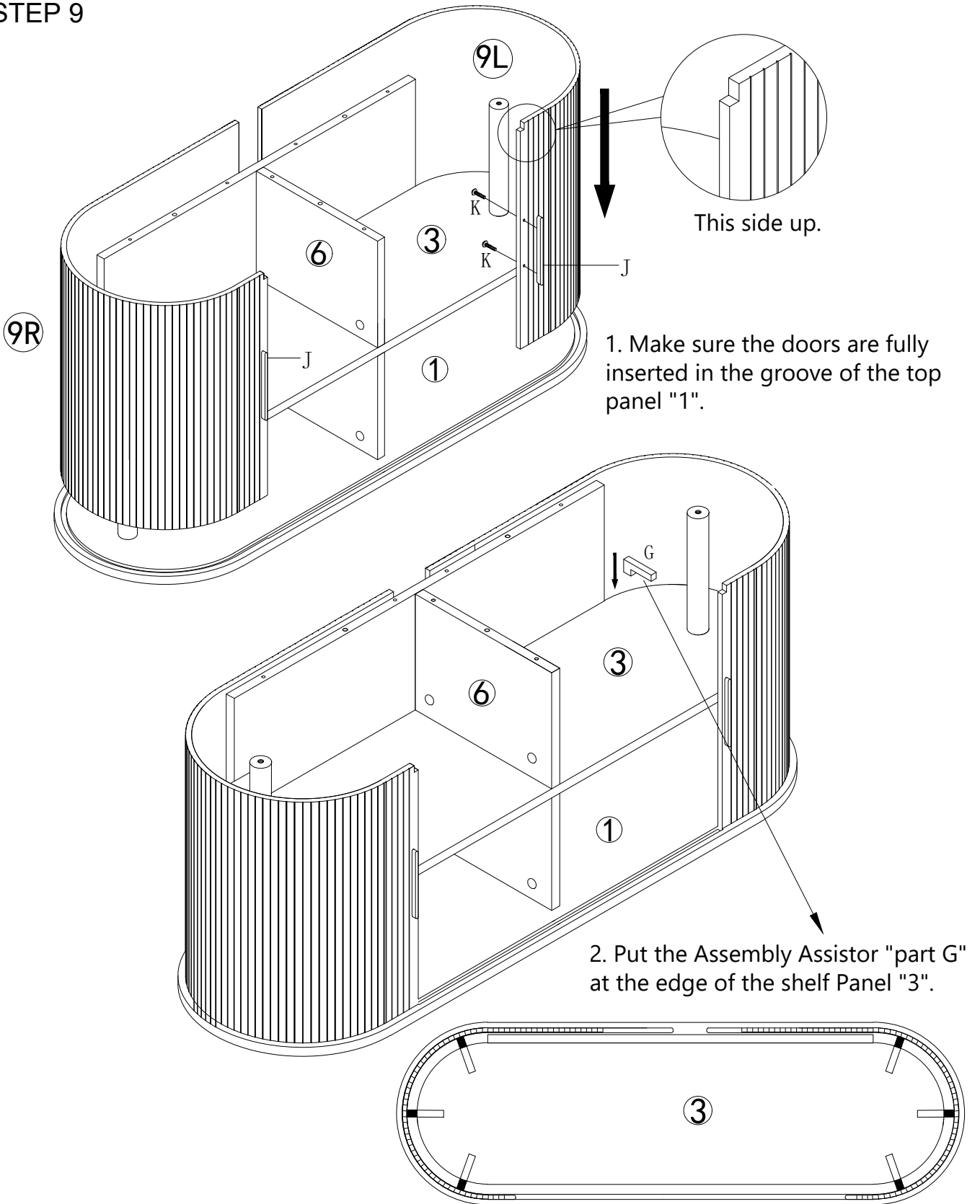
No. E
Quantity:6 Pcs
Screw
M6*50mm



No. F
Quantity:1 Pc
Allen Key
4#



STEP 9



No. G
 Quantity:6 Pcs
 Assembly Assistor



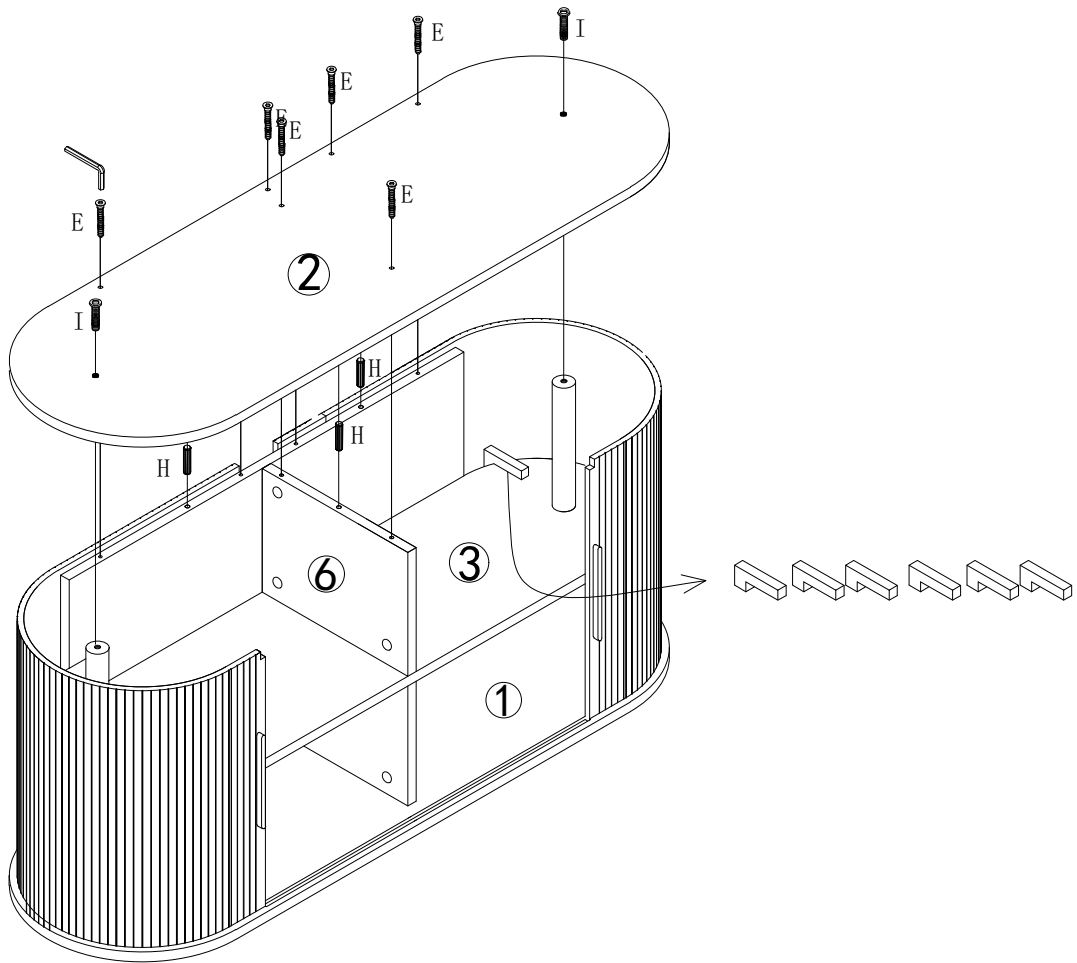
No. J
 Quantity:2 Pcs
 Handle
 200*20 mm



No. K
 Quantity:4 Pcs
 Screw
 4*14 mm



STEP 10



3. Make sure the doors are fully inserted in the groove of the top and bottom panels, then tight the screw I and E.
4. After finish fixing the tambor doors, please remove the Part G "Assembly Assistor"

No. E
Quantity:6 Pcs
Screw
M6*50mm



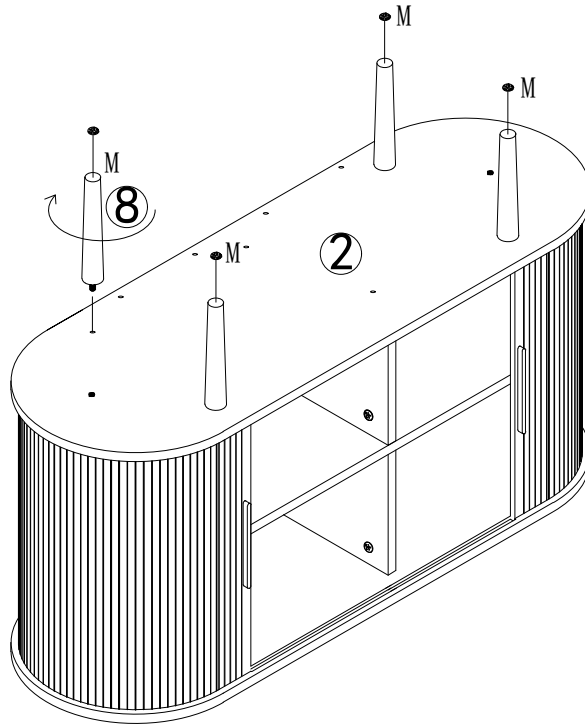
No. H
Quantity:3 Pcs
Dowel
8*30mm



No. I
Quantity:2 Pcs
Screw
M6*35mm



STEP 11



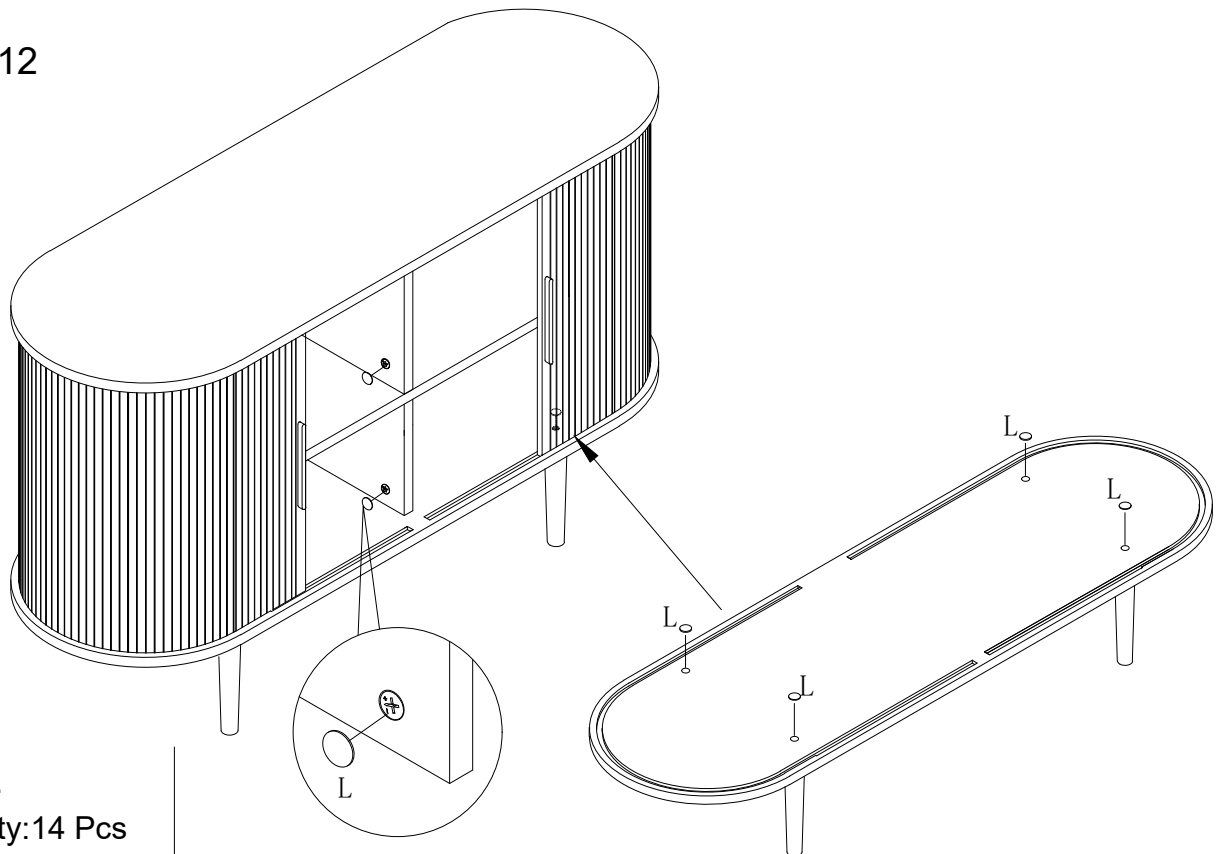
No. M

Quantity: 4 Pcs

Foot Pad
φ20



STEP 12



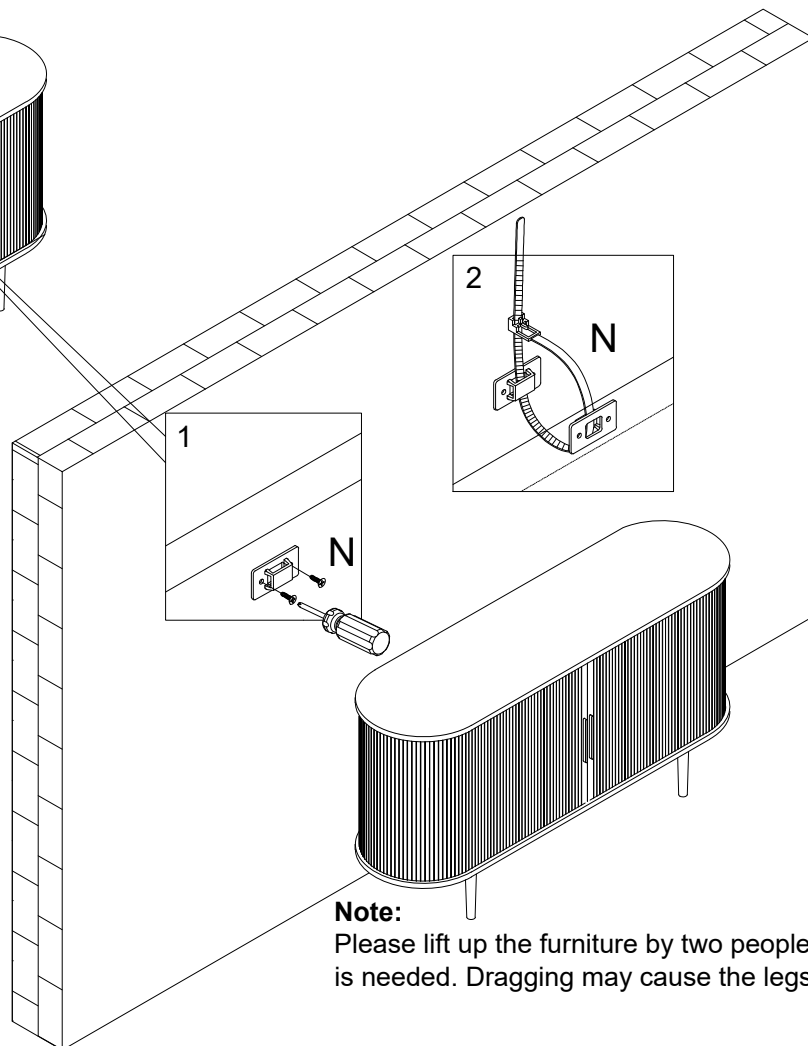
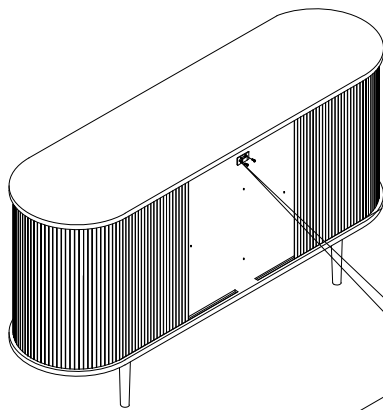
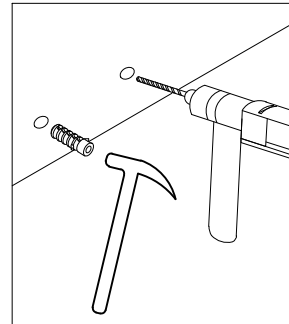
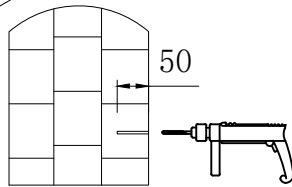
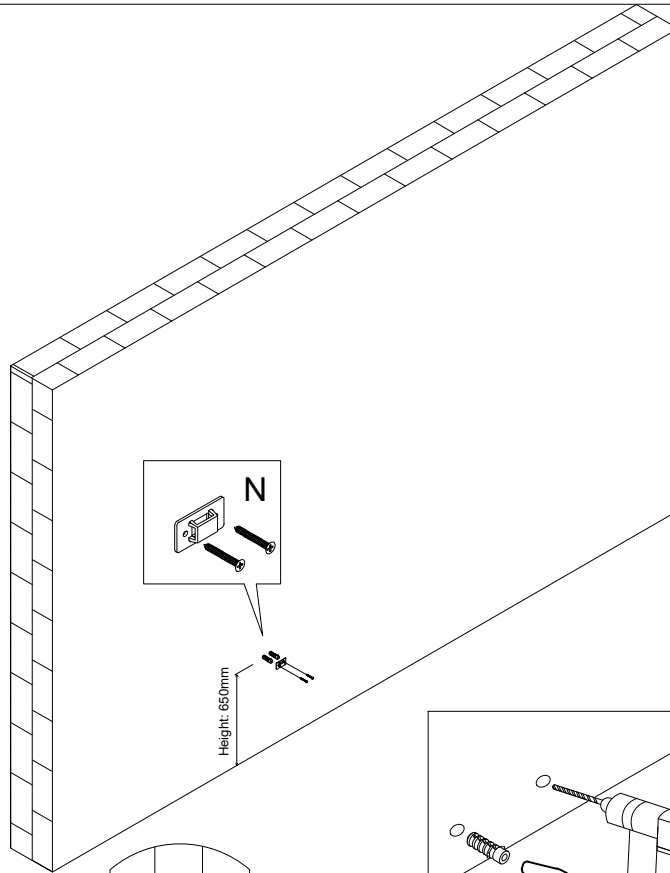
No. L

Quantity: 14 Pcs

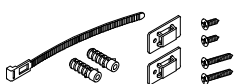
Sticker
φ20



STEP 13



No. N
Quantity: 1 Set
Anti-falling Parts



Note:
Please lift up the furniture by two people when moving is needed. Dragging may cause the legs failure.

TATE-SB 14

⚠ WARNING





Children have died from furniture tipover.

- ALWAYS secure this furniture with an anchor device.
- NEVER allow children to stand, climb or hang on drawers, doors, or shelves.
- ALWAYS secure your television with an anchor device.

This is a permanent label! Do not remove!

Great job. You're done!

Don't forget to share how it looks in your space and tag us on Instagram.
@lifelyhome#homewithlifely!