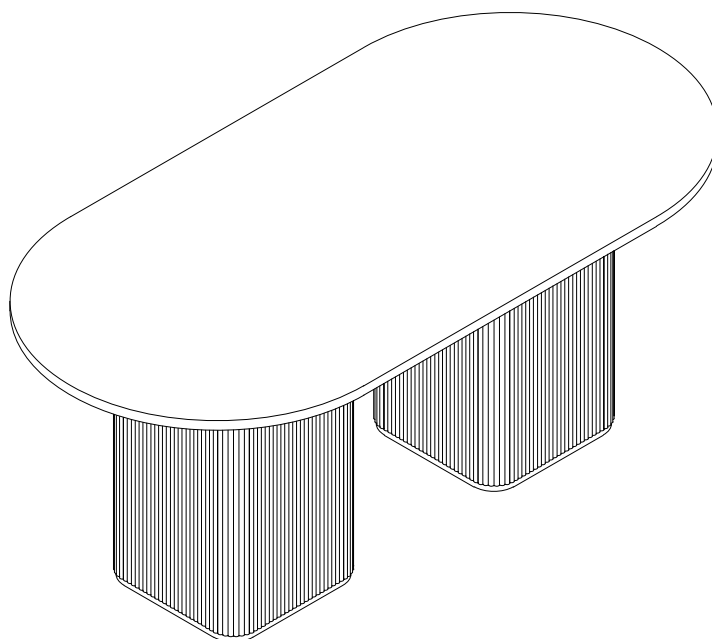


Assembly Instructions

Tate Series



Lifely*

Product Code

TATE-RODT220-BLACK Dining Table

TATE-RODT220-NATURAL Dining Table

Dimensions(W x D x H)

2200x900x750mm

Important

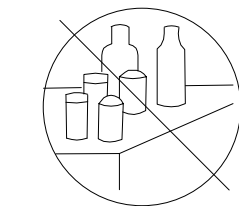
Please read through instruction carefully
Before assembly and keep for future reference.

For our full catalogue of assembly instructions,
Visit: lifely.com.au/assembly.

Important Tips and Maintenance



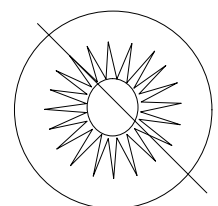
1. Keep children and animals away from working area as smaller parts may cause choking if swallowed.



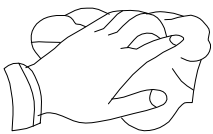
2. Never place liquids or anything damp upon furniture as it will mark. Ensure a coaster or running is beneath.



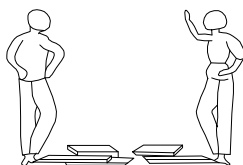
3. Never use ammonia based cleaning products as it will damage the finish.



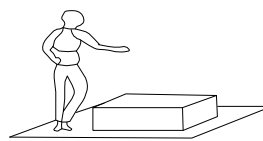
4. To avoid fading, keep furniture out of direct sunlight.



5. Use a soft cloth (dry cloth) when wiping or cleaning surfaces.



6. Two person are required.



7. Lay a soft matt down to protect the furniture piece before and during assembly.

So your relationship is strong. But is it flat-pack furniture strong? Unless you're an aerospace engineer, assembling furniture can be slightly stressful. We recommend meditating quietly, pouring yourself a herbal tea (or slightly less herbal wine) and tackling things one step at a time. If you feel a passive aggressive remark coming on, try a compliment instead. E.g. "You're so good looking".

This 7-step assembly should take around 2 hours with an Allen Key - or 60 minutes with an electric drill. Godspeed.

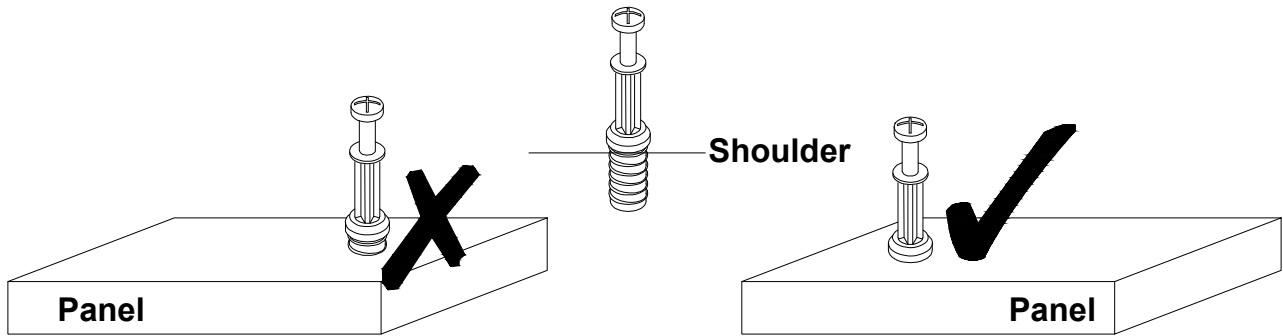
Designed for everyday

Before Assembly

Tips Before Your Start:

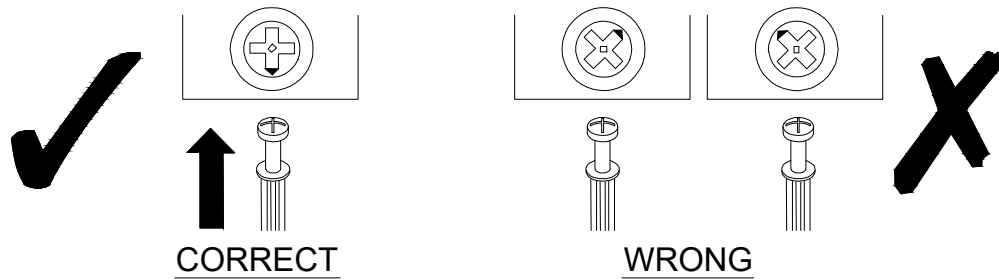
- Remove all wrapping material, including staples & packing straps before you start to assemble.
- DO NOT tighten all screws and bolts until completely assembled.
- Keep all hardware parts out of reach of children.

QUICKFIT



Tighten quickfit until shoulder is flush with panel. Do not overtighten or undertighten.

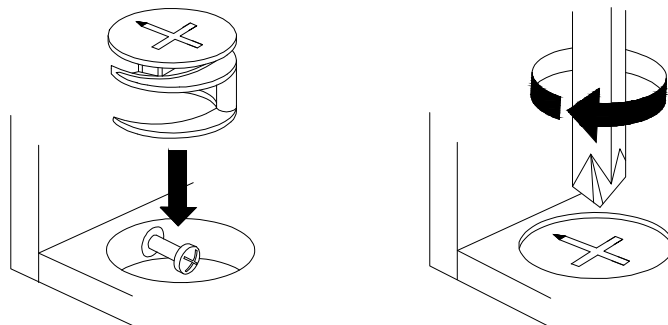
CAM LOCK



When fitting cam lock, ensure starting position is correct before you insert connecting quickfit.

Quickfit head should be in the centre of the cam lock when the two panels are joined.

Cam lock should be inserted before quickfit.



Turn cam lock clockwise to tighten.

Hardware is in box 1

Please check you have all the fittings
part or tools are listed in below.

No. A
Quantity:32Pcs
Cam Lock Dowel
8*28mm



No. B
Quantity:64Pcs
Dowel
8*30mm



No. C
Quantity:32Pcs
Cam Lock
φ15mm



No. D
Quantity:32Pcs
Screw
M6*50



No. E
Quantity:2Pcs
Allen Key
4#



No. F
Quantity:8Pcs
Screw
M8*35mm



No. G
Quantity:8Pcs
Screw Washer
φ18



No.H
Quantity:1Pc
Allen Key
5#



No. I
Quantity:8Pcs
Foot Pad
φ20

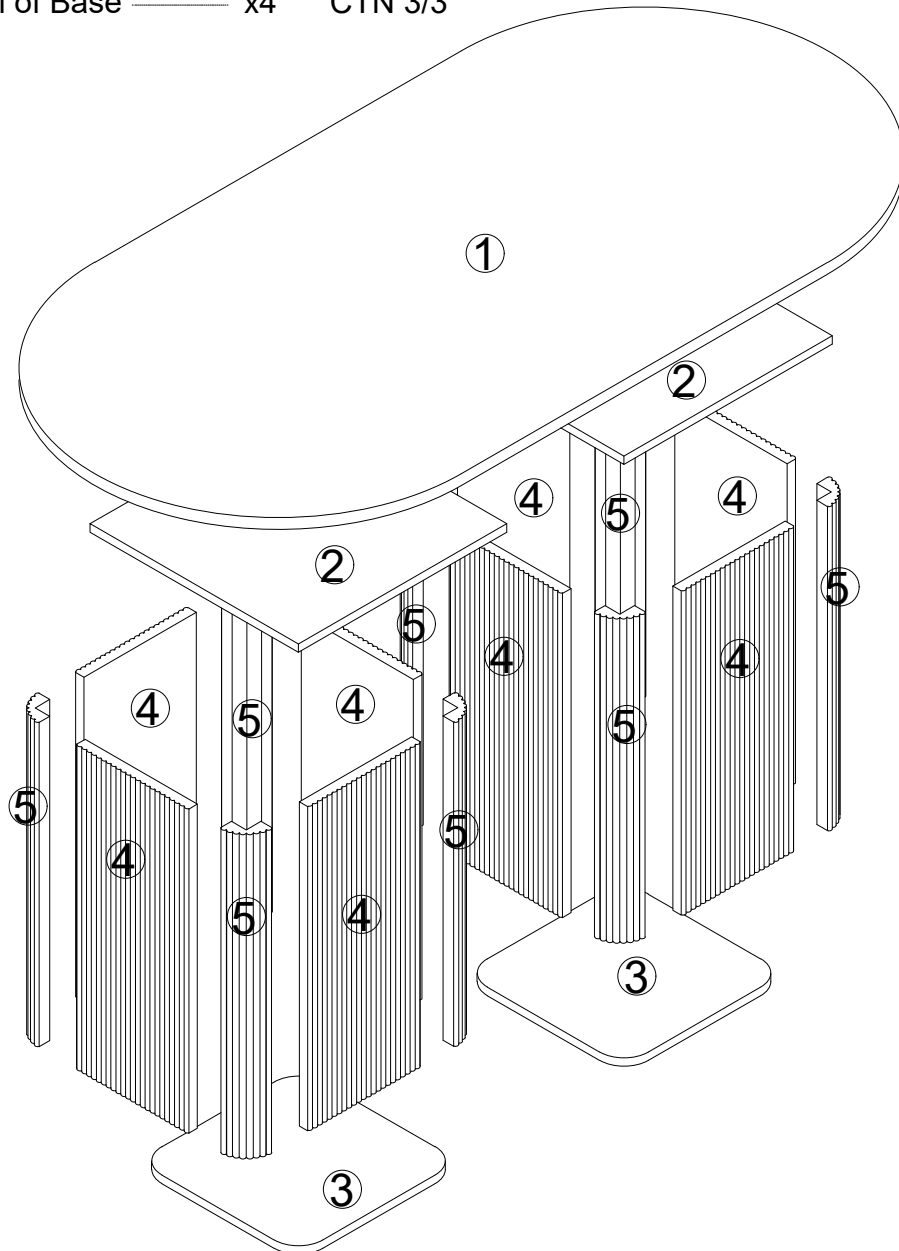


Component Panels & part List

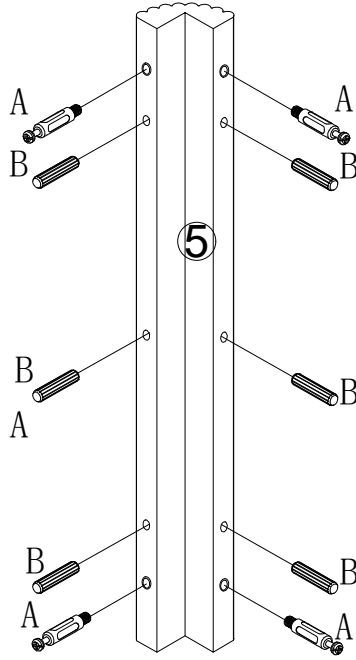
Please check you have all the panels are listed below.

1. Table Top ————— x1 CTN 2/3
2. Top Panel of Base ——— x1 CTN 1/3
3. Bottom Panel of Base ——— x1 CTN 1/3
4. Side Panel of Base ——— x4 CTN 1/3
5. Corner Rail of Base ——— x4 CTN 1/3

2. Top Panel of Base ——— x1 CTN 3/3
3. Bottom Panel of Base ——— x1 CTN 3/3
4. Side Panel of Base ——— x4 CTN 3/3
5. Corner Rail of Base ——— x4 CTN 3/3



STEP 1



No. A
Quantity:32 Pcs
Cam Lock Dowel
8*28mm

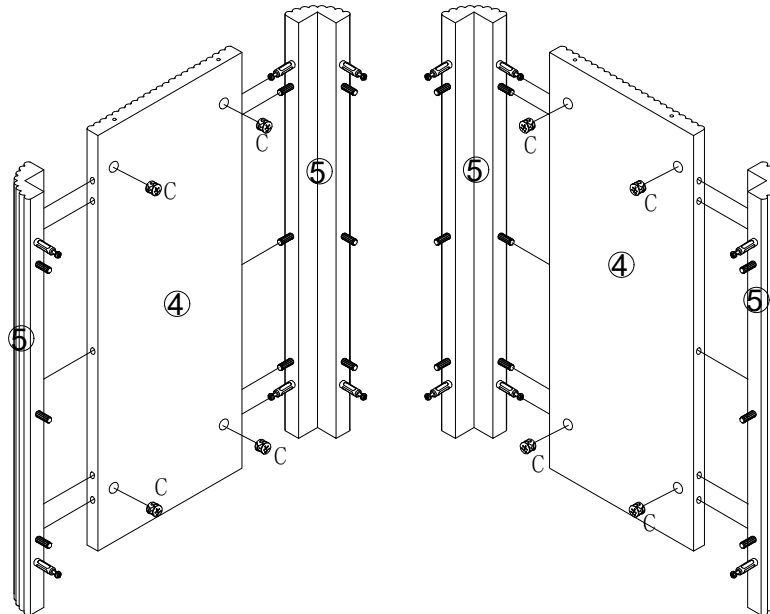


No. B
Quantity:48 Pcs
Dowel
8*30mm



x8

STEP 2



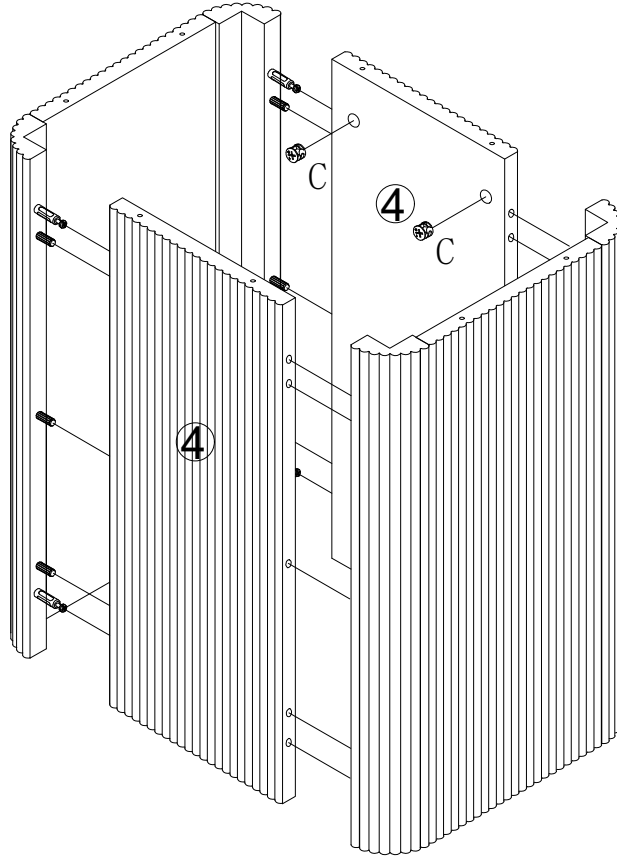
No. C
Quantity:16Pcs
Cam Lock



x2

TATE-RODT220 7

STEP 3

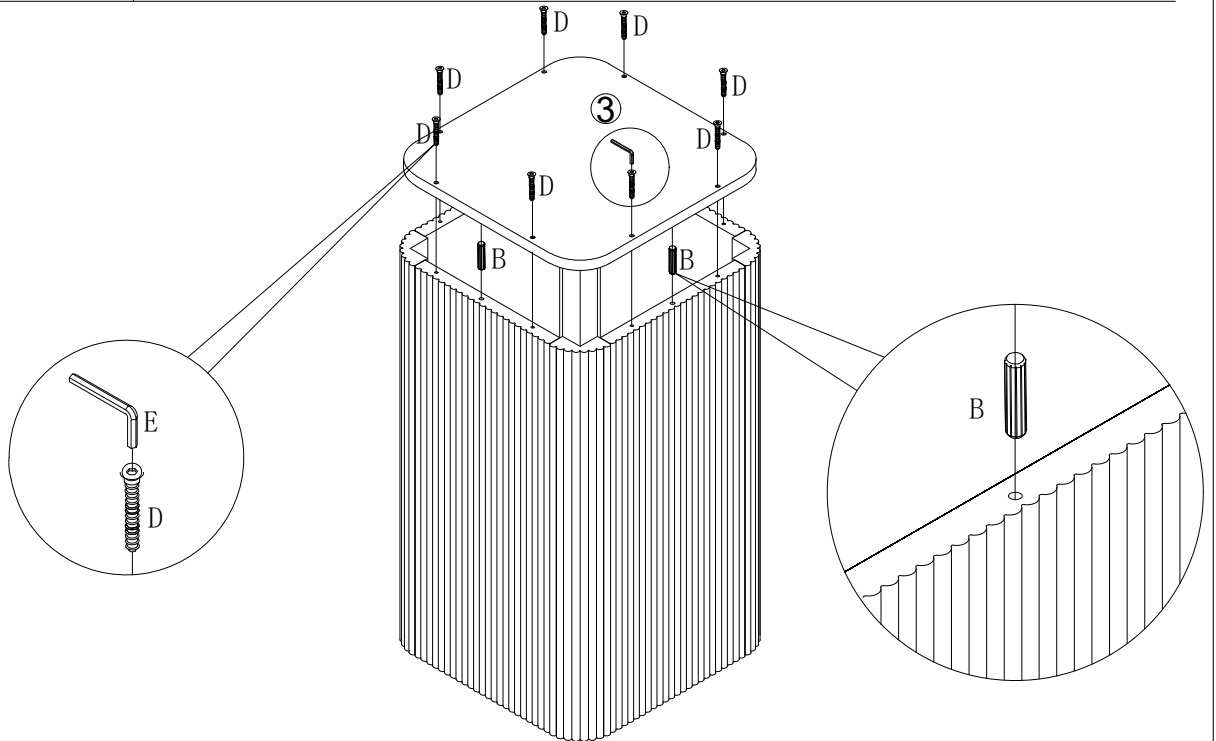


No. C
Quantity: 16Pc
Cam Lock



x2

STEP 4



No. B
Quantity: 8 Pcs
Dowel
8*30mm



No. D
Quantity: 16 Pcs
Screw
M6*50mm



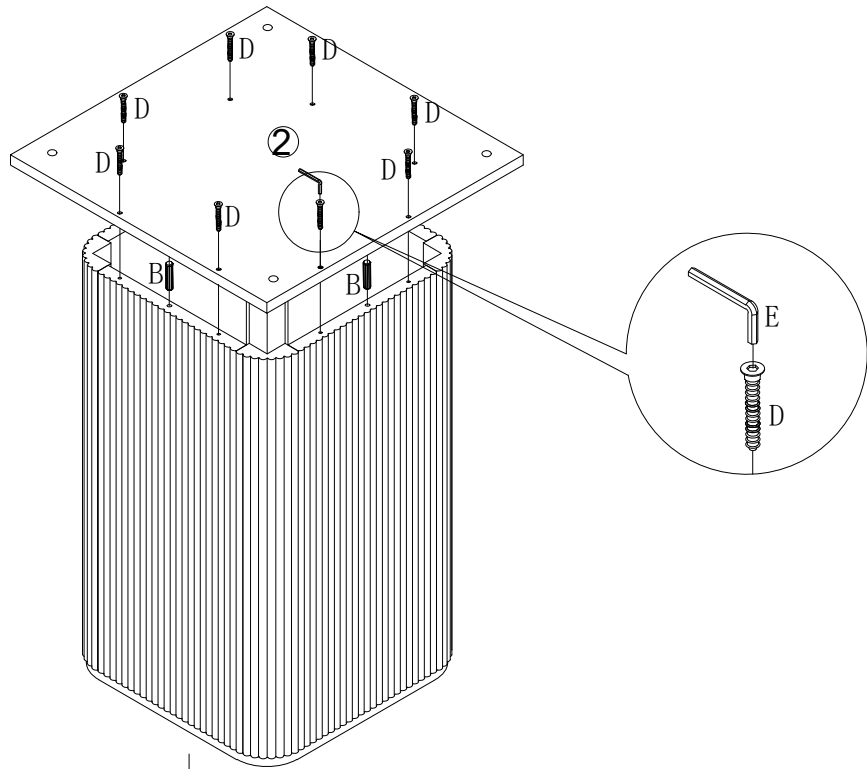
No. E
Quantity: 2 Pcs
Allen Key
4#



x2

TATE-RODT220 8

STEP 5



No. B
Quantity: 8 Pcs
Dowel
8*30mm

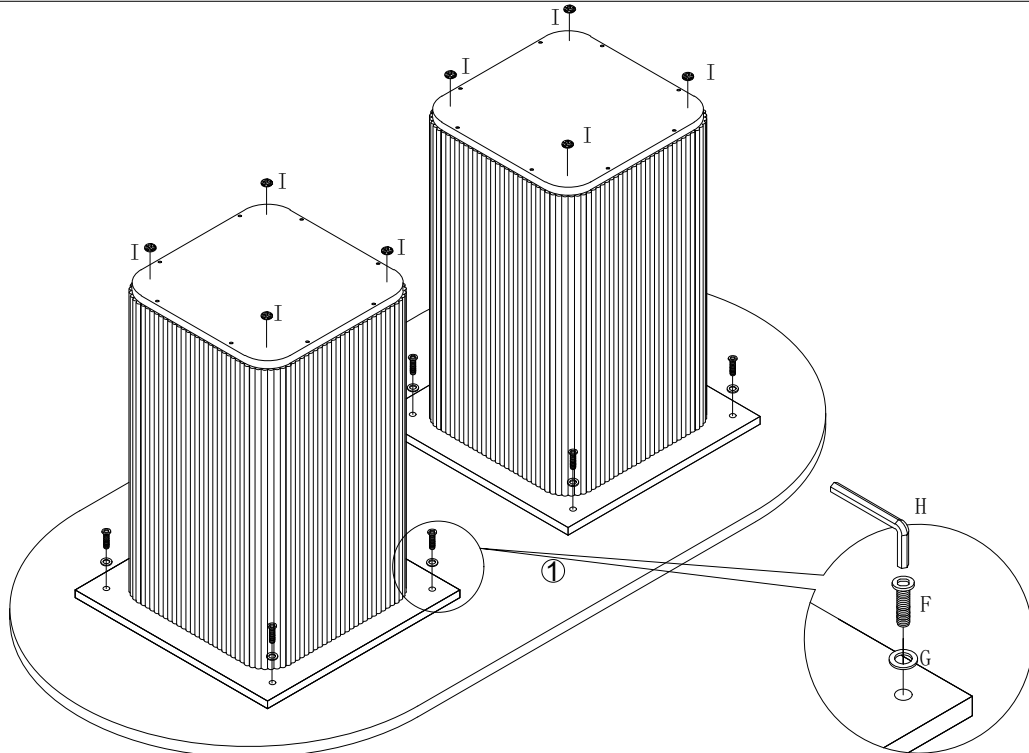


No. D
Quantity: 16 Pcs
Screw
M6*50mm



x2

STEP 6



No. F
Quantity: 8 Pcs
Screw
M8*35mm



No. G
Quantity: 8 Pcs
Screw Washer
φ18mm



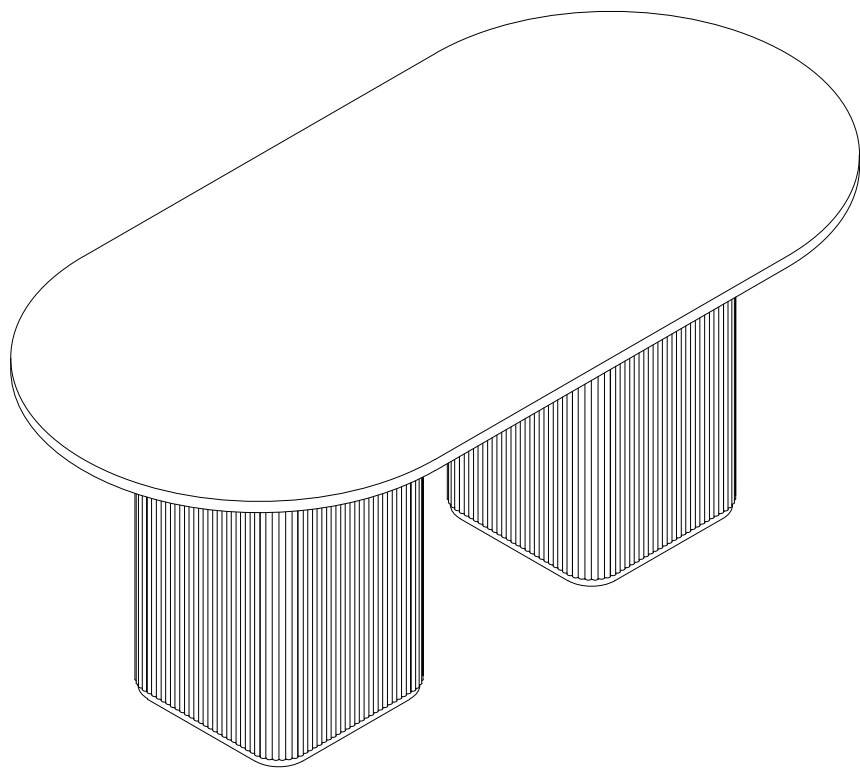
No. H
Quantity: 1 Pc
Allen Key
5#



No. I
Quantity: 8 Pcs
Foot Pad
φ20mm



STEP 7



lifely.com.au

Great job. You're done!

Don't forget to share how it looks in
your space and tag us on Instagram.
[@lifelyhome](#)[#homewithlifely!](#)