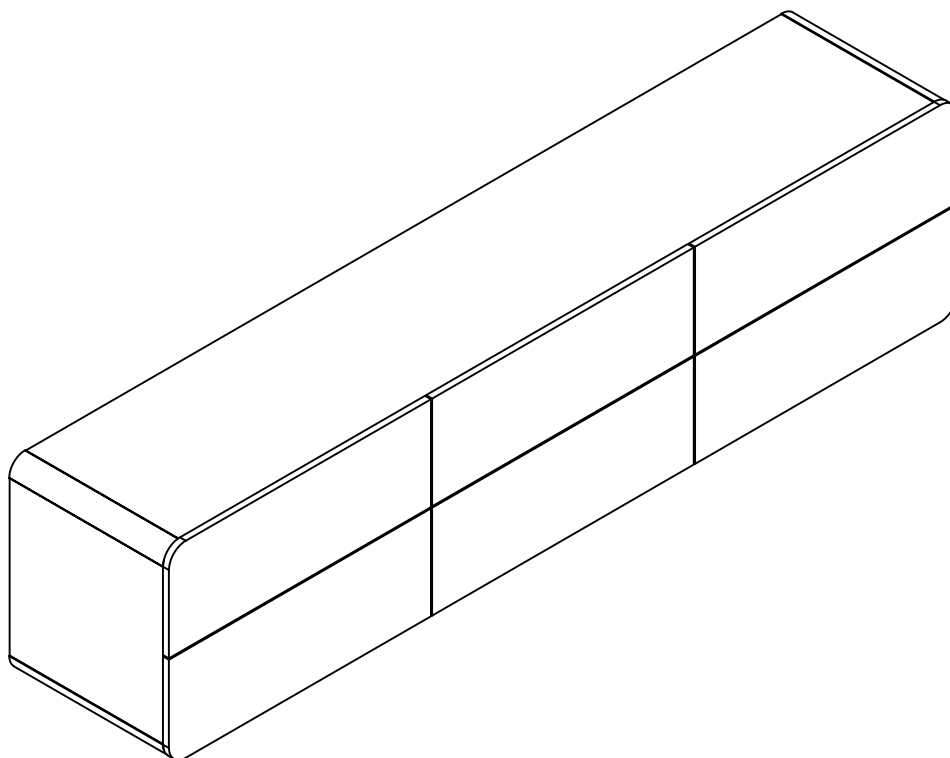


Assembly Instructions

May Series



Lifely*

Product Code

MAY-TV200-OAK May TV 200cm

Dimensions(W x D x H)

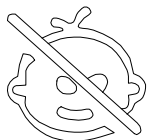
2000*400*500mm

Important

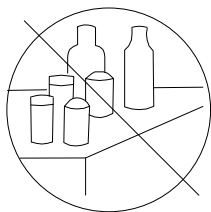
Please read through instruction carefully
Before assembly and keep for future reference.

For our full catalogue of assembly instructions,
Visit: lifely.com.au/assembly.

Important Tips and Maintenance



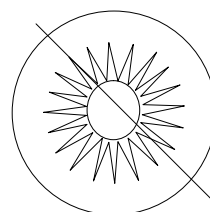
1. Keep children and animals away from working area as smaller parts may cause choking if swallowed.



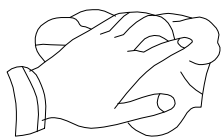
2. Never place liquids or anything damp upon furniture as it will mark. Ensure a coaster or running is beneath.



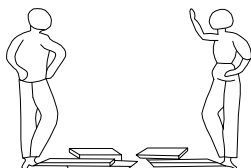
3. Never use ammonia based cleaning products as it will damage the finish.



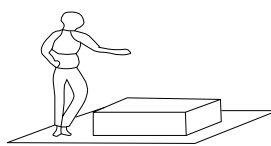
4. To avoid fading, keep furniture out of direct sunlight.



5. Use a soft cloth(dry cloth)when wiping or cleaning surfaces.



6. Two person are required.



7. Lay a soft matt down to protect the furniture piece before and during assembly.

So your relationship is strong. But is it flat-pack furniture strong? Unless you're an aerospace engineer, assembling furniture can be slightly stressful. We recommend meditating quietly, pouring yourself a herbal tea(or slightly less herbal wine) and tackling things one step at a time. If you feel a passive aggressive remark coming on, try a compliment instead.E.g. "You're so good looking"

This 16-step assembly should take around 70 minutes with an Allen Key - or 50 minutes with and electric drill. Godspeed.

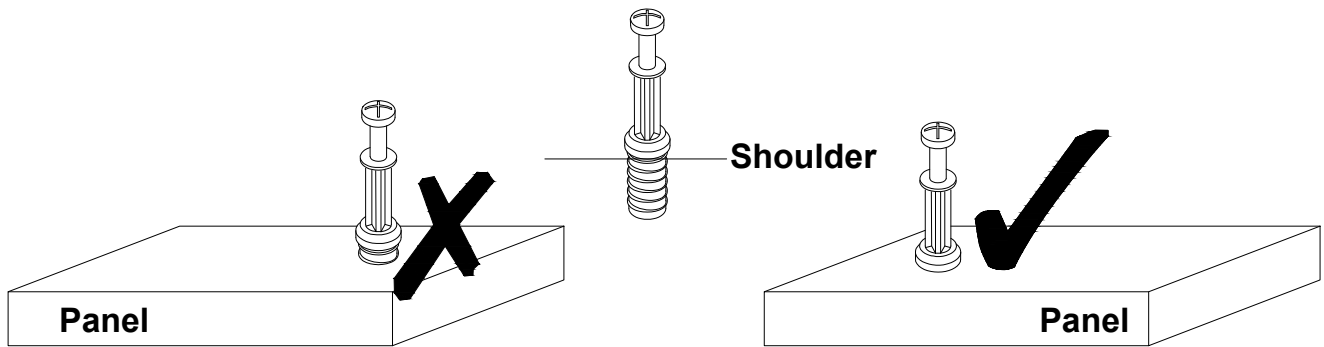
Designed for everyday

Before Assembly

Tips Before Your Start:

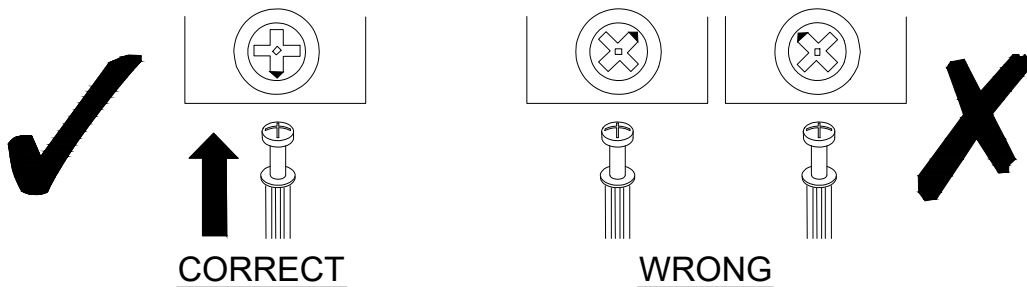
- Remove all wrapping material, including staples & packing straps before you start to assemble.
- DO NOT tighten all screws and bolts until completely assembled.
- Keep all hardware parts out of reach of children.

QUICKFIT



Tighten quickfit until shoulder is flush with panel. Do not overtighten or undertighten.

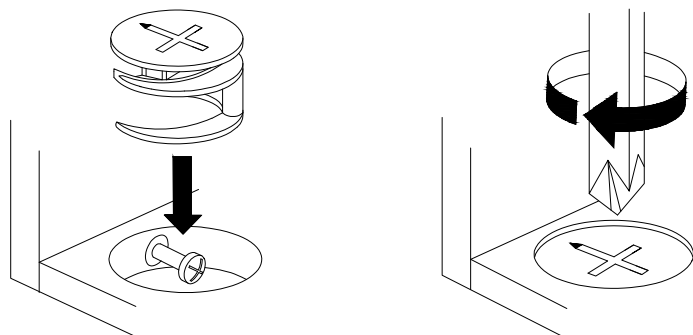
CAM LOCK



When fitting cam lock, ensure starting position is correct before you insert connecting quickfit.

Quickfit head should be in the centre of the cam lock when the two panels are joined.

Cam lock should be inserted before quickfit.



Turn cam lock clockwise to tighten.

Hardware is in box 1

Please check you have all the fittings part or tools are listed in below.

No. A

Quantity:60 Pcs
Cam Lock Dowel
8*28mm



No. B

Quantity:24 Pcs
Dowel
8*30mm



No. C

Quantity:60 Pcs
Cam
φ15



No. D

Quantity:72 Pcs
Screw
3.5*15mm



No. E

Quantity:8 Pcs
Screw
4*25mm



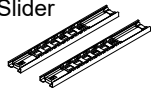
No. F

Quantity:24 Pcs
Screw
4*35mm



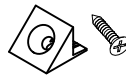
No. G

Quantity:6 Sets
Drawer Slider
10"



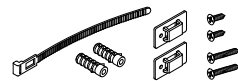
No. H

Quantity:8 Pcs
Plastic Wedge



No. I

Quantity:2 Sets
Anti-falling Parts



No. J

Quantity:60 Pcs
Sticker
φ21



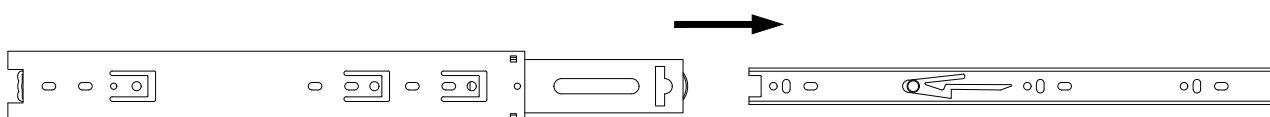
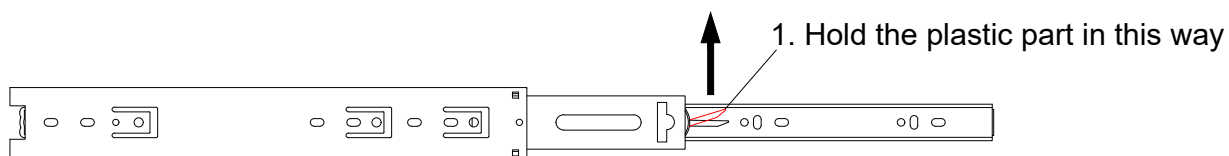
Quantity:1Pc
Power Driver



Before Assembly

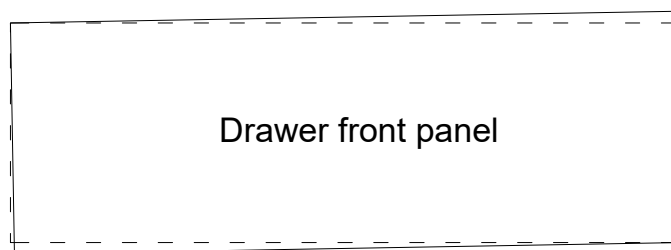
Tips Before Your Start

How to separate the drawer slider:

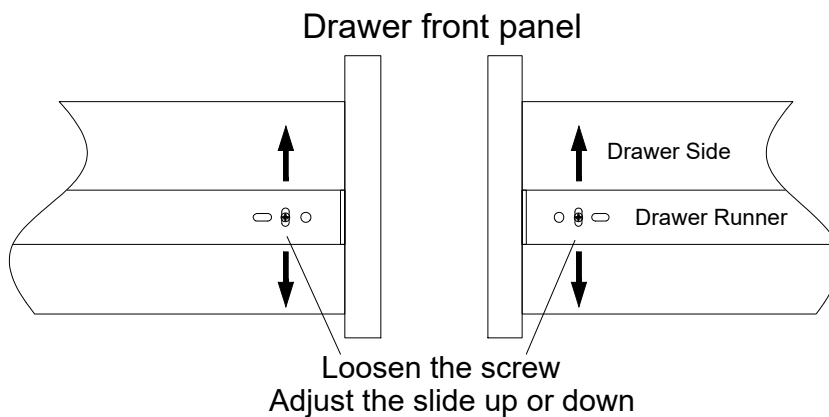


2. Pull out the inner slider for drawer box fixing

Drawer Front Alignment



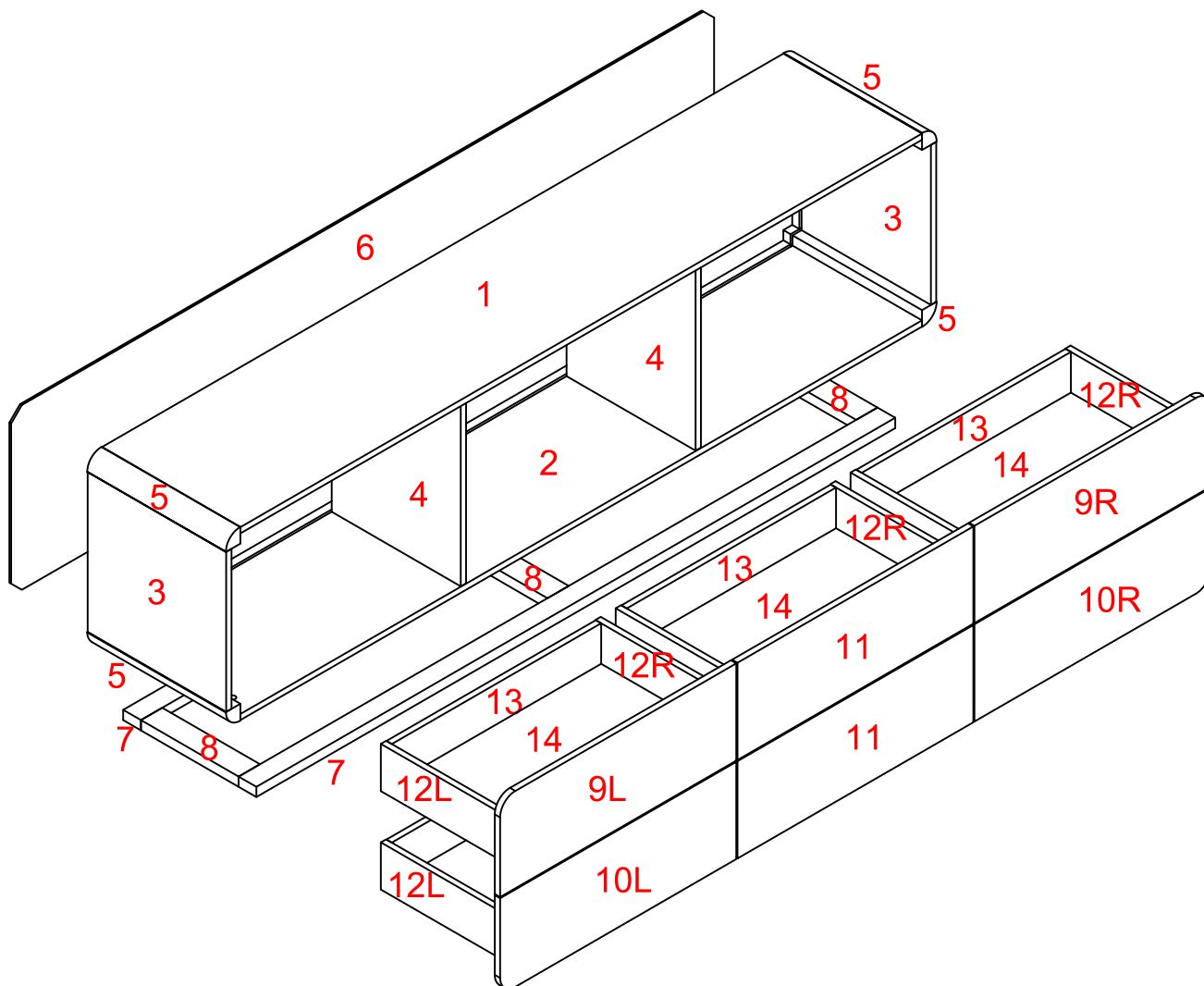
If the drawer front panel is NOT level after being assembled, then...



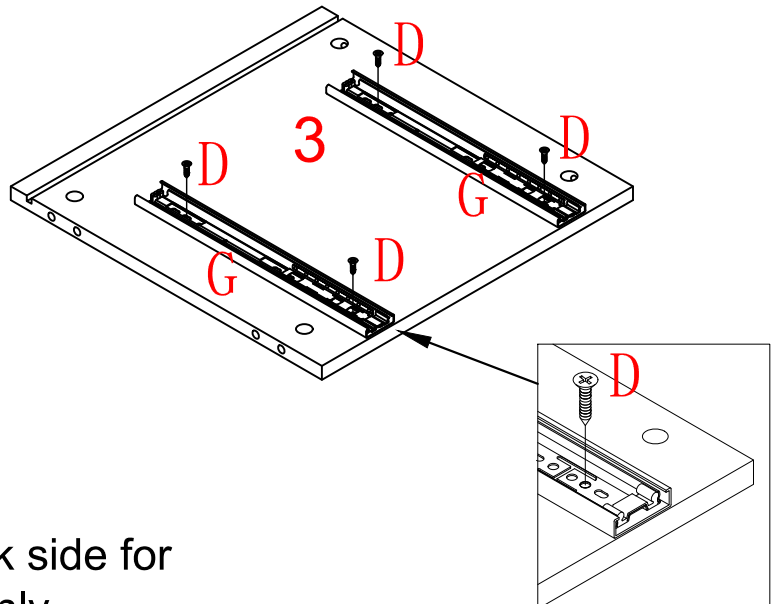
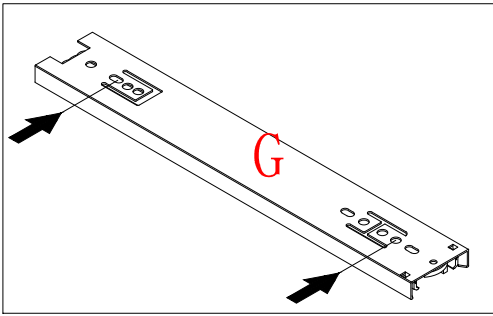
Component Panels & part List

Please check you have all the panels are listed below.

- | | | | |
|-------------------------|------------|----------------------------------|------------|
| 1. TOP PANEL | x1 CTN 2/2 | 9L. DOOR PANEL_UP LEFT | x1 CTN 1/2 |
| 2. BOTTOM PANEL | x1 CTN 2/2 | 9R. DOOR PANEL_UP RIGHT | x1 CTN 1/2 |
| 3. SIDE PANEL | x2 CTN 2/2 | 10L. DOOR PANEL_DOWN LEFT | x1 CTN 1/2 |
| 4. DIVISION PANEL | x2 CTN 2/2 | 10R. DOOR PANEL_DOWN RIGHT | x1 CTN 1/2 |
| 5. CORNER | x4 CTN 1/2 | 11. DOOR PANEL_MIDDLE | x2 CTN 1/2 |
| 6. BACK BOARD | x1 CTN 2/2 | 12L. DRAWER PANEL_LEFT | x6 CTN 1/2 |
| 7. BRACE LEG | x2 CTN 2/2 | 12R. DRAWER PANEL_RIGHT | x6 CTN 1/2 |
| 8. SIDE BRACE LEG | x3 CTN 1/2 | 13. DRAWER BACK PANEL | x6 CTN 1/2 |
| | | 14. DRAWER BOTTOM PANEL | x6 CTN 1/2 |
| | | POWER DRIVER | x1 CTN 1/2 |



STEP 1



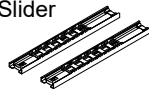
Note:

This is the drawer rail back side for holes position reference only.

No. D
Quantity:8 Pcs
Screw
3.5*15mm

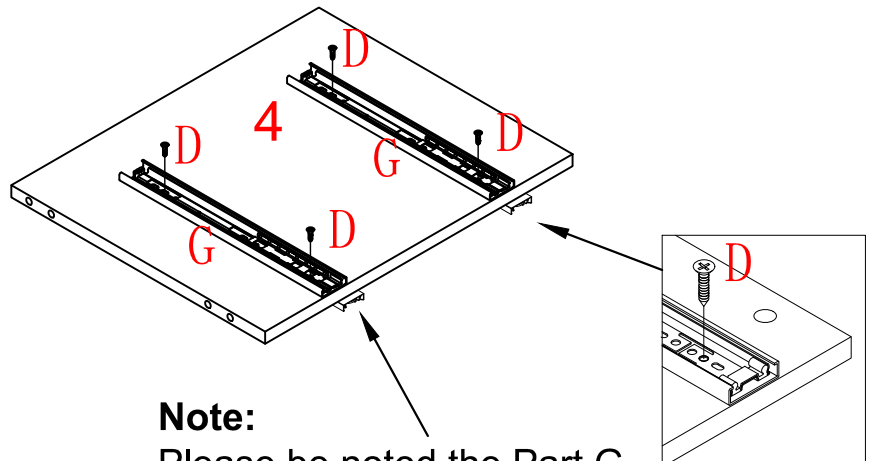
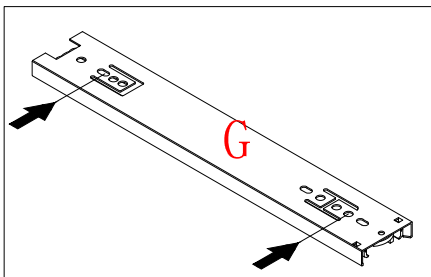


No. G
Quantity:2 Sets
Drawer Slider
10"



X2

STEP 2



Note:

This is the drawer rail back side for holes position reference only.

Note:

Please be noted the Part G drawer slider is fixed on the both sides of the Part 4.

No. D
Quantity:16 Pcs
Screw
3.5*15mm

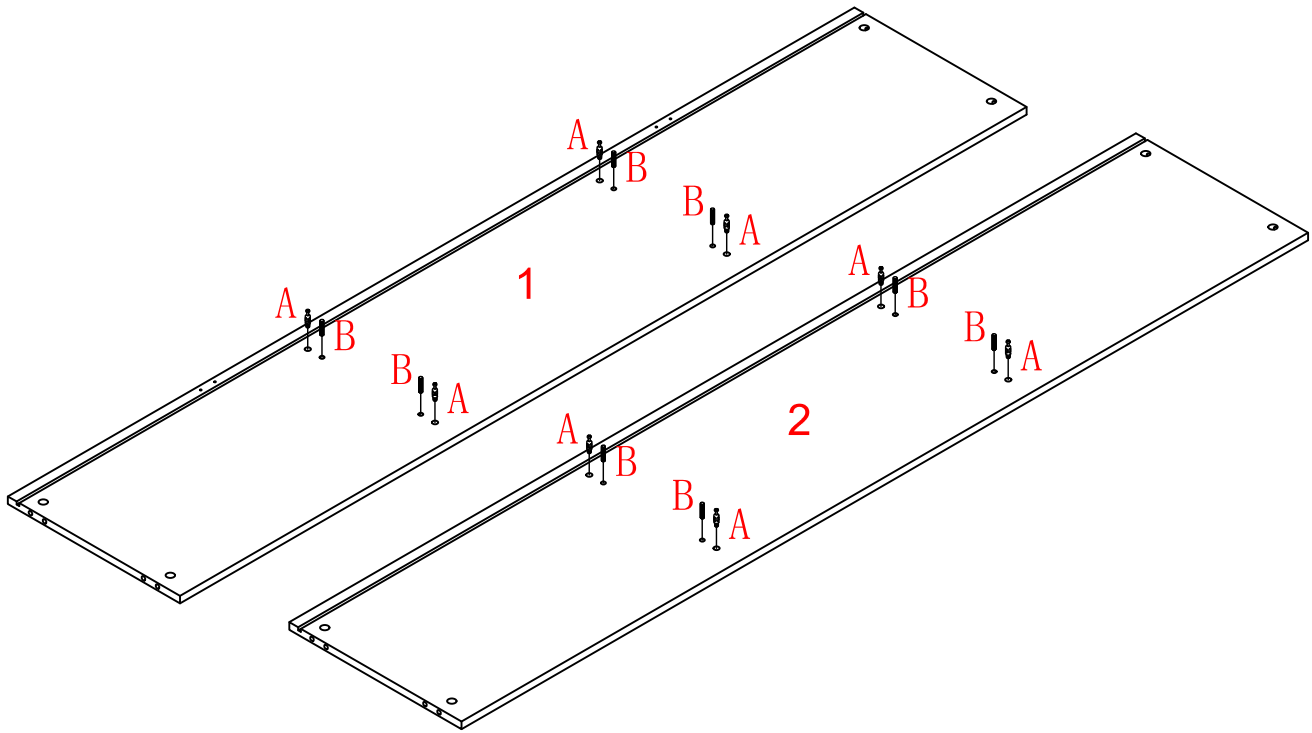


No. G
Quantity:4 Sets
Drawer Slider
10"



X2

STEP 3



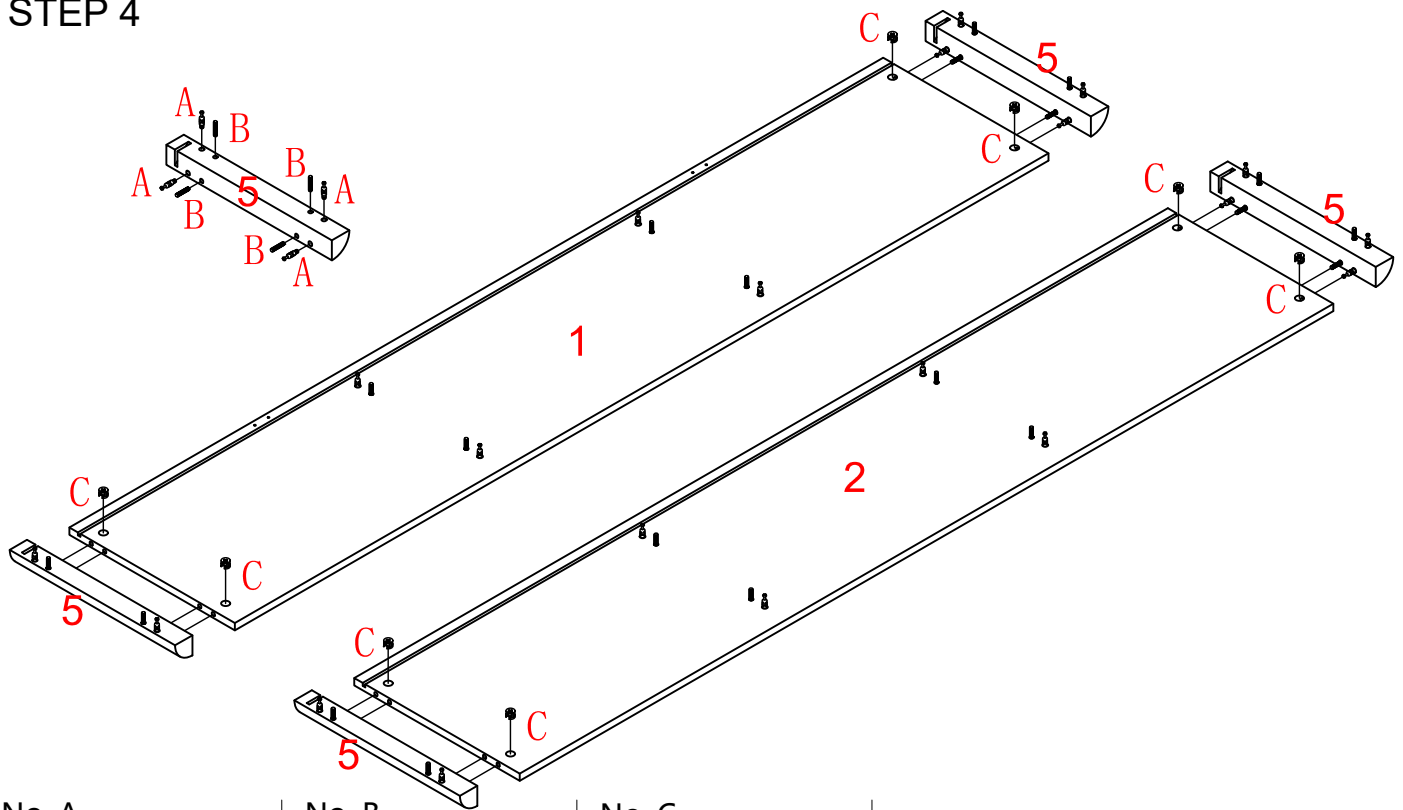
No. A
Quantity:8 Pcs
Cam Lock Dowel
8*28mm



No. B
Quantity:8 Pcs
Dowel
8*30mm



STEP 4



No. A
Quantity:16 Pcs
Cam Lock Dowel
8*28mm



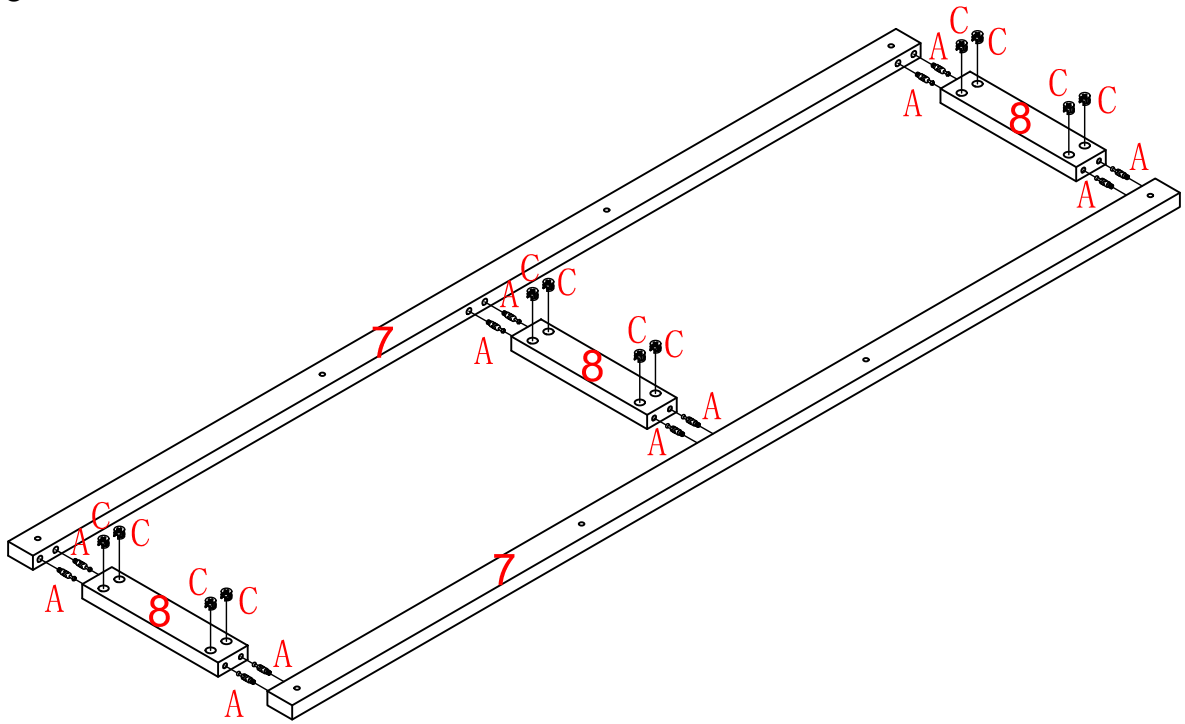
No. B
Quantity:16 Pcs
Dowel
8*30mm



No. C
Quantity:8 Pcs
Cam
φ15



STEP 5



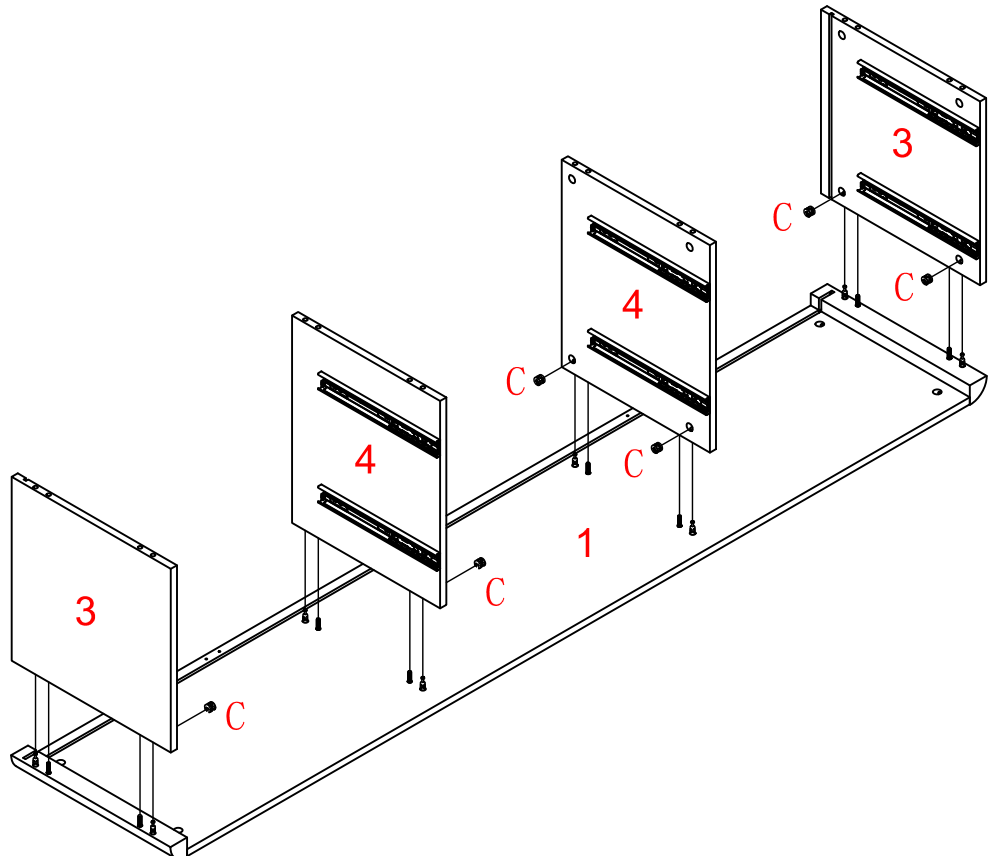
No. A
Quantity: 12 Pcs
Cam Lock Dowel
8*28mm



No. C
Quantity: 12 Pcs
Cam
φ15



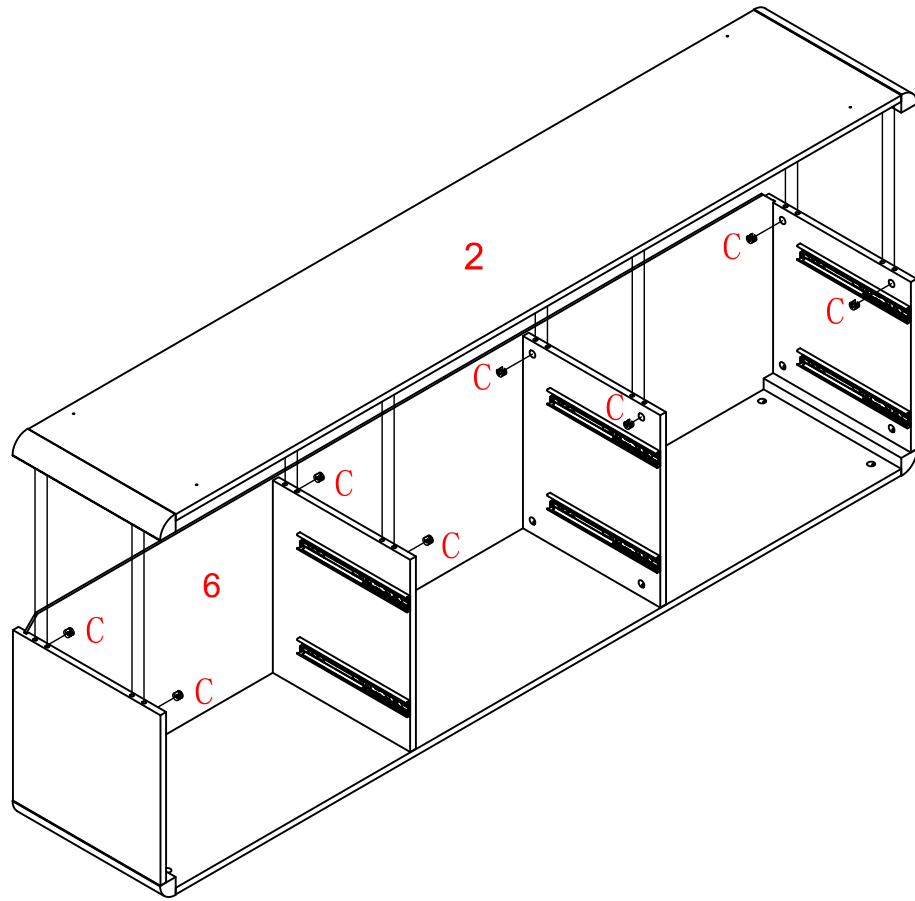
STEP 6



No. C
Quantity: 8 Pcs
Cam
φ15



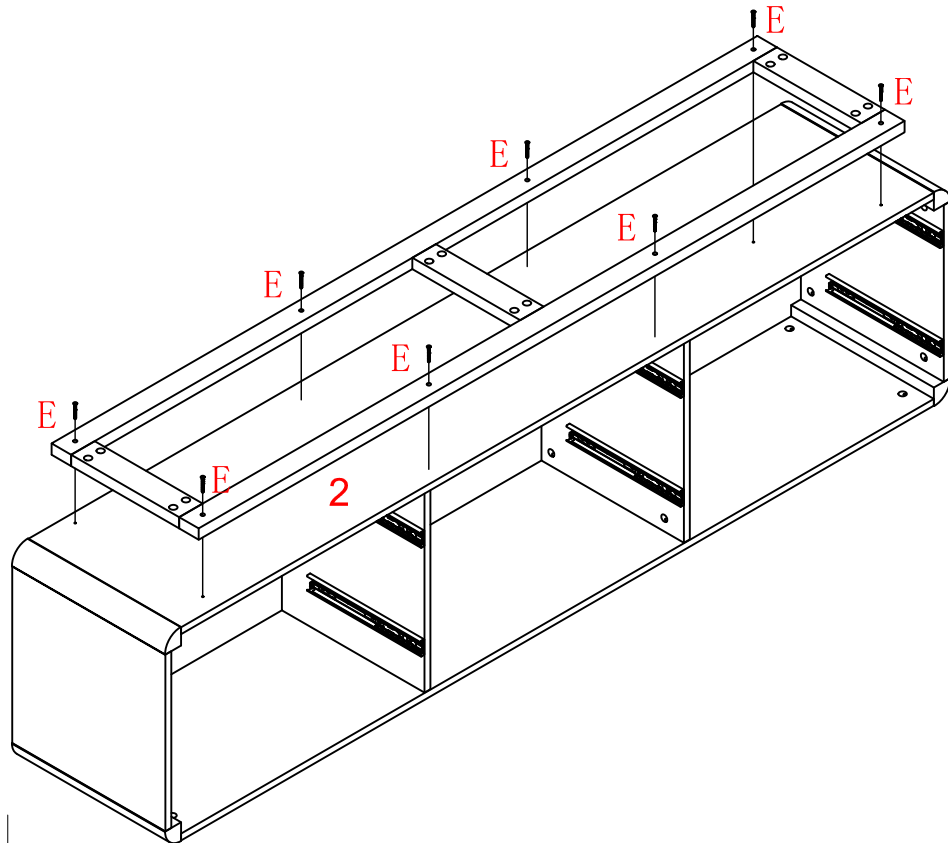
STEP 7



No. C
Quantity: 8 Pcs
Cam
φ15



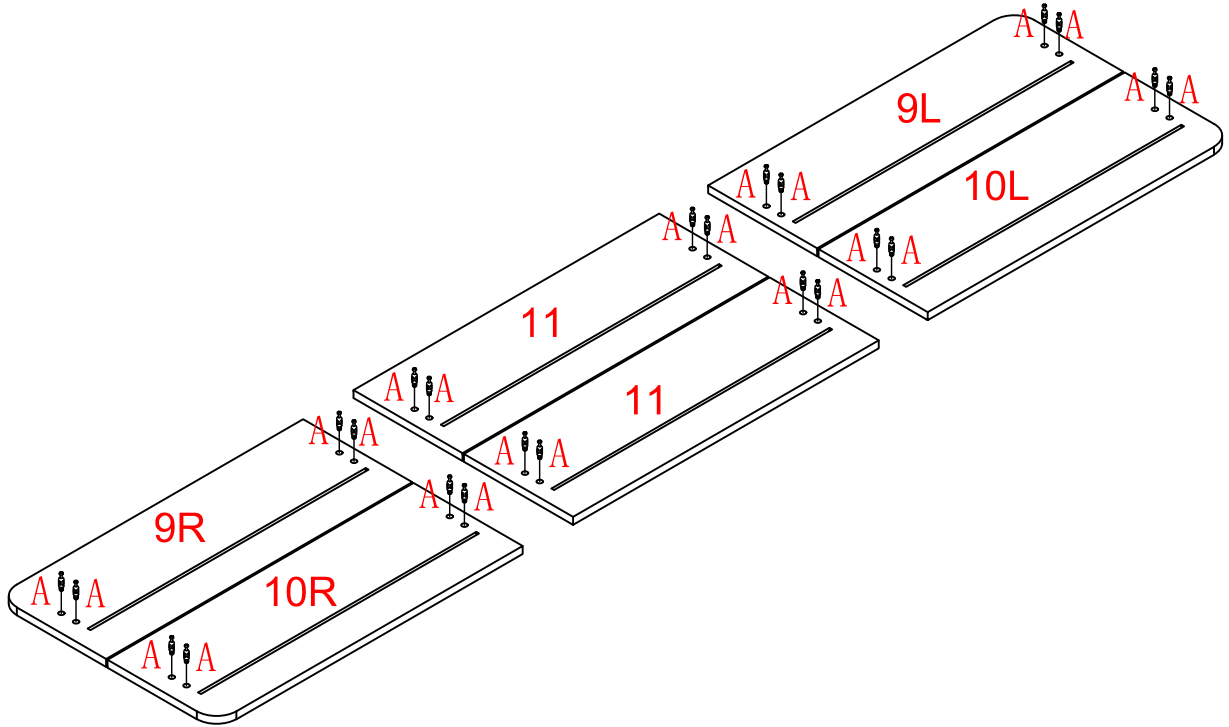
STEP 8



No. E
Quantity: 8 Pcs
Screw
4*25mm



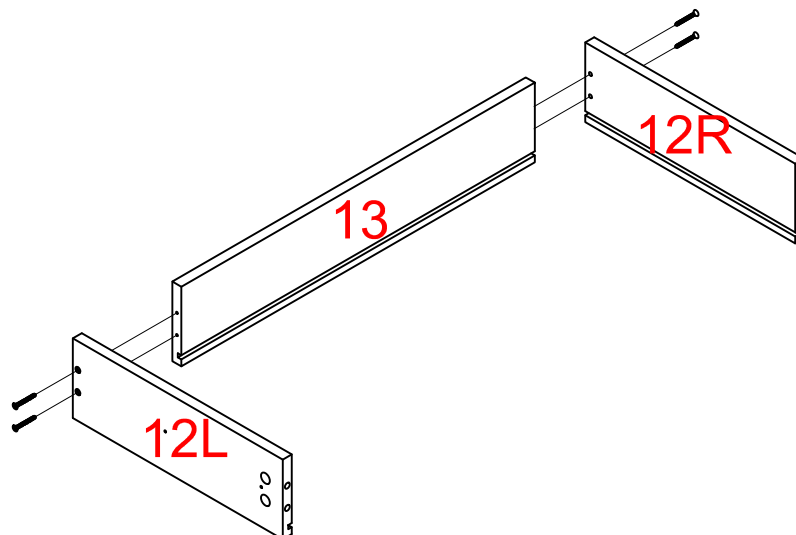
STEP 9



No. A
Quantity: 24 Pcs
Cam Lock Dowel
8*28mm



STEP 10

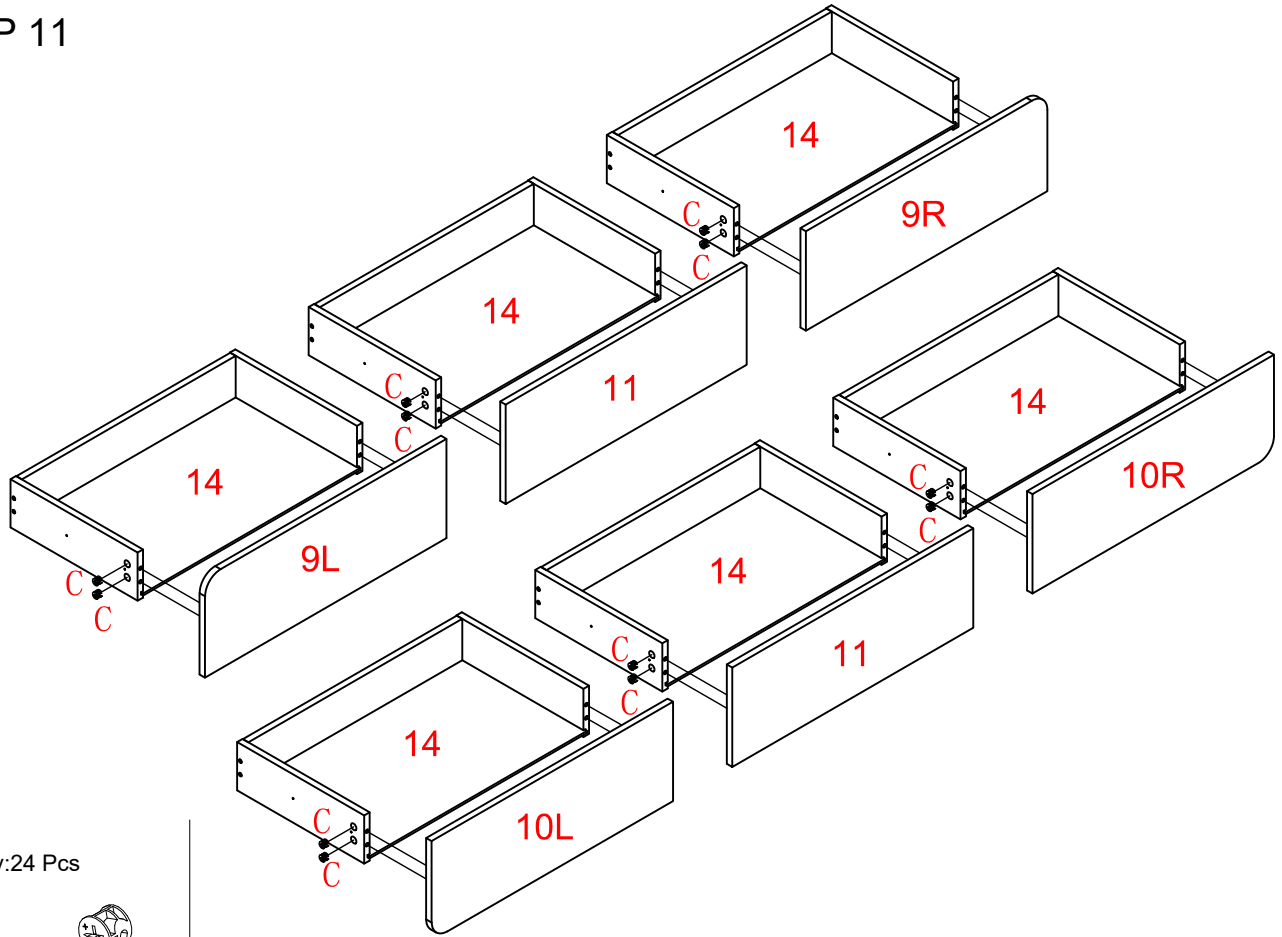


No. F
Quantity: 24 Pcs
Screw
4*35mm



X6

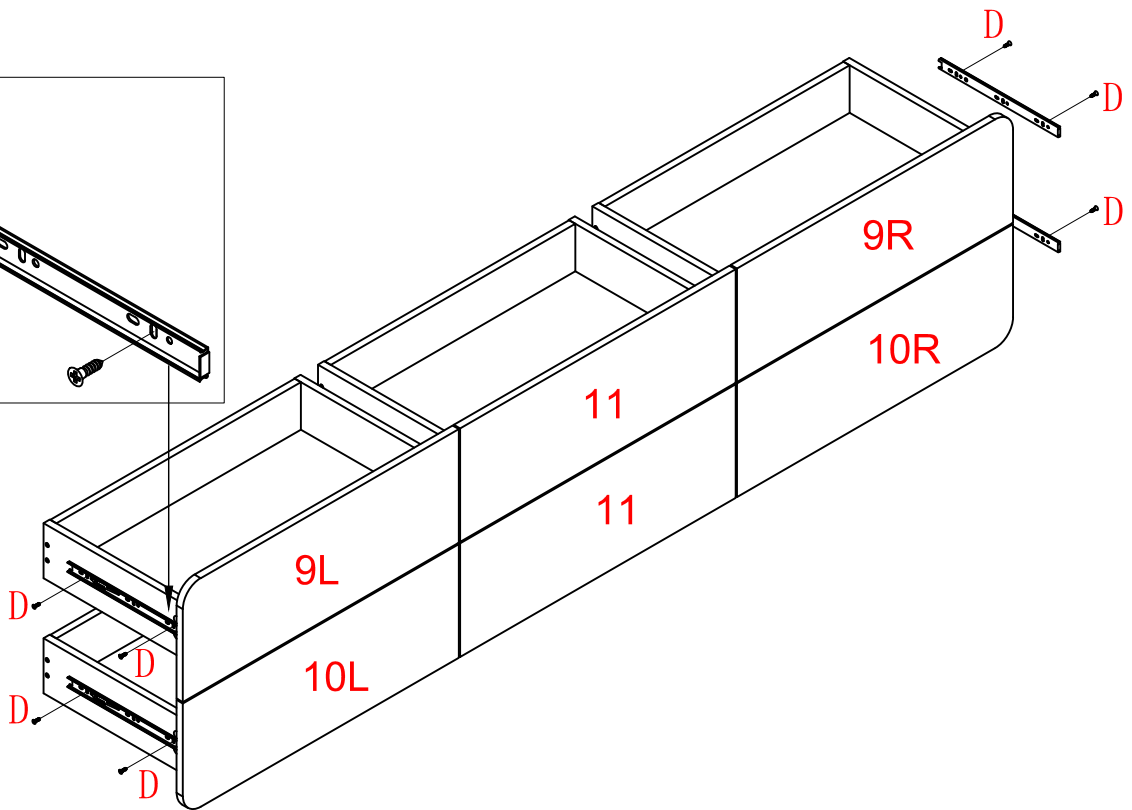
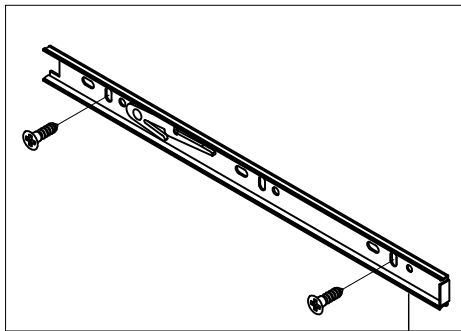
STEP 11



No. C
Quantity:24 Pcs
Cam
φ15



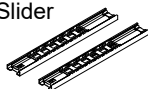
STEP 12



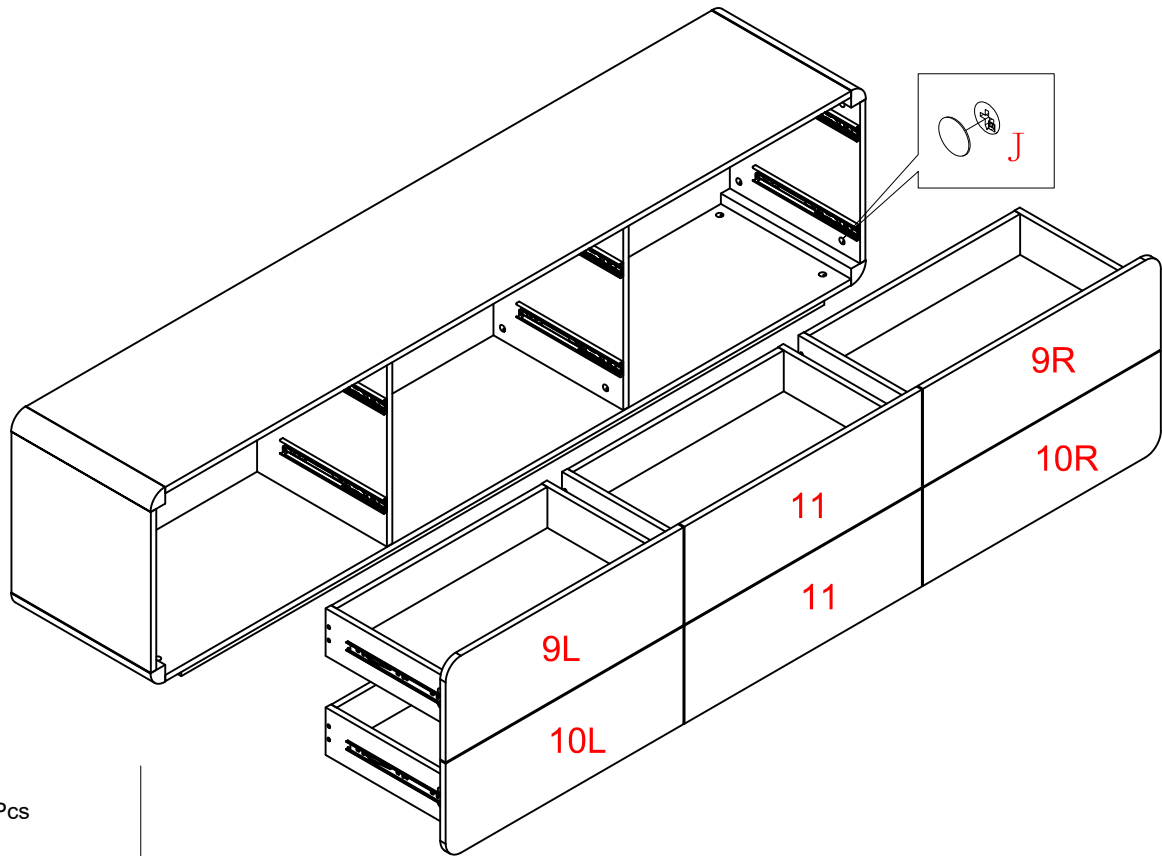
No. D
Quantity:24 Pcs
Screw
3.5*15mm



No. G
Quantity:6 Sets
Drawer Slider
10"



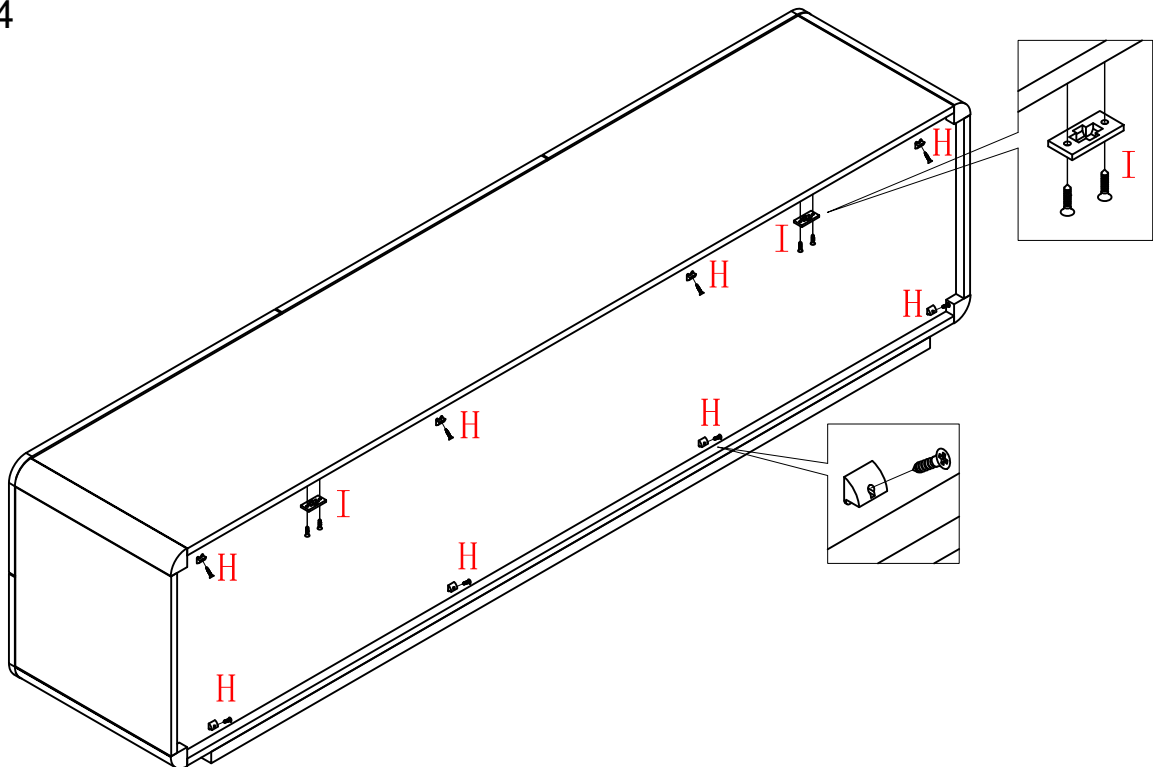
STEP 13



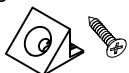
No. J
Quantity: 60 Pcs
Sticker
φ21



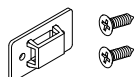
STEP 14



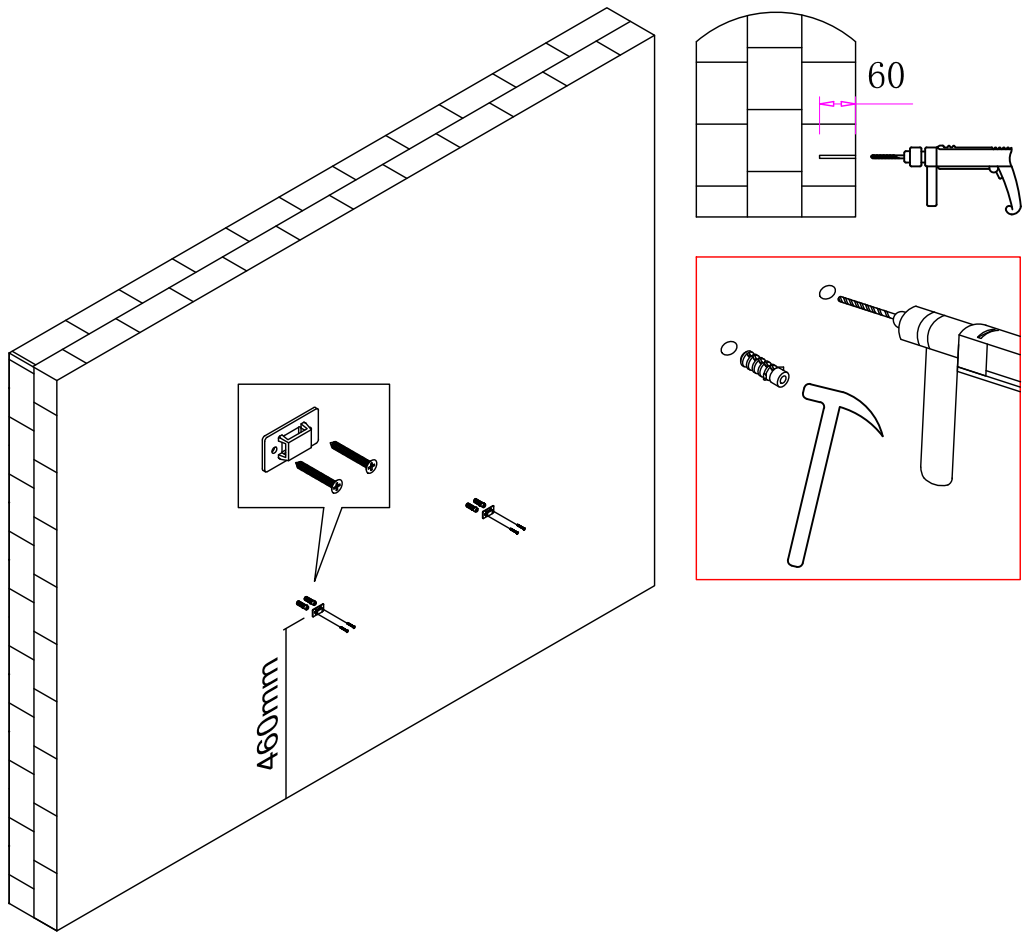
No. H
Quantity: 8 Pcs
Plastic Wedge



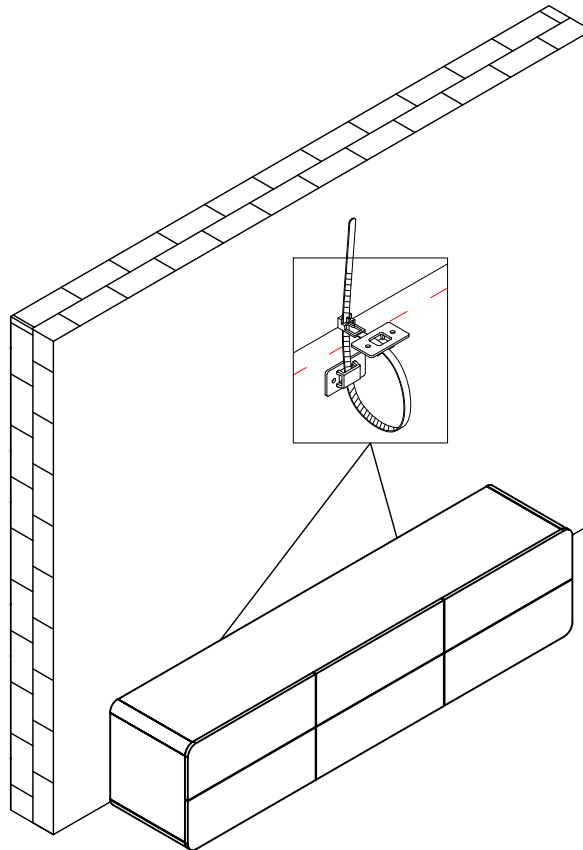
No. I
Quantity: 2 Sets
Anti-falling Parts



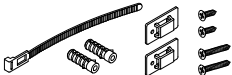
STEP 15



STEP 16



No. 1
Quantity: 2 Sets
Anti-falling Parts



Note:

Please lift up the furniture by two people when moving is needed.
Dragging may cause the legs failure.

⚠ WARNING



Children have died from furniture tipover.

- NEVER allow children to stand, climb or hang on drawers, doors, or shelves.
- ALWAYS secure your television with an anchor device.

This is a permanent label! Do not remove!

Great job. You're done!

Don't forget to share how it looks in your space and tag us on Instagram.
@lifelyhome#homewithlifely!