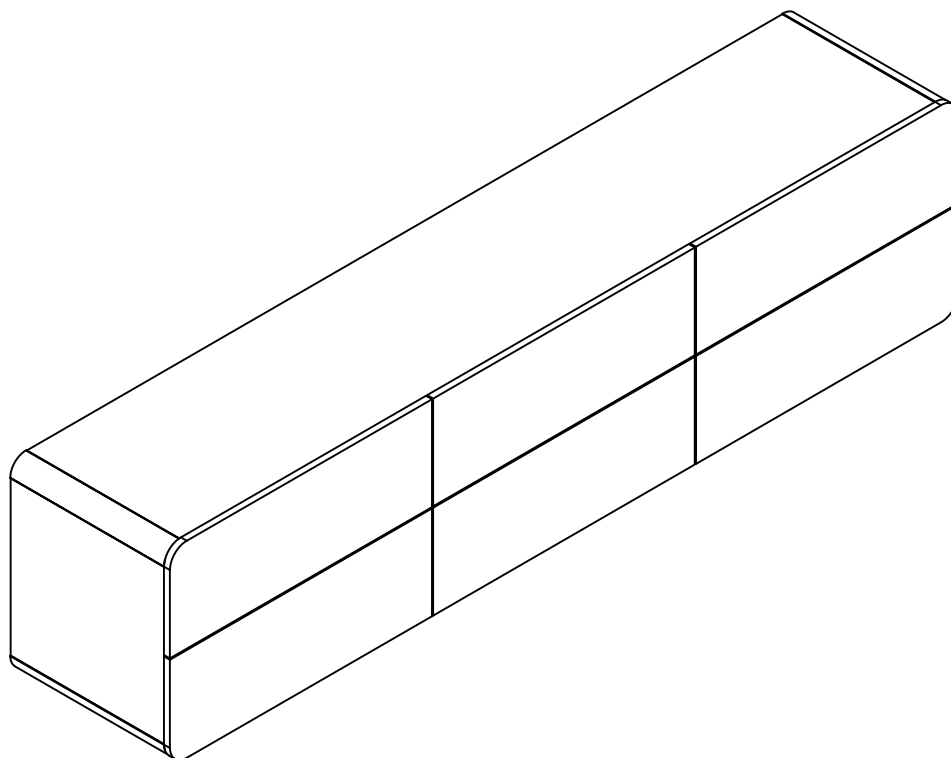


# Assembly Instructions

May Series



# Lifely\*

Product Code

MAY-TV200-OAK May TV 200cm

Dimensions(W x D x H)

2000\*400\*500mm

---

## Important

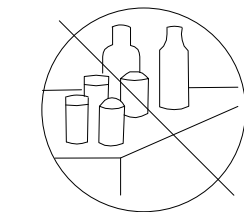
Please read through instruction carefully  
Before assembly and keep for future reference.

For our full catalogue of assembly instructions,  
Visit: [lifely.com.au/assembly](http://lifely.com.au/assembly).

## Important Tips and Maintenance



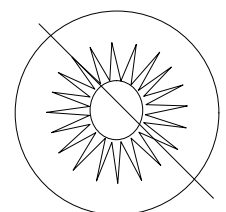
1. Keep children and animals away from working area as smaller parts may cause choking if swallowed.



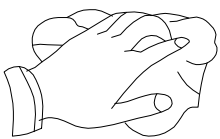
2. Never place liquids or anything damp upon furniture as it will mark. Ensure a coaster or running is beneath.



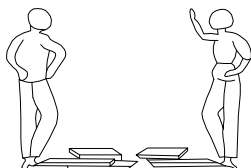
3. Never use ammonia based cleaning products as it will damage the finish.



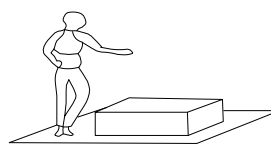
4. To avoid fading, keep furniture out of direct sunlight.



5. Use a soft cloth(dry cloth)when wiping or cleaning surfaces.



6. Two person are required.



7. Lay a soft matt down to protect the furniture piece before and during assembly.

So your relationship is strong. But is it flat-pack furniture strong? Unless you're an aerospace engineer, assembling furniture can be slightly stressful. We recommend meditating quietly, pouring yourself a herbal tea(or slightly less herbal wine) and tackling things one step at a time. If you feel a passive aggressive remark coming on, try a compliment instead.E.g. "You're so good looking"

This 16-step assembly should take around 70 minutes with an Allen Key - or 50 minutes with and electric drill. Godspeed.

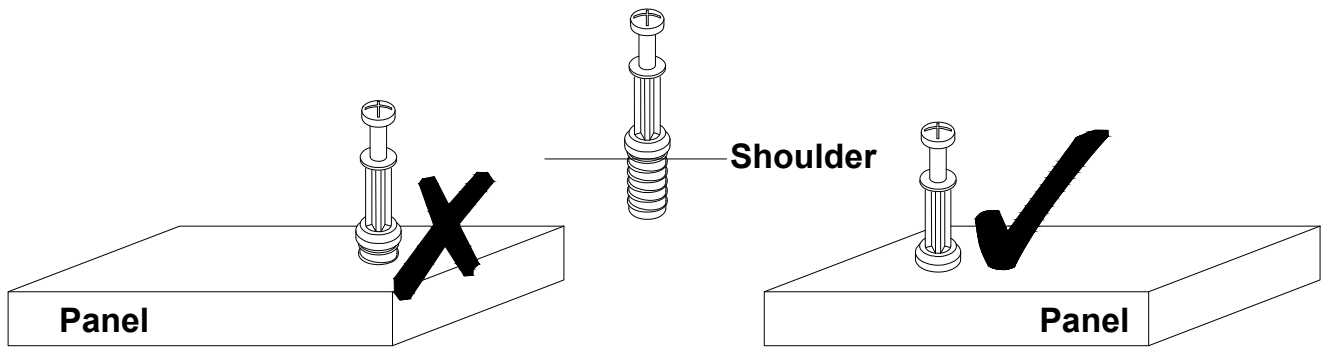
Designed for everyday

# Before Assembly

## Tips Before Your Start:

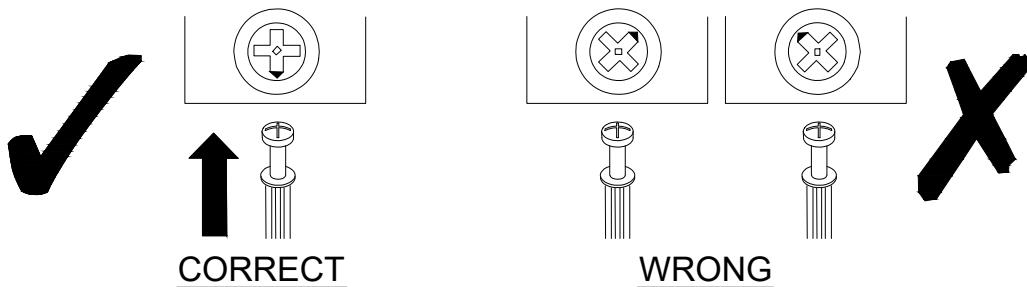
- Remove all wrapping material, including staples & packing straps before you start to assemble.
- DO NOT tighten all screws and bolts until completely assembled.
- Keep all hardware parts out of reach of children.

## QUICKFIT



Tighten quickfit until shoulder is flush with panel. Do not overtighten or undertighten.

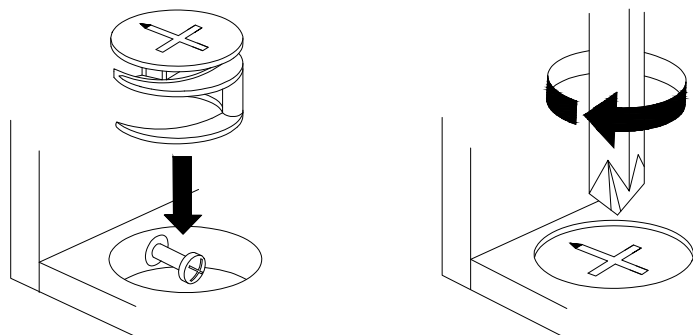
## CAM LOCK



When fitting cam lock, ensure starting position is correct before you insert connecting quickfit.

Quickfit head should be in the centre of the cam lock when the two panels are joined.

Cam lock should be inserted before quickfit.



## Hardware is in box 1

Please check you have all the fittings part or tools are listed in below.

### No. A

Quantity:60 Pcs  
Cam Lock Dowel  
8\*28mm



### No. B

Quantity:24 Pcs  
Dowel  
8\*30mm



### No. C

Quantity:60 Pcs  
Cam  
φ15



### No. D

Quantity:72 Pcs  
Screw  
3.5\*15mm



### No. E

Quantity:8 Pcs  
Screw  
4\*25mm



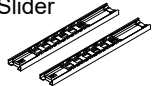
### No. F

Quantity:24 Pcs  
Screw  
4\*35mm



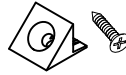
### No. G

Quantity:6 Sets  
Drawer Slider  
10"



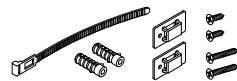
### No. H

Quantity:8 Pcs  
Plastic Wedge



### No. I

Quantity:2 Sets  
Anti-falling Parts



### No. J

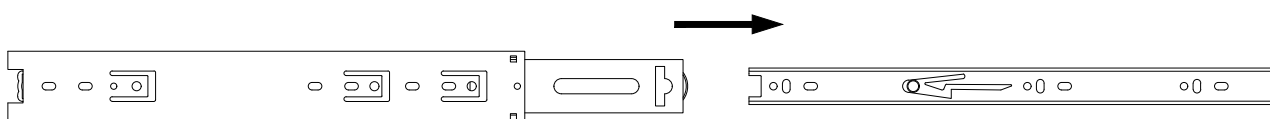
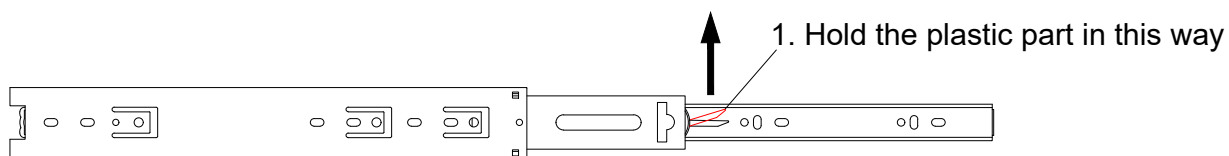
Quantity:60 Pcs  
Sticker  
φ21



# Before Assembly

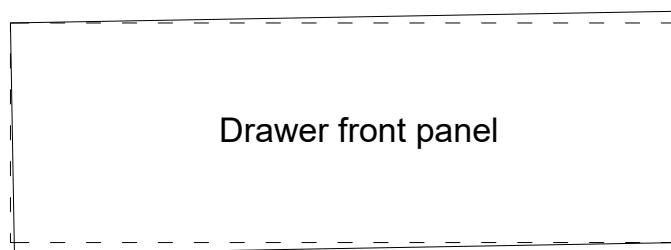
## Tips Before Your Start

### How to separate the drawer slider:

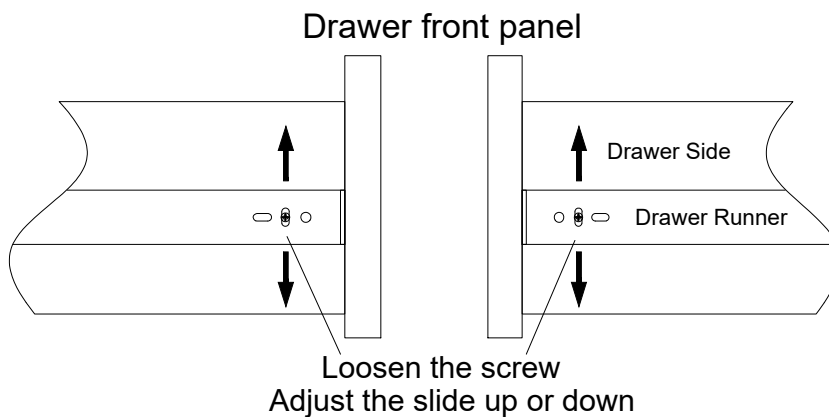


2. Pull out the inner slider for drawer box fixing

## Drawer Front Alignment



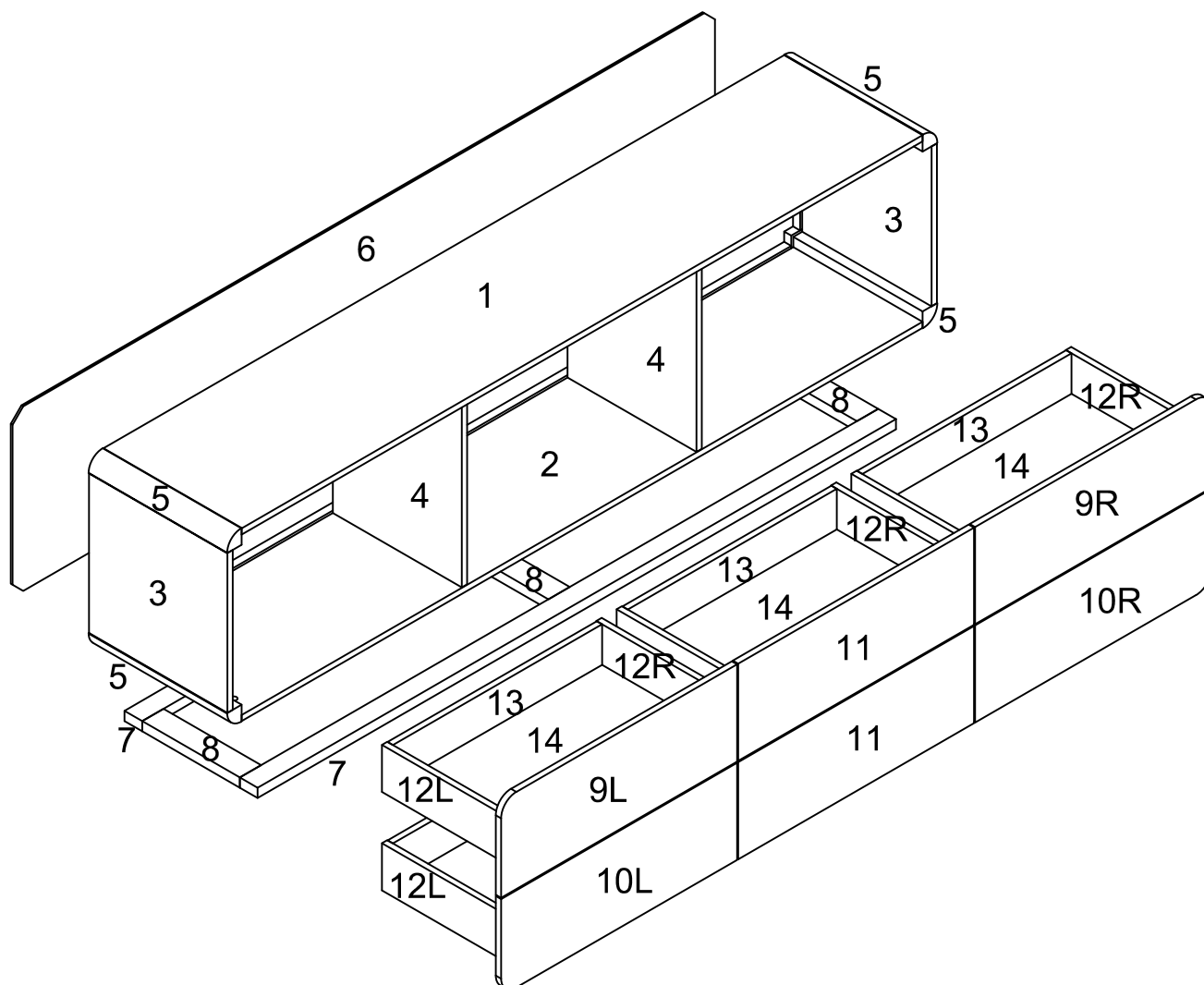
If the drawer front panel is NOT level after being assembled, then...



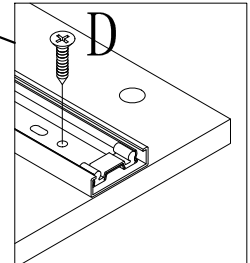
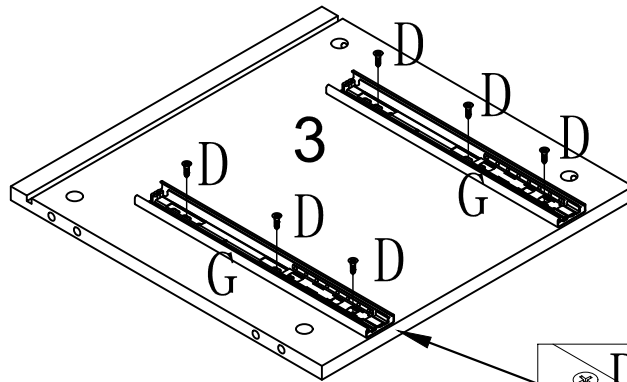
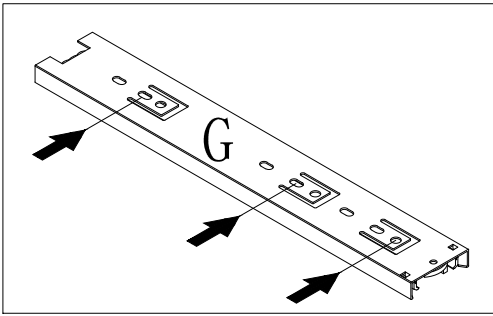
## Component Panels & part List

Please check you have all the panels are listed below.

- |                         |            |                                  |            |
|-------------------------|------------|----------------------------------|------------|
| 1. TOP PANEL .....      | x1 CTN 2/2 | 9L. DOOR PANEL_UP LEFT .....     | x1 CTN 1/2 |
| 2. BOTTOM PANEL .....   | x1 CTN 2/2 | 9R. DOOR PANEL_UP RIGHT .....    | x1 CTN 1/2 |
| 3. SIDE PANEL .....     | x2 CTN 2/2 | 10L. DOOR PANEL_DOWN LEFT .....  | x1 CTN 1/2 |
| 4. DIVISION PANEL ..... | x2 CTN 2/2 | 10R. DOOR PANEL_DOWN RIGHT ..... | x1 CTN 1/2 |
| 5. CORNER .....         | x2 CTN 1/2 | 11. DOOR PANEL_MIDDLE .....      | x2 CTN 1/2 |
| 6. BACK BOARD .....     | x1 CTN 2/2 | 12L. DRAWER PANEL_LEFT .....     | x6 CTN 1/2 |
| 7. BRACE LEG .....      | x2 CTN 2/2 | 12R. DRAWER PANEL_RIGHT .....    | x6 CTN 1/2 |
| 8. SIDE BRACE LEG ..... | x3 CTN 1/2 | 13. DRAWER BACK PANEL .....      | x6 CTN 1/2 |
|                         |            | 14. DRAWER BOTTOM PANEL .....    | x6 CTN 1/2 |



## STEP 1



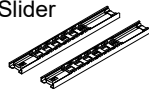
### Note:

This is the drawer rail back side for holes position reference only.

No. D  
Quantity:12 Pcs  
Screw  
3.5\*15mm

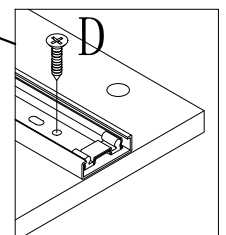
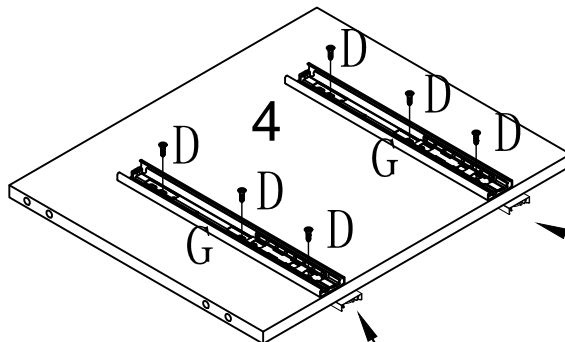
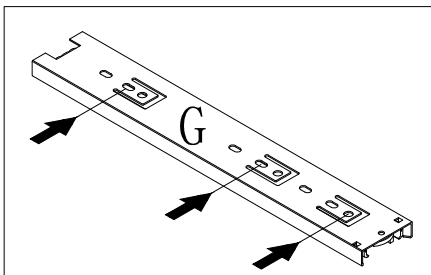


No. G  
Quantity:2 Sets  
Drawer Slider  
10"



X2

## STEP 2



### Note:

This is the drawer rail back side for holes position reference only.

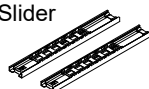
### Note:

Please be noted the Part G drawer slider is fixed on the both sides of the Part 4.

No. D  
Quantity:24 Pcs  
Screw  
3.5\*15mm



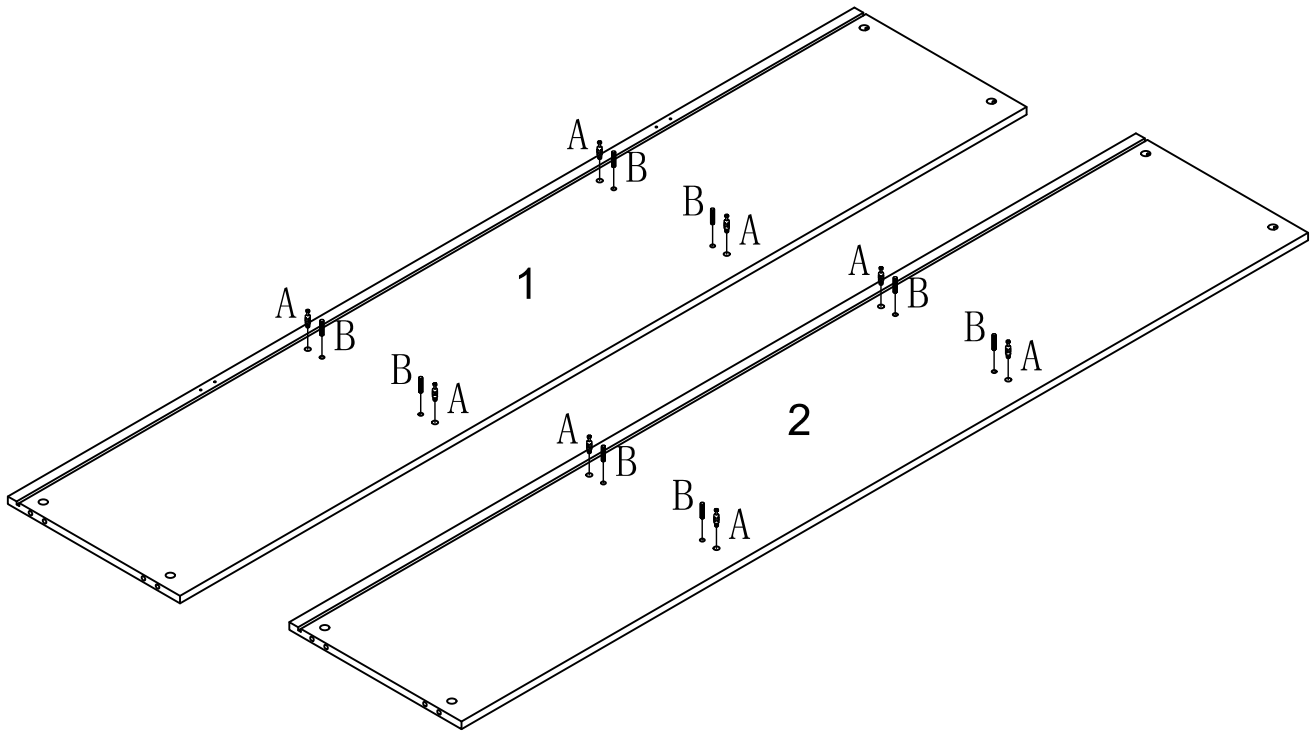
No. G  
Quantity:4 Sets  
Drawer Slider  
10"



X2



### STEP 3



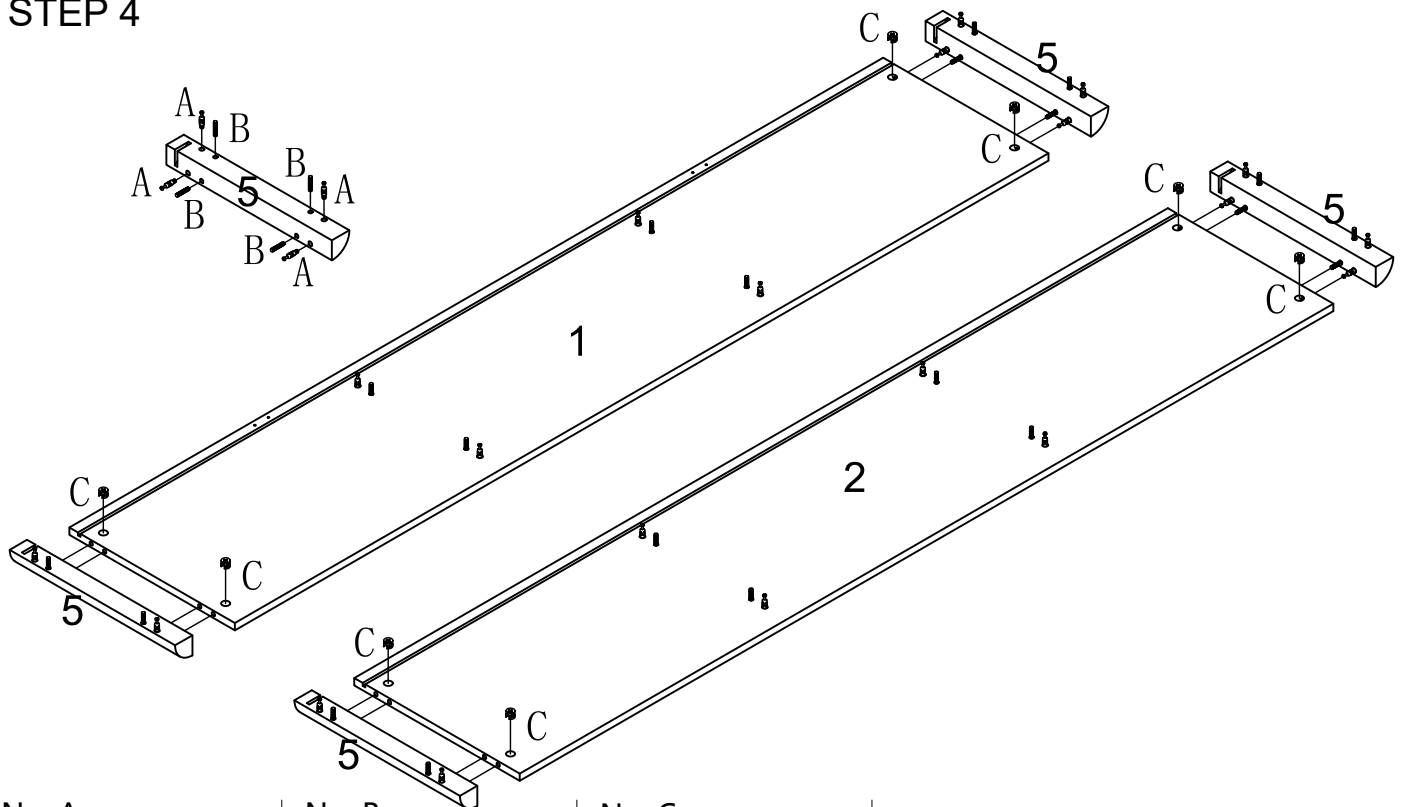
No. A  
Quantity:8 Pcs  
Cam Lock Dowel  
8\*28mm



No. B  
Quantity:8 Pcs  
Dowel  
8\*30mm



### STEP 4



No. A  
Quantity:16 Pcs  
Cam Lock Dowel  
8\*28mm



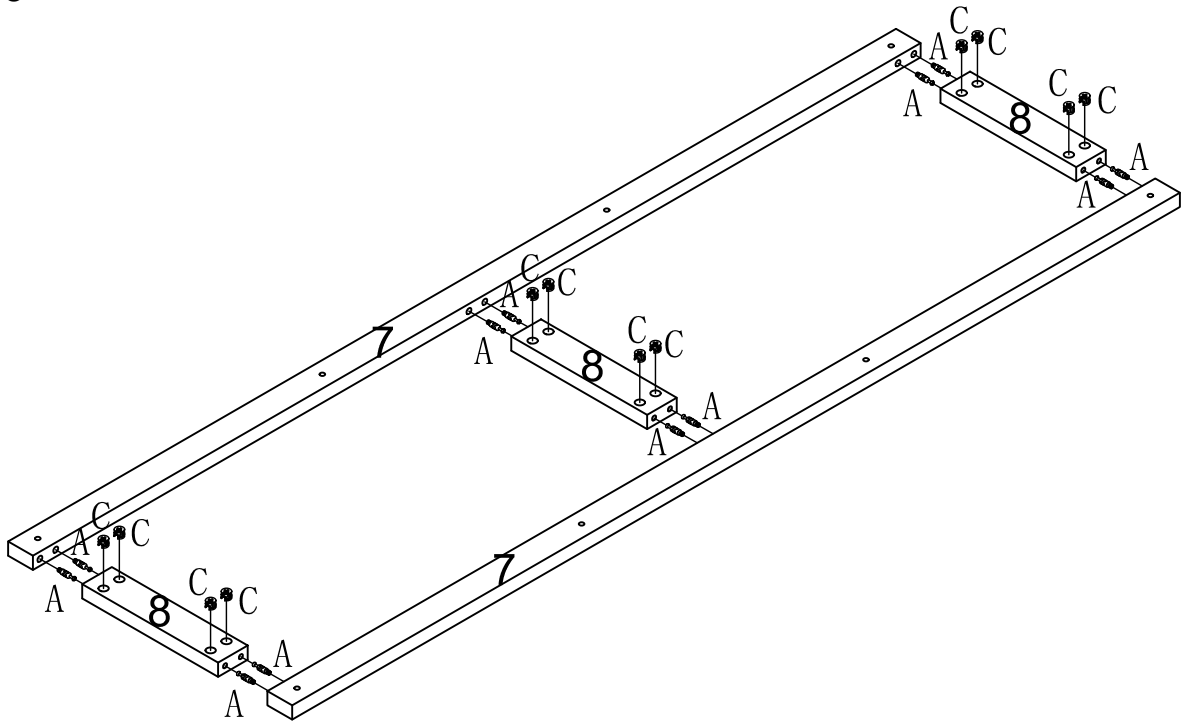
No. B  
Quantity:16 Pcs  
Dowel  
8\*30mm



No. C  
Quantity:8 Pcs  
Cam  
φ15



## STEP 5



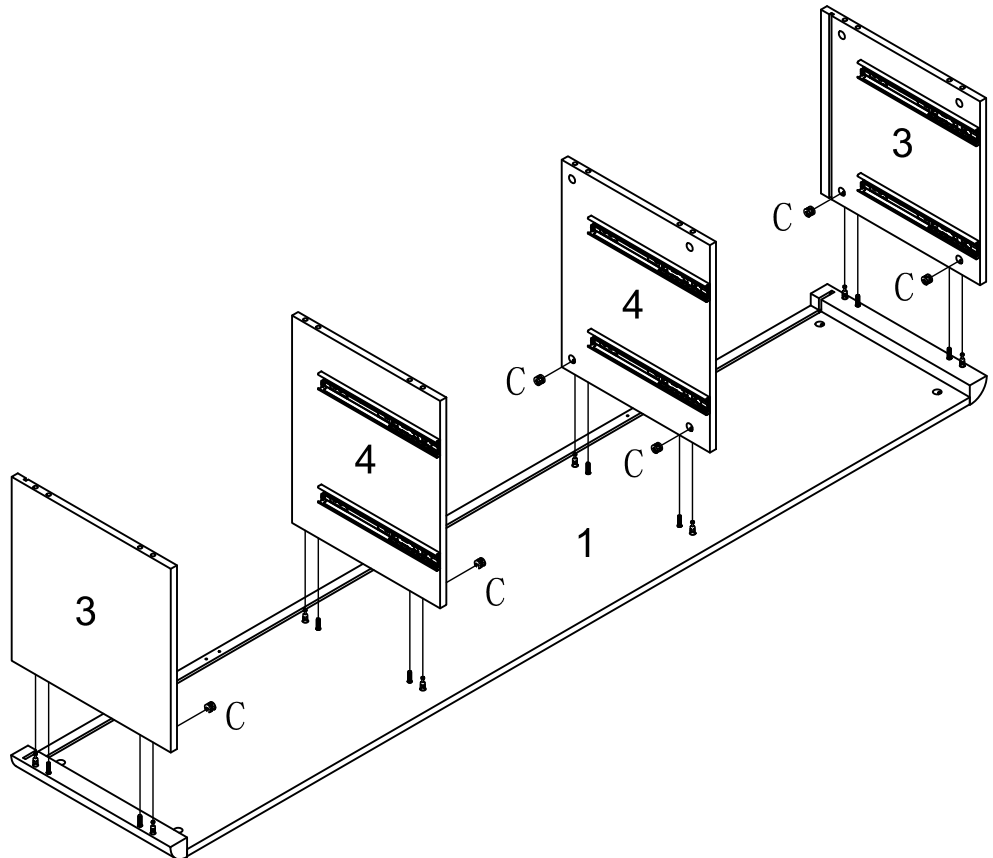
No. A  
Quantity: 12 Pcs  
Cam Lock Dowel  
8\*28mm



No. C  
Quantity: 12 Pcs  
Cam  
φ15



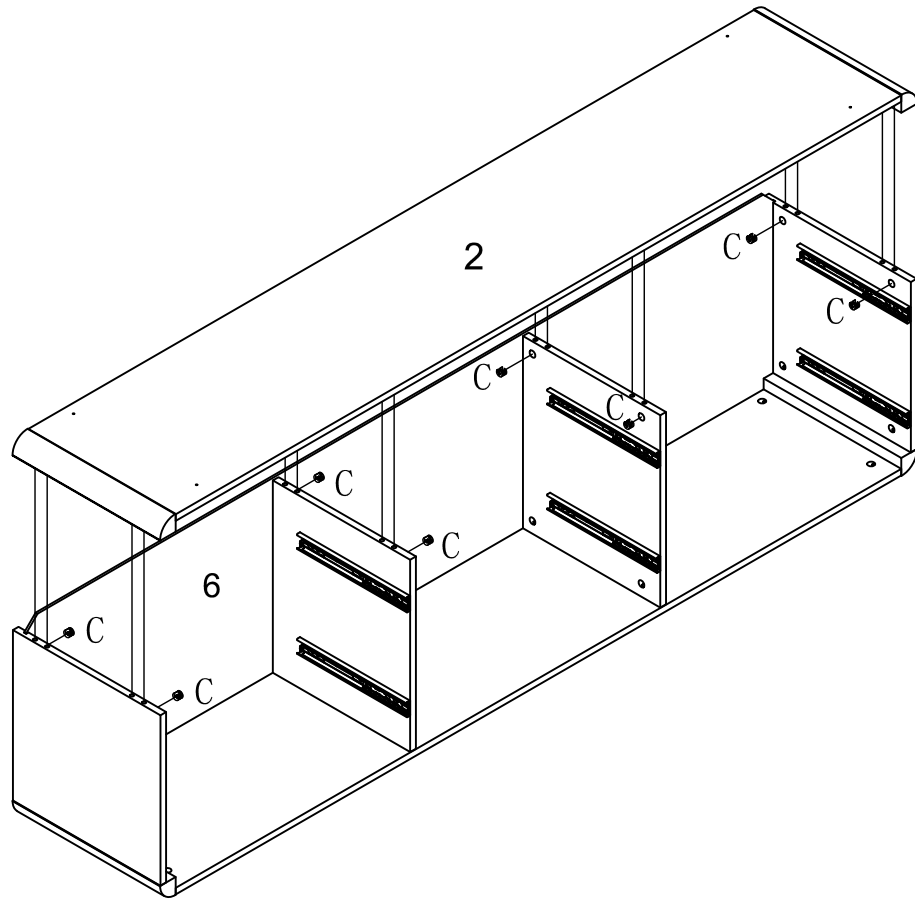
## STEP 6



No. C  
Quantity: 8 Pcs  
Cam  
φ15



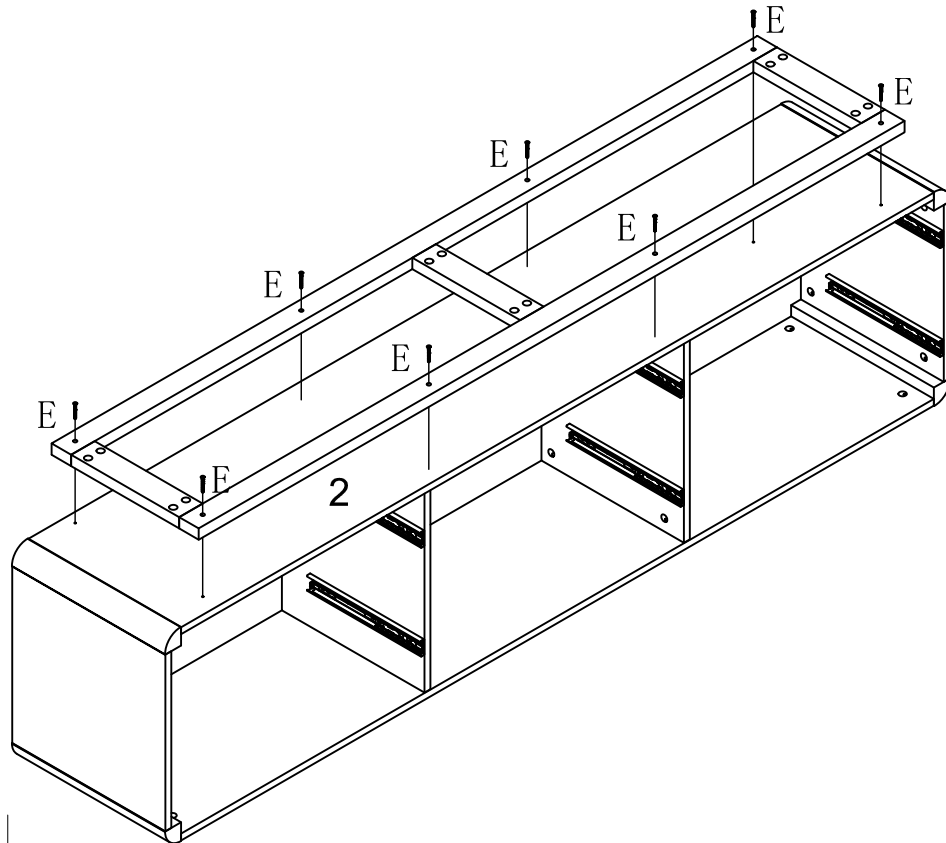
## STEP 7



No. C  
Quantity: 8 Pcs  
Cam  
φ15



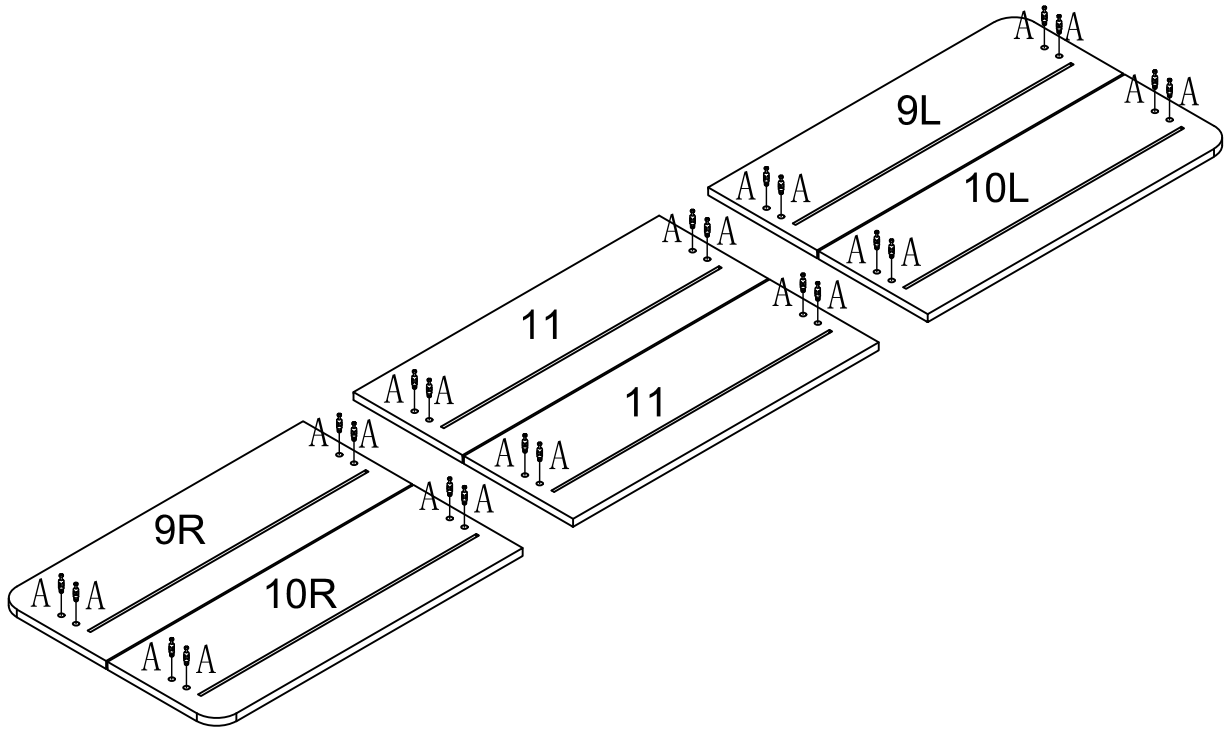
## STEP 8



No. E  
Quantity: 8 Pcs  
Screw  
4\*25mm



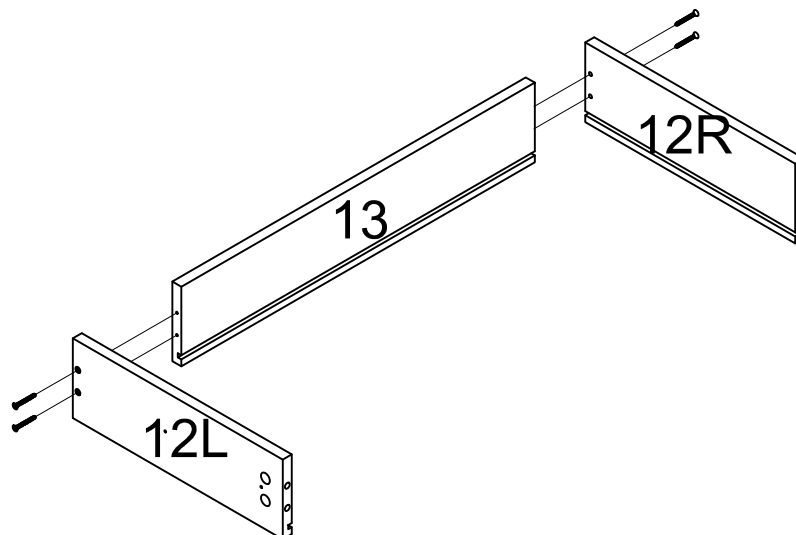
## STEP 9



No. A  
Quantity: 24 Pcs  
Cam Lock Dowel  
8\*28mm



## STEP 10

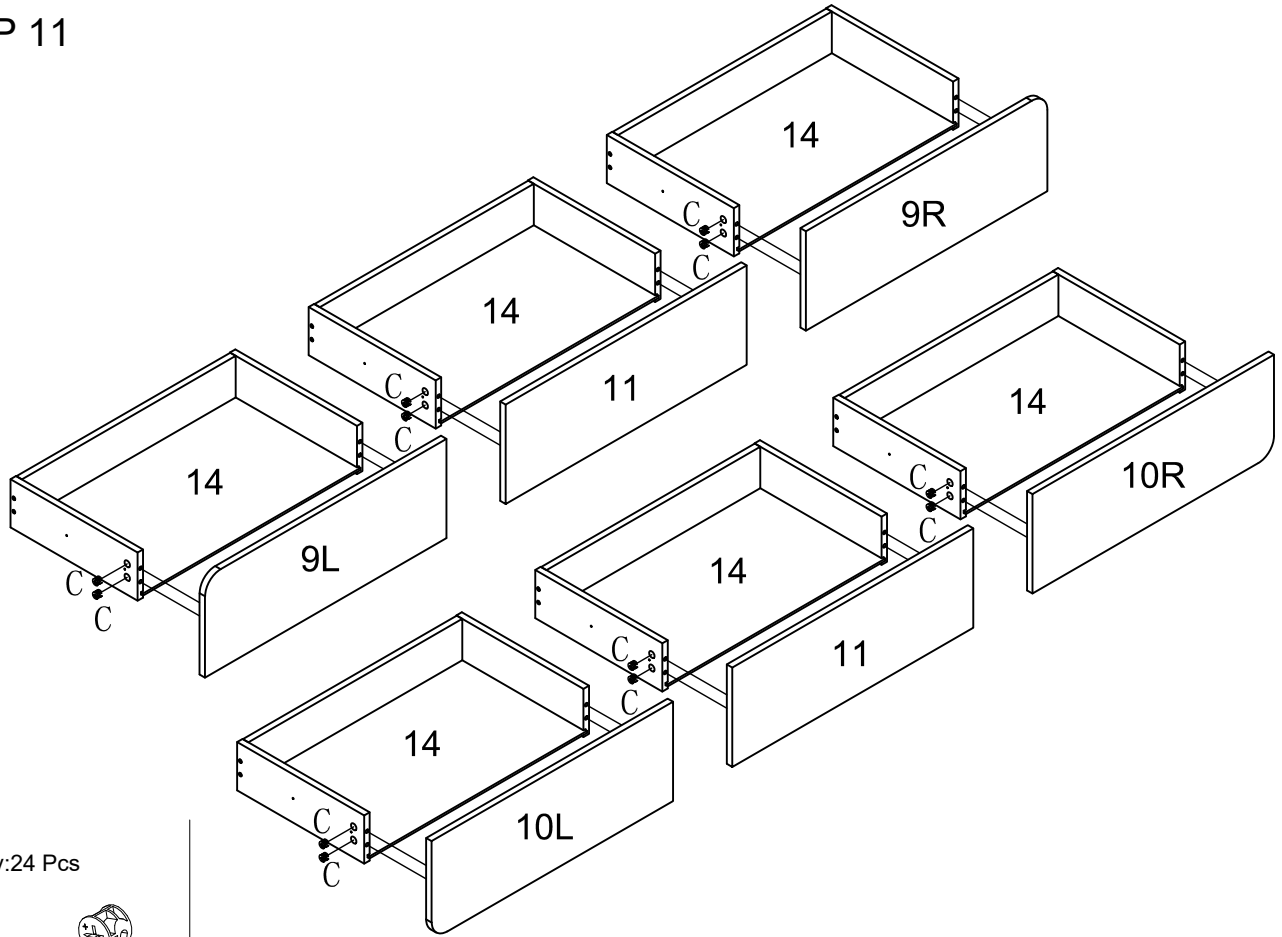


No. F  
Quantity: 24 Pcs  
Screw  
4\*35mm



**X6**

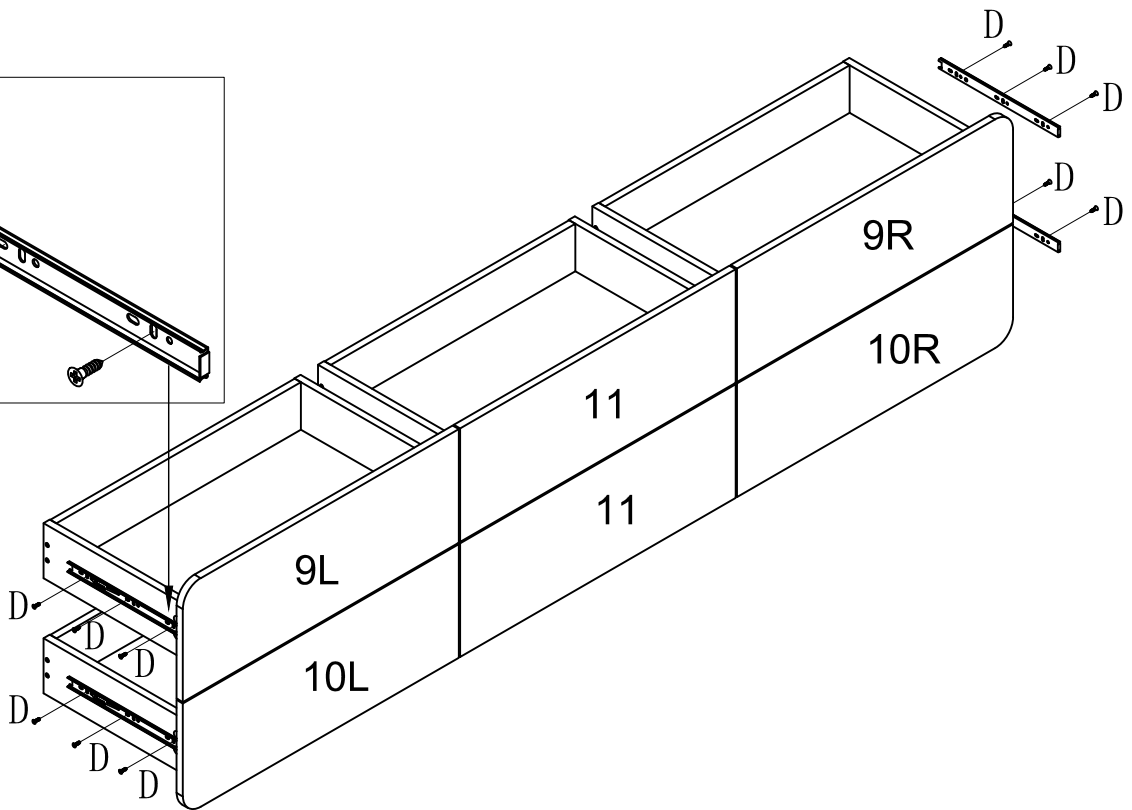
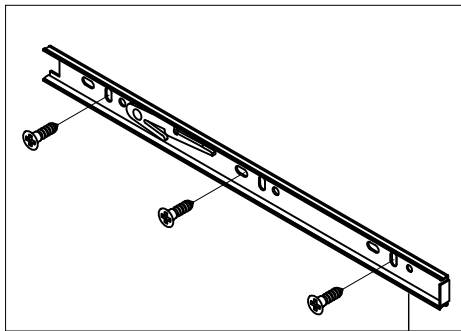
# STEP 11



No. C  
 Quantity: 24 Pcs  
 Cam  
 φ15



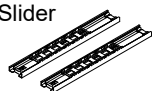
# STEP 12



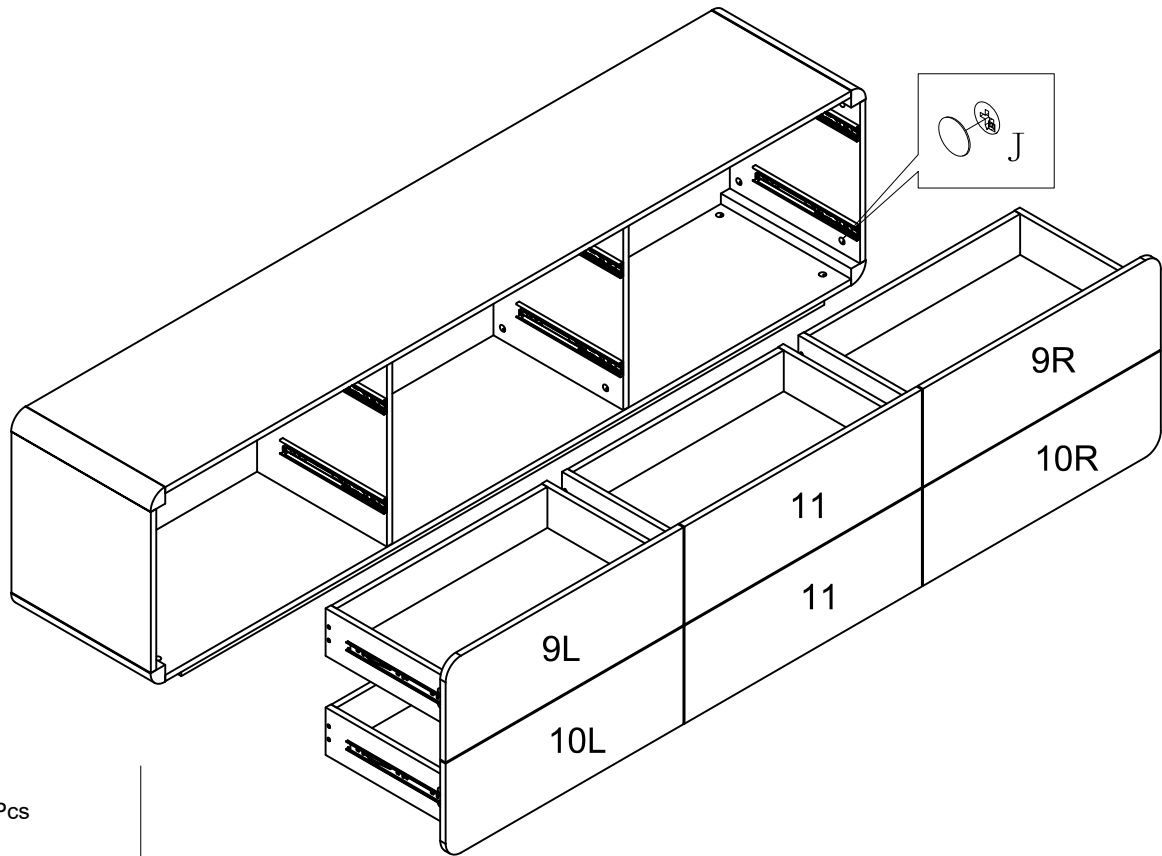
No. D  
 Quantity: 36 Pcs  
 Screw  
 3.5\*15mm



No. G  
 Quantity: 6 Sets  
 Drawer Slider  
 10"



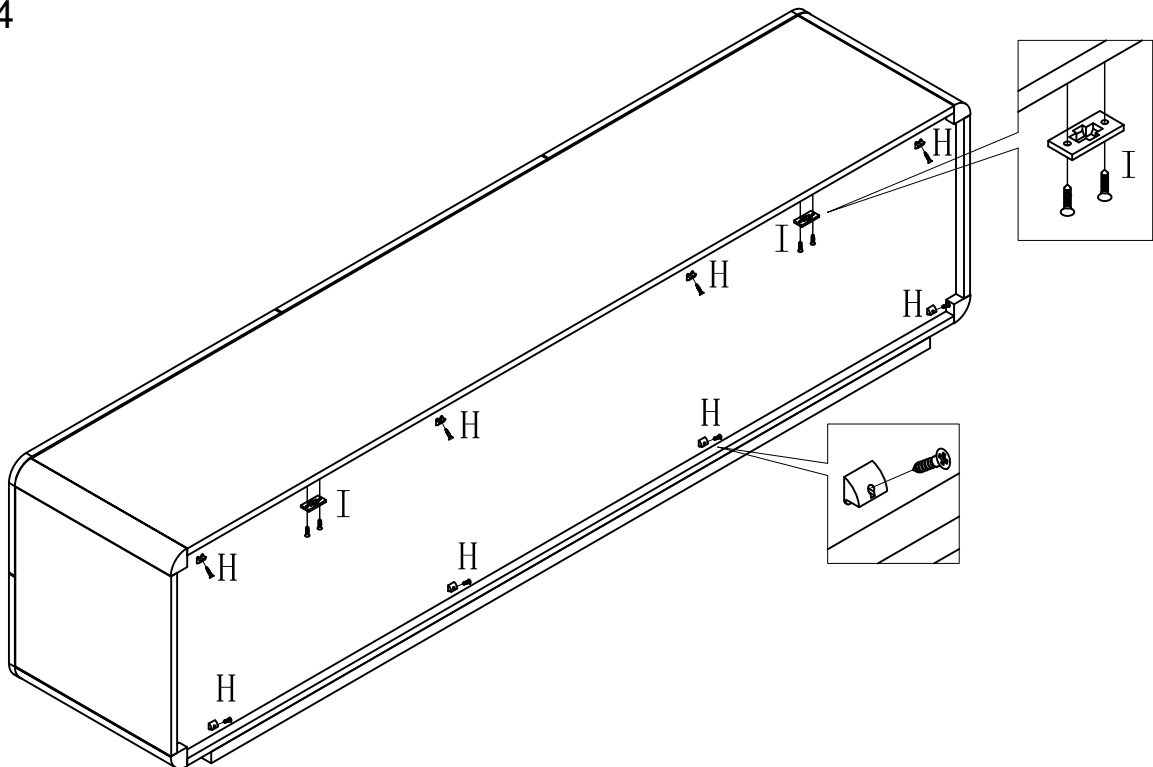
# STEP 13



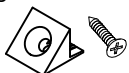
No. J  
Quantity: 60 Pcs  
Sticker  
φ21



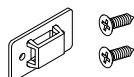
# STEP 14



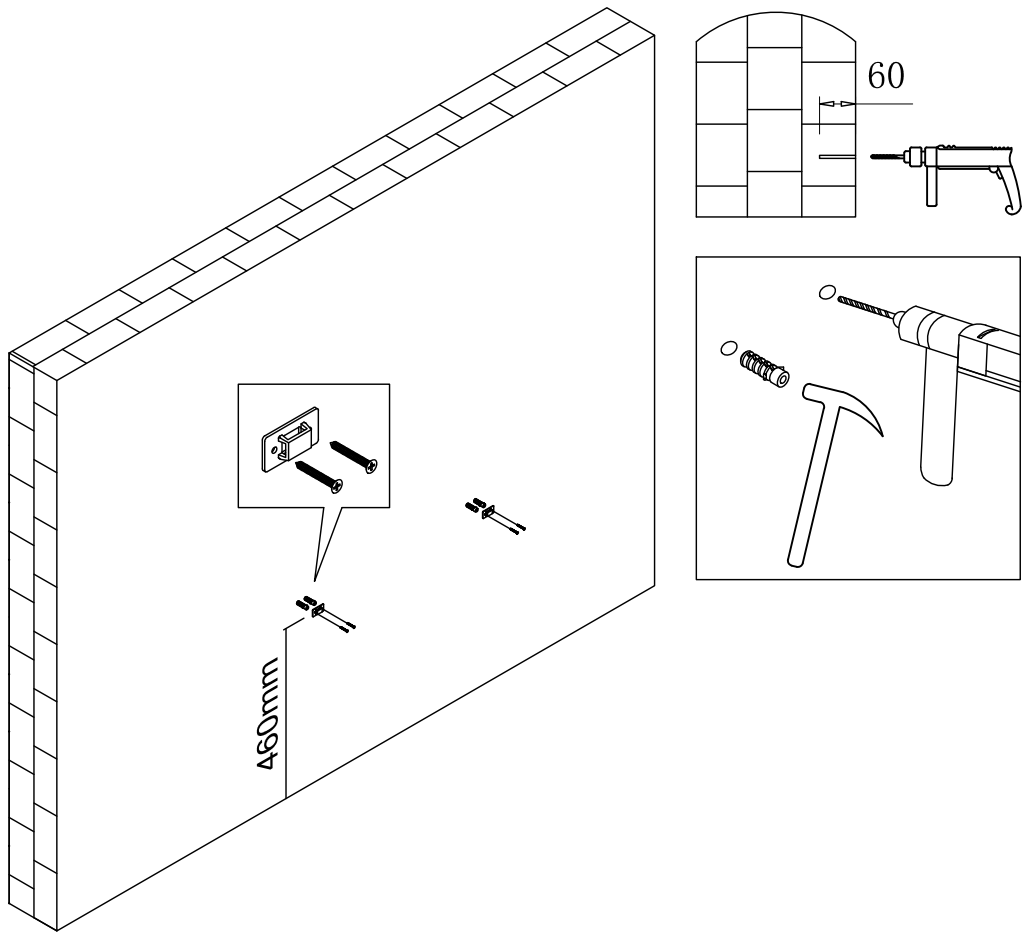
No. H  
Quantity: 8 Pcs  
Plastic Wedge



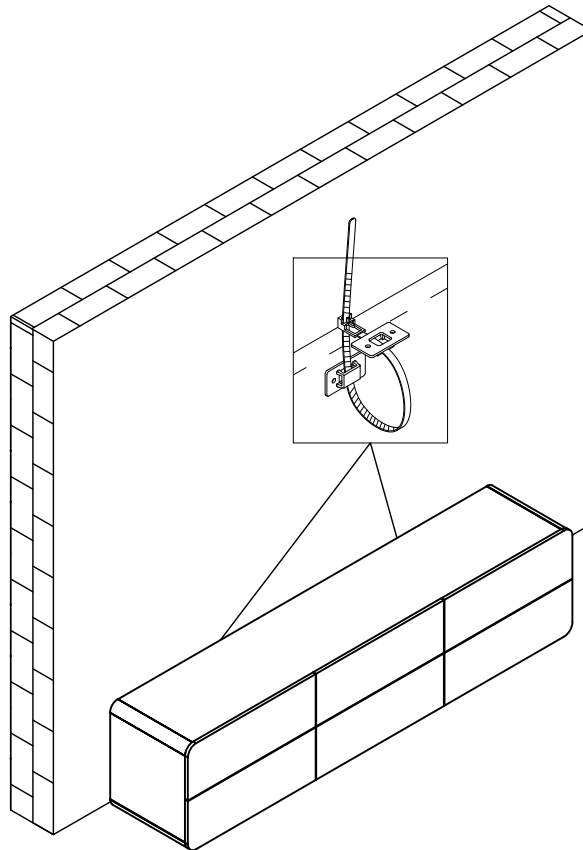
No. I  
Quantity: 2 Sets  
Anti-falling Parts



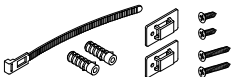
## STEP 15



## STEP 16



No. 1  
Quantity: 2 Sets  
Anti-falling Parts



**Note:**

Please lift up the furniture by two people when moving is needed.  
Dragging may cause the legs failure.

lifely.com.au

Great job. You're done!

Don't forget to share how it looks in  
your space and tag us on Instagram.  
@lifelyhome#homewithlifely!