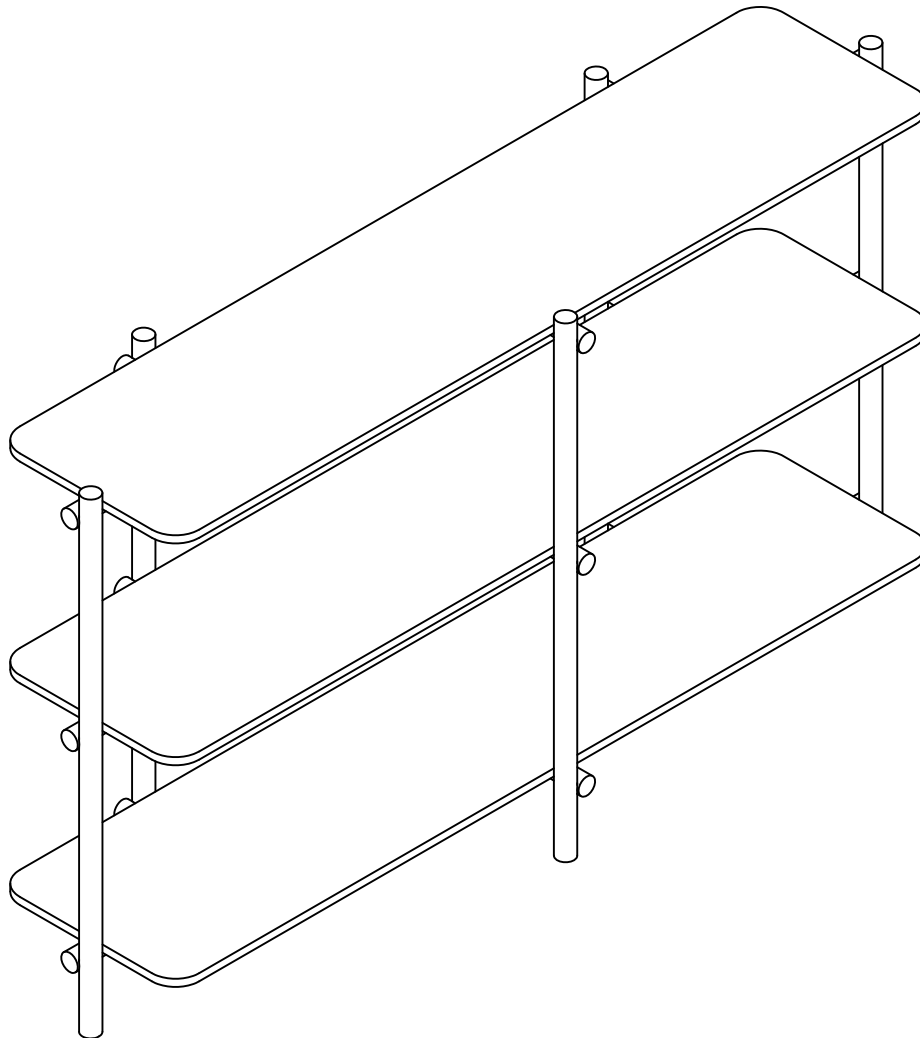


Assembly Instructions

Lola Series



Lifely*

Product Code

LOLA-BSF-NAL Lola Bookshelf

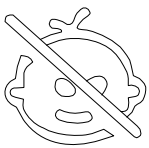
Dimensions(W x D x H)

1690*450*990mm

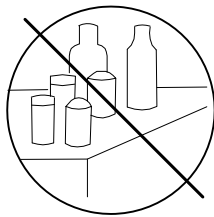
Important

Please read through instruction carefully
Before assembly and keep for future reference.
For our full catalogue of assembly instructions,
Visit: lifely.com.au/assembly.

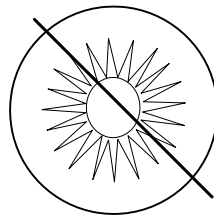
Important Tips and Maintenance



1. Keep children and animals away from working area as smaller parts may cause choking if swallowed.



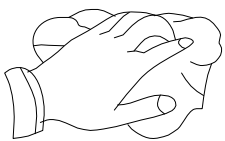
2. Never place liquids or anything damp upon furniture as it will mark. Ensure a coaster or running is beneath.



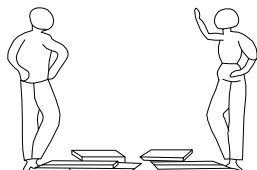
3. To avoid fading, keep furniture out of direct sunlight.



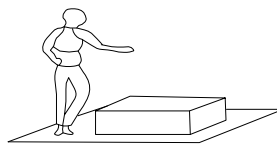
4. Never use ammonia based cleaning products as it will damage the finish.



5. Use a soft or dry cloth when wiping or cleaning surfaces.



6. Two person are required.



7. Lay a soft matt down to protect the furniture piece before and during assembly.

So your relationship is strong. But is it flat-pack furniture strong? Unless you're an aerospace engineer, assembling furniture can be slightly stressful. We recommend meditating quietly, pouring yourself a herbal tea (or slightly less herbal wine) and tackling things one step at a time. If you feel a passive aggressive remark coming on, try a compliment instead. E.g. "You're so good looking."

This 7-step assembly should take around 45 minutes with an Allen key-or 25 minutes with an electric drill.

Designed for everyday

Component Hardware

Please check you have all the fittings
part or tools are listed in below.

No. A
Quantity:45 Pcs
Screw
M8*35mm



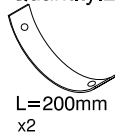
No. B
Quantity:5 Pcs
Adjustable Leg
M6



No. C
Quantity:2 Pcs
Screw
 $\phi 3.5 \times 14$ mm



No. D
Quantity:2 Sets



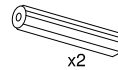
L=200mm
x2



$\phi 4$
x4



$\phi 4 \times 25$ mm
x2



x2

No. E
Quantity:1 Pc
Key
5mm



No. F
Quantity:1 Pc
Key
5mm



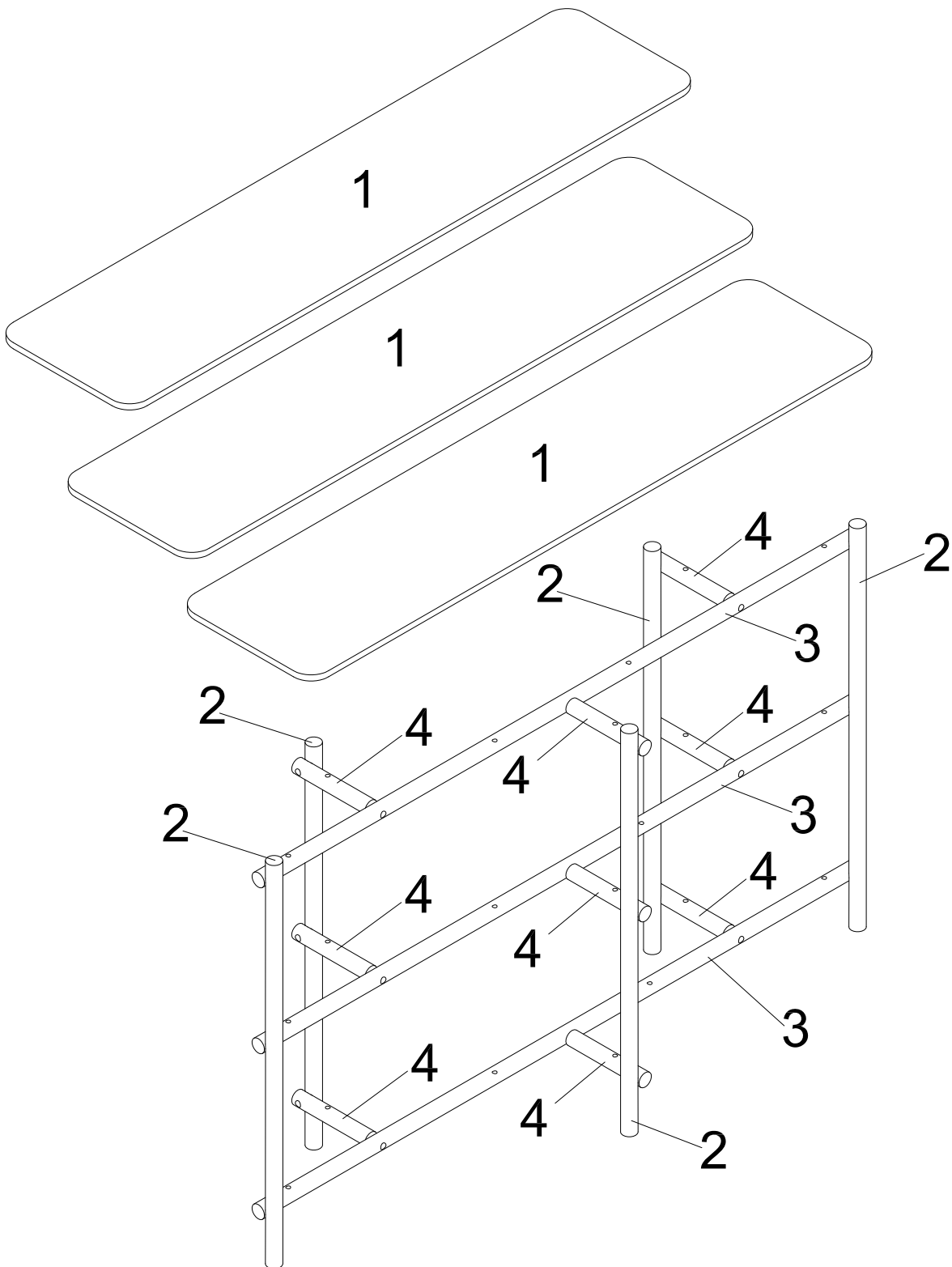
No. G
Quantity:48 Pcs
 $\phi 15 \times 10$ mm
Cover



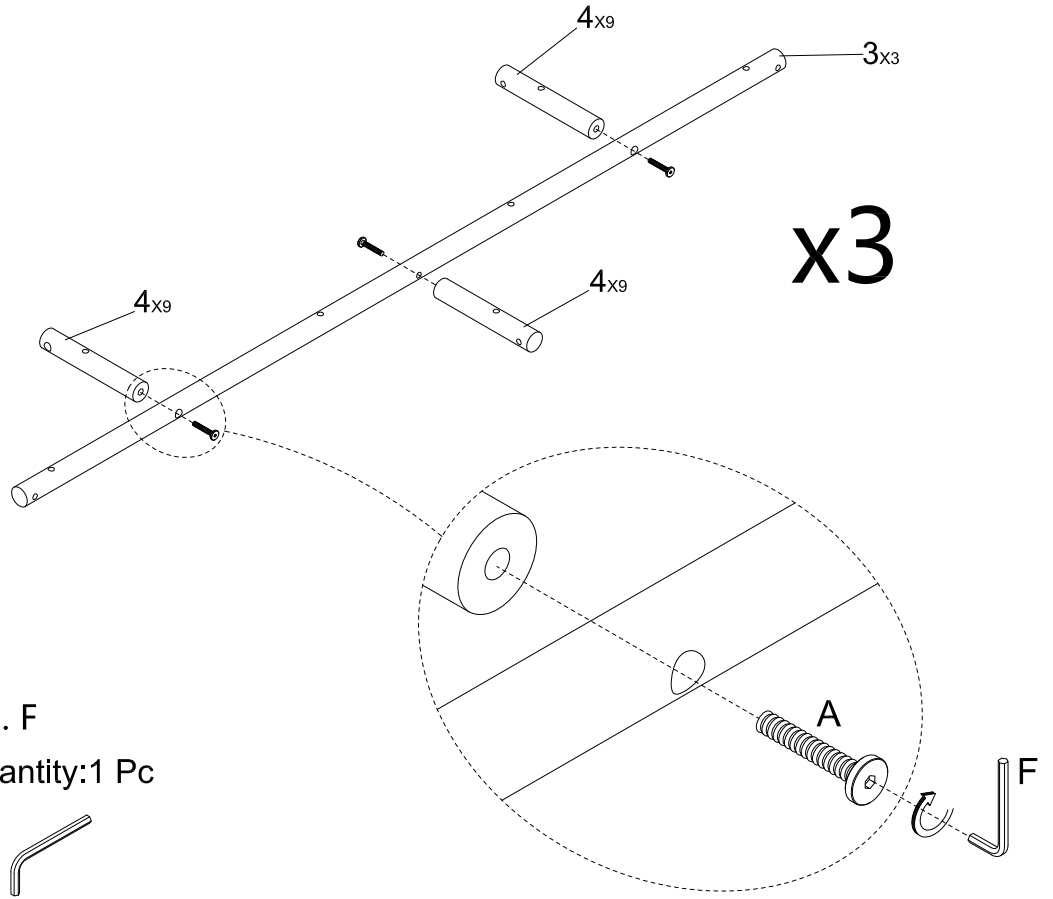
Component Panels & part List

Please check you have all the panels are listed below.

- 1. Shelf Panel-----x3
- 2. Upright Column-----x5
- 3. Horizontal Column---x3
- 4. Side Column-----x9



STEP 1



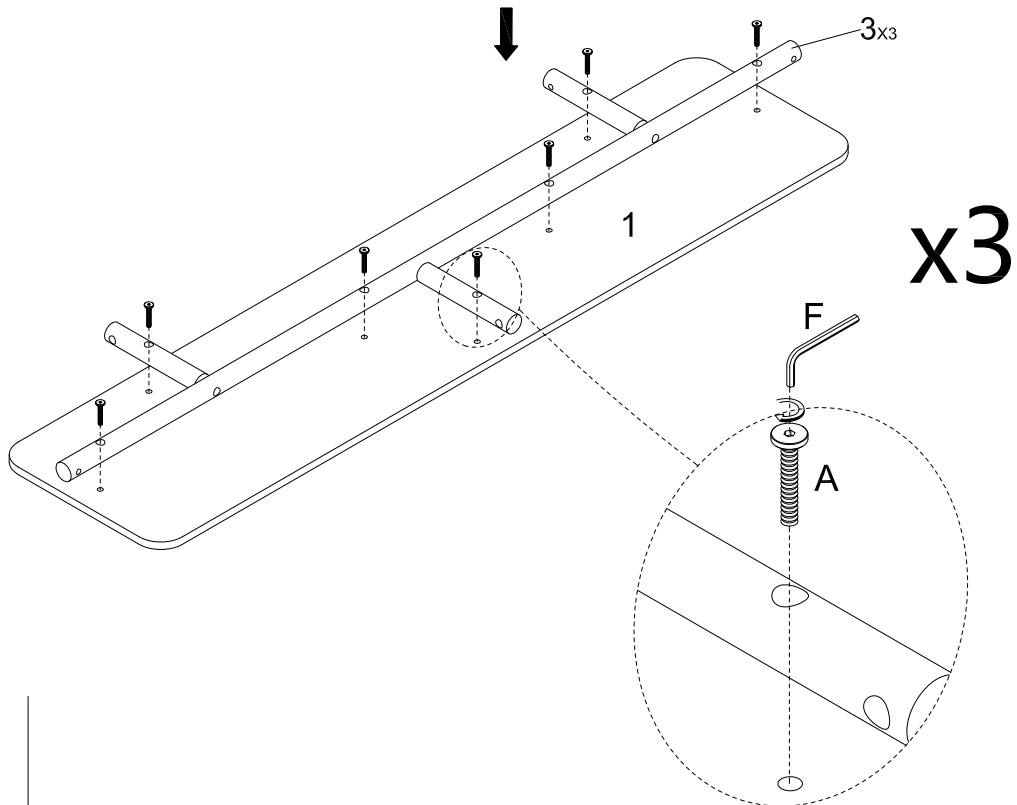
No. A
Quantity:9 Pcs



No. F
Quantity:1 Pc



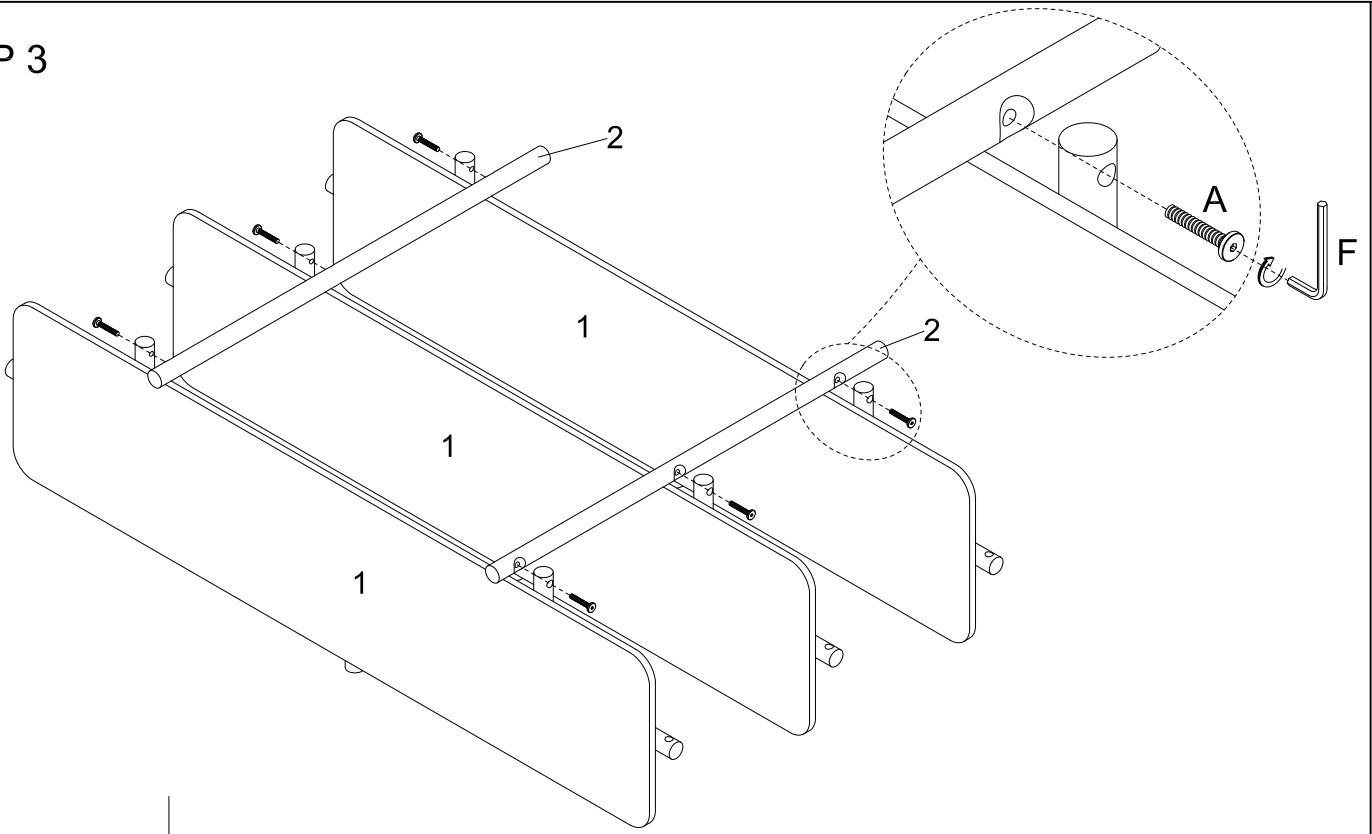
STEP 2



No. A
Quantity:21 Pcs



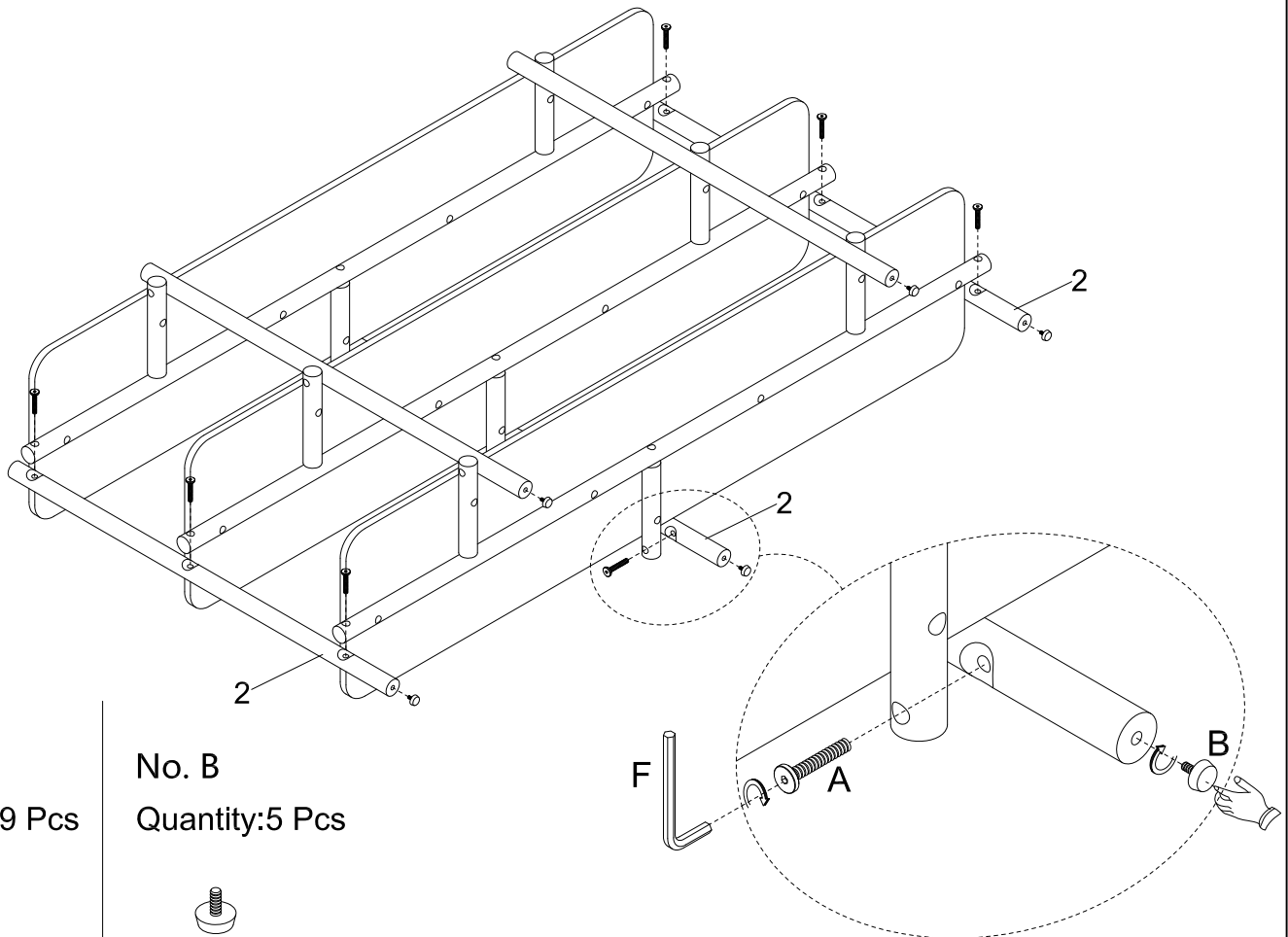
STEP 3



No. A
Quantity:6 Pcs



STEP 4



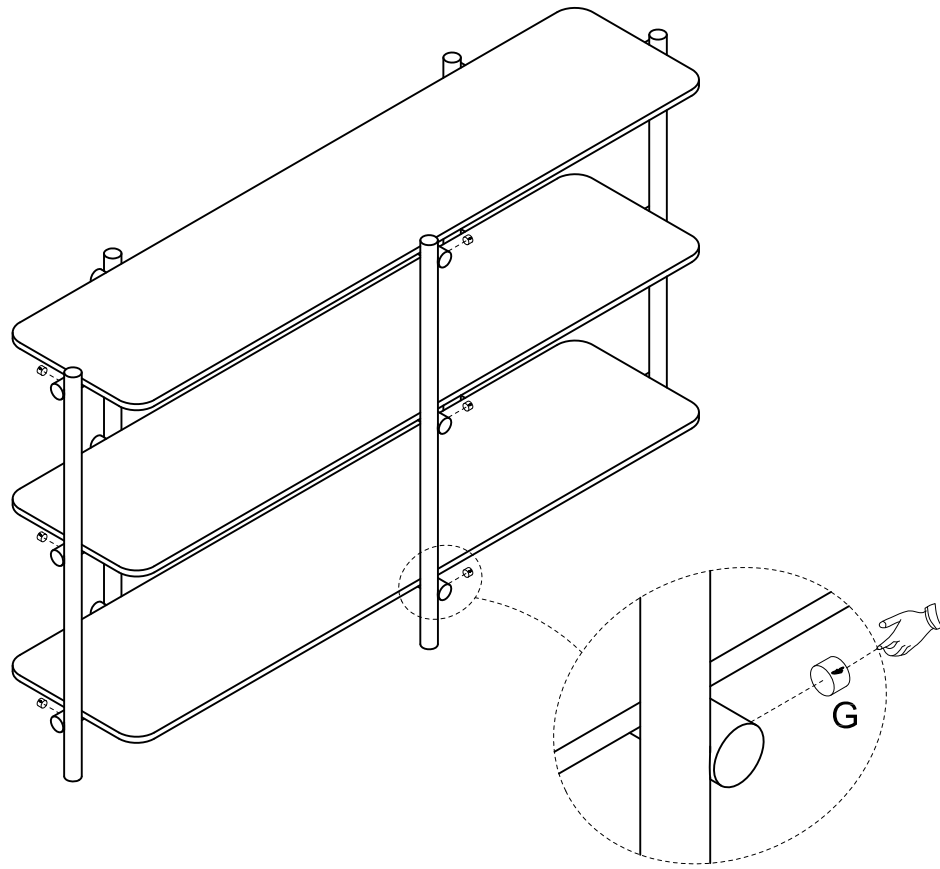
No. A
Quantity:9 Pcs



No. B
Quantity:5 Pcs



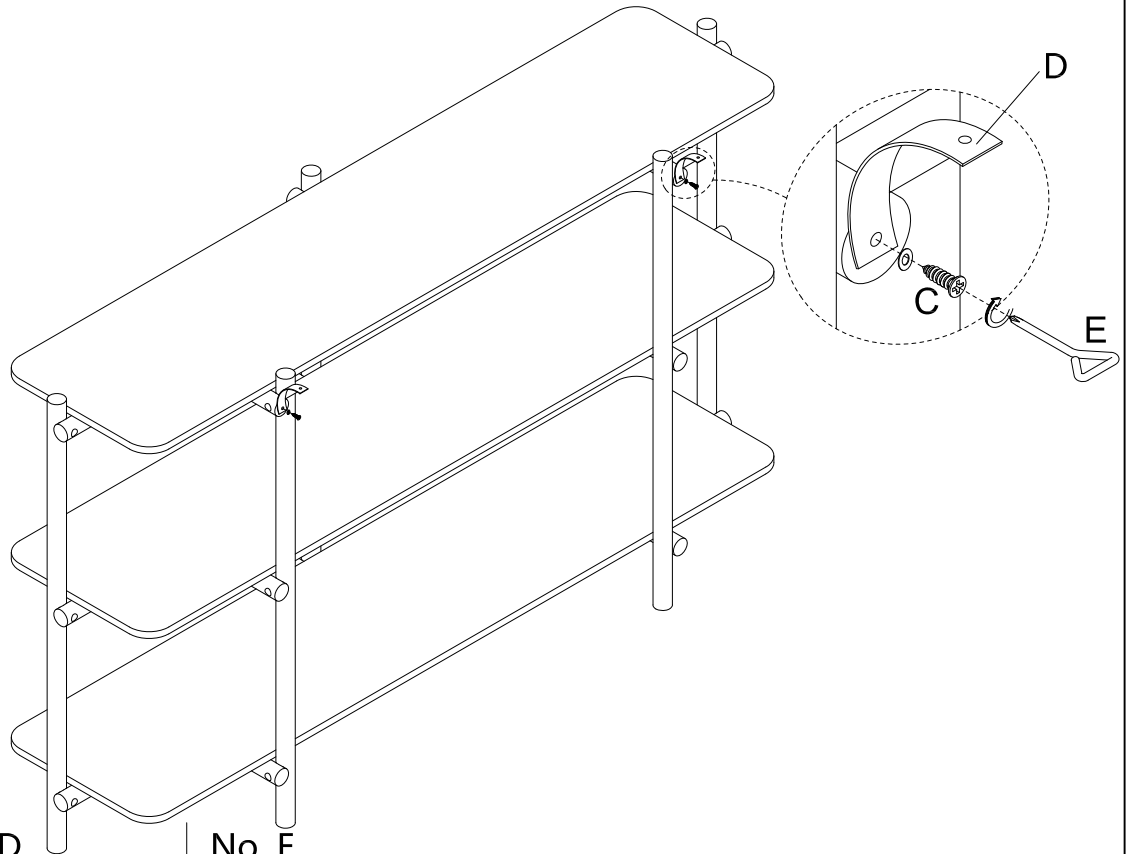
STEP 5



No. G
Quantity:45 Pcs



STEP 6



No. C
Quantity:2 Pcs



No. D
Quantity:2 Pcs

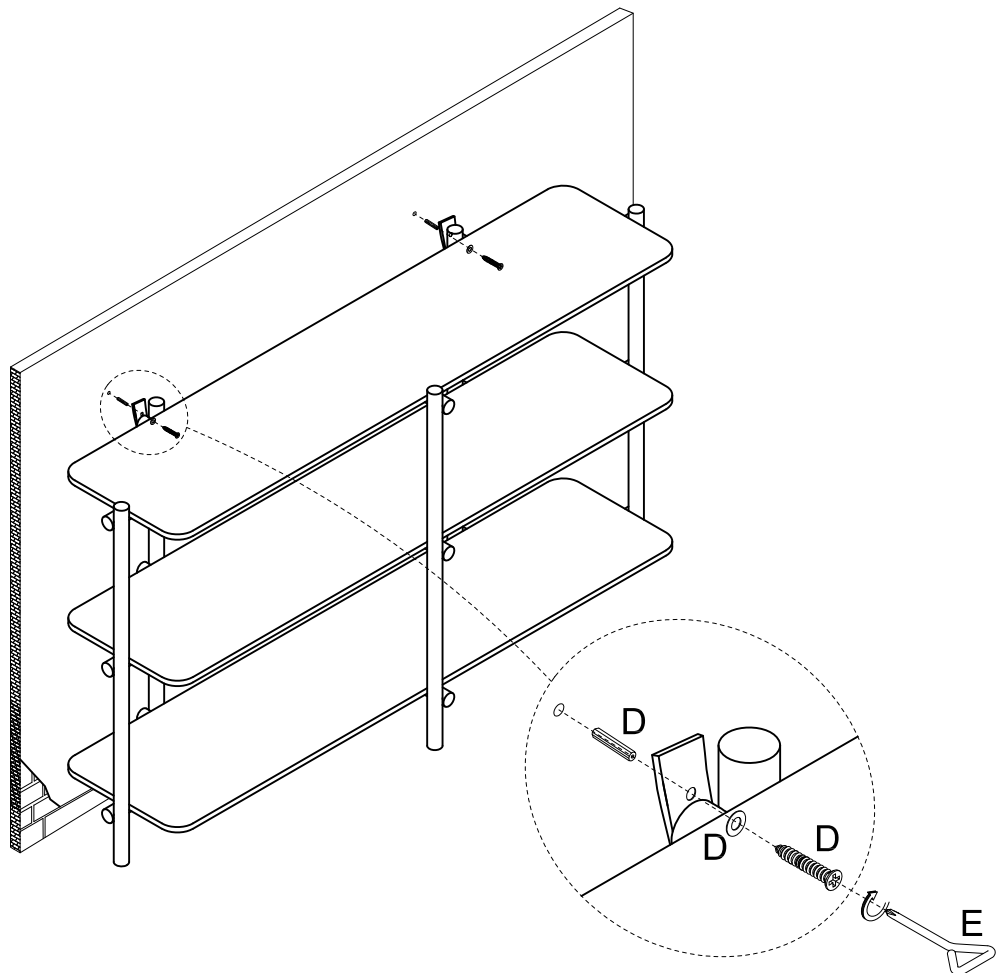


L=200mm

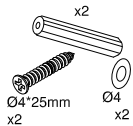
No. E
Quantity:1 Pc



STEP 7



No. D
Quantity: 2 Pcs



TOPPLING FURNITURE WARNING:

- It is strongly recommended that this product is permanently fixed to the wall.
- Please seek professional advice if you are in doubt of what fixing device to use.
- Regularly check that anchors are securely maintained.
- Stability of tall items may be affected by thick pile carpet or uneven floors .
- Do not place unanchored televisions on furniture .

CAUTION: for your safety when attaching the anchor fixings, please note the following:

- Check any electrical wires or plumbing inside the wall before drilling any holes (if you are unsure please seek professional advice from a qualified tradesperson).



lifely.com.au

Great job. You're done!

Don't forget to share how it looks in
your space and tag us on Instagram.

@lifelyhome #homewithlifely!