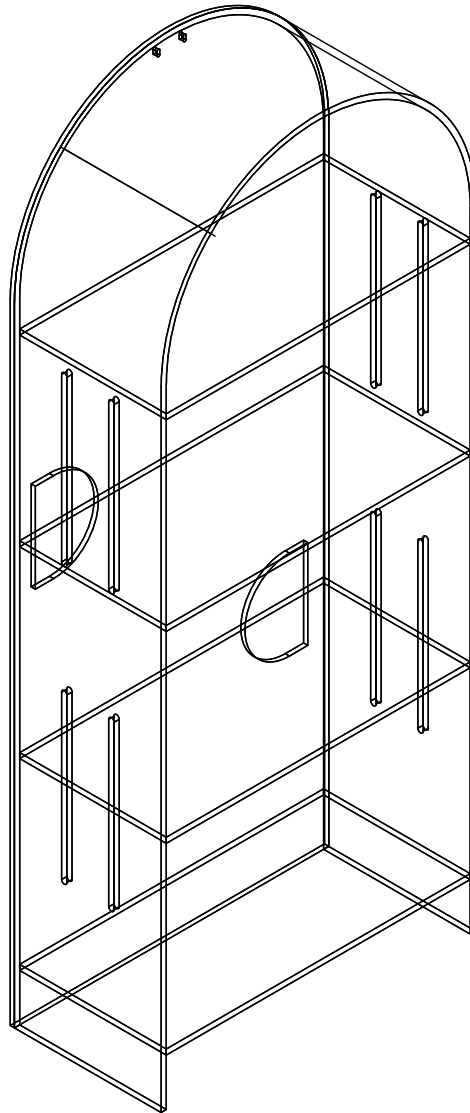


Assembly Instructions

Jax Series



Lifely*

Product Code

JAX-DS-ABR Display Cabinet

Dimensions(W x D x H)

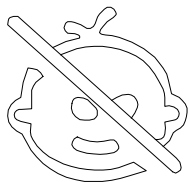
600*280*1500mm

Important

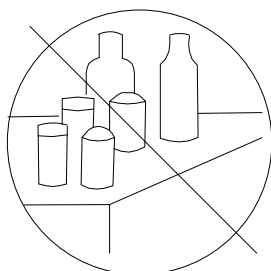
Please read through instruction carefully
Before assembly and keep for future reference.

For our full catalogue of assembly instructions,
Visit: lifely.com.au/assembly.

Important Tips and Maintenance



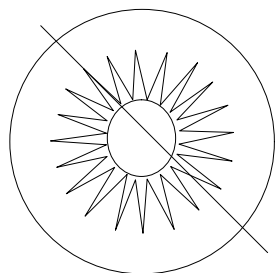
1. Keep children and animals away from working area as smaller parts may cause choking if swallowed.



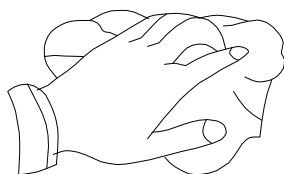
2. Never place liquids or anything damp upon furniture as it will mark. Ensure a coaster or running is beneath.



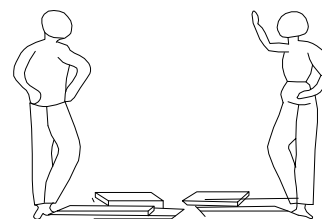
3. Never use ammonia based cleaning products as it will damage the finish.



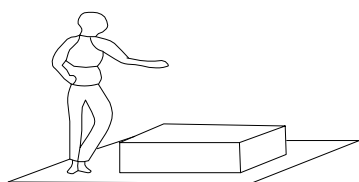
4. To avoid fading, keep furniture out of direct sunlight.



5. Use a soft cloth(dry cloth)when wiping or cleaning surfaces.



6. Two person are required.



7. Lay a soft matt down to protect the furniture piece before and during assembly.

So your relationship is strong. But is it flat-pack furniture strong? Unless you're an aerospace engineer, assembling furniture can be slightly stressful. We recommend meditating quietly, pouring yourself a herbal tea(or slightly less herbal wine) and tackling things one step at a time. If you feel a passive aggressive remark coming on, try a compliment instead.E.g. "You're so good looking"

This 2-step assembly should take around 20 minutes .
Godspeed.

Designed for everyday

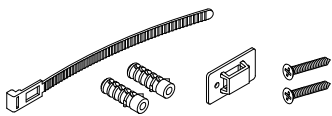
Component Hardware

Please check you have all the fittings part or tools are listed in below.

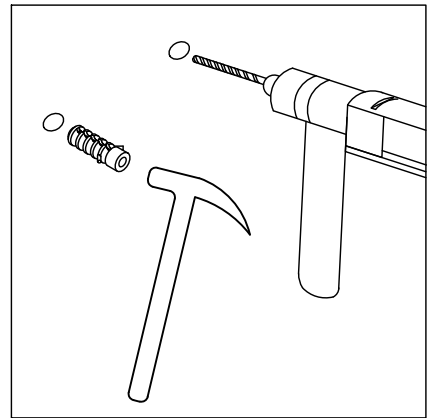
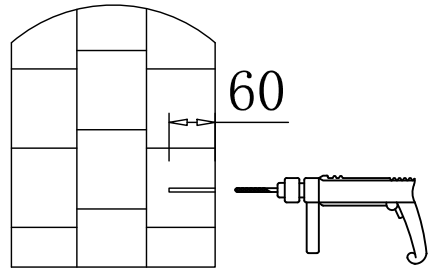
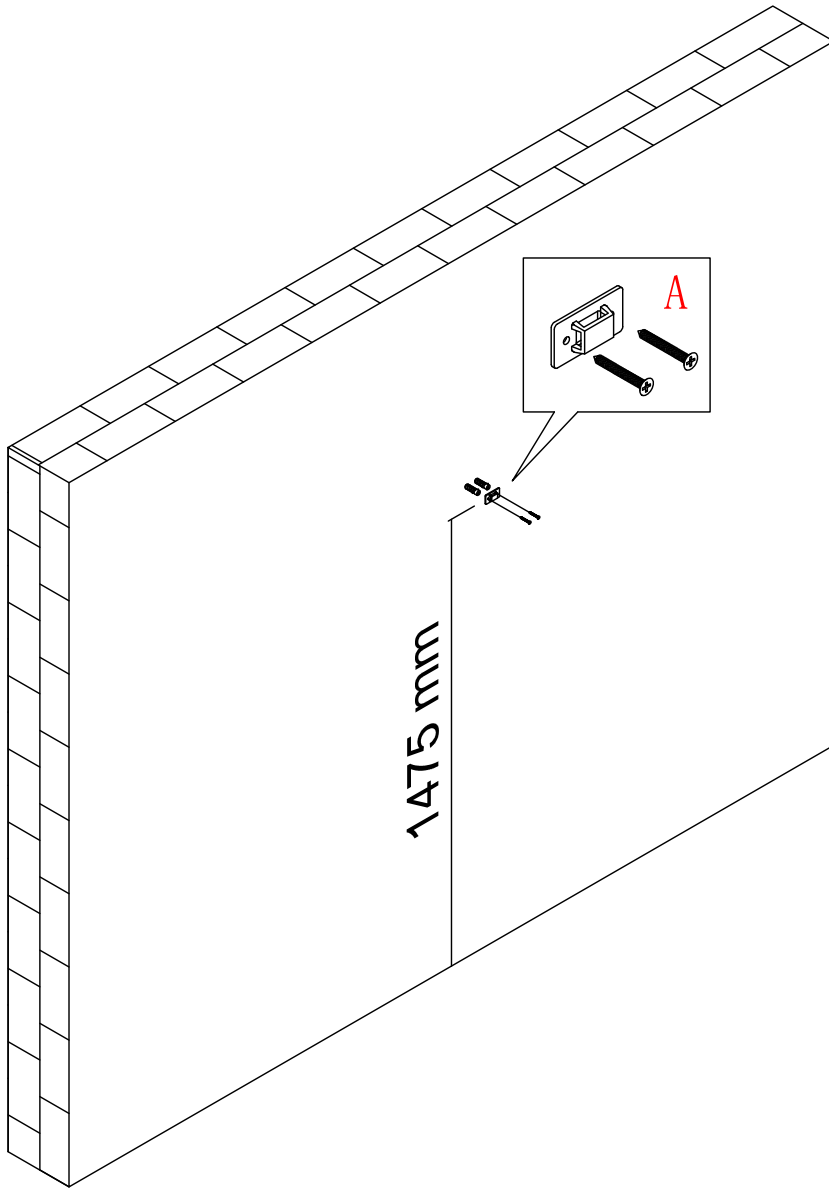
No. A

Quantity:1 Sets

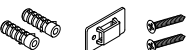
Anti-falling Parts



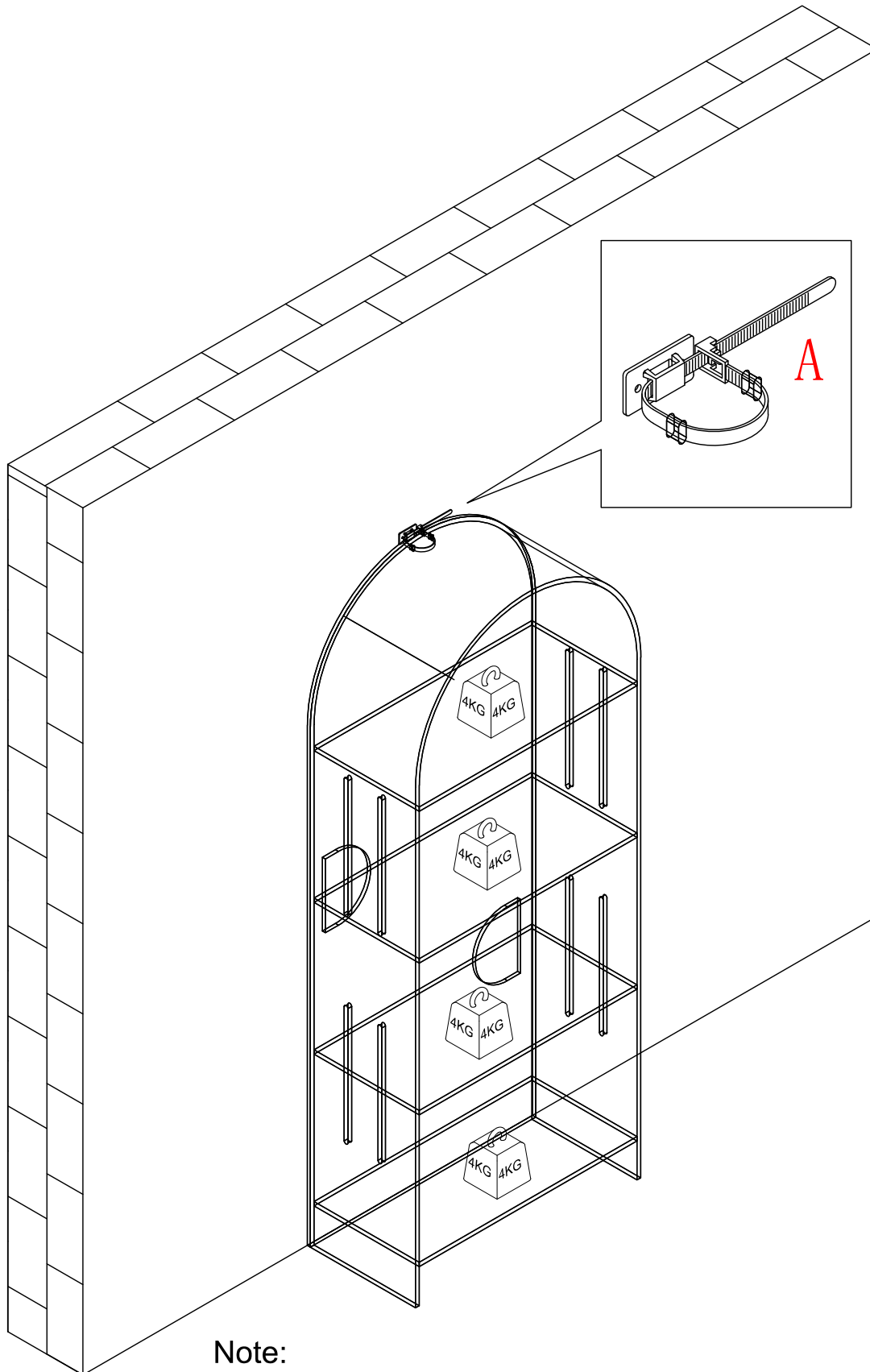
STEP 1



No. A
Quantity: 1 Sets
Anti-falling Parts



STEP 2



Note:
Maximum load bearing capacity for EACH shelf is 4 kgs.
And this is an acrylic product, shelf may bend slightly
over time, which depends on weight you applied.

No. A
Quantity: 1 Sets
Anti-falling Parts





Great job. You're done!

Don't forget to share how it looks in your space and tag us on Instagram.
@lifelyhome#homewithlifely!