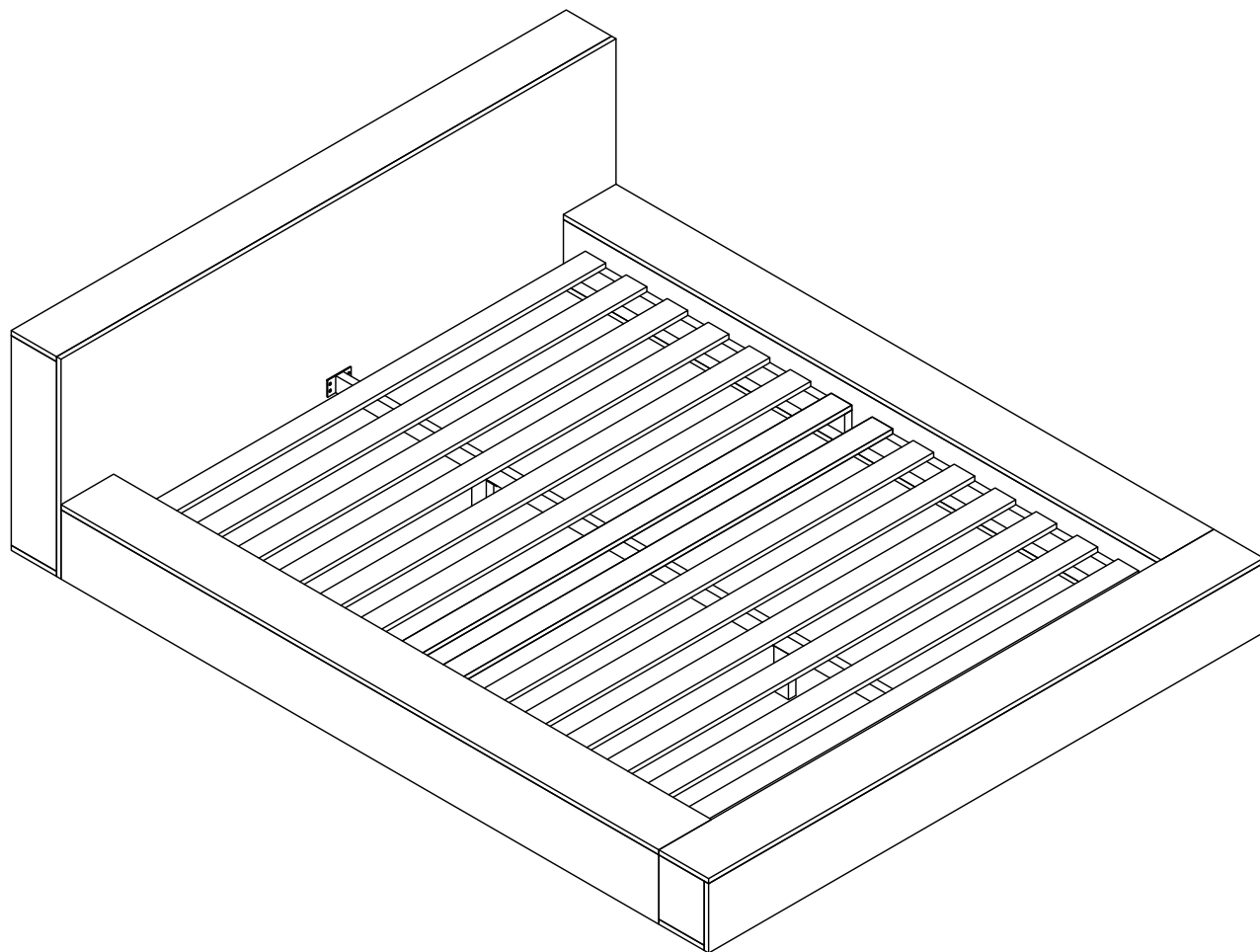


Assembly Instructions

Elena Series



Lifely*

Product Code

ELNA-BF-Q Bed Frame

Dimensions(W x D x H)

1904*2380*700mm

Important

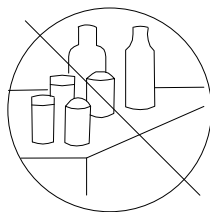
Please read through instruction carefully
Before assembly and keep for future reference.

For our full catalogue of assembly instructions,
Visit: lifely.com.au/assembly.

Important Tips and Maintenance



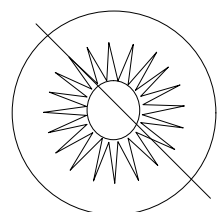
1. Keep children and animals away from working area as smaller parts may cause choking if swallowed.



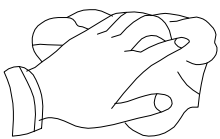
2. Never place liquids or anything damp upon furniture as it will mark. Ensure a coaster or running is beneath.



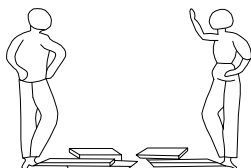
3. Never use ammonia based cleaning products as it will damage the finish.



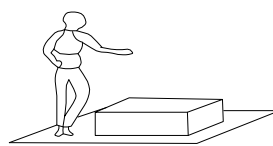
4. To avoid fading, keep furniture out of direct sunlight.



5. Use a soft cloth(dry cloth)when wiping or cleaning surfaces.



6. Two person are required.



7. Lay a soft matt down to protect the furniture piece before and during assembly.

So your relationship is strong. But is it flat-pack furniture strong? Unless you're an aerospace engineer, assembling furniture can be slightly stressful. We recommend meditating quietly, pouring yourself a herbal tea(or slightly less herbal wine) and tackling things one step at a time. If you feel a passive aggressive remark coming on, try a compliment instead.E.g. "You're so good looking"

This 20-step assembly should take around 70 minutes with an Allen Key - or 50 minutes with and electric drill. Godspeed.

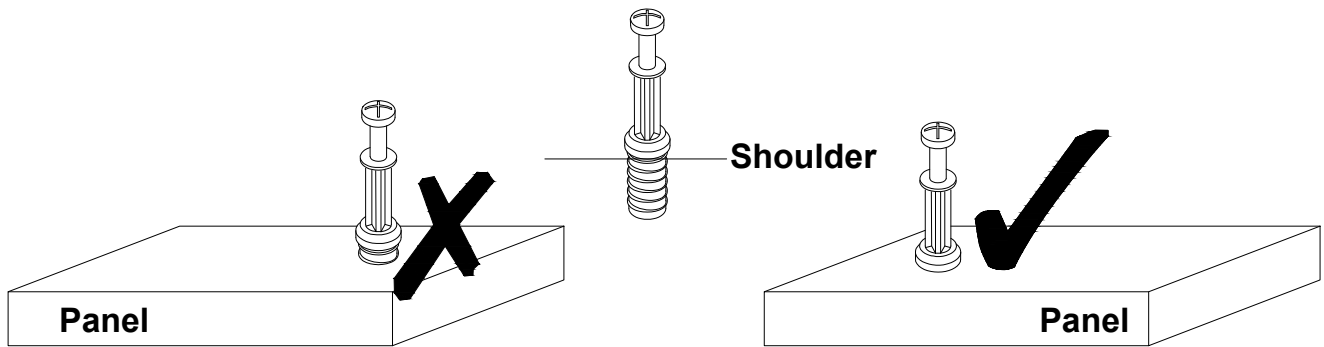
Designed for everyday

Before Assembly

Tips Before Your Start:

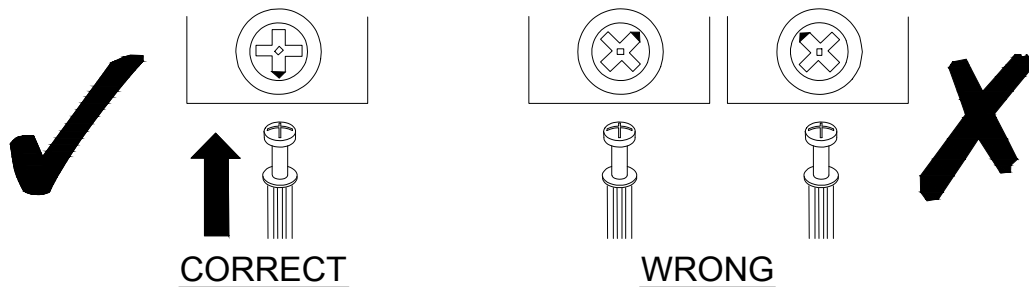
- Remove all wrapping material, including staples & packing straps before you start to assemble.
- DO NOT tighten all screws and bolts until completely assembled.
- Keep all hardware parts out of reach of children.

QUICKFIT



Tighten quickfit until shoulder is flush with panel. Do not overtighten or undertighten.

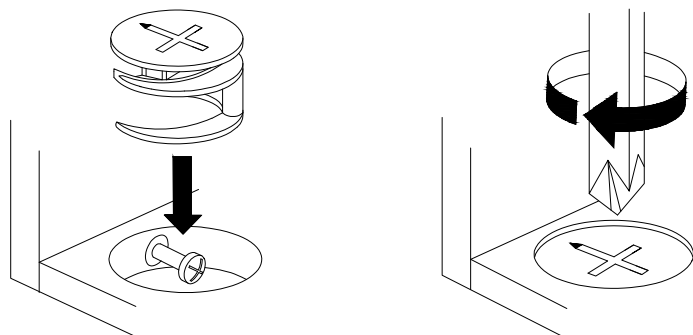
CAM LOCK



When fitting cam lock, ensure starting position is correct before you insert connecting quickfit.

Quickfit head should be in the centre of the cam lock when the two panels are joined.

Cam lock should be inserted before quickfit.



Turn cam lock clockwise to tighten.

Hardware is in box 1

Please check you have all the fittings part or tools are listed in below.

No. A

Quantity:75 Pcs
Cam Lock Dowel
8*28mm



No. B

Quantity:20 Pcs
Dowel
8*30mm



No. C

Quantity:75 Pcs
Cam
φ15



No. D

Quantity:40 Pcs
Screw
4*16mm



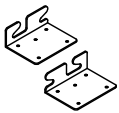
No. E

Quantity:28 Pcs
Screw
4*35mm



No. F

Quantity:4 Pcs
Fastenings
88*66*35



No. G

Quantity:8 Pcs
Screw
M6*20mm



No. H

Quantity:16 Pcs
Screw
M6*40mm



No. I

Quantity:20 Pcs
Screw
M8*20mm



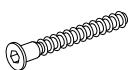
No. J

Quantity:20 Pcs
Screw Washer
φ22



No. K

Quantity:7 Pcs
Screw
M6*50



No. L

Quantity:1 Pc
Allen Key
4#



No. M

Quantity:8 Pcs
Screw
M8*55mm



No. N

Quantity:2 Pcs
Allen Key
5#



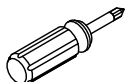
No. O

Quantity:75 Pcs
Sticker
φ21



No. P

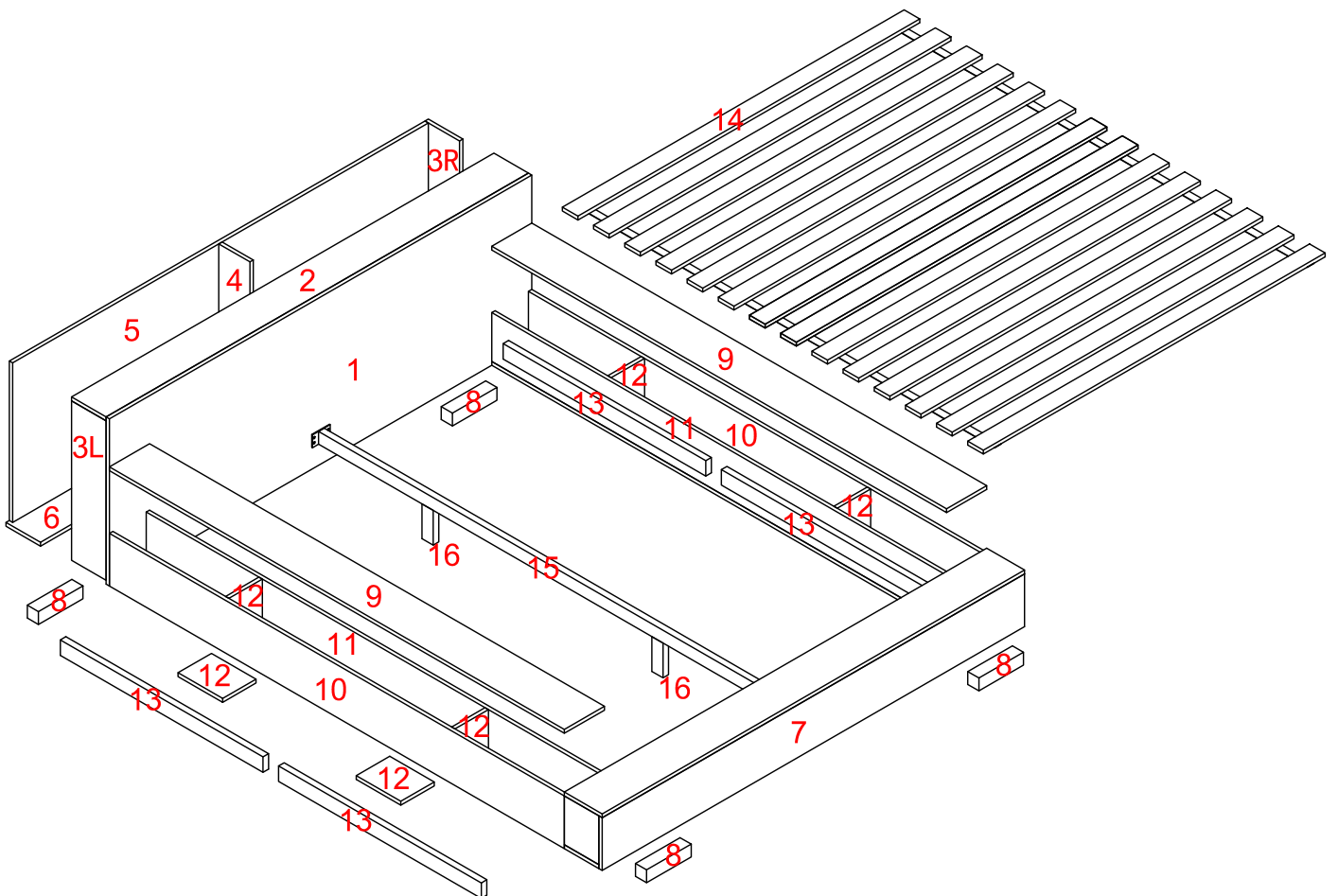
Quantity:1 Pc
Screwdriver



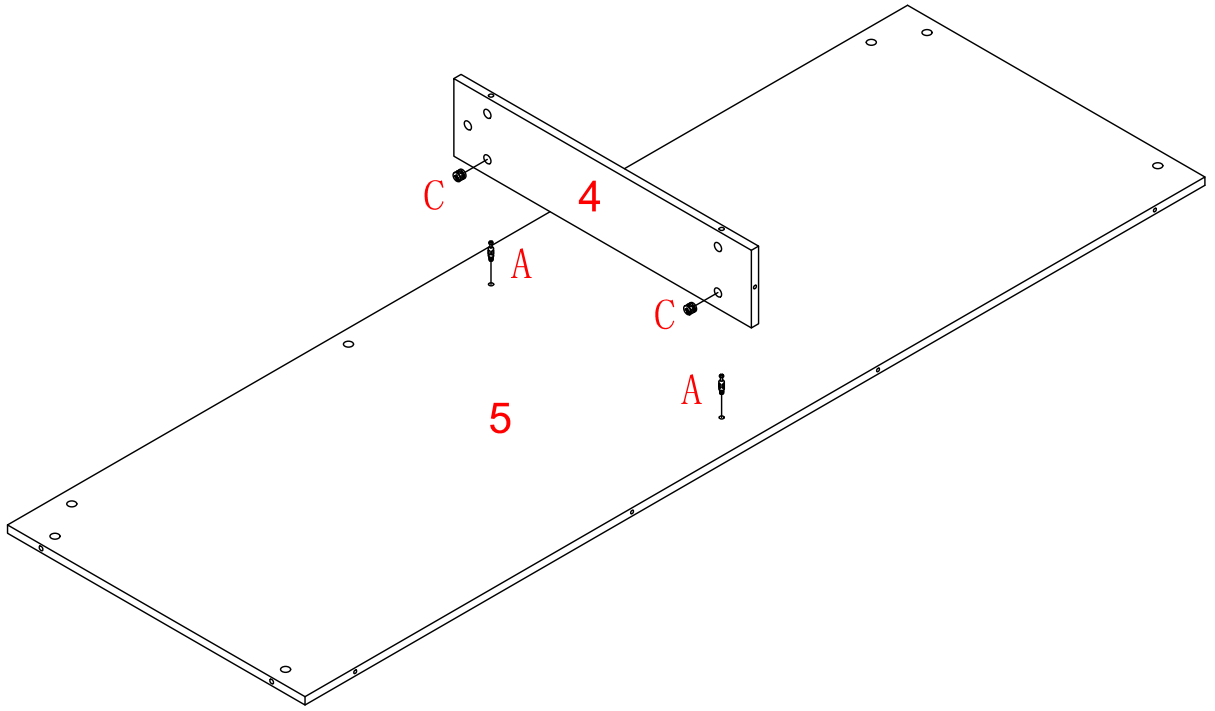
Component Panels & part List

Please check you have all the panels are listed below.

- | | | | |
|--------------------------|------------|-------------------------------|-------------|
| 1. HEADBOARD FRONT | x1 CTN 3/4 | 8. LEG | x4 CTN 1/4 |
| 2. HEADBOARD TOP | x1 CTN 1/4 | 9. BED SIDE_TOP BOARD | x2 CTN 1/4 |
| 3L. HEADBOARD SIDE LEFT | x1 CTN 2/4 | 10. BED SIDE_OUTSIDE BOARD | x2 CTN 2/4 |
| 3R. HEADBOARD SIDE RIGHT | x1 CTN 2/4 | 11. BED SIDE_INSIDE BOARD | x2 CTN 1/4 |
| 4. HEADBOARD CENTRE | x1 CTN 2/4 | 12. BED SIDE_CONNECTING BOARD | x8 CTN 2/4 |
| 5. HEADBOARD BACK BOARD | x1 CTN 3/4 | 13. SUPPORT BRACE | x4 CTN 1/4 |
| 6. HEADBOARD BOTTOM | x1 CTN 1/4 | 14. BED SLAT | x14 CTN 2/4 |
| 7. BED END | x1 CTN 4/4 | 15. CENTRE BAR | x1 CTN 1/4 |
| | | 16. MIDDLE LEG | x2 CTN 1/4 |



STEP 1



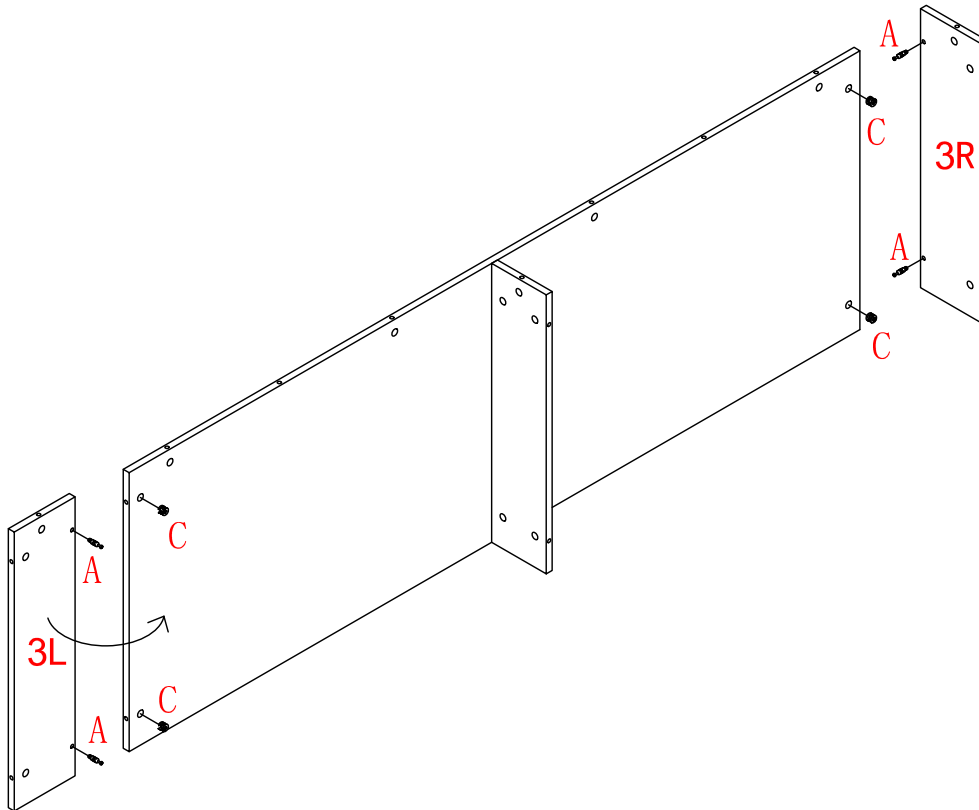
No. A
Quantity:2 Pcs
Cam Lock Dowel
8*28mm



No. C
Quantity:2 Pcs
Cam
φ15



STEP 2



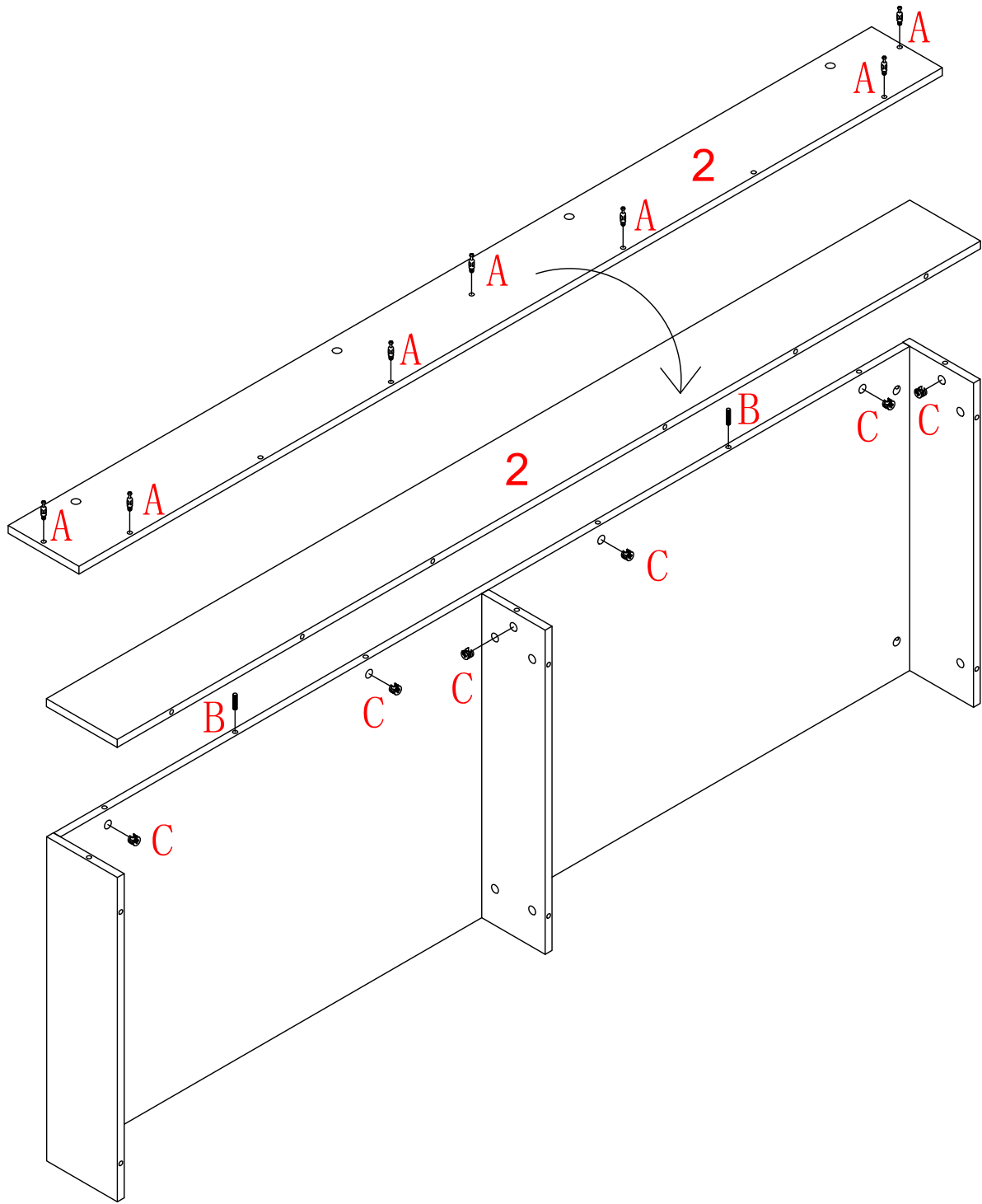
No. A
Quantity:4 Pcs
Cam Lock Dowel
8*28mm



No. C
Quantity:4 Pcs
Cam
φ15



STEP 3



No. A
Quantity: 7 Pcs
Cam Lock Dowel
8*28mm



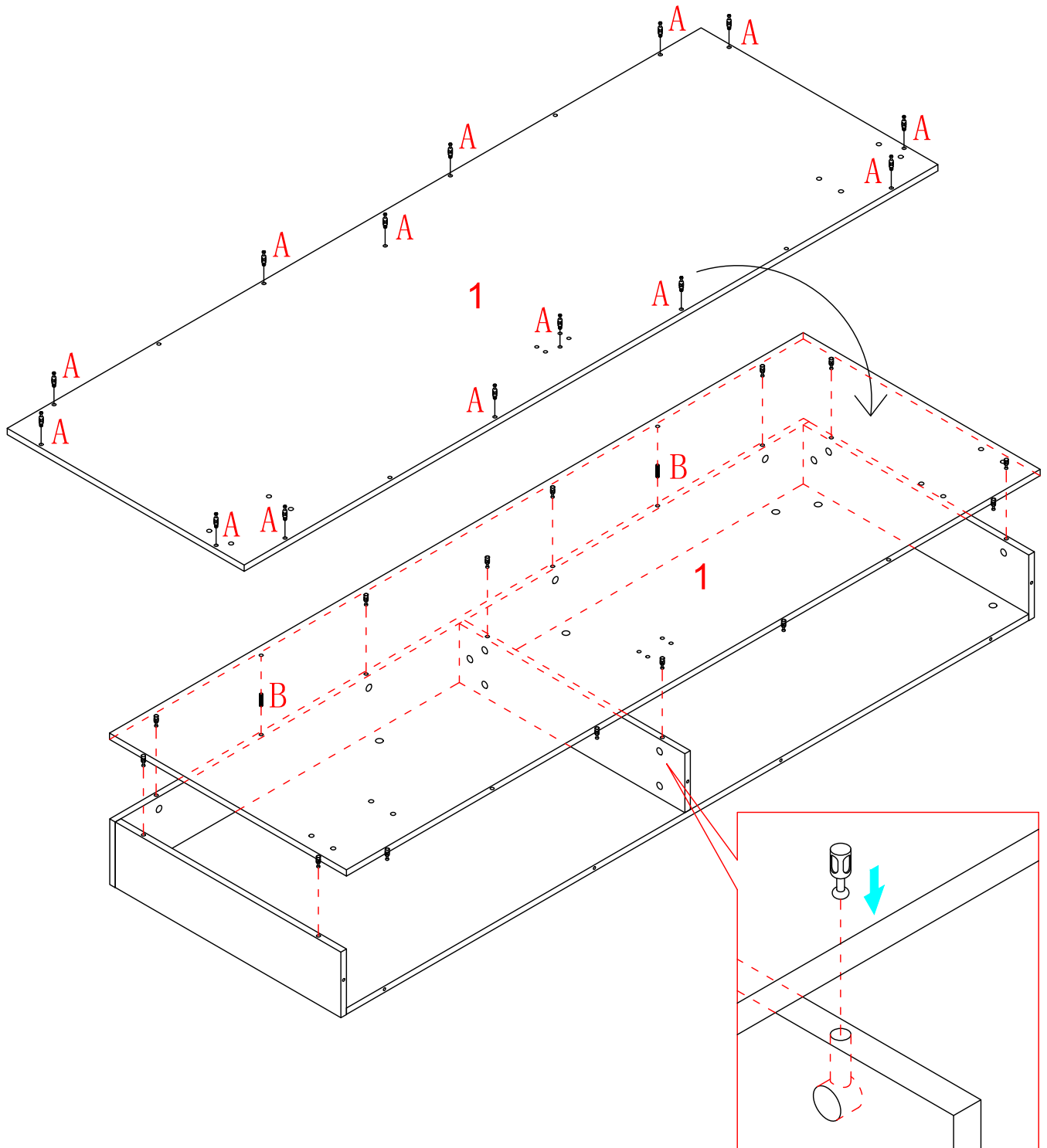
No. B
Quantity: 2 Pcs
Dowel
8*30mm



No. C
Quantity: 7 Pcs
Cam
φ15



STEP 4



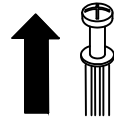
No. A
Quantity: 14 Pcs
Cam Lock Dowel
8*28mm



No. B
Quantity: 2 Pcs
Dowel
8*30mm



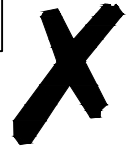
CAM LOCK



CORRECT



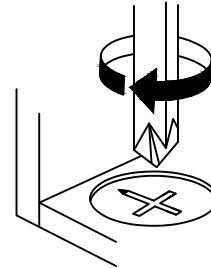
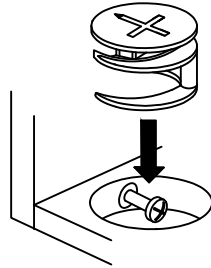
WRONG



When fitting cam lock, ensure starting position is correct before you insert connecting quickfit.

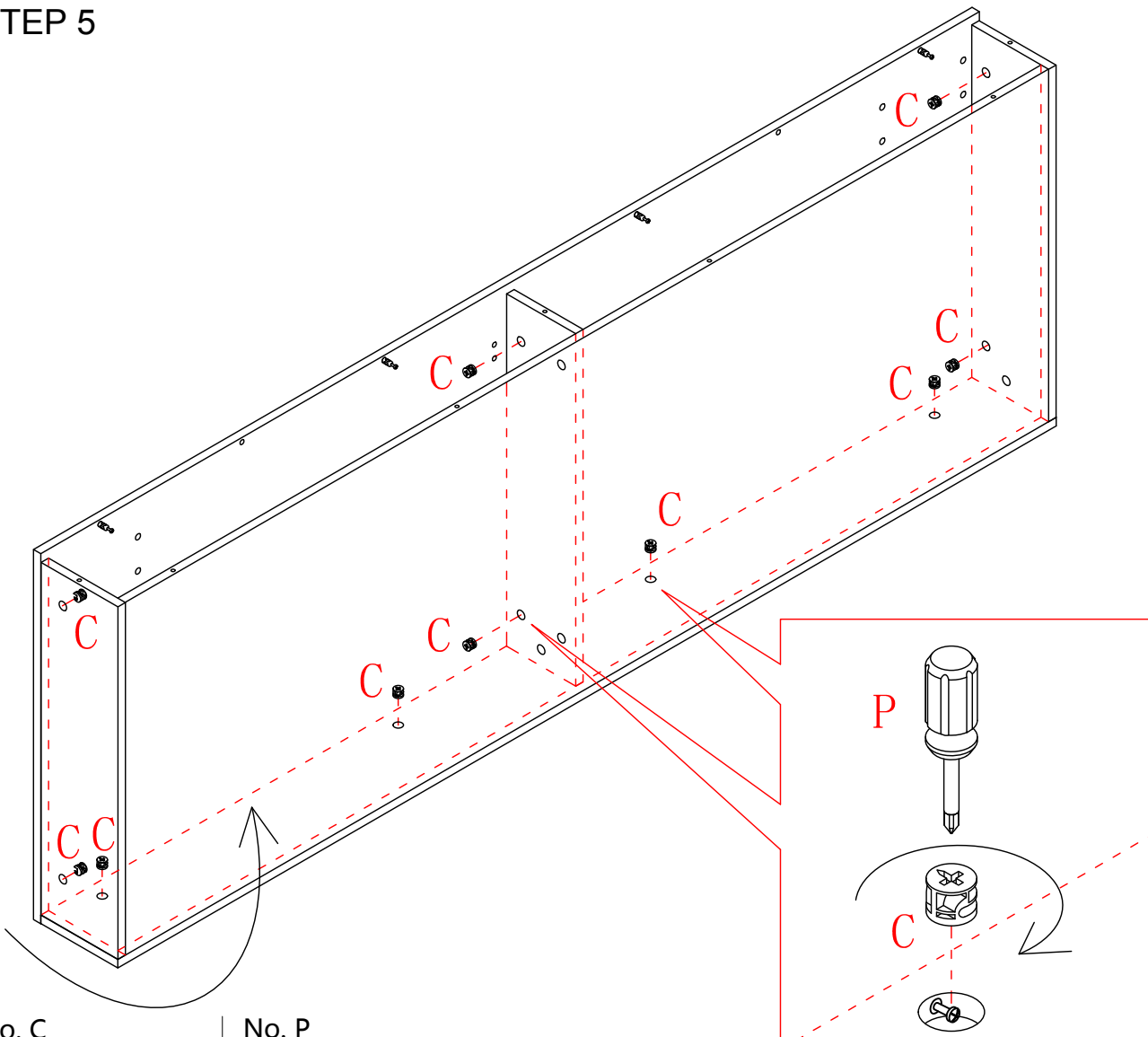
Quickfit head should be in the centre of the cam lock when the two panels are joined.

Cam lock should be inserted before quickfit.



Turn cam lock clockwise to tighten.

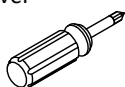
STEP 5



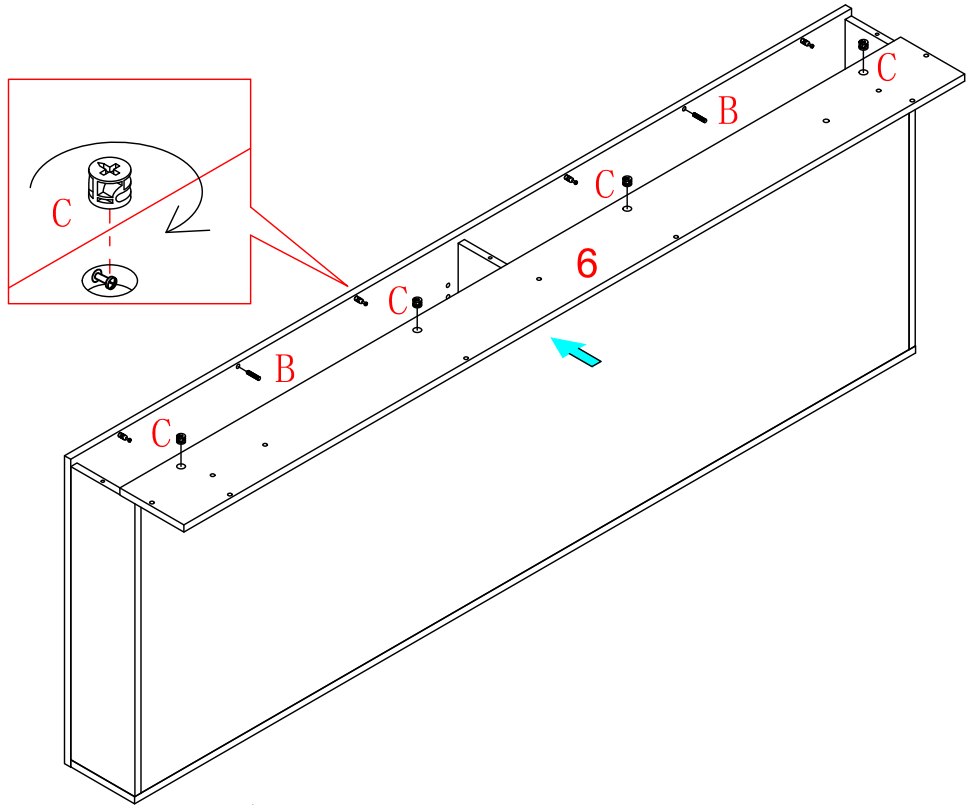
No. C
Quantity: 10 Pcs
Cam
φ15



No. P
Quantity: 1 Pc
Screwdriver



STEP 6



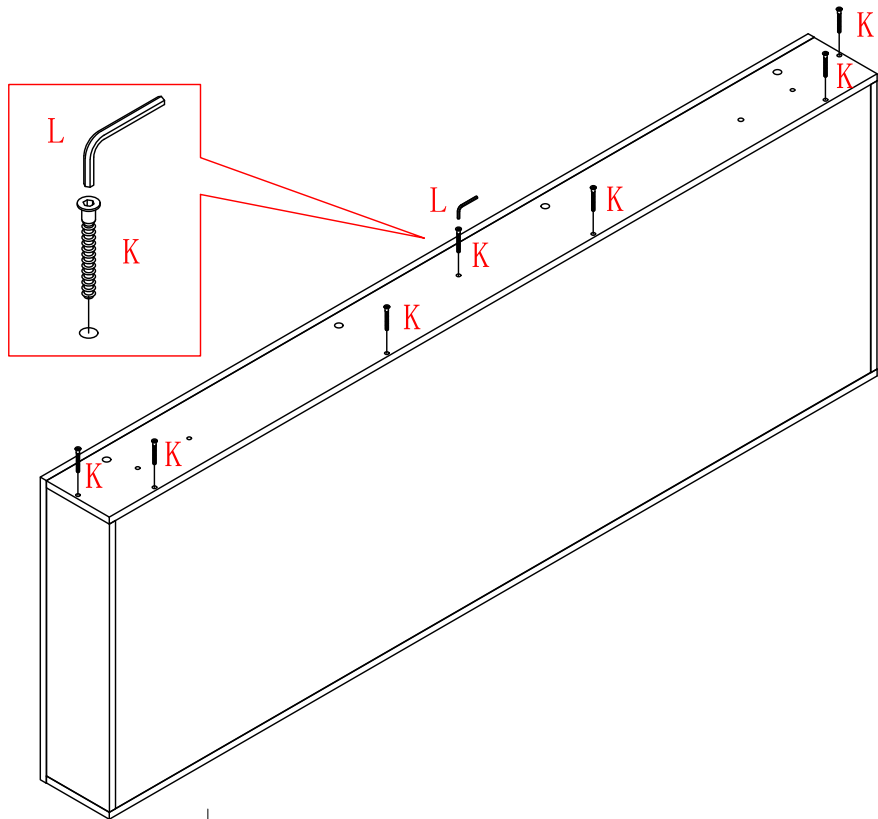
No. B
Quantity: 2 Pcs
Dowel
8*30mm



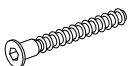
No. C
Quantity: 4 Pcs
Cam
φ15



STEP 7



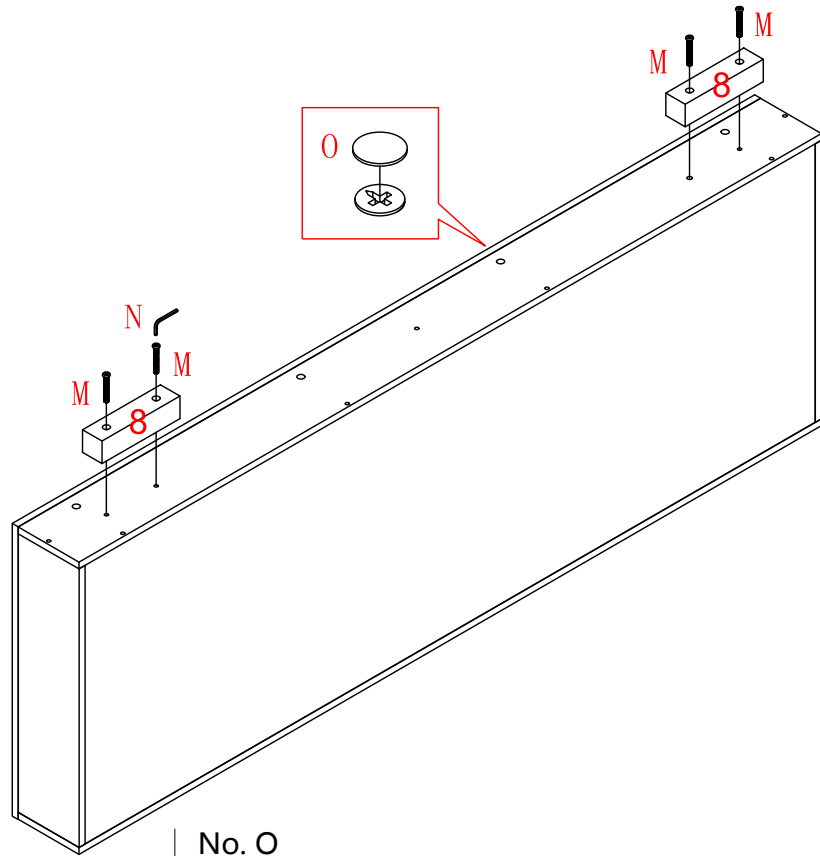
No. K
Quantity: 7 Pcs
Screw
M6*50



No. L
Quantity: 1 Pc
Allen Key
4#



STEP 8



No. M
Quantity:4 Pcs
Screw
M8*55mm



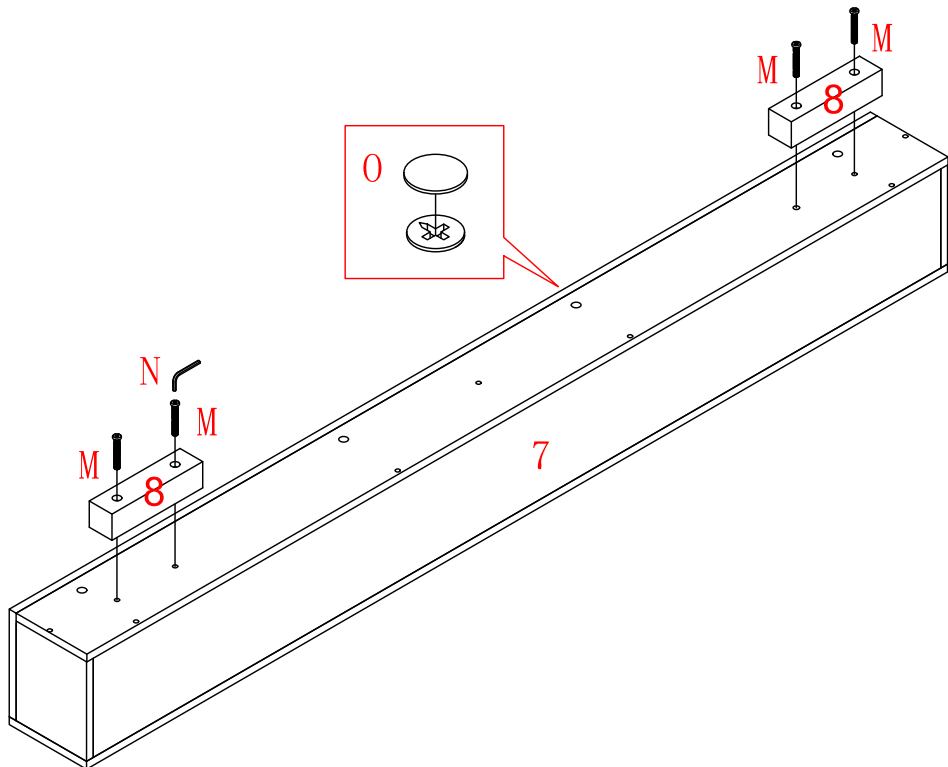
No. N
Quantity:1 Pc
Allen Key
5#



No. O
Quantity:4 Pcs
Sticker
φ21



STEP 9



No. M
Quantity:4 Pcs
Screw
M8*55mm



No. N
Quantity:1 Pc
Allen Key
5#

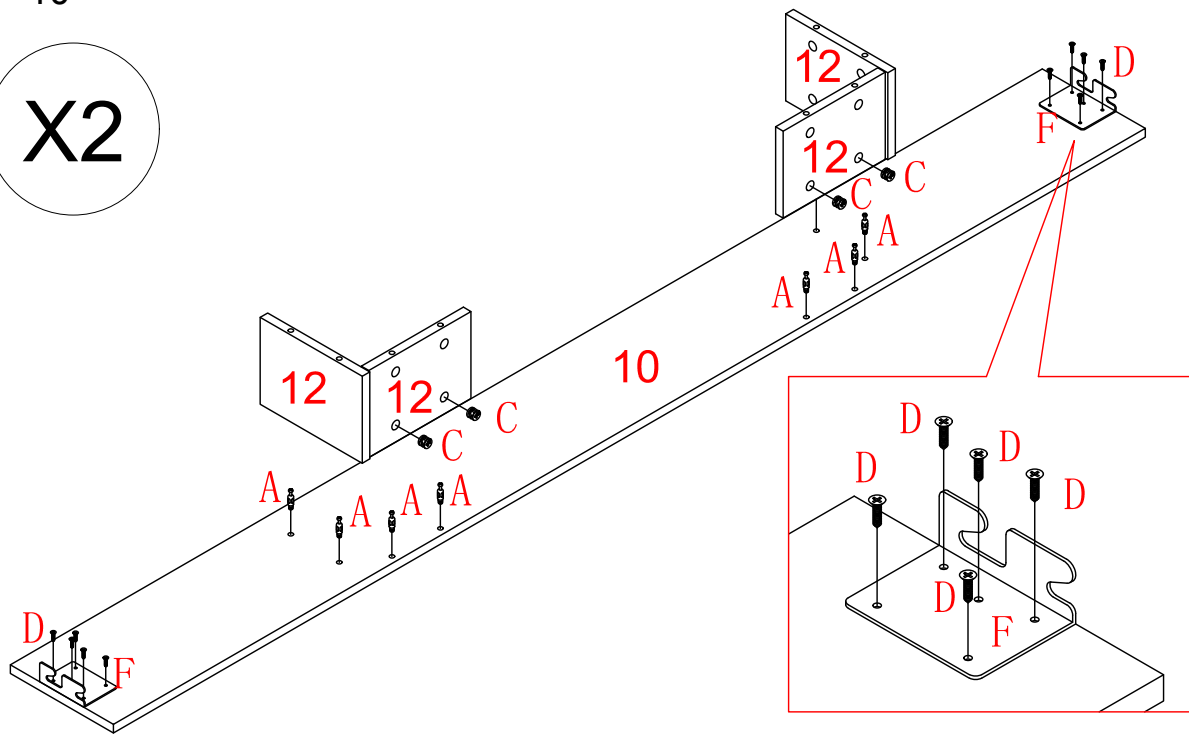


No. O
Quantity:4 Pcs
Sticker
φ21




STEP 10


X2



No. A
Quantity:16 Pcs
Cam Lock Dowel
8*28mm



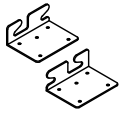
No. C
Quantity:16 Pcs
Cam
φ15



No. D
Quantity:20 Pcs
Screw
4*16mm

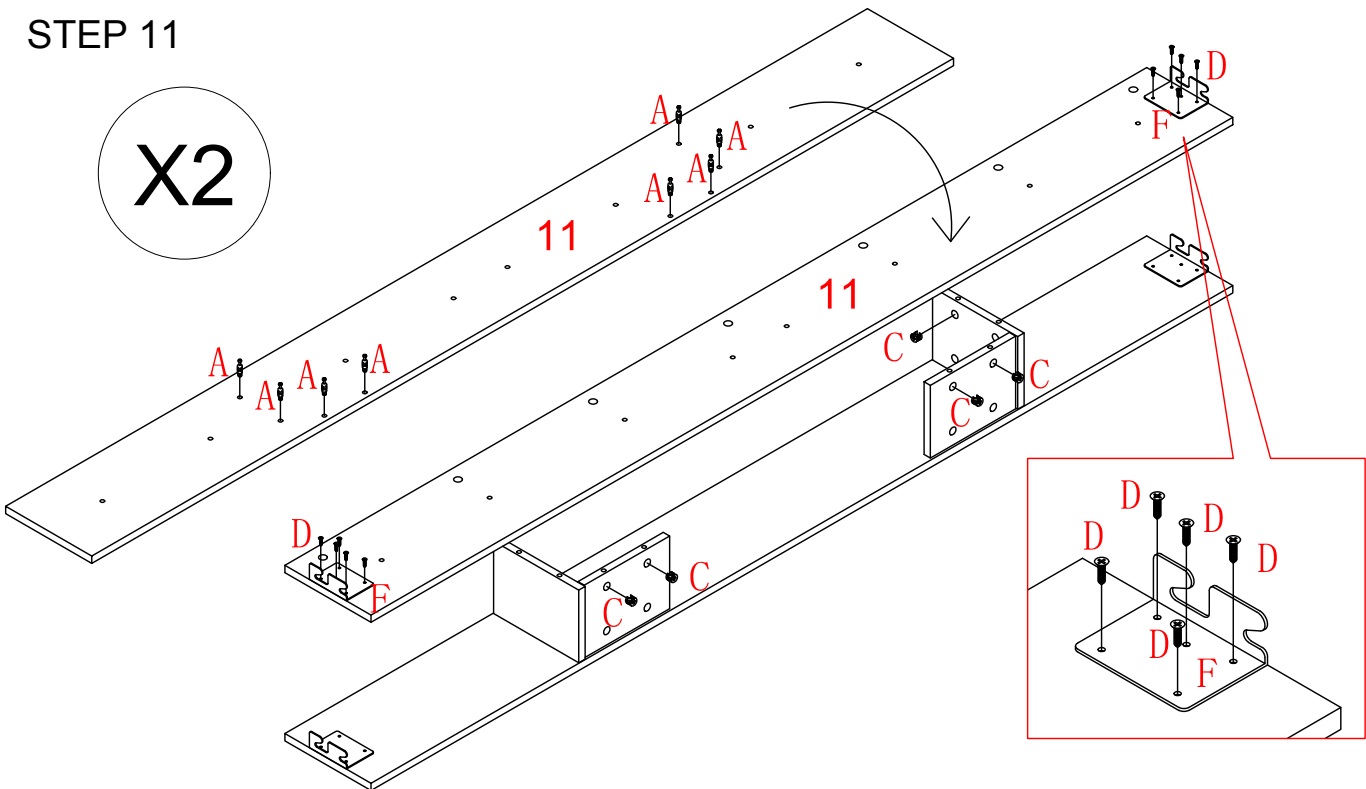


No. F
Quantity:2 Pcs
Fastenings
88*66*35




STEP 11


X2




No. A
Quantity:16 Pcs
Cam Lock Dowel
8*28mm



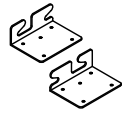
No. C
Quantity:16 Pcs
Cam
φ15



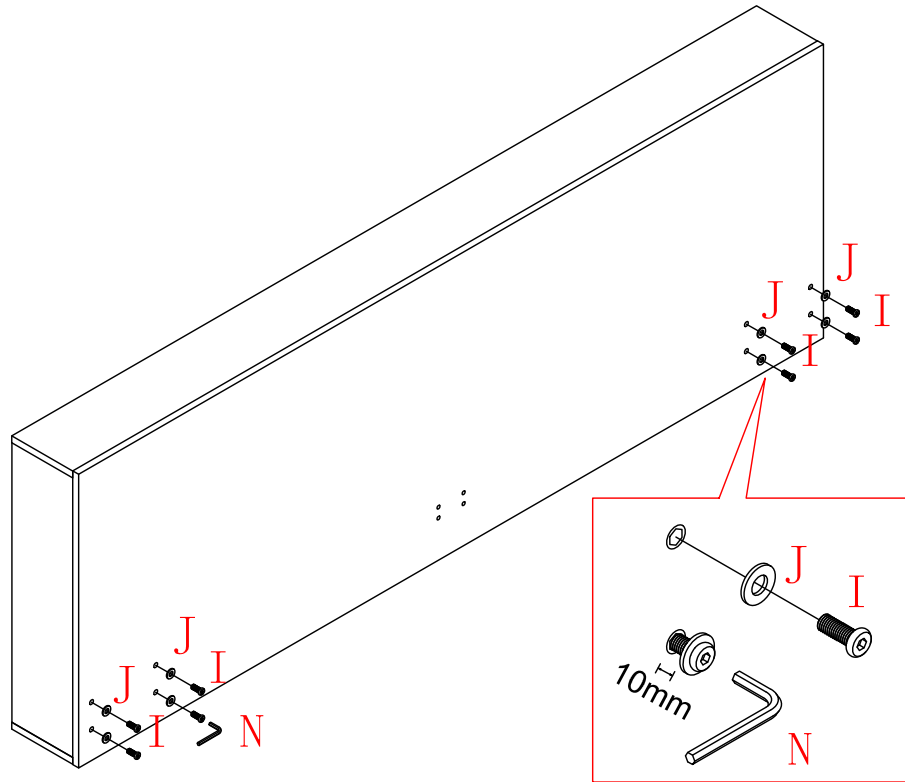
No. D
Quantity:20 Pcs
Screw
4*16mm



No. F
Quantity:2 Pcs
Fastenings
88*66*35



STEP 12



No. I
Quantity:8 Pcs
Screw
M8*20mm



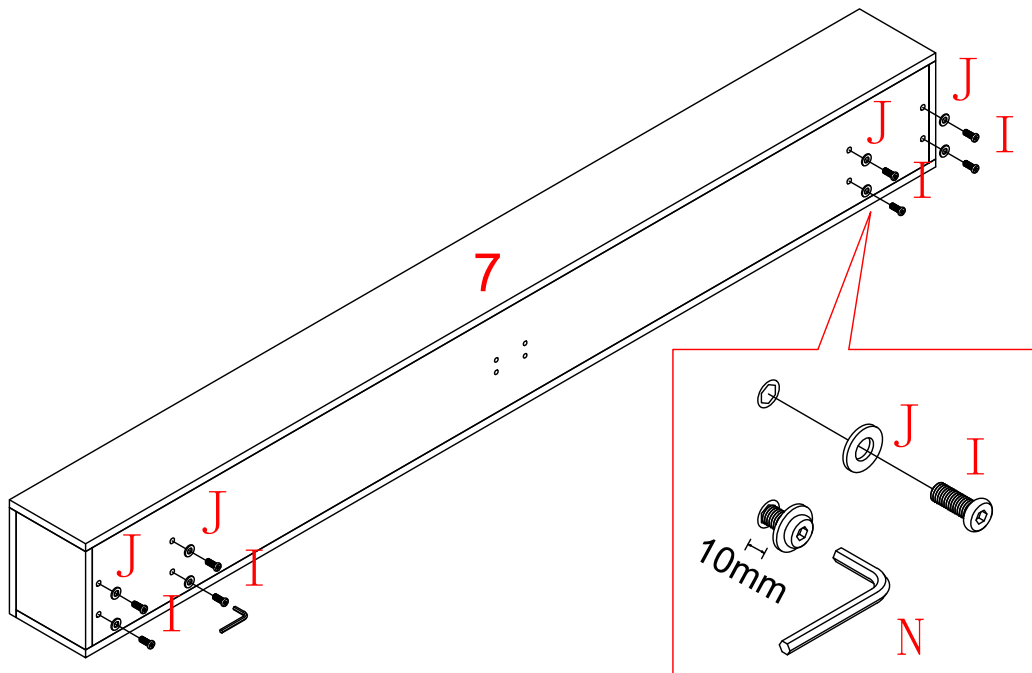
No. J
Quantity:8 Pcs
Screw Washer
φ22



No. N
Quantity:1 Pc
Allen Key
5#



STEP 13



No. I
Quantity:8 Pcs
Screw
M8*20mm



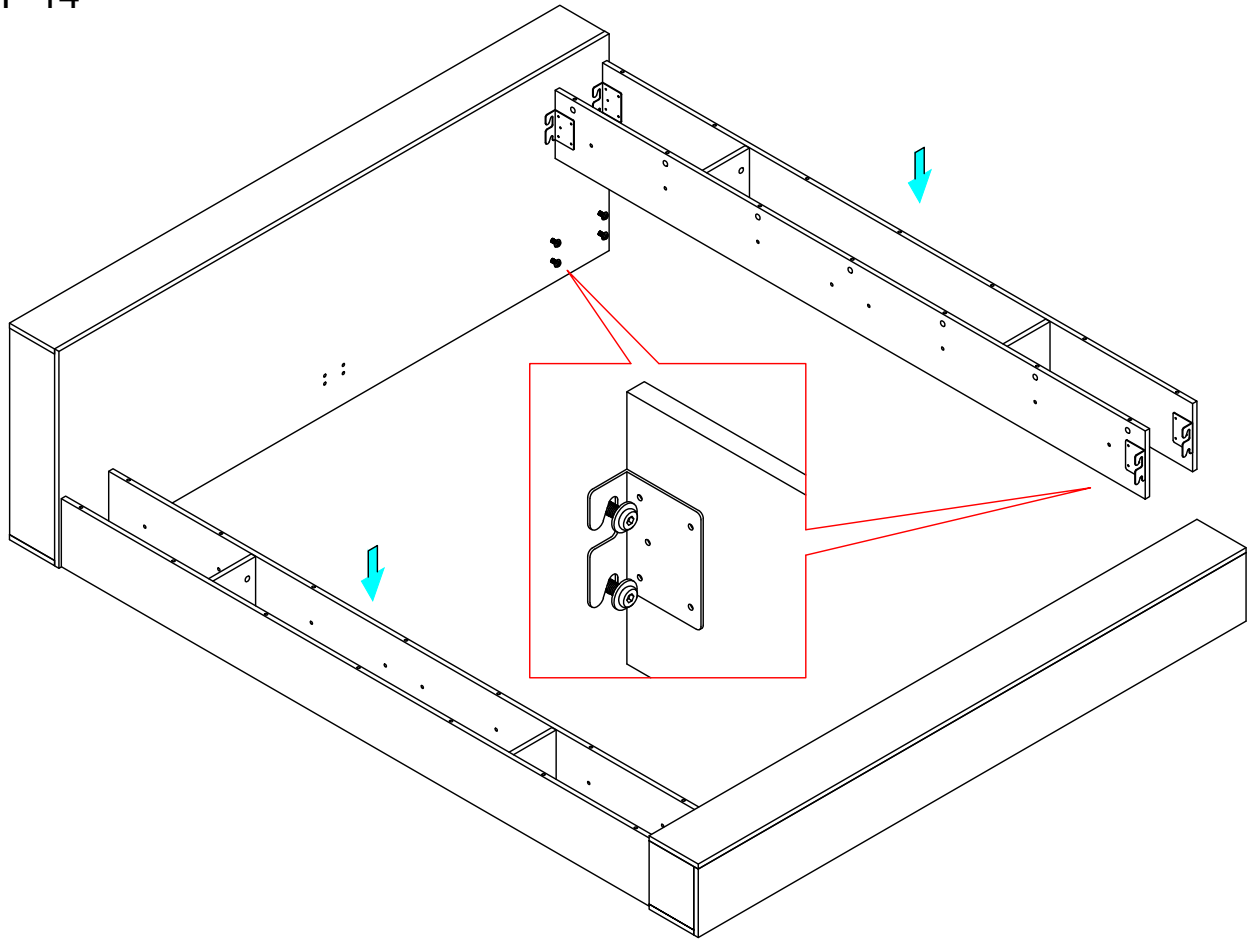
No. J
Quantity:8 Pcs
Screw Washer
φ22



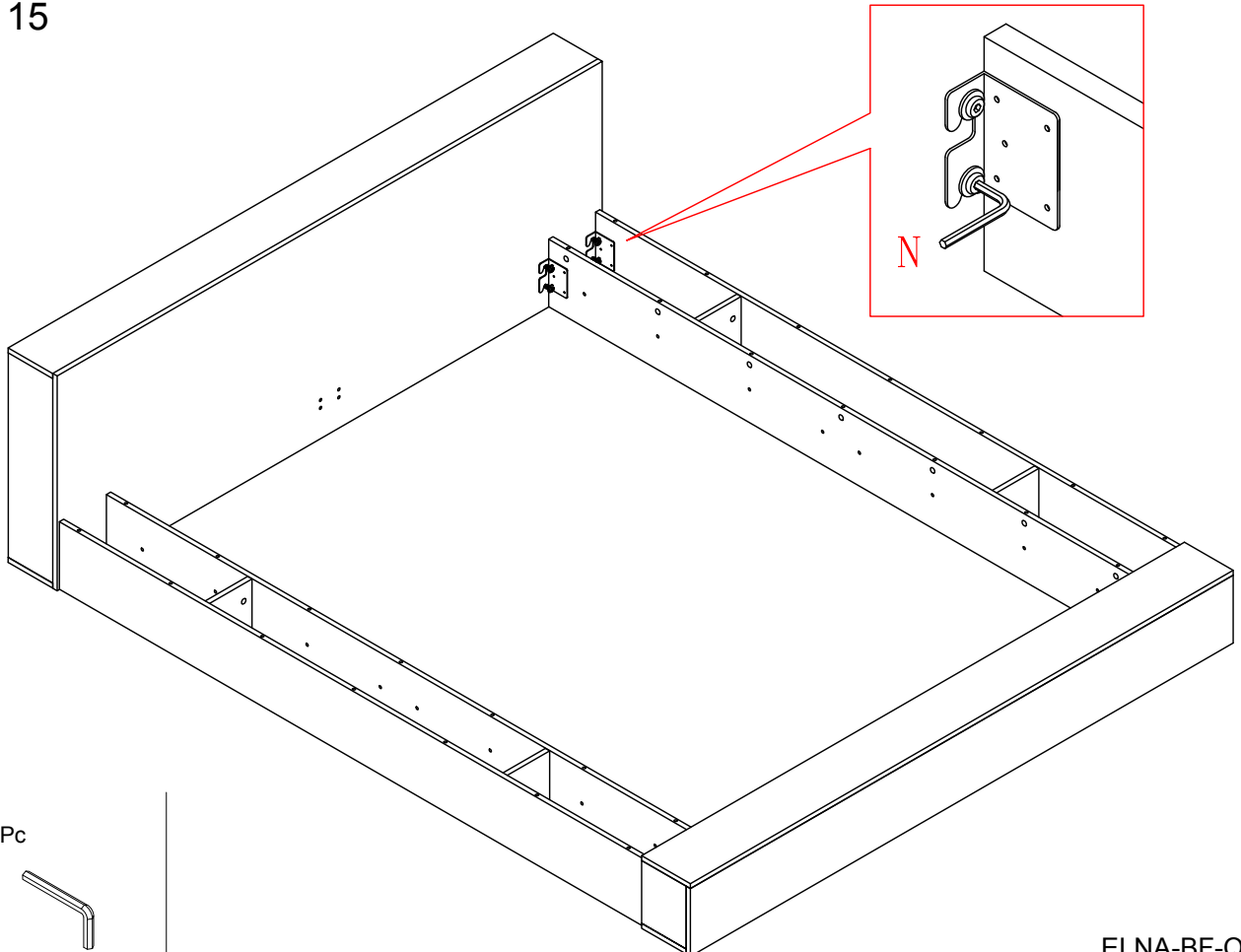
No. N
Quantity:1 Pc
Allen Key
5#



STEP 14



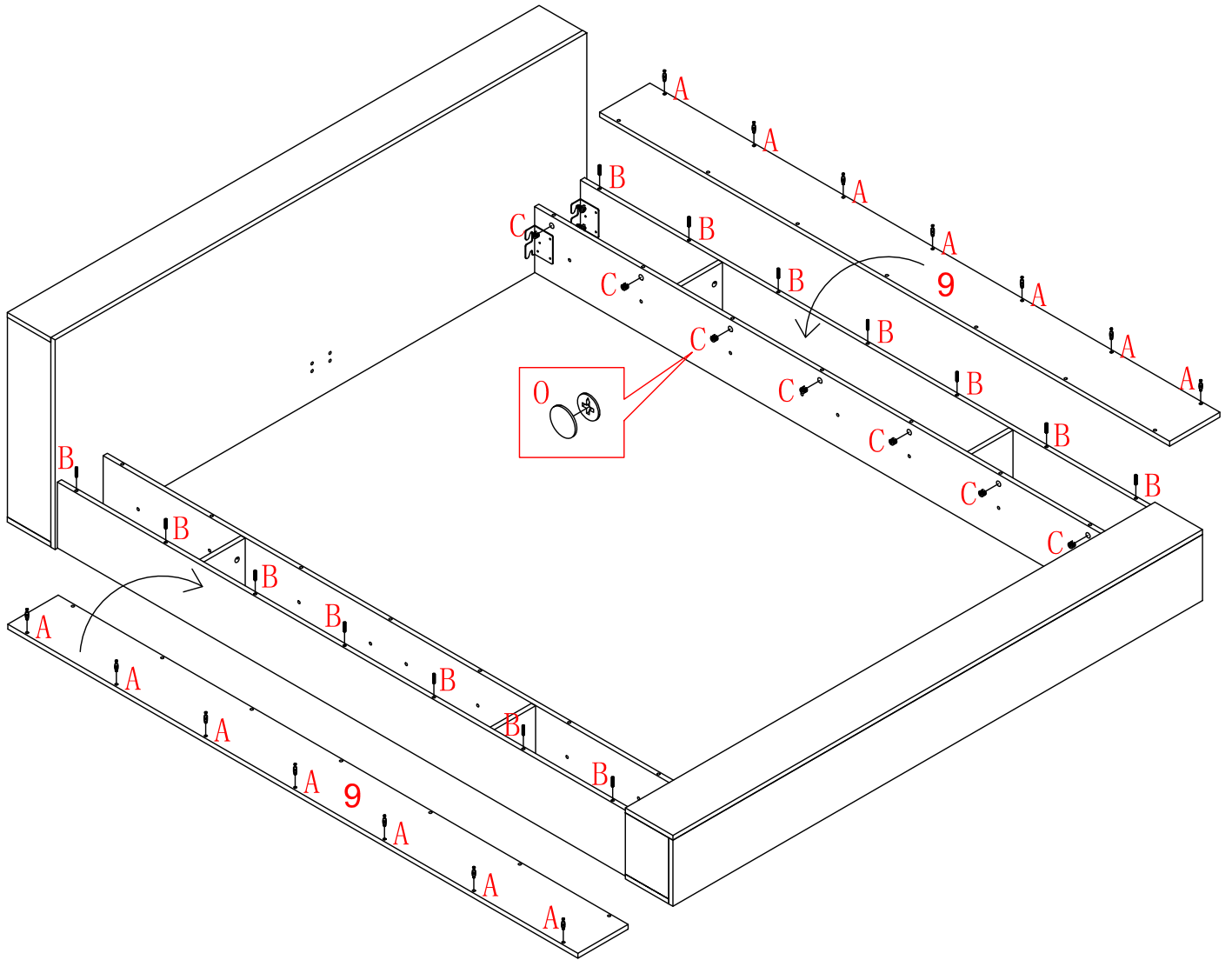
STEP 15



No. N
Quantity: 1 Pc
Allen Key
5#



STEP 16



No. A
Quantity: 14 Pcs
Cam Lock Dowel
8*28mm



No. B
Quantity: 14 Pcs
Dowel
8*30mm



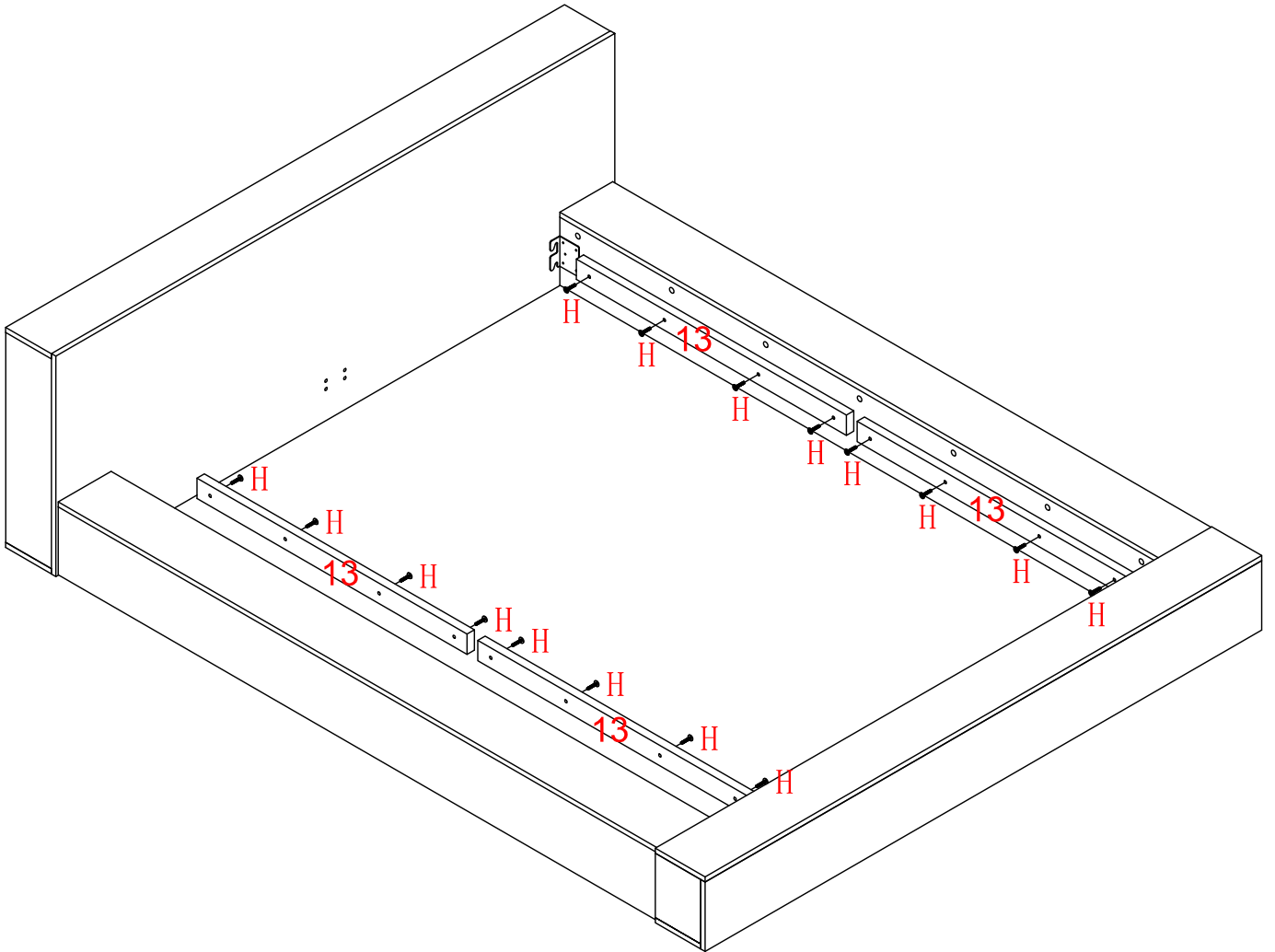
No. C
Quantity: 14 Pcs
Cam
φ15



No. O
Quantity: 14 Pcs
Sticker
φ21



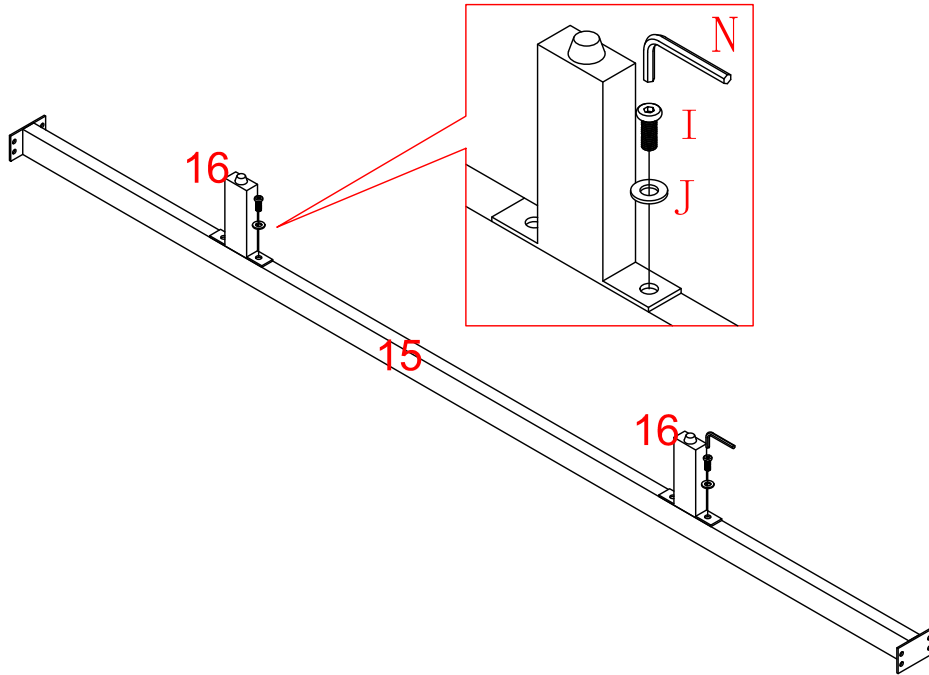
STEP 17



No. H
Quantity: 16 Pcs
Screw
M6*40mm



STEP 18



No. I
Quantity:4 Pcs
Screw
M8*20mm



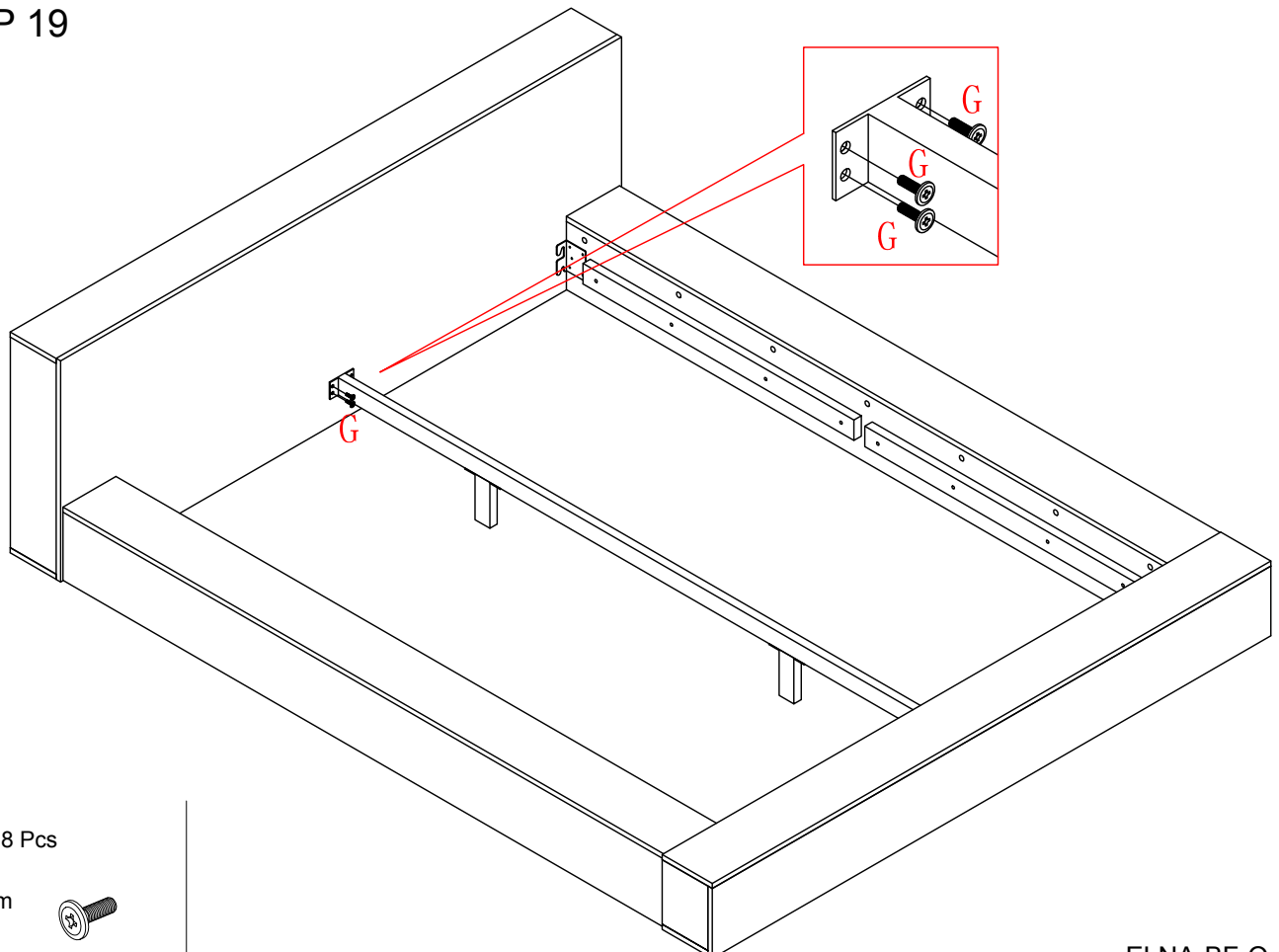
No. J
Quantity:4 Pcs
Screw Washer
φ22



No. N
Quantity:1 Pc
Allen Key
5#



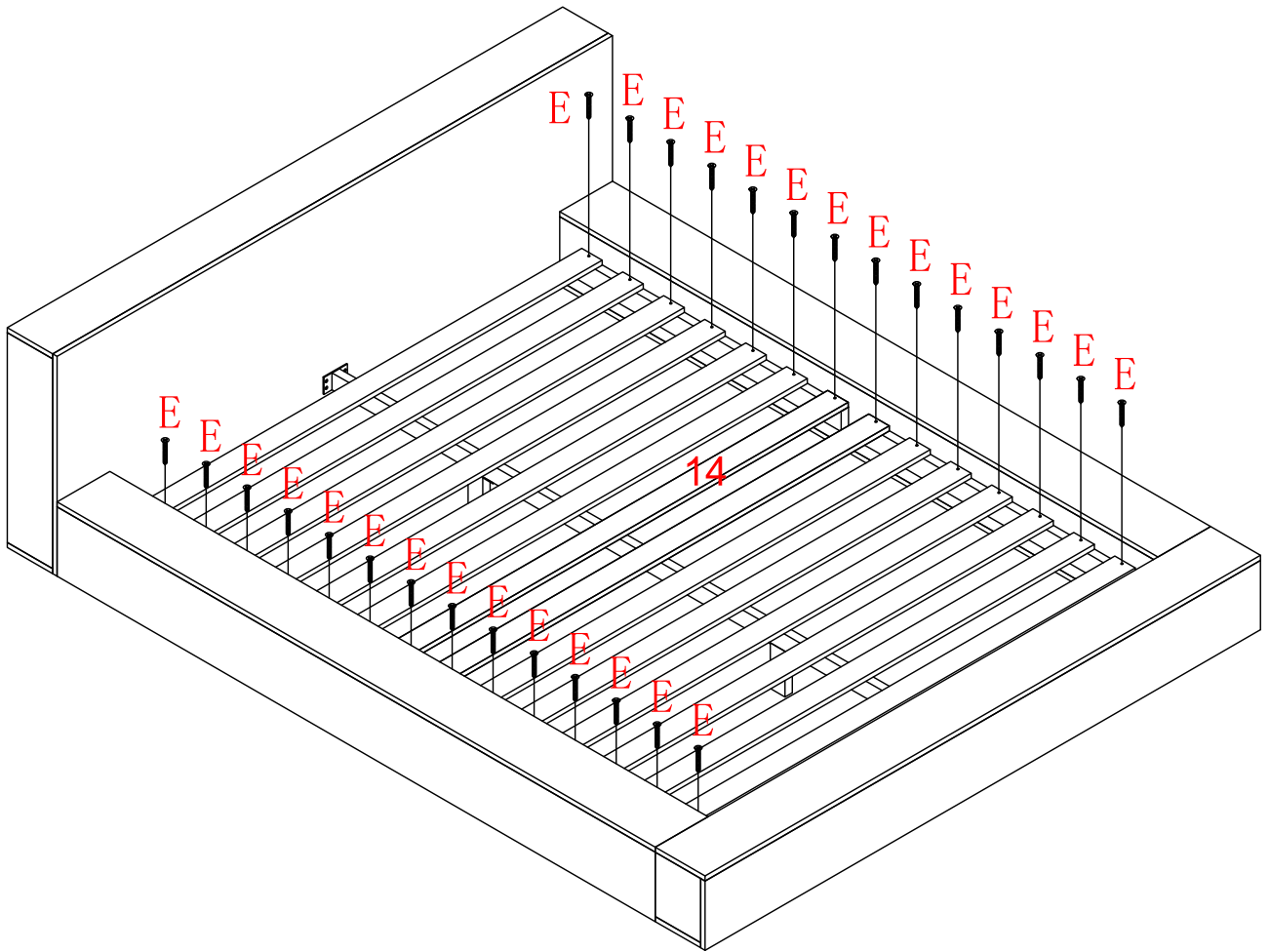
STEP 19



No. G
Quantity:8 Pcs
Screw
M6*20mm



STEP 20



No. E
Quantity: 28 Pcs
Screw
4*35mm



lifely.com.au

Great job. You're done!

Don't forget to share how it looks in
your space and tag us on Instagram.
@lifelyhome#homewithlifely!