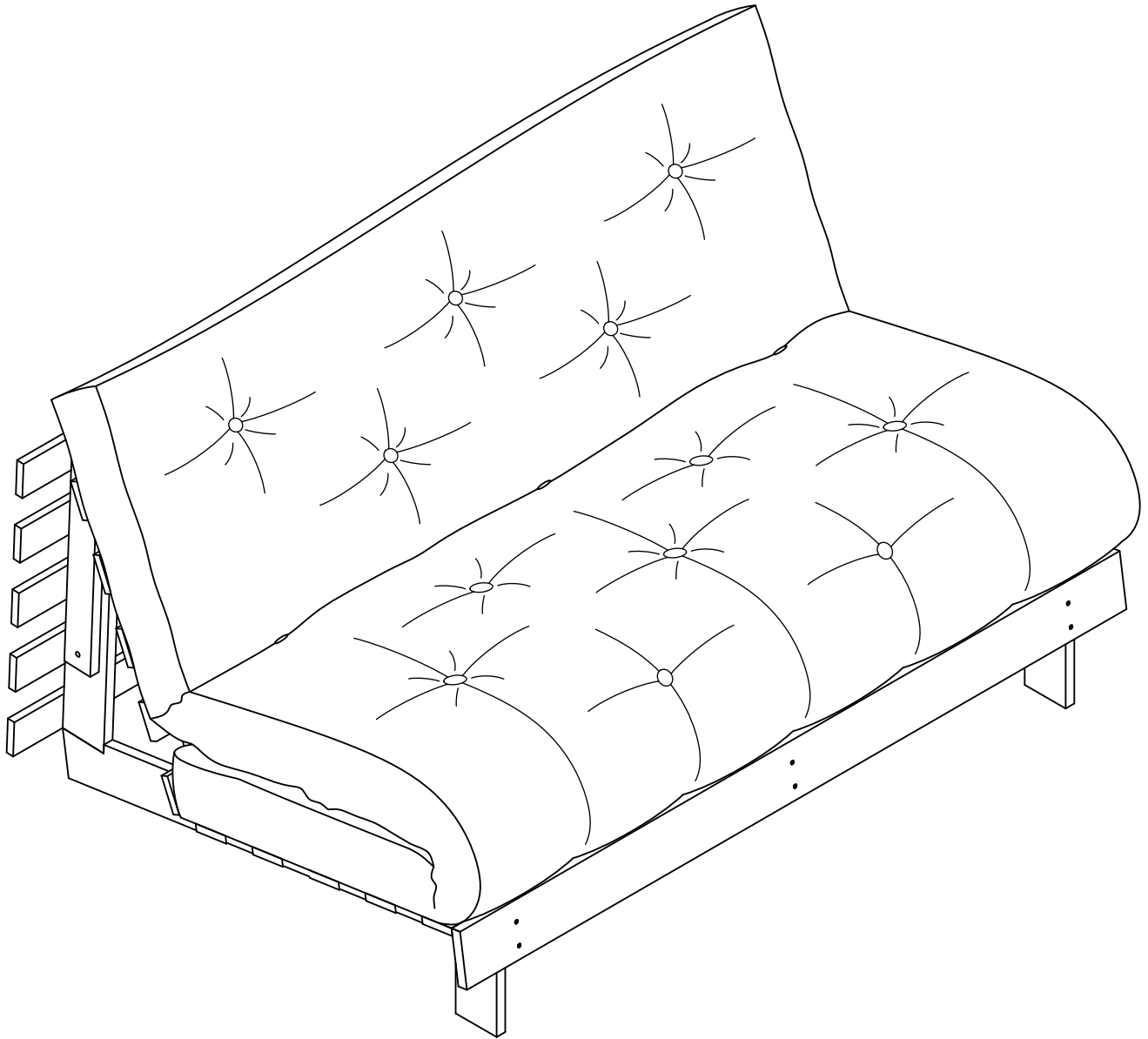


Assembly Instructions

Carson Sofa Bed



Product Code

Carson Sofa Bed CRSN-SB-NATR

Dimensions(W x D x H)

Bed Dimension 153W x 203D x 25H (cm)

Sofa Dimension 153W x 112D x 82H (cm)

Lounge Dimension 153W x 165D x 68 H (cm)

Important

Please read through instruction carefully
Before assembly and keep for future reference.

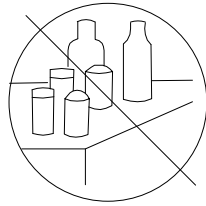
For our full catalogue of assembly instructions,
Visit: lively.com.au/assembly.

Important Tips and Maintenance



1.

Keep children and animals away from working area as smaller parts may cause choking if swallowed.



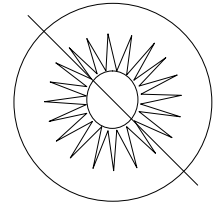
2.

Never place liquids or anything damp upon furniture as it will mark. Ensure a coaster or running is beneath.



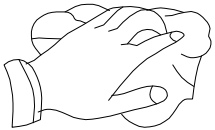
3.

Never use ammonia based cleaning products as it will damage the finish.



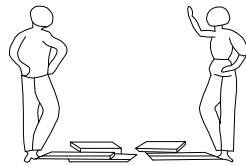
4.

To avoid fading, keep furniture out of direct sunlight.



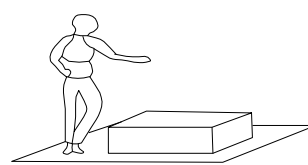
5.

Use a soft or damp cloth (dry cloth) when wiping or cleaning surfaces.



6.

Two person are required.



7.

Lay a soft matt down to protect the furniture piece before and during assembly.

So your relationship is strong. But is it flat-pack furniture strong? Unless you're an aerospace engineer, assembling furniture can be slightly stressful. We recommend meditating quietly, pouring yourself a herbal tea (or slightly less herbal wine) and tackling things one step at a time. If you feel a passive aggressive remark coming on, try a compliment instead .E.g."You're so good looking".

This 3-Step assembly should take around 15 minutes with an Allen Key-or 8 minutes with an electric drill.
Godspeed.

Designed for everyday

Component Hardware---1/2

Please check you have all the fittings
part or tools are listed in below.

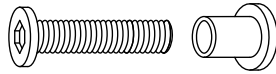
No. A

Quantity: 27Pcs
Screw M4x40mm



No. B

Quantity: 4Set
Screw M8x40mm



No. C

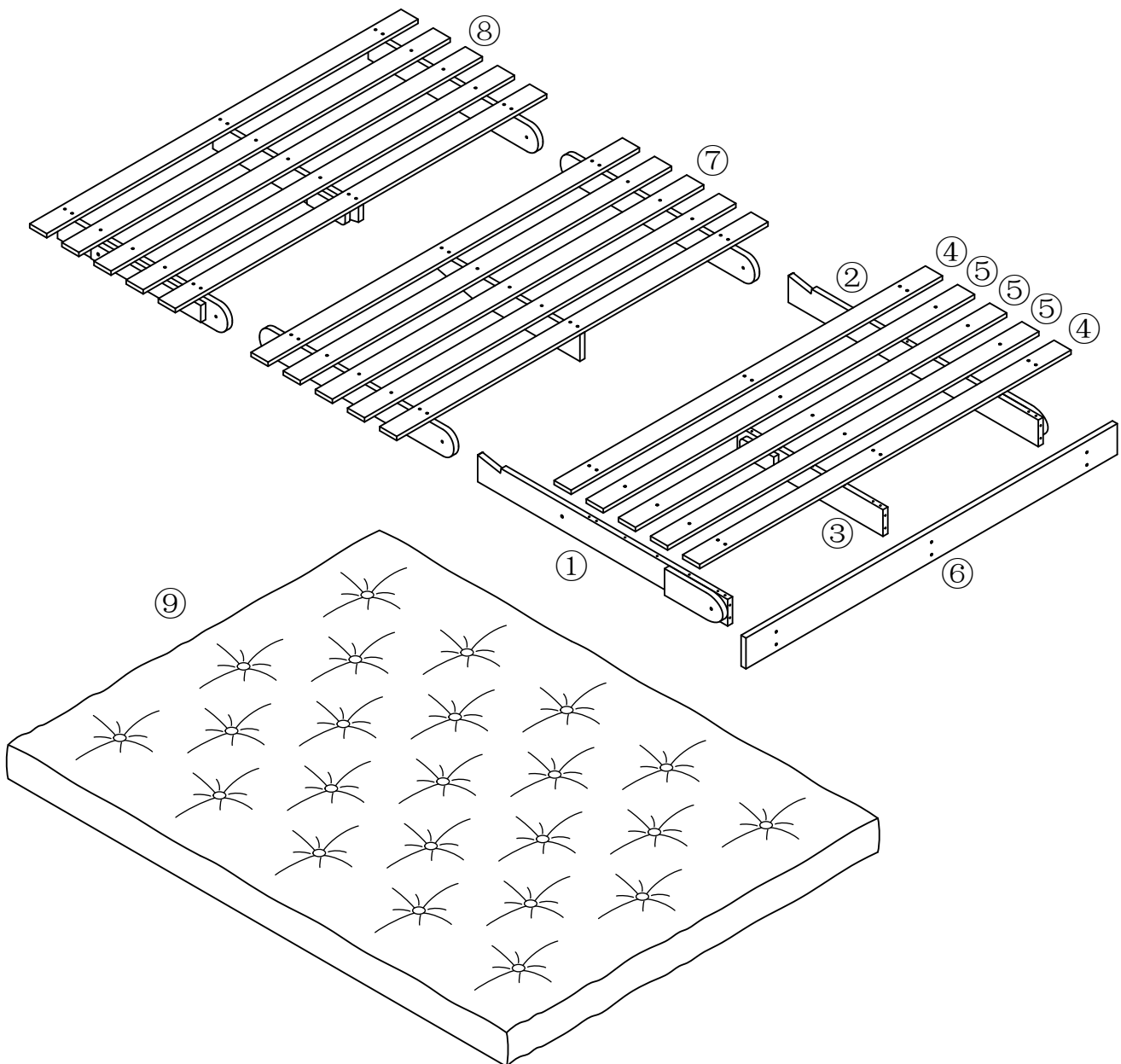
Quantity: 2Pcs
Allen Key N5



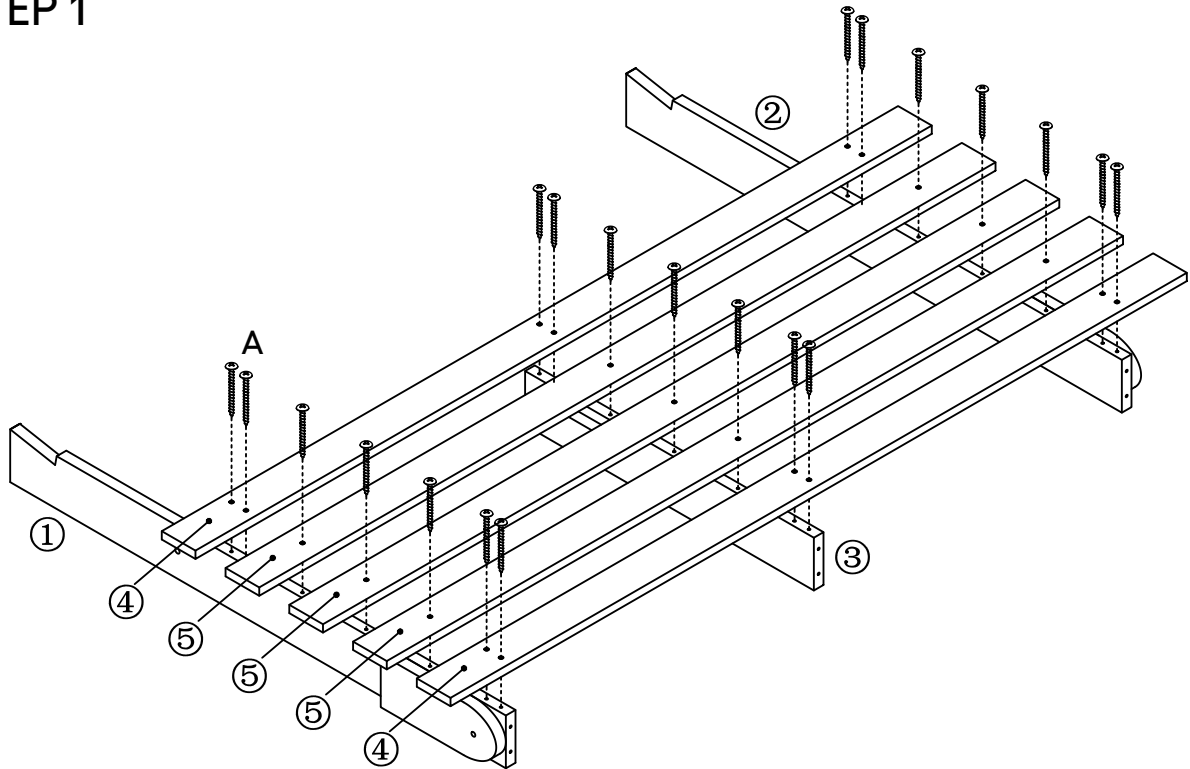
Component Part List

Please check you have all the parts are listed below.

1. End left rail-----x1-Carton 1/2
2. End right rail-----x1-Carton 1/2
3. End middle rail-----x1-Carton 1/2
4. End side slats-----x2-Carton 1/2
5. End middle slats-----x3-Carton 1/2
6. End front rail-----x1-Carton 1/2
7. Middle board-----x1-Carton 1/2
8. Front board-----x1-Carton 1/2
9. Mattress-----x1-Carton 2/2



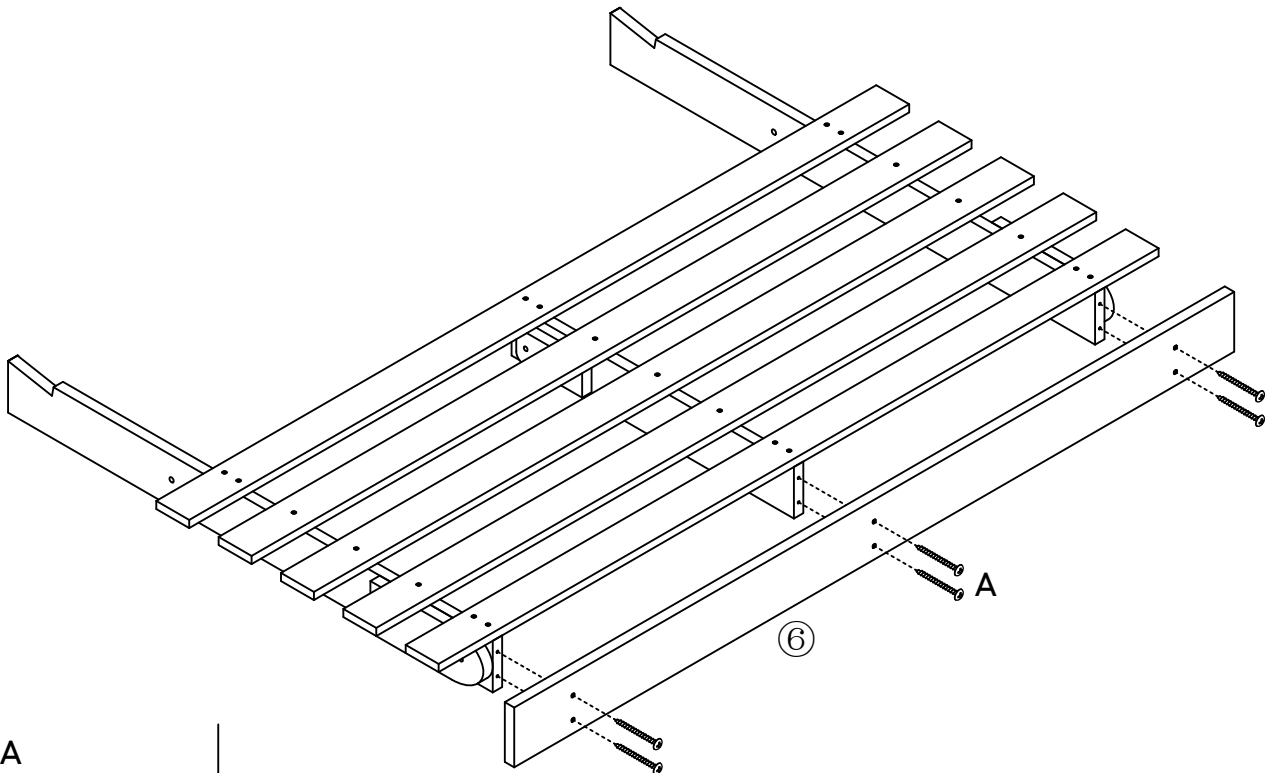
STEP 1



No. A
Quantity. 21Pcs
Screw M4x40mm



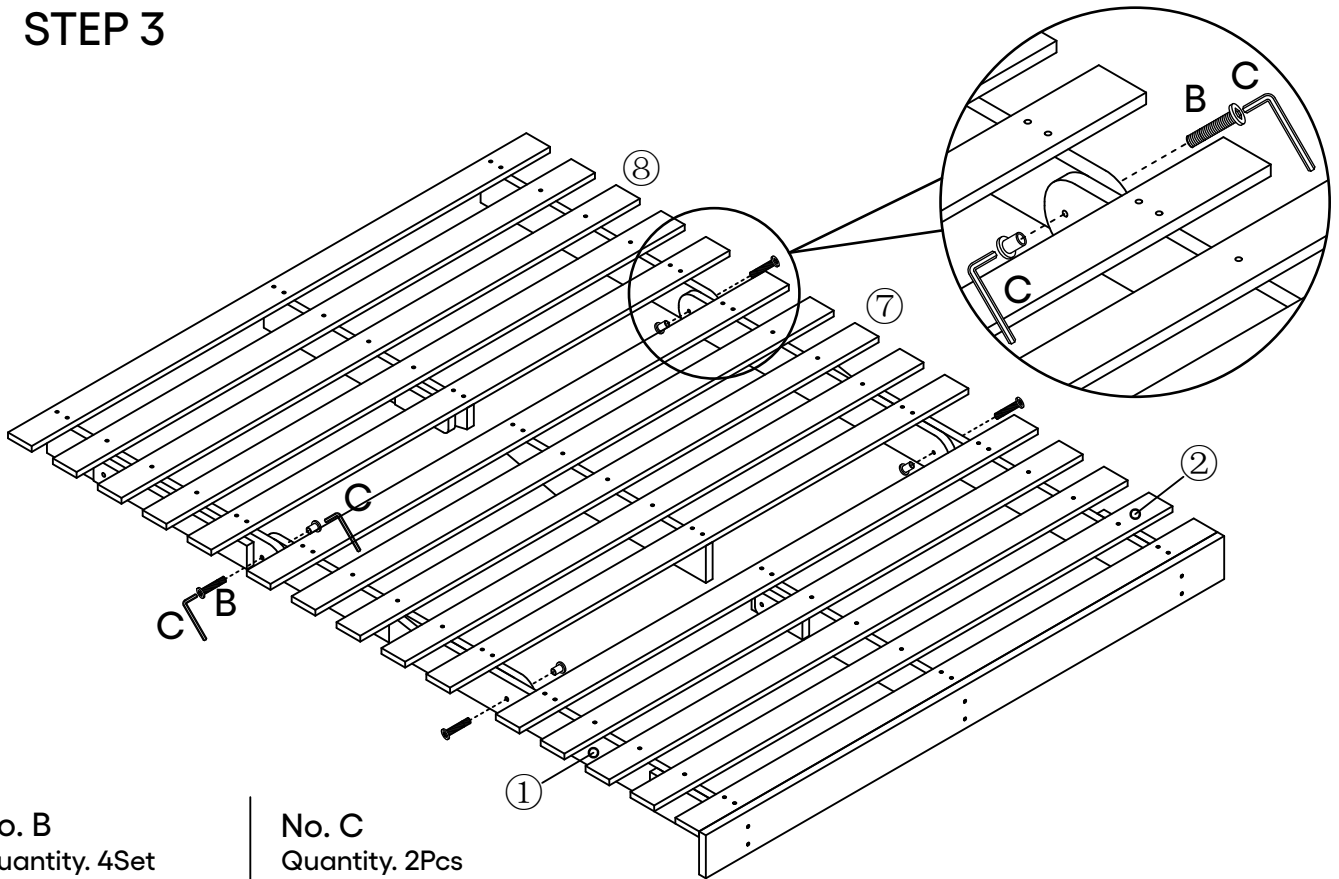
STEP 2



No. A
Quantity. 6Pcs
Screw M4x40mm



STEP 3



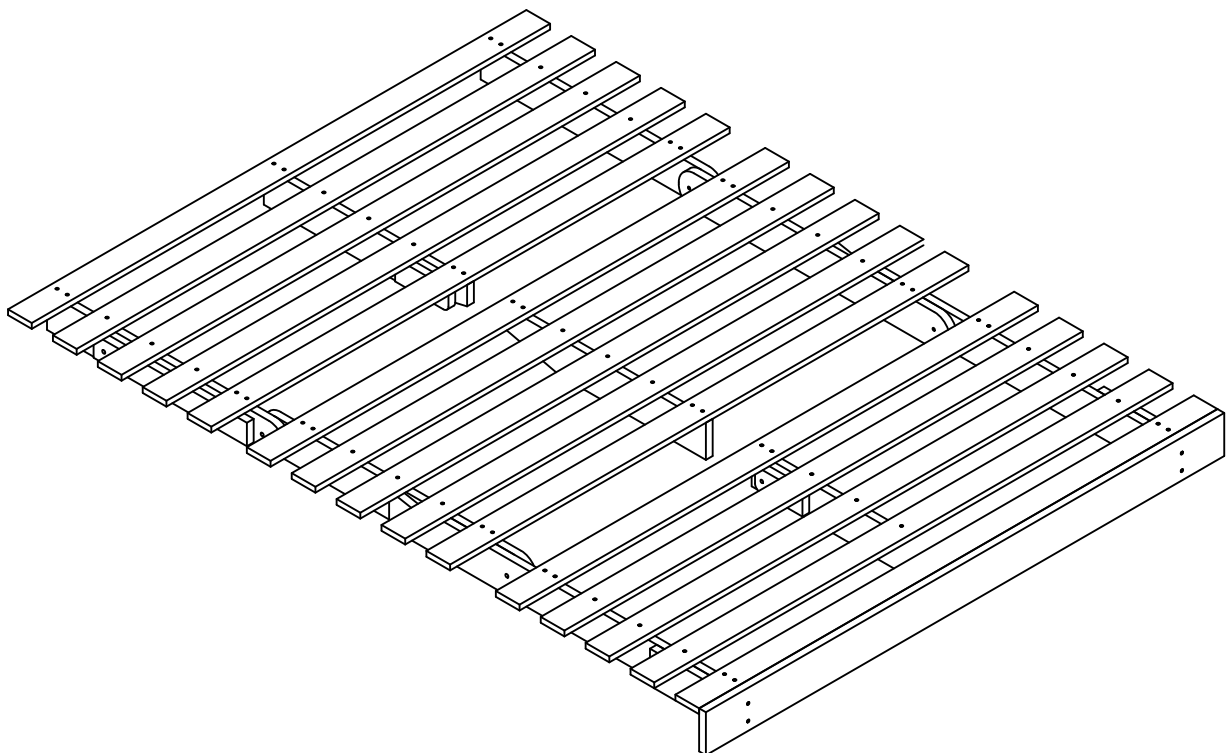
No. B
Quantity. 4Set
Screw M8x40mm



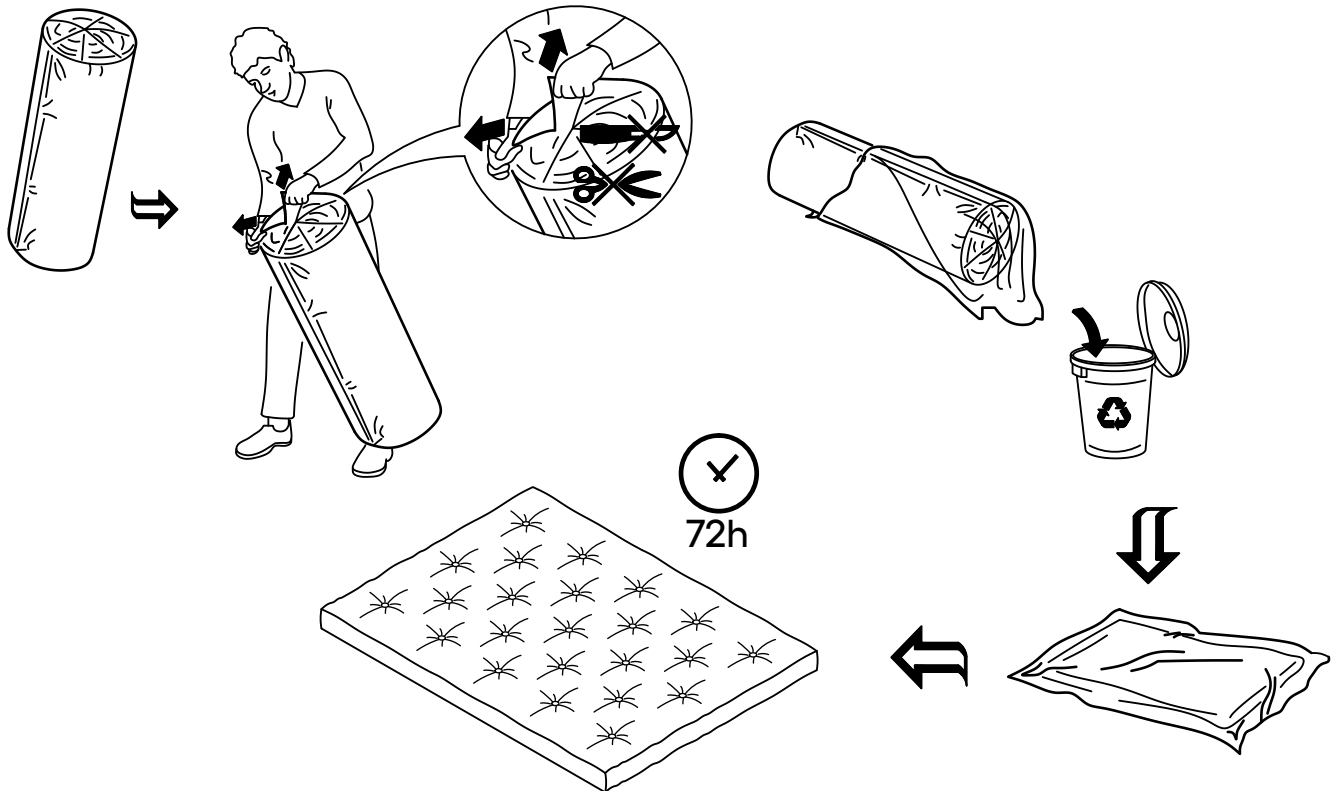
No. C
Quantity. 2Pcs
Allen Key N5



STEP 4

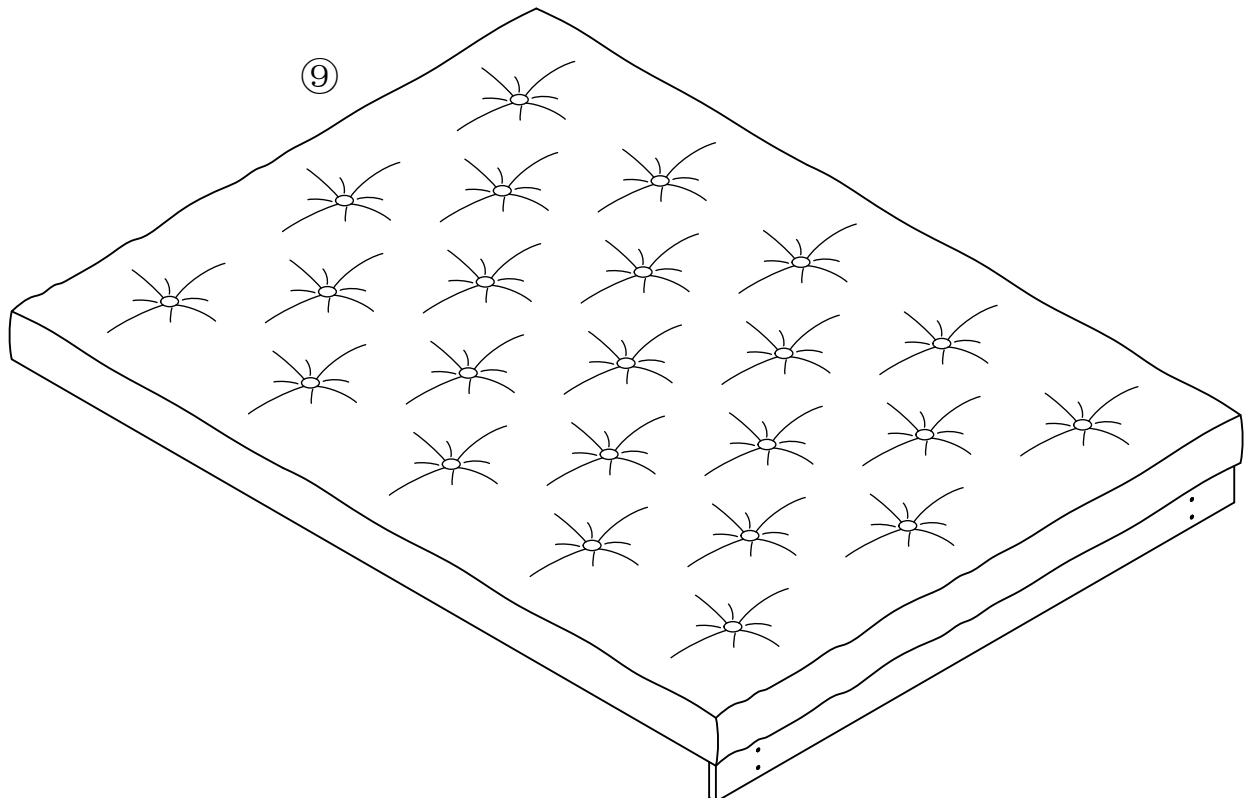


STEP 5 : Unboxing the mattress from Carton 2.

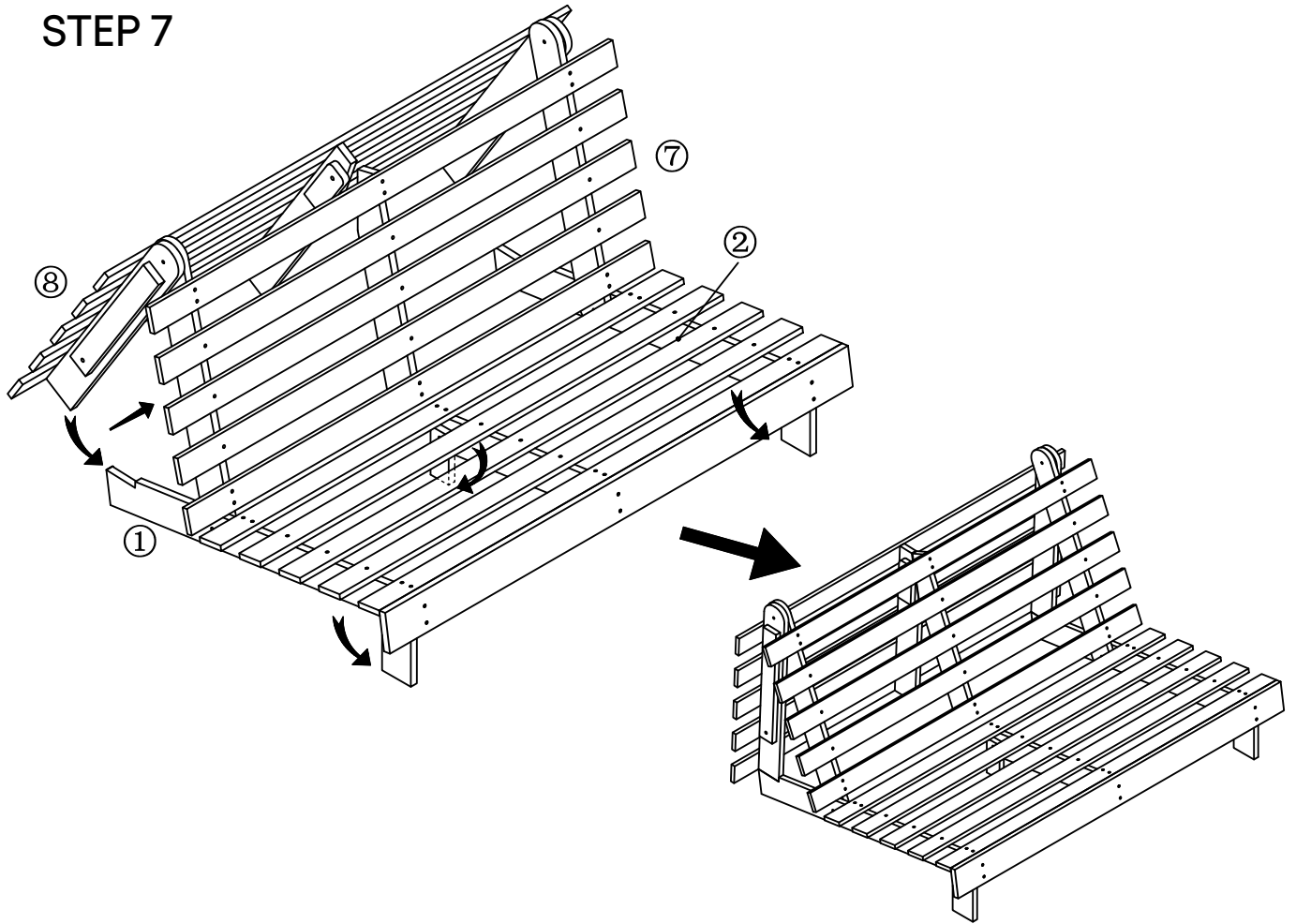


ⓘ After unboxing, the mattress will naturally regain their shape. We recommend allowing 72 hours for complete inflation. Additionally, if you notice any wrinkles, you can easily smooth them out by hand.

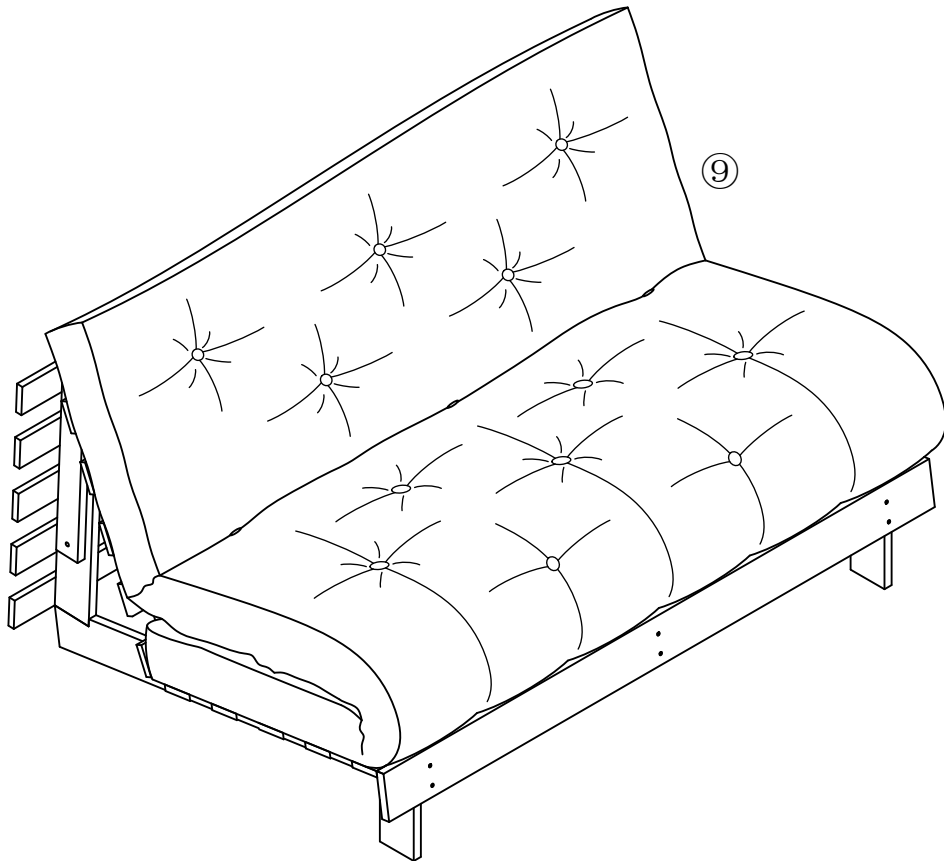
STEP 6



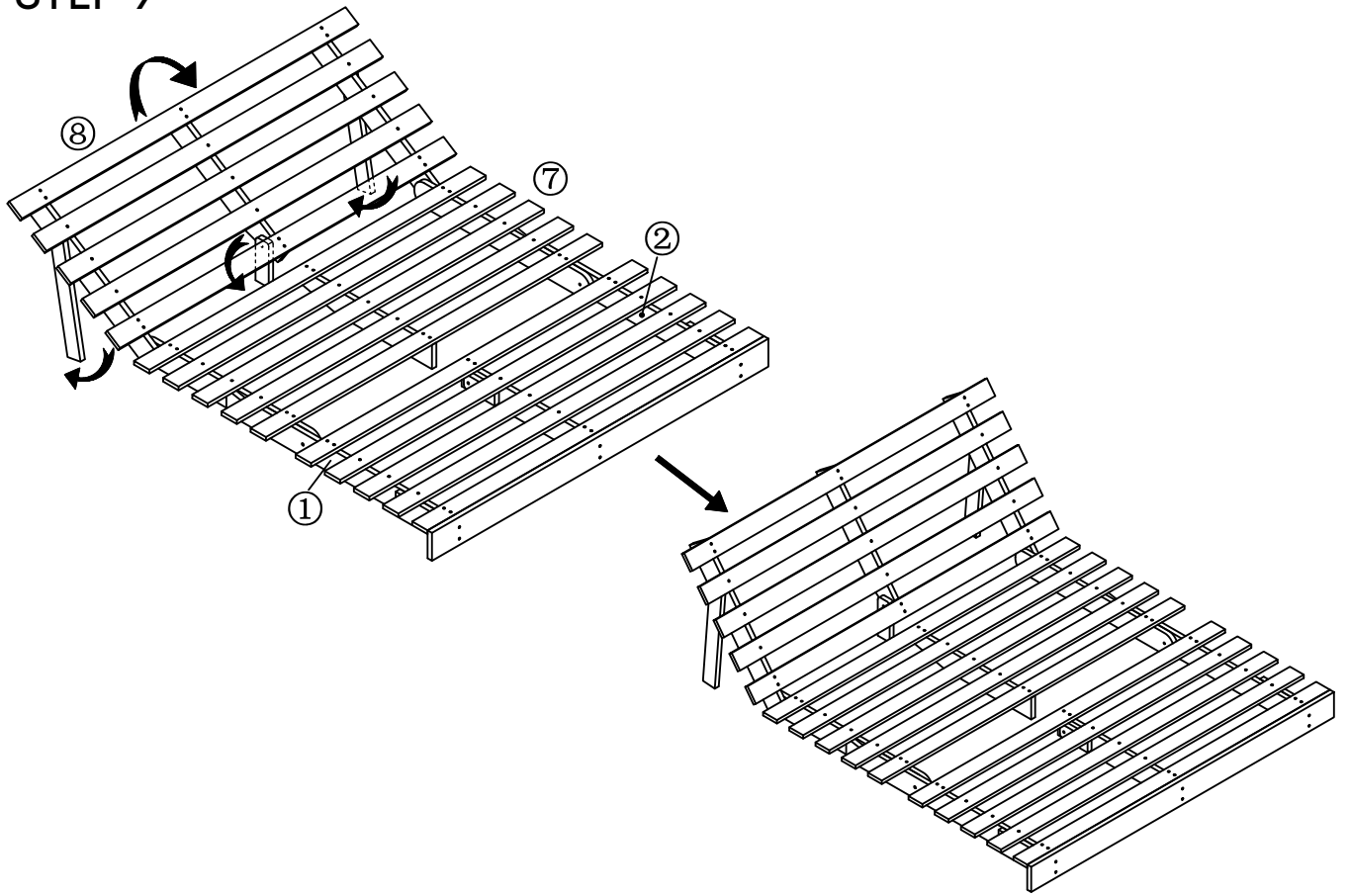
STEP 7



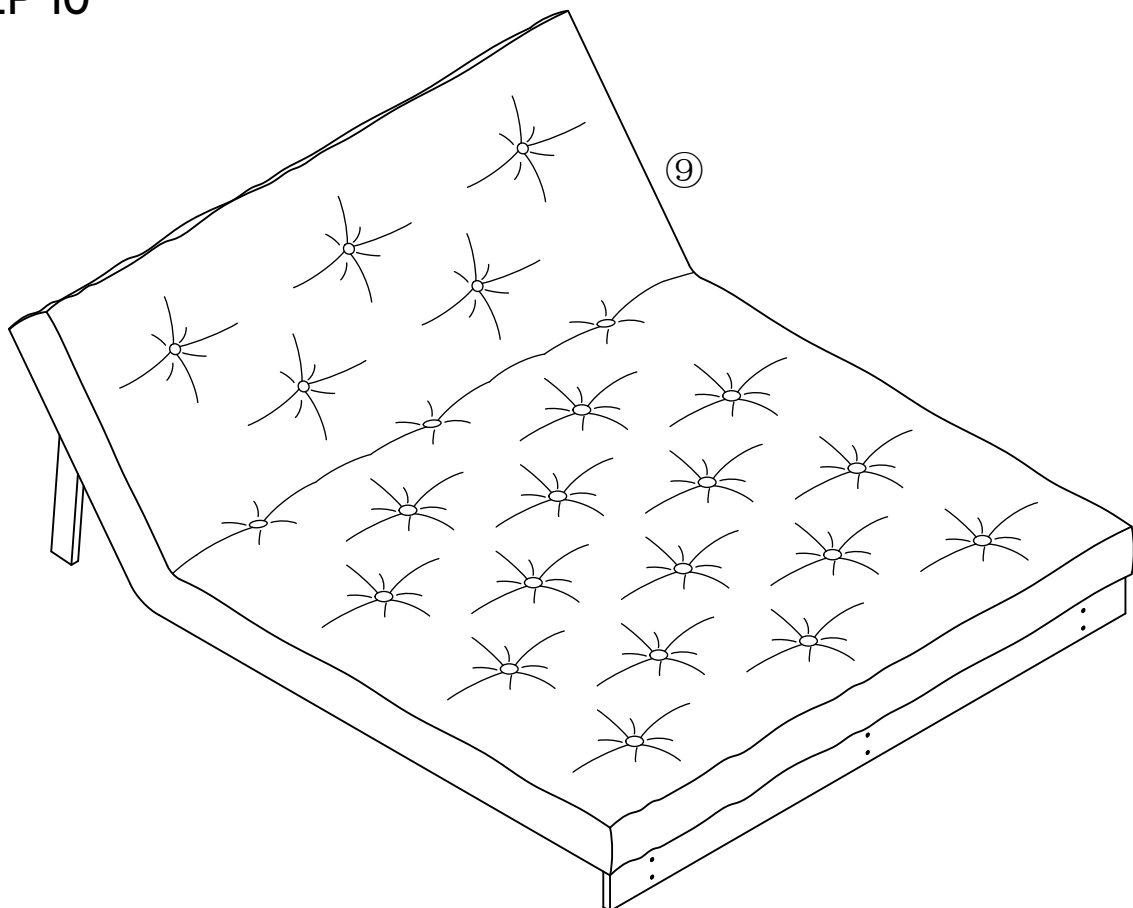
STEP 8



STEP 9



STEP 10



lifely.com.au

Great job. You're done!

Don't forget to share how it looks in
your space and tag us on Instagram.
[@lifelyhome](https://www.instagram.com/lifelyhome) [#homewithlifely!](https://www.instagram.com/hashtag/homewithlifely)