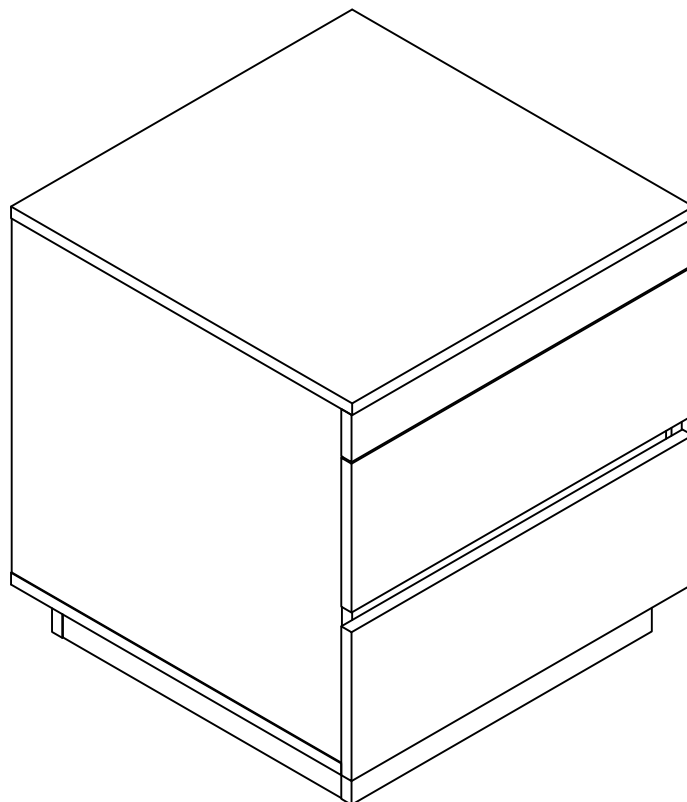


# Assembly Instructions

## Cuppa Series



# Lifely\*

### Product Code

CPA-V3-BT603-WOK Cuppa Bedside Table

### Dimensions(W x D x H)

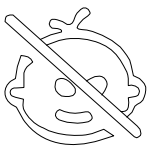
500\*500\*540mm

---

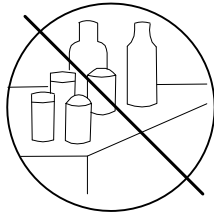
### Important

Please read through instruction carefully  
Before assembly and keep for future reference.  
For our full catalogue of assembly instructions,  
Visit: [lifely.com.au/assembly](http://lifely.com.au/assembly).

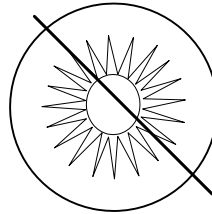
## Important Tips and Maintenance



1. Keep children and animals away from working area as smaller parts may cause choking if swallowed.



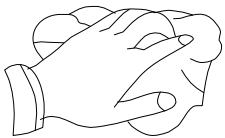
2. Never place liquids or anything damp upon furniture as it will mark. Ensure a coaster or running is beneath.



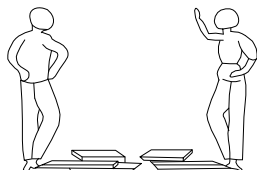
3. To avoid fading, keep furniture out of direct sunlight.



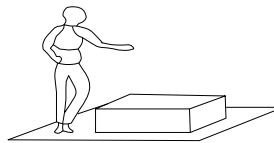
4. Never use ammonia based cleaning products as it will damage the finish.



5. Use a soft or dry cloth when wiping or cleaning surfaces.



6. Two person are required.



7. Lay a soft matt down to protect the furniture piece before and during assembly.

So your relationship is strong. But is it flat-pack furniture strong? Unless you're an aerospace engineer, assembling furniture can be slightly stressful. We recommend meditating quietly, pouring yourself a herbal tea (or slightly less herbal wine) and tackling things one step at a time. If you feel a passive aggressive remark coming on, try a compliment instead. E.g. "You're so good looking."

This 9-step assembly should take around 30 minutes with an Allen key-or 18 minutes with an electric drill.

Designed for everyday

## Component Hardware

Please check you have all the fittings  
part or tools are listed in below.

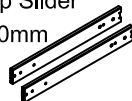
No. A  
Quantity:32 Pcs  
Cam  
Ø15\*12mm



No. B  
Quantity:32 Pcs  
Cam Lock Dowel  
Ø7\*25



No. C  
Quantity:2 Sets  
3 Step Slider  
L=250mm



No. D  
Quantity:8 Pcs  
Screw  
Ø4\*35mm



No. E  
Quantity:16 Pcs  
Wooden Dowel  
Ø8\*30mm



No. F  
Quantity:26 Pcs  
Screw  
Ø3.5\*14mm



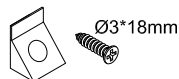
No. G  
Quantity:32 Pcs  
Cover  
Ø20mm



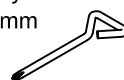
No. H  
Quantity:8 Pcs  
EVA Pad  
Ø15mm



No. I  
Quantity:6 Pcs



No. J  
Quantity:1 Pc  
Key  
5mm



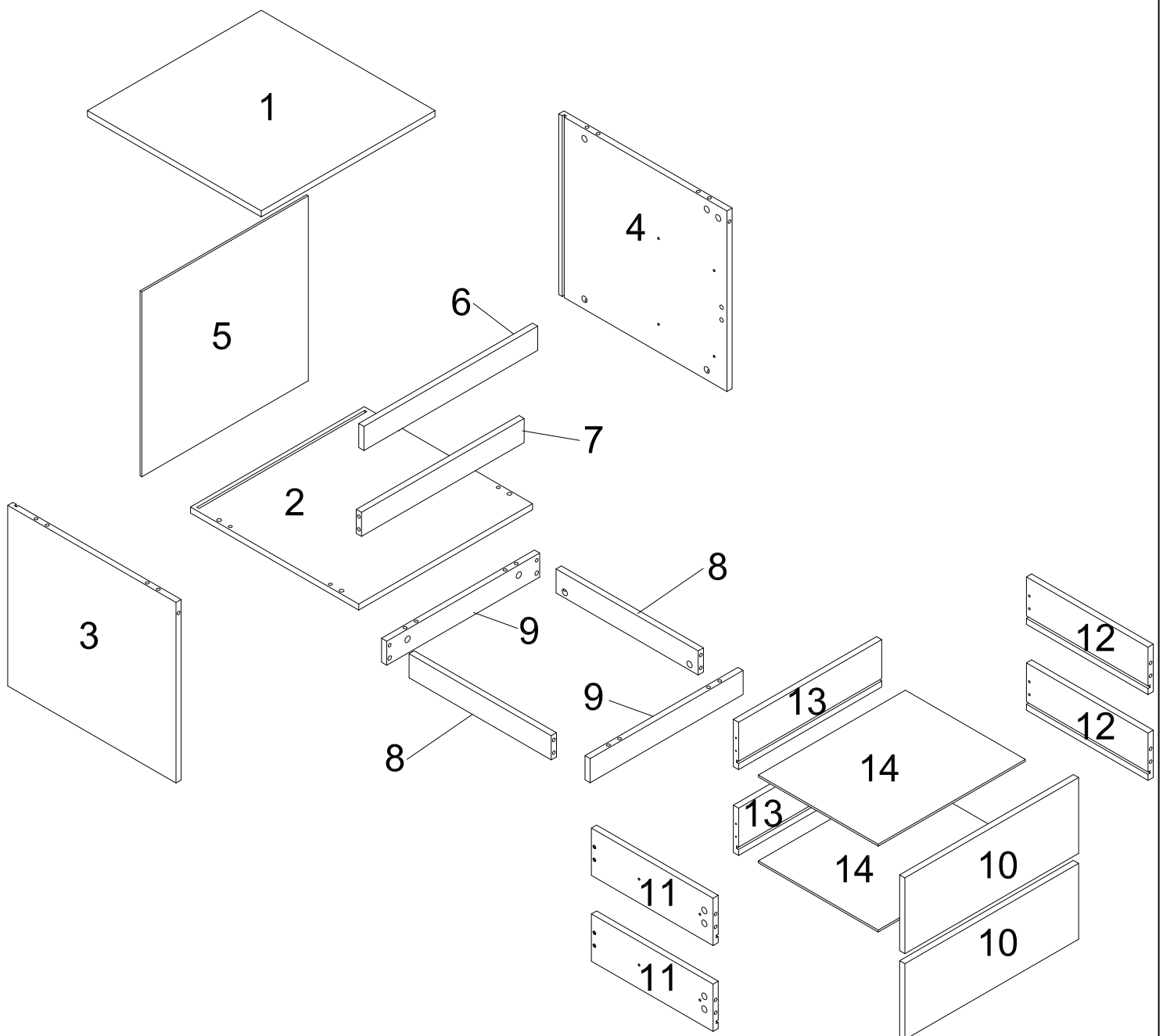
No. K  
Quantity:1 Pair  
Gloves



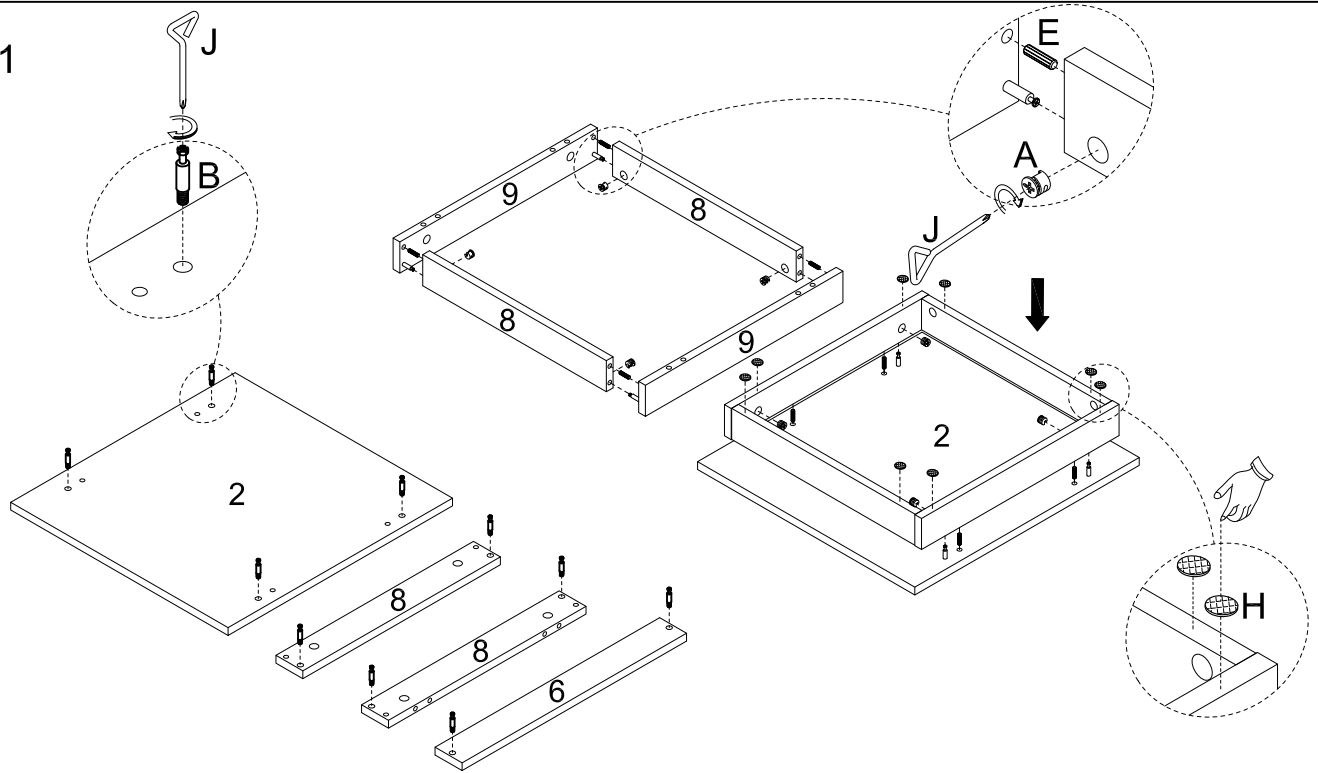
# Component Panels & part List

Please check you have all the panels are listed below.

- |                            |                                  |
|----------------------------|----------------------------------|
| 1. Top Panel-----x1        | 8. Side Foot Board-----x2        |
| 2. Bottom-----x1           | 9. Foot Board-----x2             |
| 3. Side Panel-Left-----x1  | 10. Drawer Panel-----x2          |
| 4. Side Panel-Right-----x1 | 11. Drawer Side Panel-Left----x2 |
| 5. Back-----x1             | 12. Drawer Side Panel-Right---x2 |
| 6. Top Support-----x1      | 13. Drawer Back Panel-----x2     |
| 7. Front Support-----x1    | 14. Drawer Bottom-----x2         |



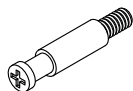
# STEP 1



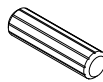
No. A  
Quantity:8 Pcs



No. B  
Quantity:10 Pcs



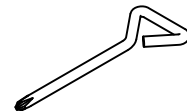
No. E  
Quantity:8 Pcs



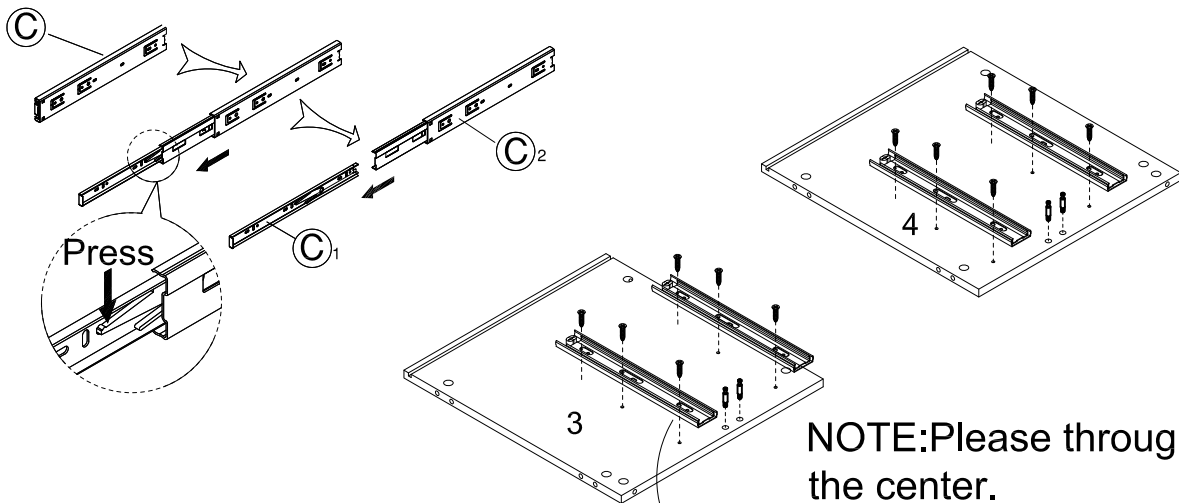
No. H  
Quantity:8 Pcs



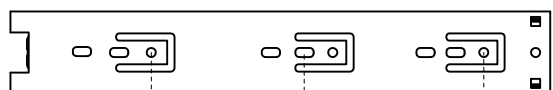
No. J  
Quantity:1 Pc



# STEP 2



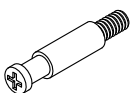
NOTE:Please through the hole in the center.



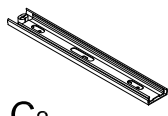
Last Third Hole

Second Hole

No. B  
Quantity:4 Pcs



No. C  
Quantity:4 Pcs

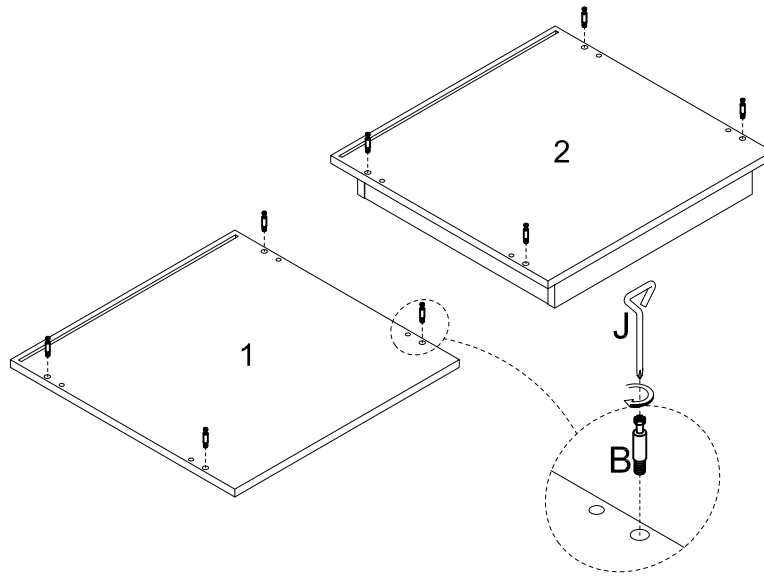


C<sub>2</sub>

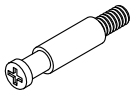
No. F  
Quantity:12 Pcs



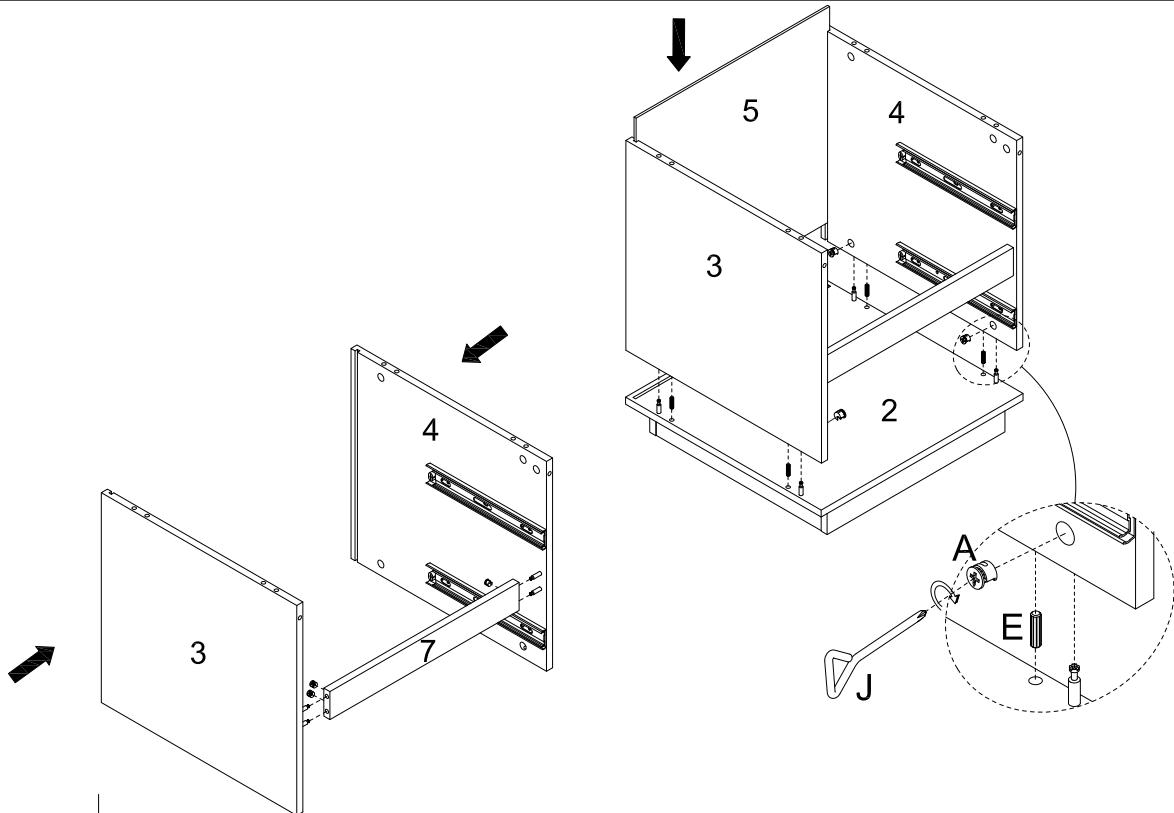
### STEP 3



No. B  
Quantity:8 Pcs



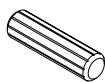
### STEP 4



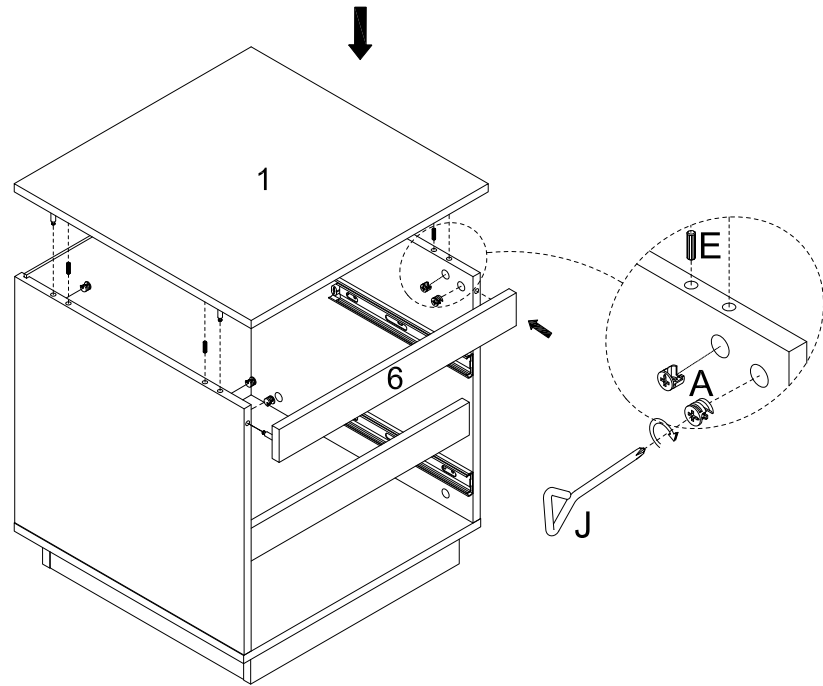
No. A  
Quantity:8 Pcs



No. E  
Quantity:4 Pcs

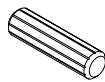


# STEP 5

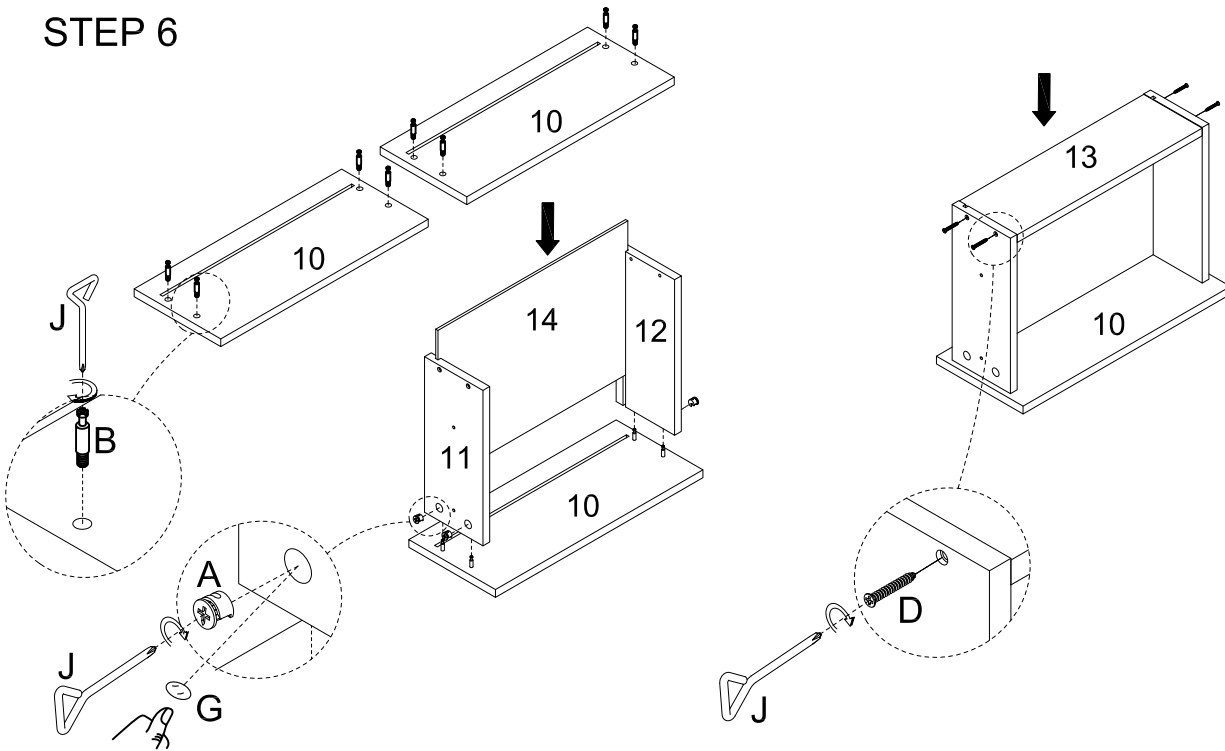


No. A  
Quantity:6 Pcs

No. E  
Quantity:4 Pcs



# STEP 6

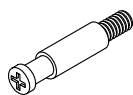


No. A  
Quantity:8 Pcs

No. B  
Quantity:8 Pcs

No. D  
Quantity:8 Pcs

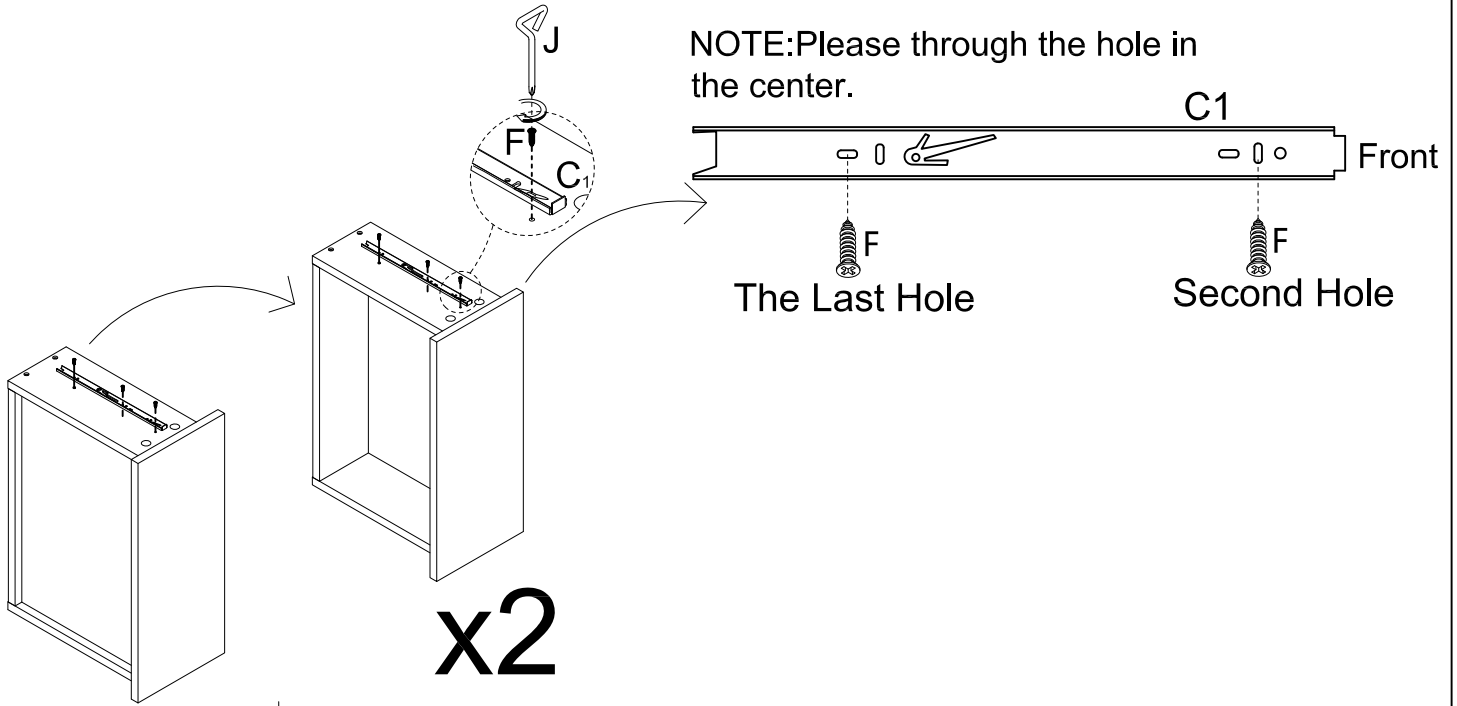
No. G  
Quantity:30 Pcs





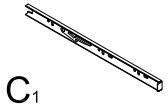
STEP 7

All drawers in the same way for installing drawer box.

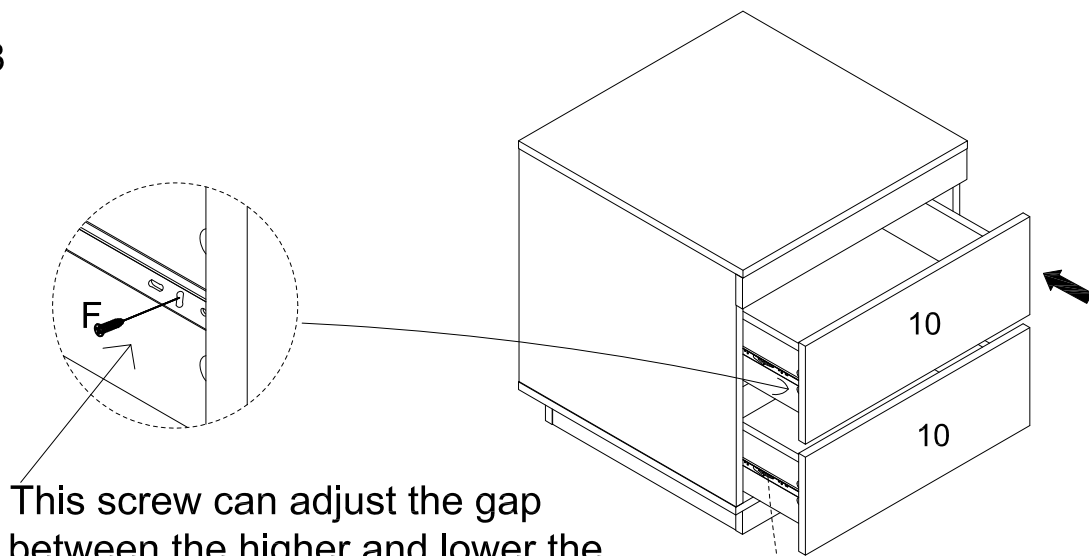


No. C  
Quantity: 4 Pcs

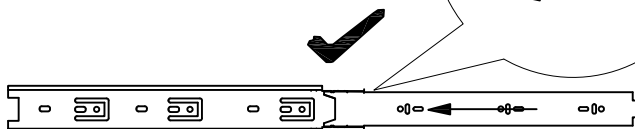
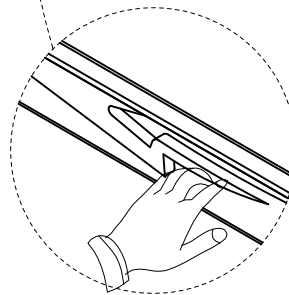
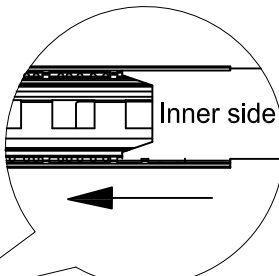
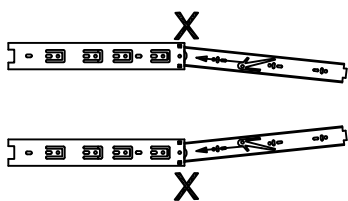
No. F  
Quantity: 12 Pcs



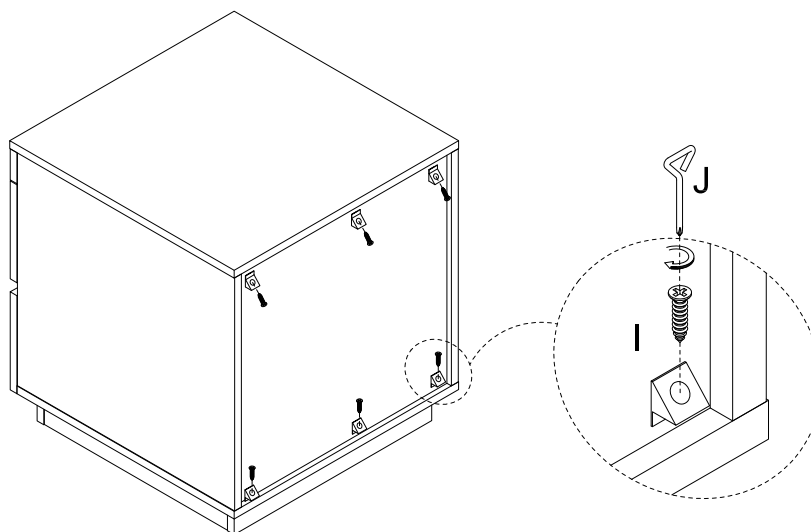
STEP 8



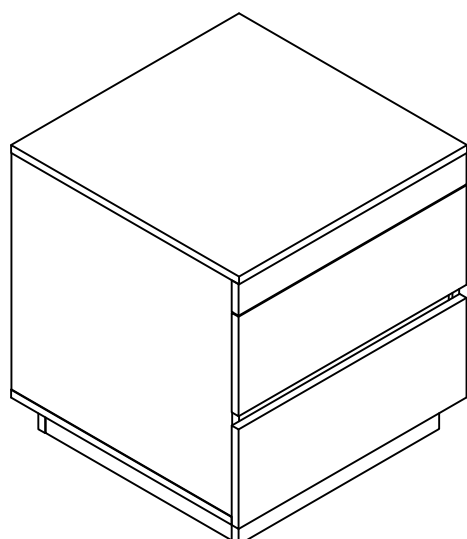
This screw can adjust the gap between the higher and lower, the position of screw remains the same, just loosen the slide rail up and down.



# STEP 9



No. 1  
Quantity: 6 Pcs



lifely.com.au

Great job. You're done!

Don't forget to share how it looks in  
your space and tag us on Instagram.

@lifelyhome #homewithlifely!