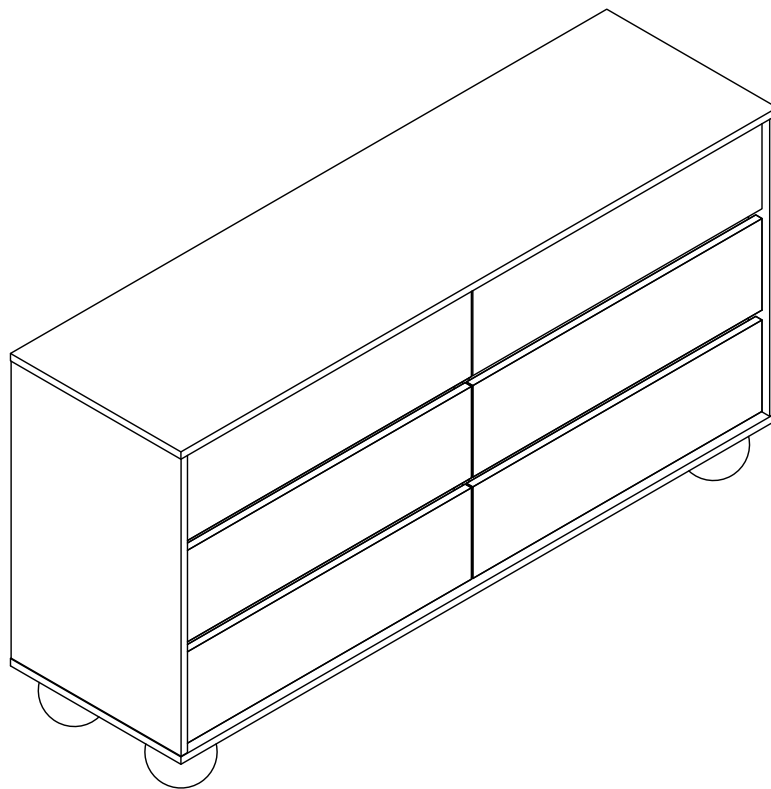


Assembly Instructions

Ballico Series



Lifely*

Product Code

BLC-6COD-OAK Ballico 6 Chest of Drawers

BLC-6COD-WNT Ballico 6 Chest of Drawers

Dimensions(W x D x H)

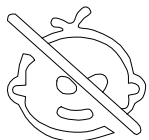
1400x400x750mm

Important

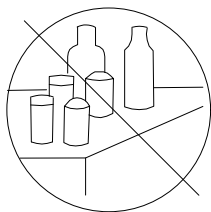
Please read through instruction carefully
Before assembly and keep for future reference.

For our full catalogue of assembly instructions,
Visit: lifely.com.au/assembly.

Important Tips and Maintenance



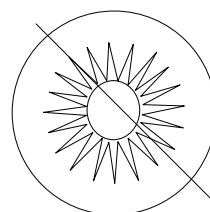
1. Keep children and animals away from working area as smaller parts may cause choking if swallowed.



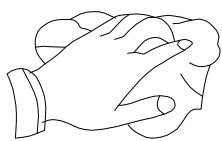
2. Never place liquids or anything damp upon furniture as it will mark. Ensure a coaster or running is beneath.



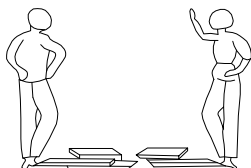
3. Never use ammonia based cleaning products as it will damage the finish.



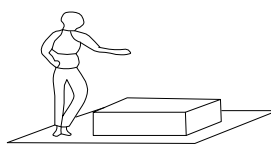
4. To avoid fading, keep furniture out of direct sunlight.



5. Use a soft cloth(dry cloth)when wiping or cleaning surfaces.



6. Two person are required.



7. Lay a soft matt down to protect the furniture piece before and during assembly.

So your relationship is strong. But is it flat-pack furniture strong? Unless you're an aerospace engineer, assembling furniture can be slightly stressful. We recommend meditating quietly, pouring yourself a herbal tea (or slightly less herbal wine) and tackling things one step at a time. If you feel a passive aggressive remark coming on, try a compliment instead. E.g. "You're so good looking"

This 14-step assembly should take around 70 minutes with an Allen Key - or 50 minutes with an electric drill. Godspeed.

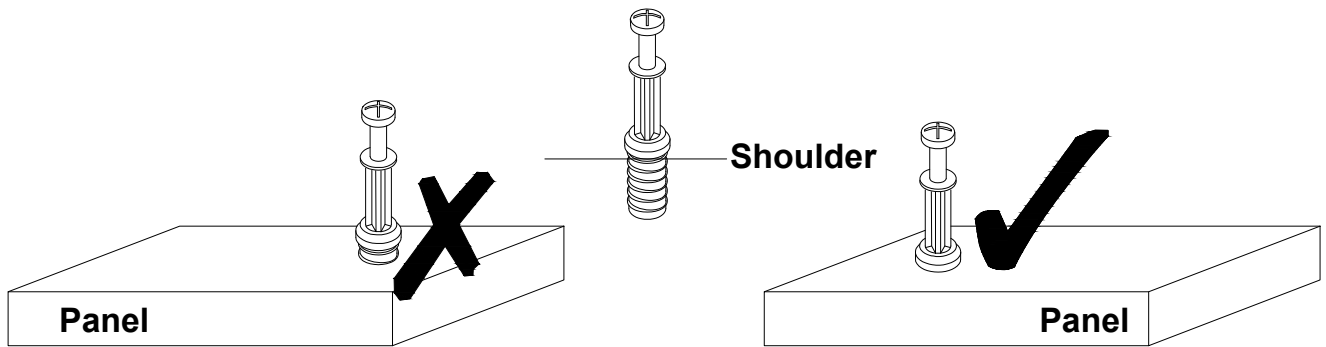
Designed for everyday

Before Assembly

Tips Before Your Start:

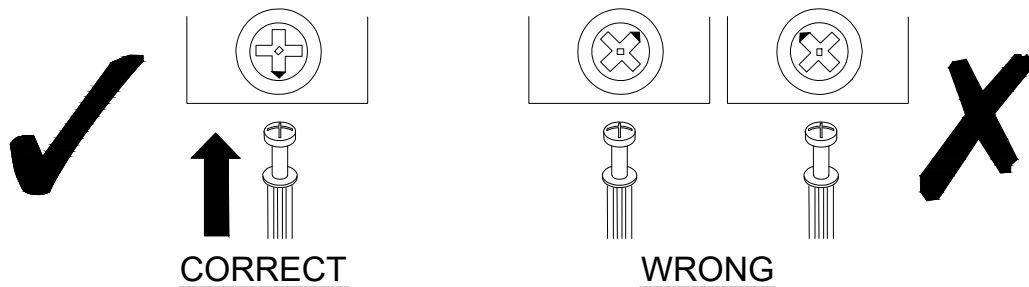
- Remove all wrapping material, including staples & packing straps before you start to assemble.
- DO NOT tighten all screws and bolts until completely assembled.
- Keep all hardware parts out of reach of children.

QUICKFIT



Tighten quickfit until shoulder is flush with panel. Do not overtighten or undertighten.

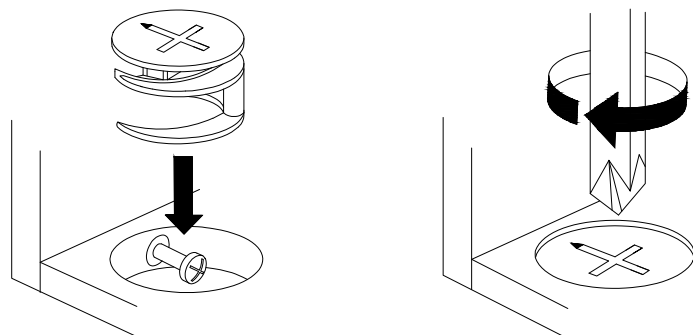
CAM LOCK



When fitting cam lock, ensure starting position is correct before you insert connecting quickfit.

Quickfit head should be in the centre of the cam lock when the two panels are joined.

Cam lock should be inserted before quickfit.

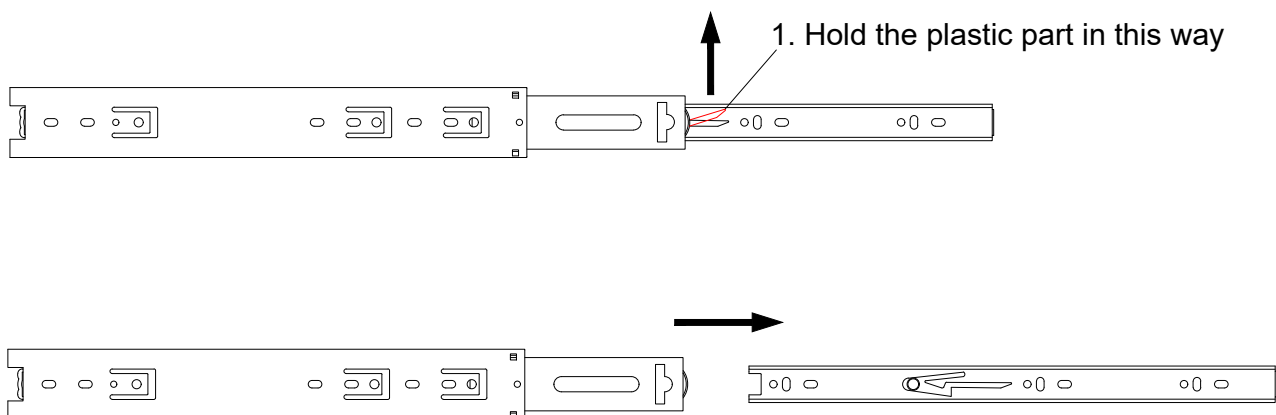


Turn cam lock clockwise to tighten.

Before Assembly

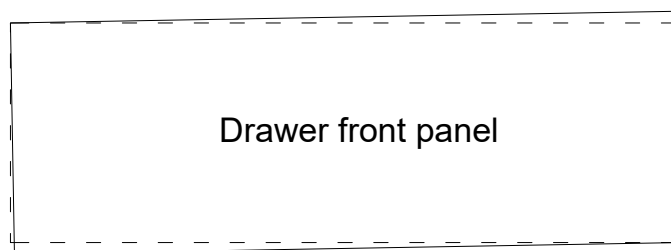
Tips Before Your Start

How to separate the drawer slider:

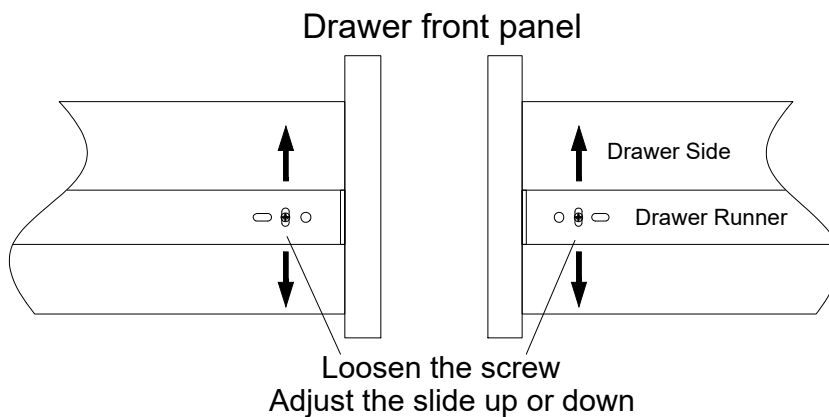


2. Pull out the inner slider for drawer box fixing

Drawer Front Alignment



If the drawer front panel is NOT level after being assembled, then...



Hardware is in box 1

Please check you have all the fittings part or tools are listed in below.

No. A

Quantity:68Pcs
Cam Lock Dowel
8*28mm



No. B

Quantity:24Pcs
Dowel
8*30mm



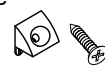
No. C

Quantity:68Pcs
Cam
φ15



No. D

Quantity:8 Pcs
Plastic Wedge
3.5*15mm



No. E

Quantity:36 Pcs
Screw
4*35mm



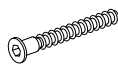
No. F

Quantity:4 Pcs
Screw
4*25mm



No. G

Quantity:10Pcs
Screw
M6*50



No. H

Quantity:1 Pc
Allen Key
4#



No. I

Quantity:4 Pcs
Foot Pad
φ25



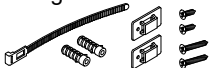
No. J

Quantity:68 Pcs
Sticker



No. K

Quantity:2Sets
Anti-falling Parts



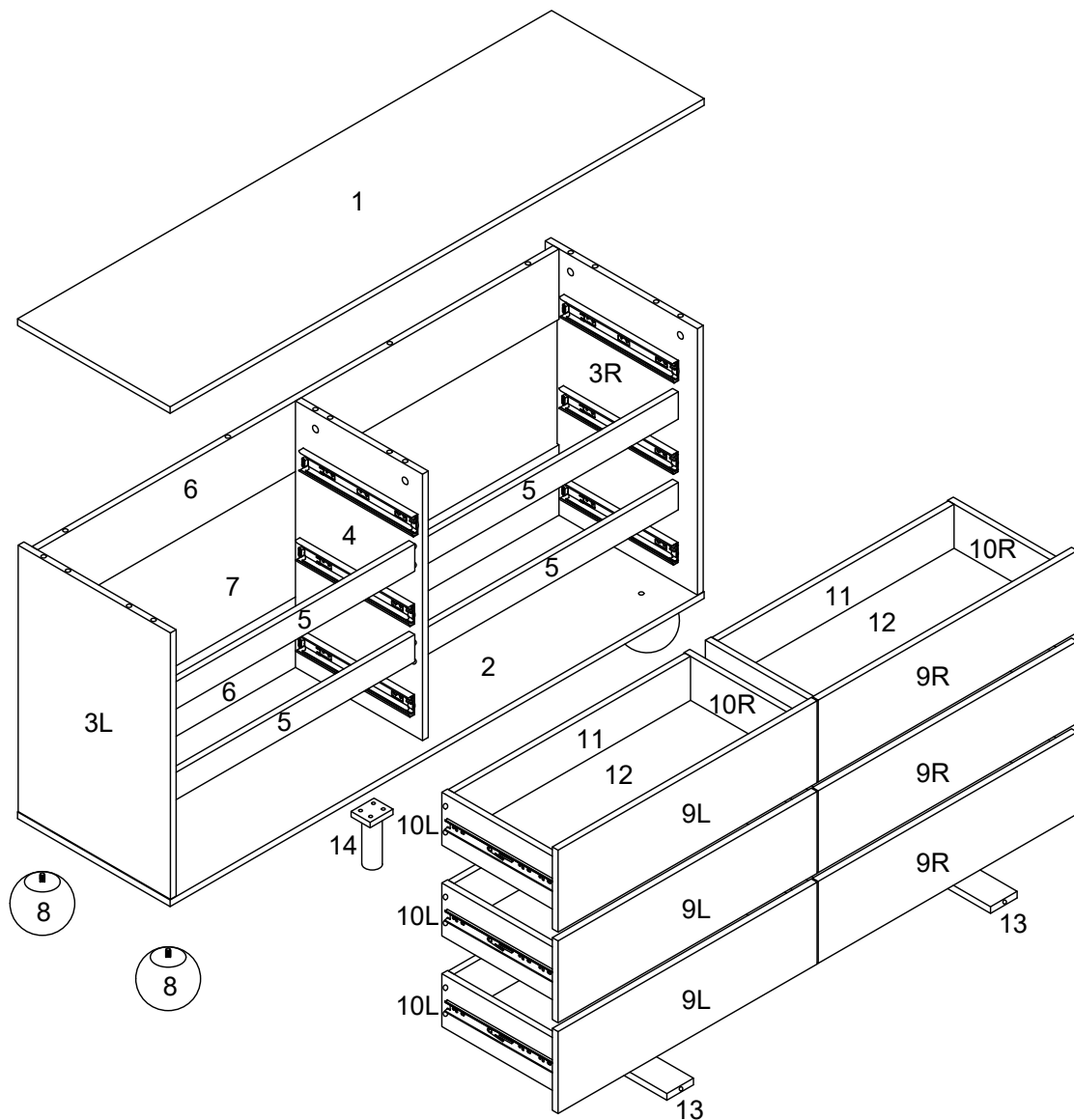
Quantity:1Pc
Power Driver



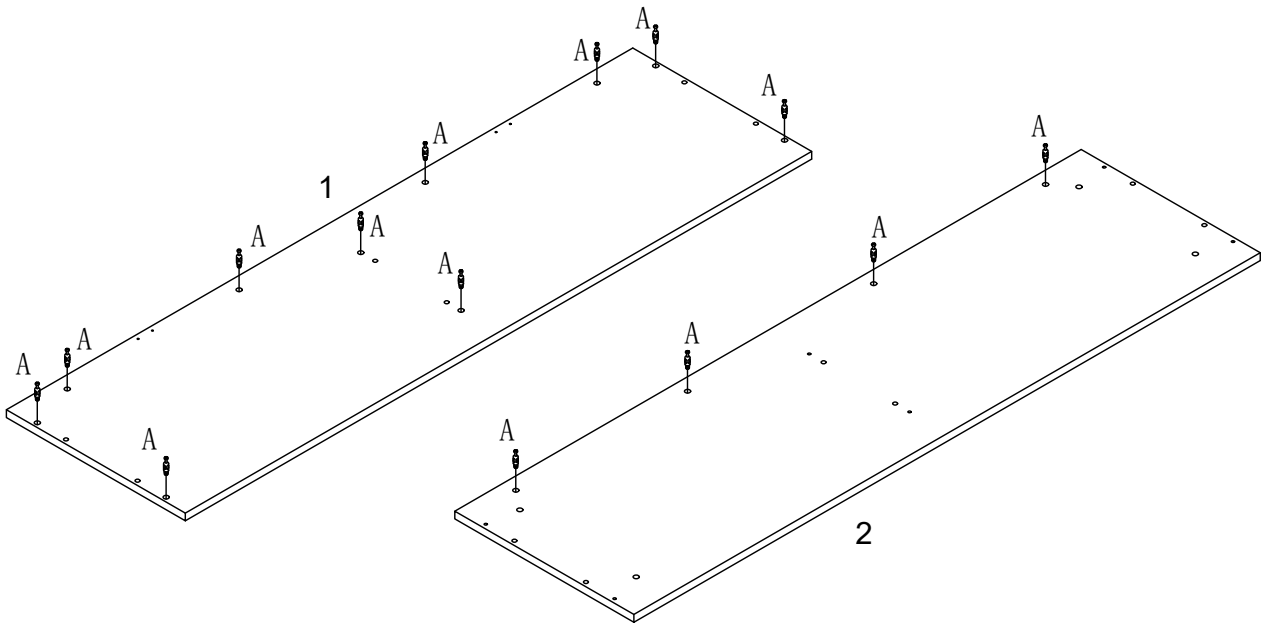
Component Panels & part List

Please check you have all the panels are listed below.

- | | | | |
|------------------------|------------|-------------------------|--------------------|
| 1. TOP PANEL | x1 CTN 1/3 | 9L. LEFT DOOR PANEL | x3 CTN 2/3=1 1/3=2 |
| 2. BOTTOM PANEL | x1 CTN 2/3 | 9R. RIGHT DOOR PANEL | x3 CTN 2/3=1 1/3=2 |
| 3L. SIDE PANEL-LEFT | x1 CTN 1/3 | 10L. DRAWER SIDE_LEFT | x6 CTN 2/3=1 1/3=5 |
| 3R. SIDE PANEL-RIGHT | x1 CTN 1/3 | 10R. DRAWER SIDE_RIGHT | x6 CTN 2/3=1 1/3=5 |
| 4. CENTRE PANEL_MIDDLE | x1 CTN 2/3 | 11. DRAWER BACK PANEL | x6 CTN 2/3 |
| 5. SHIRT PANEL | x4 CTN 1/3 | 12. DRAWER BOTTOM PANEL | x6 CTN 2/3 |
| 6. BACK PANEL | x2 CTN 1/3 | 13. DRAWER BRACE | x6 CTN 2/3 |
| 7. BACK PANEL | x1 CTN 2/3 | 14. MIDDLE LEG | x1 CTN 3/3 |
| 8. LEG | x4 CTN 3/3 | POWER DRIVER | x1 CTN 1/3 |



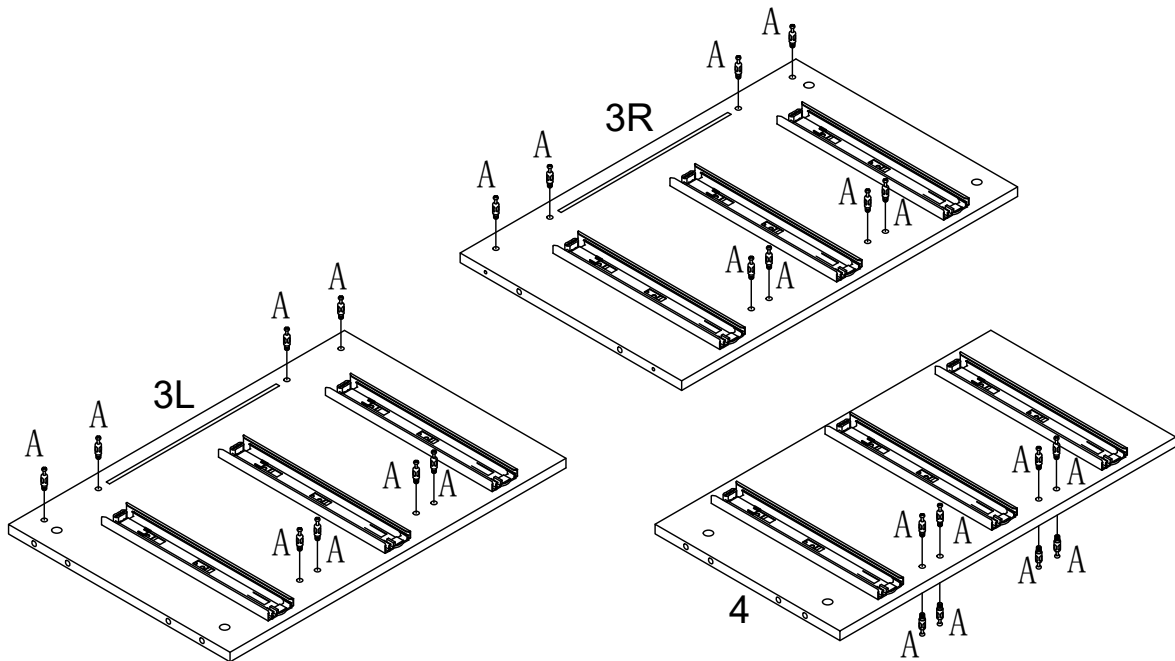
STEP 1



No. A
Quantity: 14Pcs
Cam Lock Dowel
8*28mm



STEP 2

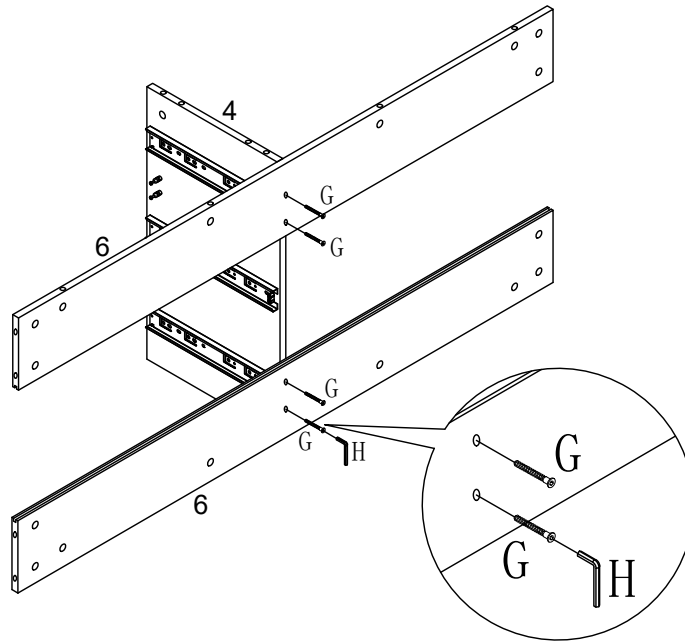


No. A
Quantity: 24Pcs
Cam Lock Dowel
8*28mm

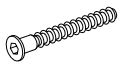


BLC-6COD-OAK
BLC-6COD-WNT 8

STEP 3



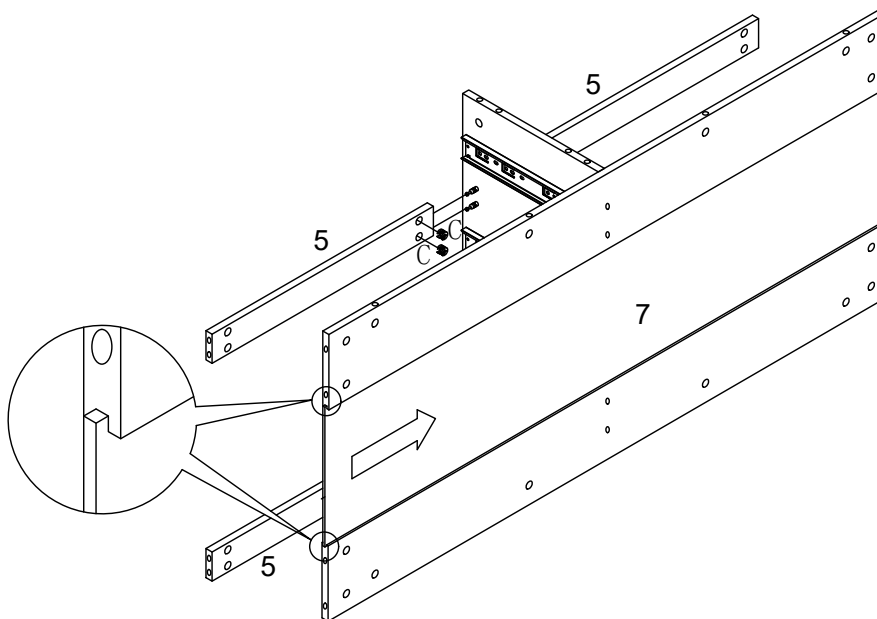
No. G
Quantity: 4Pcs
Screw
M6*50



No. H
Quantity: 1 Pc
Allen Key
4#



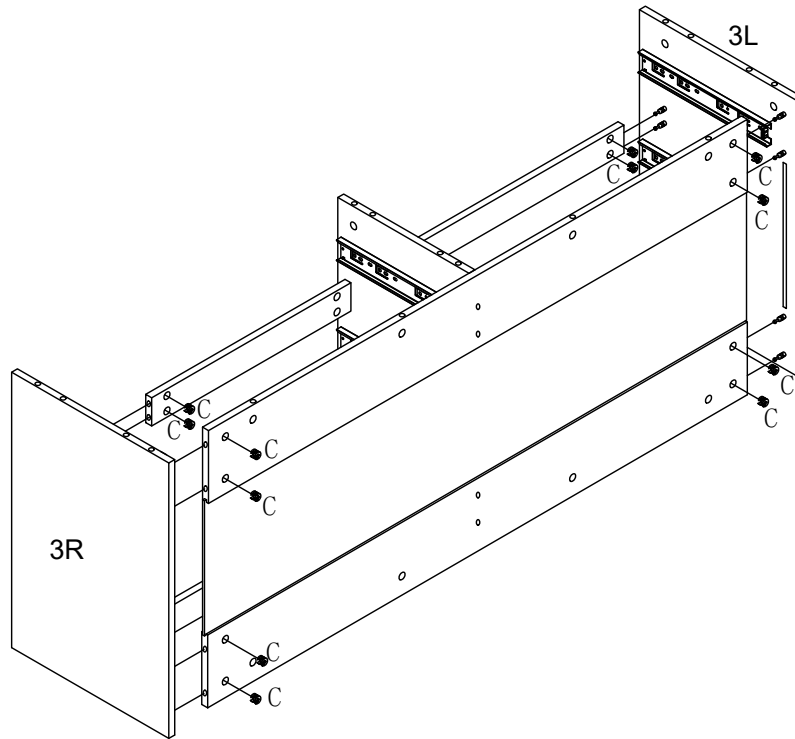
STEP 4



No. C
Quantity: 8Pcs
Cam
 $\phi 15$



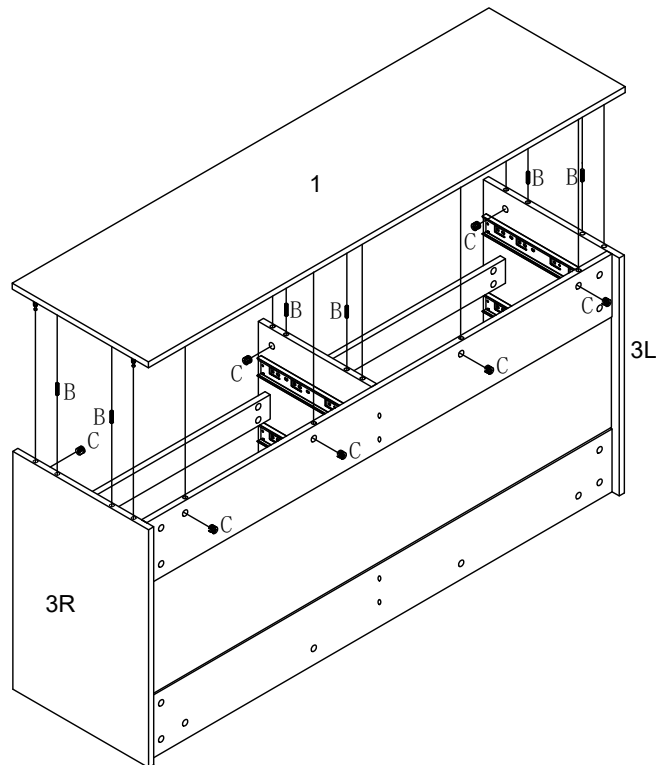
STEP 5



No. C
Quantity: 16Pcs
Cam
 $\phi 15$



STEP 6



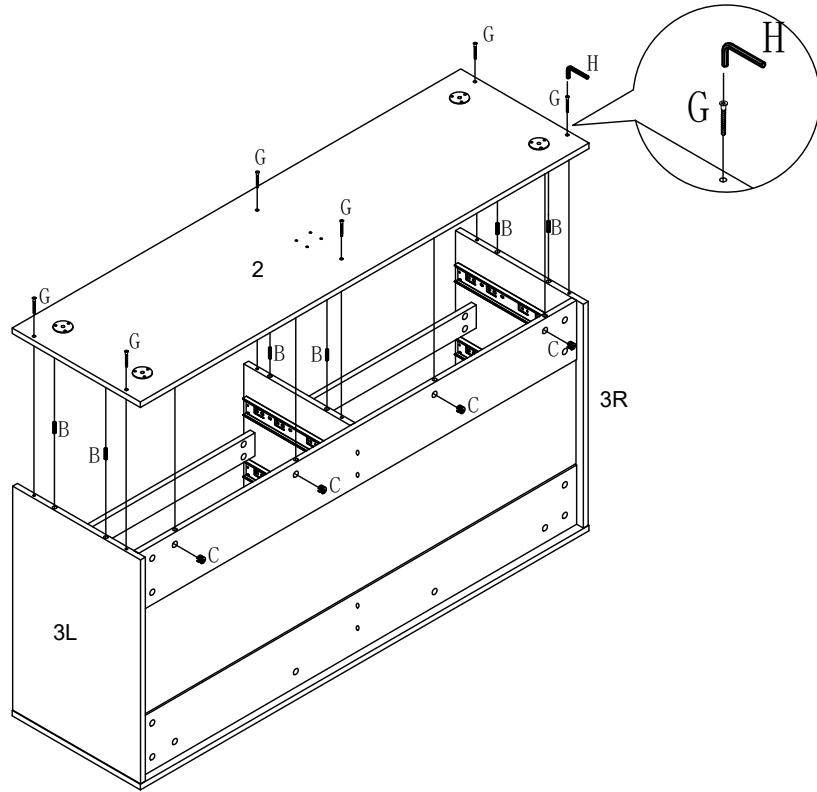
No. B
Quantity: 6Pcs
Dowel
8*30mm



No. C
Quantity: 10Pcs
Cam
 $\phi 15$



STEP 7



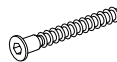
No. B
Quantity: 6Pcs
Dowel
8*30mm



No. C
Quantity: 4Pcs
Cam
φ15



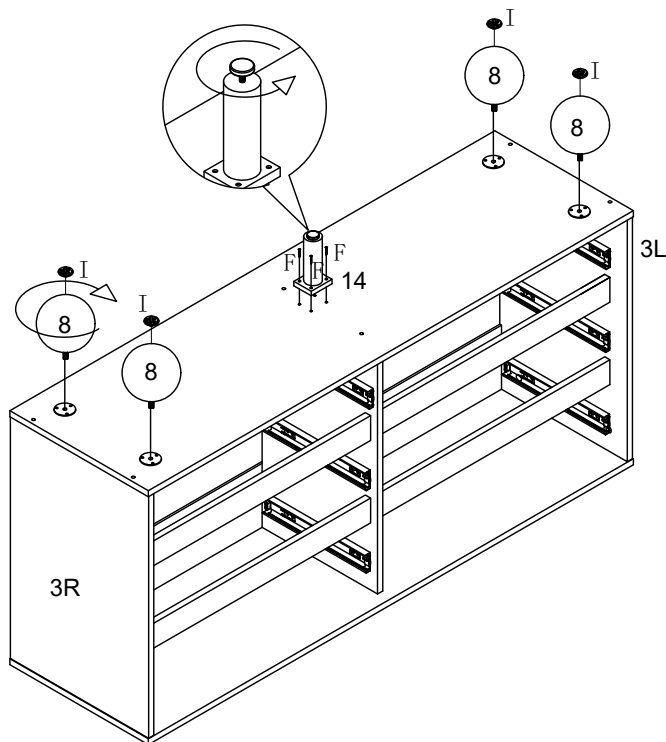
No. G
Quantity: 6Pcs
Screw
M6*50



No. H
Quantity: 1 Pc
Allen Key
4#



STEP 8



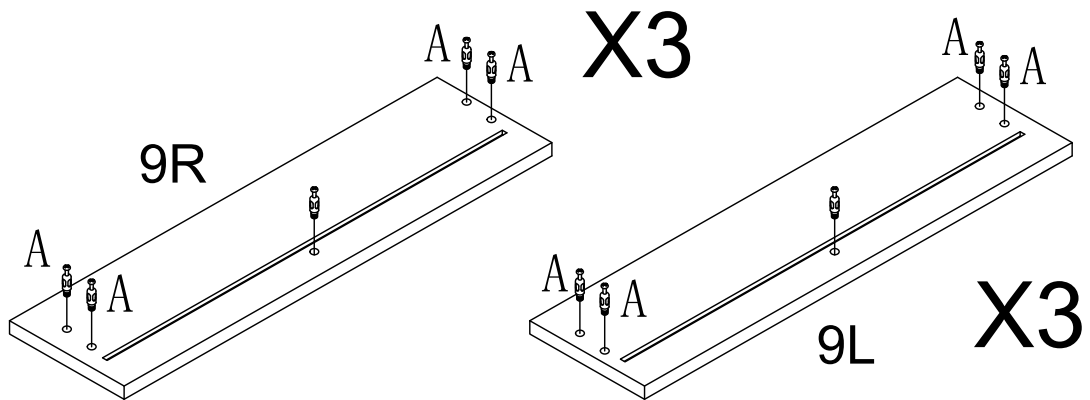
No. F
Quantity: 4 Pcs
Screw
4*25mm



No. I
Quantity: 4 Pcs
Foot Pad
φ25



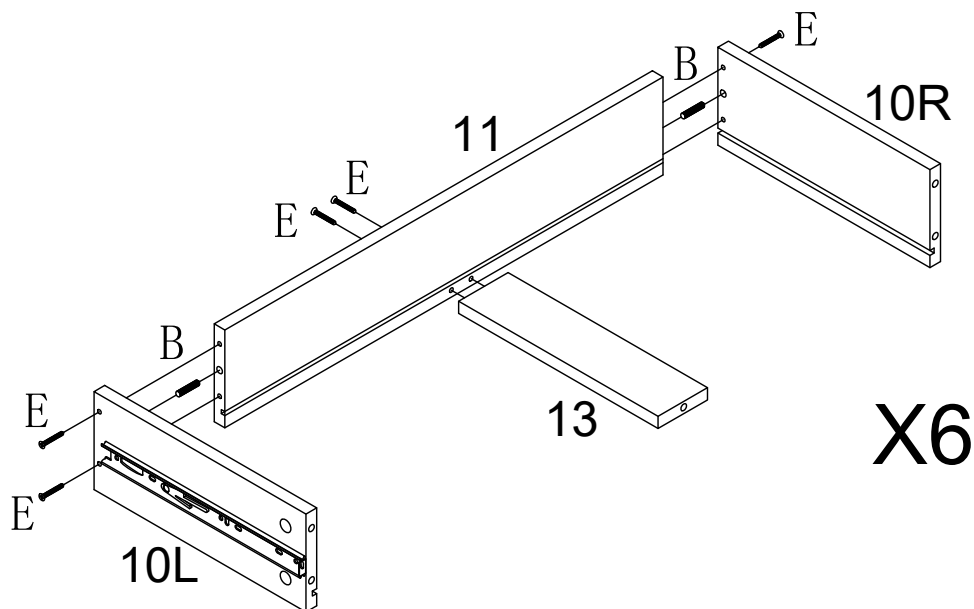
STEP 9



No. A
Quantity:30Pcs
Cam Lock Dowel
8*28mm



STEP 10



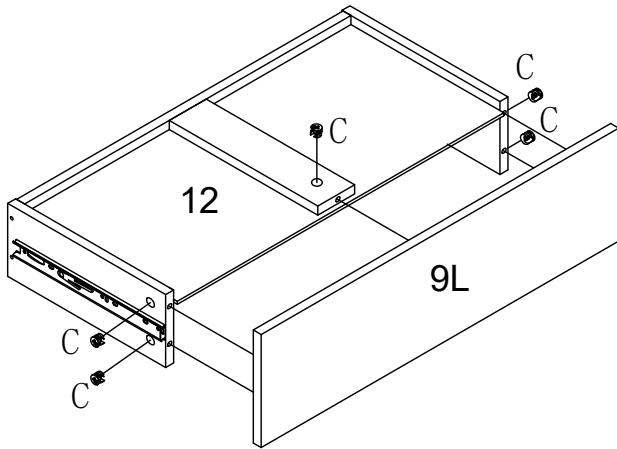
No. E
Quantity:36 Pcs
Screw
4*35mm



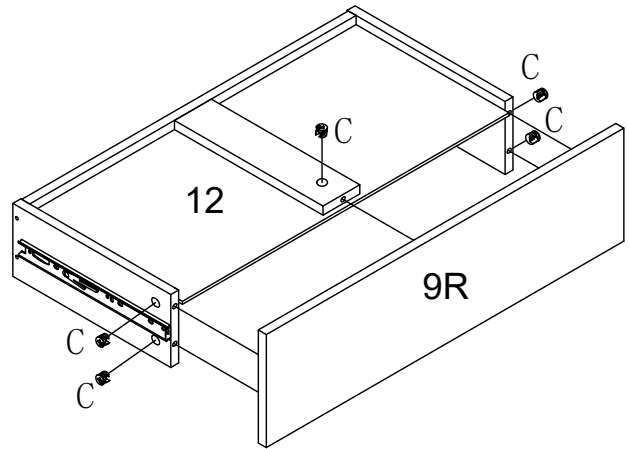
No. B
Quantity:12Pcs
Dowel
8*30mm



STEP 11



X3

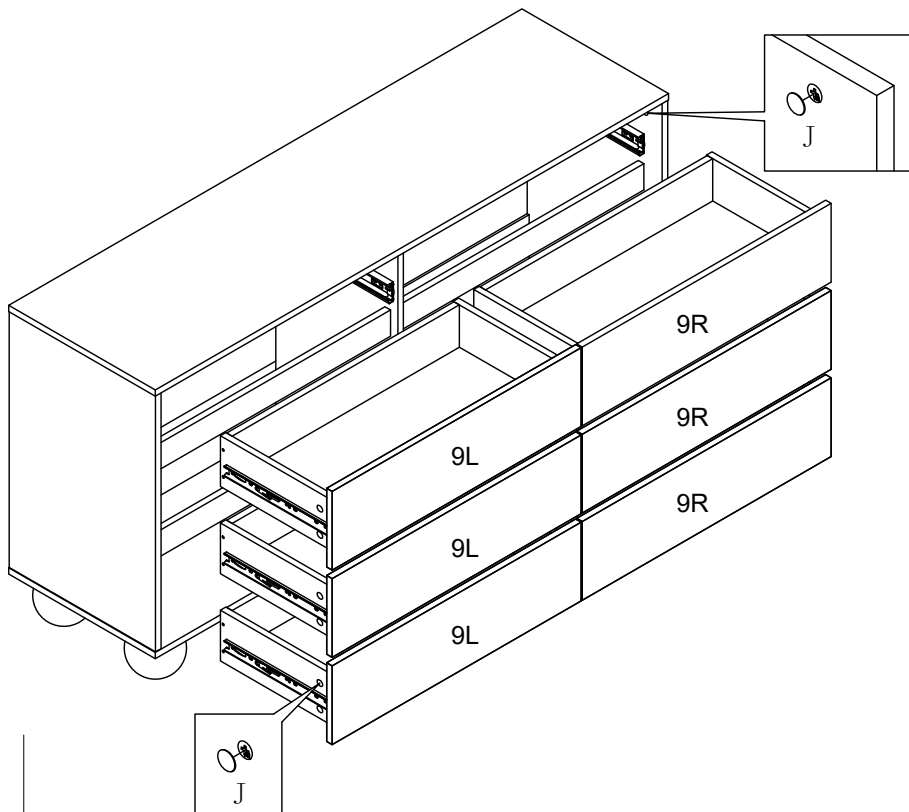


X3

No. C
Quantity: 30 Pcs
Cam
φ15



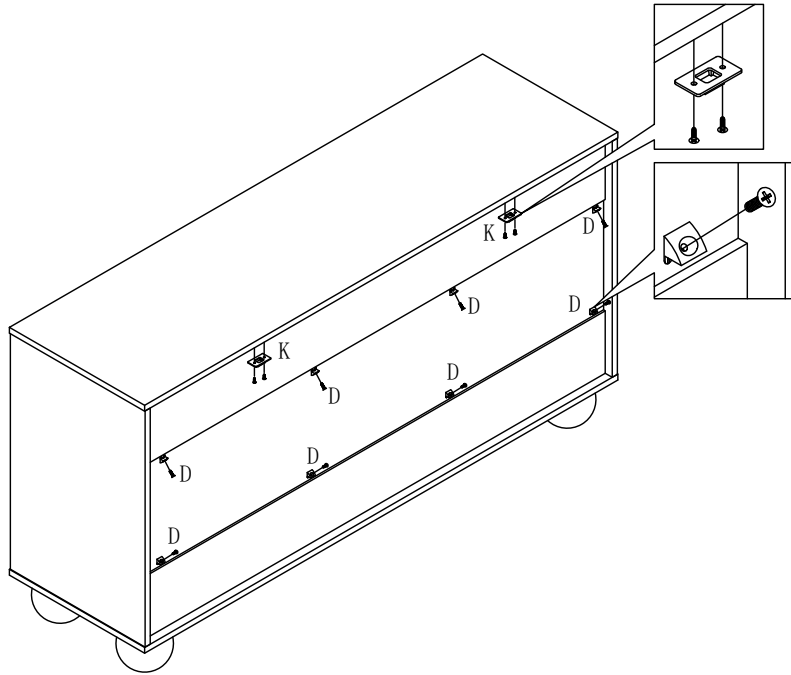
STEP 12



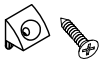
No. J
Quantity: 68 Pcs
Sticker



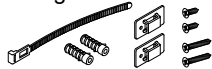
STEP 13



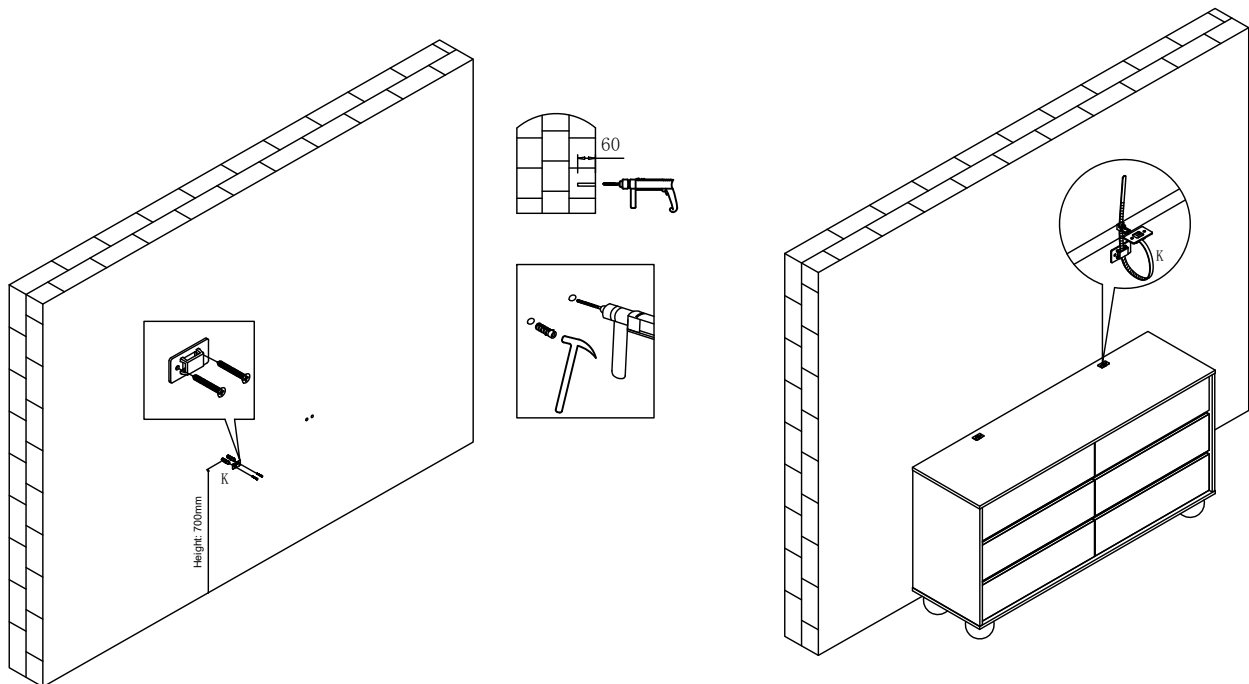
No. D
Quantity: 8 Pcs
Plastic Wedge
3.5*15mm



No. K
Quantity: 2 Sets
Anti-falling Parts



STEP 14



⚠ WARNING



Children have died from furniture tipover.

- ALWAYS secure this furniture with an anchor device.
- NEVER allow children to stand, climb or hang on drawers, doors, or shelves.
- ALWAYS secure your television with an anchor device.

This is a permanent label! Do not remove!

Great job. You're done!

Don't forget to share how it looks in your space and tag us on Instagram.
@lifelyhome#homewithlifely!