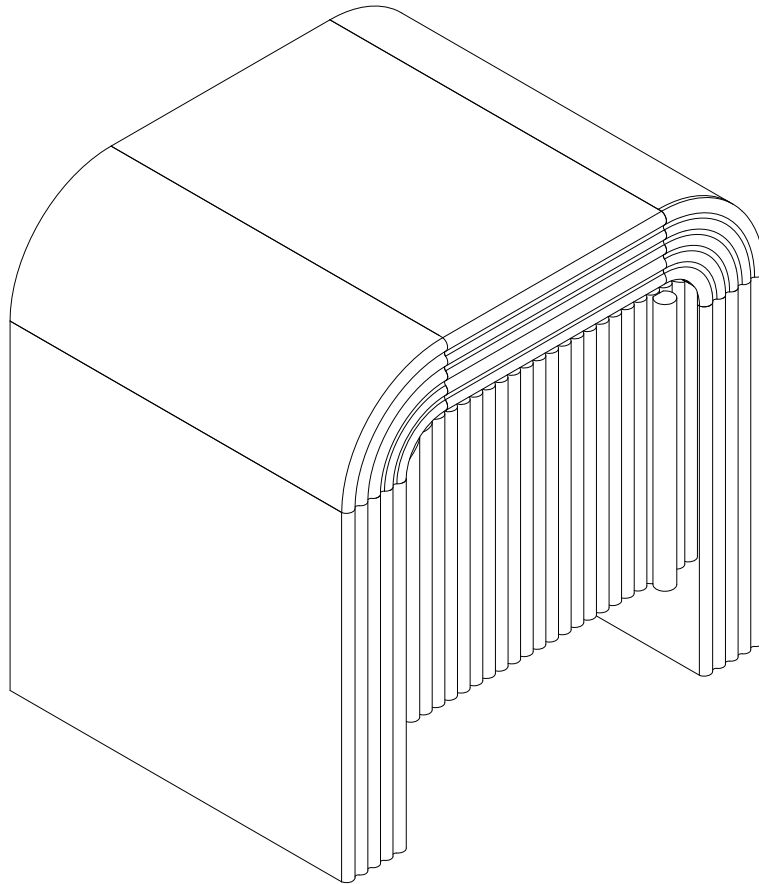


Assembly Instructions

Arlo Series



Lifely*

Product Code

ARLO-BT-WHT Arlo Bedside Table

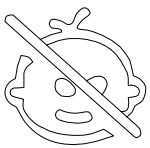
Dimensions(W x D x H)

500x400x500mm

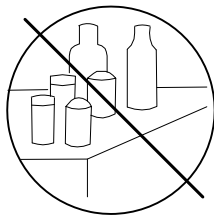
Important

Please read through instruction carefully
Before assembly and keep for future reference.
For our full catalogue of assembly instructions,
Visit: lifely.com.au/assembly.

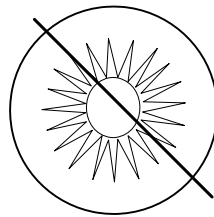
Important Tips and Maintenance



1. Keep children and animals away from working area as smaller parts may cause choking if swallowed.



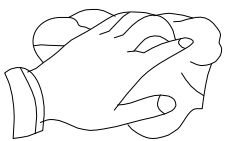
2. Never place liquids or anything damp upon furniture as it will mark. Ensure a coaster or running is beneath.



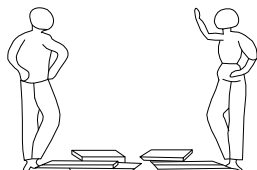
3. Never use ammonia based cleaning products as it will damage the finish.



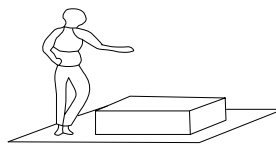
4. To avoid fading, keep furniture out of direct sunlight.



5. Use a soft or damp cloth (dry cloth) when wiping or cleaning surfaces.



6. Two person are required.



7. Lay a soft matt down to protect the furniture piece before and during assembly.

So your relationship is strong. But is it flat-pack furniture strong? Unless you're an aerospace engineer, assembling furniture can be slightly stressful. We recommend meditating quietly, pouring yourself a herbal tea (or slightly less herbal wine) and tackling things one step at a time. If you feel a passive aggressive remark coming on, try a compliment instead. E.g. "You're so good looking."

This 5-step assembly should take around 38 minutes with an Allen key - or 22 minutes with an electric drill.

Designed for everyday

Component Hardware

Please check you have all the fittings part or tools are listed in below.

No. A
Quantity:12 Pcs
Cam
φ15*12mm



No. B
Quantity:12 Pcs
Cam Lock Dowel
φ7*25



No. C
Quantity:12 Pcs
Wood Dowel
Ø8*30mm



No. D
Quantity:2 Pcs
Spring Hinge
φ35mm 87°



No. E
Quantity:2 Pcs
Screw
M4*25mm



No. F
Quantity:12Pcs
Screw
φ3.5*14mm



No. G
Quantity:14Pcs
Cover
φ21mm



No. H
Quantity:4Pcs
EVA Pad
φ25



No. I
Quantity:8 Pcs
Nut
M8



No. J
Quantity:8 Pcs
Screw
M8x70



No. K
Quantity:8 Pcs



No. L
Quantity:8Pcs
Cover
φ50mm



No. M
Quantity:1 Pc
Key
5mm



No. N
Quantity:1 Pc
Spanner



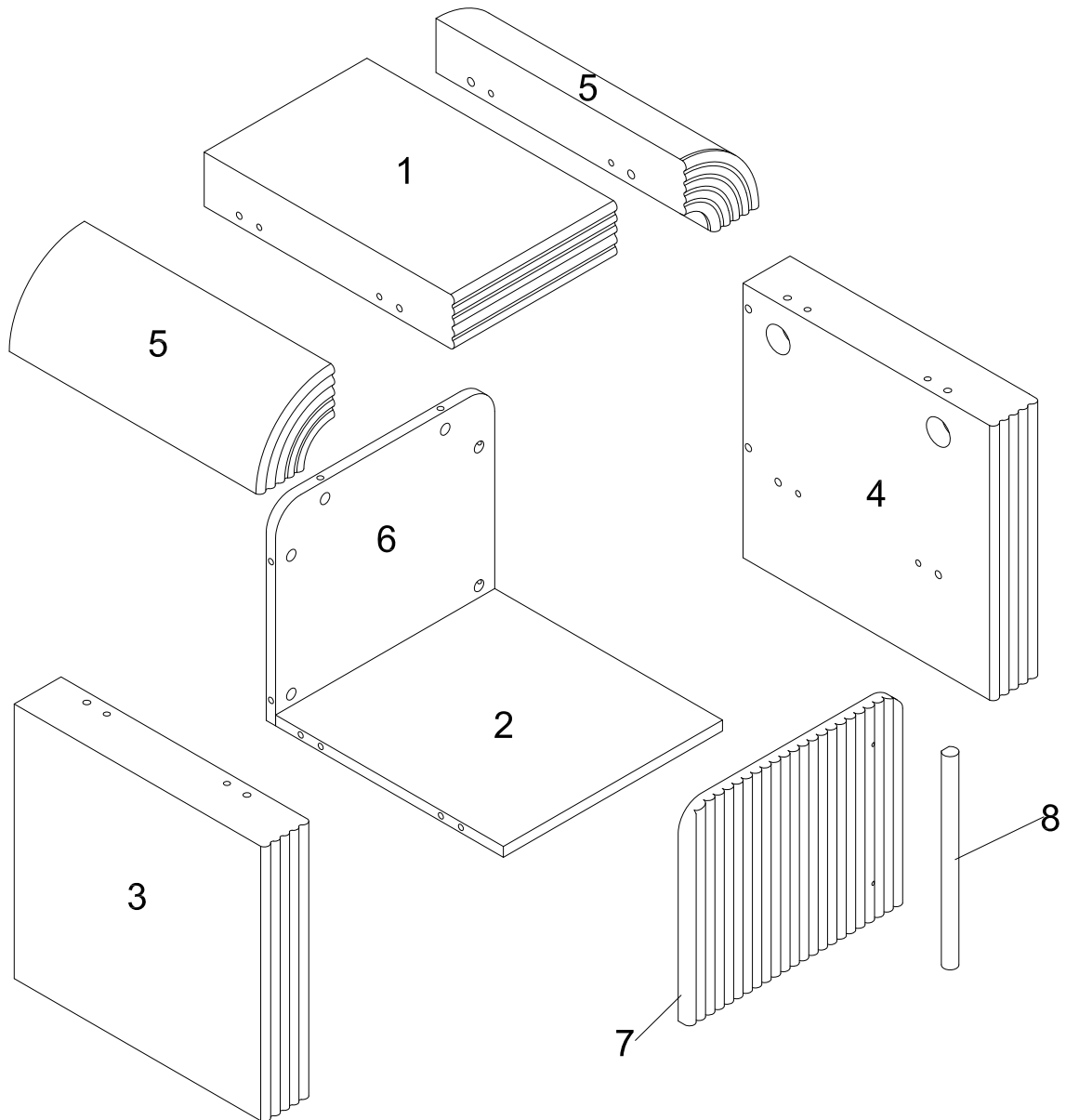
No. O
Quantity:1 Pair
Gloves



Component Panels & part List

Please check you have all the panels
are listed below.

- 1.Top Panel-----x1
- 2.Bottom-----x1
- 3.Side Panel-Left-----x1
- 4.Side Panel-Right-----x1
- 5.Corner-----x2
- 6.Back Panel-----x1
- 7.Door-----x1
- 8.Handle-----x1

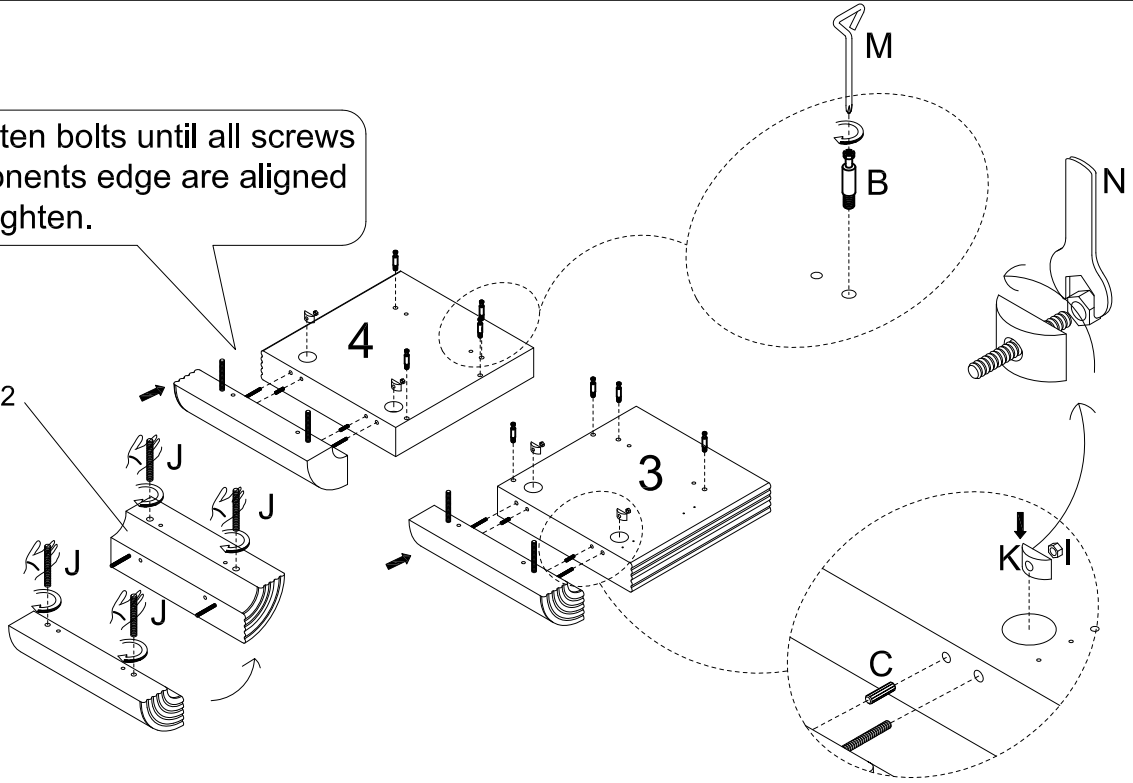


STEP 1

Do not tighten bolts until all screws and components edge are aligned then fully tighten.

5x2

No. K
Quantity:4 Pcs



No. B
Quantity:8 Pcs



No. C
Quantity:4 Pcs



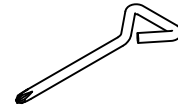
No. I
Quantity:4 Pcs



No. J
Quantity:8 Pcs



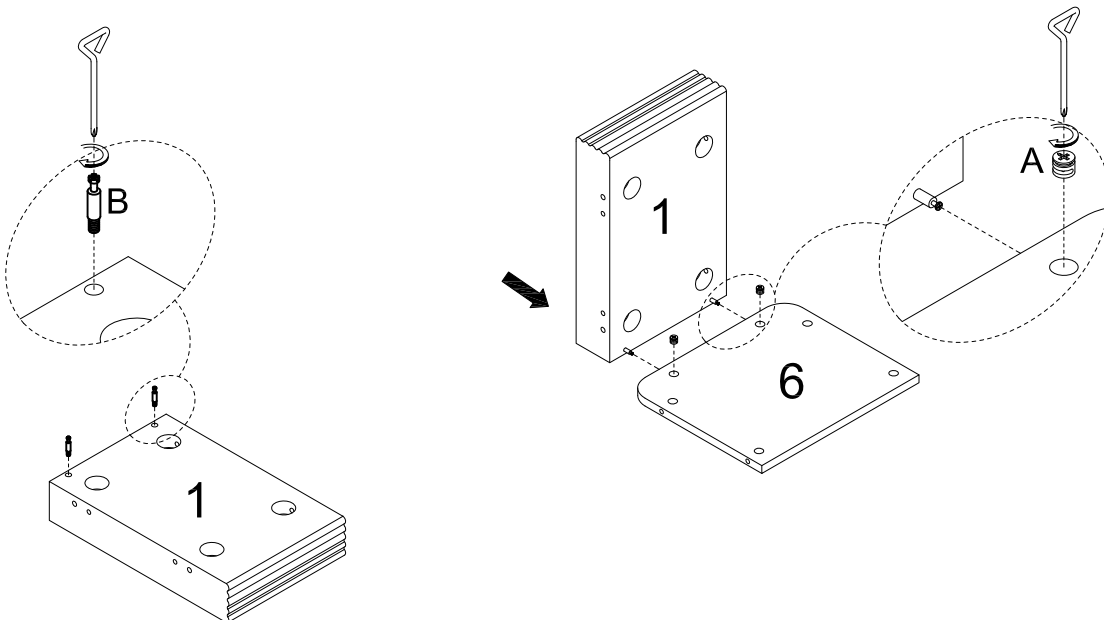
No. M
Quantity:1Pc



No. N
Quantity:1Pc



STEP 2



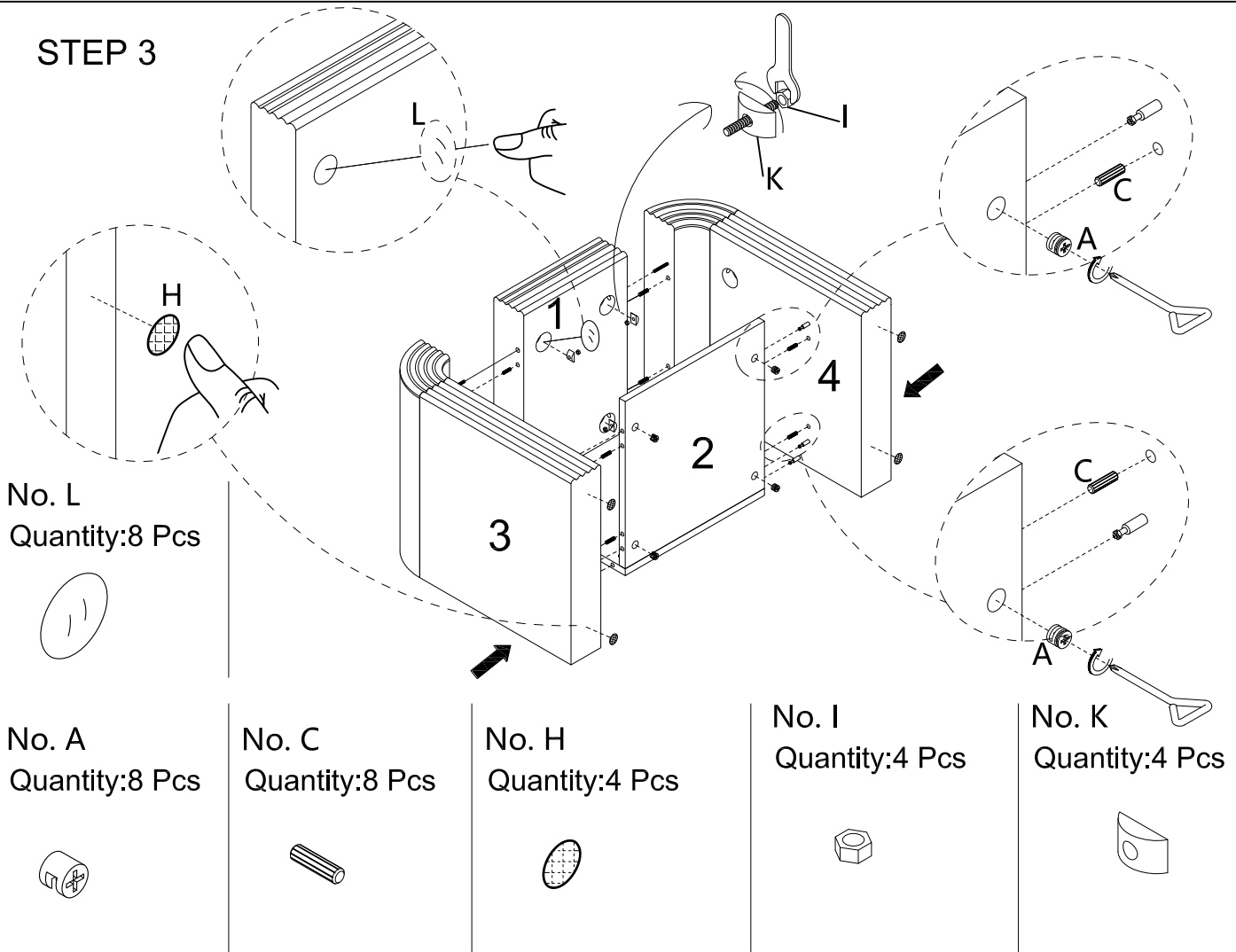
No. A
Quantity:2 Pcs



No. B
Quantity:2 Pcs



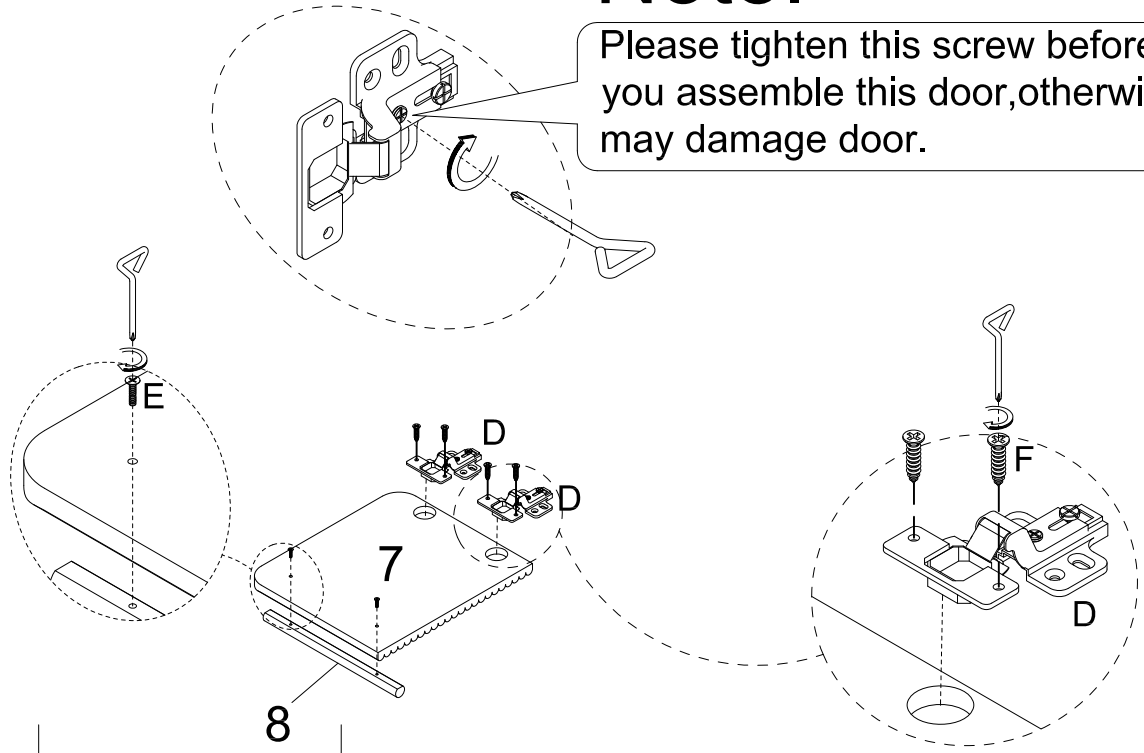
STEP 3



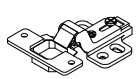
STEP 4

Note:


Please tighten this screw before you assemble this door, otherwise may damage door.



No. D
Quantity:2 Pcs



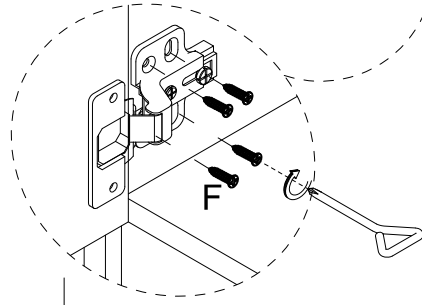
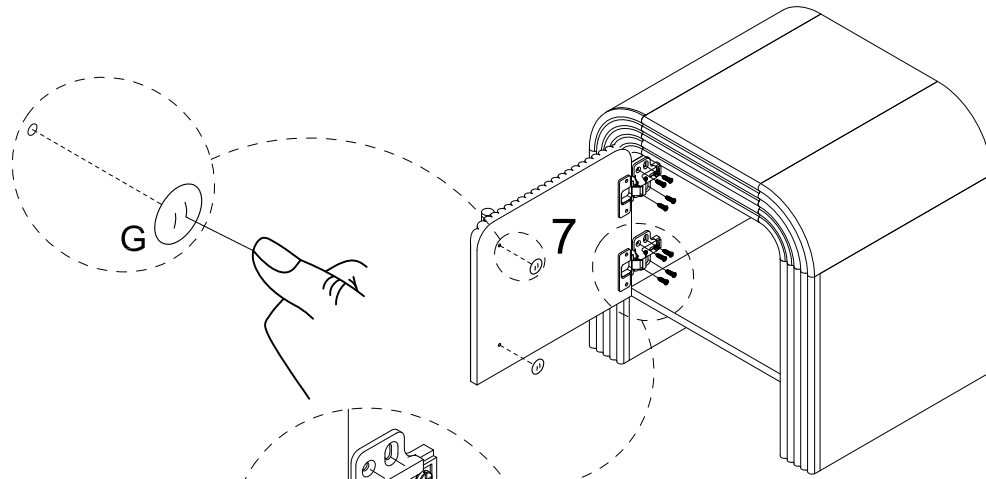
No. E
Quantity:2 Pcs



No. F
Quantity:4 Pcs



STEP 5



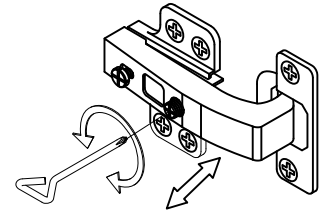
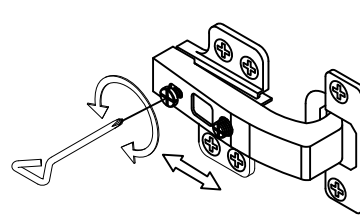
No. F
Quantity:8 Pcs

No. G
Quantity:12 Pcs



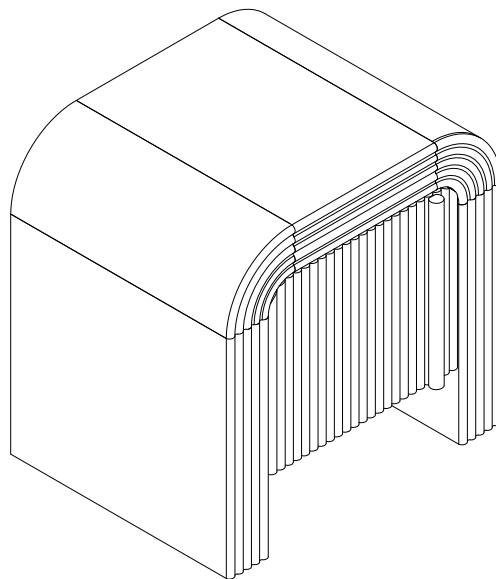
How to adjust the door gap at side with screw adjustment?

How to adjust the door gap at at front with screw adjustment?



Turn left or right the adjuster properly until door is balanced.

Turn left or right middle bolt adjuster properly until door is balanced.



lifely.com.au

Great job. You're done!

Don't forget to share how it looks in
your space and tag us on Instagram.

@lifelyhome #homewithlifely!