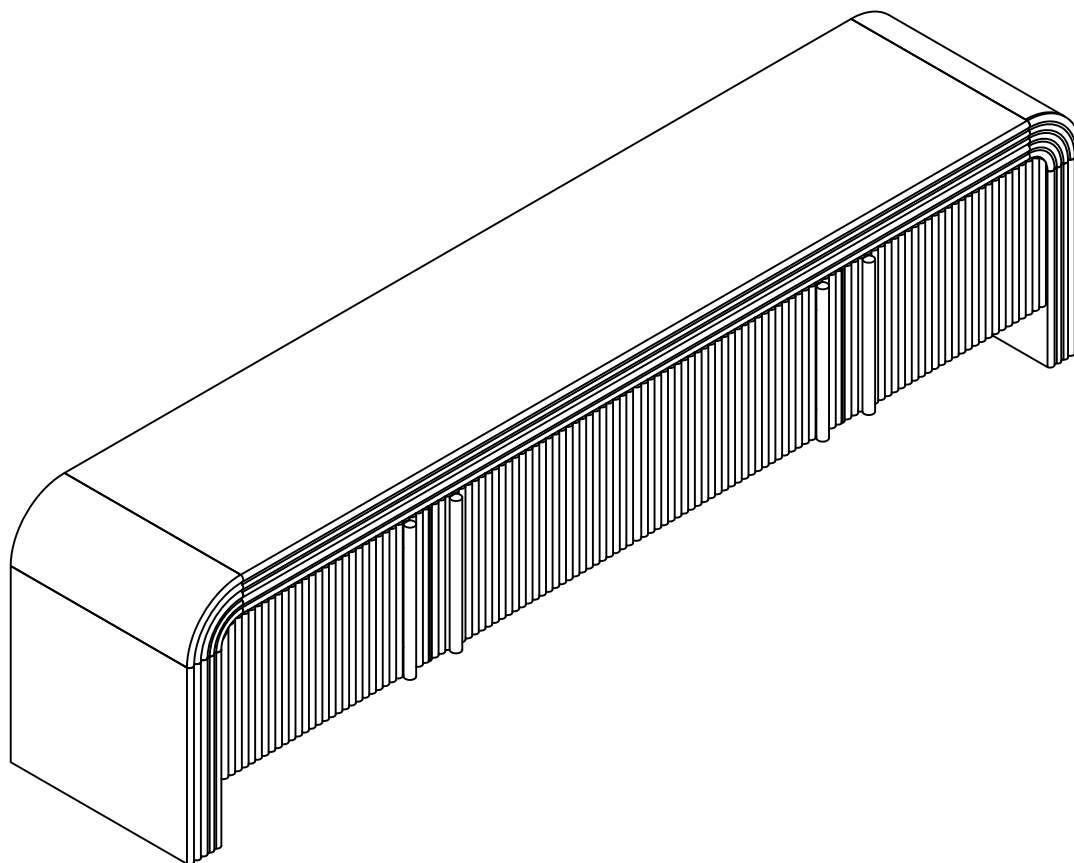


Assembly Instructions

Arlo Series



Lifely*

Product Code

ARLO-TV160-WHT Arlo TV Unit

Dimensions(W x D x H)

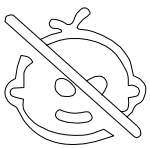
1600*400*500mm

Important

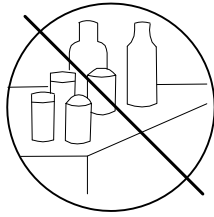
Please read through instruction carefully
Before assembly and keep for future reference.

For our full catalogue of assembly instructions,
Visit: lifely.com.au/assembly.

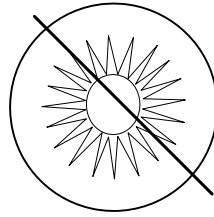
Important Tips and Maintenance



1. Keep children and animals away from working area as smaller parts may cause choking if swallowed.



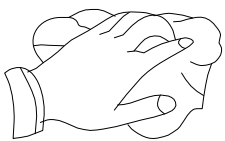
2. Never place liquids or anything damp upon furniture as it will mark. Ensure a coaster or running is beneath.



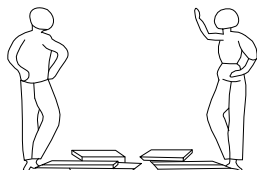
3. Never use ammonia based cleaning products as it will damage the finish.



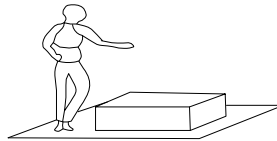
4. To avoid fading, keep furniture out of direct sunlight.



5. Use a soft or damp cloth (dry cloth) when wiping or cleaning surfaces.



6. Two person are required.



7. Lay a soft matt down to protect the furniture piece before and during assembly.

So your relationship is strong. But is it flat-pack furniture strong? Unless you're an aerospace engineer, assembling furniture can be slightly stressful. We recommend meditating quietly, pouring yourself a herbal tea (or slightly less herbal wine) and tackling things one step at a time. If you feel a passive aggressive remark coming on, try a compliment instead. E.g. "You're so good looking."

This 8-step assembly should take around 60 minutes with an Allen key- or 48 minutes with an electric drill.

Designed for everyday

Component Hardware CTN 1/2

Please check you have all the fittings
part or tools are listed in below.

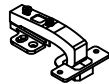
No. A
Quantity:30 Pcs
Cam
Ø15*12mm



No. B
Quantity:30 Pcs
Cam Lock Dowel
Ø7*25



No. C
Quantity:4 PCS
Spring Hinge
Ø35mm



No. D
Quantity:4 Pcs
Spring Hinge
Ø35mm



No. E
Quantity:1 Pcs
Screw
M6*25mm



No. F
Quantity:27Pcs
Wooden Dowel
Ø8*30mm



No. G
Quantity:8 Pcs
Screw
M4*25mm



No. H
Quantity:50 Pcs
Screw
Ø3.5*14mm



No. I
Quantity:30Pc
Cover
Ø20mm



No. J
Quantity:5 Pcs
EVA Pad
Ø25mm



No. K
Quantity:8 PcS
M8



No. L
Quantity:8 PcS
M8*70mm



No. M
Quantity:8 Pcs



No. N
Quantity:8Pc
Cover
Ø50mm



No. O
Quantity:1 Pc
Key
5mm



No. P
Quantity:1 Pc
Key



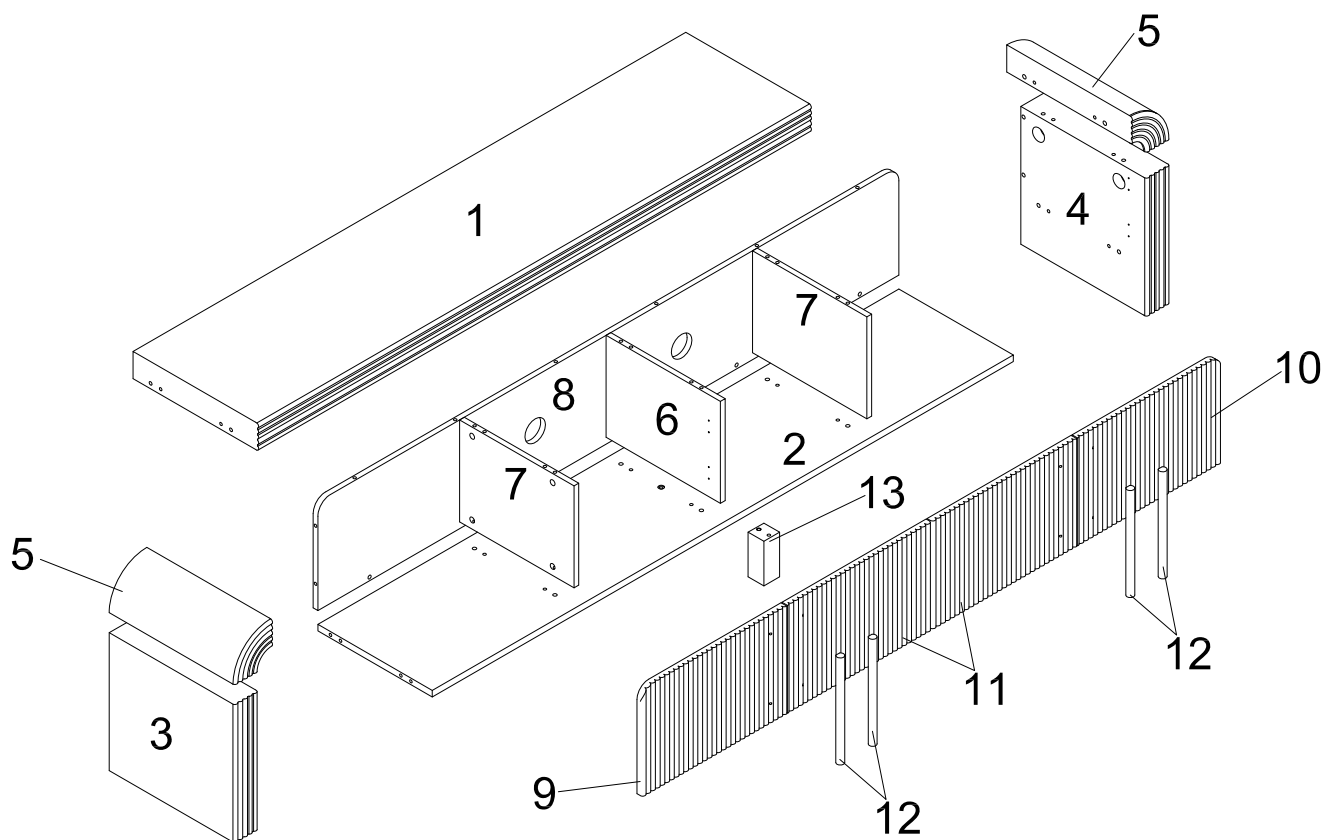
No. Q
Quantity:1 Pair
Gloves



Component Panels & part List

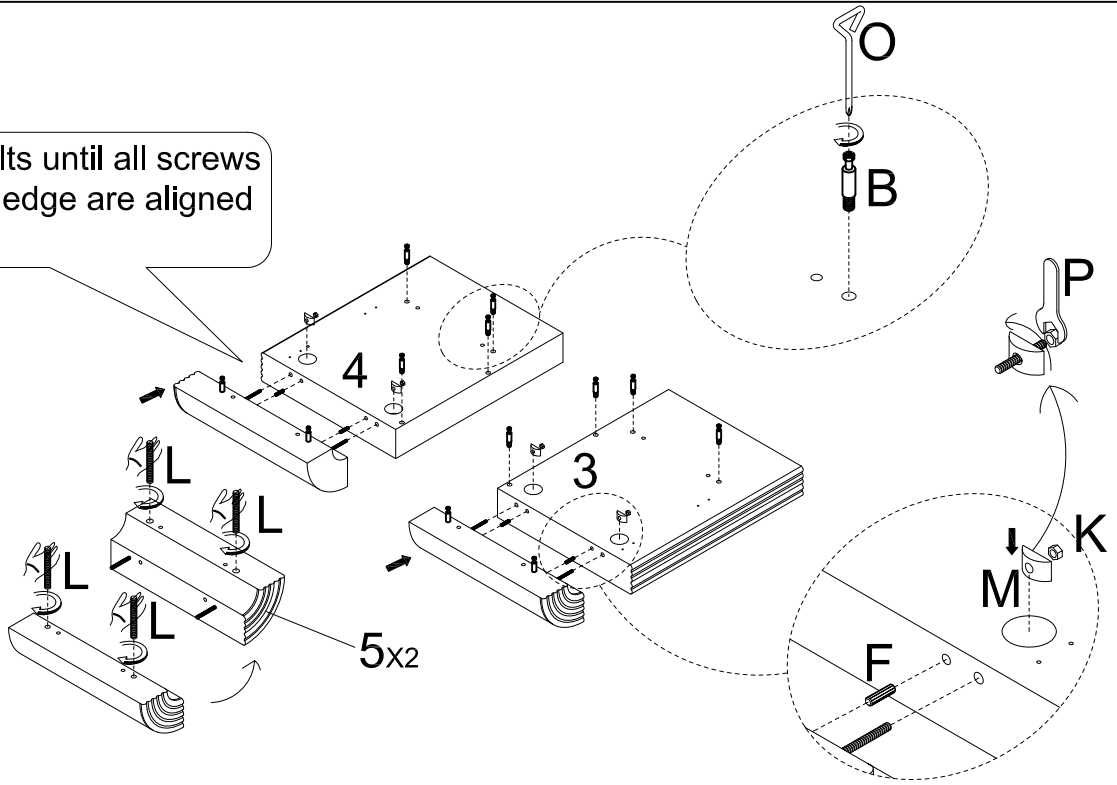
Please check you have all the panels
are listed below.

- | | | | |
|-----|--------------------------|----|---------|
| 1. | Top Panel----- | x1 | CTN 1/2 |
| 2. | Bottom Panel----- | x1 | CTN 1/2 |
| 3. | Side Panel-Left----- | x1 | CTN 2/2 |
| 4. | Side Panel-Right----- | x1 | CTN 2/2 |
| 5. | Corner----- | x2 | CTN 2/2 |
| 6. | Division Panel----- | x1 | CTN 2/2 |
| 7. | Side Division Panel----- | x2 | CTN 2/2 |
| 8. | Back Panel----- | x1 | CTN 1/2 |
| 9. | Door Left----- | x1 | CTN 2/2 |
| 10. | Door Right----- | x1 | CTN 2/2 |
| 11. | Door Middle----- | x2 | CTN 2/2 |
| 12. | Handle----- | x4 | CTN 1/2 |
| 13. | Middle Leg----- | x1 | CTN 1/2 |



STEP 1

Do not tighten bolts until all screws and components edge are aligned then fully tighten.



No. M
Quantity:4 Pcs



No. B
Quantity:8 Pcs



No. F
Quantity:4 Pcs



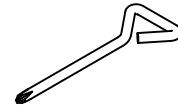
No. K
Quantity:4 Pcs



No. L
Quantity:8 Pcs



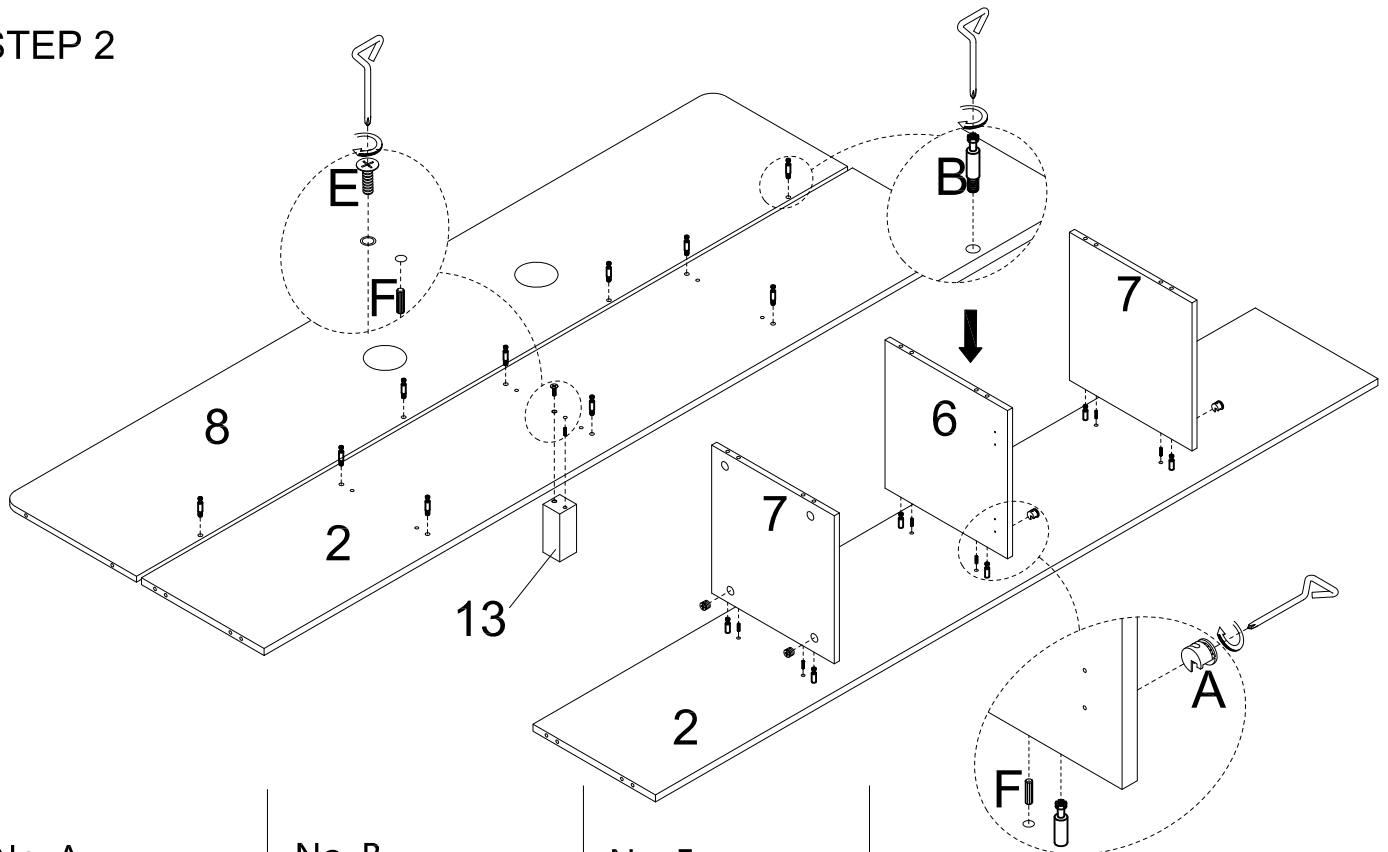
No. O
Quantity:1Pc



No. P
Quantity:1Pc



STEP 2



No. A
Quantity:6 Pcs



No. B
Quantity:10 Pcs



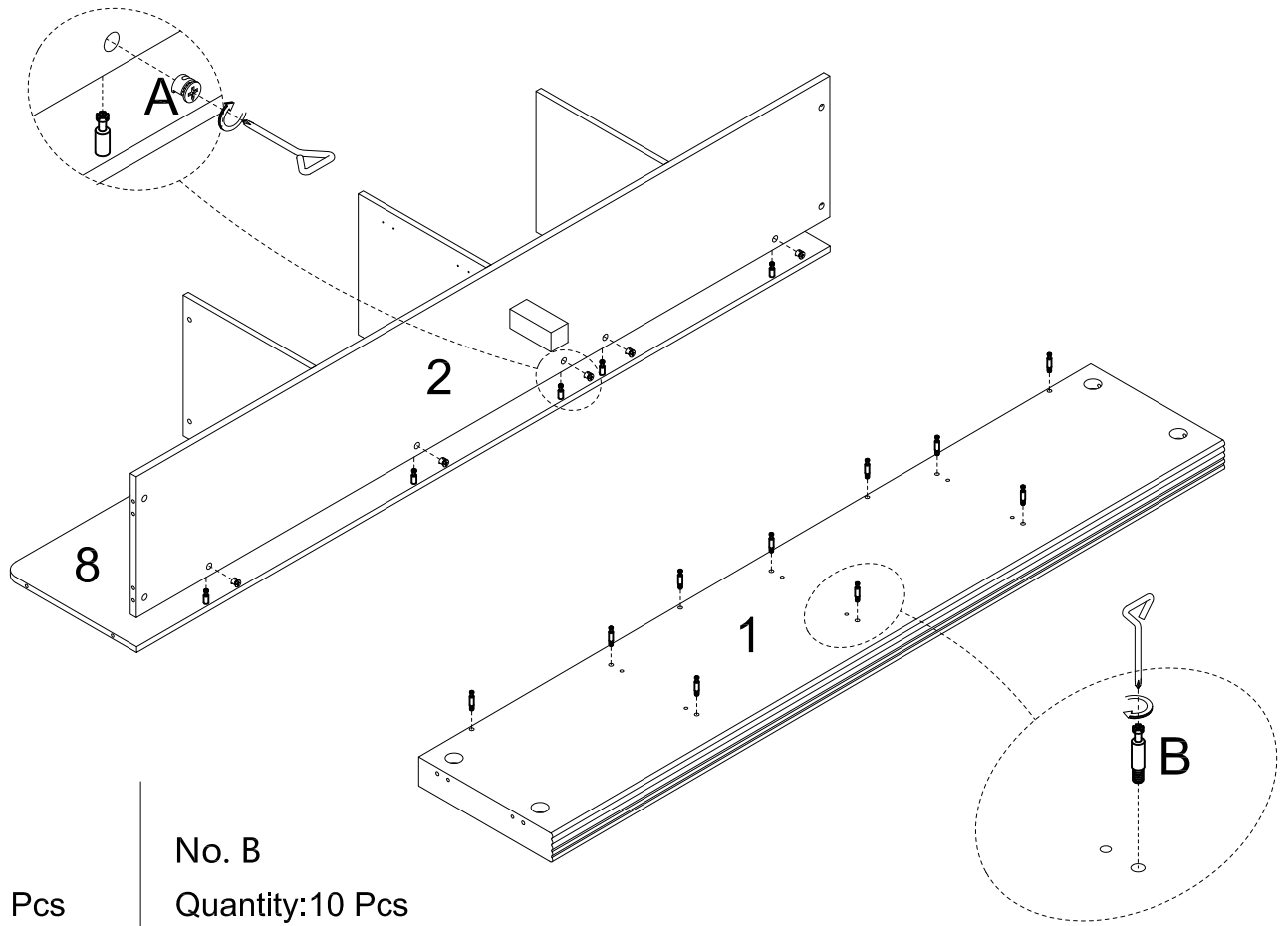
No. E
Quantity:1 Pcs



No. F
Quantity:7 Pcs



STEP 3

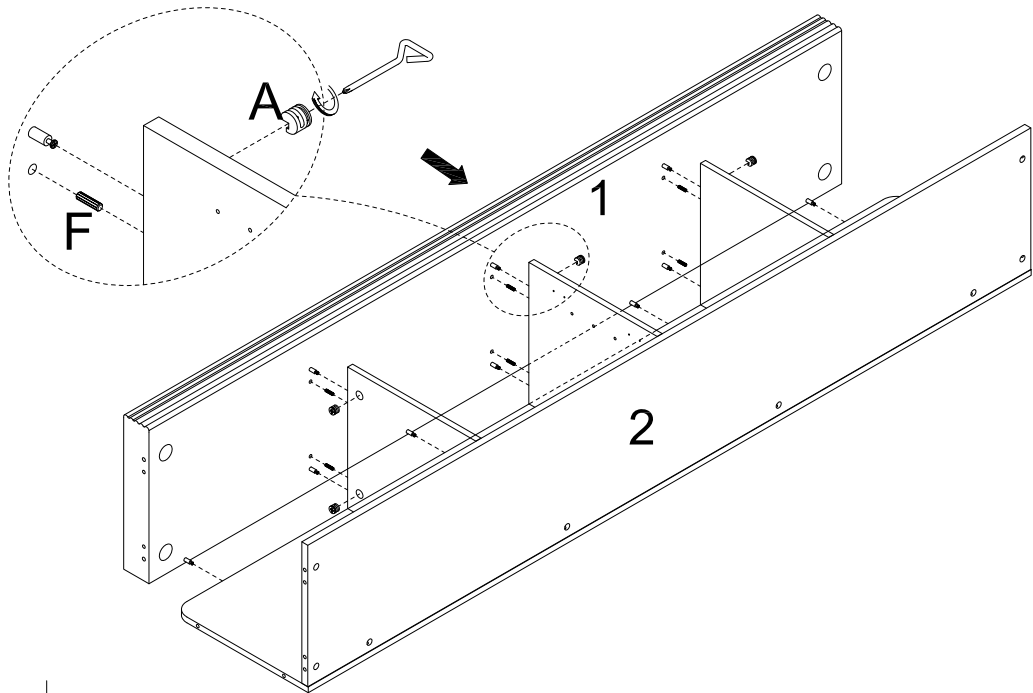


No. A
Quantity:4 Pcs

No. B
Quantity:10 Pcs



STEP 4

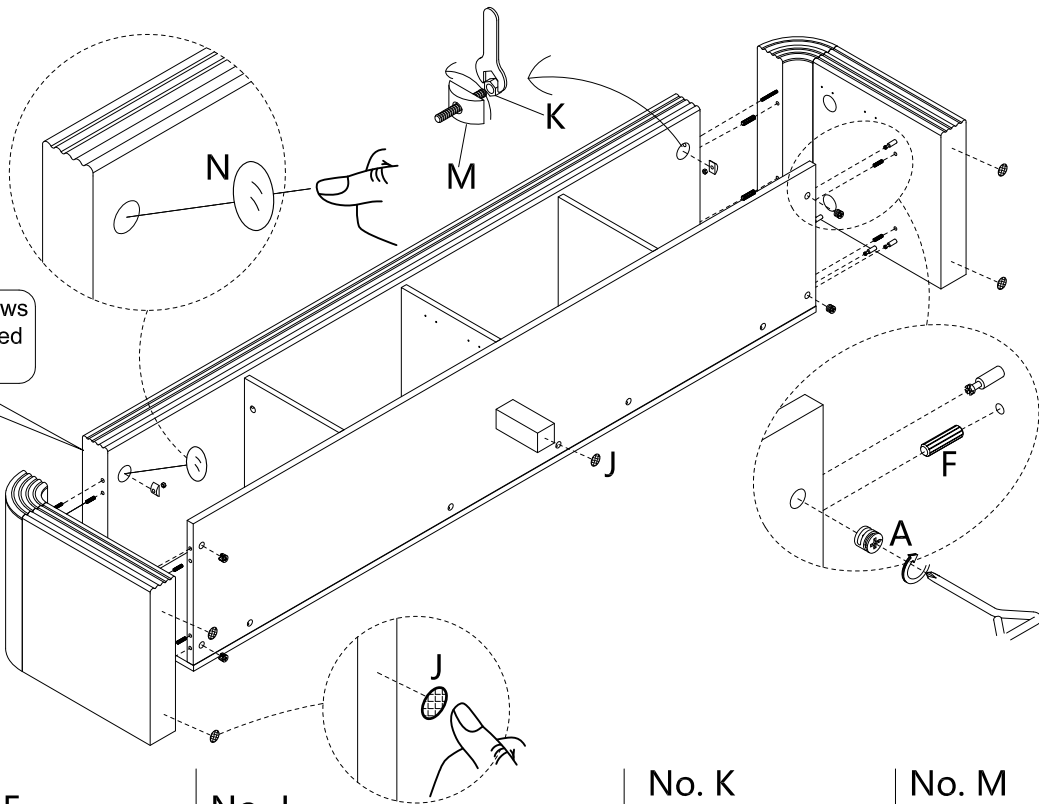


No. A
Quantity:6 Pcs

No. F
Quantity:6 Pcs



STEP 5



Do not tighten bolts until all screws and components edge are aligned then fully tighten.

No. N
Quantity:8 Pcs



No. A
Quantity:4 Pcs



No. F
Quantity:8 Pcs



No. J
Quantity:5 Pcs



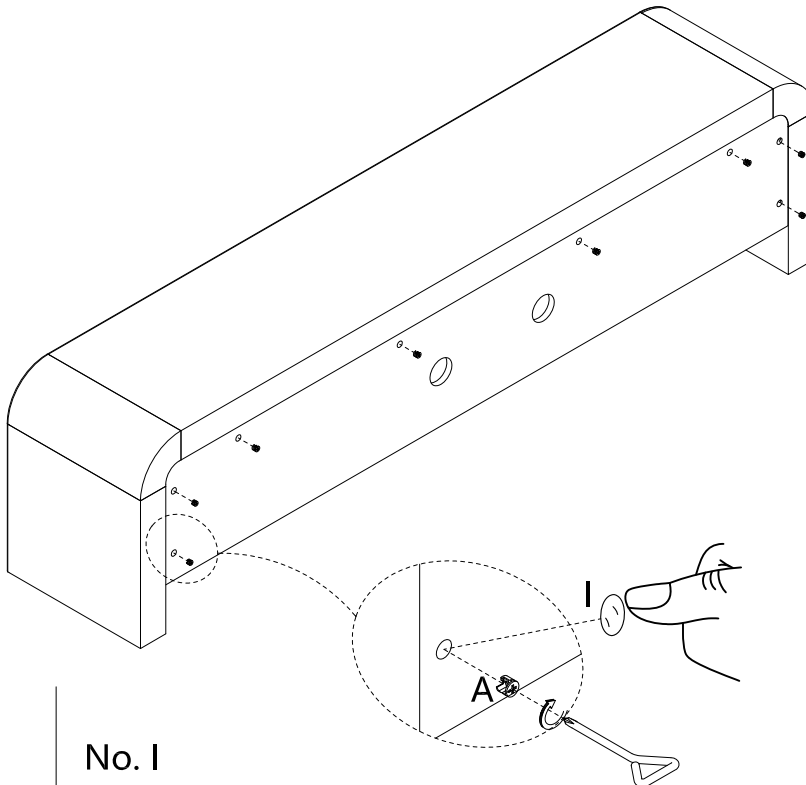
No. K
Quantity:4 Pcs



No. M
Quantity:4 Pcs



STEP 6



No. A
Quantity:8 Pcs

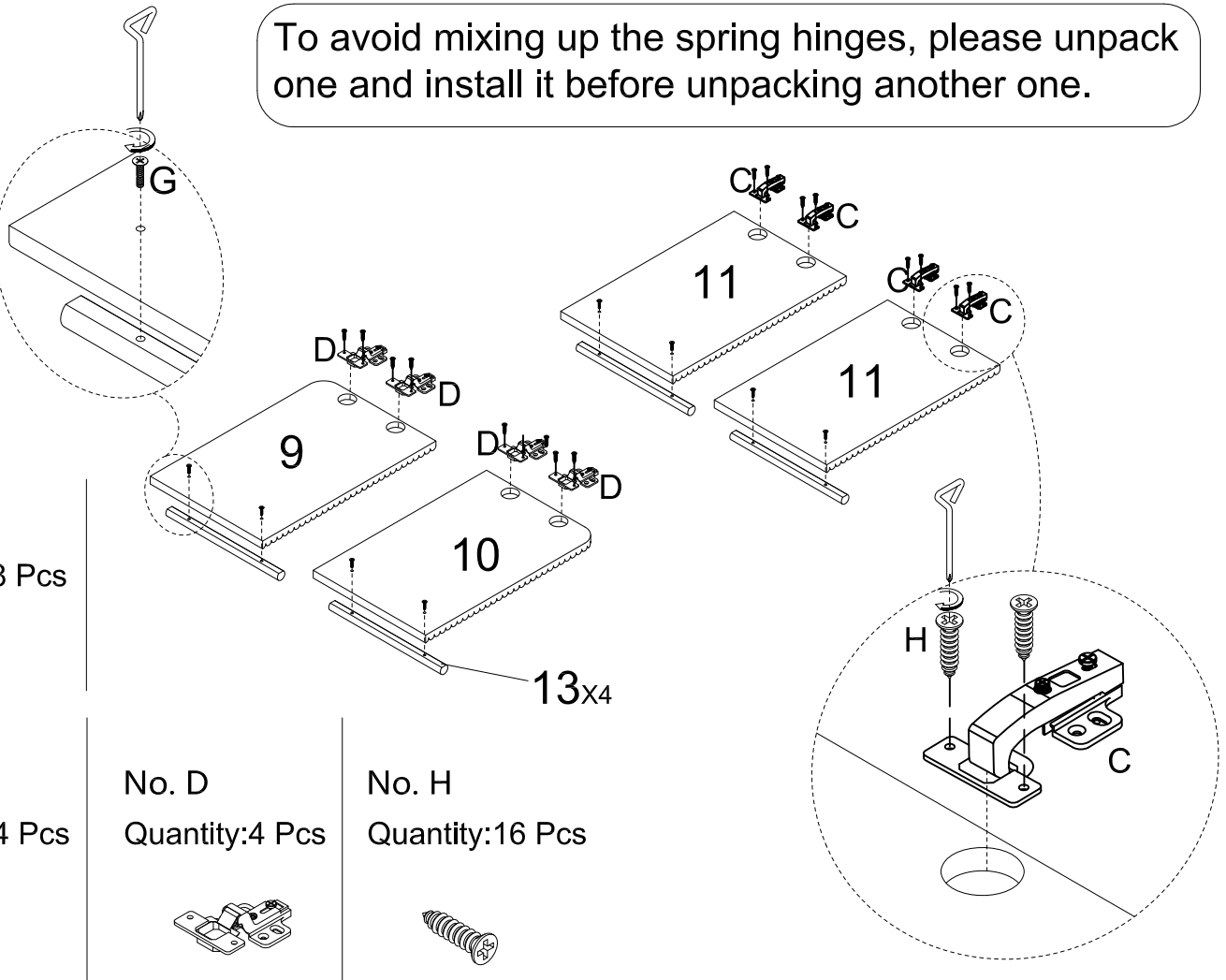


No. I
Quantity:30 Pcs



STEP 7

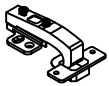
To avoid mixing up the spring hinges, please unpack one and install it before unpacking another one.



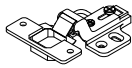
No. G
Quantity: 8 Pcs



No. C
Quantity: 4 Pcs



No. D
Quantity: 4 Pcs

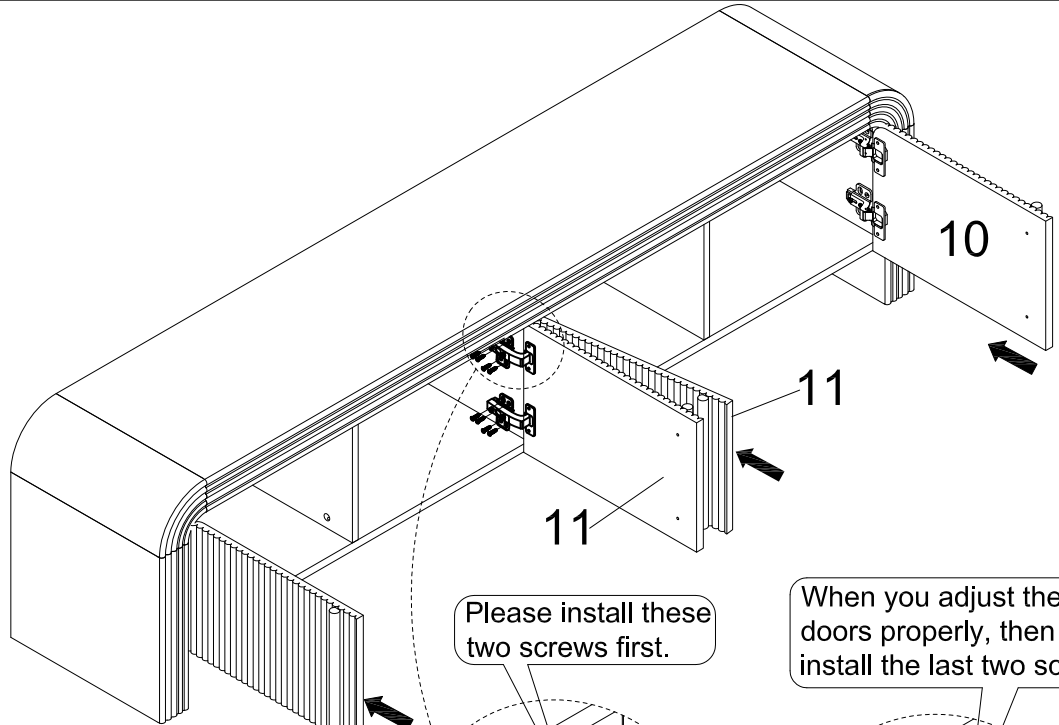


No. H
Quantity: 16 Pcs



STEP 8

No. H
Quantity: 32 Pcs

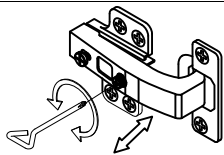
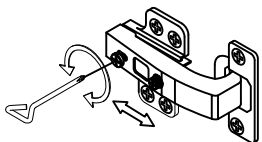


Please install these two screws first.

When you adjust the doors properly, then install the last two screws.

How to adjust the door gap at side with screw adjustment?

How to adjust the door gap at front with screw adjustment?



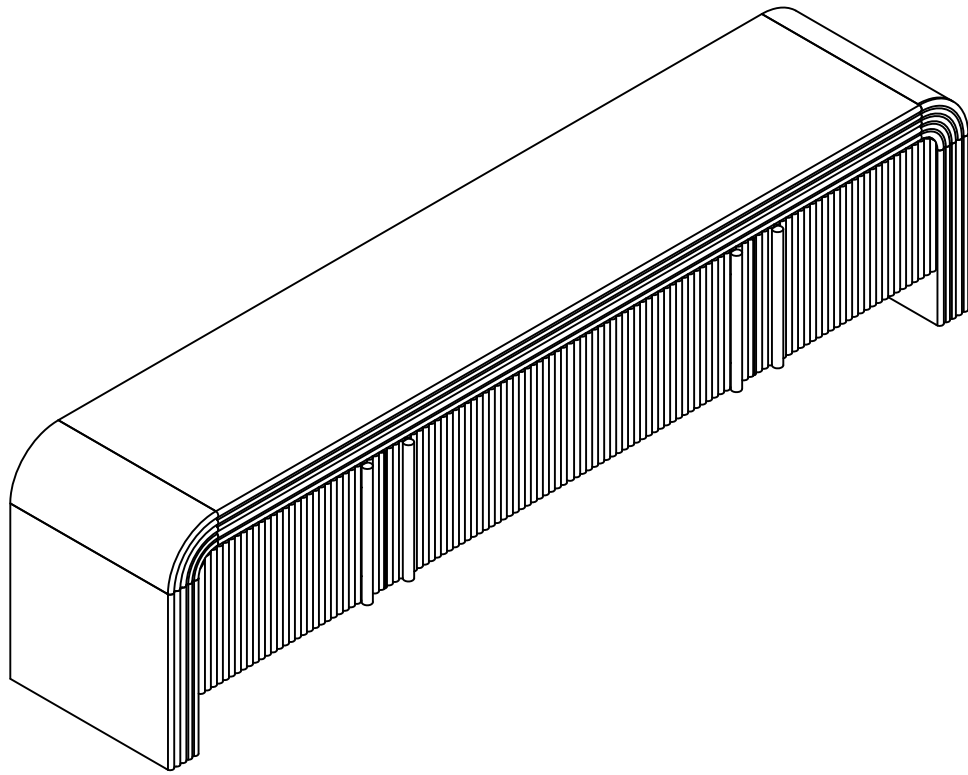
Turn left or right the adjuster properly until door is balanced.

Turn left or right middle bolt adjuster properly until door is balanced.

STEP 1

STEP 2

ARLO-TV160-WHT 9



lifely.com.au

Great job. You're done!

Don't forget to share how it looks in
your space and tag us on Instagram.

@lifelyhome #homewithlifely!