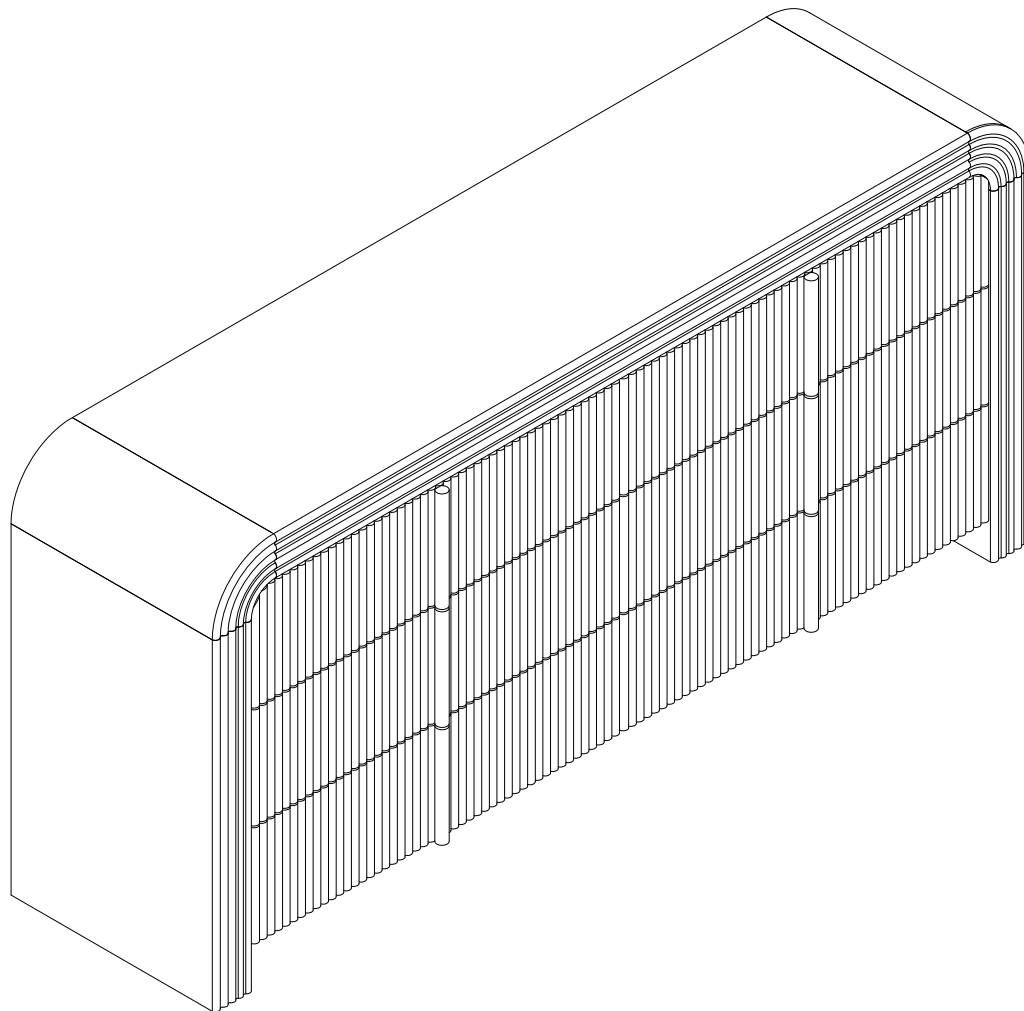


Assembly Instructions

Arlo Series



Lifely*

Product Code

ARLO-6COD-WHT Arlo Sideboard

Dimensions(W x D x H)

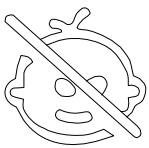
1600*400*750mm

Important

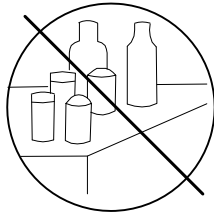
Please read through instruction carefully
Before assembly and keep for future reference.

For our full catalogue of assembly instructions,
Visit: lifely.com.au/assembly.

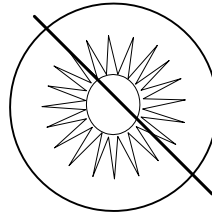
Important Tips and Maintenance



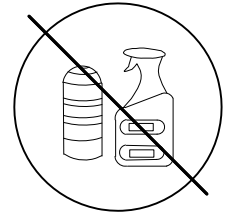
1. Keep children and animals away from working area as smaller parts may cause choking if swallowed.



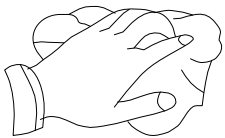
2. Never place liquids or anything damp upon furniture as it will mark. Ensure a coaster or running is beneath.



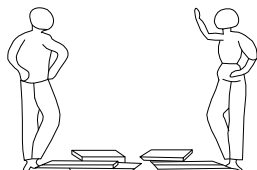
3. Never use ammonia based cleaning products as it will damage the finish.



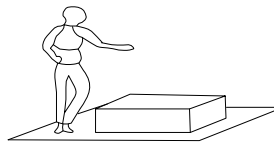
4. To avoid fading, keep furniture out of direct sunlight.



5. Use a soft or dry cloth when wiping or cleaning surfaces.



6. Two person are required.



7. Lay a soft matt down to protect the furniture piece before and during assembly.

So your relationship is strong. But is it flat-pack furniture strong? Unless you're an aerospace engineer, assembling furniture can be slightly stressful. We recommend meditating quietly, pouring yourself a herbal tea (or slightly less herbal wine) and tackling things one step at a time. If you feel a passive aggressive remark coming on, try a compliment instead. E.g. "You're so good looking."

This 9-step assembly should take around 70 minutes with an Allen key-or 55 minutes with an electric drill.

Designed for everyday

Component Hardware CTN 1/3

Please check you have all the fittings
part or tools are listed in below.

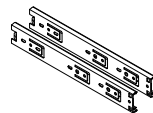
No. A
Quantity:54 Pcs
Cam
Ø15*12mm



No. B
Quantity:54 Pcs
Cam Lock Dowel
Ø7*25



No. C
Quantity:6 Sets
Slider
L=250mm



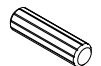
No. D
Quantity:24 Pcs
Screw
Ø3.5*35mm



No. E
Quantity:1 Pcs
Screw
M6*25mm



No. F
Quantity:17Pcs
Wooden Dowel
Ø8*30mm



No. G
Quantity:12 Pcs
Screw
M4*25mm



No. H
Quantity:75 Pcs
Screw
Ø3.5*14mm



No. I
Quantity:52Pcs
Cover
Ø20mm



No. J
Quantity:5 Pcs
EVA Pad
Ø25



No. K
Quantity:8 Pcs
M8



No. L
Quantity:8 PcS
M8x70



No. M
Quantity:8 Pcs



No. N
Quantity:8Pc
Cover
Ø50mm



No. O
Quantity:1 Pc
Key
5mm



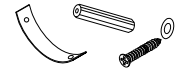
No. P
Quantity:1 Pc
Key



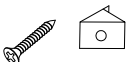
No. Q
Quantity:1 Pair
Gloves



No. R
L=200mm X2
Ø4*25mm x2
Ø4 x4



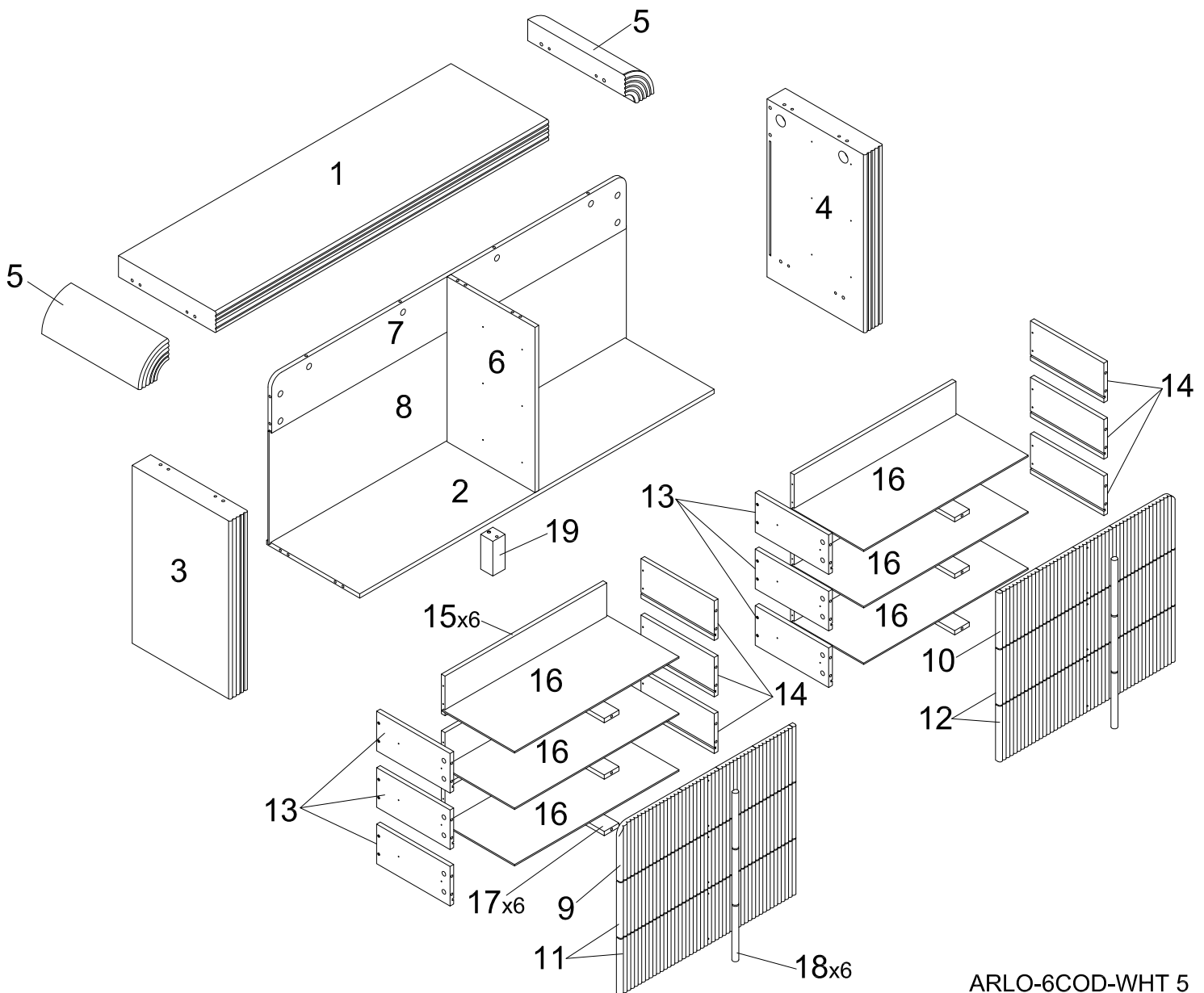
No. S
Quantity:6 Pcs
Angle plastic
Ø3*18mm



Component Panels & part List

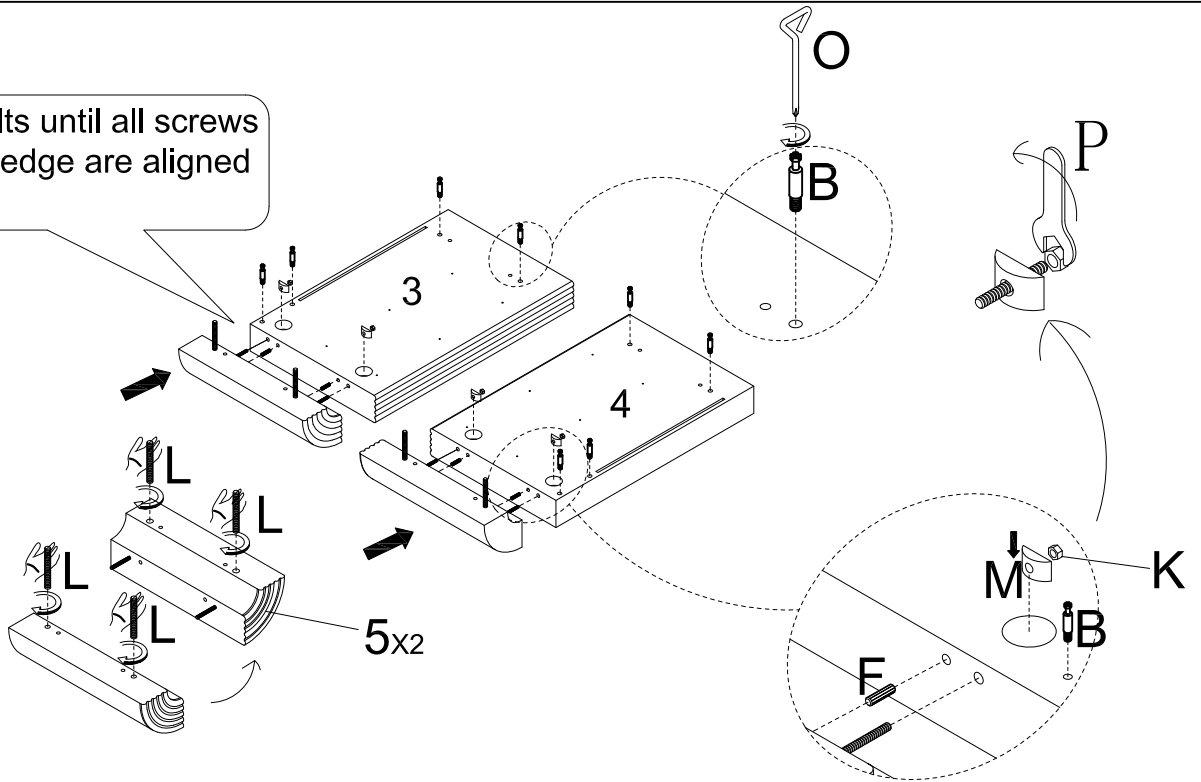
Please check you have all the panels are listed below.

- | | | | |
|----------------------------------|---------|------------------------------------|---------|
| 1. Top Panel-----x1 | CTN 2/3 | 13. Drawer Side Panel-Left-----x6 | CTN 1/3 |
| 2. Bottom Panel-----x1 | CTN 2/3 | 14. Drawer Side Panel-Right-----x6 | CTN 1/3 |
| 3. Side Panel-Left-----x1 | CTN 3/3 | 15. Drawer Back Panel-----x6 | CTN 1/3 |
| 4. Side Panel-Right-----x1 | CTN 3/3 | 16. Drawer Bottom Panel-----x6 | CTN 1/3 |
| 5. Corner-----x2 | CTN 3/3 | 17. Drawer Bottom Supporting---x6 | CTN 1/3 |
| 6. Division Panel-----x1 | CTN 1/3 | 18. Drawer Handle-----x6 | CTN 1/3 |
| 7. Back Supporting-----x1 | CTN 2/3 | 19. Middle Leg-----x1 | CTN 1/3 |
| 8. Back Panel-----x1 | CTN 2/3 | | |
| 9. Drawer Panel-Left-Upper---x1 | CTN 3/3 | | |
| 10. Drawer Panel-Right-Upper--x1 | CTN 3/3 | | |
| 11. Drawer Panel-Left-Down---x1 | CTN 3/3 | | |
| 12. Drawer Panel-Right-Down---x1 | CTN 3/3 | | |

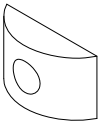


STEP 1

Do not tighten bolts until all screws and components edge are aligned then fully tighten.



No. M
Quantity:4 Pcs



No. B
Quantity:8 Pcs



No. F
Quantity:4 Pcs



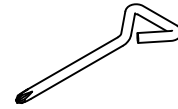
No. K
Quantity:4 Pcs



No. L
Quantity:8 Pcs



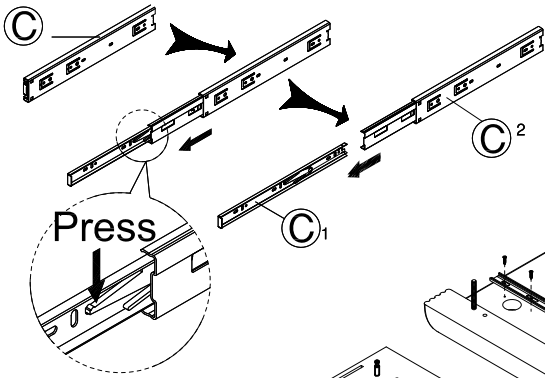
No. O
Quantity:1Pc



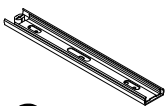
No. P
Quantity:1Pc



STEP 2



No. C
Quantity:12 Pcs



C2

No. H
Quantity:36 Pcs

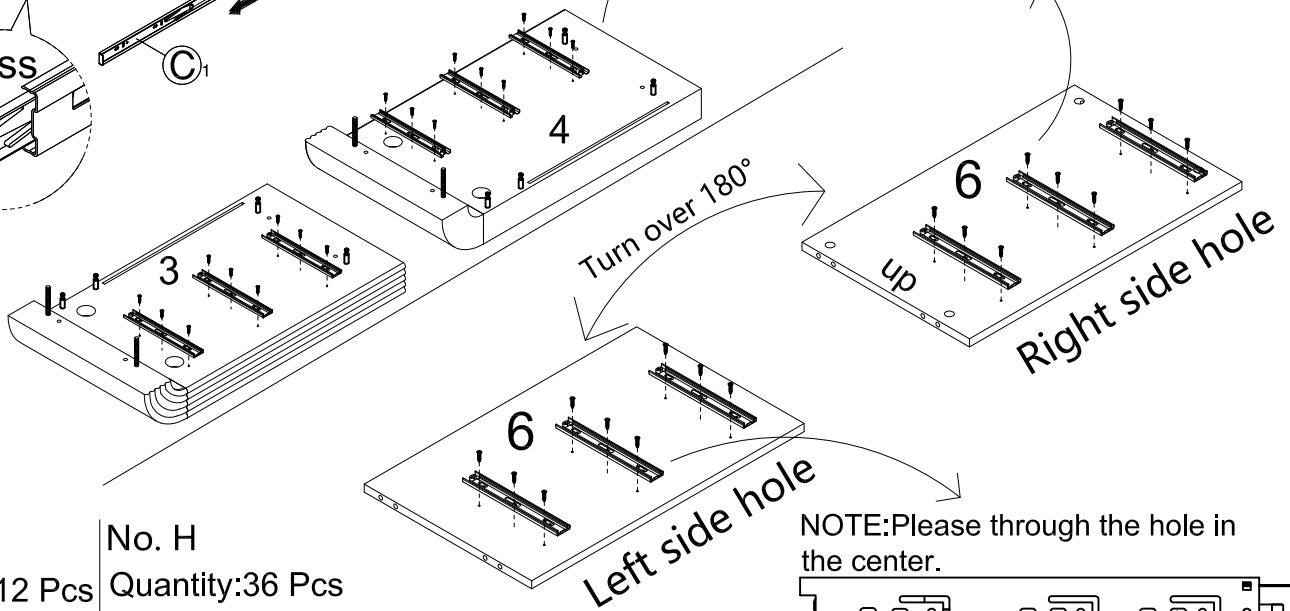


NOTE:Please through the hole in the center.

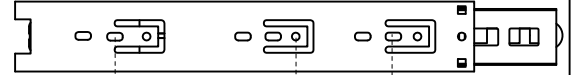


Last Third Hole

Second Hole



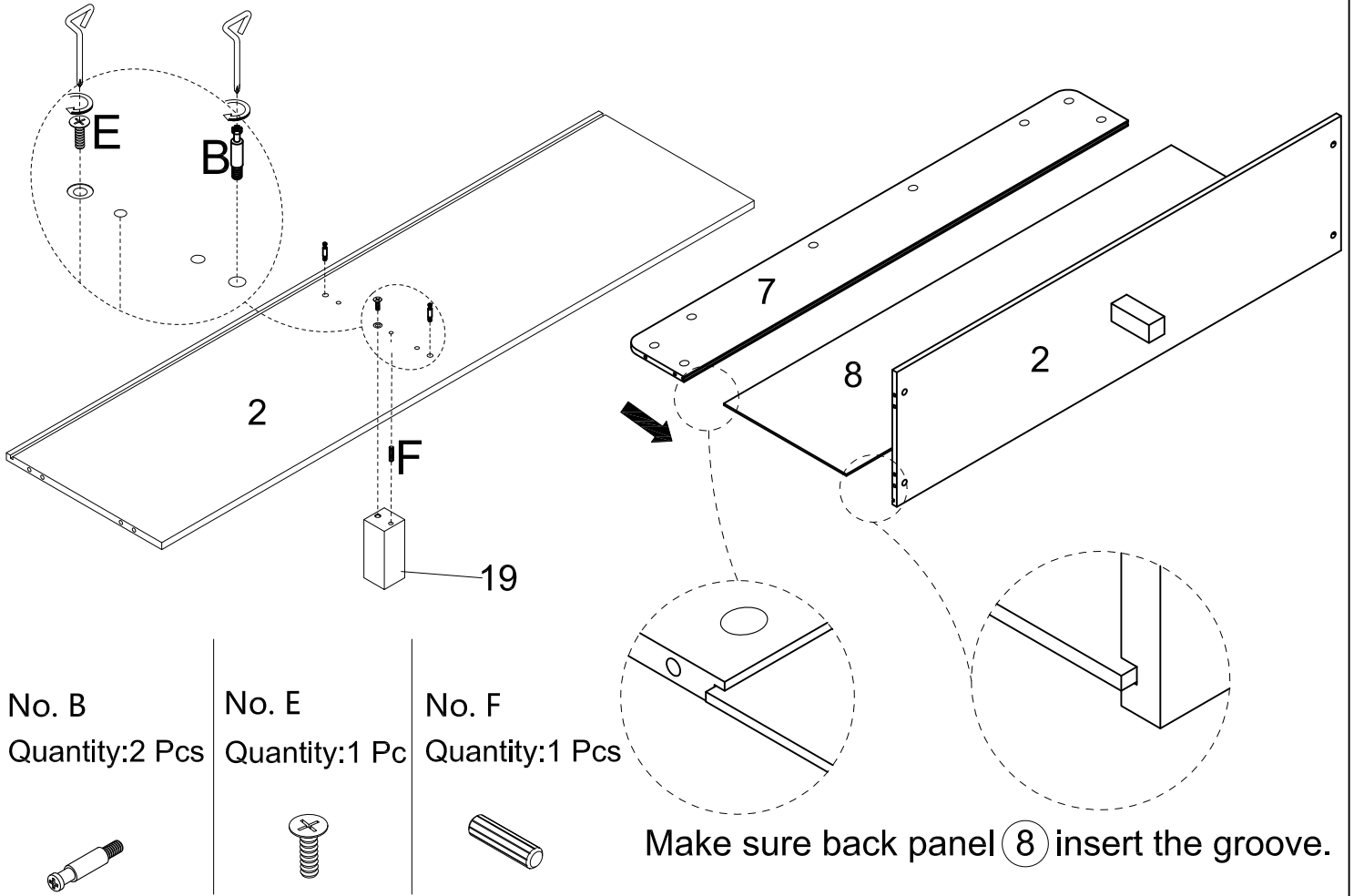
NOTE:Please through the hole in the center.



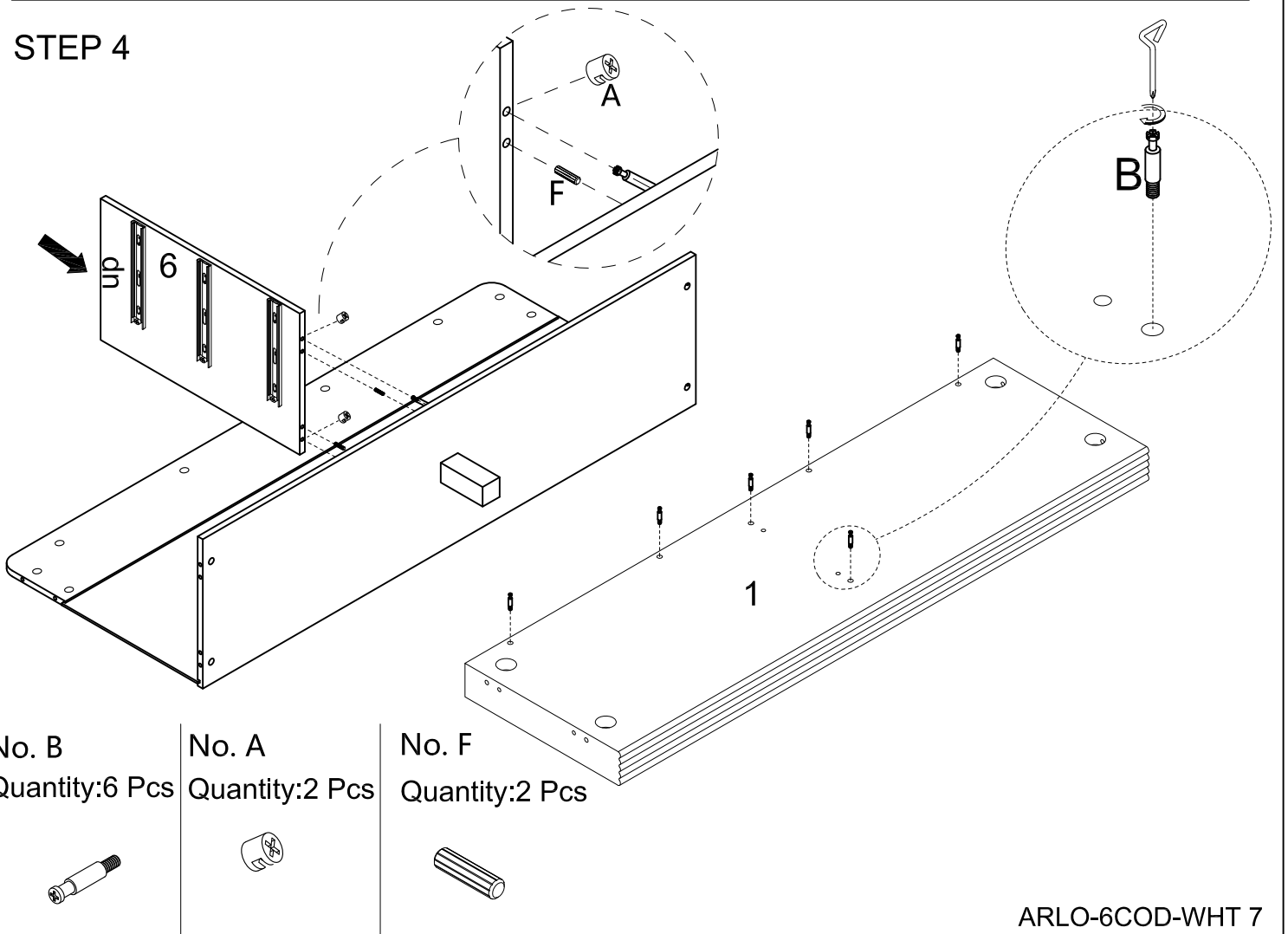
Last Second Hole

Third Hole

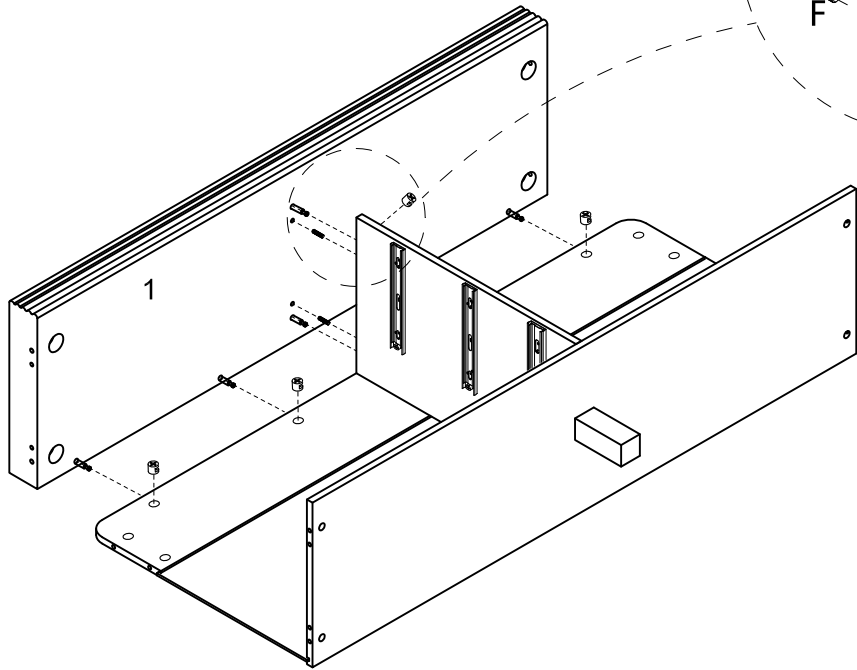
STEP 3



STEP 4



STEP 5

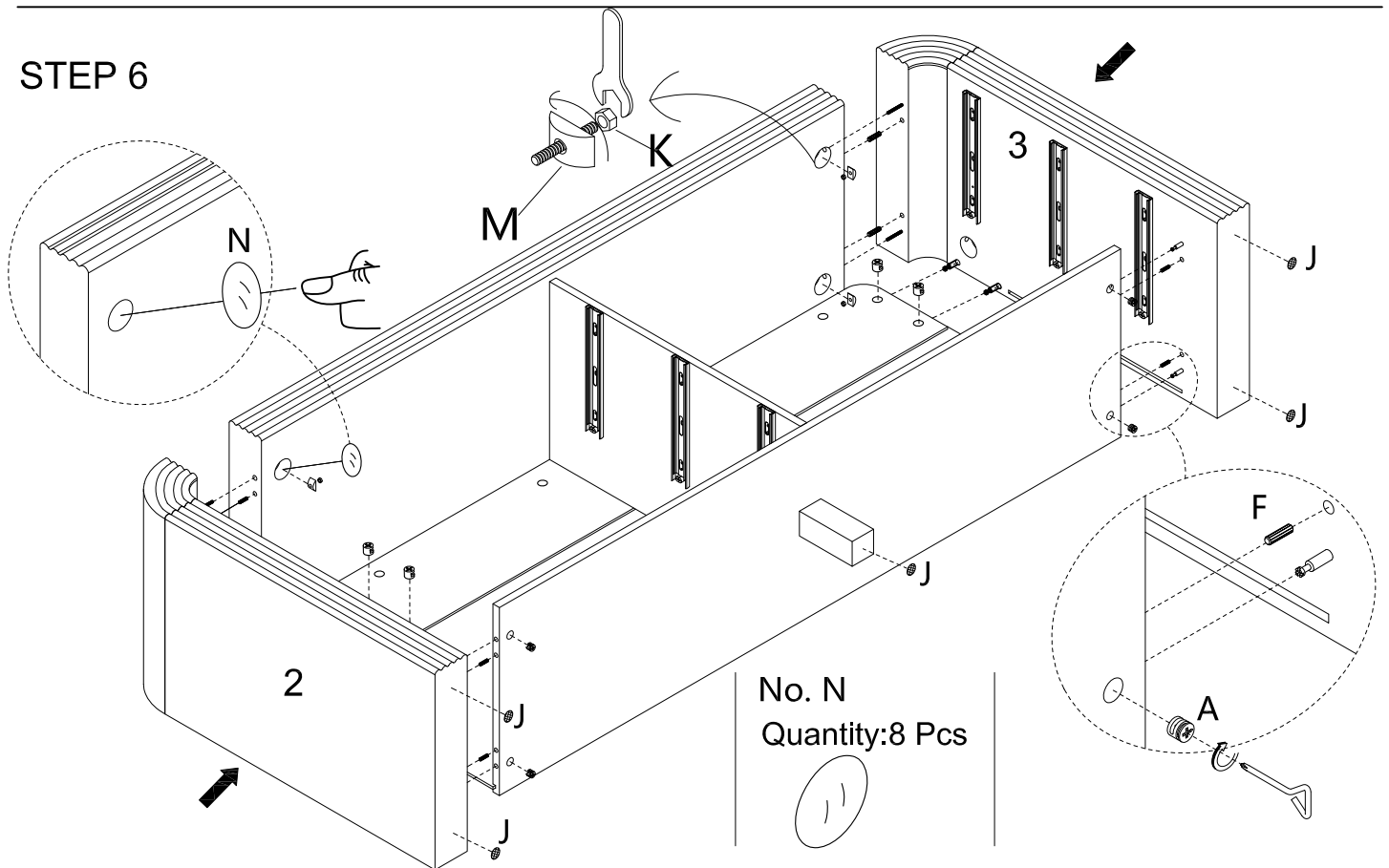


No. A
Quantity:6 Pcs

No. F
Quantity:2 Pcs



STEP 6



No. N
Quantity:8 Pcs

No. A
Quantity:8 Pcs

No. F
Quantity:8 Pcs

No. J
Quantity:5 Pcs

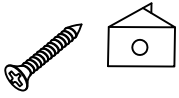
No. K
Quantity:4 Pcs

No. M
Quantity:4 Pcs



STEP 7

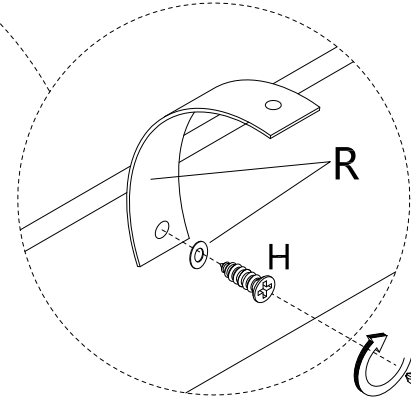
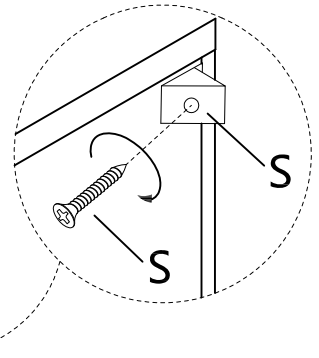
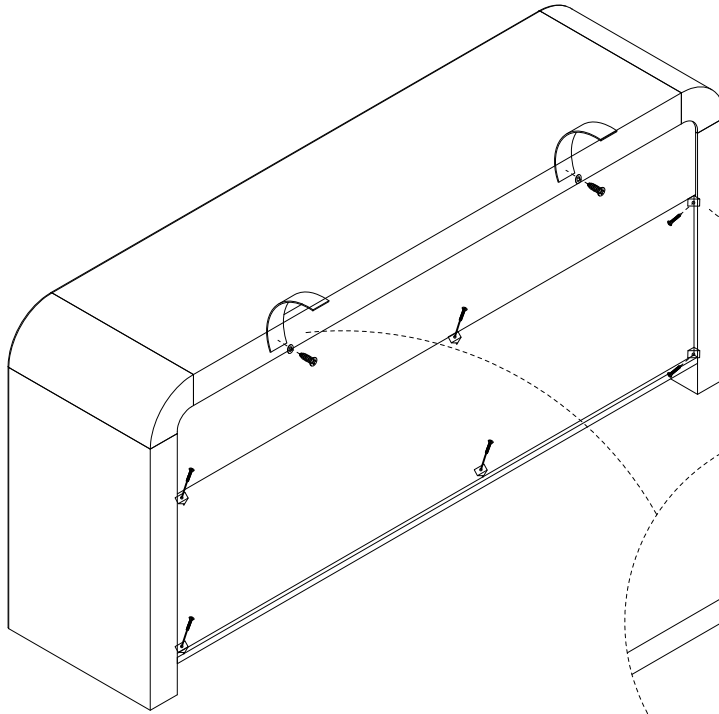
No. S
Quantity:6 Pcs



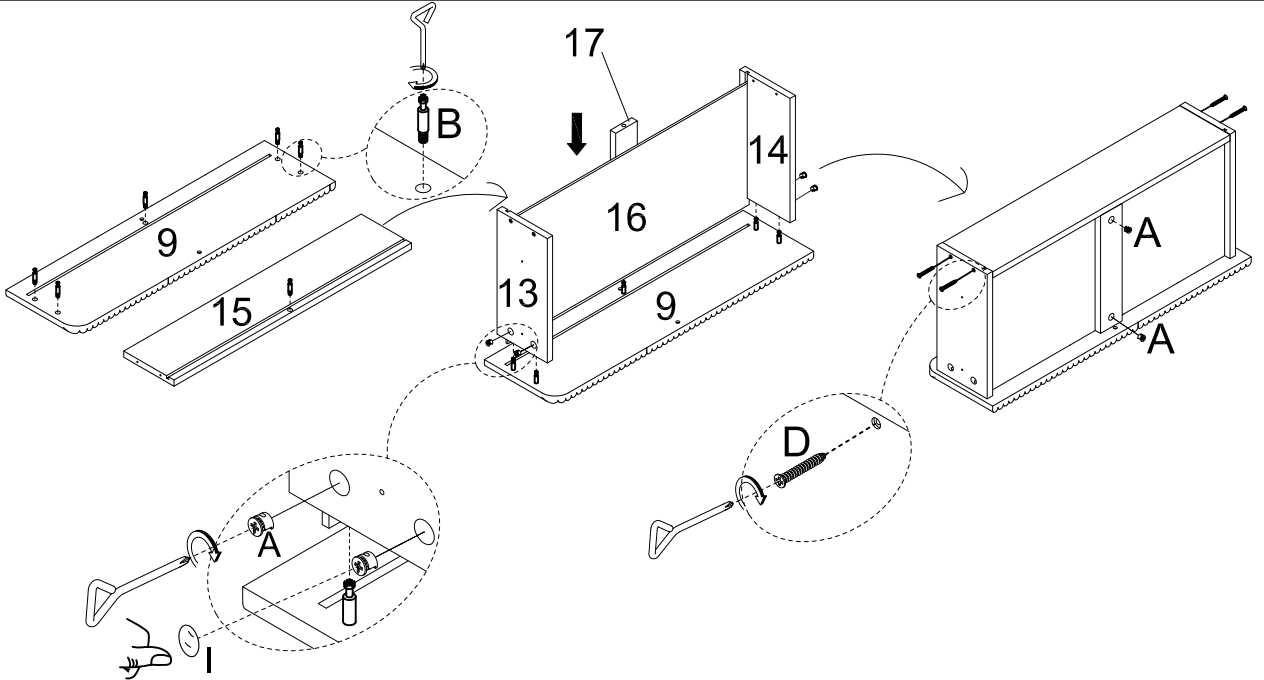
No. H
Quantity:2 Pcs



No. R
Quantity:2 Pcs



STEP 8



No. A
Quantity:36Pcs



No. B
Quantity:36Pcs



No. D
Quantity:24Pcs

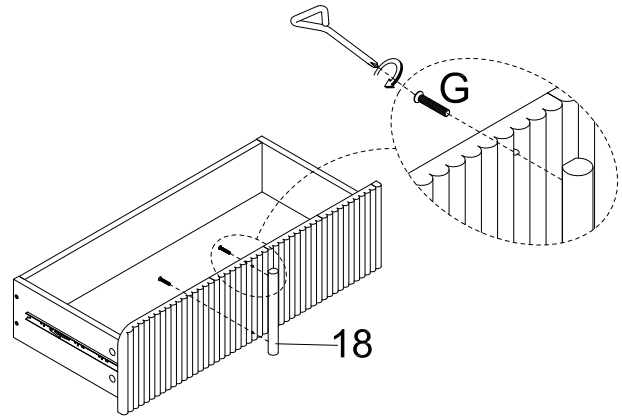
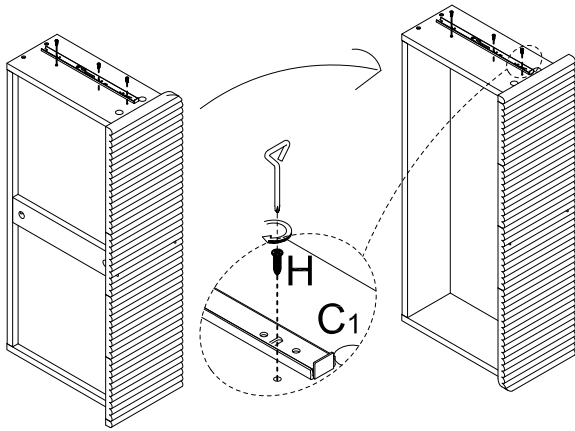
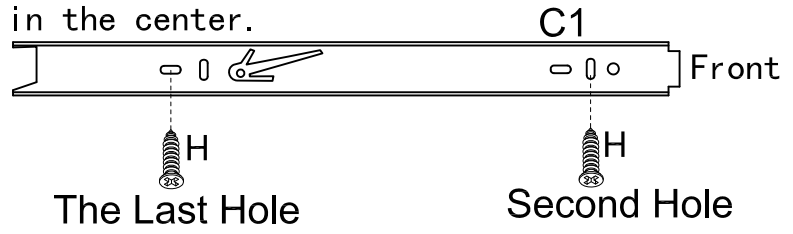


No. I
Quantity:36Pcs



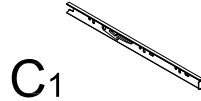
STEP 9

NOTE: Please through the hole in the center.



All drawers assemble handle & slider in the same way.

No. C
Quantity: 12Pcs



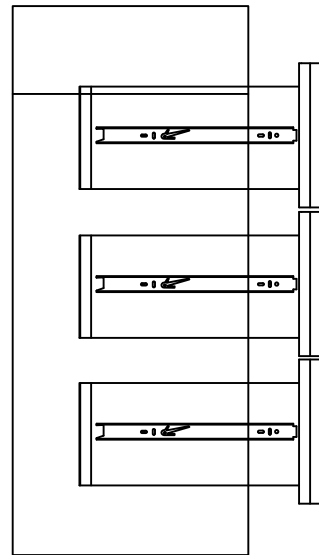
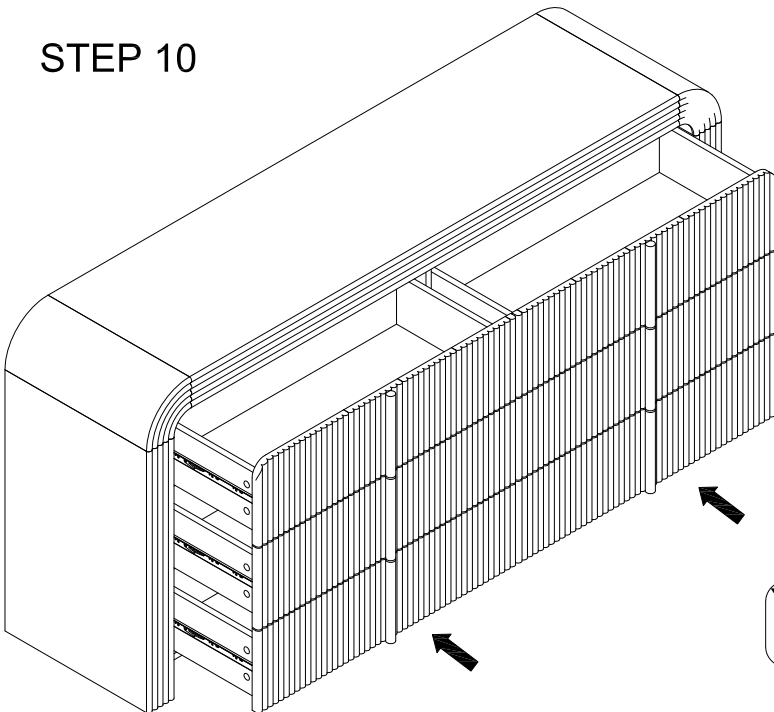
No. H
Quantity: 36Pcs



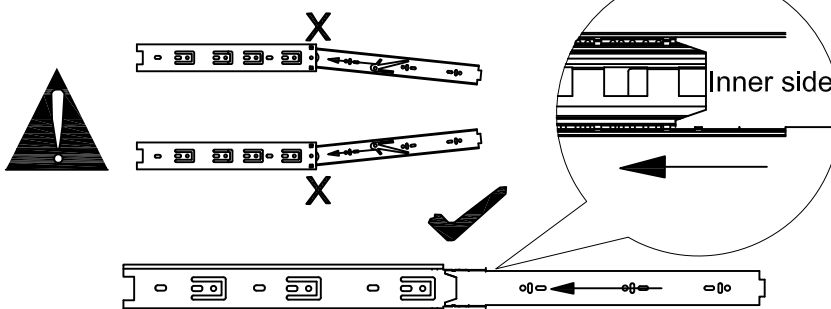
No. G
Quantity: 12Pcs



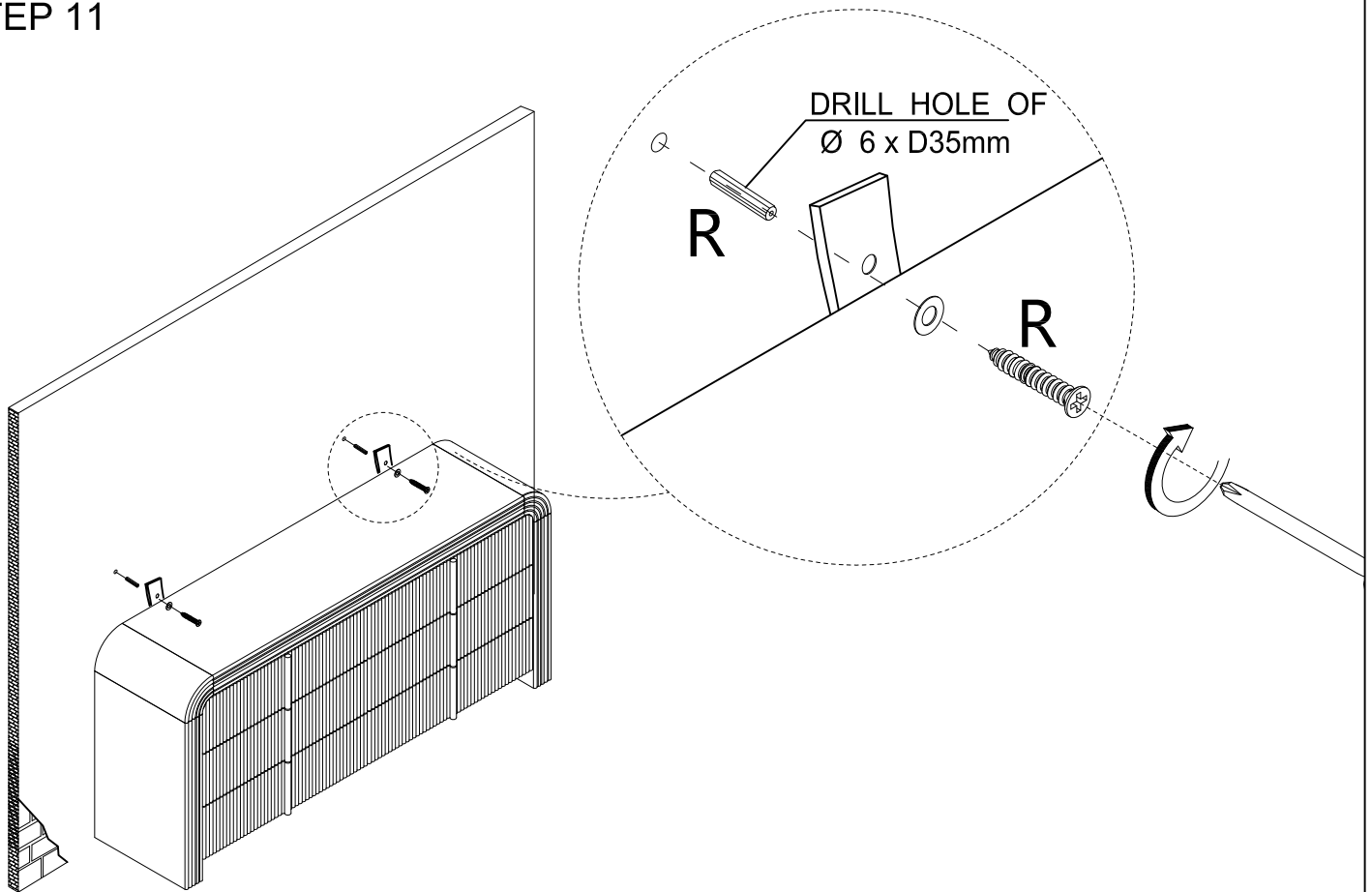
STEP 10



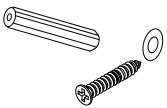
You can adjust this screw to let the drawer up or down.



STEP 11



No. R
Quantity: 2 Pcs



TOPPLING FURNITURE WARNING:

- It is strongly recommended that this product is permanently fixed to the wall.
- Please seek professional advice if you are in doubt of what fixing device to use.
- Regularly check that anchors are securely maintained.
- Stability of tall items may be affected by thick pile carpet or uneven floors .
- Do not place unanchored televisions on furniture .

CAUTION: for your safety when attaching the anchor fixings, please note the following:

- Check any electrical wires or plumbing inside the wall before drilling any holes (if you are unsure please seek professional advice from a qualified tradesperson).



WARNING: PLEASE SECURE YOUR FURNITURE WITH THE SUPPLIED WALL FIXING. SCAN THE CODE FOR MORE INFORMATION.



lifely.com.au

Great job. You're done!

Don't forget to share how it looks in
your space and tag us on Instagram.

@lifelyhome #homewithlifely!